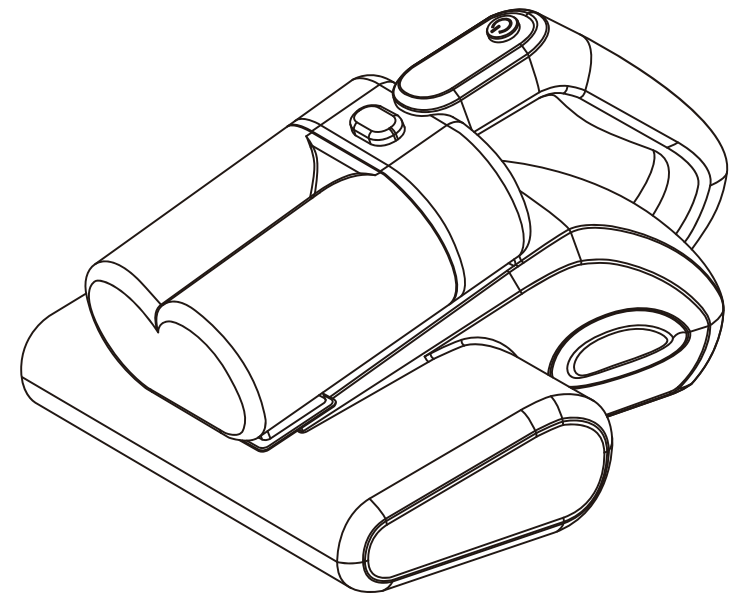


# INSTRUCTION MANUAL

Anti-mite Vacuum Cleaner

MODEL NO: DY-6005



Please read this guide before you start and keep it handy for future use.

*Customer Support*

**Thank you for choosing our product!**

If you have any questions or need assistance with your device,  
please contact our customer support team:  
**Email:** [jikeyunshang@outlook.com](mailto:jikeyunshang@outlook.com) (Available 24/7)

You can also contact our **Customer Service Online**  
at any time for further assistance.

**We truly appreciate your trust and support.**

## Safety Warning & Advice

### IMPORTANT

- This device is not safe for children or those with sensory or cognitive challenges unless they are closely supervised by someone who can ensure their safety.
- This product has a strong UV light that can damage fabrics or floors if left in one spot for over 5 seconds. Handle the UV light with care to prevent harm or damage.

### GENERAL USAGE

This product is designed for **HOME use only**.

**DO NOT** use this appliance in any way other than described in this manual.

**ONLY** use the attachments recommended in this manual.

**IF** you lend the appliance to a third party, please pass on these usage instructions.

**No liability is accepted** for damage caused by improper use or failure to follow safety instructions.

### SAFETY DURING OPERATION

**DO NOT** vacuum **animals, humans, or plants** with this appliance.

**DO NOT** touch or look directly at the UV-C lamp during or after operation.

The UV light can harm eyes and skin, and the lamp may remain hot after use.

If discomfort occurs, seek medical advice immediately.

**DO NOT** let the UV Ultra Vac come into contact with **sharp objects or liquids**.

**DO NOT** vacuum flammable or combustible materials, such as petrol, paraffin, cigarettes, matches, or hot ashes.

**DO NOT** use outdoors or on wet surfaces.

**KEEP** hair, loose clothing, fingers, and any other body parts away from any openings and the UV light.

**TURN OFF** the appliance before unplugging from the mains.

### ELECTRICAL SAFETY

**DO NOT** operate if the power cable is wet.

**DO NOT** unplug the appliance by pulling on the power cord.

**DO NOT** leave the appliance plugged in when unattended. Always unplug it when not in use and keep it out of reach of children.

**DO NOT** attempt to repair the appliance yourself. If it is damaged, contact qualified technicians or the local after-sales service.

## MAINTENANCE AND CARE

**DO NOT** use the appliance without the **dust container** and/or the **filters** in place.

**Keep** the air vents and UV-C safety lamp sensors clear of **lint, dust, or obstructions** to ensure proper operation.

**DO NOT** cover or obstruct any of the UV-C safety lamp sensors.

## HANDLING AND DURABILITY

**DO NOT** drop the product, as this may cause damage to the appliance or UV lamp.

**DO NOT** use the appliance if it has been dropped, damaged, left outside, or exposed to water.

Contact your local after-sales service for assistance with repairs.

**This is a class II appliance, which means it is double insulated for your protection.**

**NOTE:** If you have a sensitive skin complaint, please consult your doctor before using the appliance.

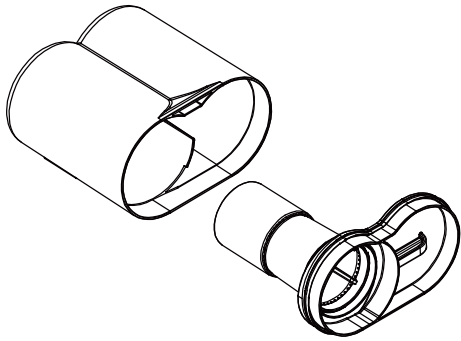
## Trouble Shooting

Symptom	Possible cause	Solution
Poor suction	Blocked filter Dust container is full	Clean the filter Empty dust container
UV light not activated	Handheld vacuum not properly attached to the unit base	Ensure the handheld vacuum is securely locked in place
No function	Motor overheated (temperature exceeds 105°C)	Unplug the machine, let it cool for 30 minutes, then restart

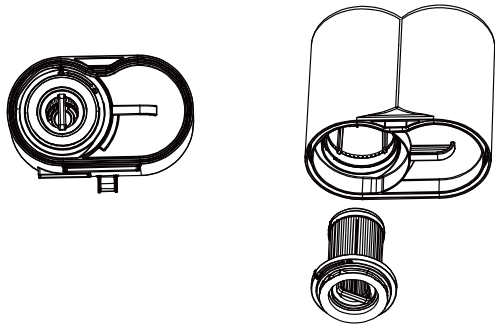
## Technical Details

Voltage	Power	UV Lamp Power	UV Wavelength
110-120V~	600W	5mW	270-280nm

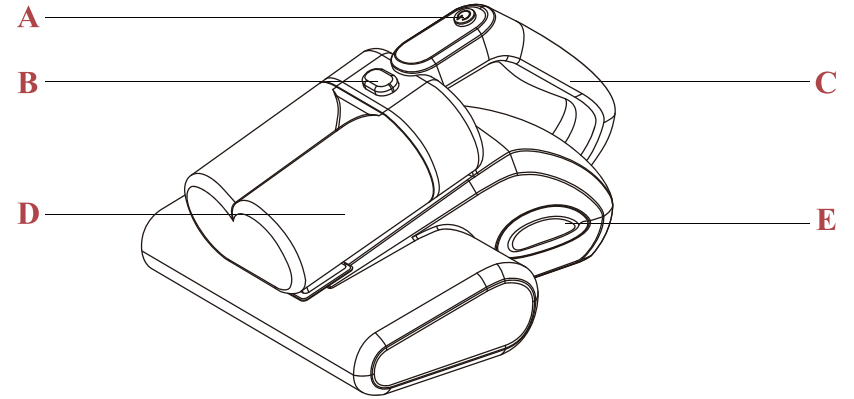
3. Remove the filter assembly and empty the dust into a waste bin.



4. If cleaning is required, unscrew the top cover of the HEPA filter for easy removal and cleaning.

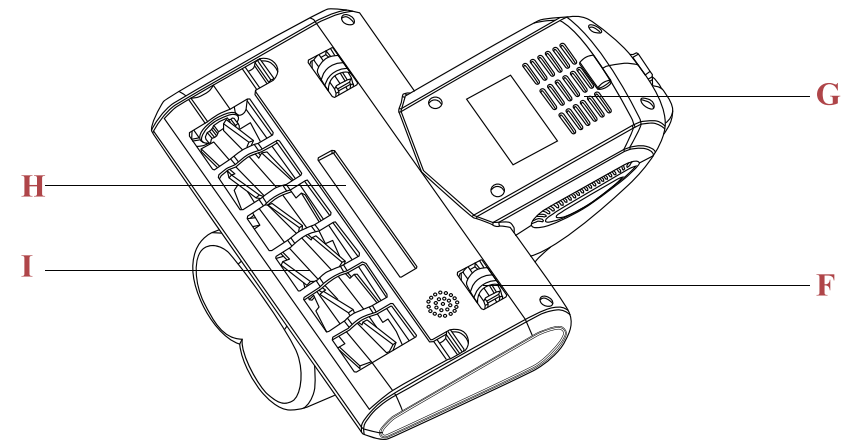


## Get to Know Your Device



**A.** Power switch    **B.** Dust cup release    **C.** Handle

**D.** Dust container    **E.** Air outlet



**F.** Swivel wheel    **G.** Heat outlet    **H.** UV lamp

**I.** Air inlet

## Product Features

This UV lamp kills 99.9% of bacteria and effectively removes mites from mattresses, sofas, curtains, carpets, and pet beds. It's perfect for allergy sufferers looking for a cleaner, healthier home.

## Getting Started

- ① Plug the device into a power outlet.
- ② Place it on fabrics such as mattresses, sofas, curtains, or carpets that need cleaning.
- ③ Press the on/off switch to start using the machine.

## Important Safety Instructions

- ① Prolonged exposure to the UV lamp can be harmful.
- ② Do not manually override the UV safety switches (two small wheels).
- ③ Avoid picking up large or sharp objects, as they can damage the device.
- ④ Do not pick up fine dust like plaster or cement, as it may block the filter.

## Cleaning Instructions

To maximize the UV lamp's effectiveness against dust mites and bacteria, follow these steps:

- ① Start at one corner of the mattress.
- ② Press the unit flat against the cleaning surface.
- ③ Ensure all UV safety switches are in contact with the surface for the lamp to activate.
- ④ Move the unit in a smooth, steady motion.
- ⑤ For double beds, clean one side at a time.
- ⑥ Move the vacuum slowly, taking at least 20 seconds per meter, and repeat the process 3 times.
- ⑦ Clean both sides of the mattress whenever possible.
- ⑧ Use a similar method for bedding like duvets and pillows.
- ⑨ For used mattresses: Clean daily for the first 7 days, then once a month.  
For new mattresses: Cleaning once a month is sufficient.
- ⑩ When cleaning carpets, follow the same method.

# Maintenance and Care

## Emptying the Dust Container

If you have allergies, follow these steps to minimize dust exposure:

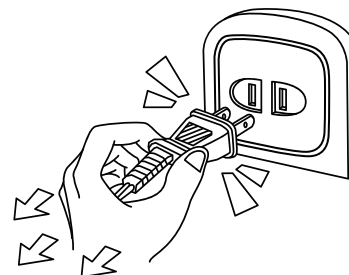
- Place the container in a large bag before emptying it.**
- Seal the bag tightly** around the container, then dispose of it immediately.
- Wear gloves and a face mask** to protect yourself.
- Ask someone without allergies** to handle this task if possible.

## Cleaning Reminder

Regularly empty the dust container and clean the filter after each use to ensure the cleaner performs at its best. Failing to do so may reduce its effectiveness.

## Steps to Empty the Dust Container and Clean the Filter

1. Disconnect the device from the power supply.



2. Press the dust container lock button to release the container from the unit.

