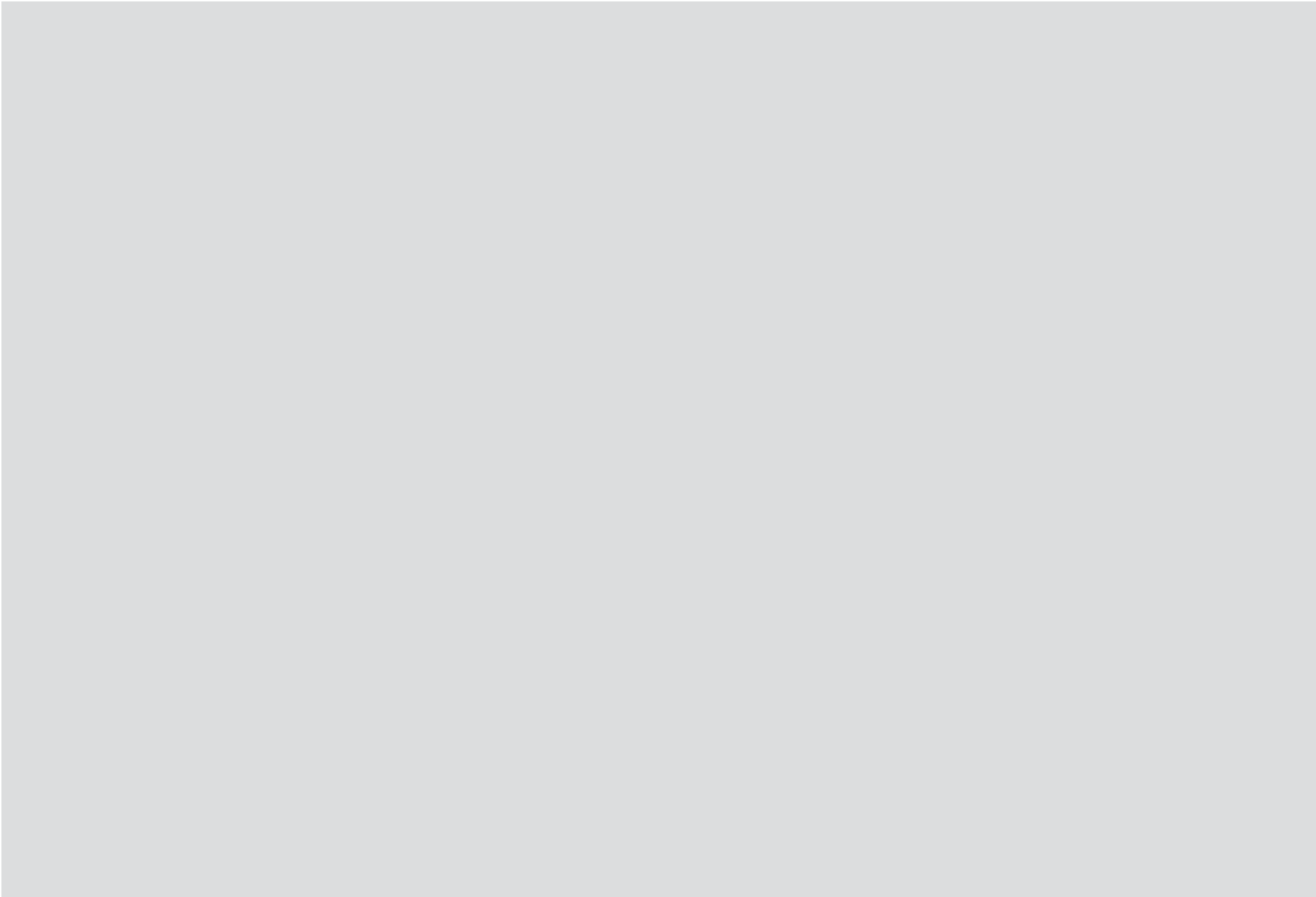


# KICHLER®

13" EYRIE™

Product images may vary slightly from actual product.

INSTRUCTION MANUAL



# TABLE OF CONTENTS

SAFETY RULES.....	4	INSTALLING THE LED LAMPS.....	14
TOOLS REQUIRED.....	5	INSTALLING THE BATTERIES.....	15
PACKAGE CONTENTS.....	5	OPERATING INSTRUCTIONS.....	15
MOUNTING OPTIONS.....	6	INSTALLING THE WALL CONTROL SYSTEM WALL PLATE.....	17
HANGING THE FAN.....	7	OPERATION INSTRUCTIONS.....	18
INSTALLATION OF SAFETY SUPPORT.....	10	TROUBLESHOOTING.....	19
ELECTRICAL CONNECTIONS.....	11		
FINISHING THE INSTALLATION.....	13		

# SAFETY RULES

## **CAUTION-RISK OF FIRE CONSULT A QUALIFIED ELECTRICIAN TO ENSURE CORRECT BRANCH CIRCUIT CONDUCTOR.**

1. To reduce the risk of electric shock, insure electricity has been turned off at the circuit breaker or fuse box before beginning.
2. All wiring must be in accordance with the National Electrical Code and local electrical codes. Electrical installation should be performed by a qualified licensed electrician.
3. **WARNING:** Not suitable for use with solid-state speed controls.
4. **WARNING:** To reduce the risk of fire, electric shock, or personal injury, mount to outlet box marked "acceptable for fan support of 15.8 kg (35 lbs.) or less" and use mounting screws provided with the outlet box. Most outlet boxes commonly used for the support of light fixtures are not acceptable for fan support and may need to be replaced. Due to the complexity of the installation of this fan, a qualified licensed electrician is strongly recommended.

## **WARNING: TO REDUCE THE RISK OF FIRE, ELECTRIC SHOCK OR PERSONAL INJURY, MOUNT FAN TO OUTLET BOX MARKED "ACCEPTABLE FOR FAN SUPPORT".**

5. The outlet box and support structure must be securely mounted and capable of reliably supporting a minimum of 50 pounds. Use only CUL Listed outlet boxes marked "FOR FAN SUPPORT".
6. The fan must be mounted with a minimum of 10 feet clearance from the trailing edge of the blades to the floor.
7. Avoid placing objects in the path of the blades.

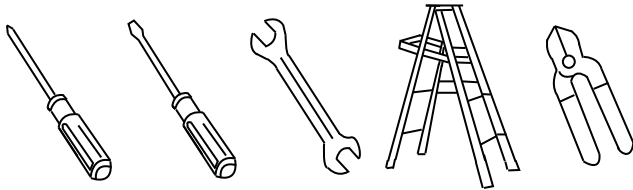
8. To avoid personal injury or damage to the fan and other items, be cautious when working around or cleaning the fan.
9. Do not use water or detergents when cleaning the fan or fan blades. A dry dust cloth or lightly dampened cloth will be suitable for most cleaning.
10. After marking electrical connections, spliced conductors should be turned upward and pushed carefully up into outlet box. The wires should be spread apart with the grounded conductor and the equipment-grounding conductor on one side of the outlet box.
11. Electrical diagrams are reference only. Light kits that are not packed with the fan must be CUL Listed and marked suitable for use with the model fan you are installing. Switches must be CUL General Use Switches. Refer to the Instructions packaged with the light kits and switches for proper assembly.

## **WARNING: TO REDUCE THE RISK OF PERSONAL INJURY, DO NOT BEND THE BLADE BRACKETS (ALSO REFERRED TO AS FLANGES) DURING ASSEMBLY OR AFTER INSTALLATION. DO NOT INSERT OBJECTS IN THE PATH OF THE BLADES.**

**Special Notice:** This appliance is equipped with a "Wattage Limiting Device" required by the United States Department of Energy. The device has been installed at the factory and can not be removed. Installing Lamps in excess of 75 total watts will disable the units light fixture. If this should happen, you will need to reset the lighting fixture by turning the power off to the ceiling fan and/or light fixture, reinstalling lamps totaling less than 75 watts and then turning the power back on.

## TOOLS REQUIRED

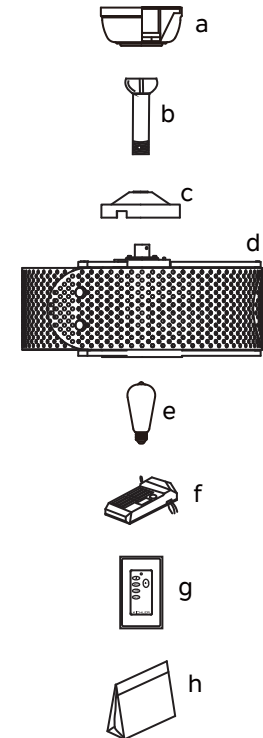
Philips screw driver  
Blade screw driver  
11 mm wrench  
Step ladder  
Wire cutters



## PACKAGE CONTENTS

Unpack your fan and check the contents. You should have the following items:

- a. Canopy & Ceiling mounting bracket
  - b. Ball/downrod assembly
  - c. Coupling cover
  - d. Fan motor assembly
  - e. 7 Watt E26, LED Lamp (3)
  - f. Receiver
  - g. Wall Transmitter
  - h. Part bag contents
- 1) Mounting hardware:  
wood screws (2), flat washers (2),  
star washers (2), lock washers (2),  
wire nuts (3), screws (2)
- 2) Safety cable hardware:  
wood screw, spring washer,  
flat washer



# MOUNTING OPTIONS

If there isn't an existing UL (cUL for Canadian Installation) listed mounting box, then read the following instructions. Disconnect the power by removing fuses or turning off circuit breakers.

Secure the outlet box directly to the building structure. Use appropriate fasteners and building materials. The outlet box and its support must be able to fully support the moving weight of the fan (at least 50 lbs). Do not use plastic outlet boxes.

Figures 1, 2 and 3 are examples of different ways to mount the outlet box.

**NOTE:** If you are installing the ceiling fan on a sloped (vaulted) ceiling, you may need a longer downrod to maintain proper clearance between the tip of the blade and the ceiling. A minimum clearance of 12" is suggested for optimal operation.

**NOTE:** Depending on the location you have selected for installation, you may need to purchase and install a "Joist Hanger" for the support of the outlet box. Make sure the joist hanger you purchase has been designed for use with ceiling fans. (Fig. 4)

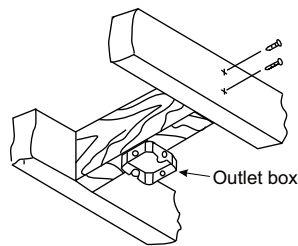


Fig. 1

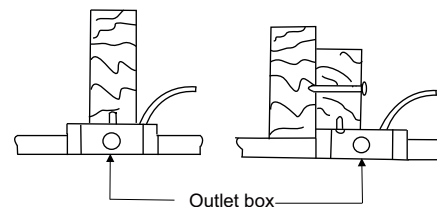


Fig. 2

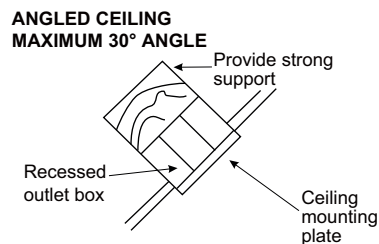


Fig. 3

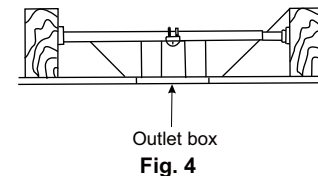


Fig. 4

# HANGING THE FAN

**REMEMBER** to turn off the power before you begin.

To properly install your ceiling fan, follow the steps below.

Step 1. Remove the decorative canopy bottom cover from the canopy by turning the cover counter clockwise. (Fig. 5)

Step 2. Remove the ceiling mounting bracket from the canopy by removing (and save one of the two screws. Loosen the remaining screw by a half turn. (Fig. 5)

Step 3. Pass the 120 volt supply wires from the ceiling outlet box through the center of the ceiling mounting bracket. (Fig. 6)

Step 4. Attach the ceiling mounting bracket to the outlet box using the screws and washers included with the outlet box. (Fig. 6)

Step 5. Remove the hanger ball from the downrod assembly by loosening the set screw, unscrewing and removing the cross pin and unscrewing the ball off the rod. (Fig. 7)

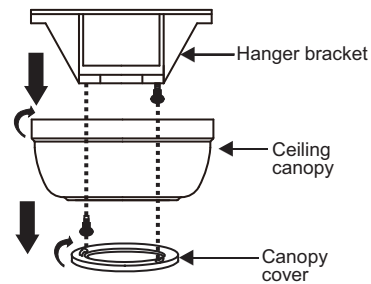


Fig. 5

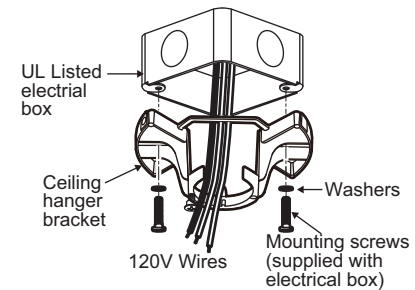


Fig. 6

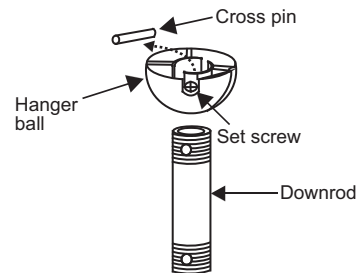


Fig. 7

## HANGING THE FAN (continued)

Step 6. Loosen the two set screws and remove the hitch pin and retaining clip from the coupling on top of the motor assembly. (Fig. 8)

Step 7. Carefully feed the electrical lead wires from the fan up through the downrod. Thread the downrod into the coupling until the Hitch pin holes are aligned.

Next, replace the hitch pin and retaining clip. Tighten both set screws. (Fig. 8)

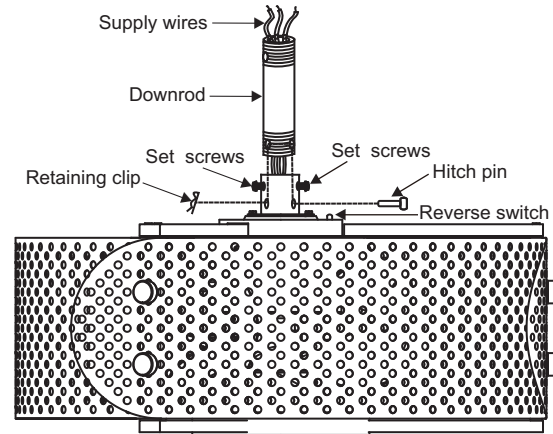


Fig. 8

## HANGING THE FAN (continued)

Step 8. Slip the coupling cover, canopy cover and canopy onto the downrod. (Fig. 9)

Thread the hanger ball onto the downrod, insert the cross pin through the downrod and tighten. Now tighten the set screw.

Step 9. Lift the motor assembly into position and place the hanger ball into the ceiling mounting bracket. (Fig. 10)

Rotate the entire assembly until the "Check Tab" has dropped into the "Registration Slot" and seats firmly. (Fig. 10)

The entire motor assembly should not rotate (left or right) when seated properly.

**WARNING:** Failure to reattach the cross pin and seat the "Check Tab" can cause the fan to fall from the ceiling during operation. Take special care to make sure this pin is reattached.

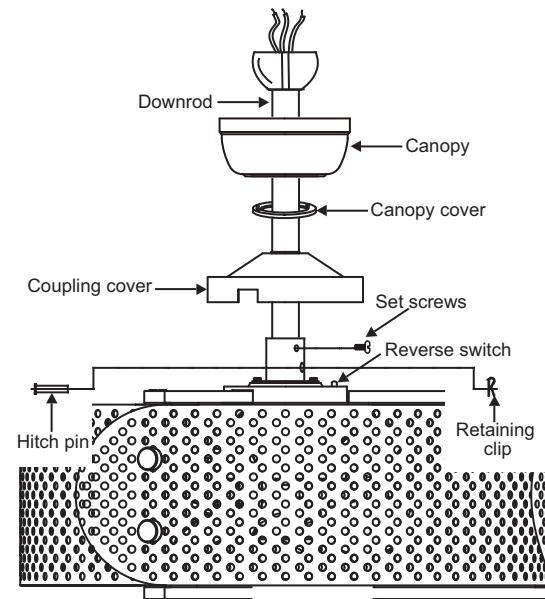


Fig. 9

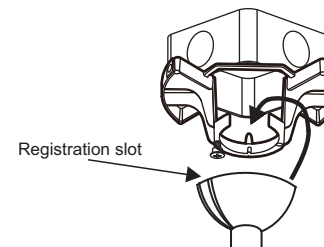


Fig. 10

## INSTALLATION OF SAFETY SUPPORT (required for Canadian installation ONLY)

A safety support cable is provided to help prevent the ceiling fan from falling.

Step 1. Attach the provided wood screw and washers to the ceiling joist next to the mounting bracket but do not tighten. (Fig. 11)

Step 2. Adjust the length of the safety cable to reach the screw and washers by pulling the extra cable through the cable clamp until the overall length is correct, put the end of the cable back through the cable clamp, forming a loop at the end of the cable. Tighten the cable clamp securely. Now, put the loop in the end of the safety cable over the wood screw and under the washer. Tighten the wood screw securely.

**NOTE:** Although the safety support cable is required for Canadian installations only. It's a good idea to make the attachment with any installation.

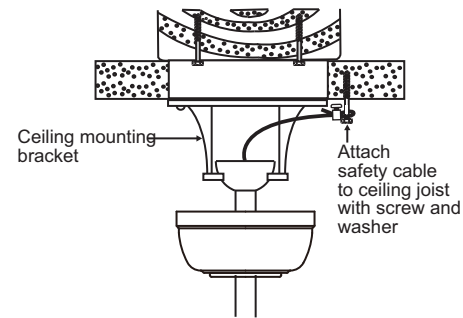


Fig. 11

# ELECTRICAL CONNECTIONS

**WARNING:** To avoid possible electrical shock, be sure you have turned off the power at the main circuit panel.

Follow the steps below to connect the fan to your household wiring. Use the wire connecting nuts supplied with your fan. Secure the connectors with electrical tape. Make sure there are no loose wire strands or connections.

**NOTE:** The CoolTouch™ Control System is equipped with 16 possible frequency combinations to prevent interference from or with other remote control units. The frequency switches on your receiver and transmitter have been preset at the factory. Please recheck to make sure the switches on transmitter and receiver are set to the same position, any combination of settings will operate the fan as long as the transmitter and receiver are set to the same position. (Fig. 12)

Step 1. Insert the receiver into the ceiling mounting bracket with the flat side of the receiver facing the ceiling. (Fig. 13) For best performance, make sure the Black Antenna, on the end of the receiver, remains extended and not tangled with any of the electrical wires.

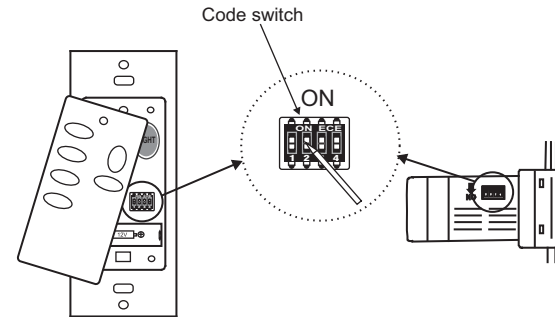


Fig. 12

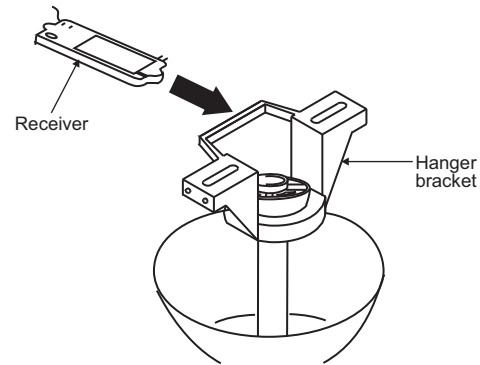


Fig. 13

## ELECTRICAL CONNECTIONS (continued)

Step 2. Motor to Receiver Electrical Connections: (Fig. 14) Connect the black wire from the fan to the black wire marked "TO MOTOR L" on the receiver. Connect the white wire from the fan to the white wire marked "TO MOTOR N" on the receiver. Connect the blue wire from the fan to the blue wire marked "FOR LIGHT" on the receiver. Secure all the wire connections with the plastic wire nuts provided.

Step 3. (Fig. 14) Receiver to House Supply Wires Electrical Connections: Connect the black (hot) wire from the ceiling to the black wire marked "AC in L" from the receiver. Connect the white (neutral) wire from the ceiling to the white wire marked "AC in N" from the Receiver. Secure the wire connections with the plastic wire nuts provided.

Step 4. (Fig. 14) If your outlet box has a ground wire (green or bare copper) connect it to the fan ground wires; otherwise connect the hanging bracket ground wire to the mounting bracket. Secure the wire connection with a plastic nut provided. After connecting the wires, spread them apart so that the green and white wires are on one side of the outlet box and black and blue wires are on the other side. Carefully tuck the wire connections up into the outlet box.

**Note:** Fan must be installed at a maximum distance of 30 feet from the CoolTouch™ Remote Transmitter for optimal signal transmission between the transmitter and the fan's receiving unit.

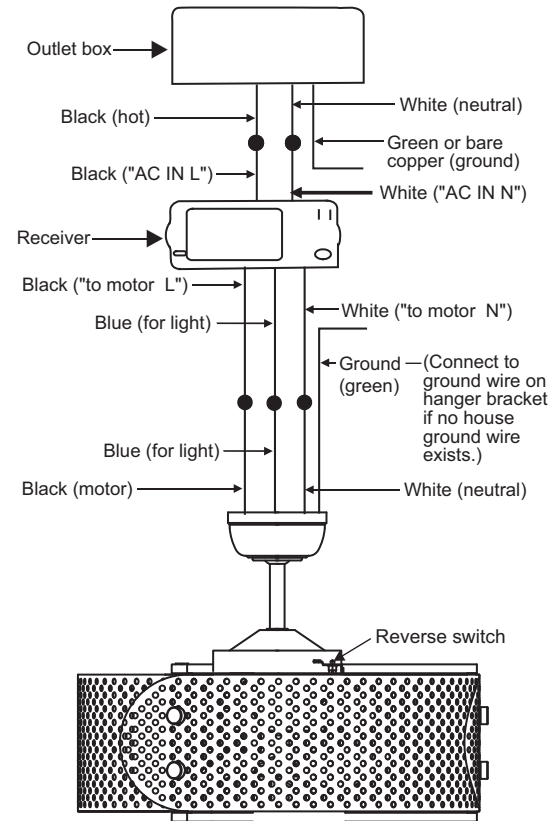


Fig. 14

## FINISHING THE INSTALLATION

Step 1. Tuck all the connections neatly into the ceiling outlet box.

Step 2. Slide the canopy up to the mounting bracket and place one of the key hole slots over the mounting screw on the mounting bracket. Rotate the canopy until the screw head locks in place at the narrow section of the key hole. See figure 15.

Step 3. Align the remaining circular hole on the canopy with the remaining hole on the Ceiling Mounting Bracket. Insert and tighten the mounting screw you removed earlier and the mounting screw from Step 2 above. Now, attach the canopy cover to the mounting screw heads by inserting the screw heads into the bottom side of the canopy cover and rotating the cover clockwise.

**NOTE:** Adjust the canopy screws as necessary until the canopy and canopy cover are snug. (Fig. 15)

**WARNING:** Make sure the "Check Tab" at the bottom of the hanger bracket is properly seated in the "Registration Slot" on the side of the hanger ball before attaching the canopy to the bracket. Failure to properly seat the "Check Tab" could damage the electrical wires when to ceiling fan blade direction is changed while the fan is running.

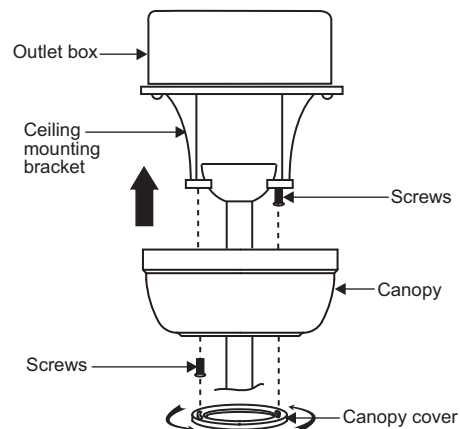
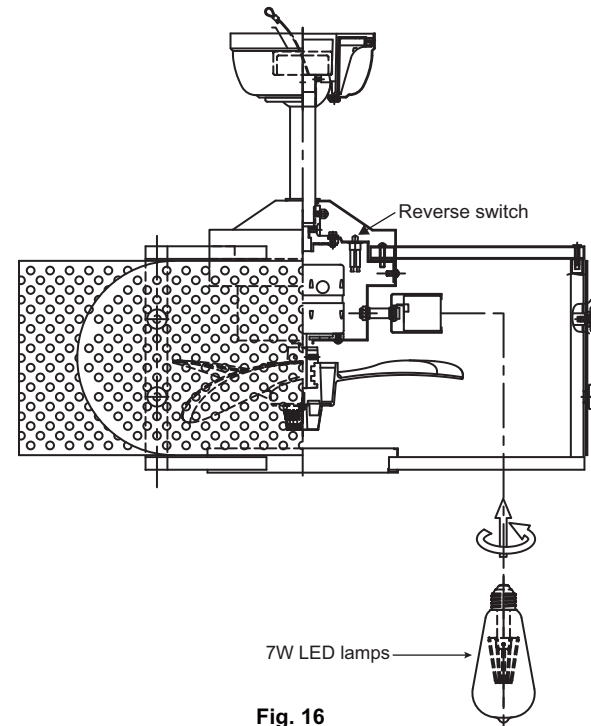


Fig. 15

## INSTALLING THE LED LAMPS

**NOTE:** Before starting installation, disconnect the power by turning off the circuit breaker or removing the fuse at fuse box.

Install 4, 7 Watt, E-26 LED lamps (included).



**Fig. 16**

## INSTALLING THE BATTERIES

Remove the face plate of the Wall Switch by lifting at the top and then insert the supplied 12V battery. Duracell MN21/Eveready A23/GP 23A all 12V.

Replace the switch face plate.

To prevent possible damage to the transmitter, remove these batteries if not used for long periods of time (months).

## OPERATING INSTRUCTIONS

HI Button = High Speed  
MED Button = Medium Speed  
LOW Button = Low Speed  
FAN OFF Button = Motor Off  
Light Button = the "LIGHT" button turns the light ON or OFF and also controls the brightness setting. (Fig. 18)

Press and hold either button to set the desired brightness level. The next time you turn the light on, the system will remember this setting.

Press and release either button to turn the light ON or OFF.

This control system is NOT designed to "Reverse" the rotation of the blades. To set the fan blades in reverse, the reverse slide switch is located on the top of the motor housing.

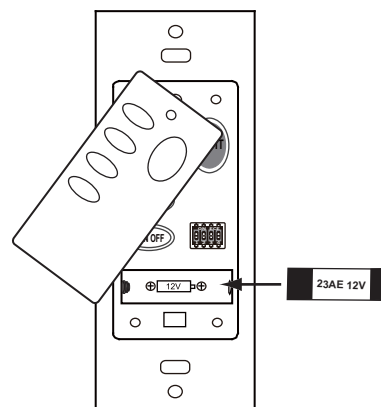


Fig. 17

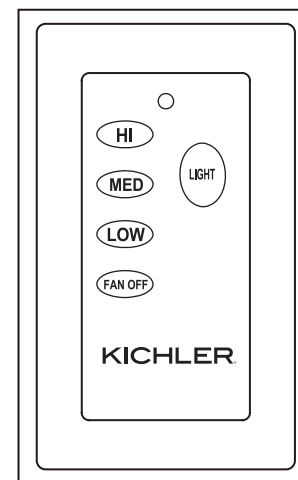


Fig. 18

# INSTALLING THE BASIC FUNCTION WALL CONTROL SYSTEM WALL PLATE

Select a location to install the Basic Function Wall Control System Transmitter and Wall Plate.

Install the wall plate using an existing wall switch outlet box. Make sure the electrical power is TURNED OFF at the main panel before continuing.

Step 1. Remove the existing wall plate and the old switch from the wall outlet box. Wire nut the BLACK leads (hot) together and push back inside the outlet box. (Fig. 19)

Step 2. Install the wall plate on the existing wall outlet box using the screws provided. (Fig. 20)

After installing the wall anchors, attached the wall plate with the mounting screws to finish the installation.

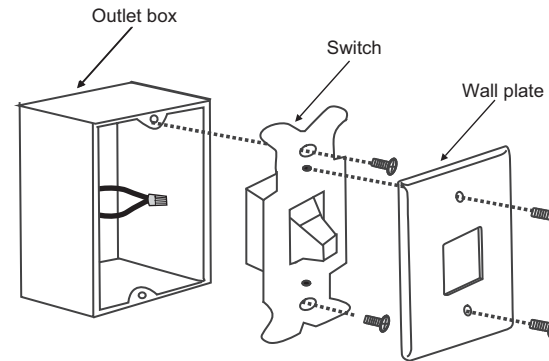


Fig. 19

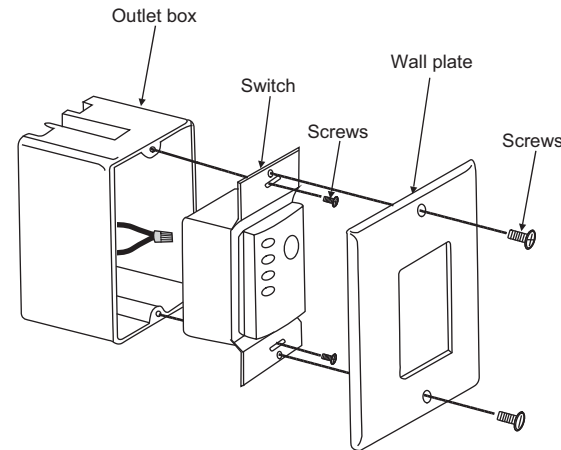


Fig. 20

# OPERATING INSTRUCTIONS

**NOTE:** This control system is NOT designed to "Reverse" the rotation of the blades. To set the fan blades in reverse, the reverse slide switch is located on the top of the motor housing (inside the coupler cover as show in Fig. 21).

Warm weather - Forward (counter clockwise) A downward airflow creates a cooling effect as shown in Fig. 22. This allows you to set your air conditioner on a warmer setting without affecting your comfort.

Cool weather - Reverse (clockwise) An upward airflow moves warm air off the ceiling area as shown in Fig. 23. This allows you to set your heating unit on a cooler setting without affecting your comfort.

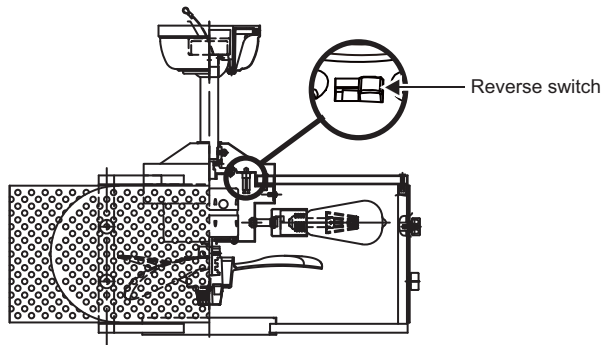


Fig. 21

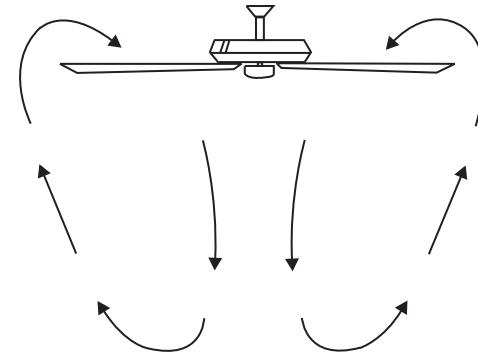


Fig. 22

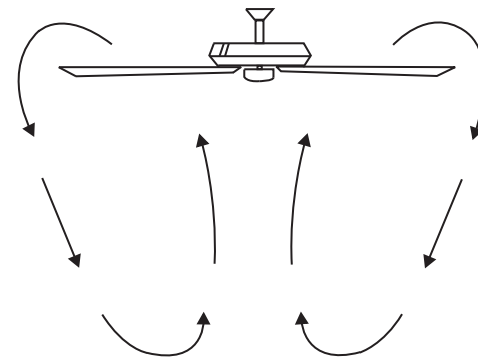


Fig. 23

# TROUBLESHOOTING

Problem	Solution
Fan will not start.	<ol style="list-style-type: none"><li>1. Check circuit fuses or breakers.</li><li>2. Check all electrical connections to insure proper contact.</li></ol> <p><b>CAUTION:</b> Make sure the main power is OFF when checking any electrical connection.</p>
Fan sounds noisy.	<ol style="list-style-type: none"><li>1. Make sure all motor housing screws are snug.</li><li>2. Make sure the screws that attach the fan blade brackets to the motor are tight.</li><li>3. Make sure wire nut connections are not rubbing against each other or the interior wall of the switch housing.</li></ol> <p><b>CAUTION:</b> Make sure main power is off.</p> <ol style="list-style-type: none"><li>4. Allow a 24-hour "breaking-in" period. Most noise associated with a new fan disappear during this time.</li><li>5. If using an optional light kit, make sure the screws securing the glassware are tight. Make sure the light bulbs are not touching any other component.</li><li>6. Do not connect this fan to wall mounted variable speed control(s). they are not compatible with ceiling fan motors or remote controls.</li><li>7. Make sure the upper canopy is a short distance from the ceiling. It should not touch the ceiling.</li></ol>
Remote control malfunction.	<ol style="list-style-type: none"><li>1. Ceiling Fans with remote control systems <b>CAN NOT</b> be operated in conjunction with any other control system EXCEPT a basic On/Off wall switch, if desired.</li></ol>



# KICHLER®

[www.kichler.com](http://www.kichler.com)

**KICHLER® LIGHTING**

**7711 EAST PLEASANT VALLEY ROAD P.O. BOX 318010**

**CLEVELAND, OHIO 44131-8010**

**CUSTOMER SERVICE 866.558.5706**

**8:30 AM TO 5:00 PM EST, MONDAY - FRIDAY**

# KICHLER®

13 " EYRIE™

Les images du produit peuvent différer légèrement du produit réel.

MANUEL D'INSTRUCTIONS





# TABLE DES MATIÈRES

LES RÈGLES DE SÉCURITÉ.....	4	INSTALLATION DES LAMPES À DEL.....	14
OUTILS NÉCESSAIRES.....	5	INSTALLATION DES PILES.....	15
CONTENU DU COLIS.....	5	MODE D'EMPLOI.....	15
OPTIONS DE MONTAGE.....	6	INSTALLATION DE LA PLAQUE MURALE DU SYSTÈME DE COMMANDE MURALE .....	17
SUSPENDRE LE VENTILATEUR.....	7	INSTRUCTIONS D'UTILISATION.....	18
INSTALLATION DU SUPPORT DE SÉCURITÉ.....	10	DÉPANNAGE.....	19
CONNECTIONS ELECTRIQUES.....	11		
FIN DE L'INSTALLATION.....	13		

# LES RÈGLES DE SÉCURITÉ

## **MISE EN GARDE - RISQUE D'INCENDIE CONSULTER UN ÉLECTRICIEN QUALIFIÉ POUR ASSURER UN CONDUCTEUR DE CIRCUIT DE BRANCHE APPROPRIÉ.**

1. Avant de commencer, assurez-vous que l'électricité a été coupée au niveau du disjoncteur ou de la boîte à fusibles afin de réduire les risques d'électrocution.
2. Tout le câblage doit être conforme au code électrique national et aux codes électriques locaux. L'installation électrique doit être effectuée par un électricien qualifié et agréé.
3. ATTENTION: Ne convient pas aux commandes de vitesse à semi-conducteurs.
4. ATTENTION: Pour réduire les risques d'incendie, de choc électrique ou de blessures, montez-le sur la boîte de sortie marquée «acceptable pour un support de ventilateur égal à 15,8 kg (35 lb) ou moins» et utilisez les vis de montage fournies avec la boîte de prise de courant. La plupart des boîtes de sortie couramment utilisées pour le support des appareils d'éclairage ne sont pas acceptables pour le support du ventilateur et doivent éventuellement être remplacées. En raison de la complexité de l'installation de ce ventilateur, un électricien qualifié et agréé est fortement recommandé.

## **ATTENTION: AFIN DE RÉDUIRE LES RISQUES D'INCENDIE, D'ÉLECTROCUTION OU DE BLESSURES, montez le ventilateur sur une boîte de sortie portant la mention "acceptable pour le support de ventilateur".**

5. La boîte de sortie et la structure de support doivent être solidement montées et capables de supporter de manière fiable un minimum de 50 livres. Utilisez uniquement des boîtes de sortie répertoriées CUL marquées "POUR SUPPORT DE VENTILATEUR".
6. Le ventilateur doit être monté avec un dégagement minimum de 10 pieds du bord de fuite des pales au sol.
7. Évitez de placer des objets sur le chemin des lames.

8. Pour éviter des blessures ou des dommages au ventilateur et à d'autres objets, soyez prudent lorsque vous travaillez ou nettoyez le ventilateur.

9. N'utilisez pas d'eau ou de détergent pour nettoyer le ventilateur ou ses pales. Un chiffon à poussière sec ou légèrement humide convient à la plupart des travaux de nettoyage.

10. Après avoir repéré les connexions électriques, les conducteurs épissés doivent être tournés vers le haut et poussés avec précaution dans la boîte de sortie. Les fils doivent être écartés avec le conducteur mis à la terre et le conducteur de terre de l'équipement sur un côté du boîtier de prise.

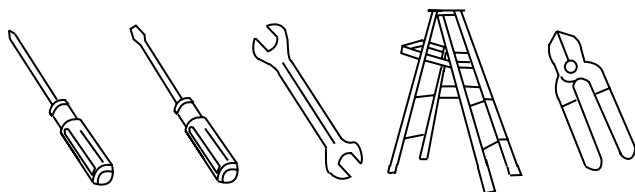
11. Les schémas électriques ne sont que des références. Les kits d'éclairage qui ne sont pas fournis avec le ventilateur doivent être répertoriés dans la liste CUL et porter un marquage approprié pour une utilisation avec le ventilateur modèle que vous installez. Les commutateurs doivent être des commutateurs à usage général CUL. Reportez-vous aux instructions fournies avec les kits d'éclairage et les commutateurs pour un montage correct.

## **ATTENTION: POUR RÉDUIRE LES RISQUES DE BLESSURES CORPORELLES, NE PLIEZ PAS LES SUPPORTS DE LAME (VÉRIFIEZ ÉGALEMENT EN TANT QUE BRIDES) LORS DE L'ASSEMBLAGE OU APRÈS L'INSTALLATION. NE PAS INSÉRER D'OBJETS DANS LE CHEMIN DES LAMES.**

**Avis spécial:** Cet appareil est équipé d'un «dispositif de limitation de la consommation en watts», requis par le ministère de l'Énergie des États-Unis. L'appareil a été installé en usine et ne peut pas être retiré. L'installation de lampes de plus de 75 watts au total désactivera le luminaire de l'appareil. Si cela devait se produire, vous devrez réinitialiser l'appareil d'éclairage en coupant l'alimentation du ventilateur de plafond et / ou de l'appareil d'éclairage, en réinstallant les lampes d'une puissance totale inférieure à 75 watts, puis en les rallumant.

# OUTILS NÉCESSAIRES

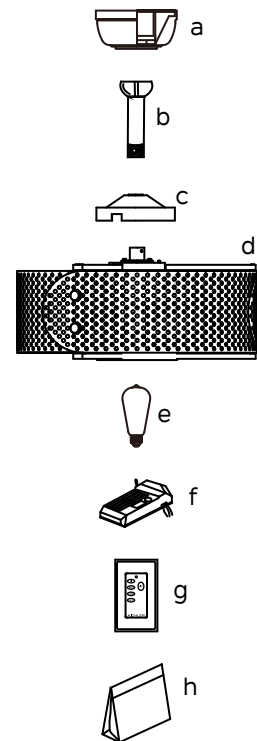
Tournevis Philips  
Tournevis à lame  
Clé de 11 mm  
Escabeau  
Pincés coupantes



# CONTENU DU COLIS

Déballer votre ventilateur et vérifiez le contenu. Vous devriez avoir les éléments suivants:

- a. Support de montage auvent et au plafond
  - b. Assemblage boule / tige
  - c. Couvercle d'accouplement
  - d. Moteur du ventilateur
  - e. 7 watts E26, lampes à LED (3)
  - f. Receveur
  - g. Emetteur mural
  - h. Contenu du sac
- 1) matériel de montage:  
vis à bois (2), rondelles plates (2), rondelles en étoile (2), rondelles-freins (2), écrous à fil (3), vis (2)
- 2) matériel de câble de sécurité:  
vis à bois, rondelle élastique, rondelle plate



# OPTIONS DE MONTAGE

S'il n'y a pas de boîtier de montage répertorié UL (cUL pour les installations au Canada), lisez les instructions suivantes. Déconnectez l'alimentation en retirant les fusibles ou en désactivant les disjoncteurs.

Fixez la boîte de sortie directement à la structure du bâtiment. Utilisez des fixations et des matériaux de construction appropriés. La boîte de sortie et son support doivent pouvoir supporter pleinement le poids en mouvement du ventilateur (au moins 50 lb). Ne pas utiliser de boîtes de sortie en plastique.

Les figures 1, 2 et 3 sont des exemples de différentes manières de monter le boîtier de sortie.

REMARQUE: Si vous installez le ventilateur de plafond sur un plafond incliné (voûté), vous aurez peut-être besoin d'une tige de descente plus longue pour conserver un jeu suffisant entre la pointe de la pale et le plafond. Un dégagement minimum de 12" est suggéré pour un fonctionnement optimal.

REMARQUE: Selon l'emplacement que vous avez choisi pour l'installation, vous devrez peut-être acheter et installer un "support de solive" pour la prise en charge du boîtier de prise. Assurez-vous que le support de solive que vous avez acheté a été conçu pour être utilisé avec des ventilateurs de plafond. (Fig. 4)

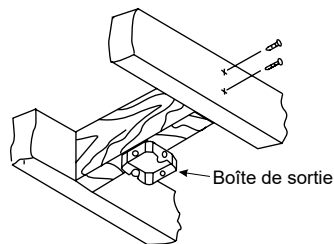


Fig. 1

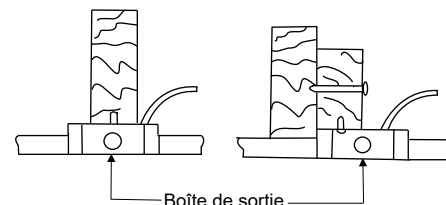


Fig. 2

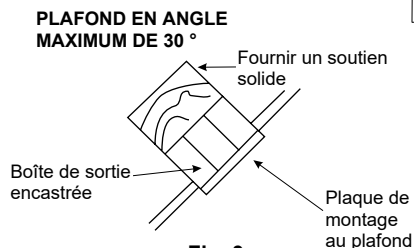


Fig. 3

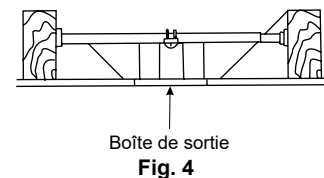


Fig. 4

# Suspendre le fan

**N'oubliez pas** de couper l'alimentation avant de commencer.

Pour installer correctement votre ventilateur de plafond, suivez les étapes ci-dessous.

Étape 1. Retirez le couvercle inférieur du baldaquin décoratif du baldaquin en le tournant dans le sens inverse des aiguilles d'une montre. (Fig. 5)

Étape 2. Retirez le support de fixation au plafond du toit en le retirant (et enregistrez une des deux vis. Desserrez la vis restante d'un demi-tour. (Fig. 5)

Étape 3. Passez les fils d'alimentation de 120 volts de la boîte de sortie du plafond au centre du support de fixation au plafond. (Fig. 6)

Étape 4. Fixez le support de montage au plafond à la prise de courant à l'aide des vis et des rondelles fournies avec celle-ci. (Fig. 6)

Étape 5. Retirez la boule de suspension de l'assemblage de la tige descendante en desserrant la vis de blocage, en dévissant et en retirant la tige transversale et en dévissant la boule de la tige. (Fig. 7)

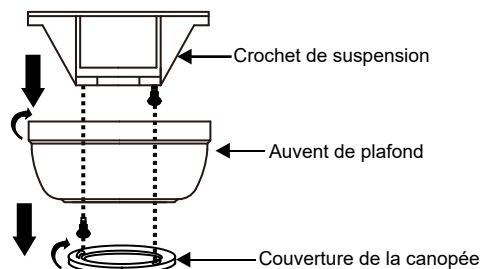


Fig. 5

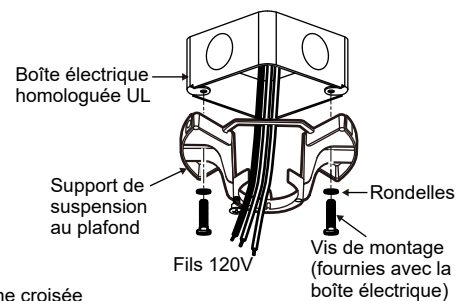


Fig. 6

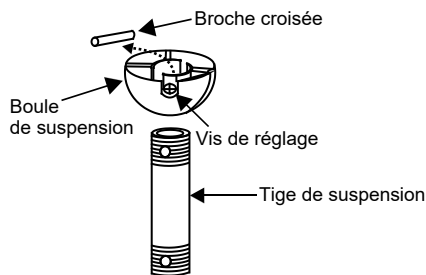


Fig. 7

## Suspendre le ventilateur (suite)

Étape 6. Desserrez les deux vis de réglage et retirez la goupille d'attelage et le clip de fixation de l'accouplement situé au-dessus de l'ensemble du moteur. (Fig. 8)

Étape 7. Faites passer avec précaution les câbles électriques du ventilateur à travers la tige descendante. Vissez la tige dans l'accouplement jusqu'à ce que les trous des goupilles d'attelage soient alignés.

Ensuite, remplacez la goupille d'attelage et le clip de retenue. Serrez les deux vis de pression. (Fig. 8)

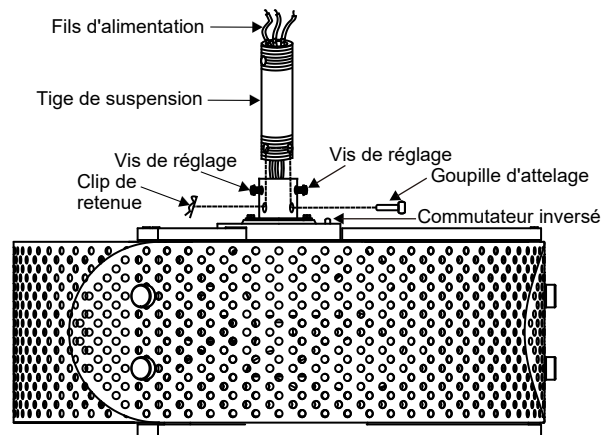


Fig. 8

## Suspendre le ventilateur (suite)

Étape 8 Glissez le couvercle de l'accouplement, le couvercle du pavillon et le pavillon sur la tige de suspension. (Fig. 9)

Enfilez la boule de suspension sur la tige, insérez la goupille transversale dans la tige et serrez. Serrez maintenant la vis de pression.

Étape 9. Soulevez l'ensemble du moteur en position et placez la boule de suspension dans le support de fixation au plafond.

Faites pivoter l'ensemble complet jusqu'à ce que le "Check Tab" soit tombé dans la "fente d'enregistrement" et s'assoie fermement. (Fig. 10)

L'ensemble du moteur ne doit pas tourner (à gauche ou à droite) lorsqu'il est correctement assis.

**ATTENTION:** Si vous ne ré-attachez pas la goupille transversale et ne placez pas le "Check Tab", le ventilateur risque de tomber du plafond pendant le fonctionnement. Faites particulièrement attention à ce que cette épingle soit recollée.

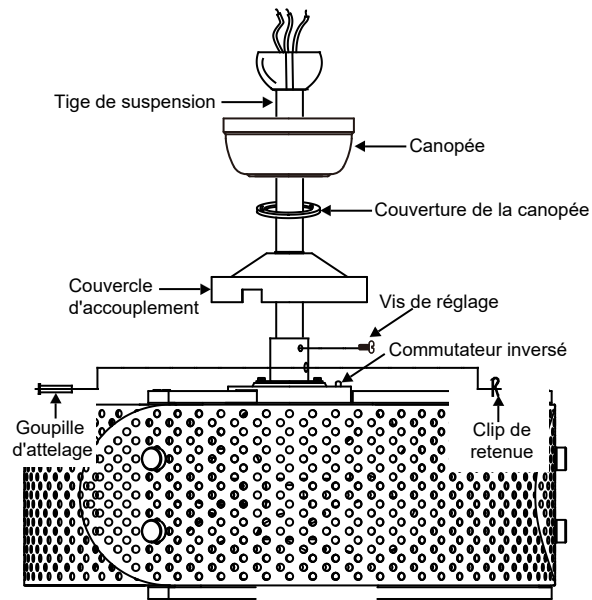


Fig. 9

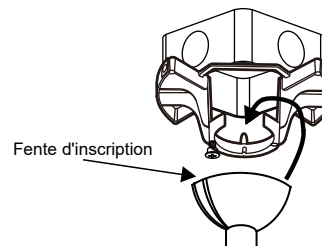


Fig. 10

# INSTALLATION DU SUPPORT DE SÉCURITÉ

(requis pour l'installation canadienne SEULEMENT)

Un câble de sécurité est fourni pour empêcher le ventilateur de plafond de tomber.

Étape 1. Fixez la vis à bois et les rondelles fournies à la solive de plafond à côté du support de montage, mais ne les serrez pas. (Fig. 11)

Étape 2. Ajustez la longueur du câble de sécurité pour atteindre la vis et les rondelles en tirant le câble supplémentaire à travers le serre-câble jusqu'à ce que la longueur totale soit correcte, remplacez l'extrémité du câble dans le serre-câble, formant une boucle à l'extrémité du câble. Serrez fermement le serre-câble. Maintenant, placez la boucle au bout du câble de sécurité sur la vis à bois et sous la rondelle. Serrez fermement la vis à bois.

**REMARQUE:** Bien que le câble d'appui de sécurité ne soit requis que pour les installations canadiennes. C'est une bonne idée de faire la pièce jointe avec n'importe quelle installation.

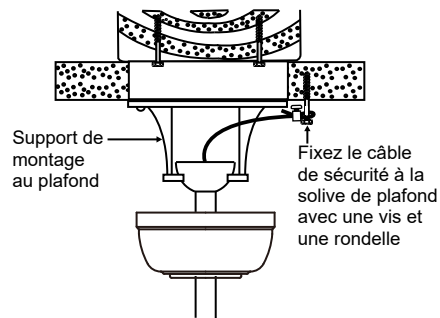


Fig. 11

# CONNEXIONS ELECTRIQUES

**ATTENTION:** Pour éviter tout risque d'électrocution, assurez-vous que le panneau de commande principal est hors tension.

Suivez les étapes ci-dessous pour connecter le ventilateur au câblage de votre domicile. Utilisez les écrous de connexion fournis avec votre ventilateur. Fixez les connecteurs avec du ruban isolant. Assurez-vous qu'il n'y a pas de brins de fils ou de connexions desserrés.

**REMARQUE:** Le système de contrôle CoolTouch™ est équipé de 16 combinaisons de fréquences possibles pour éviter les interférences provenant ou avec d'autres unités de télécommande. Les commutateurs de fréquence de votre récepteur et de votre émetteur ont été pré-réglés en usine. Veuillez vérifier pour vous assurer que les commutateurs de l'émetteur et du récepteur sont réglés sur la même position. Toute combinaison de réglages fera fonctionner le ventilateur tant que l'émetteur et le récepteur sont réglés sur la même position. (Fig. 12)

Étape 1. Insérez le récepteur dans le support de montage au plafond avec le côté plat du récepteur face au plafond. (Fig. 13) Pour de meilleures performances, assurez-vous que l'antenne noire, située à l'extrémité du récepteur, reste étendue et ne soit pas emmêlée avec aucun des fils électriques.

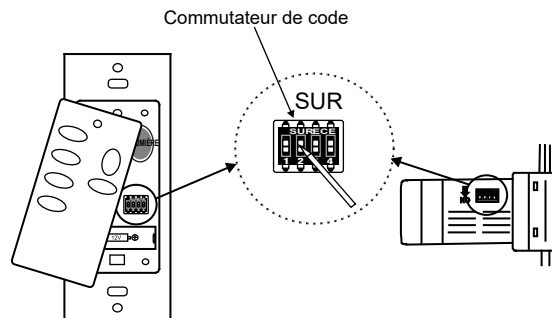


Fig. 12

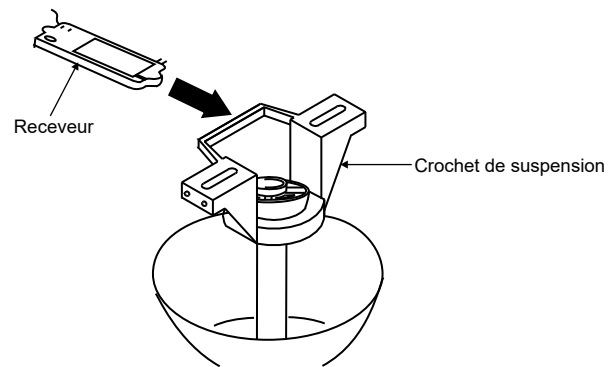


Fig. 13

# CONNEXIONS ÉLECTRIQUES

(suite)

Étape 2. Connexions électriques du moteur au récepteur: (Fig. 14) Connectez le fil noir du ventilateur au fil noir marqué "TO MOTOR L" sur le récepteur. Connectez le fil blanc du ventilateur au fil blanc marqué "TO MOTOR N" sur le récepteur. Connectez le fil bleu du ventilateur au fil bleu marqué "FOR LIGHT" sur le récepteur. Fixez toutes les connexions avec les écrous en plastique fournis.

Étape 3. (Fig. 14) Câbles d'alimentation du récepteur à la maison: Connectez le fil noir (chaud) du plafond au fil noir marqué "AC in L" du récepteur. Connectez le fil blanc (neutre) du plafond au fil blanc marqué "AC in N" du récepteur. Fixez les connexions avec les écrous en plastique fournis.

Étape 4. (Fig. 14) Si votre prise de courant comporte un fil de terre (cuivre vert ou nu), connectez-le aux fils de terre du ventilateur; sinon connectez le fil de terre du support de suspension au support de montage. Fixez le fil de connexion avec un écrou en plastique fourni. Après avoir connecté les fils, écartez-les de manière à ce que les fils vert et blanc soient d'un côté du boîtier de prise et les fils noir et bleu à l'autre. Insérez délicatement les fils dans la boîte de sortie.

**Remarque:** Le ventilateur doit être installé à une distance maximale de 30 pieds de l'émetteur distant CoolTouch™ pour une transmission optimale du signal entre l'émetteur et l'unité de réception du ventilateur.

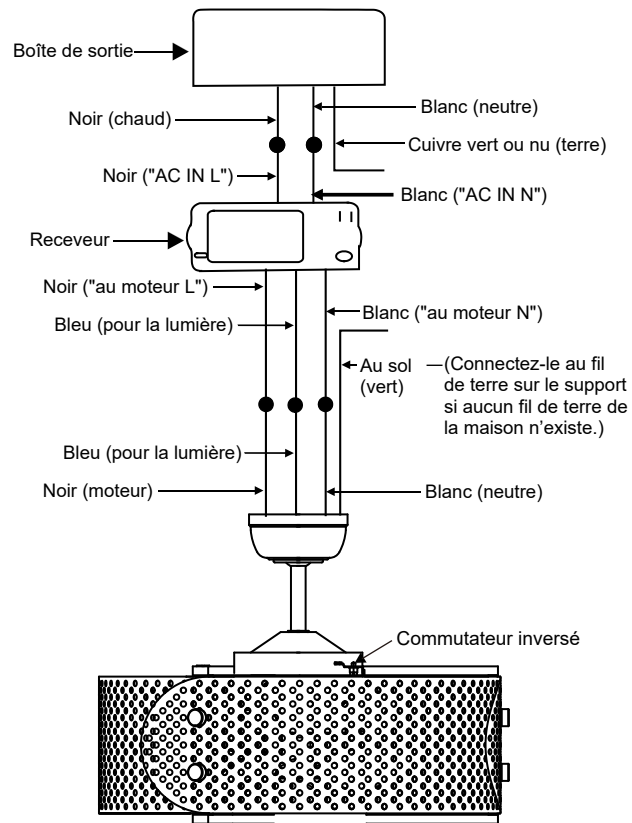


Fig. 14

# FINITION DE L'INSTALLATION

Étape 1. Rentrez soigneusement toutes les connexions dans la boîte de sortie du plafond.

Étape 2. Faites glisser le baldaquin vers le haut sur le support de montage et placez l'une des fentes du trou de serrure sur la vis de montage du support de montage. Faites pivoter le baldaquin jusqu'à ce que la tête de la vis se verrouille en place dans la section étroite du trou de la clé. Voir la figure 15.

Étape 3. Alignez le trou circulaire restant sur le capot avec le trou restant sur le support de montage au plafond. Insérez et serrez la vis de montage que vous avez retirée précédemment et la vis de montage de l'étape 2 ci-dessus. Maintenant, fixez le couvercle de la marquise aux têtes de vis de montage en insérant les têtes de vis dans la partie inférieure du couvercle de la verrière et en faisant tourner le couvercle dans le sens des aiguilles d'une montre.

**REMARQUE:** Ajustez les vis du capot si nécessaire jusqu'à ce que le capot et son capot soient bien ajustés. (Fig. 15)

**ATTENTION:** Assurez-vous que la "languette de contrôle" située au bas du support de suspension est correctement insérée dans la "fente d'enregistrement" située sur le côté de la boule de suspension avant de fixer le baldaquin au support. Si vous ne placez pas correctement le "Check Tab", vous risquez d'endommager les fils électriques lorsque la direction des pales du ventilateur de plafond est modifiée pendant le fonctionnement du ventilateur.

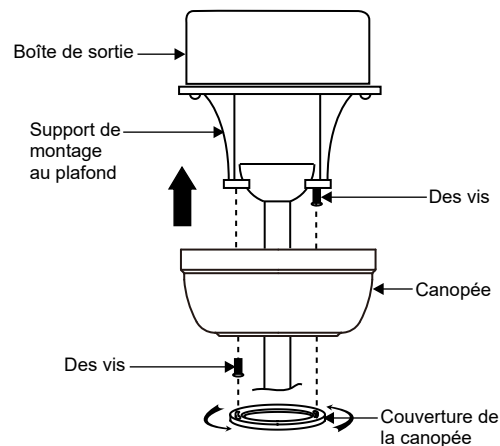


Fig. 15

# INSTALLATION DES LAMPES À LED

**REMARQUE:** Avant de commencer l'installation, débranchez l'alimentation en éteignant le disjoncteur ou en retirant le fusible du boîtier à fusibles.

Installez 4 lampes LED E-26 de 7 Watt (incluses).

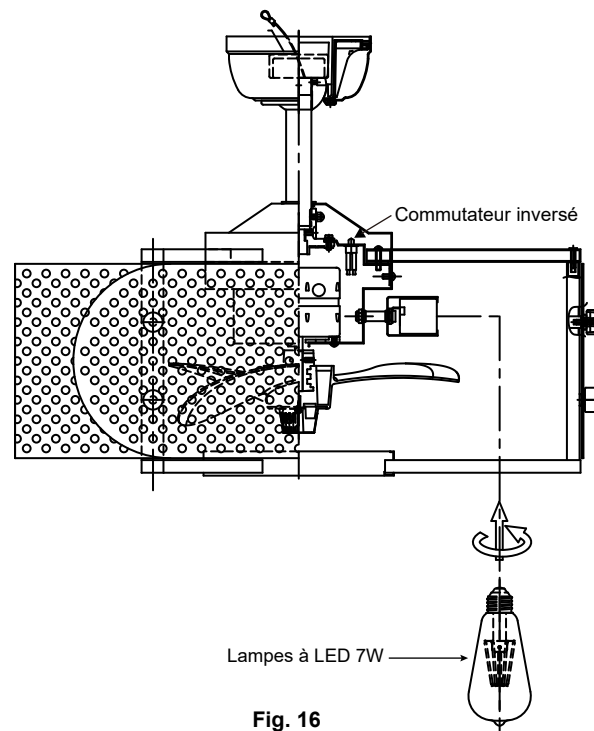


Fig. 16

# INSTALLER LES PILES

Retirez la plaque frontale de l'interrupteur mural en la soulevant vers le haut, puis insérez la batterie 12V fournie. Duracell MN21 / Eveready A23 / GP 23A tous les 12V.

Remplacez la plaque frontale de l'interrupteur.

Pour éviter d'endommager le transmetteur, retirez ces piles si vous n'utilisez pas l'appareil pendant une longue période (mois).

## MODE D'EMPLOI

Bouton HI = Haute vitesse  
Bouton MED = Vitesse moyenne  
Bouton BAS = Basse vitesse  
Bouton FAN OFF = Moteur arrêté  
Bouton lumière = le bouton "LIGHT" allume ou éteint la lumière et contrôle également le réglage de la luminosité. (Fig. 18)

Appuyez sur l'un des boutons et maintenez-le enfoncé pour définir le niveau de luminosité souhaité. La prochaine fois que vous allumez la lumière, le système se souviendra de ce paramètre.

Appuyez brièvement sur l'un des boutons pour allumer ou éteindre la lumière.

Ce système de contrôle n'est PAS conçu pour "inverser" la rotation des pales. Pour régler les pales du ventilateur en marche arrière, l'interrupteur à glissière arrière est situé sur la partie supérieure du boîtier du moteur.

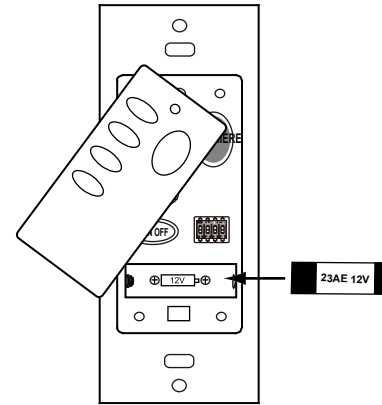


Fig. 17

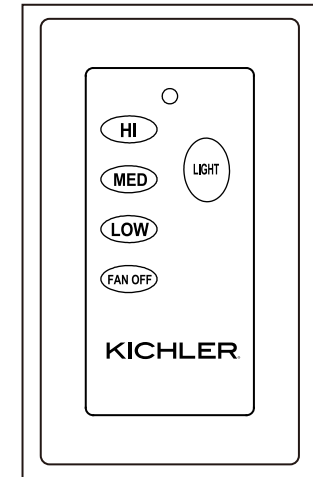


Fig. 18

# INSTALLATION DE LA PLAQUE MURALE DU SYSTÈME DE COMMANDE MURALE À FONCTION DE BASE

Choisissez un emplacement pour installer l'émetteur et la plaque murale du système de commande murale à fonctions de base.

Installez la plaque murale en utilisant un boîtier de prise de commutateur mural existant. Assurez-vous que le panneau principal est éteint avant de continuer.

Étape 1. Retirez la plaque murale existante et l'ancien interrupteur de la prise murale. Filez les fils NOIR (chauds) ensemble et repoussez-les à l'intérieur du boîtier de sortie. (Fig. 19)

Étape 2. Installez la plaque murale sur la boîte de sortie murale existante à l'aide des vis fournies. (Fig. 20)

Après avoir installé les ancrages muraux, fixez la plaque murale avec les vis de montage pour terminer l'installation.

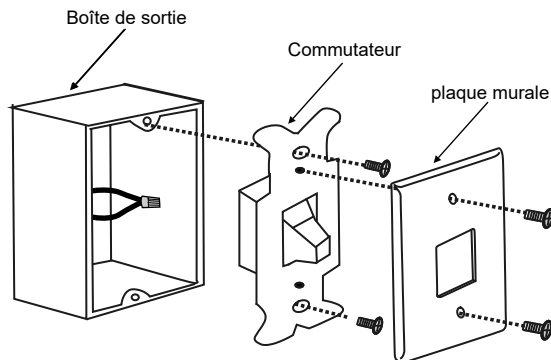


Fig. 19

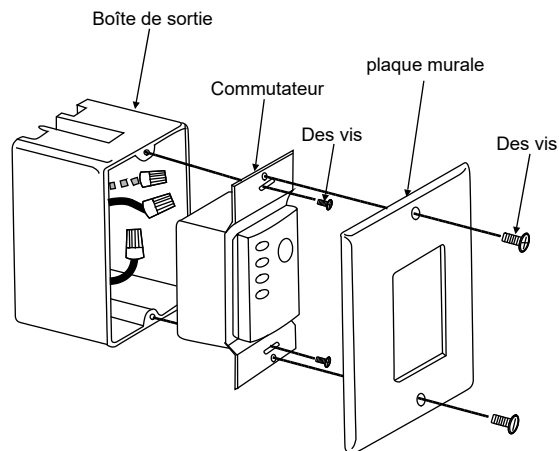


Fig. 20

# MODE D'EMPLOI

**REMARQUE:** Ce système de contrôle n'est PAS conçu pour "inverser" la rotation des pales. Pour régler les pales du ventilateur en marche arrière, l'interrupteur à glissière arrière est situé sur la partie supérieure du boîtier du moteur (à l'intérieur du couvercle du coupleur, comme illustré à la Fig. 21).

Temps chaud - En avant (sens inverse des aiguilles d'une montre)  
Un flux d'air vers le bas crée un effet de refroidissement, comme illustré à la Fig. 22. Cela vous permet de régler votre climatiseur sur un réglage plus chaud sans nuire à votre confort.

Temps froid - sens inverse des aiguilles d'une montre  
Un flux d'air ascendant éloigne l'air chaud du plafond, comme indiqué sur la Fig. 23. Cela vous permet de régler votre appareil de chauffage sur un réglage plus froid sans nuire à votre confort.

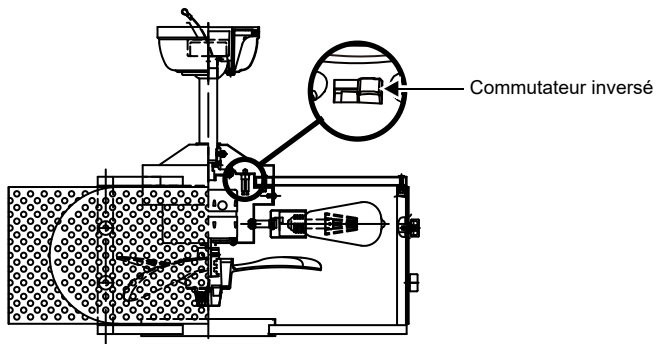


Fig. 21

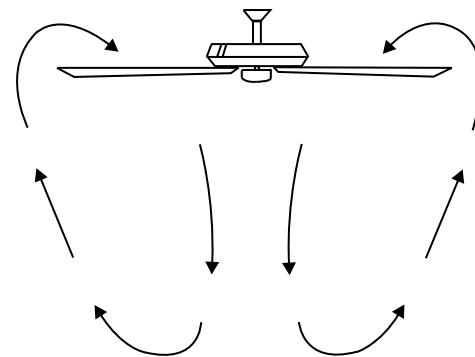


Fig. 22

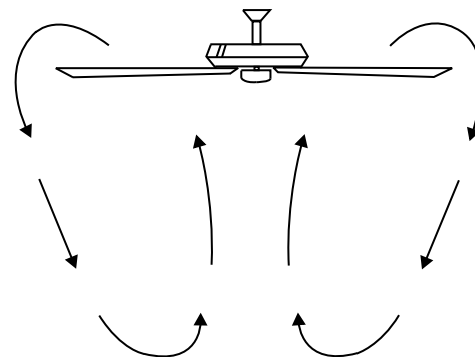


Fig. 23

# DÉPANNAGE

## Problème

## Solution

Le ventilateur ne démarre pas.

1. Vérifiez les fusibles ou les disjoncteurs du circuit.
2. Vérifiez toutes les connexions électriques pour assurer un contact correct.  
**MISE EN GARDE:** Assurez-vous que l'alimentation principale est éteinte lors de la vérification de toute connexion électrique.

Le ventilateur semble bruyant.

1. Assurez-vous que toutes les vis du logement du moteur sont bien ajustées.
2. Assurez-vous que les vis qui fixent les supports de pales du ventilateur au moteur sont bien serrées.
3. Assurez-vous que les connexions de fil-écrou ne frottent pas les unes contre les autres ou avec la paroi intérieure du boîtier de l'interrupteur. **MISE EN GARDE:** Assurez-vous que l'alimentation principale est éteinte.
4. Prévoyez une période de « rodage » de 24 heures. La plupart des bruits associés à un nouveau ventilateur disparaissent pendant ce temps.
5. Si vous utilisez un kit d'éclairage en option, assurez-vous que les vis qui fixent la verrerie sont bien serrées. Assurez-vous que les ampoules ne touchent aucun autre composant.
6. Ne connectez pas ce ventilateur à un ou plusieurs contrôleurs de vitesse variables montés au mur. Ils ne sont pas compatibles avec les moteurs de ventilateur de plafond ou les télécommandes.
7. Assurez-vous que la canopée supérieure est à une courte distance du plafond. Il ne faut pas toucher le plafond.

Dysfonctionnement de la télécommande.

1. Les ventilateurs de plafond avec systèmes de commande à distance **NE PEUVENT PAS** être utilisés avec tout autre système de commande SAUF un interrupteur mural On / Off de base, si nécessaire.

# KICHLER®

[www.kichler.com](http://www.kichler.com)

**KICHLER® ÉCLAIRAGE**

**7711 EAST PLEASANT VALLEY ROAD PO BOX 318010**

**CLEVELAND, OHIO 44131-8010**

**SERVICE À LA CLIENTÈLE 866.558.5706**

**8 H 30 À 17 H, HEURE DE L'EST, DU LUNDI AU VENDREDI**



# KICHLER®

13" EYRIE™

Las imágenes del producto pueden variar ligeramente del producto real.

MANUAL DE INSTRUCCIONES





# TABLA DE CONTENIDO

REGLAS DE SEGURIDAD .....	4
HERRAMIENTAS NECESARIAS .....	5
CONTENIDOS DEL PAQUETE .....	5
OPCIONES DE MONTAJE .....	6
COLGANDO EL VENTILADOR .....	7.
INSTALACIÓN DE SOPORTE DE SEGURIDAD .....	10
CONEXIONES ELÉCTRICAS.....	11
TERMINANDO LA INSTALACIÓN .....	13

INSTALACIÓN DE LAS LÁMPARAS LED .....	14
INSTALANDO LAS BATERÍAS .....	15
INSTRUCCIONES DE OPERACIÓN.....	15
INSTALACIÓN DEL SISTEMA DE CONTROL DE PARED PLACA DE PARED .....	17
INSTRUCCIONES DE OPERACIÓN.....	18
SOLUCIÓN DE PROBLEMAS .....	19



# REGLAS DE SEGURIDAD

## **PRECAUCIÓN-RIESGO DE INCENDIO CONSULTAR A UN ELECTRICISTA CALIFICADO PARA ASEGURAR EL CONDUCTOR CORRECTO DEL CIRCUITO DE LA RAMA.**

1. Para reducir el riesgo de descarga eléctrica, asegúrese de que se haya apagado la electricidad en el disyuntor o en la caja de fusibles antes de comenzar.
2. Todo el cableado debe estar de acuerdo con el Código Eléctrico Nacional y los códigos eléctricos locales. La instalación eléctrica debe ser realizada por un electricista calificado y con licencia.
3. **ADVERTENCIA:** No es adecuado para usar con controles de velocidad de estado sólido.
4. **ADVERTENCIA:** Para reducir el riesgo de incendio, descarga eléctrica o lesiones personales, monte en la caja de salida marcada como "aceptable para soporte de ventilador de 15.8 kg (35 lb) o menos" y use los tornillos de montaje provistos con la caja de salida. La mayoría de las cajas de salida comúnmente utilizadas para el soporte de las lámparas no son aceptables para el soporte del ventilador y pueden necesitar ser reemplazadas. Debido a la complejidad de la instalación de este ventilador, se recomienda encarecidamente a un electricista calificado.

## **ADVERTENCIA: PARA REDUCIR EL RIESGO DE INCENDIO, DESCARGA ELÉCTRICA O LESIONES PERSONALES, MONTE EL VENTILADOR EN LA CAJA DE MARCAS MARCADA "ACEPTABLE PARA APOYO DEL VENTILADOR".**

5. La caja de salida y la estructura de soporte deben estar montadas de manera segura y ser capaces de soportar de manera confiable un mínimo de 50 libras. Use solo las cajas de salida listadas por CUL marcadas "PARA APOYO DEL VENTILADOR".
6. El ventilador debe montarse con un espacio mínimo de 10 pies desde el borde posterior de las aspas hasta el piso.
7. Evite colocar objetos en el camino de las cuchillas.

8. Para evitar lesiones personales o daños al ventilador y otros elementos, tenga cuidado al trabajar o limpiar el ventilador.
9. No use agua ni detergentes al limpiar el ventilador o las aspas del ventilador. Un paño seco para polvo o un paño ligeramente humedecido será adecuado para la mayoría de las limpiezas.
10. Después de marcar las conexiones eléctricas, los conductores empalmados deben girarse hacia arriba y empujarse cuidadosamente hacia arriba en la caja de salida. Los cables deben separarse con el conductor a tierra y el conductor a tierra del equipo a un lado de la caja de salida.
11. Los diagramas eléctricos son solo de referencia. Los kits de luces que no están empacados con el ventilador deben estar en la lista CUL y marcados como adecuados para usar con el modelo de ventilador que está instalando. Los interruptores deben ser interruptores de uso general CUL. Consulte las Instrucciones incluidas con los kits de luz y los interruptores para un montaje adecuado.

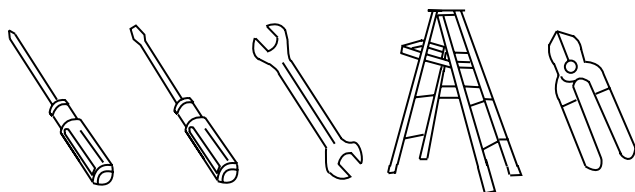
## **ADVERTENCIA: PARA REDUCIR EL RIESGO DE LESIONES PERSONALES, NO DOBLE LOS SOPORTES DE LA HOJA (TAMBIÉN SE REFIEREN COMO BRIDAS) DURANTE EL MONTAJE O DESPUÉS DE LA INSTALACIÓN. NO INSERTE OBJETOS EN EL CAMINO DE LAS HOJAS.**

Aviso especial: Este aparato está equipado con un "Dispositivo de limitación de potencia" requerido por el Departamento de Energía de los Estados Unidos. El dispositivo se instaló en la fábrica y no se puede quitar.

La instalación de lámparas de más de 75 vatios totales deshabilitará la lámpara de las unidades. Si esto sucede, deberá reiniciar el dispositivo de iluminación apagando el ventilador de techo y / o el dispositivo de iluminación, reinstalando las lámparas con un total de menos de 75 vatios y luego volviendo a encenderlo.

# HERRAMIENTAS NECESARIAS

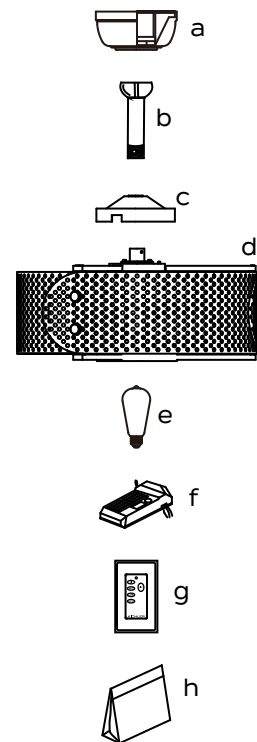
Destornillador Philips  
Destornillador de cuchilla  
Llave de 11 mm  
Escalera de mano  
Cortadores de alambre



# CONTENIDOS DEL PAQUETE

Desembale su ventilador y verifique el contenido. Debe tener los siguientes elementos:

- a. Soporte de techo y techo
  - b. Conjunto de bola / varilla
  - c. Cubierta de acoplamiento
  - d. Ensamblaje del motor del ventilador
  - e. 7 vatios E26, lámpara LED (3)
  - f. Receptor
  - g. Transmisor de pared
  - h. Contenido de la bolsa de parte
- 1) Hardware de montaje:  
tornillos para madera (2), arandelas planas (2), arandelas de estrella (2), arandelas de seguridad (2), tuercas para cables (3), tornillos (2)
- 2) Hardware de cable de seguridad:  
tornillo de madera, arandela de resorte, arandela plana



# OPCIONES DE MONTAJE

Si no hay una caja de montaje listada UL (cUL para instalación canadiense), lea las siguientes instrucciones. Desconecte la energía quitando los fusibles o apagando los disyuntores.

Asegure la caja de salida directamente a la estructura del edificio. Use sujetadores y materiales de construcción apropiados. La caja de salida y su soporte deben ser capaces de soportar completamente el peso en movimiento del ventilador (al menos 50 lb). No utilice cajas de salida de plástico.

Las figuras 1, 2 y 3 son ejemplos de diferentes formas de montar la caja de salida.

**NOTA:** Si está instalando el ventilador de techo en un techo inclinado (abovedado), es posible que necesite una varilla más larga para mantener una separación adecuada entre la punta de la pala y el techo. Se sugiere un espacio libre mínimo de 12 " para una operación óptima.

**NOTA:** Dependiendo de la ubicación que haya seleccionado para la instalación, es posible que deba comprar e instalar un "Joist Hanger" para el soporte de la caja de salida. Asegúrese de que el soporte de la viga que compre haya sido diseñado para usarse con ventiladores de techo. (Fig. 4)

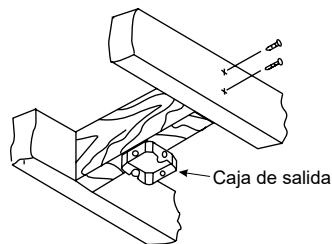


Figura 1

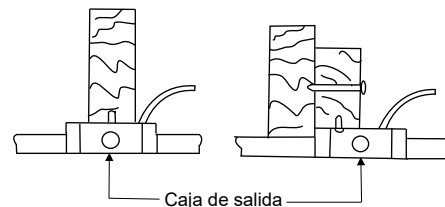


Figura 2

ÁNGULO DE TECHO MÁXIMO  
ÁNGULO DE 30 °

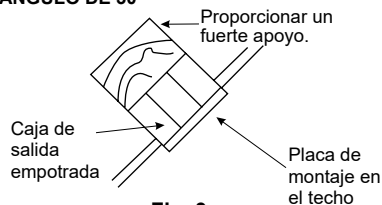


Fig. 3

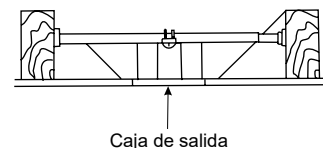


Fig. 4

# COLGANDO EL VENTILADOR

**RECUERDE** apagar la alimentación antes de comenzar.

Para instalar correctamente su ventilador de techo, siga los pasos a continuación.

Paso 1. Retire la cubierta inferior de la cubierta decorativa de la cubierta girando la cubierta hacia la izquierda. (Fig. 5)

Paso 2. Retire el soporte de montaje del techo de la cubierta quitando (y guarde uno de los dos tornillos. Afloje el tornillo restante media vuelta. (Fig. 5)

Paso 3. Pase los cables de suministro de 120 voltios desde la caja de salida del techo a través del centro del soporte de montaje en el techo. (Fig. 6)

Paso 4. Fije el soporte de montaje en el techo a la caja de salida con los tornillos y arandelas incluidos con la caja de salida. (Fig. 6)

Paso 5 Retire la bola de suspensión del conjunto de la varilla hacia abajo aflojando el tornillo de fijación, desenroscando y quitando el pasador transversal y desenroscando la bola de la barra. (Fig. 7)

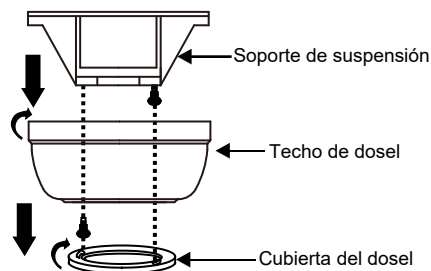


Fig. 5

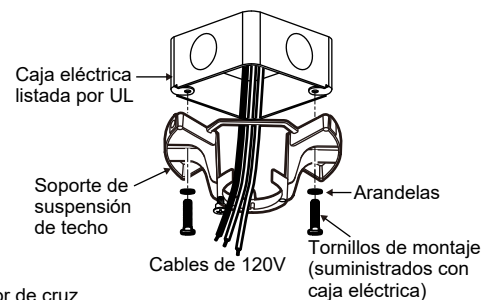


Fig. 6

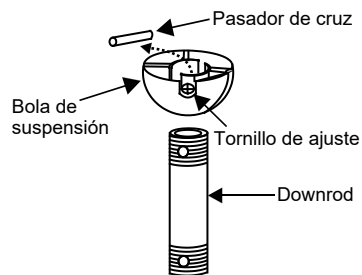


Fig. 7

## COLGANDO EL VENTILADOR (continuación)

Paso 6. Afloje los dos tornillos de fijación y retire el pasador de enganche y el clip de retención del acoplamiento en la parte superior del conjunto del motor. (Fig. 8)

Paso 7. Alimente cuidadosamente los cables conductores eléctricos desde el ventilador a través de la varilla. Enrosque la varilla en el acoplamiento hasta que los orificios del pasador de enganche estén alineados.

Luego, reemplace el pasador de enganche y el clip de retención. Apriete ambos tornillos de fijación. (Fig. 8)

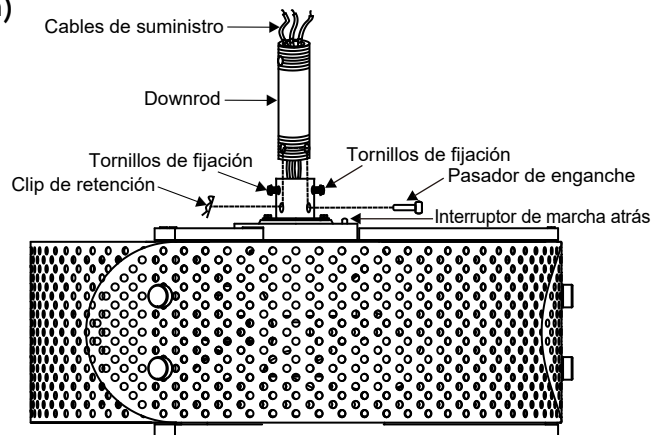


Fig. 8

## COLGANDO EL VENTILADOR (continuación)

Paso 8 Deslice la cubierta de acoplamiento, la cubierta de la cubierta y la cubierta sobre la varilla. (Fig. 9)

Enrosque la bola de suspensión en la varilla, inserte el pasador transversal a través de la varilla y apriete. Ahora apriete el tornillo de fijación.

Paso 9 Levante el conjunto del motor a su posición y coloque la bola de suspensión en el soporte de montaje en el techo.

Gire todo el conjunto hasta que la "pestaña de verificación" haya caído en la "ranura de registro" y se asiente firmemente. (Fig. 10)

Todo el conjunto del motor no debe girar (izquierda o derecha) cuando se asienta correctamente.

**ADVERTENCIA:** Si no vuelve a colocar el pasador transversal y se asienta la "pestaña de verificación", el ventilador puede caerse del techo durante el funcionamiento. Tenga especial cuidado para asegurarse de que este pin se vuelva a colocar.

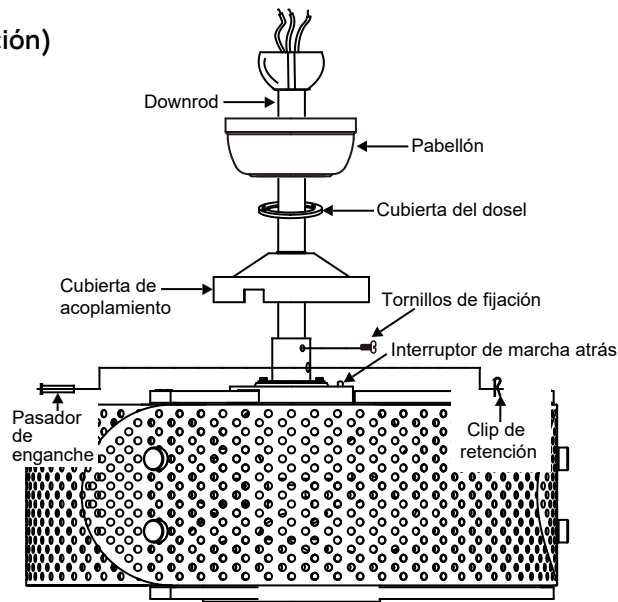


Fig. 9

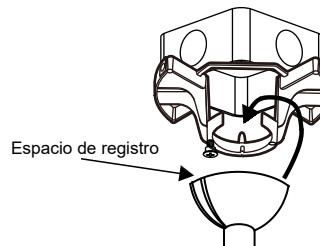


Fig. 10

# INSTALACIÓN DE SOPORTE DE SEGURIDAD

(SOLO para instalación canadiense)

Se proporciona un cable de soporte de seguridad para ayudar a evitar que se caiga el ventilador de techo.

Paso 1. Fije el tornillo de madera y las arandelas provistos a la viga del techo junto al soporte de montaje, pero no apriete. (Fig. 11)

Paso 2. Ajuste la longitud del cable de seguridad para alcanzar el tornillo y las arandelas tirando del cable adicional a través de la abrazadera del cable hasta que la longitud total sea correcta, coloque el extremo del cable nuevamente a través de la abrazadera del cable, formando un bucle en el extremo del cable. Apriete bien la abrazadera del cable. Ahora, coloque el lazo al final del cable de seguridad sobre el tornillo de madera y debajo de la arandela. Apriete bien el tornillo de madera.

**NOTA:** Aunque el cable de soporte de seguridad se requiere solo para instalaciones canadienses. Es una buena idea hacer el archivo adjunto con cualquier instalación.

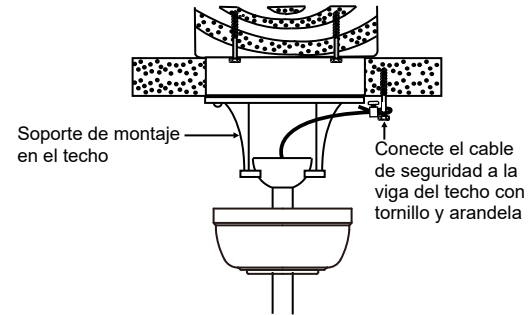


Fig. 11

# CONEXIONES ELÉCTRICAS

**ADVERTENCIA:** Para evitar una posible descarga eléctrica, asegúrese de haber apagado la alimentación en el panel del circuito principal.

Siga los pasos a continuación para conectar el ventilador al cableado de su hogar. Use las tuercas de conexión de cable que se incluyen con su ventilador. Asegure los conectores con cinta aislante. Asegúrese de que no haya hilos o conexiones sueltas.

**NOTA:** El sistema de control CoolTouch™ está equipado con 16 combinaciones de frecuencia posibles para evitar interferencias de o con otras unidades de control remoto. Los interruptores de frecuencia en su receptor y transmisor han sido preajustados en fábrica. Vuelva a verificar para asegurarse de que los interruptores del transmisor y el receptor estén en la misma posición, cualquier combinación de configuraciones hará funcionar el ventilador siempre que el transmisor y el receptor estén en la misma posición. (Fig. 12)

Paso 1. Inserte el receptor en el soporte de montaje del techo con el lado plano del receptor hacia el techo. (Fig. 13) Para un mejor rendimiento, asegúrese de que la Antena Negra, en el extremo del receptor, permanezca extendida y sin enredarse con ninguno de los cables eléctricos.

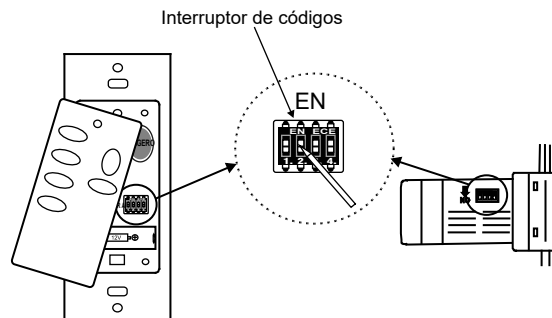


Fig. 12

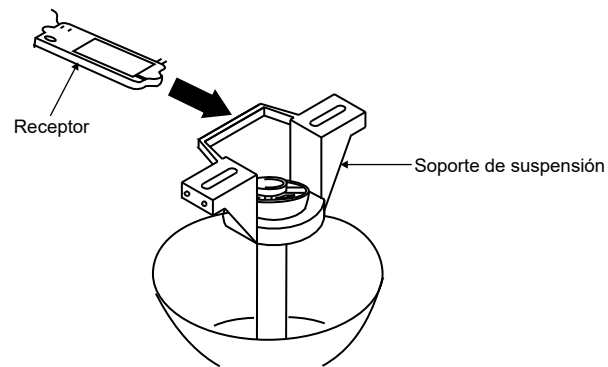


Fig. 13

# CONEXIONES ELÉCTRICAS (continuación)

Paso 2. Conexiones eléctricas del motor al receptor: (Fig. 14) Conecte el cable negro del ventilador al cable negro marcado "TO MOTOR L" en el receptor. Conecte el cable blanco del ventilador al cable blanco marcado "TO MOTOR N" en el receptor. Conecte el cable azul del ventilador al cable azul marcado "PARA LA LUZ" en el receptor. Asegure todas las conexiones de cables con las tuercas para cables de plástico provistas.

Paso 3. (Fig. 14) Receptor para cables de suministro de la casa  
Conexiones eléctricas: Conecte el cable negro (caliente) del techo al cable negro marcado "AC in L" del receptor. Conecte el cable blanco (neutro) desde el techo al cable blanco marcado "AC in N" desde el receptor. Asegure las conexiones de los cables con las tuercas para cables de plástico provistas.

Paso 4. (Fig. 14) Si su caja de salida tiene un cable a tierra (verde o cobre desnudo) conéctelo a los cables a tierra del ventilador; de lo contrario, conecte el cable de tierra del soporte colgante al soporte de montaje. Asegure la conexión del cable con una tuerca de plástico provista. Después de conectar los cables, sepárelos para que los cables verde y blanco estén a un lado de la caja de salida y los cables negro y azul al otro lado. Cuidadosamente meta las conexiones de los cables en la caja de salida.

**Nota:** El ventilador debe instalarse a una distancia máxima de 30 pies del transmisor remoto CoolTouch™ para una transmisión de señal óptima entre el transmisor y la unidad receptora del ventilador.

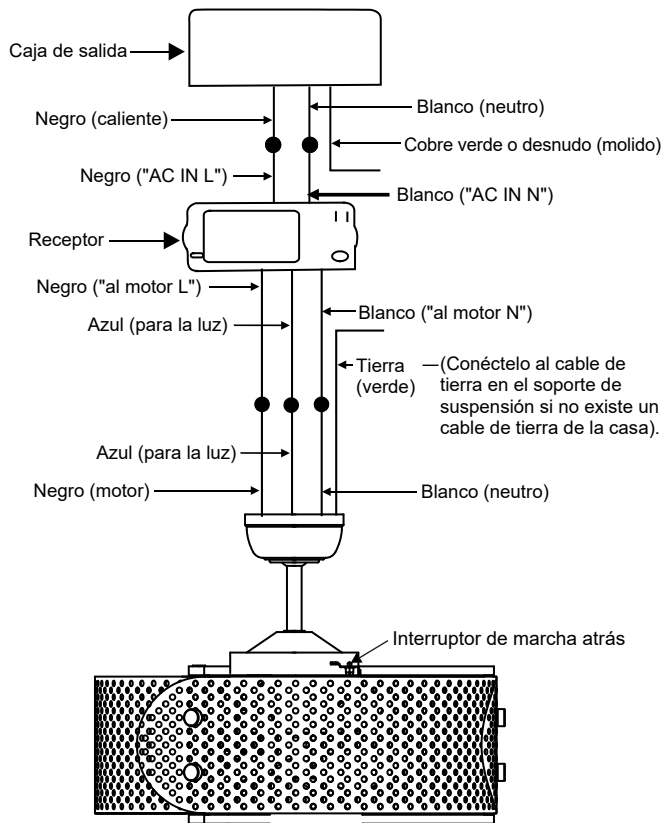


Fig. 14

# ACABADO DE LA INSTALACIÓN

Paso 1. Meta todas las conexiones perfectamente en la caja de salida del techo.

Paso 2. Deslice el dosel hacia arriba hasta el soporte de montaje y coloque una de las ranuras para agujeros de llave sobre el tornillo de montaje en el soporte de montaje. Gire el dosel hasta que la cabeza del tornillo encaje en su lugar en la sección estrecha del orificio de la llave. Ver figura 15.

Paso 3. Alinee el orificio circular restante en el dosel con el orificio restante en el soporte de montaje en el techo. Inserte y apriete el tornillo de montaje que retiró anteriormente y el tornillo de montaje del Paso 2 anterior. Ahora, fije la cubierta del dosel a las cabezas de los tornillos de montaje insertando las cabezas de los tornillos en el lado inferior de la cubierta del dosel y girando la cubierta en el sentido de las agujas del reloj.

**NOTA:** Ajuste los tornillos de la cubierta según sea necesario hasta que la cubierta y la cubierta de la cubierta estén ajustadas. (Fig. 15)

**ADVERTENCIA:** Asegúrese de que la "lengüeta de verificación" en la parte inferior del soporte del colgador esté asentada correctamente en la "ranura de registro" en el costado de la bola del colgador antes de fijar el dosel al soporte. Si no se asienta correctamente la "pestaña de verificación", se podrían dañar los cables eléctricos cuando se cambia la dirección de las aspas del ventilador de techo mientras el ventilador está funcionando.

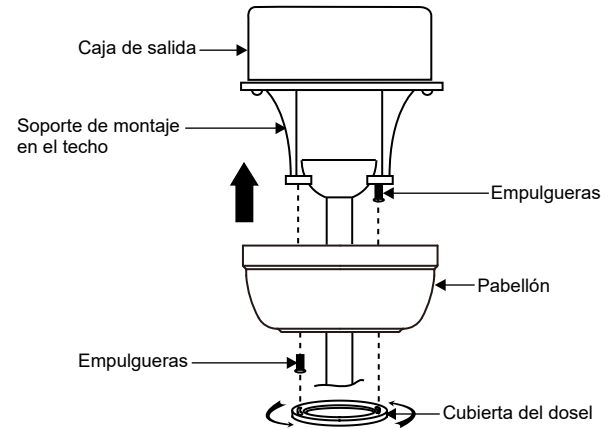


Fig. 15

# INSTALANDO LAS LUCES LED

**NOTA:** Antes de comenzar la instalación, desconecte la alimentación apagando el disyuntor o quitando el fusible en la caja de fusibles.

Instale 4, 7 vatios, lámparas LED E-26 (incluidas).

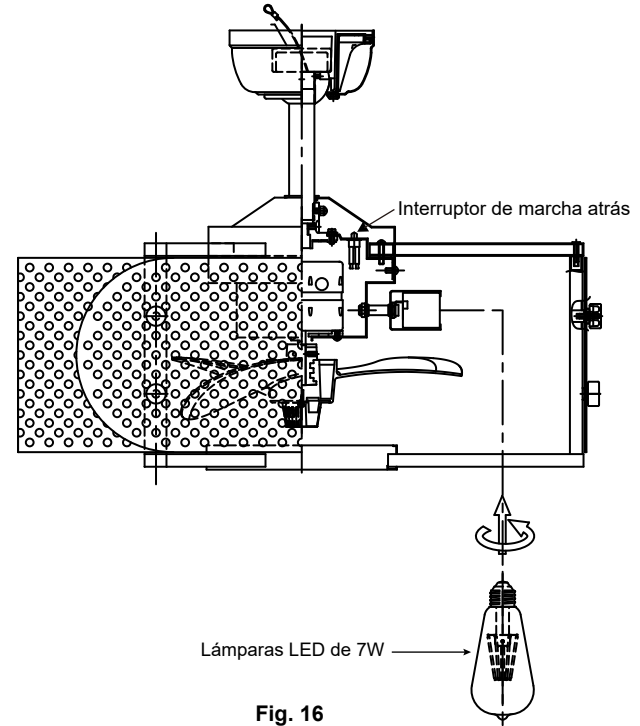


Fig. 16

# INSTALANDO LAS BATERÍAS

Retire la placa frontal del interruptor de pared levantando la parte superior y luego inserte la batería de 12V suministrada. Duracell MN21 / Eveready A23 / GP 23A todos 12V.

Vuelva a colocar la placa frontal del interruptor.

Para evitar posibles daños al transmisor, retire estas baterías si no las usa durante largos períodos de tiempo (meses).

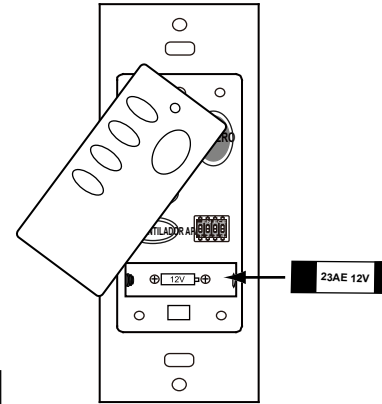


Fig. 17

# INSTRUCCIONES DE OPERACIÓN

Botón HI = Alta velocidad  
Botón MED = Velocidad media  
Botón BAJO = Baja velocidad  
Botón FAN OFF = Motor apagado  
Botón de luz = el botón "LIGHT" enciende o apaga la luz y también controla la configuración del brillo. (Fig. 18)

Mantenga presionado cualquier botón para establecer el nivel de brillo deseado. La próxima vez que encienda la luz, el sistema recordará esta configuración.

Presione y suelte cualquiera de los botones para encender o apagar la luz.

Este sistema de control NO está diseñado para "invertir" la rotación de las cuchillas. Para colocar las aspas del ventilador en reversa, el interruptor deslizable de reversa se encuentra en la parte superior de la carcasa del motor.

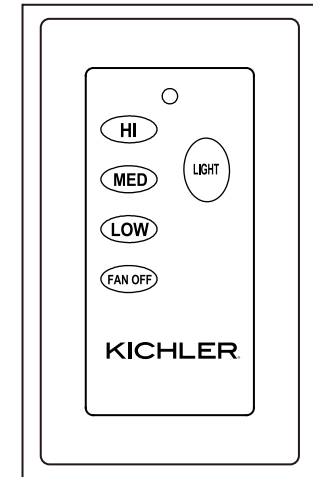


Fig. 18

# INSTALACIÓN DE LA FUNCIÓN BÁSICA SISTEMA DE CONTROL DE PARED PLACA DE PARED

Seleccione una ubicación para instalar el transmisor del sistema de control de pared de funciones básicas y la placa de pared.

Instale la placa de pared usando una caja de salida de interruptor de pared existente. Asegúrese de que la energía eléctrica esté APAGADA en el panel principal antes de continuar.

Paso 1. Retire la placa de pared existente y el interruptor viejo de la caja de salida de pared. Alambre tuerca los cables NEGROS (caliente) juntos y empuje hacia atrás dentro de la caja de salida. (Fig. 19)

Paso 2. Instale la placa de pared en la caja de salida de pared existente usando los tornillos provistos. (Fig. 20)

Después de instalar los anclajes de pared, fije la placa de pared con los tornillos de montaje para finalizar la instalación.

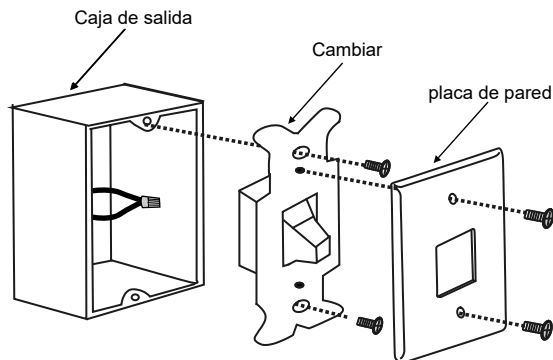


Fig. 19

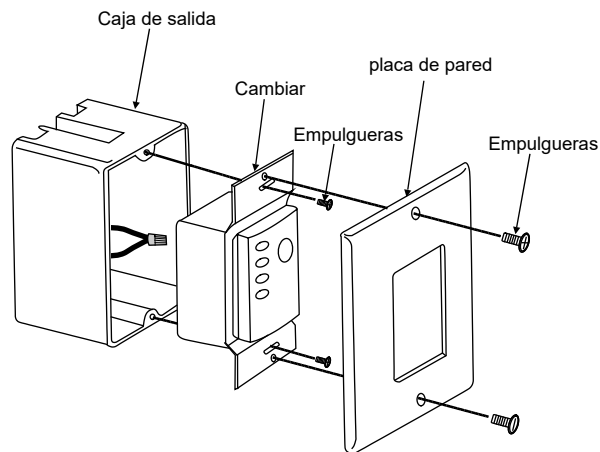


Fig. 20

# INSTRUCCIONES DE OPERACIÓN

**NOTA:** Este sistema de control NO está diseñado para "invertir" la rotación de las cuchillas. Para colocar las aspas del ventilador en reversa, el interruptor deslizante de reversa se encuentra en la parte superior de la carcasa del motor (dentro de la cubierta del acoplador como se muestra en la Fig. 21).

Clima cálido: hacia adelante (en sentido antihorario) Un flujo de aire hacia abajo crea un efecto de enfriamiento como se muestra en la figura 22. Esto le permite configurar su aire acondicionado en un ambiente más cálido sin afectar su comodidad.

Clima frío: marcha atrás (en el sentido de las agujas del reloj) Un flujo de aire ascendente mueve el aire caliente del área del techo como se muestra en la Fig.23. Esto le permite configurar su unidad de calefacción en una configuración más fresca sin afectar su comodidad.

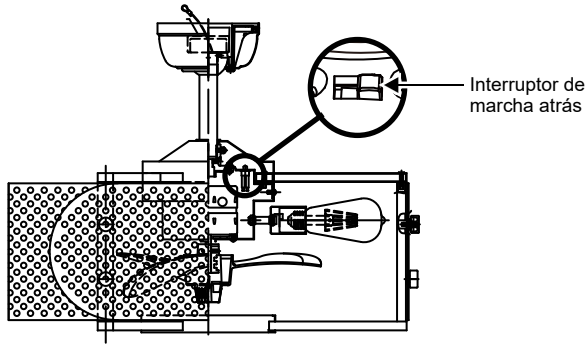


Fig. 21

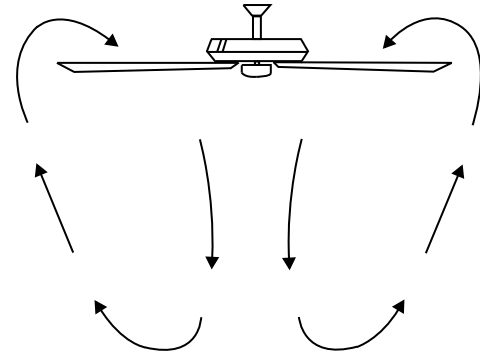


Fig. 22

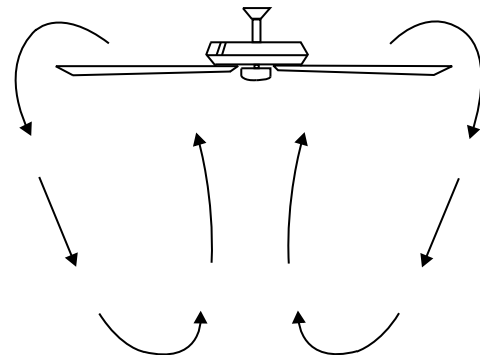


Fig. 23

# SOLUCIÓN DE PROBLEMAS

## Problema

## Solución

El ventilador no arranca.

1. Verifique los fusibles o disyuntores del circuito.
2. Verifique todas las conexiones eléctricas para asegurar un contacto adecuado.  
**PRECAUCIÓN:** Asegúrese de que la alimentación principal esté APAGADA cuando verifique cualquier conexión eléctrica.

El ventilador suena ruidoso.

1. Asegúrese de que todos los tornillos de la carcasa del motor estén ajustados.
2. Asegúrese de que los tornillos que sujetan los soportes de las aspas del ventilador al motor estén apretados.
3. Asegúrese de que las conexiones de la tuerca del cable no se rocen entre sí o con la pared interior de la carcasa del interruptor. **PRECAUCIÓN:** Asegúrese de que la alimentación principal esté apagada.
4. Permita un período de "robo" de 24 horas. La mayor parte del ruido asociado con un nuevo ventilador desaparece durante este tiempo.
5. Si utiliza un kit de luces opcional, asegúrese de que los tornillos que sujetan la cristalería estén apretados. Asegúrese de que las bombillas no toquen ningún otro componente.
6. No conecte este ventilador a los controles de velocidad variable montados en la pared. no son compatibles con motores de ventilador de techo o controles remotos.
7. Asegúrese de que la cubierta superior esté a poca distancia del techo. No debe tocar el techo.

Mal funcionamiento del control remoto.

1. Los ventiladores de techo con sistemas de control remoto **NO SE PUEDEN** operar en conjunto con ningún otro sistema de control EXCEPTO un interruptor de encendido / apagado de pared básico, si se desea.

# KICHLER®

[www.kichler.com](http://www.kichler.com)

**ILUMINACIÓN KICHLER®**

**7711 EAST PLEASANT VALLEY ROAD PO BOX 318010**

**CLEVELAND, OHIO 44131-8010**

**SERVICIO AL CLIENTE 866.558.5706**

**8:30 AM A 5:00 PM EST, LUNES - VIERNES**

