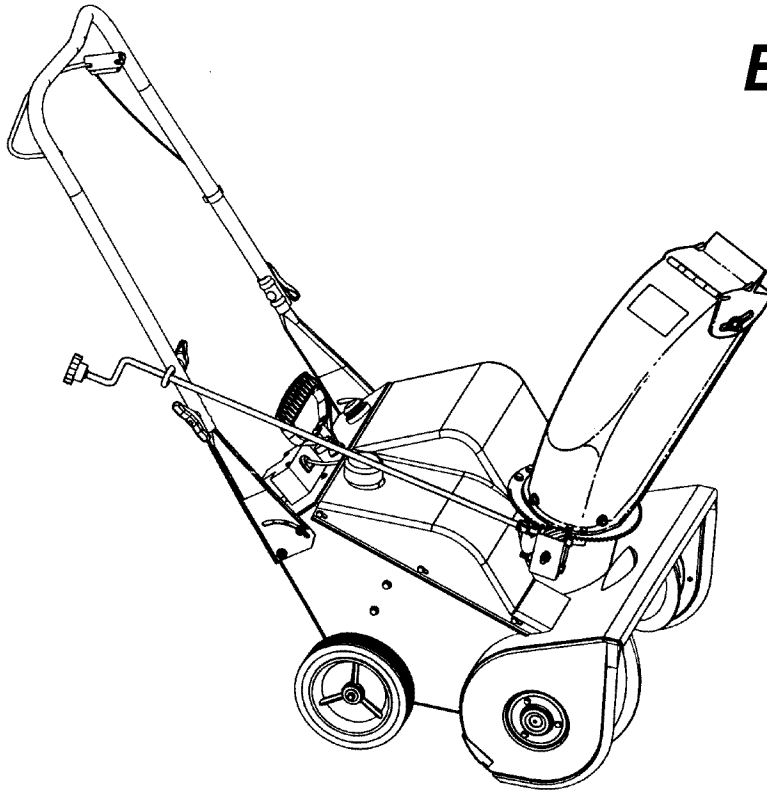


Safety Instructions & Operator's Manual for **SNAPPER**[®]

SINGLE STAGE EXTENDED FRAME SNOW THROWER SERIES 0



MODELS
SX5200R
SX5200E

MODEL NUMBER EXPLANATION

S	X	5	20	0	E
---	---	---	----	---	---

MODEL DESIGNATION
ENGINE HP

ENGINE OPTIONS
SERIES DESIGNATION
AUGER WIDTH

S – Single Stage Operation Model
X – Extended Frame Model
5 – 5.0 Engine HP (Engine Horse Power)

20 – 20" Auger Width
0 – Series Designation
E – 110 Volt Electric Start
R – Recoil Start

Thank you for buying a SNAPPER Product! Before operating your Snow Thrower, read this manual carefully and pay particular attention to the "IMPORTANT SAFETY INSTRUCTIONS" on Pages 2 & 3. Remember that all power equipment can be dangerous if used improperly. Also keep in mind that SAFETY requires careful use in accordance with the operating instructions and common sense.

SNAPPER[®] McDonough, GA., 30253 U.S.A.



IMPORTANT SAFETY INSTRUCTIONS



WARNING: This powerful machine is capable of amputating hands and feet and can throw objects that can cause injury and damage! Failure to comply with the following instructions may result in serious injury to the operator or other persons. The owner of the snow thrower must understand these instructions and, furthermore, must allow only persons who understand these instructions to operate snow thrower. Each person operating the snow thrower must be of sound mind and body and must not be under the influence of any substance, which might impair vision, dexterity, or judgment. If you have any questions pertaining to your snow thrower which your dealer cannot answer to your satisfaction, call or write the Customer Service Department at SNAPPER, McDonough, Georgia 30253. Phone: 800/935-2967.

PROTECTION FOR CHILDREN

Tragic accidents can occur if the operator is not alert to the presence of children. Children are often attracted to the machine and the snow removal activity. Never assume that the children will remain where you last saw them.

1. **DO NOT** allow children in the area when snow thrower is being operated.
2. **DO NOT** allow pre-teenage children to operate snow thrower.
3. **ALLOW** only responsible adults and teenagers with mature judgment to operate the machine and then only after being thoroughly instructed and under the close supervision of an experienced adult operator.
4. Keep the area clear of all persons, particularly small children and pets.
5. Know how to **STOP** the snow thrower and disengage the controls quickly.

PREPARATION

1. Warn everyone in advance to stay clear of area. Keep especially watchful for children and pets darting into area while operating.
2. Read, understand, and follow instructions and warnings in this manual and on the machine. Know the controls and the proper use of the snow thrower before starting.
3. Data indicates that operators, age 60 and above, are involved in a large percentage of snow thrower-related injuries. These operators should evaluate their ability to operate the snow thrower safely enough to protect themselves and others from serious injury.
4. Disengage all clutches and shift into neutral before starting the engine (motor).
5. Wear adequate winter clothing including boots which will give you maximum footing on slippery surfaces. Exercise **CAUTION** to avoid slipping or falling.
6. Before the first snow fall, check the area to be cleared and remove all objects such as doormats, sticks, toys, wires, rocks, etc., which could be hurled or jam the snow thrower.

PREPARATION

7. Survey the area to be cleared beforehand and plan where snow is to be blown. Be prepared to release auger/impeller clutch or to change discharge chute direction quickly to discharge away from windows, cars, buildings and doorways to avoid property damage or personal injury from hurled objects
8. Use only approved extension cords and receptacles in good condition and with sufficient capacity to carry the current to the machine if equipped with electric starting motors.
9. Handle fuel with extra care. Fuels are flammable and vapors are explosive. Store only in an approved fuel container. Never remove fuel cap or add fuel with the engine running. Add fuel outdoors only with the engine stopped and cool. Clean spilled fuel and oil from machine. **DO NOT** smoke. **DO NOT** run engine indoors.

OPERATIONAL PRECAUTIONS

1. Before starting, make visual check to make sure auger/impeller housing is clear and all guards and shields are in place and tight.
2. **DO NOT** operate machine without proper guards shields, deflectors, or other safety protective devices in place and functioning properly.
3. Should the auger/impeller become clogged, release the auger/impeller clutch control and, as an additional precaution, **STOP** the engine before attempting to unclog the auger/impeller or discharge chute.
4. **DO NOT** attempt to unclog the auger/impeller or discharge chute by reaching in with your hands. Use a long stick or similar implement to unclog.
5. **DO NOT** attempt to unclog the auger/impeller or discharge chute with the engine running. **STOP** engine and remove key.
6. **STOP** engine (motor) and remove key before leaving the operator position for any reason.
7. **DO NOT** put hands or feet near or under rotating parts. Keep clear of the discharge opening at all times.



IMPORTANT SAFETY INSTRUCTIONS



OPERATIONAL PRECAUTIONS

8. Start engine only where exhaust fumes will be safely dissipated. Allow a brief warm-up period, and practice operation of controls outside before putting the machine to work.
9. After striking a foreign object, STOP the engine (motor), remove the key, and remove the wire from spark plug. Thoroughly inspect the snow thrower for any damage, and repair the damage before restarting and operating the snow thrower.
10. STOP the engine if the machine starts to vibrate excessively as this normally indicates mechanical problems. Remove the key and disconnect the spark plug wire to prevent unintentional starting before servicing or repairing the machine.
11. DO NOT clear snow across the face of slopes. Exercise extreme CAUTION when changing direction on slopes. DO NOT attempt to clear steep slopes.
12. DO NOT leave machine unattended with the engine running. STOP engine and remove key to prevent unauthorized operation.
13. Release clutch control and make sure auger/impeller has STOPPED before rotating discharge chute, adjusting deflector, or placing hands near auger/impeller.
14. DO NOT use snow thrower on surfaces above ground level, such as, a roof of a building.
15. Exercise extreme CAUTION when operating on or crossing gravel drives, walks, or roads. Stay alert for hidden hazards or traffic.
16. DO NOT overload the machine capacity by attempting to clear snow at too fast a rate.
17. Never operate the machine at high transport speeds on slippery surfaces. Look behind and use care when backing.
18. Disengage power to the auger/impeller when snow thrower is transported or not in use.
19. Use only attachments and accessories approved by the manufacturer of the snow thrower (such as wheels weights, counterweights, cabs and the like).
20. Never operate the snow thrower without good visibility or light. Always be sure of your footing, and keep a firm hold on the handles. Walk; never run.

MAINTENANCE AND STORAGE

1. DO NOT store machine or fuel container inside where fumes may reach an open flame, spark, or pilot light as in a water heater, furnace, clothes dryer or other gas appliance. Allow engine to cool before storing machine in an enclosure. Store fuel container out of reach of children in a well ventilated, unoccupied building.
2. Keep machine and engine free of excess oil, grease and spilled fuel to reduce fire hazard.
3. When draining fuel tank, drain fuel into an approved container outdoors and away from open flame.
4. Inspect all bolts, nuts and screws frequently and keep properly tightened.
5. Use only recommended shear bolts (if equipped) to prevent possible damage to machine.
6. Service engine and make adjustments only when engine is stopped. Remove key, remove wire from spark plug, secure wire away from plug, and disconnect cord from electric starting motors to prevent accidental starting.
7. DO NOT change engine governor speed settings or overspeed engine.
8. DO NOT test for spark by grounding the spark plug next to spark plug hole. Spark from the plug could ignite gas exiting engine.
9. Have machine serviced by an authorized SNAPPER dealer at least once a year and have the dealer install any new safety devices.
10. Use only genuine SNAPPER replacement parts to assure that original standards are maintained.

TABLE OF CONTENTS

SECTION 1 - IMPORTANT SAFETY INSTRUCTIONS.....	2-3
TABLE OF CONTENTS	4
SECTION 2 - OPERATING INSTRUCTIONS.....	5-9
Pre-start Checklist	5-6
Starting & Stopping Engine (Recoil Start Models)	7-8
Engaging & Stopping Auger.....	7-8
Discharge Chute & Deflector Adjustment	7
Starting & Stopping Engine (Electric Start Models).....	8-9
Engaging & Stopping Auger.....	8-9
Discharge Chute & Deflector Adjustment	9
SECTION 3 - MAINTENANCE INSTRUCTIONS	10
Checking Auger Drive Belt.....	10
Checking Auger Flite Shoes	10
Checking Auger Clutch Control Cable	10
Annually – End of Each Season.....	10
Engine	10
Spark Plug.....	10
Storage Procedure.....	10
SECTION 4 - ADJUSTMENTS AND REPAIR.....	11-12
Auger Drive Belt Adjustment.....	11
Auger Drive Belt Replacement.....	11
Auger Flite Shoe Replacement	12
Chute Crank Adjustment.....	12
TROUBLESHOOTING	13
SERVICE SCHEDULE	13
Maintenance/Replacement Parts.....	13
WARRANTY	14

Section 2 - OPERATING INSTRUCTIONS

2.1 PRE-START CHECK LIST

Make the following checks and perform the service required before each start-up.

2.1.1. Check guards, chutes, deflectors and covers to make sure all are in place and securely tightened.

2.1.2. Check auger control to insure it works freely. Engage and disengage auger control to insure proper engagement. See Figure 2.1.

ENGAGE AND DISENGAGE AUGER CONTROL TO INSURE PROPER OPERATION

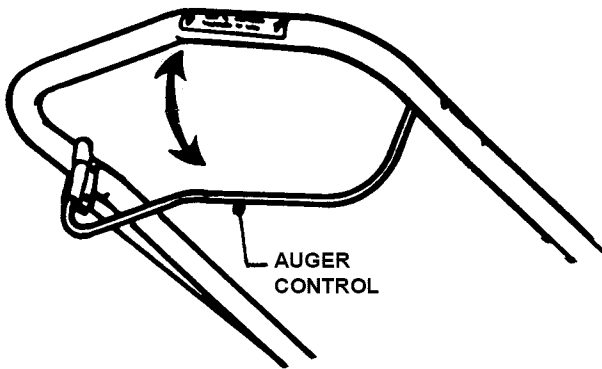


FIGURE 2.1

2.1.3. Check chute operation. Rotate chute to insure smooth rotation throughout its range.

STANDARD FLUID MEASUREMENT (32:1 Ratio)

GASOLINE (Gallons)	2 CYCLE OIL (Ounces)
0.25	1.00
0.50	2.00
0.75	3.00
1.00	4.00
1.25	5.00
1.50	6.00
2.00	8.00

METRIC FLUID MEASUREMENT (32:1 Ratio)

GASOLINE (Liters)	2 CYCLE OIL (Cubic Centimeters)
0.50	15.63
1.00	31.26
1.50	46.88
2.00	62.50
2.50	78.15
3.00	93.75
4.00	125.00

FIGURE 2.2

(Continued on Next Page)

WARNING

Use approved fuel container. **DO NOT** smoke near open fuel container. **DO NOT** fill fuel tank indoors or when engine is running. Allow engine to cool for at least ten minutes before refilling. Wipe off any spilled fuel before starting engine. **DO NOT** run engine indoors.

2.1.4. Mix fresh, good quality unleaded gasoline and SNAPPER 2-cycle engine oil or equivalent. Mix fuel and oil to a 32:1 ratio. See Figure 2.2.

2.1.5. Add premix fuel to tank after pushing the machine outside where fumes can safely dissipate. Make sure cap is tightened after refueling. Refer to Engine Owners Manual for specifications.

2.1.6. Check auger housing, must be free of all obstructions. Clean engine of any accumulation of spilled fuel, dirt, etc.





Section 2 - OPERATING INSTRUCTIONS

2.1 PRE-START CHECK LIST

(Continued from Previous Page)

Make the following checks and perform the service required before each start-up.

	WARNING	
<p>DO NOT use an electrical extension cord that is damaged. A damaged electrical extension cord could cause a shock or fire. Thoroughly inspect electrical extension cord before using machine. If cord is damaged, do not use and do not operate machine. Replace damaged cord immediately. Contact your Snapper service dealer for assistance. To reduce the risk of electric shock, use only with an extension cord intended for outdoor use having a cord type: SW-A, SOW-A, STW-A, STOW-A, SJW-A, SJTW-A or SJTOW-A.</p>		

2.1.7. Check and make sure extension cord is in good condition. Extension cord should not have any broken insulation or exposed wires. Use an extension cord that is heavy enough to carry the correct amount of current to the machine. See Figure 2.3 for correct size to use depending on cord length and nameplate ampere rating. If in doubt, use the next heavier gauge cord.

MINIMUM GAUGE FOR CORD SETS					
120 Volt		Total Length of Cord in Feet			
Rating - Amps		25 ft.	50 ft.	100 ft.	150 ft.
More Than	Not More Than	A.W.G.			
0	6	18	16	16	14
6	10	18	16	14	12
10	12	16	16	14	12
12	16	14	12	Not Recommended	

FIGURE 2.3

2.1.8. Check the AC electrical outlet that will be used and make sure it is a polarized outlet. The machine has a polarized plug (one blade of plug is wider than the other) that will accept a polarized extension cord. The extension cord will fit into a polarized outlet (receptacle) only one way. If plug does not fit fully into your outlet, reverse the plug. If it still does not fit, contact a qualified electrician to install a proper polarized outlet. DO NOT modify or change this polarized plug in any way.

IMPORTANT! Electric Start Kit optional accessory on some models.



Section 2 - OPERATING INSTRUCTIONS

2.2 STARTING, STOPPING & OPERATION (RECOIL START MODELS) (Go to Page 8 for Electric Start Models)

2.2.1. ENGINE & AUGER

1. Move choke control to the choke "ON" position.
See Figure 2.4.

IMPORTANT: Stop the auger by releasing the auger control. Stop the engine by turning the key switch to the "OFF" position.

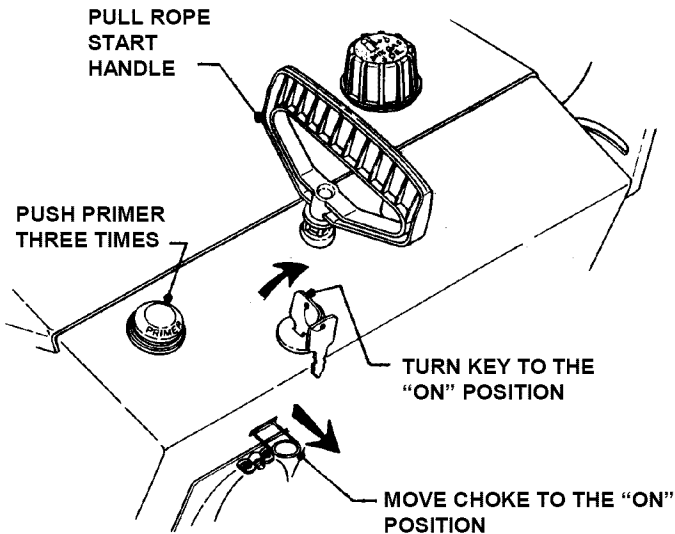


FIGURE 2.4

2. Turn ignition key to the "ON" position.
3. Push primer button three times to start a cold engine. **NOTE:** Do not use primer button to start warm engine. See Figure 2.4.
4. Pull rope start handle to crank engine.
5. After engine starts, move the choke control to the no choke "OFF" position. Allow a brief warm-up until engine runs smooth.

2.2.3. DISCHARGE CHUTE and DEFLECTOR ADJUSTMENT

1. Release auger control and allow auger to come to a complete stop before performing any adjustments.
2. Loosen deflector knob and position deflector to desired angle. Retighten knob. See Figure 2.6.
3. Rotate chute crank to position the discharge chute in desired direction. See Figure 2.5.

MOVE AUGER CONTROL AGAINST HANDLE TO ENGAGE AUGER

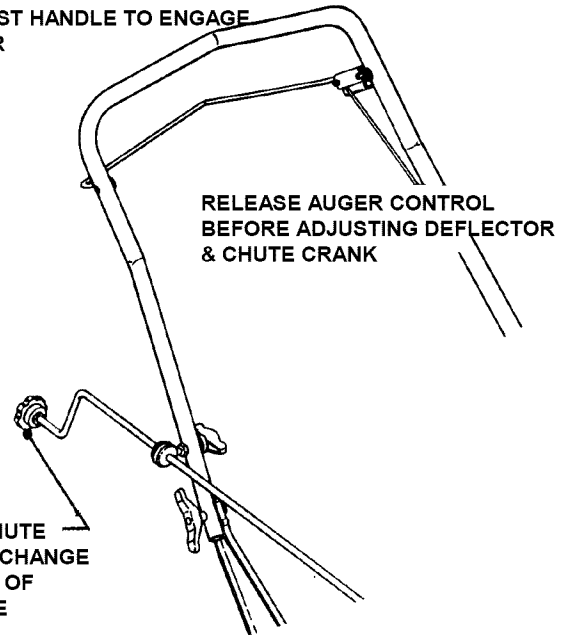


FIGURE 2.5

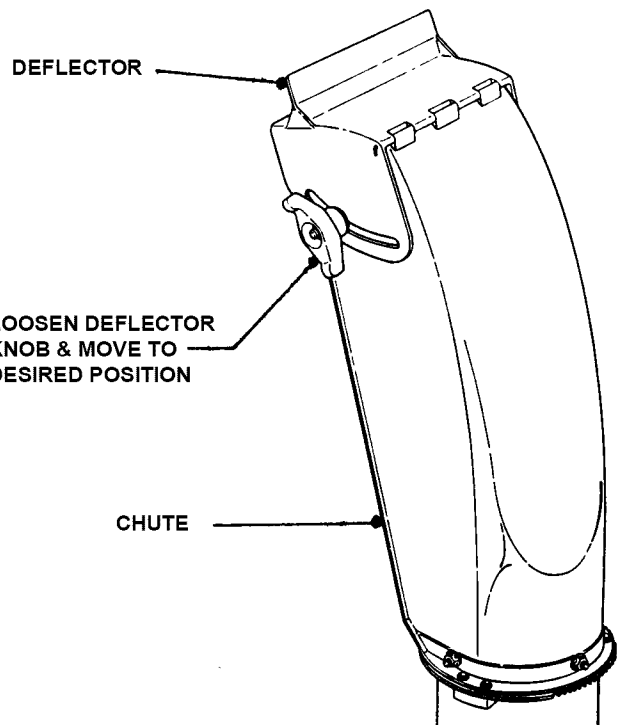


FIGURE 2.6

WARNING

Objects can be thrown by the snow thrower while it is in operation. Thrown objects could cause serious injury to the operator or bystanders. Always wear safety goggles or other suitable eye protection. Keep people and pets away from area.

2.2.2. ENGAGING AUGER

1. Pull auger control against handle to engage auger See Figure 2.5.

WARNING

Release auger clutch control and make sure auger has STOPPED before rotating discharge chute, or adjusting deflector. DO NOT place hands near auger while engine is running.

Section 2 - OPERATING INSTRUCTIONS

2.2.4. STOPPING

Stop the auger by releasing the auger control. Stop the engine by turning the key switch to the "OFF" position. Always remove key from key switch before leaving machine unattended. See Figure 2.7.

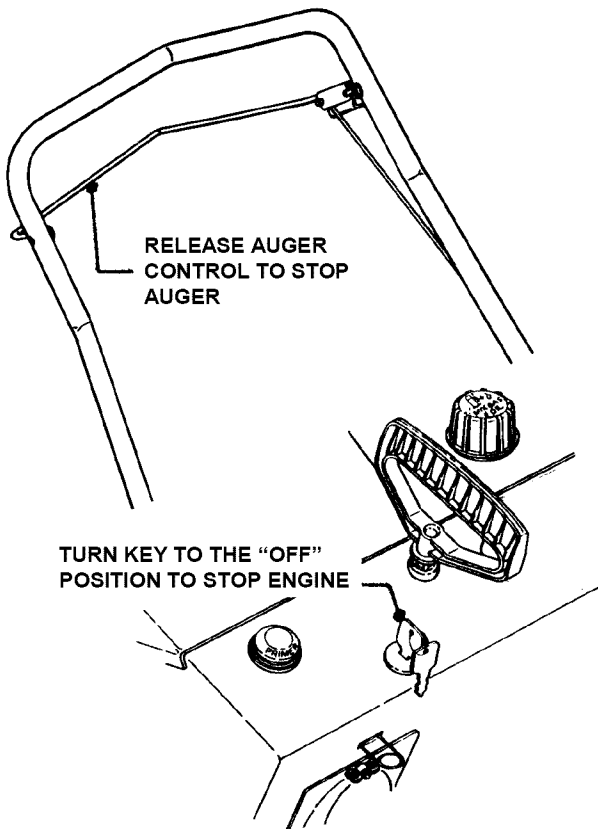


FIGURE 2.7

2.2 STARTING, STOPPING & OPERATION (ELECTRIC START MODELS)

(Go to Page 7 for Recoil Start Models)

2.2.5. ENGINE & AUGER

1. Connect the power cord to the starter switch box on machine's control panel then plug the other end into 120 volt AC receptacle.
2. Move choke control to the choke "ON" position. See Figure 2.8.

IMPORTANT: Stop the auger by releasing the auger control. Stop the engine by turning the key switch to the "OFF" position.

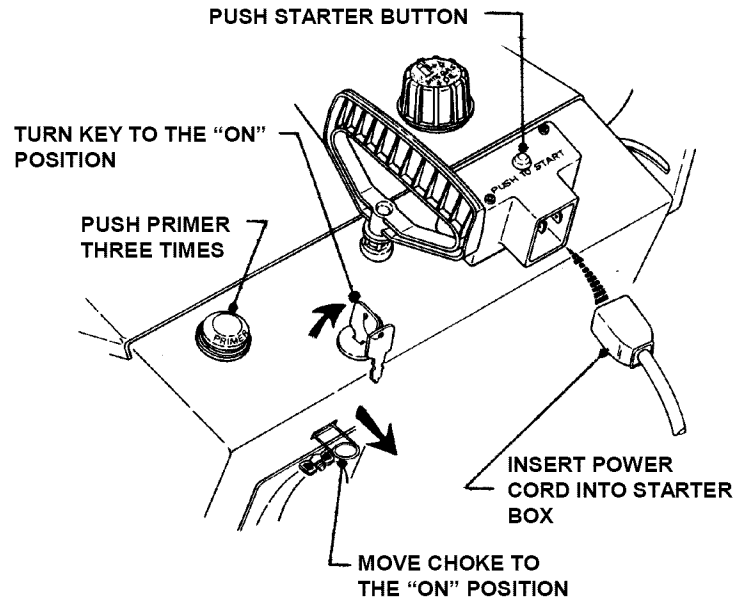




FIGURE 2.8

3. Turn ignition key to the "ON" position.
4. Push primer button three times to start a cold engine. **NOTE:** Do not use primer button to start warm engine.
5. Push the electric starter button. DO NOT hold button for more than 20 seconds to avoid damaging the starting motor. See Figure 2.8
6. After engine starts, move the choke control to the no choke "OFF" position. Allow a brief warm-up until engine runs smooth.
7. Disconnect power cord from AC receptacle. Disconnect power cord from machine and remove cord from area where machine will be in operation.

WARNING

DO NOT use an electrical extension cord that is damaged. A damaged electrical extension cord could cause a shock or fire. Thoroughly inspect electrical extension cord before using machine. If cord is damaged, do not use and do not operate machine. Replace damaged cord immediately. Contact your Snapper service dealer for assistance. To reduce the risk of electric shock, use only with an extension cord intended for outdoor use having a cord type: SW-A, SOW-A, STW-A, STOW-A, SJW-A, SJTW-A or SJTOW-A.

Section 2 - OPERATING INSTRUCTIONS

	WARNING	
<p>Objects can be thrown by the snow thrower while it is in operation. Thrown objects could cause serious injury to the operator or bystanders. Always wear safety goggles or other suitable eye protection. Keep people and pets away from area. Release auger clutch control and make sure auger has STOPPED before rotating discharge chute, or adjusting deflector. DO NOT place hands near auger while engine is running.</p>		

2.2.6. ENGAGING AUGER

1. Pull auger control against handle to engage auger. See Figure 2.5.

2.2.7. DISCHARGE CHUTE and DEFLECTOR ADJUSTMENT

1. Release auger control and allow auger to come to a complete stop before performing any adjustments.
2. Loosen deflector knob and position deflector to desired angle. Retighten knob.
3. Rotate discharge chute in desired direction. See Figure 2.6.

2.2.8. STOPPING

Stop the auger by releasing the auger control. Stop the engine by turning the key switch to the "OFF" position. Always remove key from key switch before leaving machine unattended. See Figure 2.7.

Section 3 - MAINTENANCE

3.1 INTRODUCTION

To retain the quality of the snow thrower, use genuine SNAPPER replacement parts only. Contact a local SNAPPER dealer for parts and service assistance. For the correct part or information for a particular snow thrower, always mention model and serial number.

3.2 SERVICE - AFTER FIRST 5 HOURS

3.2.1 CHECK AUGER DRIVE BELT

1. Visually check engine drive belt for cracking, fraying, severed or belt strands exposed. Replace belt before operating snow thrower. See Figure 3.1

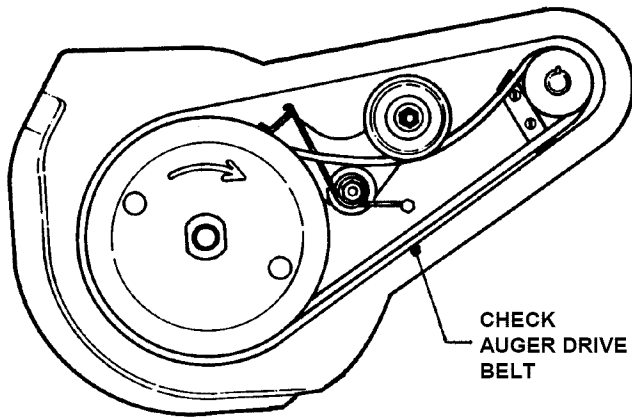


FIGURE 3.1

3.2.2 CHECK AUGER FLITE SHOE

1. Visually check flite shoes for cracking, fraying, severed or belt strands exposed. Replace flite shoes before operating snow thrower.

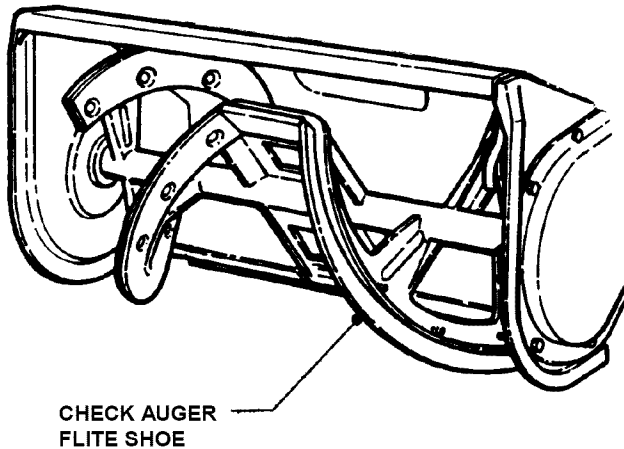


FIGURE 3.2

3.2.3 CHECK AUGER CLUTCH CONTROL CABLE

1. Visually check cable for fraying, kinking or severed cable strands. Replace cable and adjust tension before operating snow thrower.

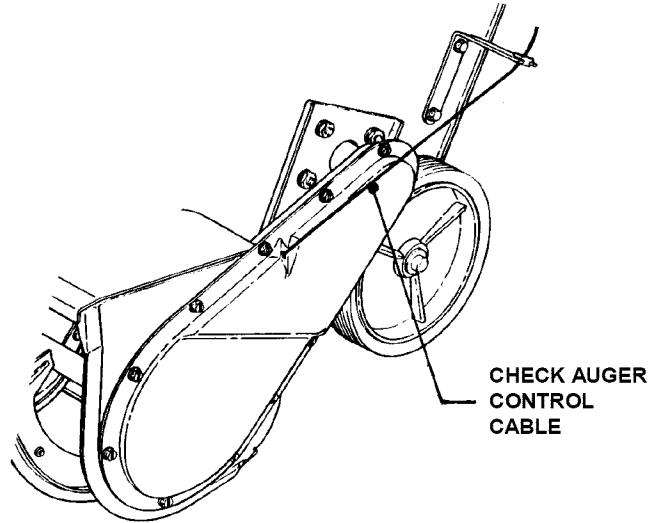


FIGURE 3.3

3.3 ANNUALLY (END OF EACH SEASON)

Perform all maintenance as described in the maintenance schedule.

3.3.1. Engine

Refer to engine owner's manual for service instructions.

3.3.2. Spark Plug

Refer to engine owner's manual for service instructions.

3.4 STORAGE PROCEDURE

Refer to the Engine Owner's Manual for directions regarding engine storage preparations. Prepare the snow thrower for "end of season" storage as follows:

1. Drain fuel from fuel tank and let engine run until all fuel is out of the carburetor.
2. **Disconnect and remove the spark plug wire away from spark plug before any other preparations are made!**
3. Tape all openings closed to prevent spraying water into exhaust or air intakes during washing.
4. Tilt snow thrower up on its wheels and thoroughly clean the underside of the auger.
5. Lubricate all exposed metal with a light coating of oil to prevent corrosion.
6. Store the machine in a shed or other dry area, protected from weather.

Section 4 - REPAIR & ADJUSTMENTS

WARNING

DO NOT attempt any adjustments, maintenance, service, or repairs with engine running. Stop auger. Stop engine. Remove key. Remove spark plug wire and secure wire away from spark plug.

4.1 AUGER BELT ADJUSTMENT/REPLACEMENT

When operating machine release the auger clutch control. The auger should come to a complete stop in 5 seconds. If auger does not come to a complete stop in the required time, check and adjust belt tension. Inspect belt frequently for signs of excessive wear. Observe drive belt for slippage due to wear when operating machine. If slippage does occur adjust as follows.

4.1.1. AUGER BELT CABLE ADJUSTMENT

1. Measure control cable extension from a relaxed position to full extended position. Move control lever against handle. Measure the overall length of the spring. The length of the cable spring should increase by 1/2" to 3/4" when the clutch control is depressed. See Figure 4.1.

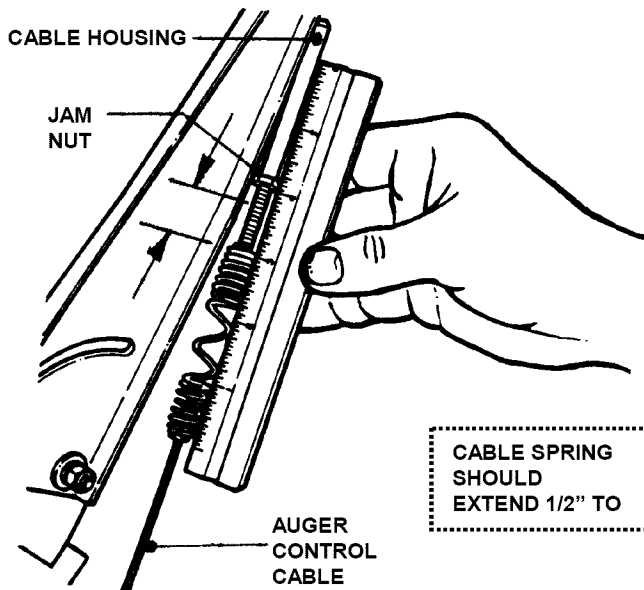


FIGURE 4.1

2. Loosen jam nut at the upper end of cable. Hold threaded end of cable and then turn cable clockwise until correct extension is achieved. Retighten jam nut.

IMPORTANT: DO NOT over tighten. Cable must have slack for the auger brake to function properly. If all adjustment is used up, belt must be replaced. Refer to Section "Auger Belt Replacement".

4.1.2. AUGER BELT REPLACEMENT

Inspect belt frequently for signs of excessive wear. Visually check engine drive belt for cracking, fraying, severed or belt strands exposed.

1. Remove belt cover. See Figure 4.2.
2. Loosen or remove auger pulley to allow removal of belt. **IMPORTANT:** Pulley has left hand threads.
3. Push the spring tensioned idler pulley down and remove belt.
4. Use recoil start handle to rotate engine and roll belt off engine pulley.
5. Use recoil start handle to rotate engine and roll new belt onto engine pulley.
6. Position new belt around auger pulley and reinstall and tighten pulley onto auger shaft.
7. Push the spring tensioned idler pulley down and install new belt. See Figure 4.3.
8. Reinstall belt cover and tighten screws securely.

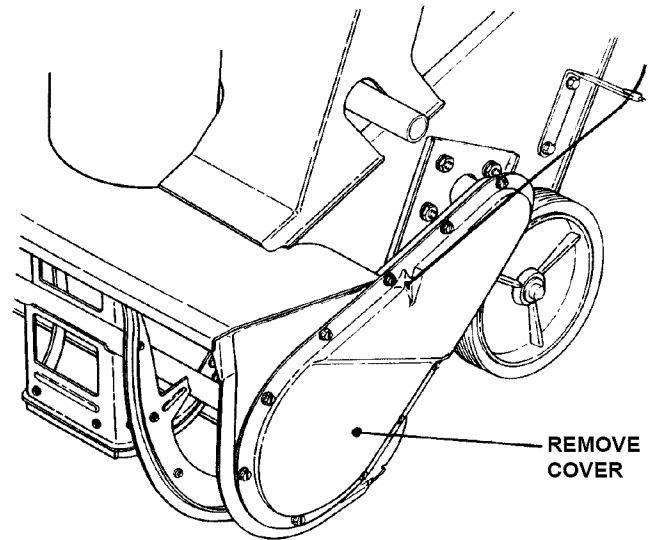


FIGURE 4.2

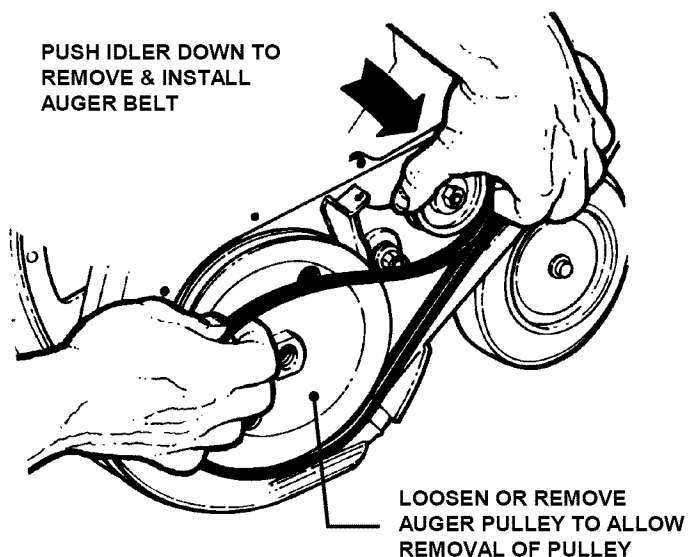


FIGURE 4.3

Section 4 - REPAIR & ADJUSTMENTS

WARNING

DO NOT attempt any adjustments, maintenance, service, or repairs with engine running. Stop auger. Stop engine. Remove key. Remove spark plug wire and secure wire away from spark plug.

4.1.3. AUGER FLITE SHOE REPLACEMENT

Inspect flite shoes frequently for signs of excessive wear. Visually check flite shoes for cracking, fraying, severed or belt strands exposed. #6-0631 Flite Shoe Kit will be required to replace existing flite shoes.

1. Tilt machine backward to gain access to auger. Secure machine in the tilted position to prevent tipping over.
2. Remove all self-tapping screws that secure the flite shoes to auger. Save screws for future use.
3. Install new flite shoes to auger using self-tapping screws removed previously. Tighten screws securely. DO NOT overtighten. See Figure 4.4.

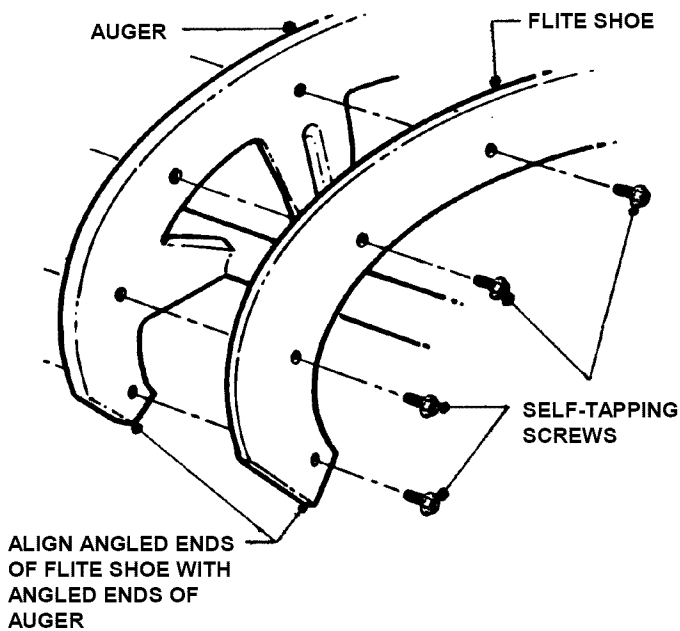


FIGURE 4.4

4.1.4. CHUTE CRANK ADJUSTMENT

1. Loosen pivot bolt and nut. Rotate adjustment nut clockwise to move worm bracket closer to ring gear. Rotate adjustment nut counter clockwise to move worm bracket away from ring gear. NOTE: The worm gear should always maintain full contact with ring gear after adjustment. Retighten pivot bolt and nut. If crank still does not operate satisfactorily, lubricate worm gear and ring gear with grease. See Figure 4.5.

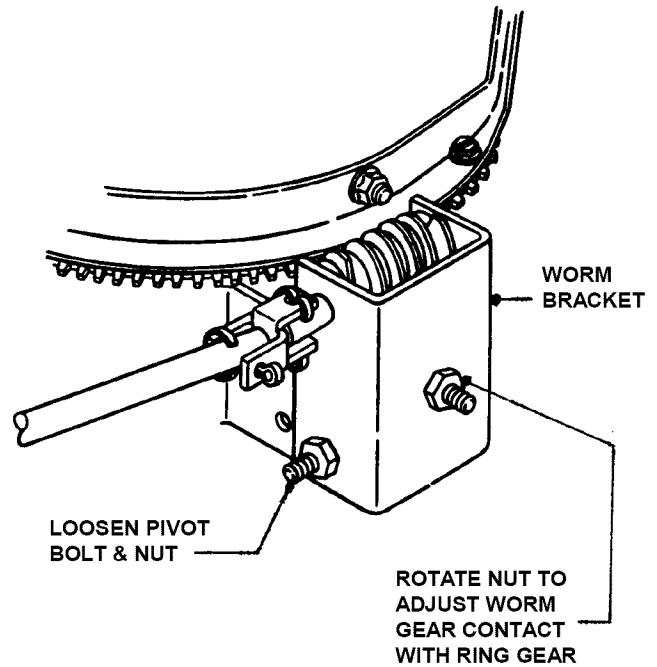


FIGURE 4.5

TROUBLESHOOTING

PROBLEM	PROBABLE CAUSE	CORRECTIVE ACTION
Engine Will Not Start Using Recoil Starter	1. Fuel tank empty.	1. Fill fuel tank with fresh fuel/oil mix.
	2. Engine needs choking and priming.	2. Move choke control to "CHOKE" position. Push primer bulb three times
	3. Spark plug wire disconnected.	3. Place spark plug wire onto spark plug.
Engine Will Not Crank Using Electric Starter	1. Power extension cord not plugged into machine or into 110 Volt outlet.	1. Plug power extension cord into machine & into 110 Volt outlet.
	2. Power extension cord damaged.	2. Discard damaged power extension cord
	3. Starter switch damaged or faulty.	3. Replace starter switch.
	4. Fuel filter clogged.	4. Replace with new in line filter.
Engine Stalls or Stops After Running	1. Fuel and 2-Cycle oil mixture ratio incorrect.	1. Mix fuel and 2-Cycle oil to 32:1 ratio.
	2. Choke control in the "CHOKE" position.	2. Move choke control to "OFF" position.
	3. Fuel tank empty.	3. Fill with fuel to proper level.
	4. Air intake clogged with snow or debris.	4. Unclog air intake.
	5. Spark plug defective or gap set improperly.	5. Service spark plug.
	6. Water, debris or stale fuel in fuel system.	6. Drain and clean fuel system.
	7. Fuel filter clogged.	7. Replace with new in line filter.
Engine Loses Power	1. Fuel and 2-Cycle oil mixture ratio incorrect.	1. Mix fuel and 2-Cycle oil to 32:1 ratio.
	2. Spark plug faulty.	2. Service spark plug.
	3. Water, debris or stale fuel in fuel system.	3. Drain and clean fuel system.
Excessive Vibration	1. Damaged, out of balance or bent auger.	1. Service auger.
	2. Loose engine or auger components.	2. Service and tighten loose components.
	3. Loose or missing flightings.	3. Replace flightings.
	4. Cracked, severed or frayed belt	4. Replace belt.
	5. Bent or loose Idler pulley	5. Tighten or replace pulley.
Poor Snow Discharging	1. Clogged discharge chute.	1. Stop engine and unclog discharge chute.
	2. Damaged or bent auger or components.	2. Service auger or components.
	3. Cracked, severed or frayed belt.	3. Replace belt.
	4. Belt tension out of adjustment.	4. Adjust belt tension.
	5. Auger flight shoes damaged or missing.	5. Replace flight shoes.

SERVICE SCHEDULE

ITEM	SERVICE PERFORMED	REF.	EACH USE	5 HRS	25 HRS	50 HRS	100 HRS	EACH SEASON
Spark Plug	Replace	Engine Manual.					X	
Engine Cooling System	Clean Shroud & Fins	Engine Manual & Page 10					X	
Drive Belts	Check For Wear And Tension & Replacement	Pages 10-11			X	X		X
Auger & Flightings	Check For Wear, Damage & Replacement	Pages 10-11	X					

4.2. MAINTENANCE/REPLACEMENT PARTS

MAINTENANCE PARTS	
Auger Drive Belt	4-1947
Auger Clutch Control Cable	1-8796
Scraper Blade	2-8427
Auger Flite Shoe Kit	6-0631
Parts Manual for SX Model Series 0 Snow Thrower Models: SX5200R, SX5200E	06016



SNAPPER®

3 YEAR LIMITED WARRANTY

For three (3) years from purchase date for the original purchaser's residential, non-commercial use, **SNAPPER**, through any authorized **SNAPPER** dealer will replace, free of charge (except for taxes where applicable), any part or parts found upon examination by the factory at McDonough, Georgia, to be defective in material or workmanship or both.

For ninety (90) days from purchase date for the original purchaser's commercial, rental, or other non-residential use, **SNAPPER**, through any authorized **SNAPPER** dealer will replace, free of charge, any part or parts found upon examination by the factory at McDonough, Georgia, to be defective in material or workmanship or both.

All transportation costs incurred by the purchaser in submitting material to an authorized **SNAPPER** dealer for replacement under this warranty must be paid by the purchaser.

This warranty does not apply to engines and their components, and batteries, as these items are warranted separately. This warranty does not apply to parts that have been damaged by accident, alteration, abuse, improper lubrication, normal wear, or other cause beyond the control of **SNAPPER**. This warranty does not cover any machine or component part that has been altered or modified changing safety, performance, or durability.

Batteries have a one (1) year prorated warranty period with free replacement if required during the first ninety (90) days from the original purchase date. **SNAPPER** will not be responsible for any installation cost incurred. The battery warranty only covers original equipment batteries and does not cover damage to the battery or machine caused by neglect or abuse, destruction by fire, explosion, freezing, overcharging, improper maintenance, or use of improper electrolyte.

There is no other express warranty.

DISCLAIMER OF WARRANTY

Implied warranties, including those of merchantability and fitness for a particular purpose, are limited to three (3) years from purchase date for the original purchaser's residential or other non-commercial use, and ninety (90) days from purchase for the original purchaser's commercial, rental or other non-residential use, and to the extent permitted by law, any and all implied warranties are excluded. This is the exclusive remedy. Liabilities for consequential damages, under any and all warranties are excluded.

Some states do not allow limitations on how long an implied warranty lasts, or do not allow the exclusion or limitation of incidental or consequential damages, so the above limitation or exclusion may not apply to you.

This warranty gives you specific legal rights, and you may also have other rights which vary from state to state.

WARNING: THE USE OF REPLACEMENT PARTS OTHER THAN GENUINE SNAPPER PARTS MAY IMPAIR THE SAFETY OF SNAPPER PRODUCTS AND WILL VOID ANY LIABILITY AND WARRANTY BY SNAPPER ASSOCIATED WITH THE USE OF SUCH PARTS.

IMPORTANT: Please fill out the attached **SNAPPER** Product Registration Card immediately and mail to:
Snapper's Product Registration Center, P.O. Box 1379, McDonough, Georgia 30253

Safety Instructions & Operator's Manual for

SNAPPER®

SINGLE STAGE EXTENDED FRAME SNOW THROWER SERIES 0

IMPORTANT

Snapper products are built using engines that meet or exceed all applicable emissions requirements on the date manufactured. The labels on those engines contain very important emissions information and critical safety warnings. Read, Understand, and Follow all warnings and instructions in this manual, the engine manual, and on the machine, engine and attachments. If you have any questions about your Snapper product, contact your local authorized Snapper dealer or contact Snapper Customer Service at Snapper, McDonough, GA. 30253. Phone: (1-800-935-2967).



WARNING

BATTERY POSTS, TERMINALS AND RELATED ACCESSORIES CONTAIN LEAD AND LEAD COMPOUNDS, CHEMICALS KNOWN TO THE STATE OF CALIFORNIA TO CAUSE CANCER AND BIRTH DEFECTS OR OTHER REPRODUCTIVE HARM. WASH HANDS AFTER HANDLING.



WARNING

ENGINE EXHAUST, SOME OF ITS CONSTITUENTS, AND CERTAIN VEHICLE COMPONENTS CONTAIN OR EMIT CHEMICALS KNOWN TO THE STATE OF CALIFORNIA TO CAUSE CANCER OR OTHER REPRODUCTIVE HARM.

SNAPPER® McDonough, GA., 30253 U.S.A.