

Save This Manual For
Future Reference

SEARS

**owners
manual**

**Model No.
113.248211**

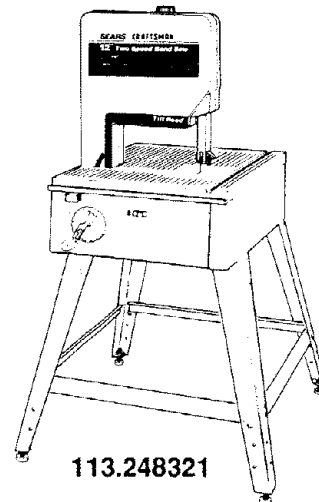
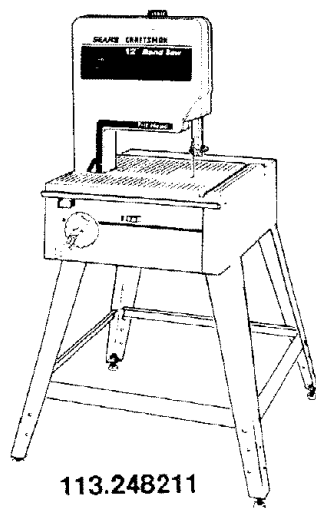
Single Speed Band Saw
with Leg Set

**Model No.
113.248321**

Two Speed Band Saw
with Leg Set

Serial
Number _____
Model and serial number
may be found at the
left-hand side of the base.
You should record both
model and serial number
in a safe place for future
use.

**FOR YOUR
SAFETY:**
Read ALL
INSTRUCTIONS
CAREFULLY.



SEARS / CRAFTSMAN

12-INCH BAND SAW

- assembly
- operating
- repair parts

Sold by SEARS, ROEBUCK AND CO., Chicago, IL. 60684 U.S.A.

FULL ONE YEAR WARRANTY ON CRAFTSMAN BAND SAW

If within one year from the date of purchase, this Craftsman Saw falls due to a defect in material or workmanship, Sears will repair it, free of charge.

WARRANTY SERVICE IS AVAILABLE BY SIMPLY CONTACTING THE NEAREST SEARS SERVICE CENTER/DEPARTMENT THROUGHOUT THE UNITED STATES.

This warranty applies only while this product is used in the United States.

This warranty gives you specific legal rights and you may also have other rights which vary from state to state.

SEARS, ROEBUCK AND CO., D/817 WA Hoffman Estates, IL. 60195

TABLE OF CONTENTS

Section Title	Page Number		Page Number
Safety Instructions for Band Saw	2	Location and Function of Controls	27
Glossary of Terms for Woodworking	6	On-Off Switch.....	27
Electrical Connections	6	Tilting Head for Bevel Cut	27
General Information	8	Adjusting Bevel Lock Knob	27
Model Description	8	Basic Band Saw Operation	28
Unpacking and Checking Contents	8	Circle Cutting	31
Assembly and Alignment	11	Sawdust Collection	31
Assembling Leg Set	11	Installing Sanding Attachment	32
Adjusting Leveling Feet	13	Installing the Sanding Belt	32
Attaching the Handwheel	13	Installing 1/16" Blade and	
Mounting the Motor	14	Blade Guides	33
Connecting the Motor.....	17	Scrolling	34
Selecting Blade Speed	18	Recommended Accessories	36
Recommended Speed Settings	18	Maintenance	36
Changing Speed Settings	18	Trouble Shooting - All Models	37
Attaching Trim Caps	18	Trouble Shooting - Motor	38
Getting to Know Your Band Saw	19	Parts Lists	40
Installing the Blade	20	Drive Assembly	40
Aligning the Blade and		Base Components	42
Blade Guide Assemblies	22	Bevel Drive and Motor Mount	
Mounting the Front Table	24	Assembly Parts.....	44
Squaring the Blade to the Table	26	Leg Set	46
Adjusting Front Table	26		

Safety Instructions for Band Saw

SAFETY SIGNAL WORDS

DANGER: means if the safety information is not followed someone **will** be seriously injured or killed.

WARNING: means if the safety information is not followed someone **could** be seriously injured or killed.

CAUTION: means if the safety information is not followed someone **might** be injured.

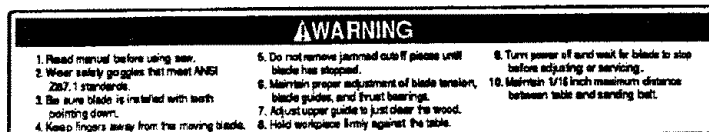
Safety is a combination of common sense, staying alert and knowing how your band saw works. Read this manual to understand this saw.

BEFORE USING THE SAW:

WARNING: To avoid mistakes that could cause serious, permanent injury, do not plug the saw in until the following steps are completed.

- Assembly and alignment. (See pages 11 - 18)
- Learn the use and function of the ON-OFF switch, bevel handwheel, bevel lock knob, blade guides, backup bearings, guide bar lock knob, and blade guard (See page 19.)
- Review and understanding of all safety instructions and operating procedures in is manual.
- Review of the maintenance methods for this saw. (See page 36.)

Read the following **WARNING** labels found on the front of the saw:



WHEN INSTALLING OR MOVING THE SAW

AVOID DANGEROUS ENVIRONMENT. Use the saw in a dry, indoor place protected from rain. Keep work area well lighted.

To avoid injury from unexpected saw movement:

- Put the saw on a firm level surface where there is plenty of room for handling and properly supporting the workpiece.
- Support the saw so the table is level and the saw does not rock.
- Bolt the saw to the floor or work surface if it tends to slip, walk, or slide during operations like cutting long, heavy boards.
- Turn saw off and unplug cord before moving the saw.

To avoid injury or death from electrical shock:

- **GROUND THE SAW.** This saw has an approved 3-conductor cord and a 3-prong grounding type plug. Use only 3-wire grounded outlets rated 120 volts, 15 amperes (amps). The green conductor in the cord is the grounding wire. To avoid electrocution, NEVER connect the green wire to a live terminal.
- Make sure your fingers do not touch the plug's metal prongs when plugging or unplugging the saw.

To avoid back injury, get help or use recommended casters when you need to move the saw. Always get help if you need to lift the saw.

NEVER STAND ON TOOL. Serious injury could occur if the tool tips or you accidentally hit the cutting tool. Do not store anything above or near the tool where anyone might stand on the tool to reach them.

BEFORE EACH USE:

Inspect your saw.

DISCONNECT THE SAW. To avoid injury from accidental starting, unplug the saw, turn the switch off and remove the switch key before changing the setup, removing covers, guards, blade or sanding belt.

CHECK DAMAGED PARTS. Check for:

- alignment of moving parts,
- binding of moving parts,

- broken parts,
- stable mounting, and
- any other conditions that may affect the way the saw works

If any part is missing, bent, or broken in any way, or any electrical parts don't work properly, turn the saw off and unplug the saw. REPLACE damaged, missing, or failed parts before using the saw again.

MAINTAIN TOOLS WITH CARE. Keep the saw clean for best and safest performance. Follow instructions for lubricating.

REMOVE ADJUSTING KEYS AND WRENCHES from tool before turning it on.

To avoid injury from jams, slips or thrown pieces or broken blades:

- Use of right blade size, style and cutting speed for the material and the type of cutting you plan to do.
- **USE ONLY RECOMMENDED ACCESSORIES.** (See page 36.) Consult this Owner's manual for recommended accessories. Follow the instructions that come with the accessories. The use of improper accessories may cause risk of injury to persons.
- Make sure the blade teeth point downward, toward the table.
- Make sure the blade guides and thrust bearings are properly adjusted.
- Make sure the blade or sanding belt tension is properly adjusted.
- Before sanding, adjust the sanding platen to clear the table by no more than 1/8 of an inch.
- Make sure the bevel clamp is tight and no parts have excessive play.
- To avoid accidental blade contact, minimize blade breakage and provide maximum blade support, always adjust the upper blade guide and blade guard to just clear the workpiece.
- **KEEP WORK AREA CLEAN.** Cluttered areas and benches invite accidents. Floor must not be slippery.

To avoid burns or other fire damage, never use the saw near flammable liquids, vapors or gases.

Plan ahead to protect your eyes, hands, face and ears.

KNOW YOUR SAW. Read and understand the owner's manual and labels affixed to the tool. Learn its application and limitations as well as the specific potential hazards peculiar to this tool.

To avoid injury from accidental contact with moving parts, don't do layout, assembly, or set up work on the saw while any parts are moving.

AVOID ACCIDENTAL STARTING. Make sure switch is "OFF" before plugging saw into a power outlet.

Plan your work.

- USE THE RIGHT TOOL. Don't force tool or attachment to do a job it was not designed to do.
- Use model 113.248211 to cut and sand only wood, wood like products, and plastics.

CAUTION: To avoid blade breakage, fire or other damage to the saw, NEVER use model 113.248211 to cut metals.

- Use model 113.248321 to cut and sand only wood, wood like products, plastics and non-ferrous metals.

CAUTION: Models 113.248321 is NOT designed for cutting or sanding ferrous metals like iron or steel. When cutting or sanding non-ferrous metals (brass, copper and aluminum, etc.), metal shavings can react with wood dust and start a fire. To avoid this:

- Disconnect any type of dust collecting hose from the saw.
- Remove all traces of wood dust from inside the saw.
- Remove all metal shavings from inside the saw before sawing wood again.

Dress for safety.



Any power saw can throw foreign objects into the eyes. This can cause permanent eye damage. Wear safety goggles (not glasses) that comply with ANSI Z87.1 (shown on package). Everyday eyeglasses have only impact resistant lenses. They are not safety glasses. Safety goggles are available at Sears retail catalog stores. Glasses or goggles not in compliance with ANSI Z87.1 could seriously hurt you when they break.

- Do not wear loose clothing, gloves, neckties or jewelry (rings, wrist watches). They can get caught and draw you into moving parts.
- Wear nonslip footwear.
- Tie back long hair.
- Roll long sleeves above the elbow.
- Noise levels vary widely. To avoid possible hearing damage, wear ear plugs or muffs when using saw for hours at a time.
- For dusty operations, wear a dust mask along with the safety goggles.

Inspect your workpiece.

Make sure there are no nails or foreign objects in the part of the workpiece to be cut.

Use extra caution with large, very small or awkward workpieces:

- Use extra supports (tables, saw horses, blocks, etc.) for any workpieces large enough to tip when not held down to the table top.
- NEVER use another person as a substitute for a table extension, or as additional support for a workpiece that is longer or wider than the basic saw table, or to help feed, support or pull the workpiece.
- When cutting irregularly shaped workpieces, plan your work so it will not pinch the blade. A piece of molding, for example, must lay flat or be held by a fixture or jig that will not let it twist, rock or slip while being cut.
- Properly support round material such as dowel rods, or tubing. They have a tendency to roll during a cut, causing the blade to "bite". To avoid this, always use a "V" block or clamp the work to the miter gage.
- Cut only one workpiece at a time.

- Clear everything except the workpiece and related support devices off the table before turning the saw on.

Plan the way you will hold the workpiece from start to finish.

Do not hand hold pieces so small that your fingers will go under the blade guard. Use jigs or fixtures to hold the work and keep your hands away from the blade.

SECURE WORK. Use clamps to hold work when practical. It's often safer than using your hand, and frees both hands to operate the tool.

Avoid awkward operations and hand positions where a sudden slip could cause fingers or hand to move into the blade or sanding surface.

DON'T OVERREACH. Keep good footing and balance.

WHENEVER SAW IS RUNNING.

WARNING: Don't let familiarity (gained from frequent use of your band saw) cause a careless mistake. A careless fraction of a second is enough to cause a severe injury.

Before starting your cut, watch the saw while it runs. If it makes an unfamiliar noise or vibrates a lot, stop immediately. Turn the saw off. Unplug the saw. Do not restart until finding and correcting the problem.

KEEP CHILDREN AWAY. Keep all visitors a safe distance from the saw. Make sure bystanders are clear of the saw and workpiece.

DON'T FORCE TOOL It will do the job better and safer at its designed rate. Feed the workpiece into the saw blade only fast enough to let it cut without bogging down or binding.

Before freeing any jammed material:

- Turn switch "OFF".
- Remove switch key.
- Unplug the saw.
- Wait for all moving parts to stop.

When backing up the workpiece, the blade may bind in the kerf (cut). This is usually caused by sawdust clogging up the kerf or because the blade comes out of the guides. If this happens:

- Turn switch "OFF".
- Remove switch key.
- Unplug saw.
- Wait for all moving parts to stop.
- Remove band saw cover.
- Stick flat blade screwdriver or wedge into the kerf.
- Turn the upper wheel by hand while backing up the workpiece.

Before removing loose pieces from the table, turn saw off and wait for all moving parts to stop.

BEFORE LEAVING THE SAW:

Wait for all moving parts to stop.

Make workshop child-proof. Lock the shop. Disconnect master switches. Remove the yellow switch key. Store it away from children and others not qualified to use the tool.

glossary of terms for woodworking

BOTH MODELS

Beveling

An angle cutting operation through the face of the board.

Crosscut

A cutting operation made across the width of the workpiece.

Compound Cutting

A simultaneous bevel and miter cutting operation.

FPM

Feet per minute. Used in reference to surface speed of blade.

Freehand (as used for band saw)

Performing a cut without the workpiece properly supported on the work table.

Gum

A sticky, sap based residue from wood products.

Kerf

The material removed by the blade in a through cut or the slot produced by the blade in a non-through or partial cut.

Leading End

The end of the workpiece which is pushed into the cutting tool first.

Mitering

An angle cutting operation made across the width of the workpiece.

Push Stick

A device used to feed the workpiece through the saw during narrow ripping type operations so the operator's hands are kept well away from the blade.

Resaw

A cutting operation to reduce the thickness of the workpiece to make thinner pieces.

Resin

A sticky, sap based substance that has dried.

Ripping

A cutting operation along the length of the workpiece.

Sawblade Path

The area of the worktable or workpiece directly in line with the saw blade.

Set

The distance the tip of the saw blade tooth is bent outward from the face of the blade.

Trailing End

The workpiece end last cut by the saw blade.

Workpiece

The item on which the cutting operation is being performed. The surfaces of a workpiece are commonly referred to as faces, ends, and edges.

Worktable

The surface on which the workpiece rests while performing a cutting or sanding operation.

electrical connections

BOTH MODELS

POWER SUPPLY

Motor Specifications

The A-C motor used in this saw is a capacitor-start, non-reversible type having the following specifications:

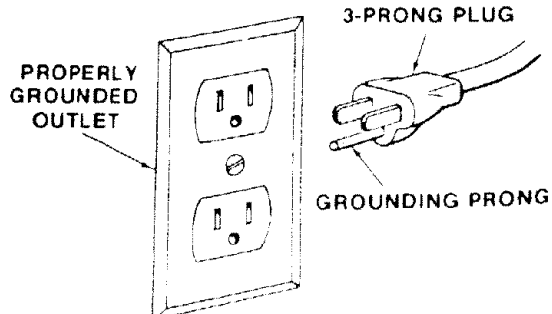
	113.248321	113.248211
Rated H.P.	5/8	1/2
Maximum Developed H.P.	1-1/8	1
Voltage	120	120
Amperes	7.9	7.9
Hertz (Cycles)	60	60
Phase	Single	Single
RPM	1725	1725
Rotation of Shaft	Clock-	Clock-
	wise	wise

WARNING: To avoid electrical hazards, fire hazards, or damage to the tool, use proper circuit protection. Your saw is wired at the factory for 120v operation. Connect to a 120v, 15-amp, branch circuit and use a 15-amp fuse or circuit breaker.

WARNING: To avoid shock or fire, if power cord is worn or cut, or damaged in any way, have it replaced immediately.

WARNING: If not properly grounded this power tool can cause electrical shock - particularly when used in damp locations close to plumbing. If an electrical shock occurs there is also the potential of a secondary hazard such as your hands contacting the sawblade. Not all outlets are properly grounded. If you are not sure that your outlet is properly grounded, have it checked by a qualified electrician.

Your unit has a plug that looks like the one shown below.



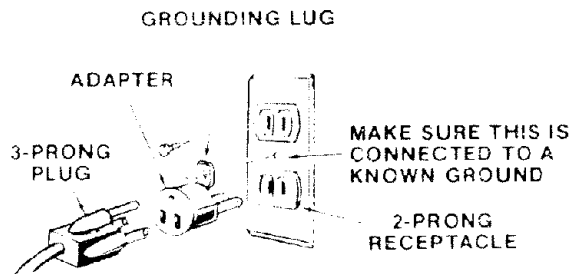
This power tool is equipped with a 3-conductor cord and ground type plug listed by Underwriters' Laboratories. The ground conductor has a green jacket and is attached to the tool housing at one end and to the ground prong in the attachment plug at the other end.

This plug requires a mating 3-conductor grounded type outlet as shown above.

WARNING: To maintain proper tool grounding whenever the outlet you are planning to use for this power tool is of the two prong type, do not remove or alter the grounding prong in any manner. Use an adapter as shown and always connect the grounding prong to known ground.

Have a qualified electrician replace the two prong outlet with a properly grounded three prong outlet.

An adapter as shown is available for connecting the plug to a 2-prong receptacles. The green grounding lead extending from the adapter must be connected to a permanent ground such as properly grounded outlet box.



WARNING: The adapter illustrated is for use only if you already have a properly grounded 2-prong receptacle.

MOTOR SAFETY PROTECTION

NOTICE: To avoid motor damage this motor should be blown out or vacuumed frequently to keep sawdust from interfering with normal motor ventilation.

1. This tool should be connected to a 120v, 15 amp branch circuit with a 15 amp fuse or circuit breaker. Failure to use the proper size fuse can result in damage to the motor.
2. If the motor fails to start, turn the power switch to the "OFF" position immediately. **UNPLUG THE TOOL.**

Check the saw blade to make sure it turns freely. If the blade is free, try to start the motor again. If the motor still does not start, refer to the "Motor Troubleshooting Chart."

3. If the motor suddenly stalls while cutting wood, turn the power switch off, unplug the tool, and free the blade from the wood. The motor may now be re-started and the cut finished.
4. Frequent "blowing" of fuses or tripping of circuit breakers may result if:
 - a. **MOTOR IS OVERLOADED** - Overloading can occur if you feed too rapidly.
 - b. **LOW VOLTAGE** - Although the motor is designed for operation on the voltage and frequency specified on the motor nameplate, normal loads will be handled safely on voltages not more than 10% above or below the nameplate voltage. Heavy loads, however, require voltage at motor terminals equals the voltage specified on nameplate.
5. Most motor troubles may be traced to loose or incorrect connections, overload, reduced input voltage (such as small size wire in the supply circuit) or to overly long supply circuit wire. Always check the connections, the load and the supply circuit whenever motor fails to perform satisfactorily. Check wire size and length with the Wire Size Chart below.

WIRE SIZES

The use of any extension cord will cause some loss of power. To keep this to a minimum and to prevent overheating and motor burn-out, use the table below to determine the minimum wire size (A.W.G.) extension cord. Use only 3-wire extension cords which have 3-prong grounding type plugs and 3-pole receptacles which accepts the tools plug.

CAUTION: For circuits that are farther away from electrical service box, the wire size must be increased proportionately in order to deliver ample voltage to the saw motor.

Length of the Conductor	120 Volts Wire Sizes Required (American Wire Gage Number)
0 - 25 Ft.	16
26 - 50 Ft.	14
51 - 100 Ft.	12

general information

BOTH MODELS

1. This manual is for the following Models - 113.248211 and 113.248321. All sections are labeled with the correct model number. Follow **ONLY** instructions that are meant for your model saw.
2. If you are missing any part(s) while putting your saw together, do not continue assembly. Contact your Sears Service Center or Retail Store and get the missing part(s) before continuing assembly or trying to use the saw.
Complete parts lists are located at the end of this manual. Use these lists to identify the number of any missing part.
3. Sometimes small parts get lost in packaging materials. Do not throw away any packaging until your saw is put together. If you are missing a part, check packaging before contacting Sears.

MODEL DESCRIPTION

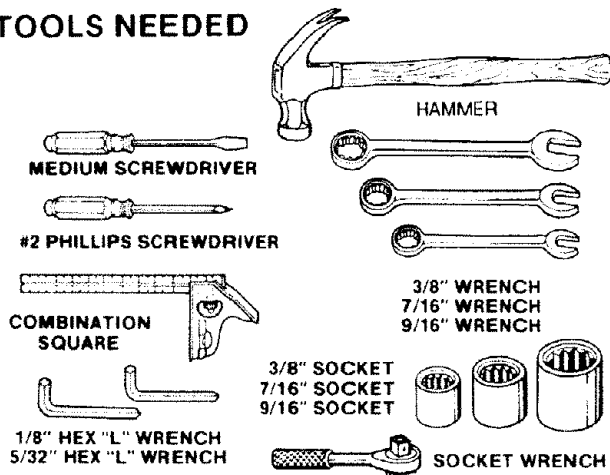
Model 113.248211: Manual Band Saw; 18 x 23 inch work table; single speed; 1/2 H.P. motor that develops 1 H.P.; legset.

Model 113.248321: Manual Band Saw; 27 x 23 inch work table; two speed; 5/8 H.P. motor that develops 1-1/8 H.P.; legset.

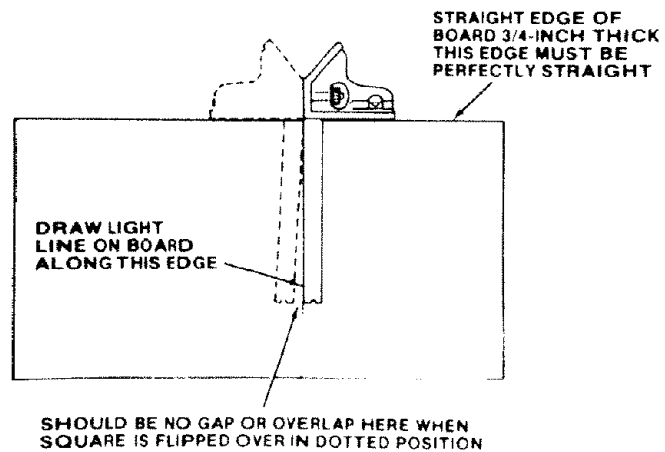
unpacking and checking contents

BOTH MODELS

TOOLS NEEDED



COMBINATION SQUARE MUST BE TRUE



WARNING: To avoid injury from unexpected starting or electrical shock, do not plug the saw in until all assembly and alignment steps are complete. The power cord must remain unplugged whenever you are working on the saw.

WARNING: If any parts are missing, do not attempt to assemble the band saw, plug in the power cord, or turn the switch on until the missing parts are obtained and are installed correctly.

Unpacking and Checking Contents

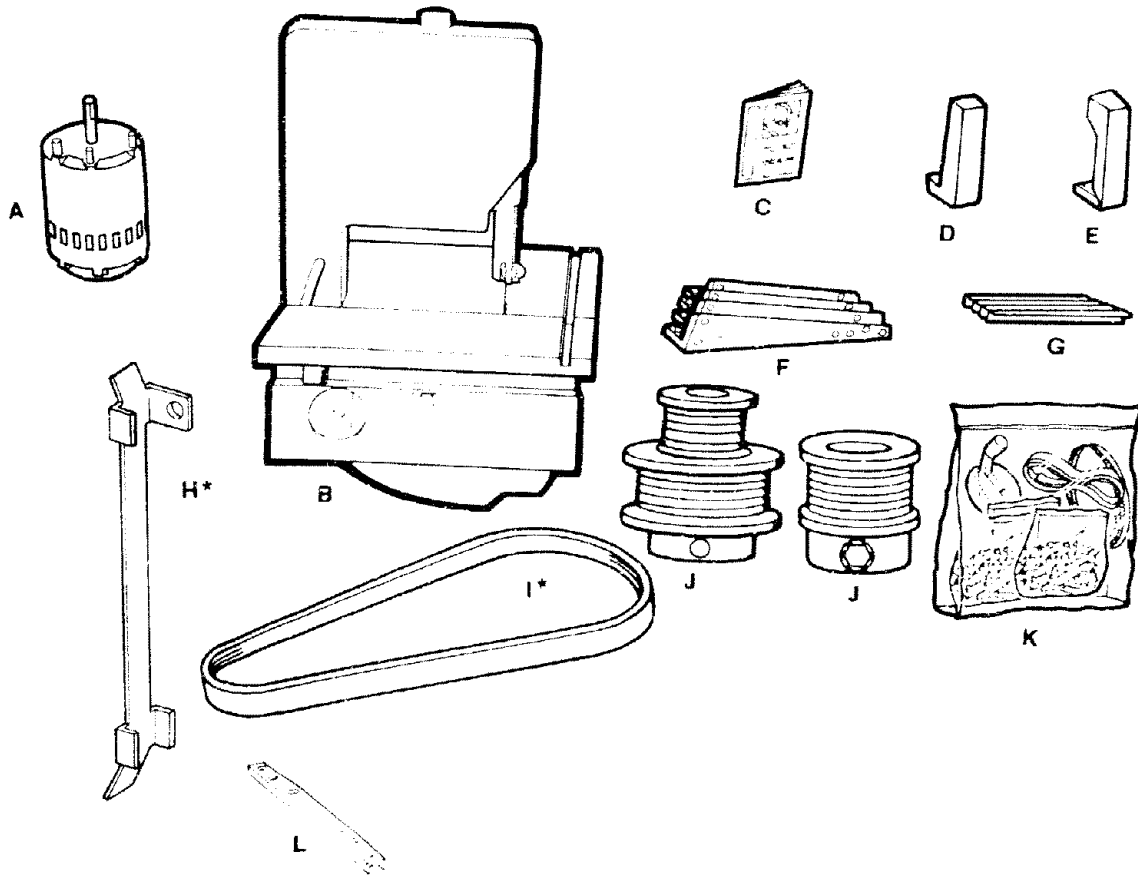
1. Separate all "loose parts" from packaging materials and check each item with "Table of Loose Parts" to make sure all items are accounted for, before discarding any packing material.

2. Remove front table and front cover first while saw is being unpacked. To remove the front cover, pull the cover at the neck and underside of throat area.

TABLE OF LOOSE PARTS

ITEM	DESCRIPTION	QTY.
A	Motor	1
B	Basic Saw Assembly	1
C	Owners Manual	1
D	Trim Cap, L.H.	1
E	Trim Cap, R.H.	1
F	Leg	4
G	Lower Stiffener	4
H	Sanding Platen	1
I	Poly "V" Drive Belt	1
J	Pulley	1
K	Loose Parts Bag containing the following items:	
	Band Saw Blade 1/4 x 80	1
	Sanding Belt 1/2 x 80	1
	Handwheel Assembly	1
	Bag of Loose Parts	3
L	Leg Channel	1

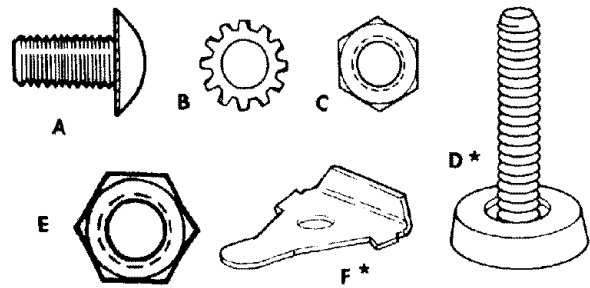
NOTE: To avoid damage to the band saw leave it laying on its left side until you are ready to mount it to the leg set or cabinet. To prevent scratching the finish, lay a piece of the packing box under the saw.



BOTH MODELS

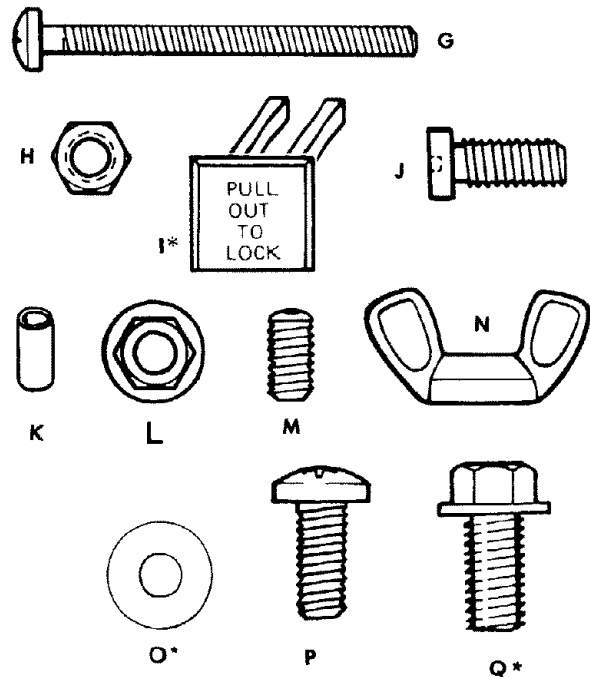
LIST OF LOOSE PARTS IN BAG

ITEM	DESCRIPTION	QTY.
A	Truss Head Screw 1/4-20 x 12	32
B	Lockwasher, External 1/4	32
C	Hex Nut 1/4 -20	32
D	Leveling Foot	4
E	Hex Jam Nut 3/8-16	8
F	Bracket Leg	4



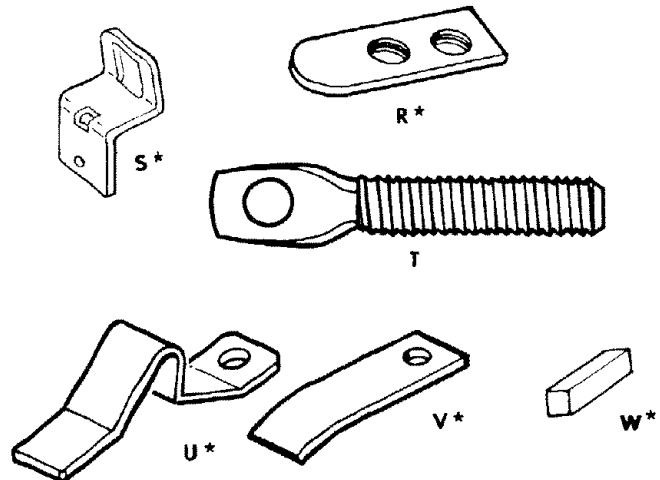
LIST OF LOOSE PARTS IN BAG

ITEM	DESCRIPTION	QTY.
G	Pan Hd. Screw 10-32 x 2	1
H	Hex Nut 10-32	1
I	Switch Key	1
J	Lo Hd. Screw Cap 1/4-20 x 5/8	2
K	Spacer #10 x 1/4	4
L	Hex Flange Lock Nut 10-32	4
M	Locking Setscrew 1/4-20 x 1/2	3
N	Wing Nut 5/16-18	1
O	Washer 7/32 x 1 x 1-1/16	1
O	Washer 13/64 x 5/8 x 1/32	2
P	Pan Hd. Screw Type TT 10-32 x 3/8	2
Q	Hex Hd. Screw Ty TT 1/4-20 x 5/8	4



LIST OF LOOSE PARTS IN BAG

ITEM	DESCRIPTION	QTY.
R	Table Alignment Key	1
S	Table Latch	2
T	Belt Tension Stud	1
U	Table Latch Spring	2
V	Table Alignment Spring	2
W	Key 3/16 Sq. x 15/16	1



*NOT SHOWN TO SCALE

assembly and alignment

BOTH MODELS

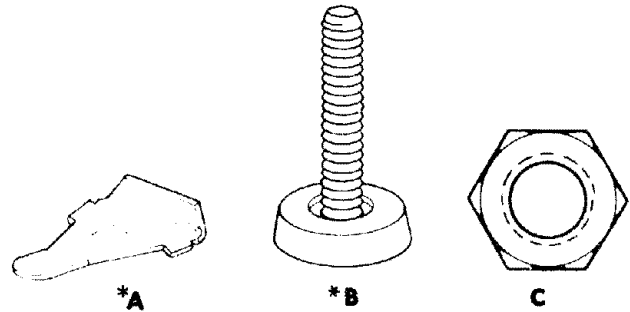
ATTACHING LEVELING FEET

From the loose parts bag find the following hardware:

ITEM	DESCRIPTION	QTY.
A	Support Bracket	4
B	Leveling Feet	4
C	Hex Nut 3/8-16	8

From the loose parts find the following items:

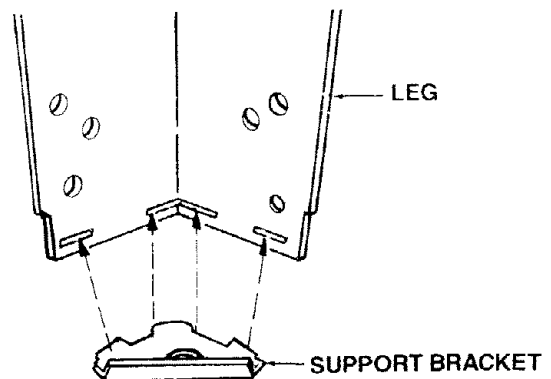
D	Leg	4
---	-----------	---



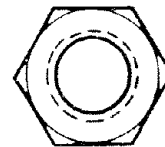
*D

*NOT SHOWN TO SCALE

1. Mount floor leveler support brackets inside legs. Line up the three tabs on brackets with slots on leg and tap into place. Make sure lip on bracket points up. Install the remaining three brackets the same way.

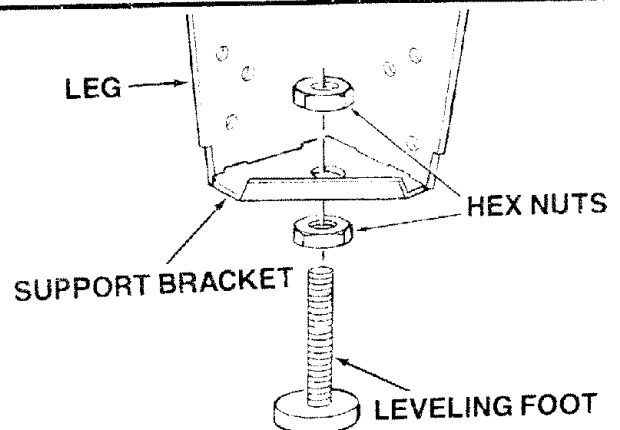


2. Put a hex nut on each of the leveling feet and screw it down towards the rubber foot.



3. Put the leveling feet through the holes in the bottom of the floor leveler support bracket.
4. Put another hex nut on each of the leveling feet and hand tighten until they are next to the support bracket.

WARNING: After the legset has been attached to the basic saw assembly, it will be necessary to adjust the leveling feet so the saw does not rock.



BOTH MODELS

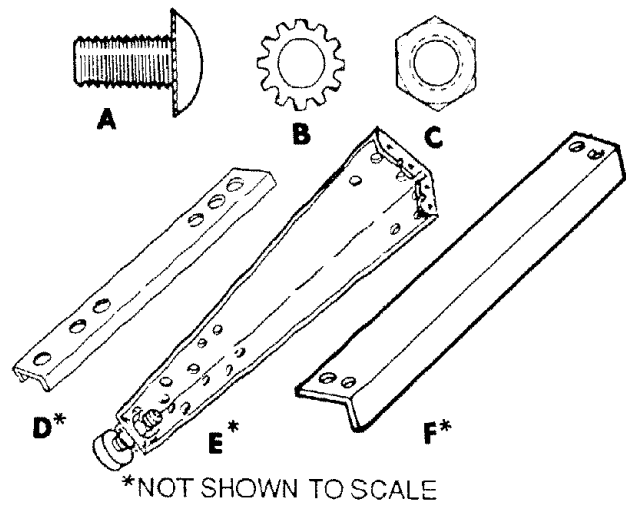
ATTACHING LEG SET

From the loose parts bag find the following hardware:

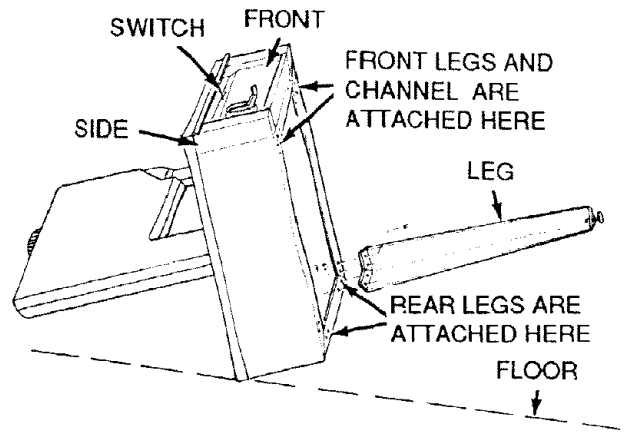
Item	Description	Qty.
A	Truss Head Bolts 1/4-20 x 1/2	32
B	Lockwashers External 1/4	32
C	Hex Nuts 1/4-20	32

From the loose parts find the following items:

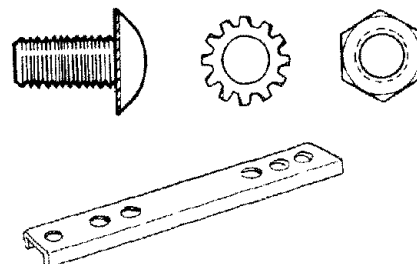
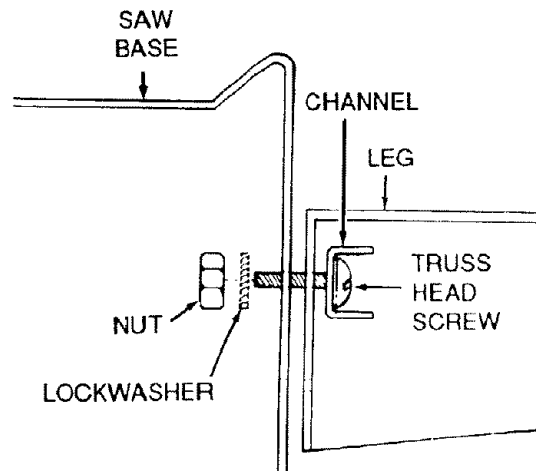
D	Leg Channel	1
E	Legs (with attached support brackets and leveling feet)	4
F	Lower Stiffeners	4



1. Lay a piece of cardboard on the floor to keep from scratching the saw.
2. Position the basic saw assembly on the floor as shown below. The back cabinet of the saw should be laying flat on the floor. It may be necessary to have someone help you lift the saw.

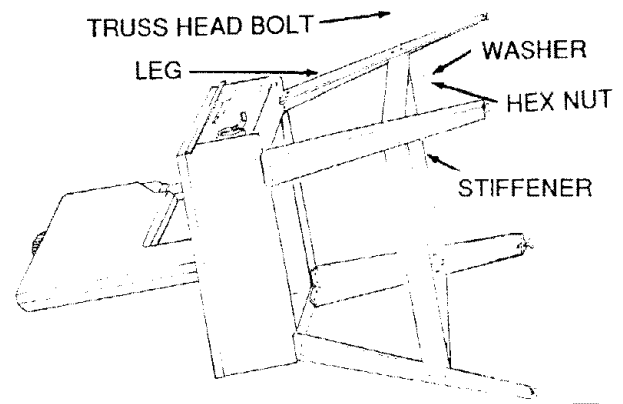


3. Mount the two *front* legs to the basic saw assembly using truss head bolts, lockwashers, and nuts. Make sure that the four (4) holes in each corner of the saw line up with the four (4) holes in the top of each leg. At this time only put bolts through the *sides* of the saw assembly *not* the front. Only fingertighten nuts.
4. Position the leg channel inside the legset as shown. Fasten the channel piece, leg, and saw together with two (2) truss headbolts on each side. The threaded section of the bolts should point towards the inside of the basic saw assembly. Put a lockwasher and hex nut on each bolt. Fingertighten nuts at this time.



Truss head screw, lockwasher, hex nut, and front channel piece

- Use truss head bolts, lockwashers, and hex nuts to mount the two (2) rear legs to the basic saw assembly. It may be necessary to slightly tilt the saw assembly backwards in order to get the four (4) holes in each corner of the saw to line up with the four (4) holes in the top of each leg. Finger tighten nuts at this time.
- Attach the four (4) lower stiffeners to the legs. Two (2) truss head bolts, washers, and hex nuts are required to hold each end of a lower stiffener in place. Only hand tighten hex nuts.



- Go back with a $\frac{7}{16}$ wrench or socket and tighten all hex nuts.
- Carefully lift the saw into its normal position. It may be necessary to have someone help you in order to avoid damaging the saw.

ADJUSTING LEVELING FEET

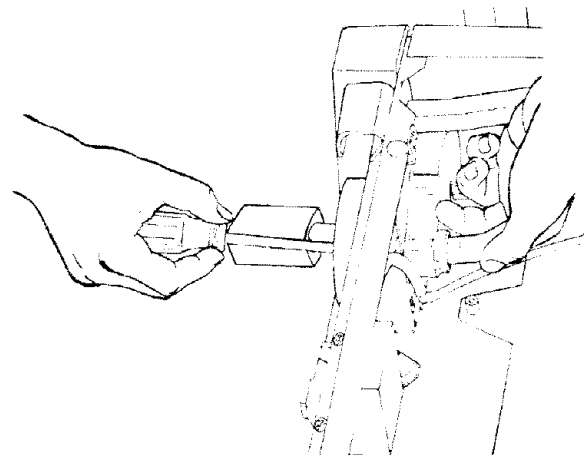
WARNING: To avoid injury from unexpected saw or work movement, leveling feet must be adjusted so that saw does not rock.

To adjust leveling feet so the saw will sit properly:

- Move saw to desired location.
- Raise or lower leveling foot by turning it clockwise or counterclockwise.
- Tighten nuts to lock leveling foot in place.

ATTACHING THE HANDWHEEL

- From loose parts bag find one (1) pan head screw 10-32 x 2 and one (1) hex nut. Install the handwheel. Reach inside the base to the back side of the bevel mechanism and put the nut in place. Hold the nut in place with a finger. Install the screw through the center of the handwheel and tighten with a phillips screwdriver.
- Hold the handle and pull the red release button with your finger to close the handle.

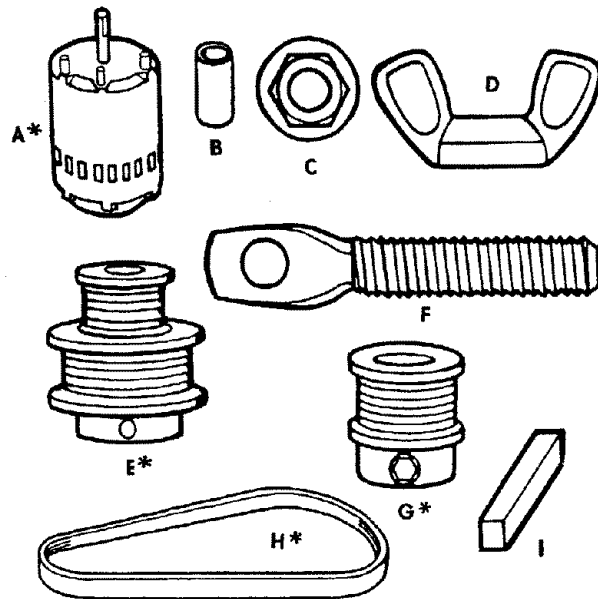


BOTH MODELS

MOUNTING THE MOTOR

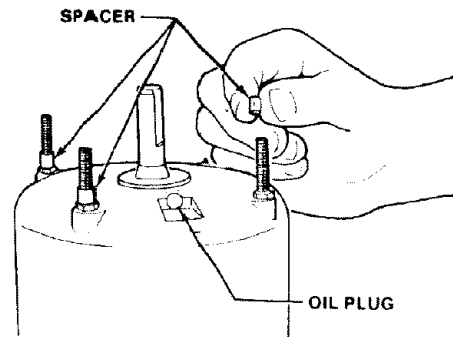
1. Find the following parts:

ITEM	DESCRIPTION	QTY.
A	Motor	1
B	Spacer (#10 x 1/4)	3
C	Flanged Locknut #10-32	4
D	Wing Nut 5/16-18	1
E	Motor Pulley w/Set Screw (Model 113.248321)	1
F	Belt Tension Stud	1
G	Motor Pulley w/Set Screw (Model 113.248211)	1
H	Poly "V" Belt	1
I	Key 3/16 Sq. x 15/16	1



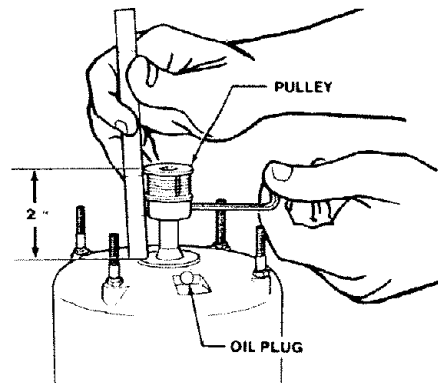
*NOT SHOWN TO SCALE

2. Place the three (3) spacers onto the three motor studs as shown. Pay attention to where the oil plug is located. No spacer goes on the fourth motor stud.



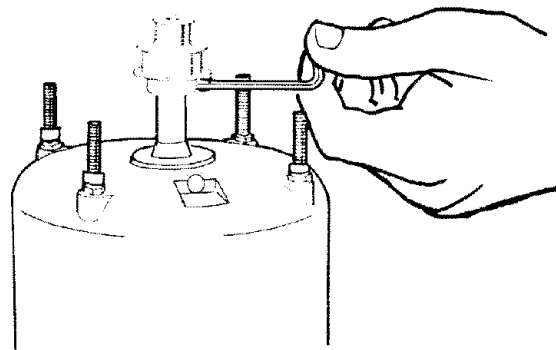
MODEL 113.248211 ONLY

3. Locate the correct motor pulley (has no step). Place the shaft key into the groove on the motor shaft. Align the groove in the pulley with the shaft key and install the motor pulley onto the motor shaft with the set screw boss toward the motor. Position the outer face of the pulley 2 inches from the end shield of the motor and tighten the set screw using a 1/8-inch hex "L" wrench.



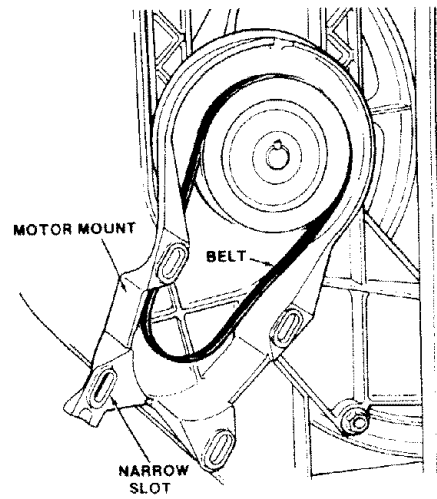
MODEL 113.248321 ONLY

4. Locate the correct motor pulley (Model 113.248211 has "one-step" pulley). Place the shaft key into the groove on the motor shaft. Align the groove in the pulley with the shaft key and install the motor pulley on the motor shaft with the setscrew boss toward the motor.

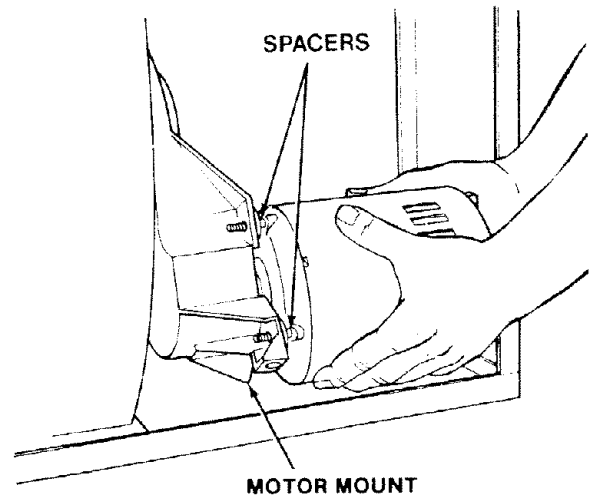


BOTH MODELS

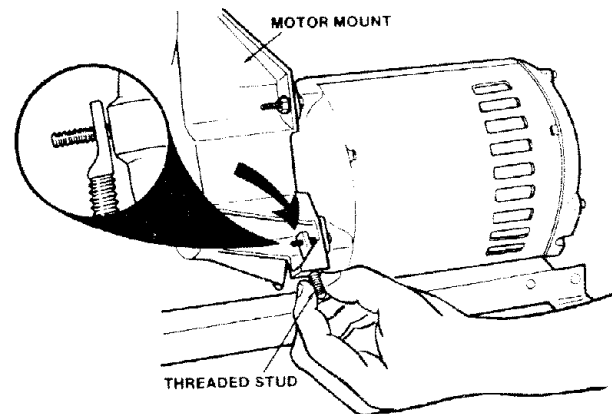
5. Place the Poly "V" belt into the motor mount as shown on the underside of the band saw.
6. Look at the motor mount and find the slot that is narrower than the other three. When mounting the motor, the motor stud without a spacer goes into this slot.



7. Carefully position the motor so that the poly "V" belt is around the motor pulley and the four motor studs align with the slots in the motor mount.
8. Push motor studs through and install the flanged lock nuts to the three (3) motor studs with spacers. Start the flanged nuts by hand only at this time.



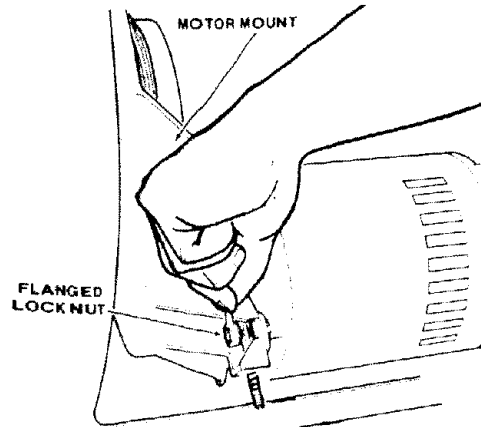
9. Install the threaded stud through the hole in the lower leg of the motor mount and over the motor stud as shown.



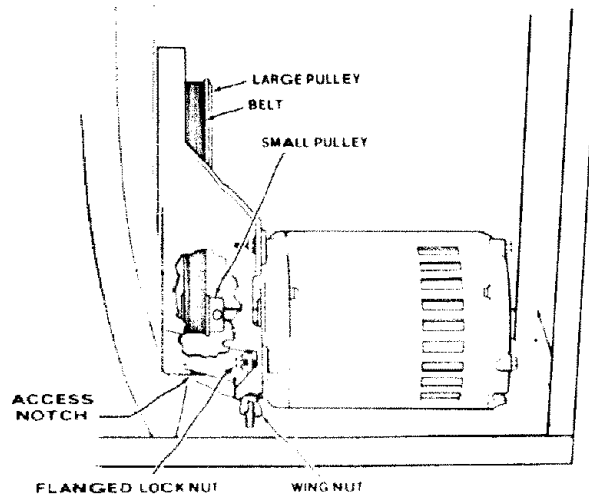
BOTH MODELS

3. Install a flanged lock nut onto this motor stud. Tighten the flanged lock nuts, using a $\frac{3}{8}$ -inch wrench, until almost tight. It will be easier to tighten lock nuts if the head is tilted to approximately 45° . See page 34 for instructions on tilting head.

NOTE: Do not over-tighten the flange nuts. The motor should slide in the grooves to allow tensioning of the belt.



1. Install the wing nut on the threaded stud.
2. Check that the poly "V" belt is on both pulleys being sure that it is centered on each pulley.
3. Check that the pulleys are in line by sighting down the side of the large pulley to see if it lines up with the small pulley. If the pulleys are not in line, loosen the set screw holding the pulley on the motor shaft and position the pulley. A notch in the small end of the motor support is provided for access to the set screw and belt.



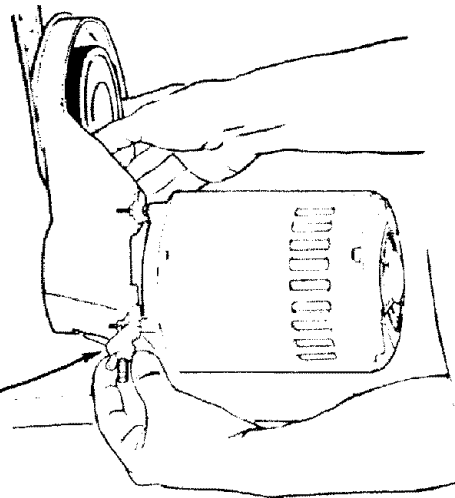
4. Belt tensioning is done by tightening the wing nut which pulls the motor down. The motor slides on the three (3) spacers and is locked in place by the flanged lock nuts on the threaded studs.

Belt tension is important. Over tensioning may cause vibration while too little tension may allow the belt to slip under heavy loads.

5. After belt tension is adjusted correctly, tighten all four flanged locknuts.

NOTE: When it becomes necessary to readjust belt tension, be sure to slightly loosen the four flanged lock nuts.

TIGHTEN FLANGE NUT AFTER TENSIONING BELT WITH WING NUT



BOTH MODELS

CONNECTING THE MOTOR

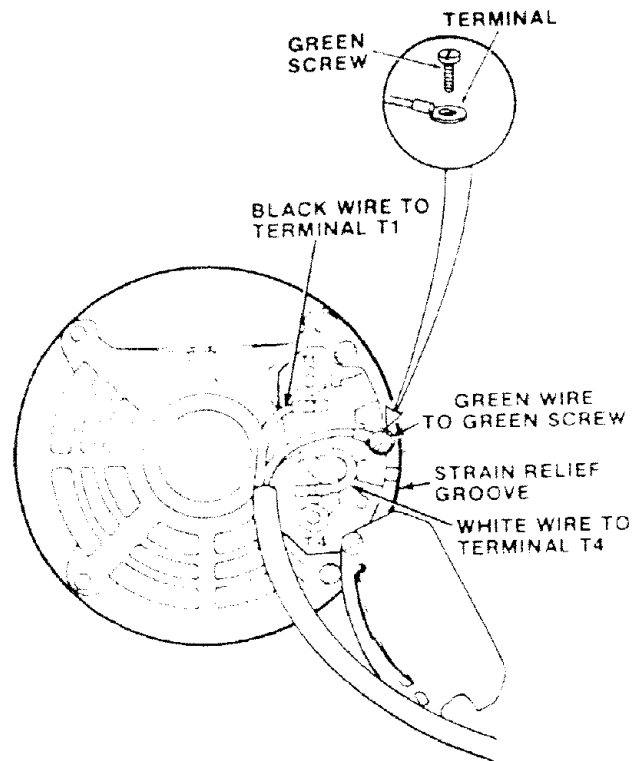
1. Next, the motor cord needs to be wired into the motor. Coming from the underside of the table will be a cord with a black, white and green wire. This is the motor cord.

WARNING: For your own safety, never plug the saw in until all assembly steps are completed.

2. Loosen the two screws holding the connector box cover on the back side of the motor. Swing the cover open.
3. Install the green ground wire by removing the green grounding screw and inserting it through the round metal terminal on the green ground wire of the motor cord. Reinstall the green screw into the hole from which it was removed and tighten securely.

WARNING: To avoid electrocution, never connect but the ground wire (colored green) to the green screw.

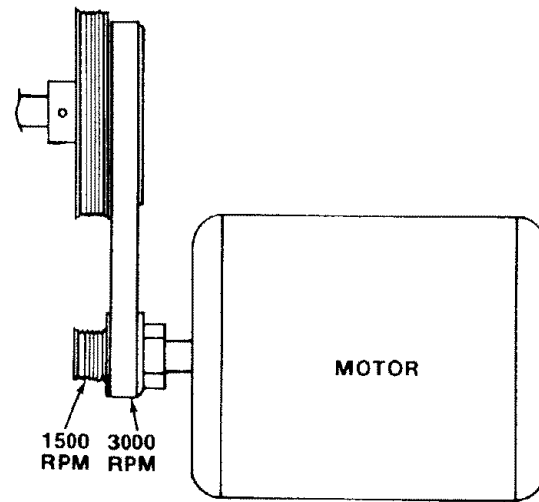
4. Insert terminal end of WHITE wire on spade terminal marked T4 on the motor. Push terminal firmly until seated.
5. Insert terminal end of BLACK wire on spade terminal marked T1 on the motor. Push terminal firmly until seated.
6. Close motor connector box being sure that power cord is seated in the largest strain relief groove and tighten box cover screws.
7. DO NOT plug in power cord.



MODEL 113.248321 ONLY

SELECTING BLADE SPEED

The band saw has two speed settings: 3000 FPM for normal operation and 1500 FPM for operation requiring more control of the work piece.



RECOMMENDED SPEED SETTINGS

1. 3000 Feet per Minute
 - a. Basic Wood Cutting.
 - b. ResawingMost effective with skip tooth, hook tooth, and regular tooth blades.
2. 1500 Feet per Minute
 - a. Intricate Wood Cutting
 - b. Veneers, Tile, Plastics
 - c. Non-Ferrous Metals (Brass, Copper, Aluminum.)Most effective with blades that have 15 teeth per inch.

CAUTION: Model 113.248321 is NOT designed for cutting or sanding ferrous metals like iron or steel. When cutting or sanding non-ferrous metals (brass, copper and aluminum, etc.), metal shavings can react with wood dust and start a fire. To avoid this:

- Disconnect any type of dust collecting hose from the saw.
- Remove all traces of wood dust from inside the saw.
- Remove all metal shavings from inside the saw before sawing wood, again.

CHANGING SPEED SETTING

WARNING: To avoid injury from unexpected starting or electric shock, do not plug the saw in. The power cord must remain unplugged whenever working on the saw.

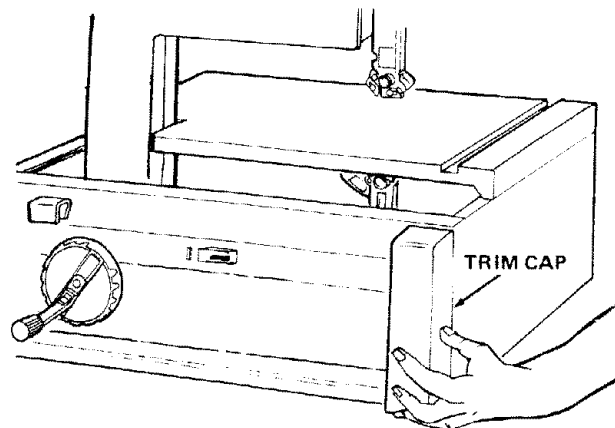
1. Slightly loosen the four (4) flanged lock nuts that are holding the motor to the motor mount.
2. Release tension on the poly "V" belt.
3. Push the motor up to create slack in the "V" belt.
4. While still holding the motor up, reposition the "V" belt.
5. Re-apply tension to motor belt by tightening the wing nut.
6. After belt tension is adjusted correctly, tighten all four (4) flanged lock nuts.

When changing speeds from 1500 to 3000 FPM, remove the belt from the band saw pulley first. When going from 3000 to 1500 FPM, remove the belt from the motor pulley first.

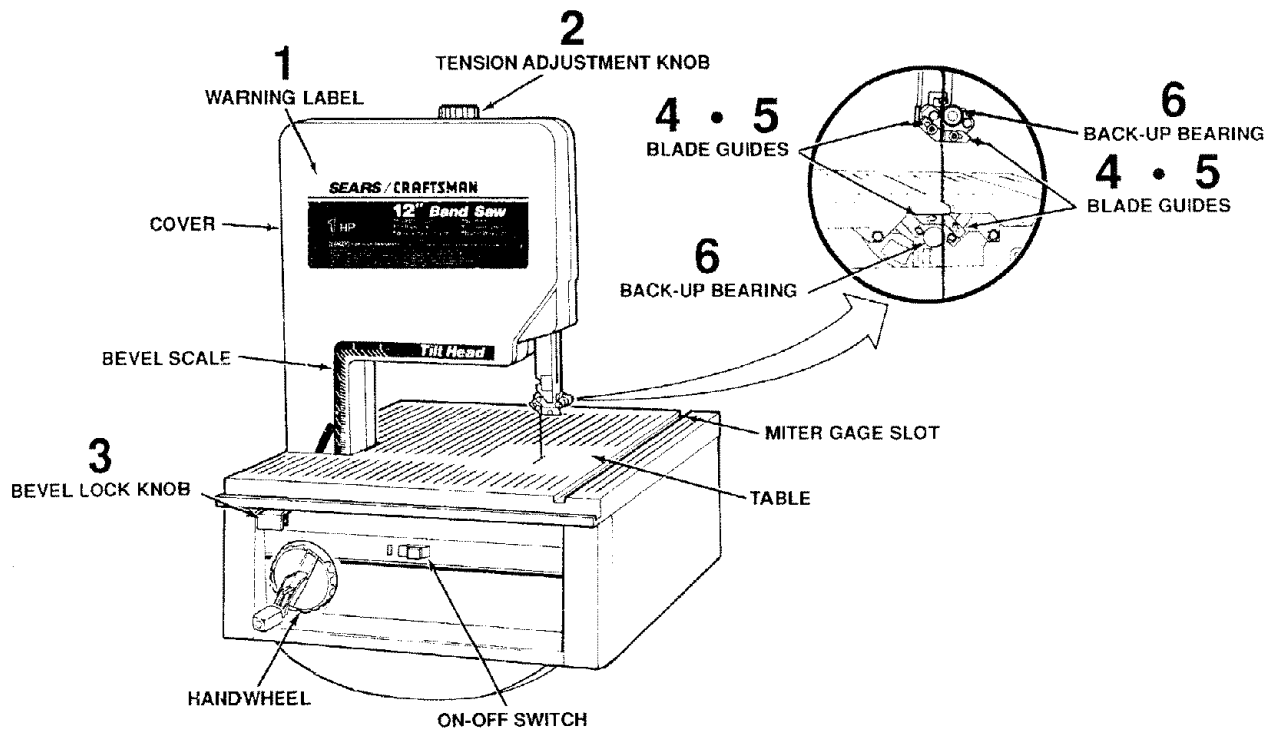
BOTH MODELS

ATTACHING TRIM CAPS

1. Find the left and right trim caps.
2. There are two plastic stubs on the back of each trim cap.
3. These stubs will snap into matching holes at the front corner of each saw.
4. Snap the left & right trim caps in place.

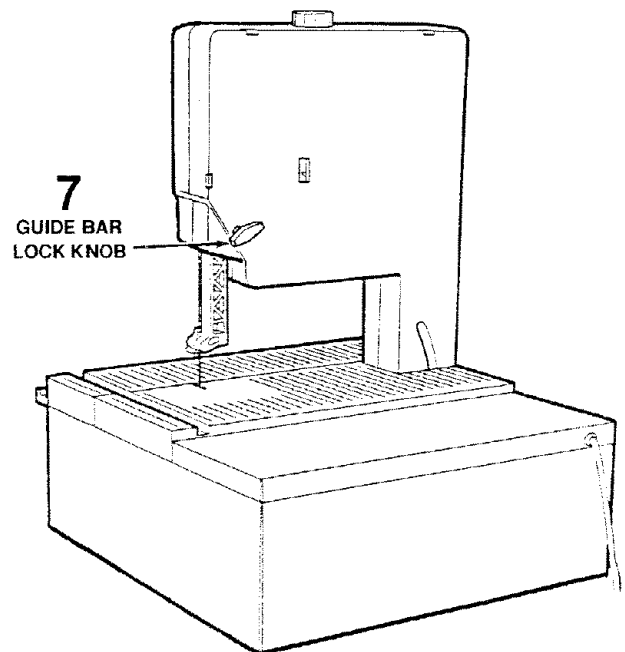


getting to know your band saw



BOTH MODELS

1. **Warning Label**
2. **Tensions Adjustment Knob** - Tightening the knob will increase the tension on the blade. Loosening it will decrease the tension. Clockwise to tension, counterclockwise to loosen.
3. **Setting Bevel Angle** - Pull the bevel lock knob and adjust the band saw to the desired angle by turning the handwheel, then push in the bevel lock to secure.
4. **Blade Guide Adjustment** - The guides can be adjusted in or out for various widths of blades and locked in place by the set screws.
5. **Lateral Blade Guide Adjustment** - The guides can be adjusted sideways and locked in position by the capscrews to prevent the blade from twisting during operation.
6. **Blade Backup Bearing Adjustment** - The thrust bearings can be adjusted in or out for various widths of blades and locked in place by the setscrews.
7. **Guide Bar Lock Knob** - The upper blade guides should just clear the workpiece while cutting. Always adjust the guides before turning on the band saw and lock the guide bar by tightening the knob.

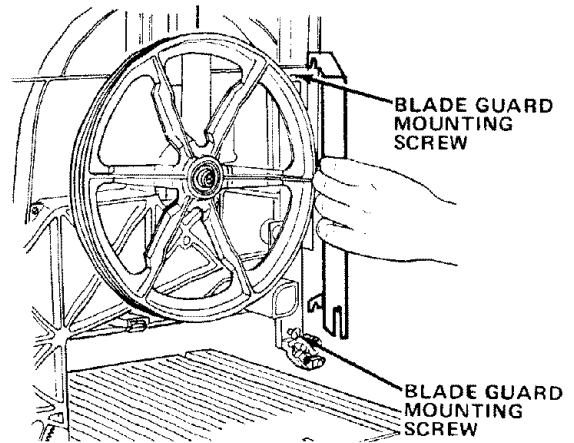


BOTH MODELS

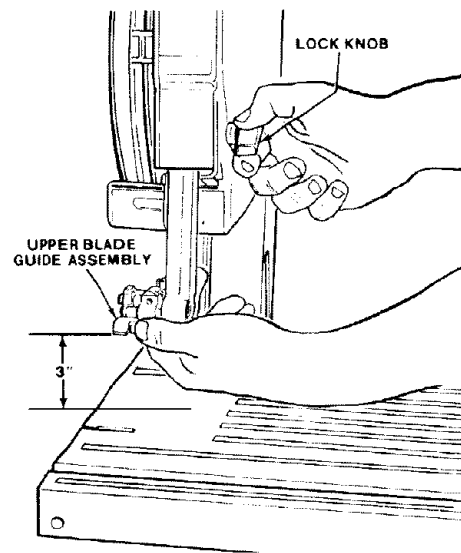
INSTALLING THE BLADE

WARNING: To avoid injury from accidental starting, make sure the power cord is unplugged before removing any part from the saw.

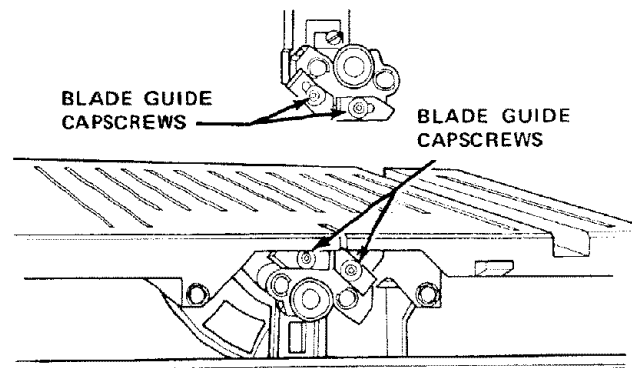
1. Remove the blade guard by loosening the two (2) mounting screws with a phillips screwdriver and lifting the blade guard upward.



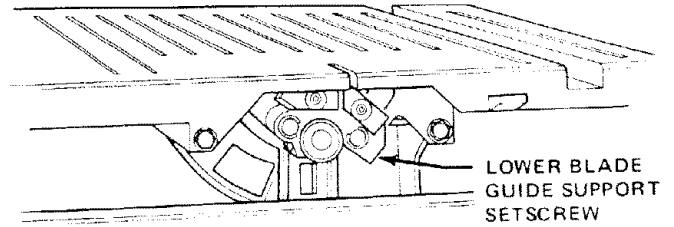
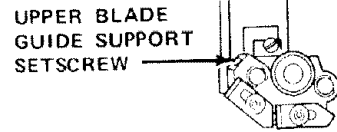
2. Loosen the upper blade guide assembly and lower to approximately 3 inches above rear table and retighten lock knob. This is necessary to make adjustments to blade guide and back up roller bearing.



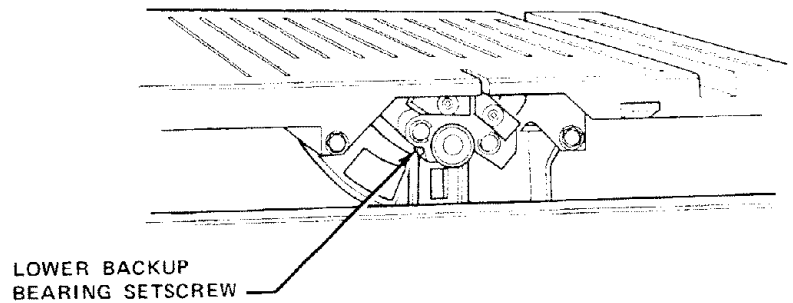
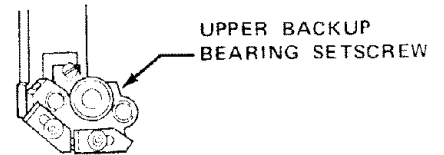
3. Loosen the two capscrews that lock the upper blade guides using a 1/8-inch hex "L" wrench and separate them about 1/8-inch. Repeat the same step for the lower blade guides.



- Loosen the setscrew which locks the blade guide support and push the support all the way back. Repeat for lower blade guide support.



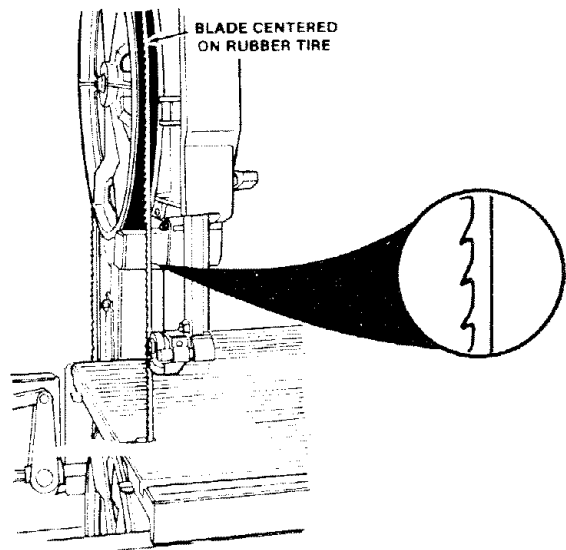
- Loosen the setscrew which locks the upper backup bearing and push the bearing all the way back. Repeat procedure for lower backup bearing.



WARNING: To avoid serious eye injury or scrapes if the blade should suddenly uncoil, wear safety goggles. Carefully uncoil the blade holding it at arms length.

- Uncoil the blade.
- Place the blade over the wheels with the teeth pointing downwards toward the table as shown. Make sure the blade is between the blade guides and is in the center of the rubber tires.

NOTE: If the blade will not reach around both wheels, lower the upper wheel by turning the tension knob counterclockwise.



BOTH MODELS

ALIGNING THE BLADE AND BLADE GUIDE ASSEMBLIES

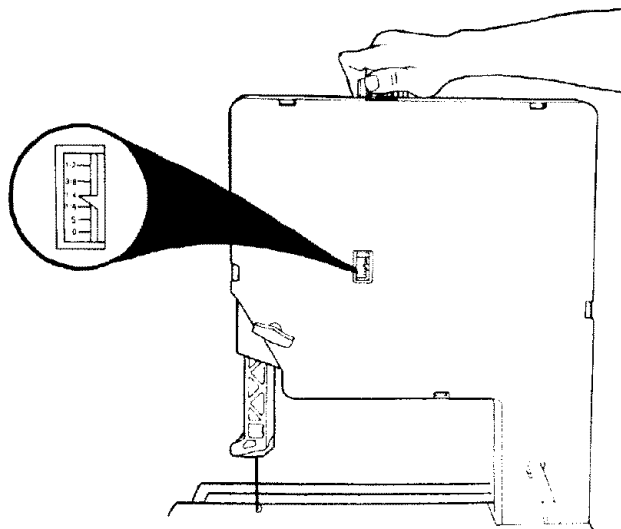
This band saw comes equipped with a 1/4-inch blade. This band saw can be used with blades of width from 1/8-inch to 1/2-inch. The alignment steps must be followed for proper tension, blade guide, and bearing adjustments for each different blade.

Refer to the blade usage section for the recommended blade size for best results during most band saw operations.

NOTE: It is critical to the life of the blade that the following steps are followed. Premature blade breakage will result if these steps are omitted.

1. Turn the tension knob until the tension scale indicates 1/4-inch position. This will set the correct tension for a 1/4-inch blade.

WARNING: To avoid injury from unexpected starting or electrical shock, do not plug the saw in. The power cord must remain unplugged whenever you are working on the saw.



2. Turn the upper wheel by hand a few times and notice if the blade remains in the center of the tire on the top wheel.

If the blade moves away from the center of the tire while you are turning it, the blade is not tracking properly.

The top wheel shaft is hinged so the blade can be tracked. Tilt the wheel by turning the tracking adjustment screw using a medium screw driver. (See illustration.)

- a. If the blade moves toward the front of the band saw:

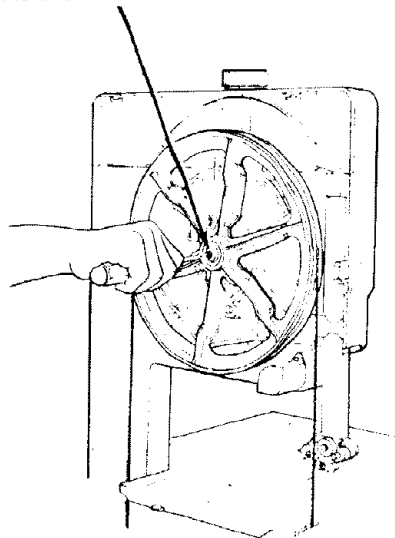
Turn the tracking adjustment screw clockwise about 1/4 of a turn, as though you were tightening it.

- b. If the blade moves toward the back of the band saw:

Turn the tracking adjustment screw counter-clockwise about 1/4 of a turn as though you were loosening it.

- c. Check adjustment by turning wheel by hand.

TRACKING ADJUSTMENT SCREW



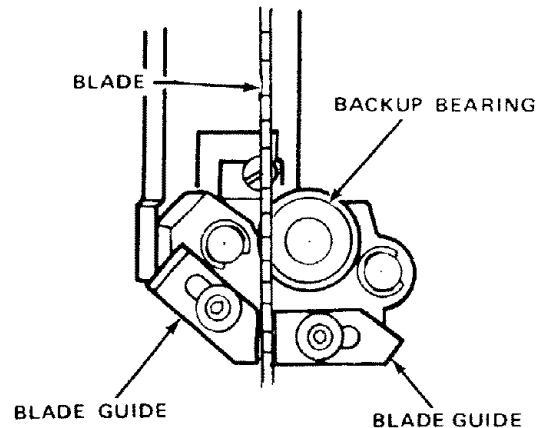
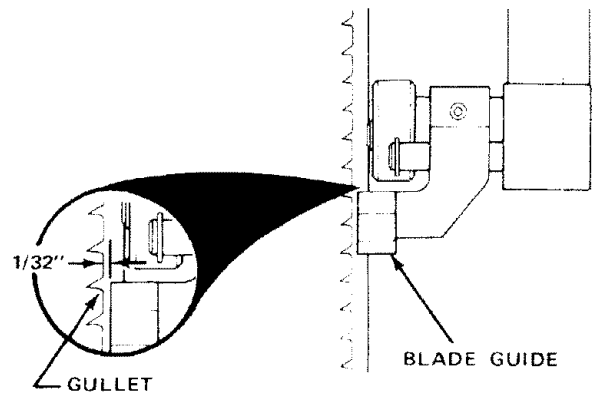
3. The upper and lower blade guides support the blade and keep it from twisting during operation. Adjust blade guide support whenever blades are changed or replaced with a different width.
4. Push the blade guide support toward the blade and adjust the blade guides so they are about 1/32-inch from the deepest part of the blade teeth. This deep part is called a gullet. Tighten the set screw locking the blade guide support. Turn the upper wheel, by hand, checking the position of the blade guide support.

NOTE: Letting the blade teeth hit the blade guides while using the band saw will ruin the blade. The set of the teeth and the sharpened edge of the teeth would be damaged. Proper adjustment of the upper and lower blade guide assemblies will prevent this from happening.

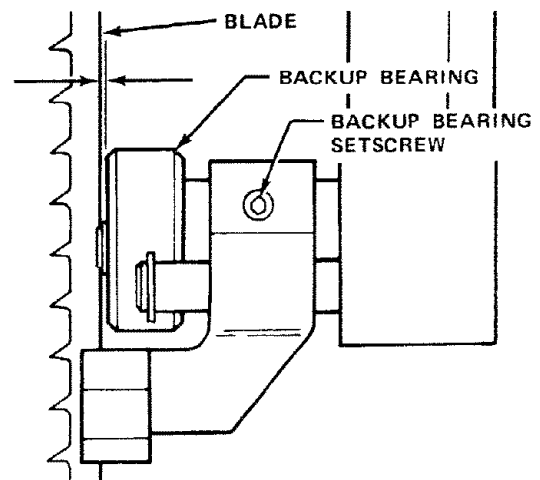
Repeat procedure for lower blade guide support.

5. Slide the two blade guides evenly against the sides of the blade. Do not push the blade guides or pinch the blade guides against the blade. Rotate the upper wheel by hand so the blade travels downward. This leaves proper space for blade. Make sure one guide is not further from the blade than the other. Tighten both setscrews with a 1/8-inch hex "L" wrench. Repeat procedure for lower blade guides.

NOTE: The backup bearings support the blade from the rear and will spin when the blade is pushed against them while you are cutting. As soon as you stop cutting, the bearings should stop spinning.

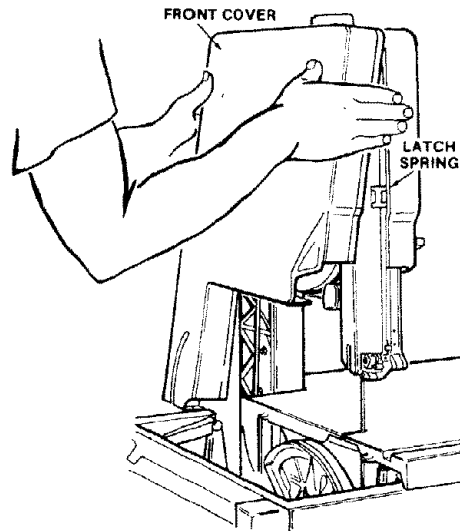


6. To insure the backup bearing is properly supporting the blade, push the bearing toward the blade until it almost touches it. Turn the upper wheel, by hand, checking the backup bearing to make sure it is not turning. If the bearing is turning, the blade is too close. Move bearing slightly away from the blade and tighten set screw with 1/8" hex "L" wrench. Turn upper wheel and recheck the bearing. Adjust again if necessary.
7. Repeat procedure for lower backup bearing.
8. Turn upper wheel by hand and check the blade guides and backup bearings to make sure they are adjusted correctly. Make any readjustments if necessary.
9. Install blade guard and tighten with phillips screwdriver. (See illustration, page 20.)



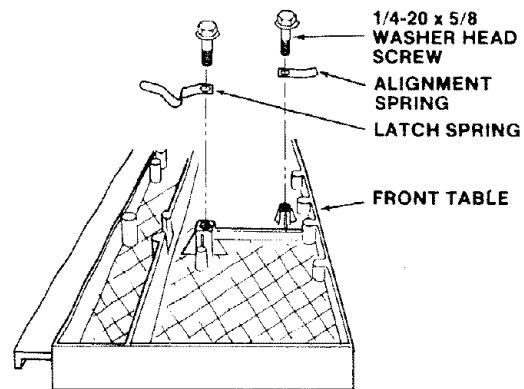
BOTH MODELS

10. Install the front cover. Rest top edge of cover on two latch springs along the top edge of back cover. Swing cover down into position, engaging the three other latch springs. Push the front cover into position on the back cover. Check that the lip on the front cover completely overlaps the lip on the rear cover.

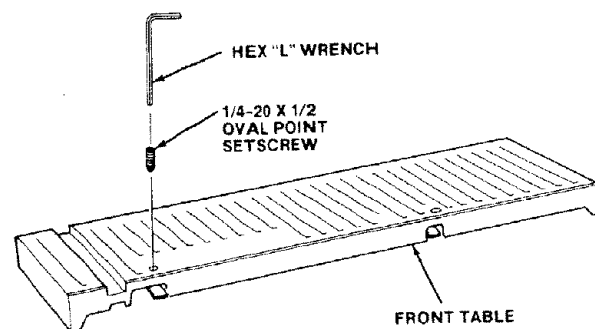


MOUNTING THE FRONT TABLE

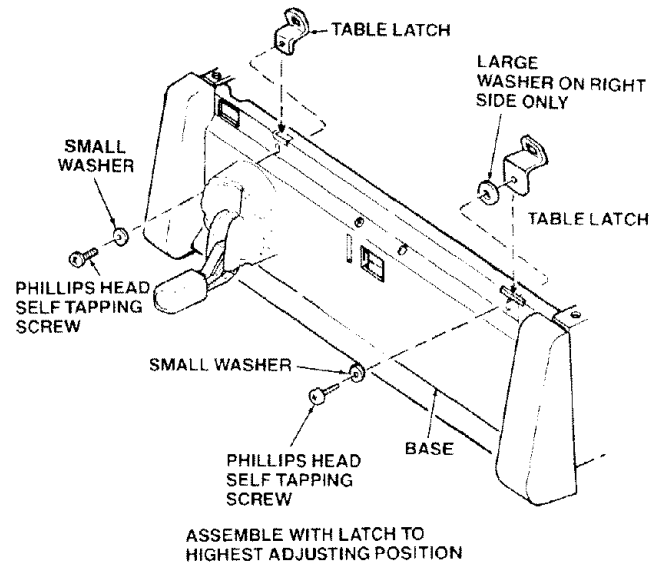
1. Turn front table over. Locate the two (2) latch springs, two (2) alignment springs, and the four (4) 1/4-20 x 5/8 hex washer head thread forming screws.
2. Install the two latch springs on the front table as illustrated using a 3/8-inch wrench or socket.
Install the two alignment springs on the front table as illustrated using a 3/8-inch wrench or socket.



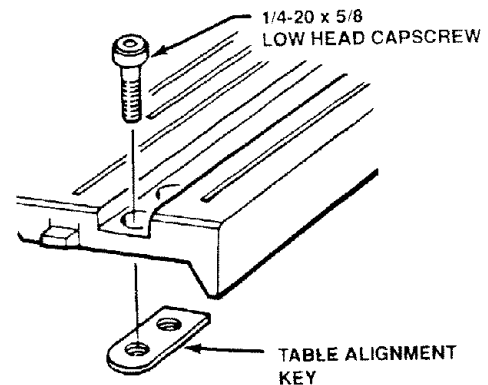
3. Locate the two (2) oval point setscrews 1/4-20 x 1/2 and use an 1/8-inch hex "L" wrench to install in the two holes, as illustrated, but do not allow the screws to extend beyond the underside of the table.



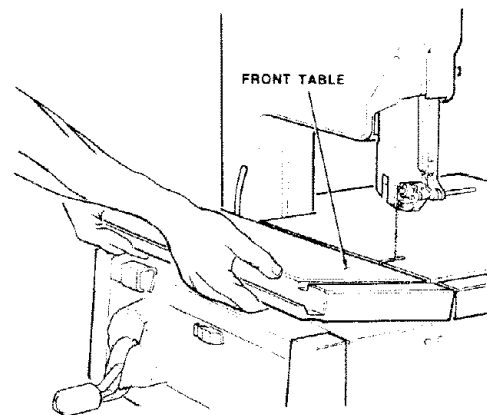
4. Locate the two (2) table latches, two (2) 3/8" long Phillips head self tapping screws, two (2) small washers, and one (1) large washer.
5. Place front table latch through slot on right side of bandsaw frame.
6. Tilt top of front table latch slightly forward and place large washer between bracket and bandsaw frame.
7. Place self tapping screw through small washer and attach to table latch. Do not completely tighten screw.
8. Attach left side table latch with self tapping screw and washer as shown.



9. Locate the table alignment key and the two (2) 1/4-20 x 5/8 low head capscrews. Install the key under the rear table miter gage slot and install the two screws but do not tighten at this time.



10. Mount the front table to the base as follows:
 - a. Make sure front table latches are positioned up as high as they will go.
 - b. Hold the front edge of the table. Position the rear edge of the table so that the two flat springs slip under the two tabs on the rear table.
 - c. Line up the miter gage slots in the front and rear tables.
 - d. Push the front edge of the table backward and downward until the table snaps into position.



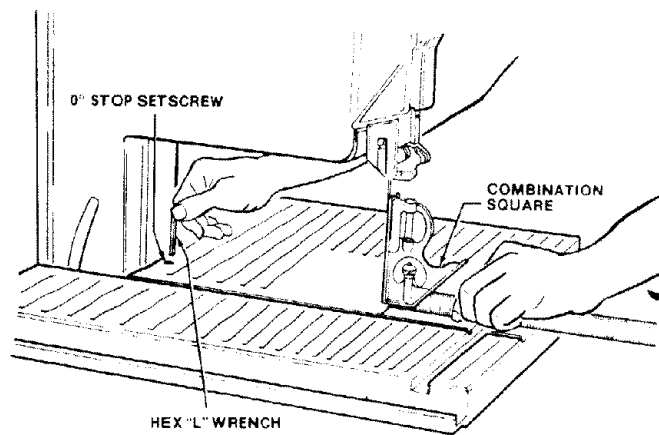
BOTH MODELS

SQUARING THE BLADE TO THE TABLE

WARNING: To avoid injury from unexpected starting, make sure power cord is unplugged before making adjustments to band saw parts.

To assure repeatability and accuracy, it is important to square the blade to the table and adjust the 0° position stop. This will guarantee that the blade will return to the square position after the head has been moved for a bevel cut.

1. Locate the 1/4-20 x 1/2 oval point setscrew and use an 1/8-inch hex "L" wrench to install it in the hole located at the left front of the rear table. The setscrew has a lock patch that will make it hard to turn.
2. Slide the upper blade guard to its top most position and tighten knob.
3. Release bevel lock by pulling out bevel lock knob under left front edge of table.
4. Place a combination square on the table against the blade. Adjust the position of the blade to the table by turning the handwheel. When the blade is flush against the combination square lock the bevel lock knob. Use a 1/8-inch hex "L" wrench



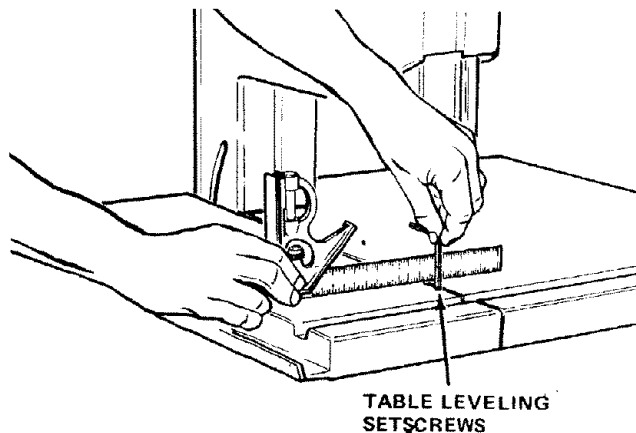
to set the 0° stop. Turn screw until it makes contact with the frame.

5. Unlock bevel lock, bevel the blade, then return to 0° position. Push in bevel lock knob and recheck blade to make sure it is square to the table.

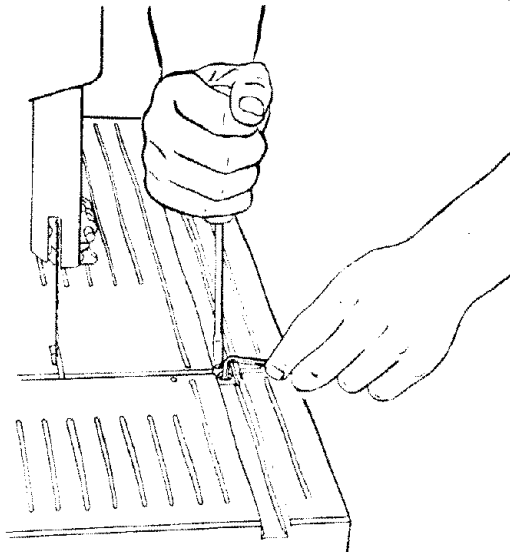
NOTE: The combination square must be "true" — see the beginning of the unpacking and checking contents section for checking the combination square procedure.

ADJUSTING FRONT TABLE

1. Adjust the front table so it is the same height as the rear table as follows:
 - a. Lay a straight edge across front table to rear table.
 - b. Gently tap the front table down until it is in line with the rear table.
 - c. Tighten the Phillips head self tapping screw once the front table is in the correct position.
 - d. If necessary adjust the two (2) oval point set screws (see Step 3) as needed to help line up the table.
 - e. Both the left and right sides of the front table should be adjusted simultaneously.



2. To keep the miter gage grooves in line, use a flat blade screwdriver against the head of one of the low head capscrews in the miter gage groove to force the table alignment key firmly forward into the notch in the front table.
3. While holding the alignment key into the notch, tighten the other capscrew. Remove the screwdriver and tighten the remaining screw. Check that the miter gage grooves line up.
4. Check the operation of springs and tabs by removing the front table and reinstalling. Remove the table by lifting up on two spring tabs under front edge of the table until springs are free, then pulling forward.



location and function of controls

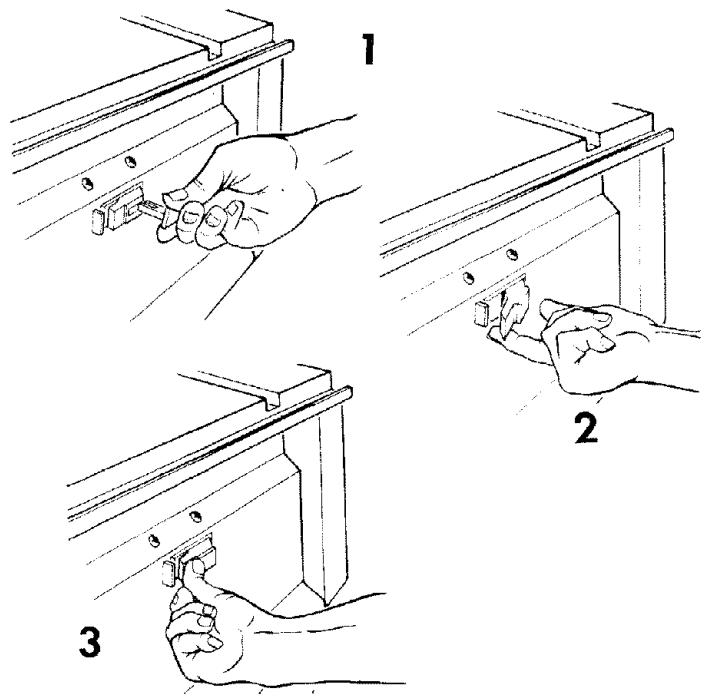
BOTH MODELS

ON-OFF SWITCH

NOTE: The On-Off switch has a locking feature. This feature is intended to help prevent unauthorized and possibly hazardous use by children and others.

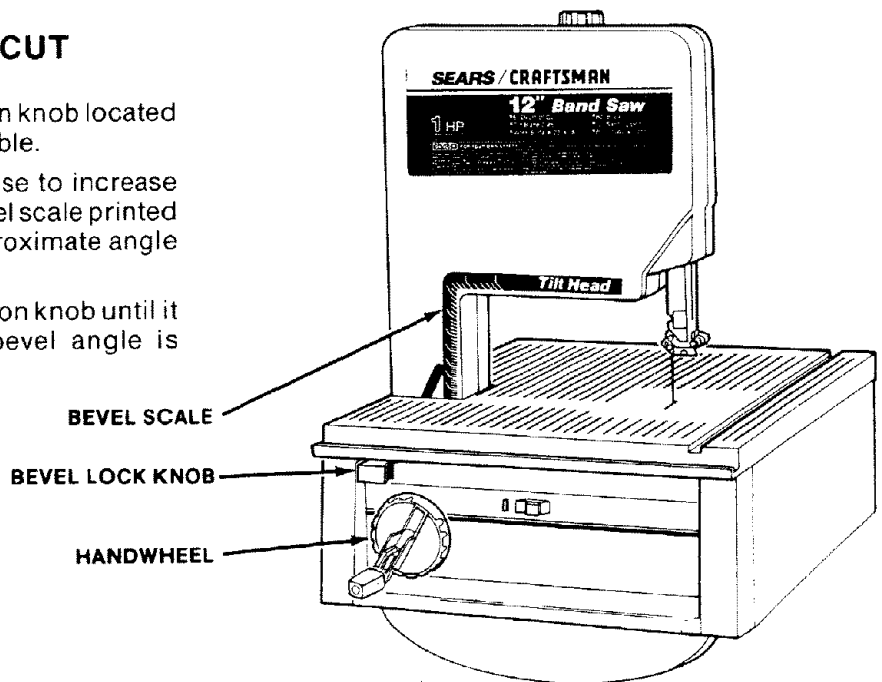
1. Insert yellow key into switch.
2. To turn on, insert finger under end of red switch lever and pull end out.
3. To turn off switch, push red lever in towards the base.

CAUTION: The locking feature provided is to help prevent unauthorized use of your saw. Always remove the yellow key and keep it in a safe place. To remove yellow key, hold thumb on the end of red lever to keep switch in "Off" position and pull yellow key straight out.



TILTING HEAD FOR BEVEL CUT

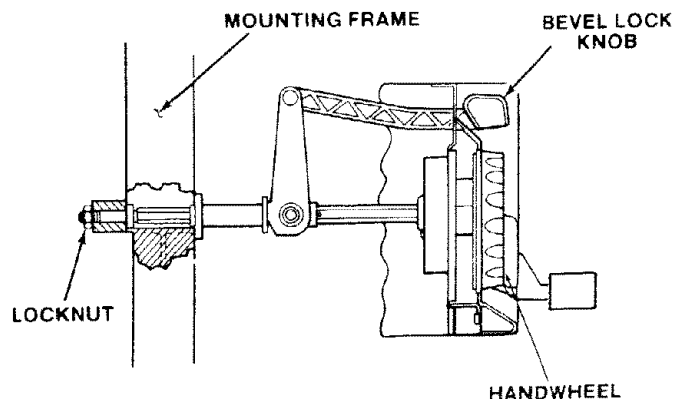
1. Unlock bevel lock by pulling out on knob located under the left front edge of the table.
2. Turn handwheel counter-clockwise to increase the tilt angle of the blade. The bevel scale printed on the front cover shows the approximate angle and is read at table level.
3. Lock the bevel lock by pushing in on knob until it is fully seated when desired bevel angle is reached.



ADJUSTING BEVEL LOCK KNOB

The bevel lock knob is factory adjusted and set. If after repeated use it becomes necessary to adjust:

1. Pull the bevel lock forward and bevel the band saw to 25 degrees.
2. Use a 9/16-inch wrench or socket to adjust the locking nut behind the band saw mounting frame. Turn nut clockwise to tighten.
3. Recheck bevel lock knob and readjust if necessary.



basic band saw operation

BEFORE USING THE SAW:

WARNING: To avoid mistakes that could cause serious, permanent injury, do not plug the saw in until the following steps are completed.

- Assembly and alignment (See pages 11 - 18.)
- Learn the use and function of the ON-OFF switch, bevel handwheel, bevel lock knob, blade guides, backup bearing, guide bar lock knob, and blade guard. (See page 19.)
- Review and understanding of all safety instructions and operating procedures in this manual.
- Review of the maintenance methods for this saw. (See page 36.)

To avoid back injury, get help or use recommended casters when you need to move the saw. Always get help if you need to lift the saw.

NEVER STAND ON TOOL. Serious injury could occur if the tool tips or you accidentally hit the cutting tool. Do not store anything above or near the tool where anyone might stand on the tool to reach them.

BEFORE EACH USE:

Inspect your saw.

DISCONNECT THE SAW. To avoid injury from accidental starting, unplug the saw, turn the switch off and remove the switch key before changing the setup, removing covers, guards, blade or sanding belt.

CHECK DAMAGED PARTS. Check for:

- alignment of moving parts,
- binding of moving parts,
- broken parts,
- stable mounting, and
- any other conditions that may affect the way the saw works

If any part is missing, bent, or broken in any way, or any electrical parts don't work properly, turn the saw off and unplug the saw. REPLACE damaged, missing, or failed parts before using the saw again.

MAINTAIN TOOLS WITH CARE. Keep the saw clean for best and safest performance. Follow instructions for lubricating.

REMOVE ADJUSTING KEYS AND WRENCHES from tool before turning it on.

To avoid injury from jams, slips or thrown pieces or broken blades:

- Use of right blade size, style and cutting speed for the material and the type of cutting you plan to do.
- **USE ONLY RECOMMENDED ACCESSORIES.** (See page 36) Consult this Owner's manual for recommended accessories. Follow the instructions that come with the accessories. The use improper accessories may cause risk of injury to persons.
- Make sure the blade teeth point downward, toward the table.
- Make sure the blade guides and thrust bearings are properly adjusted.
- Make sure the blade or sanding belt tension is properly adjusted.
- Before sanding, adjust the sanding platen to clear the table by no more than 1/8 of an inch.
- Make sure the bevel clamp is tight and no parts have excessive play.
- To avoid accidental blade contact, minimize blade breakage and provide maximum blade support, always adjust the upper blade guide and blade guard to just clear the workpiece.
- **KEEP WORK AREA CLEAN.** Cluttered areas and benches invite accidents. Floor must not be slippery.

To avoid burns or other fire damage, never use the saw near flammable liquids, vapors or gases.

Plan ahead to protect your eyes, hands, face and ears.

KNOW YOUR SAW. Read and understand the owner's manual and labels affixed to the tool. Learn its application and limitations as well as the specific potential hazards peculiar to this tool.

To avoid injury from accidental contact with moving parts, don't do layout, assembly, or setup work on the saw while any parts are moving.

AVOID ACCIDENTAL STARTING. Make sure switch is "OFF" before plugging saw into a power outlet.

Plan your work.

- USE THE RIGHT TOOL. Don't force tool or attachment to do a job it was not designed to do.
- Use model 113.248211 to cut and sand only wood, wood like products, and plastics.

CAUTION: To avoid blade breakage, fire or other damage to the saw, NEVER use model 113.248211 to cut metals.

- Use model 113.248321 to cut and sand only wood, wood like products, plastics and non-ferrous metals.

CAUTION: Model 113.248321 is NOT designed for cutting or sanding ferrous metals like iron or steel. When cutting or sanding non-ferrous metals (brass, copper and aluminum, etc.), metal shavings can react with wood dust and start a fire. To avoid this:

- Disconnect any type of dust collecting hose from the saw.
- Remove all traces of wood dust from inside the saw.
- Remove all metal shavings from inside the saw before sawing wood, again.

Dress for safety.

Any power saw can throw foreign objects into the eyes. This can cause permanent eye damage. Wear safety goggles (not glasses) that comply with ANSI Z87.1 (shown on package). Everyday eyeglasses have only impact resistant lenses. They are not safety glasses. Safety goggles are available at Sears retail catalog stores. Glasses or goggles not in compliance with ANSI Z87.1 could seriously hurt you when they break.

- Do not wear loose clothing, gloves, neckties or jewelry (rings, wrist watches). They can get caught and draw you into moving parts.
- Wear nonslip footwear.
- Tie back long hair.
- Roll long sleeves above the elbow.

- Noise levels vary widely. To avoid possible hearing damage, wear ear plugs or muffs when using saw for hours at a time.
- For dusty operations, wear a dust mask along with the safety goggles.

Inspect your workpiece.

Make sure there are no nails or foreign objects in the part of the workpiece to be cut.

Use extra caution with large, very small or awkward workpieces:

- Use extra supports (tables, saw horses, blocks, etc.) for any workpieces large enough to tip when not held down to the table top.
- NEVER use another person as a substitute for a table extension, or as additional support for a workpiece that is longer or wider than the basic saw table, or to help feed, support or pull the workpiece.
- When cutting irregularly shaped workpieces, plan your work so it will not pinch the blade. A piece of molding, for example, must lay flat or be held by a fixture or jig that will not let it twist, rock or slip while being cut.
- Properly support round material such as dowel rods, or tubing. They have a tendency to roll during a cut, causing the blade to "bite". To avoid this, always use a "V" block or clamp the work to the miter gage.
- Cut only one workpiece at a time.
- Clear everything except the workpiece and related support devices off the table before turning the saw on.

Plan the way you will hold the workpiece from start to finish.

Do not hand hold pieces so small that your fingers will go under the blade guard. Use jigs or fixtures to hold the work and keep your hands away from the blade.

SECURE WORK. Use clamps to hold work when practical. It's often safer than using your hand, and frees both hands to operate the tool.

Avoid awkward operations and hand positions where a sudden slip could cause fingers or hand to move into the blade or sanding surface.

DON'T OVERREACH. Keep good footing and balance.

WHENEVER SAW IS RUNNING.

WARNING: Don't let familiarity (gained from frequent use of your band saw) cause a careless mistake. A careless fraction of a second is enough to cause a severe injury.

Before starting your cut, watch the saw while it runs. If it makes an unfamiliar noise or vibrates a lot, stop immediately. Turn the saw off. Unplug the saw. Do not restart until finding and correcting the problem.

KEEP CHILDREN AWAY. Keep all visitors a safe distance from the saw. Make sure bystanders are clear of the saw and workpiece.

DON'T FORCE TOOL. It will do the job better and safer at its designed rate. Feed the workpiece into the saw blade only fast enough to let it cut without bogging down or binding.

Before freeing any jammed material:

- Turn switch "OFF".
- Remove switch key.
- Unplug the saw.

- Wait for all moving parts to stop.

When backing up the workpiece, the blade may bind in the kerf (cut). This is usually caused by sawdust clogging up the kerf or because the blade comes out of the guides. If this happens:

- Turn switch "OFF".
- Remove switch key.
- Unplug saw.
- Wait for all moving parts to stop.
- Remove band saw cover.
- Stick flat blade screwdriver or wedge into the kerf.
- Turn the upper wheel by hand while backing up the workpiece.

Before removing loose pieces from the table, turn saw off and wait for all moving parts to stop.

BEFORE LEAVING THE SAW:

Wait for all moving parts to stop.

Make workshop child-proof. Lock the shop. Disconnect master switches. Remove the yellow switch key. Store it away from children and others not qualified to use the tool.

CAUTION: For your safety, comply with all the safety instructions on pages 2 - 5 before using the band saw.

A band saw is basically a "curve cutting" machine. It is not capable of doing inside cutting.

Your Craftsman Band Saw is not only capable of the usual band saw operations, but it can be converted into a sander as well. You can finish wood, certain compositions and plastics.

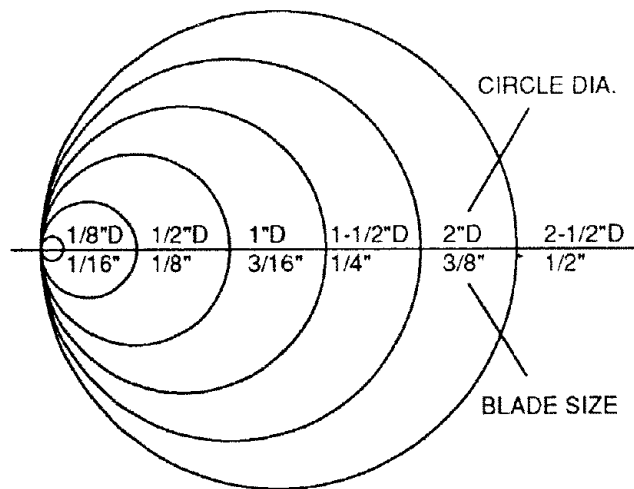
It is also used for straight-line cutting operations such as crosscutting, ripping, mitering, beveling, compound cutting, and resawing.

Operation	Recommended Blade Size (Inches)
Cross Cutting	1/4, 3/8, 1/2
Ripping	1/2
Mitering	1/4, 3/8, 1/2
Beveling	1/4, 3/8, 1/2
Compound Cutting	1/4, 3/8, 1/2
Circle Cutting	See Chart Below
Resawing	1/2
Curve Cutting	1/8, 1/4
Extremely Fine Scroll Cutting (Thin Material Only)	1/16

BLADE SELECTION GUIDE FOR MINIMUM
CIRCLE CUTTING

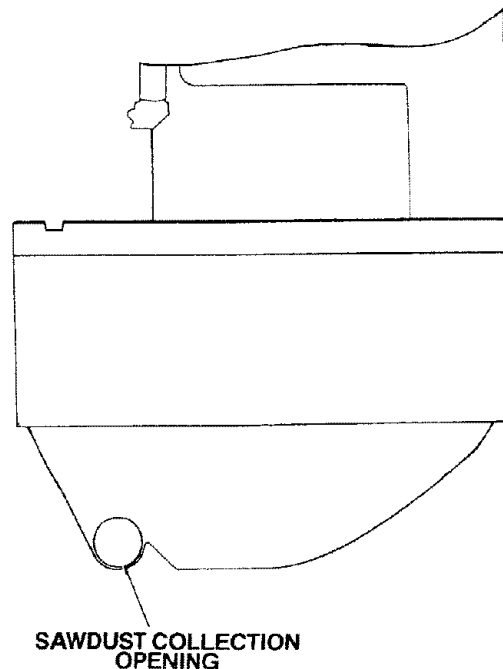
CIRCLE CUTTING

1. Adjust the upper guides to just clear the work-piece.
2. Use both hands while feeding the work into the blade. Hold the workpiece firmly against the table. Use gentle pressure, and do not force the work, but allow the blade to cut.
3. The smallest diameter that can be cut out is determined by the width of the blade. For example, a 1/4-inch wide blade will cut a minimum diameter of approximately 1-1/2-inch (see chart).



SAWDUST COLLECTION

1. There is an opening provided in the rear of the bottom cover to attach a 2-1/2-inch hose from a wet/dry vac to control sawdust.



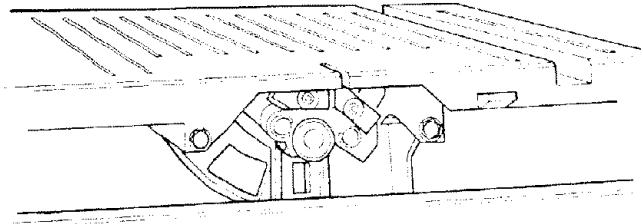
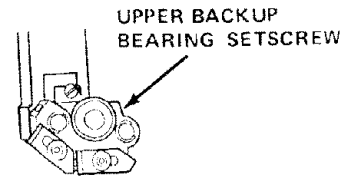
BOTH MODELS

INSTALLING SANDING ATTACHMENT

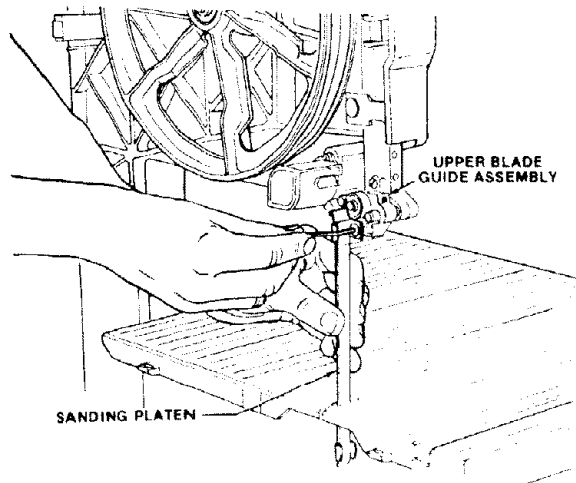
WARNING: To avoid injury from unexpected starting, make sure power cord is unplugged before making adjustments to band saw parts.

NOTE: The sanding belt cuts very rapidly. Practice with some scraps of wood first before you attempt to sand your actual workpiece.

1. To install the sanding belt and sanding platen, remove the front table, front cover, blade guard, and the blade.
2. Use a 1/8-inch hex "L" wrench and remove the upper and lower right blade guides. The mounting screw used for the upper blade guide will be used to hold the sanding platen in place.
3. Loosen the setscrews that hold the upper and lower backup bearings in place and push the bearings all the way back. Tighten setscrews so bearings will remain.

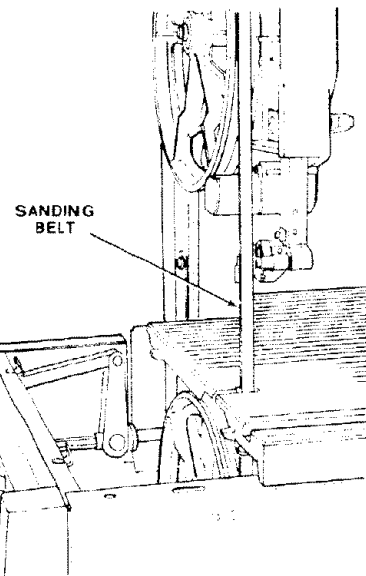


4. Slide the sanding platen into the blade slot in the table and fasten to the upper blade guide assembly where the right blade guide mounts. It may be necessary to loosen the left blade guide and slide it backwards until platen is in place.
5. Slide the upper left blade guide towards the sanding platen and tighten mounting screw securely.
6. Slide the lower left blade guide towards the sanding platen until the platen rests 1/8-inch away from the right edge of the slot in the work table.



INSTALLING THE SANDING BELT

1. Install the sanding belt and adjust tension to the sanding position. (The letter "S" on the scale.)
2. Rotate the upper wheel by hand (clockwise) to check the sanding belt tracking. Adjust tracking if necessary. (Reference the blade tracking section for tracking procedure.)
3. After tracking the sanding belt if the belt and the platen do not align loosen the upper blade guide support and slide the support in or out to align. Then tighten set screws to hold support and platen in place. It may also be necessary to adjust the lower blade guide support to align the blade guide with the sanding platen.

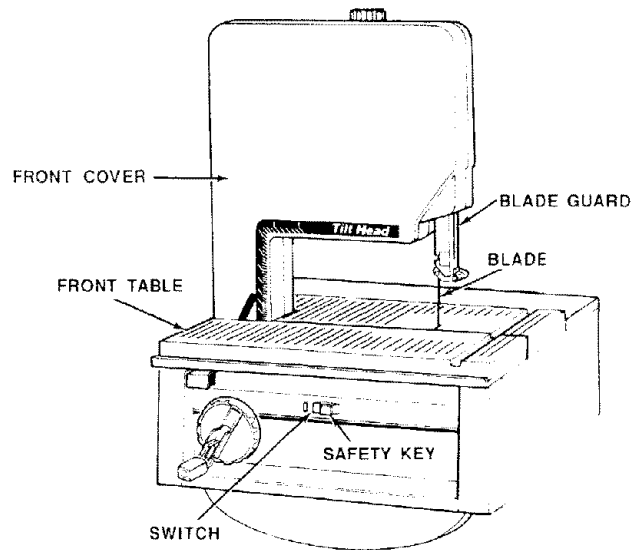


NOTE: A new sanding belt will stretch with use, so check the tension often.

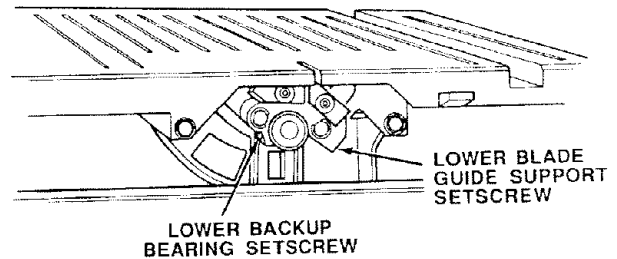
INSTALLING 1/16 INCH BLADE AND BLADE GUIDE (Optional Accessory)

WARNING: To avoid injury from unexpected starting, make sure power cord is unplugged before making adjustments to band saw parts.

1. To install the 1/16-inch blade and non-metallic blade guides, first turn the switch off, remove the safety key, and unplug the saw. Remove the front table, front cover, blade guard and blade.

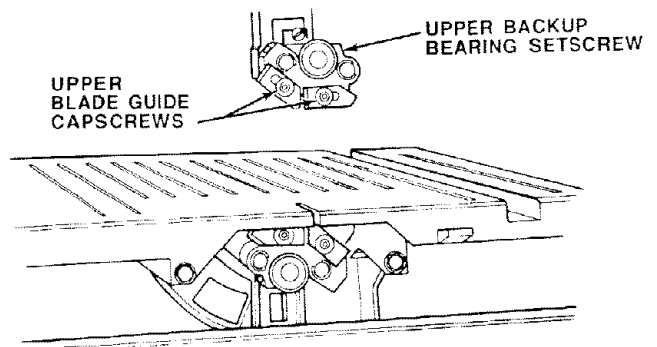


2. When using the 1/16-inch blade, the **lower** metal blade guides and **lower** back up bearings are not used.
 - A. Loosen the two cap screws that lock the **lower** blade guides using a 1/8-inch hex "L" wrench and separate them as far as possible. Re-tighten these two cap screws.
 - B. Loosen the set screw, which locks the lower back up bearing and push the bearing to the rear as far as it will go. Re-tighten the setscrew.

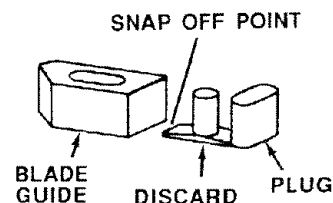


CAUTION: Do not use the metal blade guides supplied with your band saw when using the 1/16-inch blade. The metal blade guides must be removed. Use only the non-metallic blade guides supplied with the 1/16-inch scroll cutting band saw blade.

3. Use a 1/8-inch hex "L" wrench to remove the two cap screws that hold the **upper** metal blade guides in place. Remove the two metal blade guides.
4. Loosen the setscrew that locks the **upper** back up bearing. Push the bearing to the rear as far as it will go.

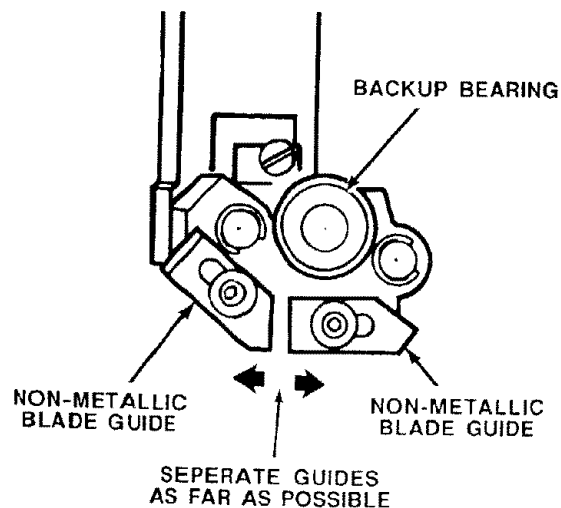


5. Locate the special blade guides that are supplied with the 1/16-inch blade. Remove the blade guides and separate as shown. Discard center piece and plug. Inspect blade guides for burrs and if present remove with fine sandpaper.



BOTH MODELS

6. Install the special non-metallic blade guides supplied with the 1/16-inch blade as shown. Separate these guides as far as they will go.

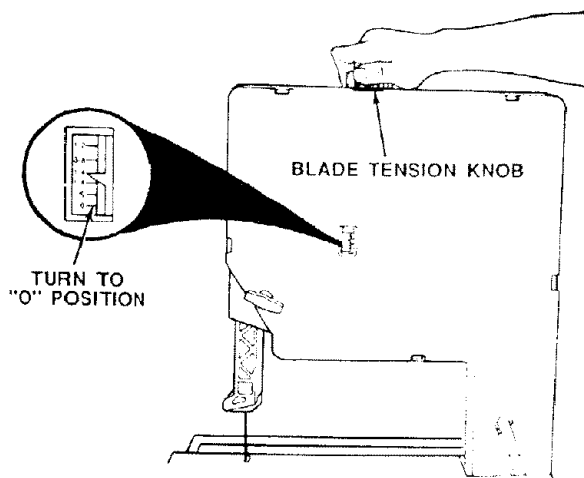


7. Uncoil the 1/16-inch blade and place over the wheels with the teeth facing front of saw and pointing down towards the table.

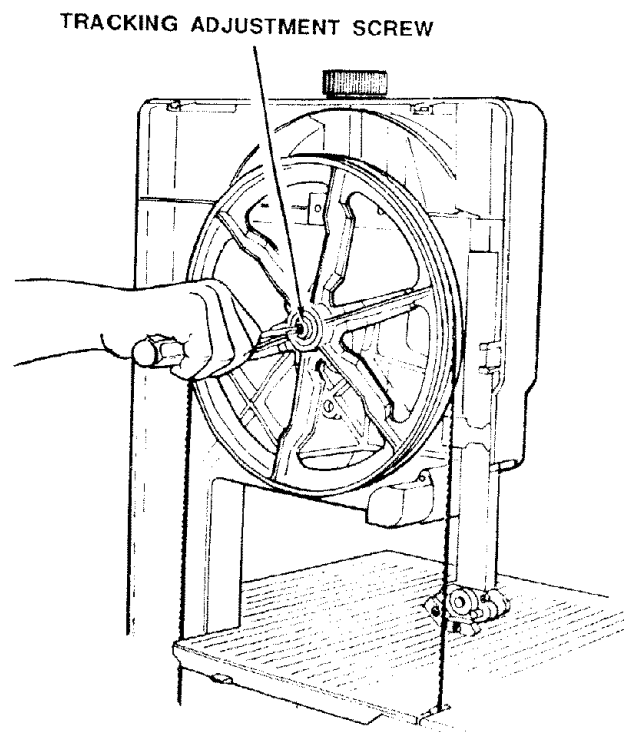
WARNING: To avoid serious eye injury or scrapes if the blade should suddenly uncoil, wear safety goggles. Carefully uncoil the blade holding it at arms length.

NOTE: If the blade will not reach around both wheels, lower the upper wheel by turning the blade tension knob counterclockwise to the "0" position.

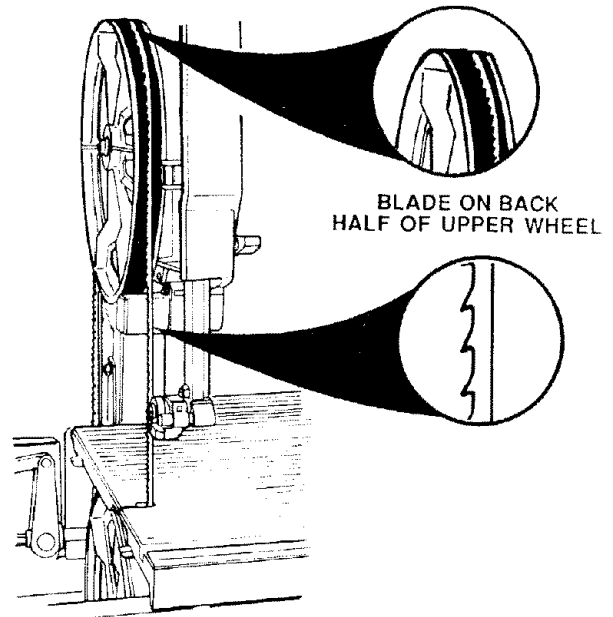
8. Turn the tension knob clockwise to adjust tension to the sanding position (the letter "S"). This is the correct tension for the 1/16-inch blade.



9. Turn the upper wheel by hand a few times and turn the tracking adjustment screw to keep the 1/16-inch blade running in the center of the upper wheel.



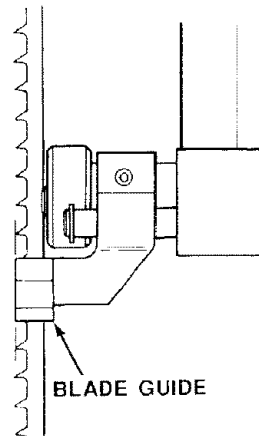
NOTE: Because of manufacturing tolerances in band saws and blades, it may be difficult to track the blade in the center of the wheel. The blade may exhibit a tendency to wander to the front of the wheel. If this condition exists, track the blade on the back half of the upper wheel.



10. Push the blade guide support toward the blade and adjust the blade guides so they are even with the front edge of the blade.
11. Position the special non-metallic blade guides right up against the 1/16-inch blade and tighten the cap screws. Because these special blade guides can be positioned right against the blade they prevent the blade from twisting and give the operator a greater sense of control.

NOTE: The back-up bearing supports the blade from the rear and will spin when the blade is pushed against them while you are cutting. As soon as you stop cutting, the bearing should stop spinning.

12. To insure the back-up bearing is properly supporting the blade, push the bearing toward the blade until it almost touches it. Turn the upper wheel, by hand, checking the backup bearing to make sure it is not



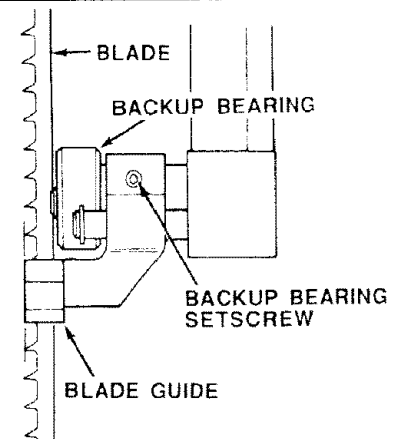
turning. If the bearing is turning, the blade is too close. Move bearing slightly away from blade and tighten set screw with 1/8-inch hex "L" wrench. Turn upper wheel and recheck

SCROLLING

WARNING: For your safety, comply with all the safety instructions on pages 2 - 5 before using the band saw.

With the special 1/16-inch scrolling blade and non-metallic blade guides, the band saw is capable of cutting extremely fine curves in thin material. The non-metallic blade guides are made from a special self-lubricating material that decreases friction between the blade and guide blocks as well as preventing the blade from twisting.

By using the special blade guides and 1/16-inch scroll blade, it is possible to do almost everything a scroll saw can accomplish except interior or piercing cuts. The band saw has the additional advantage of cutting much faster than the ordinary scroll saw.



WARNING: The 1/16-inch scrolling blade operates differently than the conventional band saw blade. For best results follow the instructions in "Band Saw Scrolling Tips" and the directions on the back of the 1/16-inch scrolling blade package.

BOTH MODELS

Sears recommends the following Accessories

Caster Set for Leg Set	9-22222, 9-22221
Miter Gauge	9-29929
Hold-Down Clamp for Miter Gauge	9-29928
Stop-Rods for Miter Gauge	9-29924
Rip Fence	9-23402
Blades and Sanding Belts	See Catalog
Circle Cutting Attachment	9-23411
Power Tool Know How Handbook	9-29117

Sears may recommend other accessories not listed in the manual. See your nearest Sears store or Catalog department for other accessories.

Do not use any accessory unless you have received and read complete instructions for its use.

maintenance

BOTH MODELS

WARNING: For your own safety, turn switch "Off" and remove plug from power source outlet before maintaining or lubricating your band saw.

Tires

Pitch and sawdust that build up on the tires should be removed with a stiff brush or scraped off with a piece of wood.

NOTICE: To avoid damaging the tires do not use a sharp knife or any kind of solvent.

When the tires become worn they should be replaced. When replacing the tires, stretch them around the wheels but do not glue them on.

ADJUSTING BAND SAW BEVEL TRAVEL

If the band saw will not hold its position when at a bevel angle, and before the bevel lock is locked, or if it is difficult to change the bevel angle, an adjustment is necessary to correct the force required to bevel the band saw.

To adjust the force required to bevel the band saw, locate the three (3) capscrews holding the frame to the motor mount. The capscrews are located in the recessed area behind the hub of the lower wheel at the 2 o'clock, 6 o'clock, and 10 o'clock positions. Use a 3/16-inch hexagonal "L" wrench that has a 4-inch leg, reach between the spokes of the lower wheel to the capscrews. Adjust the capscrews equally until the bevel action is smooth and the saw will hold its position before the bevel lock is locked.

ADJUSTING THE UPPER BLADE GUIDE TRAVEL

If the upper guide bar will not move up and down easily or falls when the lock knob is loosened, the following adjustment should be performed.

1. Remove the Guide Bar Lock Knob and the washer which is under it.
2. Using a 7/16" socket or wrench, tighten the nut which is under the washer to just tight.
3. Then loosen the same nut 1 turn.
4. Move the guide bar up and down to check for smooth movement while still holding its position when released.
5. Make further adjustments to the nut as required to get the guide bar to move smoothly and hold its position when released.
6. Reinstall the washer and Guide Bar Lock Knob.

General Maintenance

Keep your band saw clean. Remove the sawdust from the inside. Vacuum or blow out frequently.

Do not allow filth to build up on the table the guides or the back-up bearings. Clean them with **Craftsman Gum and Pitch Remover**.

NOTICE: Do not immerse the back-up bearings in the gum and pitch remover.

Put a thin coat of paste wax on the table so that the wood slides easily while cutting.

Light Bulb

To replace the light bulb remove the front cover. Use a phillips screwdriver to remove the lens and replace the bulb. The light bulb is a 25 watt bayonet mount bulb.

Motor

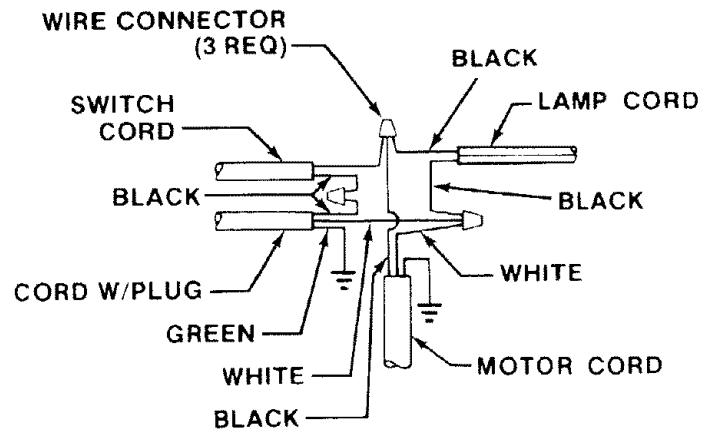
Frequently blow or vacuum out any sawdust from the motor. Follow lubrication instruction on the motor label.

CAUTION: To avoid eye injury from blowing debris, wear safety goggles when blowing out sawdust.

WARNING: To avoid electrocution or fire, immediately replace a worn, cut, or damaged power cord.

Lubrication

All of the ball bearings are packed with grease at the factory. They require no further lubrication.



WIRING DIAGRAM

trouble shooting

BOTH MODELS

WARNING: For your own safety, turn switch "Off" and remove plug from power source outlet before trouble shooting your band saw/sander.

TROUBLE	PROBABLE CAUSE	REMEDY
Blade does not run in the approximate center of the upper wheel.	1. Not tracking properly.	1. Adjust tracking, see Assembly Section, "Installing the Blade."
Blade does not run in the approximate center of the lower wheel.	1. Lower wheel not positioned correctly on shaft.	1. Reposition the wheel by loosening setscrew and slide wheel in or out to allow blade to run in center of wheel.
Band Saw slows down when cutting.	1. Belt too loose. 2. Cutting too small a radius. 3. Dull blade. 4. Overloading motor.	1. Adjust belt tension, see Assembly Section "Installing and Aligning the Belt." 2. Stop feeding, and back up the material slightly, until the band saw speeds up. 3. Replace blade. 4. Slow down, trying to cut too fast.
Blades breaking.	1. Too much tension on blade. 2. Kink in blade caused by cutting too small a radius or turning the material too fast when cutting.	1. Adjust tension. See Getting To Know Your Band Saw. 2. Use correct cutting technique. See Basic Band Saw Operation Section.
Blade dulls too quickly.	1. Blade guides set too close to teeth. 2. Cutting incorrect material.	1. Adjust upper and lower blade guides. See Assembly Section "Installing the Blade."
Band saw vibrates.	1. Too much tension on motor belt.	1. Adjust according to "Installing and Aligning Poly "V" Belt" section.

trouble shooting—motor

BOTH MODELS

NOTE: Motors used on wood-working tools are particularly susceptible to the accumulation of sawdust and wood chips and should be blown out or "vacuumed" frequently to prevent interference with normal motor ventilation and proper operation of the centrifugally-operated starting switch.

TROUBLE	PROBABLE CAUSE	REMEDY
Excessive noise.	1. Motor.	1. Have motor checked by qualified service technician. Repair service is available at your nearest Sears store.
Motor fails to develop full power. NOTE: LOW VOLTAGE: (Power output of motor decreases rapidly with decrease in voltage at motor terminals. For example, a reduction of 10% in voltage causes a reduction of 19% in maximum power output of which the motor is capable, and a reduction of 20% in voltage causes a reduction of 36% in maximum power output.)	<ol style="list-style-type: none"> 1. Circuit overloaded with lights, appliances and other motors. 2. Undersize wires or circuit too long. 3. General overloading of power company facilities. 	<ol style="list-style-type: none"> 1. Do not use other appliances or motors on same circuit when using the saw. 2. Increase wire sizes, or reduce length of wiring. See "Motor Specifications and Electrical Requirements" section. 3. Request a voltage check from the power company.
Motor starts slowly or fails to come up to full speed.	<ol style="list-style-type: none"> 1. Low voltage. 2. Windings burned out or open. 3. Starting switch not operating. 	<ol style="list-style-type: none"> 1. Request voltage check from the power company. Check size of circuit wiring. 2. Have motor repaired or replaced. 3. Blow out sawdust from motor. Have motor repaired.
Motor overheats.	<ol style="list-style-type: none"> 1. Motor overloaded. 2. Improper cooling (Air circulation restricted through motor due to sawdust accumulation. 	<ol style="list-style-type: none"> 1. Feed work slower into blade. 2. Clean out sawdust to provide normal air circulation through motor. See "Maintenance and Lubrication" section.
Starting switch in motor will not operate.	<ol style="list-style-type: none"> 1. Burned switch contacts (due to extended hold-in periods caused by low line voltage, etc.) 2. Shorted capacitor. 3. Loose or broken connections. 	<ol style="list-style-type: none"> 1. Have switch replaced and request a voltage check from the power company. 2. Have capacitor tested and replace if defective. 3. Have wiring checked and repaired.
Motor stalls (resulting in blown fuses or tripped circuit breakers).	<ol style="list-style-type: none"> 1. Starting switch not operating. 2. Voltage too low to permit motor to reach operating speed. 3. Fuses or circuit breakers do not have sufficient capacity. 	<ol style="list-style-type: none"> 1. Have switch replaced. 2. Request voltage check from the power company. 3. Install proper size fuses or circuit breakers.
Frequent opening of fuses or circuit breakers.	<ol style="list-style-type: none"> 1. Motor overloaded. 2. Fuses or circuit breakers do not have sufficient capacity. 3. Starting switch not operating (motor does not reach speed). 	<ol style="list-style-type: none"> 1. Feed work slower into blade. 2. Install proper size fuses or circuit breakers. Check that wiring will handle load. 3. Have switch replaced. Blow out sawdust.

PARTS LIST FOR CRAFTSMAN 12-INCH BAND SAWS
MODEL NO'S. 113.248211 & 113.248321

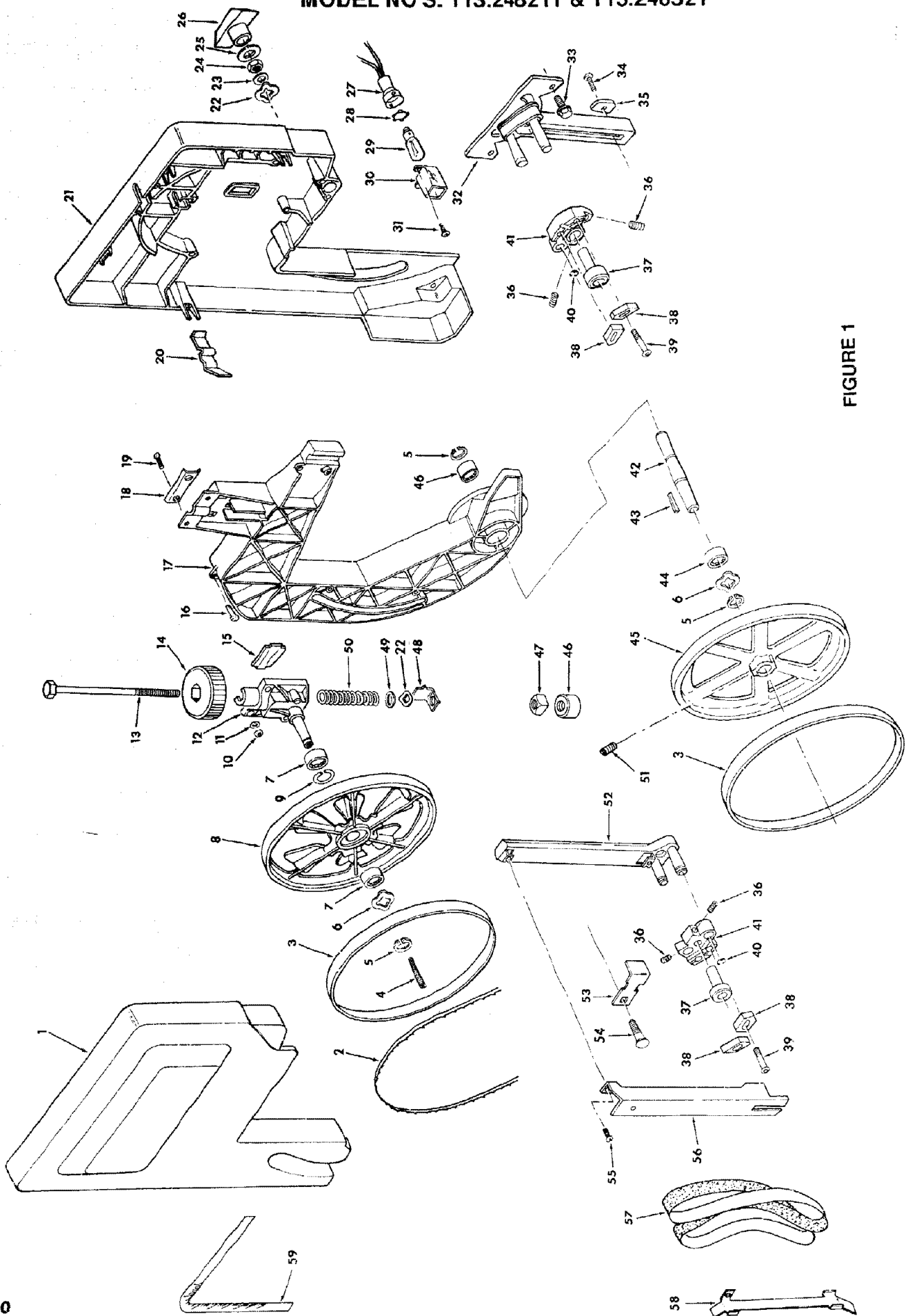


FIGURE 1



**PARTS LIST FOR CRAFTSMAN 12-INCH BAND SAW
MODEL NO'S. 113.248211 & 113.248321**

Always order by Part Number - Not by Key Number

FIGURE 1 - DRIVE ASSEMBLY PARTS

Key No.	Part No.	Description
1	507830	Cover, Front w/Label
2	9-26595	† Blade, Band Saw
3	41815	Tire
4	816600	Screw, Sl. Hd. Set 5/16-18 x 2-1/8
5	STD582062	* Ring, Retaining 5/8
6	41711	Washer, Spring
7	STD315228	* Bearing, Ball
8	816419-2	Wheel, Upper
9	38879	Ring, Retaining 1-3/8
10	STD541431	* Nut, Lock 5/16-18
11	STD551031	* Washer, 21/64 x 5/8 x 1/32
12	816364	Support Assembly, Upper Wheel
13	816446	Screw, Blade Tension 3/8-16 x 10-1/4
14	816437	Knob, Blade Tension
15	816350	Plate, Support
16	808380-5	Screw, Pan Hd. Plastite #8 x 3/4
17	816433	Frame
18	816453	Plate, Pivot Support
19	STD533110	* Bolt, Carriage High Strength 5/16-18 x 1
20	816464	Latch, Cover
21	818050	Cover, Rear
22	808447-2	Washer, Wave 3/8 x 3/4 x .016
23	STD551025	* Washer, 17/64 x 5/8 x 1/32
24	STD541425	* Nut, Lock 1/4
25	805552-20	Washer, 17/64 x 1 x 1/16
26	816435	Knob, 1/4-20
27	816444	Socket, Light
28	808335-2	Retainer
29	STD372252	* Bulb, Light
30	816380	Lens

Key No.	Part No.	Description
31	808380-1	Screw, Pan Hd. Plastite #6 x 3/8
32	816362	Slide Assembly, Lower
33	815865-2	Screw, Hex Wash Hd. 1/4-20 x 5/8
34	STD512505	* Screw, Truss Hd. 1/4-20 x 1/2
35	818000	Guide, Lower Slide
36	STD502502	* Screw, Soc. Set 1/4-20 x 1/4
37	818925	Bearing, Thrust
38	816379	Guide, Blade
39	STD511107	* Screw, Socket Button Cap No. 10-32 x 3/4
40	STD583031	* Ring, Retaining
41	816365	Support, Guide
42	816387	Shaft, Lower Wheel
43	STD580103	* Key, 3/16 Sq. x 15/16
44	STD315238	* Bearing, Ball
45	69059	Wheel, Drive
46	816349	Follower
47	816358	Nut, Heavy Square 3/8-16
48	816377	Indicator, Tension
49	STD551037	* Washer, .380 x .750 x .03
50	816353	Spring, Blade Tension
51	STD503105	* Screw, Soc Set 5/16-18 x 1/2
52	816363	Slide Assembly, Upper
53	816361	Lock, Slide
54	109093	Bolt, Carriage 1/4-20 x 1-3/4
55	813786-2	Screw, Pan Cross Hd. Type "TT" No. 8-32 x 5/8
56	816388	Guard, Blade
57	9-22361	† Belt, Sanding 1/2 x 80
58	816368	Platen, Sanding
59	816606	Scale, Bevel
—	SP5687	Owners Manual (Not Ills.)

* Standard hardware item. May be purchased locally.

† Stock Item - May be secured through the Hardware Department of most Sears Retail Stores or Catalog Order Houses.

PARTS LIST FOR CRAFTSMAN 12-INCH BAND SAWS
MODEL NO'S. 113.248211 & 113.248321

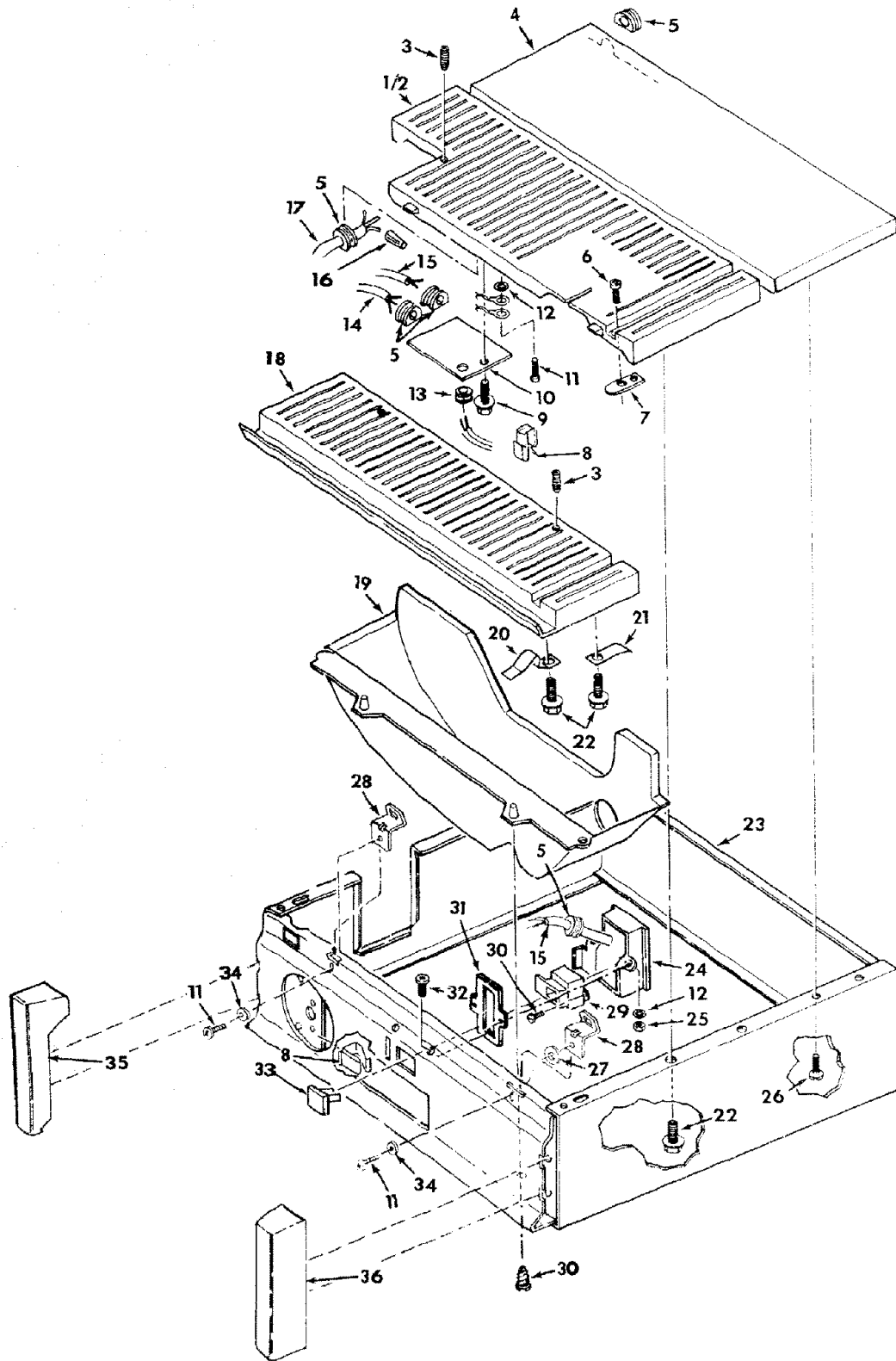


FIGURE 2

**PARTS LIST FOR CRAFTSMAN 12-INCH BAND SAW
MODEL NO'S. 113.248211 & 113.248321**

Always order by Part Number - Not by Key Number

FIGURE 2 - BASE COMPONENTS

Key No.	Part No.	Description
1	816421	Table, Rear (Model 113.248211 only)
2	816420	Table, Rear (Model 113.248321 only)
3	806036-2	Screw, Locking Set 1/4-20 x 1/2
4	816423	Cover Base (Model 113.248211 only)
5	815868	Relief, Strain
6	810214-2	Screw, Low Hd. Cap 1/4-20 x 5/8
7	816371	Key, Table Alignment
8	62204	Clip, Cord
9	STD522505	* Screw, Hex Wash Hd. 1/4-20 x 1/2
10	816372	Plate, Cover
11	STD601103	* Screw, Pan Hd. Type "TT" 10-32 x 3/8
12	STD551210	* Lockwasher, Int. #10
13	169123-12	Relief, Strain
14	816448	Cord, w/Plug
15	816436	Cord, Switch
16	STD375006	* Connector, Wire
17	816888	Cord, Motor

Key No.	Part No.	Description
18	816434	Table, Front
19	816417	Cover, Bottom
20	818529	Spring, Table Latch
21	816370	Spring, Table Alignment
22	815865-2	Screw, Hex Washer Hd. Type "TT" 1/4-20 x 5/8
23	818390	Base Assembly
24	816403	Box, Switch
25	STD541110	* Nut, Hex 10-32
26	STD611005	* Screw, Pan Hd. Ty AB 10 x 1/2 (Model 113.248211 only)
27	STD551012	* Washer, Large 7/32 x 1 x 1/16
28	818777	Latch, Table
29	816113	Switch, Locking
30	STD610805	Screw, Pan Hd. Plastite #8 x 1/2
31	818569	Gasket
32	STD511105	* Screw Pan Cross 10-32 x 1/2
33	9-22256	† Key, Switch
34	STD551010	* Washer, Small 13/64 x 5/8 x 1/32
35	818193	Cap, Trim, L.H.
36	818192	Cap, Trim, R.H.

* Standard hardware item. May be purchased locally.

† Stock Item - May be secured through the Hardware Department of most Sears Retail Stores or Catalog Order Houses.

PARTS LIST FOR CRAFTSMAN 12-INCH BAND SAWS
MODEL NO'S. 113.248211 & 113.248321

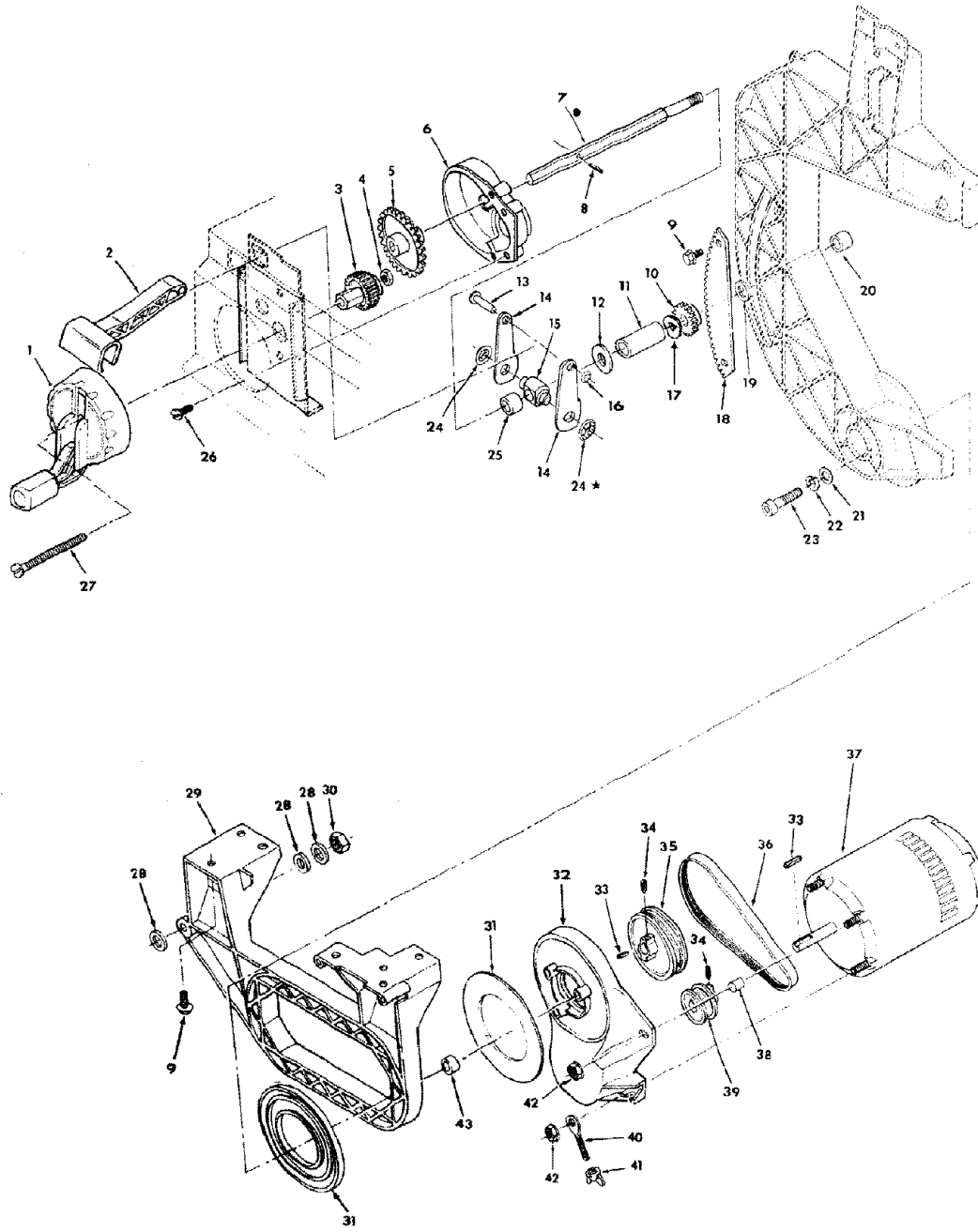


FIGURE 3

**PARTS LIST FOR CRAFTSMAN 12-INCH BAND SAW
MODEL NO'S. 113.248211 & 113.248321**

Always order by Part Number - Not by Key Number

FIGURE 3 - BEVEL DRIVE AND MOTOR MOUNT ASSEMBLY PARTS

Key No.	Part No.	Description
1	816499	Handwheel Assembly
2	816386	Knob, Bevel Lock
3	816381	Pinion Handwheel
4	STD541110	* Nut, Hex 10-32
5	816384	Gear, Handwheel
6	816543	Cover, Bevel Gear
7	816382	Shaft, Bevel
8	STD571207	* Pin, Roll 1/8 x 3/4
9	815865-2	Screw, Hex Washer Hd. Ty TT 1/4-20 x 5/8
10	816348	Pinion, Bevel Drive
11	802392-38	Spacer 1/2 x 2
12	STD551050	* Washer, .507 x 1.25 x .125
13	815774-3	Rivet, 1/4 x 1-1/8
14	816360	Cam, Bevel Lock
15	816359	Mount, Bevel Lock
16	60208	★ Nut, Push 1/4
17	813024-4	Washer, Spring
18	816443	Gear, Segment
19	60317	Washer, 21/32 x 1 x 1/64
20	816452	Spacer, 9/16 x 1/4
21	STD551025	* Washer, 17/64 x 1/2 x 1/32
22	STD551125	* Lockwasher, 1/4
23	815992-3	Screw, Hex Socket Head Ty "TT" 1/4-20 x 7/8
24	60240	★ Nut, Push 3/8
25	816465	Spacer, 1/2 x .59

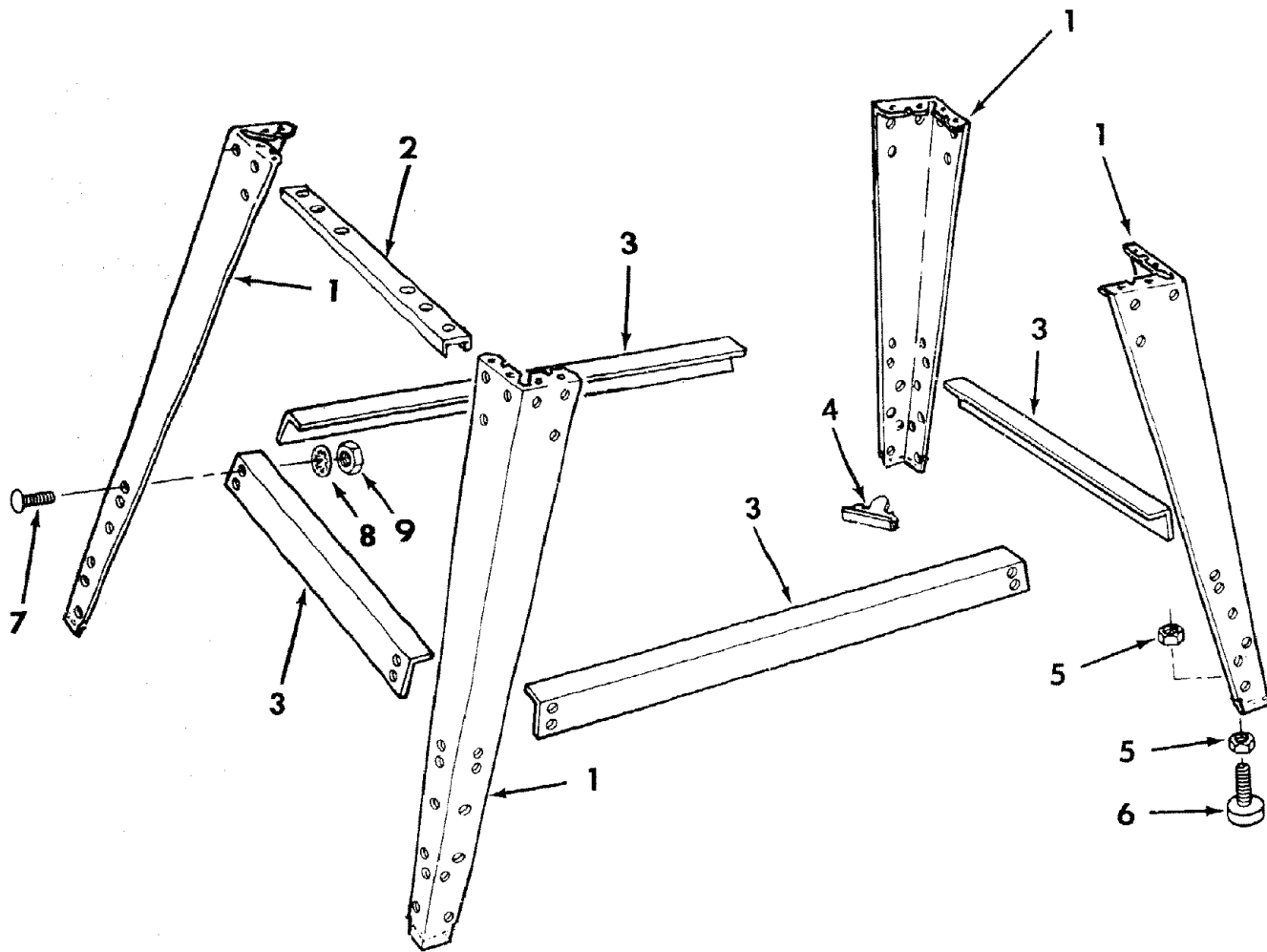
Key No.	Part No.	Description
26	STD610805	* Screw, Pan Hd. Plastite #8 x 1/2
27	809372-18	Screw, Pan Hd. 10-32 x 2
28	STD551037	* Washer, .380 x .750 x .03
29	816504	Support Frame
30	STD541437	* Nut, Lock 3/8-16
31	817165	Washer, Plastic
32	816422	Mount, Motor
33	STD580103	* Key 3/16 Sq. x 15/16
34	STD503105	* Screw, Set 5/16-18 x 1/2
35	816407	Pulley, Polyrib 2 Step (Model 113.248321 only)
35	818775	Pulley, Polyrib 3.5 In. (Model 113.248211 only)
36	816439-2	Belt, Poly "V"
37	816612	① Motor, 1725 R.P.M.
38	802392-50	Spacer, Motor Mount #10 x 1/4
39	816390	Pulley, Polyrib 2 step (Model 113.248321 only)
39	818776	Pulley, Polyrib 1.75 In. (Model 113.248211 only)
40	816815	Stud, Belt Tension
41	STD541631	* Nut, Die Cast Wing 5/16 x 18
42	816817	Nut, Hex Flange Lock 10-32
43	816445	Bushing, Rubber

* Standard Hardware Item, may be Purchased Locally.

★ If this part is removed, discard and replace with new push nut.

① Any attempt to repair this motor may create a hazard unless repair is done by a Qualified Service Technician. Repair Service is available at your nearest Sears Store.

**PARTS LIST FOR CRAFTSMAN 12-INCH BAND SAW
MODEL NO'S. 113.248211 & 113.248321**



Always order by Part Number - Not by Key Number

FIGURE 4 - LEG SET PARTS LIST

Key No.	Part No.	Description
1	817105	Leg
2	818163	Channel, Leg
3	815909	Stiffener, Lower
4	818170	Bracket, Leg
5	STD541237	* Nut, Hex Jam 3/8-16
6	803835-1	Foot, Leveling
7	STD522506	* Screw, Truss Hd. 1/4-20 x 1/2
8	STD551225	* Lockwasher, Int. 1/4
9	STD541025	* Nut, 1/4-20

*Standard Hardware Item may be Purchased Locally.

SEARS

owners manual

SERVICE

MODEL NO. 113.248211

Single Speed Band Saw
with Leg Set

MODEL NO. 113.248321

Two Speed Band Saw
with Leg Set

HOW TO ORDER REPAIR PARTS

12-INCH BAND SAW

Now that you have purchased your 12-inch Band Saw, should a need ever exist for repair parts or service, simply contact any Sears Service Center and most Sears, Roebuck and Co. stores. Be sure to provide all pertinent facts when you call or visit.

The model number of your 12-Inch Band Saw will be found on a plate attached to your saw, at the left-hand side of the base.

WHEN ORDERING REPAIR PARTS, ALWAYS GIVE THE FOLLOWING INFORMATION:

PART NUMBER	PART DESCRIPTION
MODEL NUMBER 113.248211 or 113.248321	NAME OF ITEM 12-Inch Band Saw

All parts listed may be ordered from any Sears Service Center and most Sears stores. If the parts you need are not stocked locally, your order will be electronically transmitted to a Sears Repair Parts Distribution Center for handling.

Sold by SEARS, ROEBUCK AND CO., Chicago, IL 60684 U.S.A.