



Bottom-Mount Refrigerator

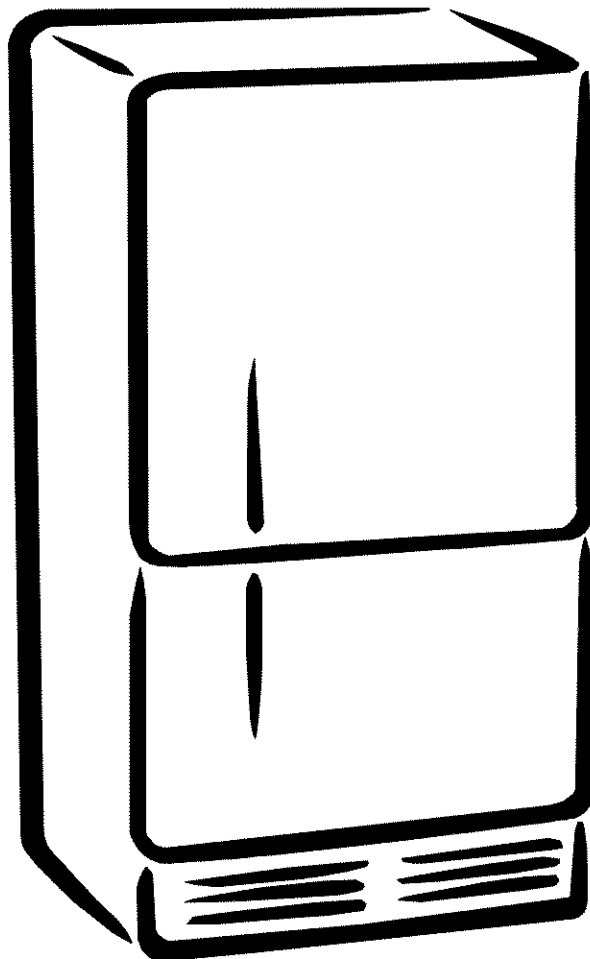
Use & Care Guide

Refrigerador con montaje inferior

Manual de uso y cuidado

Réfrigérateur à compartiment inférieur

Guide d'utilisation et d'entretien



ENGLISH **ESPAÑOL** **FRANÇAIS**

 Recognize this symbol as a safety precaution.

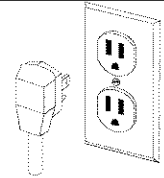
Electrical Requirements

WARNING

To avoid electrical shock which could cause severe personal injury or death, do not cut or remove round grounding prong from plug. Do not remove warning tag from power cord.

Do not use a two-prong adapter. Do not use an extension cord.

This refrigerator is equipped with a three-prong (grounding) plug for protection against possible shock hazards. If a two-prong wall receptacle is encountered, contact a qualified electrician and have the two-prong wall receptacle replaced with a properly grounded three-prong wall receptacle in accordance with the National Electrical Code.



Refrigerator is designed to operate on a separate 103 to 126 volt, 15 amp., 60 cycle line.

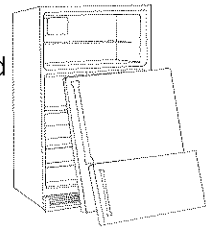
DANGER

Proper Disposal of Your Refrigerator

IMPORTANT: Child entrapment and suffocation are not problems of the past. Junked or abandoned refrigerators are still dangerous—even if they sit for "just a few days". If you are getting rid of your old refrigerator, please follow the instructions below to help prevent accidents.

BEFORE YOU THROW AWAY YOUR OLD REFRIGERATOR OR FREEZER:

- Take off the doors.
- Leave the shelves in place so children may not easily climb inside.



Warranty

Full One Year Warranty on Refrigerator

For one year from the date of purchase, when this refrigerator is operated and maintained according to instructions attached to or furnished with it, Sears will repair it, free of charge, if defective in material or workmanship.

Full Five Year Warranty on Sealed Refrigeration System

For five years from the date of purchase, when this refrigerator is operated and maintained according to instructions attached to or furnished with it, Sears will repair the sealed system (consisting of refrigerator, connecting tubing and compressor motor) free of charge, if defective in material or workmanship.

The above warranty coverage applies only to refrigerators which are used for storage of food for private household purposes. Excludes original and replacement Kenmore Filtered Ice & Water filter cartridges and Kenmore Air Filtration cartridges. Original and replacement cartridges are warranted for 30 days, parts only, against defects of material or workmanship.

Warranty Service is available by contacting 1-800-4-MY-HOME (1-800-469-4663).

This warranty applies only while this product is in use in the United States.

This Warranty gives you specific legal rights, and you may also have other rights, which vary from state to state.

Sears, Roebuck and Co, Dept 817WA, Hoffman Estates, IL 60179

Read and Save These Instructions

Record in the space provided below the model and serial numbers found on the serial plate located on the top left wall of the refrigerator compartment.

Model Number: 596. _____

Serial Number: _____

Purchase Date: _____

Contents

Electrical Requirements	2
Proper Disposal of Your Refrigerator	2
Warranty	2
Model Identification	2
Installation Checklist	3
Installation Instructions	3
Leveling Refrigerator	3
Door Removal	4
Door Reversal	5
Install Water Filtration Cartridge	5
Install Air Filtration Cartridge	5
Connect ice maker water supply line	5
Controls	6
Fresh Food and Freezer Controls	6
Setting Controls	6
Fresh Food Features	6
Spillproof Shelves	6
Slide Out Shelves	6
Adjustable Position Drawer	6
Drawers	7
Covered Utility Bin	7
Dairy Compartment	7
Door Buckets	7
Door Shelf	7
Adjustable Dividers	8
Tall Package Retainer	8
Freezer Features	8
Automatic Ice Maker	8
Slideout Shelf	8
Vertical Shelf Divider	8
Tilt-Out Bin	9
Care and Cleaning	9
General	9
Odor Removal	9
Adhesives	9
Door Gaskets	9
Condenser Coils	9
Glass Shelves	9
Light Bulbs	10
Energy Tips	10
Vacation Tips	10
Normal Operating Sounds	11
Before Calling For Service	12
Español	13
Français	25

Note: Translation may sometimes cause variations in meaning. In all cases where meaning varies, the most accurate meaning will be the English version of this document.

Installation Checklist

Verify the following has been completed to ensure proper operation of your refrigerator.

Doors

- Handles are solidly attached.
- Handle side of door is $\frac{1}{8}$ " higher than hinge side of door. (See installation instructions.)
- Doors seal completely to refrigerator cabinet.

Leveling

- Refrigerator is tilted $\frac{1}{4}$ " (6mm) from front to rear and level side to side.

Ice Maker

- Water supply to refrigerator is attached and turned on.
- Water leaks are not present at connection between household water supply and refrigerator. (After 24 hours check connection for water leaks.)
- Ice maker arm is in on position for ice production. (It may take up to 24 hours for first harvest of ice.)

Electrical

- Properly ground 3-prong wall receptacle is used to plug in refrigerator.

Water Filter

- Bypass cartridge is shipped with refrigerator has been removed and water filter is installed (See water filter installation and operating instruction shipped with water filter.)
- Verify there are no water leaks around water filter head.
- If water filter is installed water pressure to refrigerator must be a minimum of 35 psi.
- Retain bypass cartridge for use if water filter cartridge becomes clogged before a replacement can be purchased.

Air Filter

- Air filter assemblies are installed over the each air return in the fresh food section. This assembly is shipped with filter cartridge already in place.

Installation Instructions

Proper installation will ensure that this refrigerator operates most efficiently.



WARNING

Keep flammable materials and vapors, such as gasoline, away from refrigerator. Failure to do so can result in death, explosion, fire, or burns.

- To ensure proper ventilation for your refrigerator, allow for a 1" (2.5 cm) space at the top of your refrigerator.
- Make sure you leave some extra space at the back to allow for the water line connection.

NOTE: Do not install the refrigerator near an oven, radiator, or other heat source. Do not install the refrigerator in a location where the temperature will fall below 55°F (13°C).

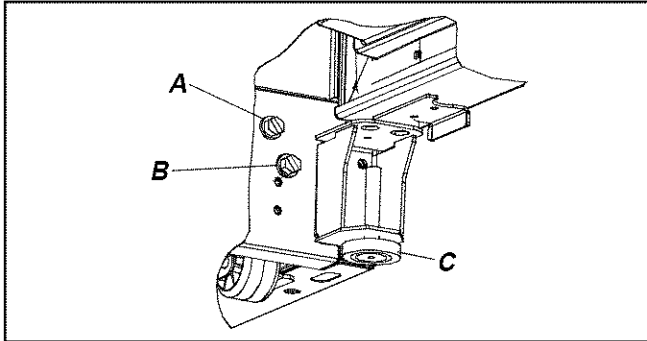
Leveling Refrigerator

Some installation may require door reversal to achieve full door swing. If so proceed to *Door Reversal* section before leveling your refrigerator.

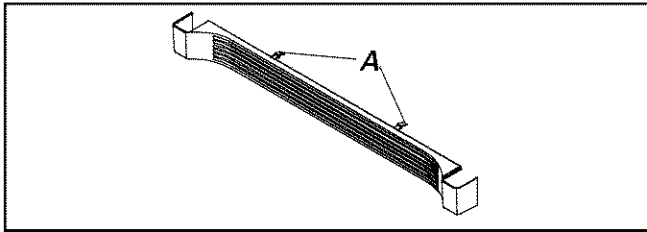
If your refrigerator requires ice maker water supply connection, proceed to *Connect Ice Maker Water Supply* section before leveling refrigerator.

1. Plug in power cord.
2. Move refrigerator into final location.
3. Level refrigerator using a level placed on top of the refrigerator.
 - Remove toe grille by grasping both ends and pulling straight out from unit. Grille snaps free.

- The left and right corners of front cabinet base contain screws to allow individual adjustment of all four corners. Adjust the front and rear of each corner until leveling is complete.
- Turn roller adjustment screws(**A** or **B**) to the right to raise cabinet, or to the left to lower cabinet. Front of refrigerator must be ¼" (6 mm), or ½ bubble on your level, higher than the back of your refrigerator.
- After leveling, turn stabilizing leg(**C** - *some models*) to the right until firmly against floor.



- Locate metal clips(**A**) mounted to inside of toe grille assembly. Hook bottom set of clips inside metal molding beneath freezer. Press forward on upper part of grille until top portion snaps into place.



CAUTION

To avoid personal injury or property damage caused by refrigerator tipping, stabilizing leg must be firmly against floor.

Door Removal

Some installations may require door removal to move or dispose of unit

Tools Required

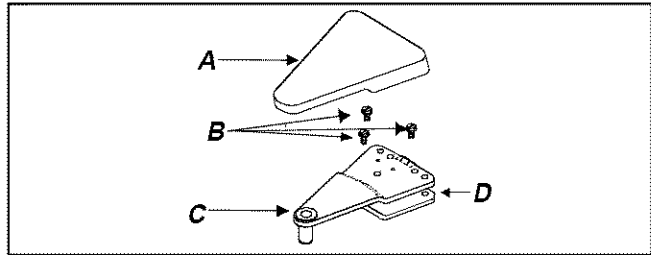
5/16" hex nut driver

9/32" hex nut driver

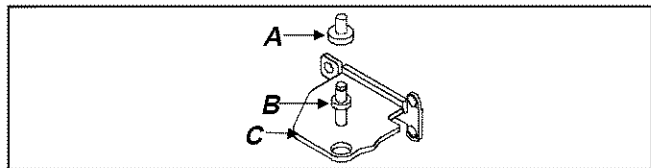
IMPORTANT:

- Save all screws for reuse.
 - For plug removal requiring use of flat blade screwdriver or putty knife, **blade of tool must be covered with masking tape to avoid damage to refrigerator finish.** For plugs using a screwdriver or nut driver style head, use appropriate tool to avoid damage to plugs.
1. Remove door buckets from refrigerator and freezer door (some models).
 2. Remove top hinge cover and hinge.

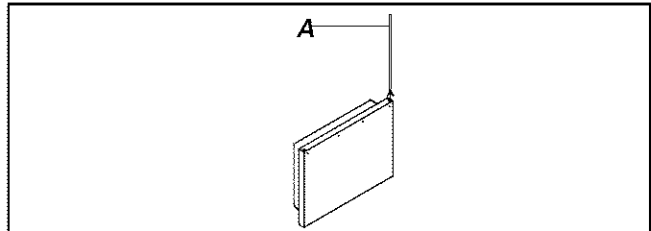
- Remove hinge cover(**A**). Cover snaps off.
- Use 5/16" hex nut driver to remove screws(**B**) of top hinge(**C**). Remove and retain all shims(**D**).



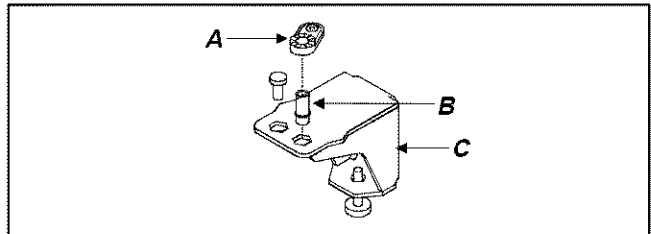
3. Remove refrigerator door from center hinge(**C**) by lifting from center hinge pin(**B**). Remove and retain door closure(**A**) from top of hinge pin(**B**).



4. Remove center hinge pin using 9/32" hex nut driver. Due to tight fit of pin, firm pressure may need to be applied. Remove and retain all shims.
5. Remove freezer door by lifting door off bottom hinge. An internal support rod(**A**) may slide out of hinge socket. Replace rod before hanging door.



- Inspect bottom hinge(**C**) to verify all shims are with bottom hinge pin(**B**). Retain door closure(**A**) from top of hinge pin.



6. To replace doors, follow steps 1-5 in reverse order.

Door Reversal

If you wish to reverse doors on unit, call 1-800-843-0304, option 4, to schedule a service appointment. This visit will be free of charge if appointment is made within three months of purchase date.

Install Water Filtration Cartridge

1. **Bypass cartridge must be removed before connecting water to unit.** Remove bypass cartridge from water filter head in rear right corner of

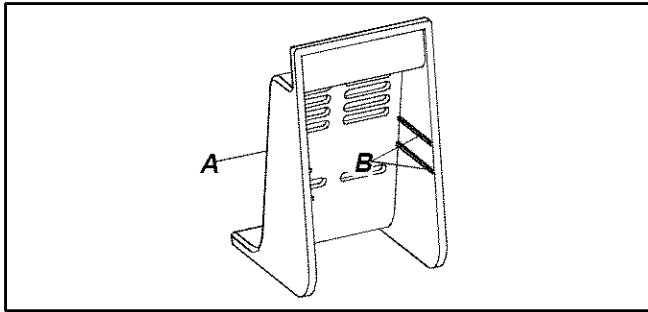
refrigerator section. Twist cartridge left ¼ turn and pull down to remove. Save bypass for use at a later date.

2. See *Water Filtration System Installation and Operation Instructions* provided with water filter cartridge for filter installation and operation.

Install Air Filtration Cartridge

Cartridge should be replaced every three months. Strong food odors (i.e. unwrapped onions, garlic, etc.) will shorten life of cartridge.

1. Locate air filtration assembly at air return of refrigeration cabinet. Filter holder (A) is attached to cabinet by velcro. Pull holder off cabinet wall.
2. Locate odor filter inside holder. Filter slides out.
3. Insert replacement cartridge by sliding into grooves (B).



Connect ice maker water supply line



WARNING

To avoid electrical shock which can cause severe personal injury or death, disconnect power to refrigerator before connecting water supply. After connecting water supply, connect power.



CAUTION

Observe the following to avoid property damage:

- Verify that bypass cartridge has been removed and replaced with water filter in water filter assembly.
- Make sure water pressure to water valve is between 20 and 100 pounds per square inch.
- Tighten adapter fitting and nuts with pliers and wrenches. Do not overtighten.
- Check for water leaks and correct if necessary before returning refrigerator to normal location. After 24 hours check again for leaks.

Important

- Before connecting water supply, contact a plumber to connect copper tubing to household plumbing in compliance with local codes and ordinances.
- Sears does not recommend using a self-piercing, or 3/16" saddle valves! Both reduce water flow, become plugged with sediment over time and may cause leaks

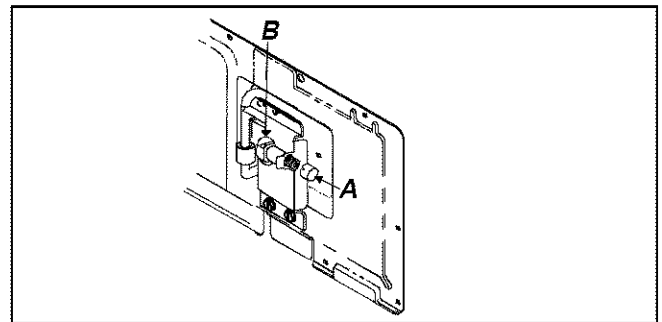
if repair is attempted. The correct type of shut-off valve requires a 1/4" hole to be drilled in the water supply pipe before valve attachment. Sears is not responsible for property damage caused by improper water connection.

Materials Required

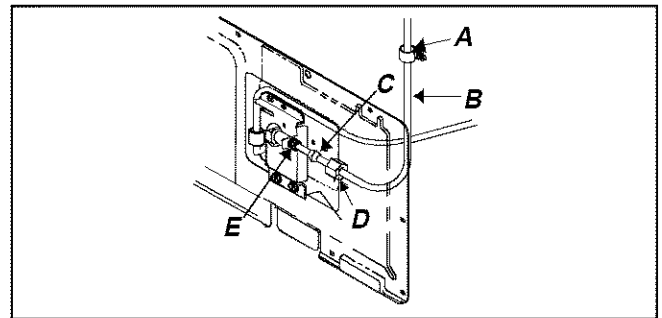
1/4" O.D. (6 mm) flexible copper tubing is required. Length of copper tubing must reach from water supply connection to water valve inlet port on back of refrigerator, plus additional 8' (2 m) of tubing for a service loop. A service loop will allow refrigerator to be pulled away from the wall without disconnecting tubing.

Procedure

1. Remove plastic cap (A) from water valve inlet port (B).



2. Place brass nut (D) and brass sleeve (C) on copper tubing (B). (Brass nut and sleeve are found in your literature packet.) Insert copper tubing into water valve inlet port (E). Connect brass nut on copper tubing to water valve inlet port. Make sure copper tubing is secure by pulling on copper tubing.
3. Turn on water supply to refrigerator and check for leaks. Correct any leaks at connection. Be careful not to overtighten connection.
4. Create a service loop using extreme care to avoid kinks. Secure copper tubing to refrigerator cabinet with a "P" clamp (A).



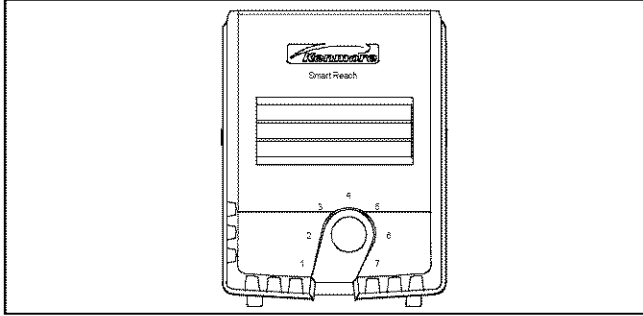
ENGLISH

Controls

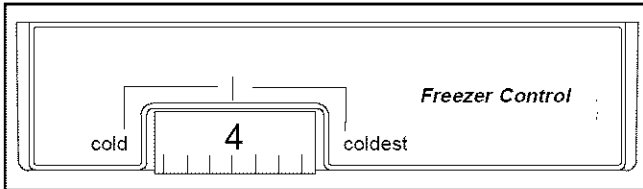
This refrigerator operates most efficiently in normal household temperatures of 55° to 110°F (13°C to 43°C).

Fresh Food and Freezer Controls

Fresh Food control is located on upper rear wall of Fresh Food section.



Freezer control is located on right front ceiling of freezer section.



When freezer control is set to *OFF*, neither Fresh Food nor freezer sections will cool. Initially, set both controls to 4. Wait 24 hours for Fresh Food and freezer sections to reach desired temperatures. After 24 hours, adjust controls, one number at a time, as desired. 1 is warmest setting and 7 is coldest.

Setting Controls

Set controls precisely using a household thermometer that includes temperatures between -5° to 50°F (-21° to 10°C).

Put thermometer snugly between frozen packages in freezer section. Wait 5–8 hours. If freezer temperature is not 0° to 2°F (-17° to -16°C), adjust control, one number at a time. Check again after 5–8 hours.

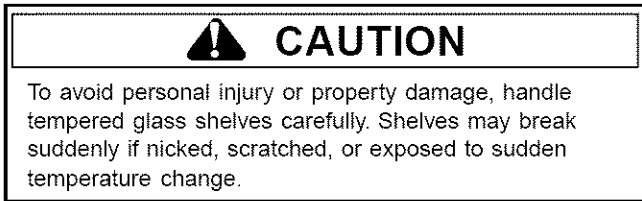
Put thermometer in a glass of water in middle of Fresh Food section. Wait 5–8 hours. If Fresh Food temperature is not 38° to 40°F (3° to 4°C), adjust control, one number at a time. Check again after 5–8 hours.

Fresh Food Features

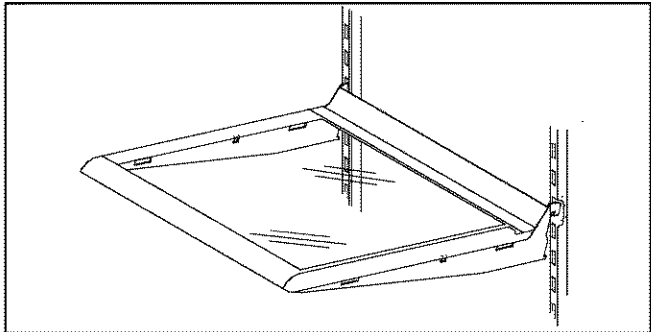


Spillproof Shelves

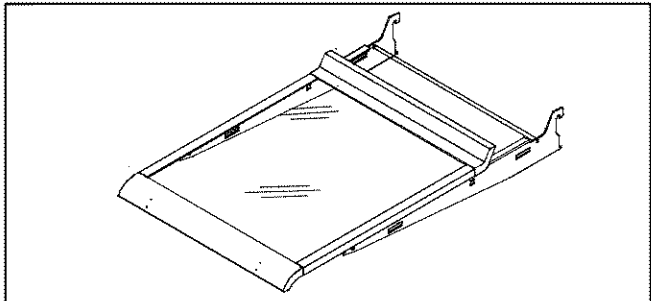
Spillproof shelves adjust to meet individual storage needs and hold simple spills for easier cleaning.



- Remove shelves by lifting front, releasing hooks from metal track then pulling out.
- Replace shelves by inserting hooks into metal track and lowering front.



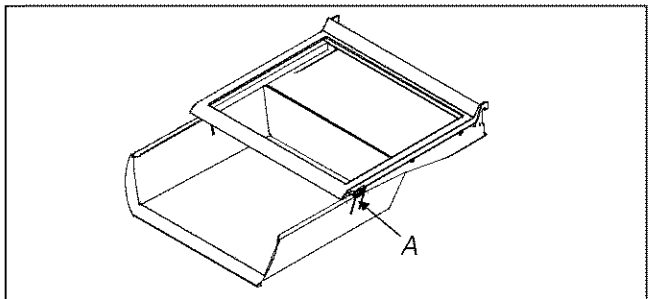
Slide out shelves pull forward for easy access of items in back.



Adjustable Position Drawer

Adjustable position drawer provides space saving storage underneath spillproof shelf and pulls forward for easy access.

- Remove shelf by pulling forward until shelf stops. Push tabs(A) on sides of shelf in and pull shelf forward.
- Replace shelf by inserting shelf into track and sliding back.



Drawers

Humidity Controlled Crisper Drawer

The right drawer is humidity controlled. This drawer keeps produce fresh longer. Wrap produce tightly. Do not wash produce before placing in drawer. Excess moisture could cause produce to spoil prematurely. Do not line drawer with paper towels. Paper towels will retain moisture. Humidity control is located below front shelf trim. Control adjusts humidity in drawer. Slide control to right for produce with leaves such as lettuce, spinach or cabbage. Slide control to left for produce with skins such as cauliflower, corn or tomatoes.

Temperature Controlled Drawer

The left drawer is temperature controlled. This drawer keeps food fresh longer and up to 5°F (3°C) colder than Fresh Food temperature. Use this drawer for deli storage or additional produce storage.

Temperature control is located below front shelf trim. Control adjusts amount of air circulating around drawer. Slide control left for normal Fresh Food temperature and right for colder temperature. Ice crystals may form on drawer or food on coldest setting. Cold air can decrease Fresh Food temperature. Fresh Food control may need to be adjusted.

Remove shelf and drawers by completing the following steps.

1. Open left* drawer.

*For doors hinged on left, open right drawer.

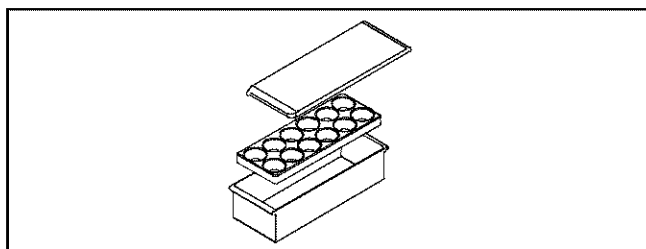
 **CAUTION**

To avoid personal injury or property damage, handle tempered glass shelves carefully. Shelves may break suddenly if nicked, scratched, or exposed to sudden temperature change.

2. Remove shelf by gently pushing up from underneath. Tilt one end up then pull out.
3. Remove left* drawer by lifting front while supporting underneath then pulling out.
*For doors hinged on left, remove right drawer.
4. Remove support post at recess in bottom center of Fresh Food section by lifting.
5. Remove other crisper by sliding to opposite wall. Lift front while supporting underneath then pull out.
6. Replace drawers and shelf by reversing steps 1–5.

Covered Utility Bin

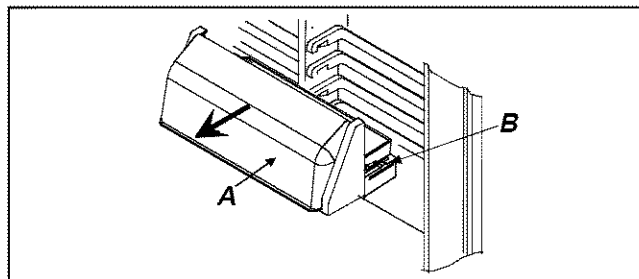
The utility bin has a lid and removable egg tray. When tray is removed, bin will accept items such as a standard egg carton, ice, etc.



Dairy Compartment

Dairy compartment provide convenient storage for items such as butter, cheese, etc.

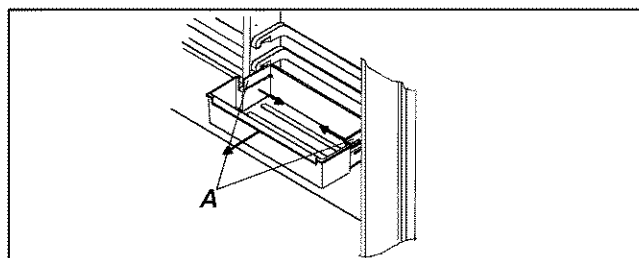
- Remove dairy compartment by lifting door (A), pushing tabs (B) toward center and pulling out.
- Replace dairy compartment by sliding in until tabs (B) lock into place and lowering door.



Door Buckets

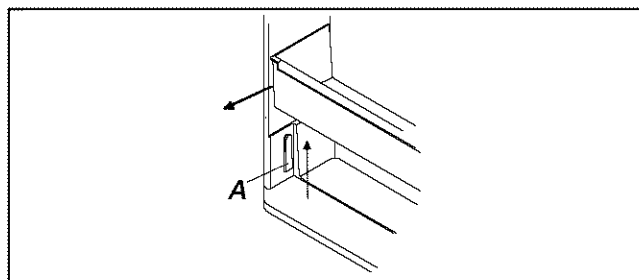
Door buckets adjust to meet individual storage needs.

- Remove door buckets by pushing tabs (A) toward center and pulling out.
- Replace door buckets by sliding in until tabs (A) lock into place.



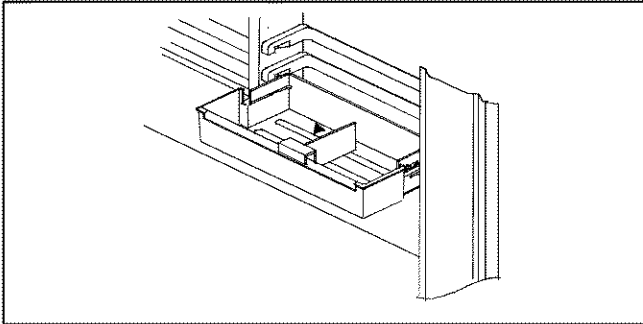
Door Shelf

- Remove door shelf by lifting ends and pulling out.
- Replace door shelf by placing shelf on glides (A) and sliding down.



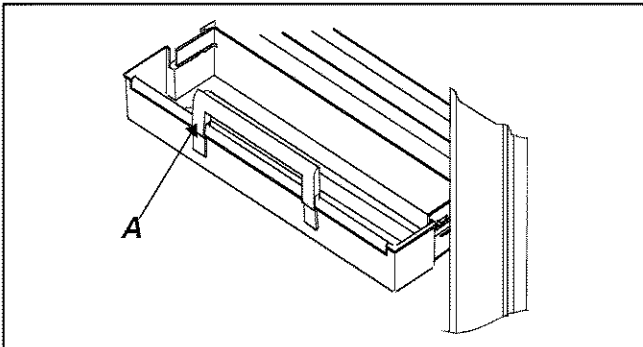
Adjustable Dividers

Adjustable dividers keep items in place and adjust to meet individual storage needs. Divider fits in any Fresh Food door bucket or door shelf.



Tall Package Retainer

Tall package retainer keeps tall items secure. Retainer fits in any Fresh Food door bucket or door shelf.



Freezer Features

Frost-Free System

The fresh food and freezer sections are completely frost-free. Defrosting is automatic under normal conditions. Fresh food and freezer sections never have to be defrosted.

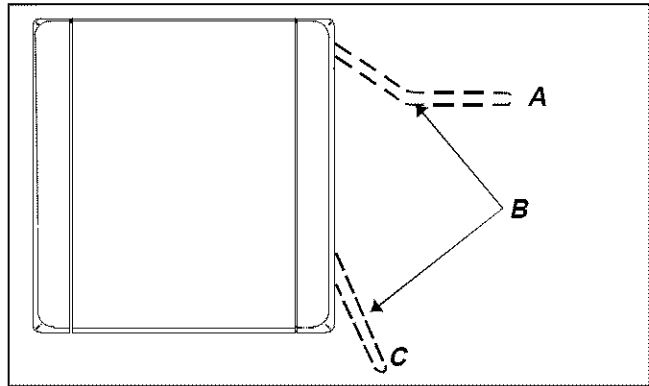
Automatic Ice Maker

- Make sure ice bucket is in place and ice maker arm (B) is in the on position (C).
- After freezer section reaches normal temperature, the ice maker fills with water and begins operating. Allow 24–48 hours after installation before first harvest of ice. Ice maker produces 7 to 9 harvests of ice in a 24-hour period under ideal conditions.
- After ice is formed, ice maker drops ice cubes into ice storage bucket. During ice production, ice maker arm raises and lowers. When ice storage bucket is full, ice maker arm (B) turns ice maker off (A).

Note: Discard first 3 harvests of ice so any impurities left in the water line after installation are not consumed.

- If you wish to stop automatic ice production lift ice maker arm. A definite click is heard when proper

position is reached. Ice maker arm will remain in that position until pushed down.



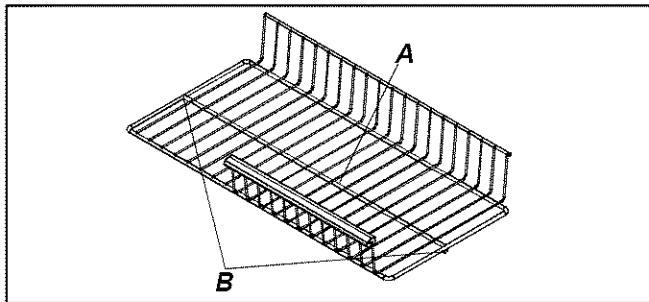
CAUTION

Make sure shelf is secure before placing items on shelf to avoid property damage.

Slideout Shelf

Slide out shelf pulls forward for easy access to items in back.

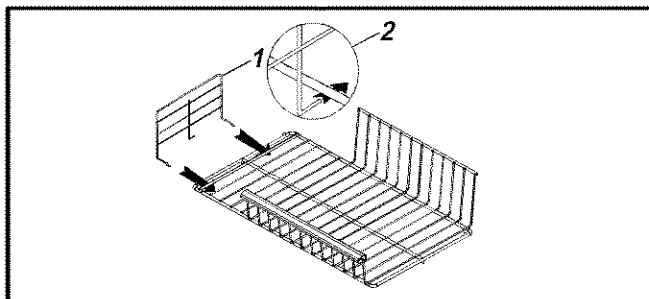
- Remove slideout shelf by sliding forward until ball (B) beneath center rail (A) catches in molding groove.
- Grasp shelf by center rail (A), pull up, and remove.
- Slide in until ball (B) falls into molding groove.



Vertical Shelf Divider

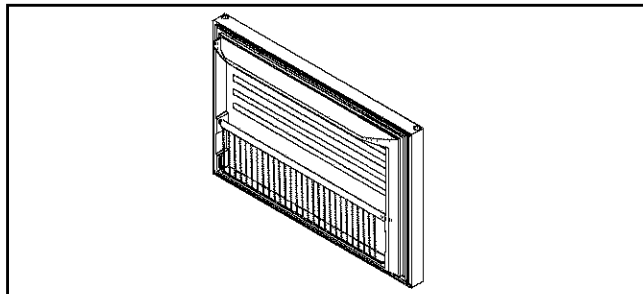
Install vertical shelf divider by completing the following steps:

1. Slide prongs of shelf divider beneath desired grill work, slightly off-center from center rail.
2. Press top of divider down and slide hook assembly beneath center rail.




Tilt-Out Bin

The tilt-out bin provides convenient storage for frozen food items in freezer door and tilts forward for easy access of those items.



Care and Cleaning

 **WARNING**

To avoid electrical shock which can cause severe personal injury or death, disconnect power to refrigerator before cleaning. After cleaning, connect power.

 **CAUTION**

To avoid personal injury or property damage, read and follow all cleaning product manufacturer's directions.

General

1. Use a clean sponge or soft cloth and a mild detergent in warm water. **Do not use abrasive or harsh cleaners.**
2. Rinse surfaces with warm water. Dry surfaces with a soft, clean cloth.
3. Do not use paper towels, window sprays, scouring cleansers or flammable fluids to clean plastic parts (covers and panels). These can scratch or damage material.
 - Do not place buckets, shelves, etc. in dishwasher.
4. Wax painted metal surfaces at least twice a year using an appliance or automotive (clear coat safe) paste or liquid wax. Apply wax with a clean, soft cloth. Do not wax plastic parts.

Odor Removal

1. Remove all food.
2. Clean all interior surfaces including ceiling, floor, and walls according to *General* instructions. Pay special attention to corners, crevices, and grooves. Include all drawers, shelves, and gaskets.
3. Wash and dry all bottles, containers and jars before returning food to refrigerator. Wrap foods in tightly sealed containers to prevent further odor. After 24 hours, check if odor was eliminated.

Complete the following steps if odor was not eliminated.

4. Complete steps 1–2.
5. Place garden fresh crispers on top shelf of Fresh Food section. Pack Fresh Food and freezer sections, including doors, with crumpled sheets of black and white newspaper.
6. Place charcoal briquettes randomly throughout newspaper.
7. Close doors and let stand 24–48 hours.
8. Remove charcoal briquettes and newspapers.
9. Complete steps 2–3.

If odor is still not eliminated, contact a Sears Service Center.

Adhesives

1. Remove glue residue by rubbing toothpaste into adhesive with fingers until adhesive loosens.
2. Rinse surface with warm water. Dry surface with a soft, clean cloth.

Door Gaskets

1. Clean door gaskets as necessary according to *General* instructions. Gaskets must be kept clean and pliable to assure proper seal.
2. Apply a light film of petroleum jelly on hinge side of gasket to keep gaskets pliable.

Condenser Coils

Clean condenser coil every 3 months to ensure maximum performance of refrigerator. Accumulated dust and lint may cause the following:

- reduced cooling performance
 - increased energy usage
 - premature part failure
1. Disconnect power to unit.
 2. Remove toe grille by holding ends and pulling forward.
 3. Clean front surface of condenser coil with a vacuum cleaner hose nozzle.
 4. Replace toe grille by inserting clips in holes and snapping in.

Glass Shelves

 **CAUTION**

To avoid personal injury or property damage, handle tempered glass shelves carefully. Shelves may break suddenly if nicked, scratched, or exposed to sudden temperature change.

Remove shelf by lifting front, releasing hooks from metal track then pulling out. Place shelf on a towel. Allow shelf to adjust to room temperature before cleaning.

Clean crevices by completing the following steps:

1. Dilute mild detergent and brush solution into crevices using a plastic bristle brush. Let set for 5 minutes.



2. Spray warm water into crevices using faucet spray attachment.
3. Dry shelf thoroughly and replace shelf by inserting hooks into metal track and lowering front.

Light Bulbs

⚠ WARNING

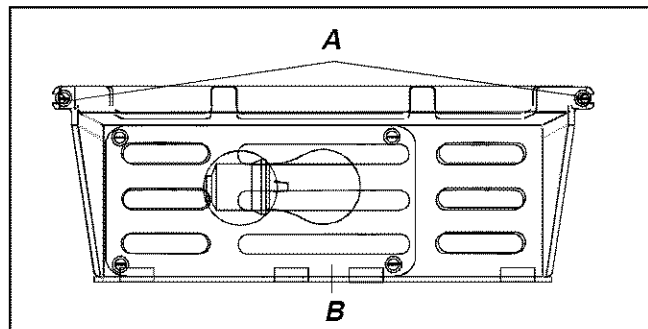
To avoid electrical shock which can cause severe personal injury or death, disconnect power to refrigerator before replacing light bulb. After replacing light bulb, connect power.

⚠ CAUTION

To avoid personal injury or property damage, observe the following:

- Allow light bulb to cool.
- Wear gloves when replacing light bulb.

- Remove light bulb cover **(B)** by removing ¼" hex nut screws **(A)**. **Replace with appliance bulb no greater than 60 watts.**
- Replace light bulb cover **(B)** by replacing ¼" hex nut screws **(A)**.



Energy Tips

This refrigerator is designed to be one of the most energy efficient refrigerators available. Reduce energy use by observing the following.

- Operate in normal household temperatures of 55° to 110°F (13°C to 43°C) away from heat sources and direct sunlight.
- Set Fresh Food, freezer, and drawer controls no colder than necessary.
- Keep freezer section full.
- Keep door gaskets clean and pliable. Replace gaskets if worn.
- Keep condenser coils clean.

Vacation Tips

Complete the following steps for short vacations.

1. Remove perishable foods. **Warranty does not cover food loss.** Check warranty certificate for specific coverage.

2. Move ice maker arm to off position.

Complete the following steps for long vacations.

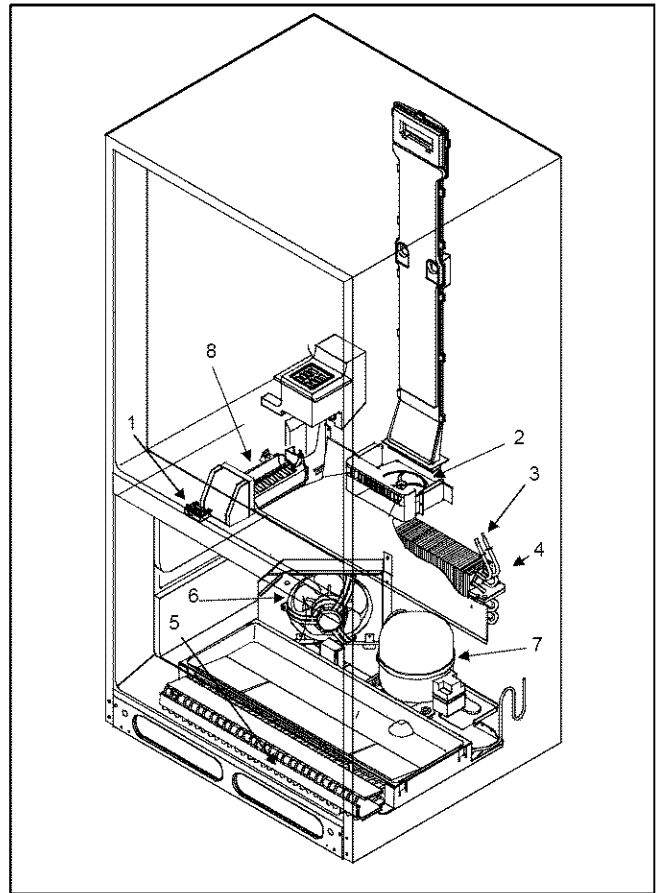
1. Empty Fresh Food and freezer sections.
2. Unplug refrigerator.
3. Clean refrigerator and door gaskets according to *General instructions in Care and Cleaning* section.
4. Prop doors open, so air can circulate inside.
5. Turn water supply to refrigerator off and move ice maker arm to off position.

Normal Operating Sounds

This new refrigerator may be replacing a differently designed, less efficient or smaller refrigerator. Today's refrigerators have new features and are more energy efficient. As a result, certain sounds may be unfamiliar. These sounds are normal and will soon become familiar. These sounds also indicate refrigerator is operating and performing as designed.

1. **Freezer control** clicks when starting or stopping compressor.
2. **Freezer fan** air rushes and whirs.
3. **Sealed system** (evaporator and heat exchanger) refrigerant flow gurgles, pops or sounds like boiling water.
4. **Defrost heater** sizzles, hisses or pops.
5. **Condenser fan** air rushes and whirs.
6. **Compressor** has a high pitched hum or pulsating sound.
7. **Ice cubes** from ice maker drop into ice bucket.
8. **Ice maker water valve hookup** buzzes when ice maker fills with water. This occurs whether or not refrigerator is connected to water supply. If refrigerator is not connected to water supply, stop sound by raising ice maker arm to off position.

Note: Foam insulation is very energy efficient and has excellent insulating capabilities. However, foam insulation is not as sound absorbent as previously used fiberglass insulation.



ENGLISH

Before Calling For Service

Problem	Solution
Refrigerator does not operate.	<ul style="list-style-type: none"> • Confirm freeezer control is on. • Confirm refrigerator is plugged in. • Check fuse or circuit breaker. Plug in another item at that wall outlet. • Wait 40 minutes to see if refrigerator restarts. If freezer control is on, lights work but 2 fans and compressor are not operating, refrigerator may be in defrost cycle.
Refrigerator still won't operate.	<ul style="list-style-type: none"> • Unplug refrigerator. Transfer food to another unit or place dry ice in freezer section to preserve food. Call for service.
Food temperature appears too warm.	<ul style="list-style-type: none"> • See above sections. • Allow time for recently added warm food to reach fresh food or freezer temperature. • Check gaskets for proper seal. • Clean condenser coils. • Adjust fresh food and/or freezer control.
Temperature controlled drawer temperature is too warm.	<ul style="list-style-type: none"> • Slide control to colder setting. • Adjust freezer control to colder setting.
Food temperature is too cold.	<ul style="list-style-type: none"> • Clean condenser coils. • Adjust fresh food control. • Adjust freezer control to warmer setting. Allow several hours for temperature to adjust.
Refrigerator runs too frequently.	<ul style="list-style-type: none"> • It may be normal to maintain constant temperature. • Doors may have been opened frequently or for an extended period of time. • Allow time for recently added warm food to reach fresh food or freezer temperature. • Clean condenser coils. • Adjust freezer control. • Check gaskets for proper seal.
Water droplets form on inside of refrigerator.	<ul style="list-style-type: none"> • It is normal during high humidity periods or if doors have been opened frequently.
Water droplets form on outside of refrigerator.	<ul style="list-style-type: none"> • Check door gaskets for proper seal.
Drawers do not close freely.	<ul style="list-style-type: none"> • Check for a package which may prevent drawer from closing properly. • Confirm drawer is in proper position. • Clean drawer channels with warm, soapy water. Rinse and dry thoroughly. • Apply a thin layer of petroleum jelly to drawer channels. • Confirm refrigerator is level.
Refrigerator has an odor.	<ul style="list-style-type: none"> • Replace air filtration cartridge. • See Odor Removal instructions in Care and Cleaning section.
Refrigerator or ice make unfamiliar sounds or seems too loud.	<ul style="list-style-type: none"> • It may be normal. See <i>Normal Operating Sounds</i> section.
Ice maker is not producing ice.	<ul style="list-style-type: none"> • Confirm ice maker arm is down. • Confirm household water supply is reaching water valve. • Confirm ice maker wiring harness is completely inserted into proper holes. • Check for kinks in copper or plastic tubing. Remove kinks or replace tubing. • Check electrical connections to water valve coil and connector block on refrigerator cabinet. • Confirm freezer section is operating at proper temperature.
Ice cubes have an odor.	<ul style="list-style-type: none"> • See <i>Odor Removal</i> instructions in <i>Care and Cleaning</i> section. • Discard ice and clean ice bucket more frequently. Ice cubes are porous and absorb odors easily.
Ice cubes stick together or 'shrink'.	<ul style="list-style-type: none"> • Empty ice cube bucket more frequently. If used infrequently, ice cubes may stick together or shrink.
Ice forms in inlet tube to ice maker.	<ul style="list-style-type: none"> • Check water pressure. Low water pressure will cause valve to leak.

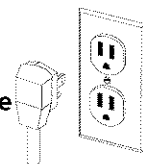
Requerimientos eléctricos

⚠ Reconozca este símbolo como precaución de seguridad.

⚠ ADVERTENCIA

No corte ni elimine, bajo ninguna circunstancia, la punta redonda de conexión a tierra del enchufe. El refrigerador debe estar conectado a tierra en todo momento. No quite el rótulo de advertencia del cordón eléctrico.

No utilice un adaptador de dos puntas. No utilice un cable de extensión.



Instrucciones para conexión a tierra — Este refrigerador está equipado con un enchufe de tres puntas (para conexión a tierra) para proveer protección contra posibles riesgos de descargas eléctricas. Si tiene un tomacorriente de dos orificios, comuníquese con un electricista calificado para que reemplace este tomacorriente de pared de dos orificios por otro de tres orificios correctamente conectado a tierra, en conformidad con el Código Eléctrico Nacional.

Este refrigerador ha sido diseñado para que funcione con una línea separada de 103 a 126 voltios, 15 amperios y 60 ciclos.

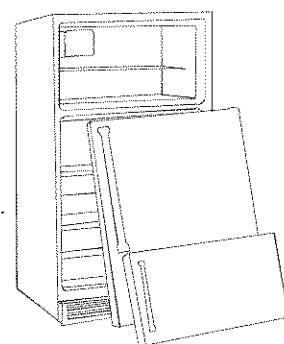
⚠ PELIGRO

Forma apropiada de desechar su refrigerador

IMPORTANTE: Los niños atrapados y asfixiados en refrigeradores no es cosa del pasado. Los refrigeradores que se arrumban o abandonan, aun cuando sea por “solo unos cuantos días”, continúan siendo un peligro. Si desecha un refrigerador viejo, sírvase seguir las siguientes instrucciones para ayudar a prevenir un accidente.

ANTES DE TIRAR SU REFRIGERADOR O CONGELADOR VIEJO:

- **Quítele las puertas.**
- **Déjele las repisas puestas para que los niños no puedan meterse fácilmente.**



Garantía

Garantía completa de un año en el refrigerador

Por un año a partir de la fecha de compra, cuando a este refrigerador se le da el funcionamiento y el mantenimiento indicados en las instrucciones adjuntas o proporcionadas con él, Sears reparará este refrigerador, sin cargo alguno, por defectos de fabricación y materiales.

Garantía completa de cinco años en el sistema de refrigeración sellado

Por cinco años a partir de la fecha de compra, cuando a este refrigerador se le da el funcionamiento y el mantenimiento indicados en las instrucciones adjuntas o proporcionadas con él, Sears reparará el sistema sellado (que consiste del refrigerador, tubería de conexión y motor del compresor) sin cargo alguno, por defectos de fabricación y materiales.

La cobertura de garantía anterior se aplica sólo a los refrigeradores que se usan para almacenar alimentos en hogares particulares. Excluye el cartucho original y el de reemplazo del filtro de agua y hielo Kenmore. El cartucho original y el de reemplazo están garantizados por 30 días (piezas solamente).

El servicio de garantía está a su disposición comunicándose al 1-800-4-MY-HOME (469-4663).

Esta garantía se aplica solamente mientras este producto se use en los Estados Unidos.

Esta garantía otorga derechos legales específicos y usted puede tener también otros derechos, los cuales pueden variar en distintos estados.

Sears, Roebuck y Co., Depto. 817WA, Hoffman Estates, IL 60179 EE.U.U.

Lea y conserve estas instrucciones

Registre el número de modelo y de serie en el espacio que se proporciona más adelante 31; estos números se encuentran localizados en la placa de serie en la pared superior izquierda del compartimiento del refrigerador.

Número de modelo: 596. _____

Número de serie: _____

Fecha de compra: _____

Contenido

Requerimientos eléctricos	13
Forma apropiada de desechar su refrigerador	13
Garantía	13
Lea y conserve estas instrucciones	13
Lista de verificación de la instalación	14
Instrucciones de instalación	14
Para nivelar el refrigerador	14
Inversión de la puerta	15
Inversión de la posición de la puerta	16
Instalación del cartucho de filtración de agua	16
Instalación del cartucho de filtración de aire	16
Conexión para la línea de suministro de agua de la máquina de hielos	16
Controles	18
Controles de alimentos frescos y del congelador	18
Ajuste de los controles	18
Características de la sección de alimentos frescos	18
Repisas que contienen los derrames menores	18
Cajón ajustable	18
Cajones	19
Recipiente cubierto para almacenamiento	19
Centros para productos lácteos	19
Compartimientos de la puerta	20
Repisa de la puerta	20
Separadores ajustables	20
Dispositivo de retención para paquetes altos	20
Características del congelador	20
Sistema sin escarcha(Frost-Free)	20
Máquina de hielo automática	20
Repisa deslizable	21
Separador vertical de repisa	21
Gaveta inclinable	21
Cuidado y limpieza	21
Generalidades	21
Eliminación de olores	21
Adhesivos	22
Empaques de la puerta	22
Serpentines del condensador	22
Repisas de vidrio	22
Focos	22
Sugerencias para conservar energía	23
Sugerencias para las vacaciones	23
Ruidos del funcionamiento normal	23
Antes de llamar para solicitar servicio	24

Lista de verificación de la instalación

Compruebe que se haya llevado a cabo lo siguiente para asegurar el funcionamiento correcto del refrigerador.

Puertas

- Las puertas están firmemente unidas
- Las puertas se sellan completamente al gabinete del refrigerador.
- Las puertas están escuadradas.

Nivelación

- El refrigerador está inclinado ¼ pulg. (6 mm) hacia atrás.
- Asegúrese que las puertas estén niveladas en la parte superior.
- Asegúrese que el refrigerador esté nivelado de lado a lado y del frente hacia atrás.

Máquina de hielo

- La línea de suministro de agua al refrigerador está conectada y abierta.

- No hay goteras en la conexión entre la línea de suministro de la casa y el refrigerador. (24 horas más tarde el consumidor debe revisar la conexión para ver si hay goteras.)
- El brazo de la máquina de hielo está en la posición para producir hielo. (La producción inicial de hielo puede tardar hasta 24 horas.)

Electricidad

- Se necesita un tomacorriente de pared apropiada-mente conectado a tierra con clavija de tres puntas para conectar el refrigerador.

Filtros de agua

- Se quitó el cartucho de derivación en él que se envía y se instaló el filtro de agua. (Vea la instalación del filtro de agua y las instrucciones de funcionamiento enviados con el filtro de agua.)
- Compruebe que no haya goteras alrededor de la cabeza del filtro.
- Si se instala el filtro de agua, la presión del agua al refrigerador debe ser por lo menos de 35 psi.
- Conserve el cartucho de derivación para usarlo en caso de que el cartucho del filtro de agua se tape antes de comprar uno de reemplazo.

Filtro de aire

- Los montajes del filtro de aire están instalados sobre cada retorno de aire en la sección de alimentos frescos. Este montaje se envía con el cartucho del filtro que ya viene en su lugar.

Instrucciones de instalación

La instalación correcta del refrigerador asegurará el funcionamiento más eficiente.



PRECAUCIÓN

Cuando mueva el refrigerador, proteja los pisos vinílicos delicados o de otra clase con cartones, tapetes u otros materiales de protección para evitar daños a la propiedad.

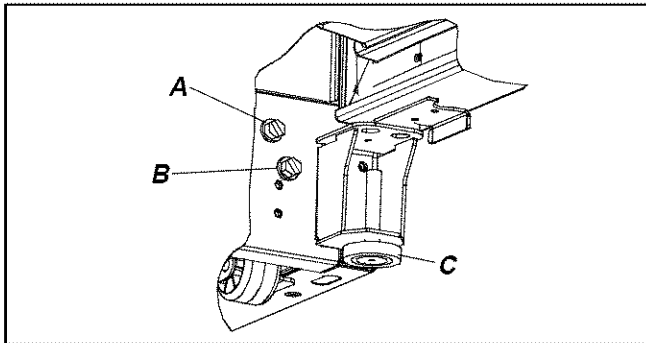
Para nivelar el refrigerador

Algunas instalaciones pueden requerir que las puertas se tengan que invertir para que puedan abrirse completamente. Si es así, continúe con la sección *Para invertir las puertas* antes de nivelar el refrigerador.

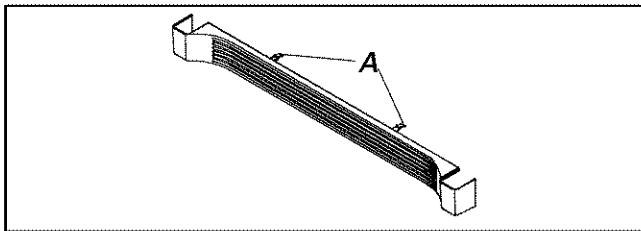
Si su refrigerador requiere que se conecte la máquina de hielo, continúe con la sección *Conexión para la línea de suministro de agua para la máquina de hielo* en la página 30 antes de nivelar el refrigerador.

1. Enchufe el cordón eléctrico.
2. Mueva el refrigerador a la ubicación final.
3. Nivele el refrigerador con un nivelador colocado encima del refrigerador y realizando los pasos siguientes:
 - Retire la rejilla inferior sujetando ambos extremos y tirando de ella directamente hacia afuera de la unidad. La rejilla se destraba.

- Las esquinas izquierda y derecha del frente de la base del gabinete tiene tornillos para permitir el ajuste individual de las cuatro esquinas. Ajuste la parte delantera y posterior de cada esquina hasta que termine de nivelarse.
- Gire el tornillo de ajuste **(A and B)** del rodillo a la derecha para elevar el gabinete, o a la izquierda para bajarlo. El frente del refrigerador debe estar $\frac{1}{4}$ " (6 mm), o $\frac{1}{2}$ burbuja del nivelador más alto que la parte posterior del refrigerador.
- Después de nivelarlo, gire la pata estabilizadora **(C-en algunos modelos)** a la derecha hasta que descansa firmemente sobre el piso.



- Ubique las abrazaderas de metal **(A)** que están montadas adentro del ensamble de la rejilla inferior. Enganche el juego inferior de abrazaderas adentro de la moldura de metal debajo del congelador. Oprima hacia adelante la parte superior de la rejilla hasta que la porción superior se trabe en su lugar.



PRECAUCIÓN

Para evitar lesiones personales o daños a la propiedad, las roscas estabilizadoras deben estar colocadas firmemente sobre el piso.

Inversión de la puerta

En algunos casos se necesita quitar la puerta para mover o desechar la unidad.

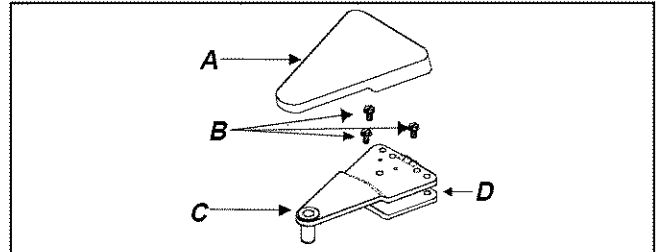
Tools Required

Llave para tuercas hexagonales de $\frac{5}{16}$ "
Llave para tuercas hexagonales de $\frac{9}{32}$ "

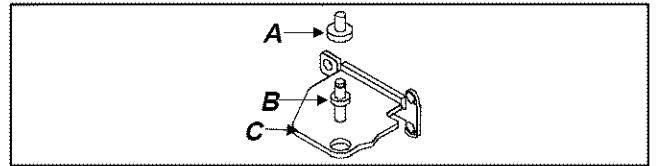
IMPORTANTE:

Guarde todos los tornillos para volver a usarlos. Cuando se necesite usar una espátula o un desarmador plano para quitar los tapones, **la hoja debe estar cubierta con cinta adhesiva para evitar dañar el acabado del refrigerador.** Para los tapones en los que se use un desarmador o una cabeza tipo desarmador de tuercas, use la herramienta apropiada para evitar dañar los tapones.

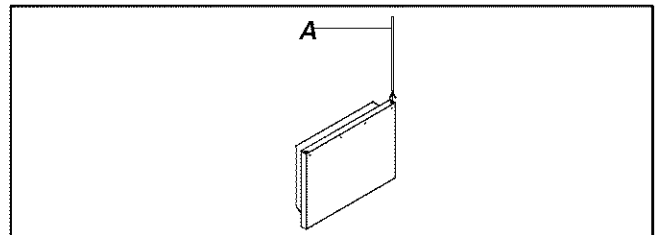
1. Quite los compartimientos de las puertas(en algunos modelos).
2. Quite la cubierta de la bisagra superior.
 - La cubierta de la bisagra superior **(A)** se desprende. Quite la bisagra superior **(C)** y la cuña de la bisagra **(D)** con un desarmador hexagonal de tuercas de $\frac{5}{16}$ " **(B)**. Quite y conserve todas las cuñas.



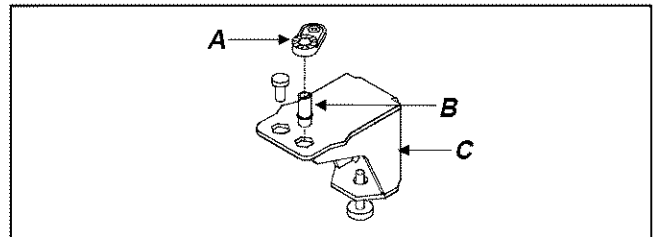
3. Quite la puerta del refrigerador levantándola para separarla del pasador de la bisagra central **(C)**. Quite y conserve la articulación de la puerta **(A)** de la parte superior del pasador de la bisagra central **(B)**.



4. Quite el pasador de la bisagra central con un desarmador hexagonal de tuercas. Como el pasador debe quedar bien ajustado, necesita presionarlo firmemente. Qítelo y conserve todas las cuñas.
5. Quite la puerta del congelador levantándola y separándola de la bisagra inferior. Es posible que se desprenda una varilla interna de soporte **(A)** de la cavidad de la bisagra. Antes de colocar la puerta vuelva a introducir esta varilla en su lugar.



- Revise la bisagra inferior **(C)** para verificar que todas las cuñas de ajuste estén con el perno de la bisagra inferior **(B)**. Conserve el cierre de la puerta **(A)** que se encuentra en la parte superior del perno de la bisagra.



6. Vuelva a colgar las puertas siguiendo los pasos 1–5 en orden inverso.

Inversión de la posición de la puerta

Si desea invertir la posición de las puertas de la unidad llame al teléfono 1-800-843-0304, opción 4, para programar una visita de servicio. Esta visita será gratuita si la cita se programa durante un lapso de tres meses a partir de la fecha de compra.

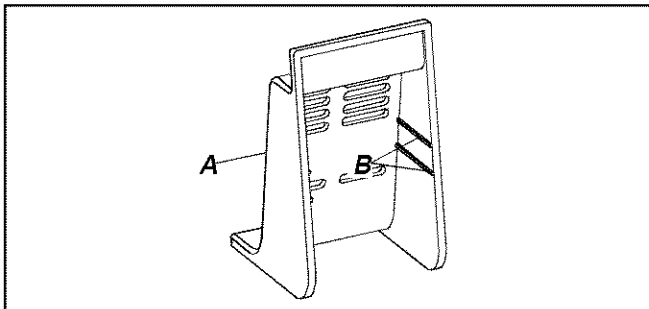
Instalación del cartucho de filtración de agua

1. Quite el cartucho de derivación antes de conectar el suministro de agua a la unidad. Quite el cartucho de derivación de la parte superior del filtro de agua que se encuentra en la esquina posterior derecha de la sección del refrigerador. Haga girar el cartucho $\frac{1}{4}$ de vuelta hacia la izquierda y hálelo hacia abajo para quitarlo. Guarde el cartucho de derivación para usarlo posteriormente.
2. Para instalar y operar el filtro, consulte las *Instrucciones de instalación y operación del sistema de filtración de agua* que se proporcionan con el cartucho de filtración de agua.

Instalación del cartucho de filtración de aire

Debe cambiar este cartucho cada tres meses. Los olores fuertes de los alimentos (como cebollas destapadas, ajos, etc.) acortarán la vida útil del cartucho.

1. Localice el conjunto de filtración de aire en el retorno de aire del gabinete del refrigerador. El portafiltro (A) se encuentra adherido en el gabinete por medio de velcro. Desprenda el portafiltro de la pared del gabinete.
2. Localice el filtro contra olores que está dentro del portafiltro. El filtro se desliza hacia afuera.
3. Introduzca el nuevo cartucho deslizándolo en las ranuras (B).



Conexión para línea de suministro de agua de la máquina de hielos

PRECAUCIÓN

Para evitar daños materiales, proteja el piso vinílico suave o de otro tipo con cartones alfombras u otros materiales protectores cuando mueva el refrigerador. Asegúrese de que la pata estabilizadora está levantada antes de mover el refrigerador, levántela girándola en dirección contraria a las manecillas del reloj.

PRECAUCIÓN

Acate los puntos siguientes para evitar daños materiales:

- Quite el cartucho de derivación antes de conectar el suministro de agua a la unidad.
- Compruebe que la presión del agua en la válvula de agua esté entre 20 y 120 libras por pulgada cuadrada.
- Apriete la conexión y las tuercas del adaptador con unas pinzas y con una llave de tuercas. No lo apriete de más.
- Revise si hay goteras de agua y arrégelas si es necesario antes de volver a colocar el refrigerador en su lugar. Después de 24 horas revise nuevamente si hay goteras.

Importante

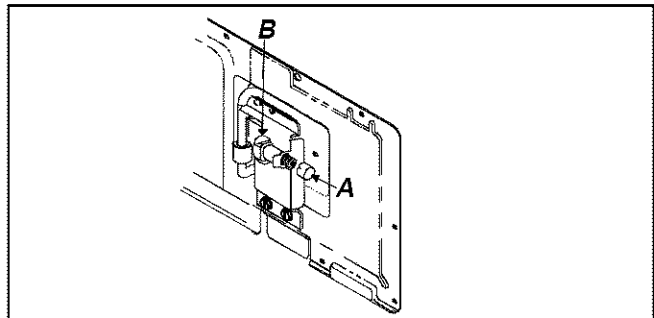
- Antes de conectar el suministro de agua, comuníquese con un plomero para que conecte la tubería de cobre a la plomería de la casa en conformidad con los códigos y reglamentos locales.
- Sears no recomienda el uso de válvulas de tipo de penetración o de sillín de $\frac{3}{16}$ " (9 mm). Ambas reducen el flujo del agua, con el tiempo se obstruyen y además pueden causar goteras si trata de repararlas. El tipo correcto de válvula de cierre requiere que se haga un orificio de $\frac{1}{4}$ " (6 mm) en la tubería del suministro de agua antes de conectar la válvula. Sears no es responsable por daños materiales causados por una conexión de agua inapropiada.

Materiales necesarios

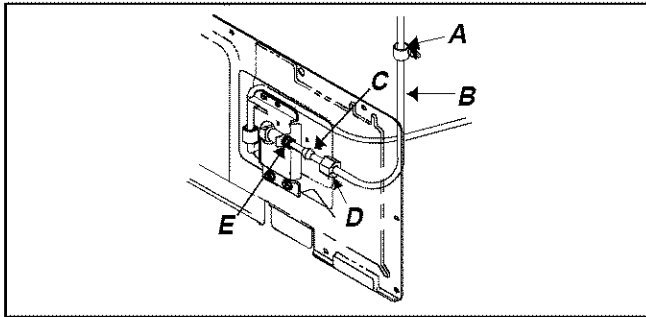
Se requiere tubería de cobre flexible de $\frac{1}{4}$ " (6 mm). La longitud de la tubería de cobre debe alcanzar desde la conexión del suministro de agua hasta la lumbrera de entrada de la válvula de agua en la parte trasera del refrigerador, además se necesitan 8 pies (2 m) adicionales de tubería para un lazo de servicio. El lazo de servicio permitirá que el refrigerador se pueda separar de la pared sin desconectar la tubería.

Procedimiento

1. Quite la tapa de plástico (A) de la lumbrera de entrada de la válvula de agua (B).



2. Coloque la tuerca y la manga de bronce(**C**) en la tubería de cobre(**B**). (La tuerca y la manga de bronce se encuentran en el paquete de información.) Introduzca la tubería de cobre en la lumbrera de entrada de la válvula de agua(**E**). Conecte la tuerca de bronce(**D**) en la tubería de cobre en la lumbrera de entrada de la válvula de agua. Compruebe que la tubería de cobre esté bien segura tirando de ella ligeramente.
3. Abra el suministro de agua que va al refrigerador y revise posibles goteras. Repare las goteras cuando lo conecte. Tenga cuidado de no apretar demasiado la conexión.
4. Haga un lazo de servicio con extremado cuidado para evitar dobleces. Asegure la tubería de cobre al gabinete del refrigerador con una abrazadera "P"(**A**).

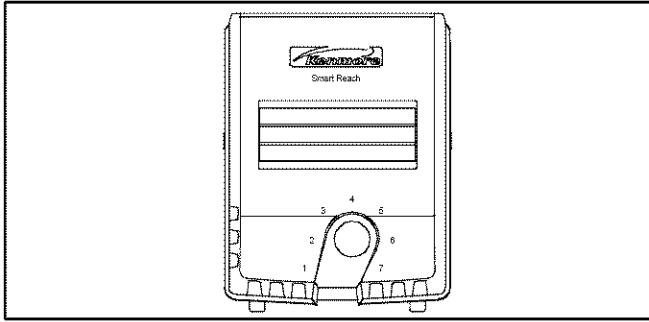


Controles

Este refrigerador funciona con mayor eficacia a temperaturas normales de casa, entre 55º y 110ºF (13º y 43ºC).

Controles de alimentos frescos y del congelador

El control de alimentos frescos está ubicado en la parte superior de la pared trasera de la sección de alimentos frescos.



El control del congelador está ubicado en el techo delantero del lado derecho de la sección congelador.

Cuando el control del congelador está en la posición *OFF*, ni la sección de alimentos frescos ni la congelador enfriarán. Inicialmente fije ambos controles en 4. Espere 24 horas hasta que las secciones de alimentos frescos y congelador alcancen las temperaturas deseadas. Después de 24 horas, ajuste los controles, un solo número a la vez, según se desee. El 1 es el menos frío y el 7 el más frío.

Ajuste de los controles

Ajuste con precisión los controles utilizando un termómetro común que abarque temperaturas entre -5º y 50ºF (-21º y 10ºC).

Coloque cómodamente el termómetro entre paquetes congelados en la sección congelador y espere de 5 a 8 horas. Si la temperatura de la sección congelador no se encuentra entre 0º y 2ºF (-17º y -16ºC), ajuste el control, un solo número a la vez. Compruebe nuevamente después de 5 a 8 horas.

Coloque el termómetro en un vaso de agua en medio de la sección de alimentos frescos y espere de 5 a 8 horas. Si la temperatura de la sección de alimentos frescos no se encuentra entre 38º y 40ºF (3º y 4ºC), ajuste el control, un solo número a la vez. Compruebe nuevamente después de 5 a 8 horas.

Características de la sección de alimentos frescos

CUIDADO

Para evitar daños a la propiedad, verifique que la repisa esté bien instalada antes de colocar artículos en la misma.

Repisas que contienen los derrames menores

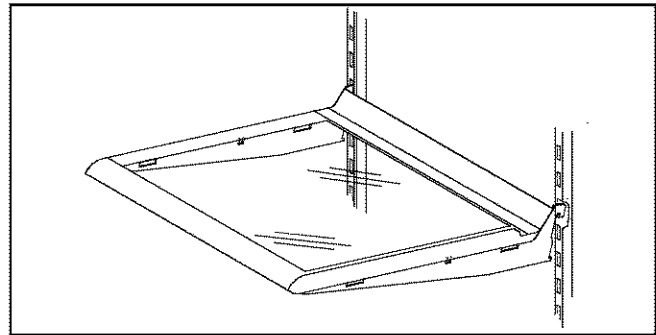
Las repisas que contienen los derrames menores se ajustan para satisfacer las necesidades individuales de

almacenamiento y contener los derrames menores para facilitar la limpieza.

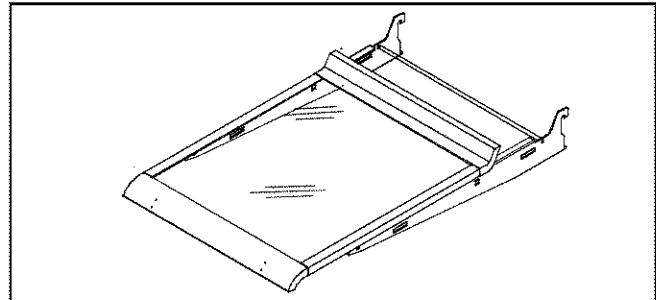
CUIDADO

Maneje con cuidado las repisas de vidrio templado para evitar lesiones personales o daños a la propiedad. Las repisas se pueden romper fácilmente si sufren raspaduras, golpes o se exponen a cambios repentinos de temperatura.

- Quite las repisas levantando desde el frente y soltando los ganchos de la guía de metal.
- Vuelva a colocar las repisas insertando los ganchos en la guía de metal y bajando el frente.



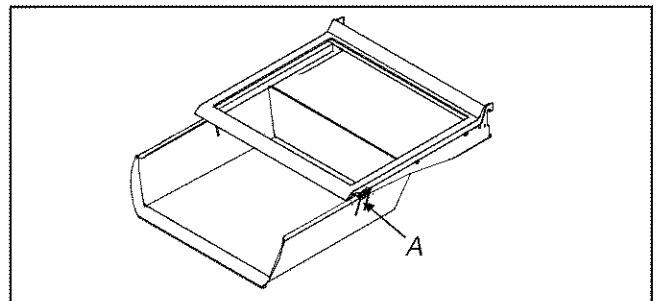
Las repisas EasyGlide™ se pueden jalar hacia adelante para sacar más fácilmente los artículos que están atrás.



Cajón ajustable

El cajón ajustable, ubicado debajo de la repisa que contienen los derrames menores, proporciona almacenaje que ahorra espacio y se puede jalar hacia adelante para un fácil acceso.

- Quite la repisa jalando hacia adelante hasta que se detenga la misma. Oprima las lengüetas (**A**) laterales y jale la repisa hacia adelante.
- Vuelva a colocar la repisa insertándola en la guía de metal y deslizándola hacia atrás.



Cajones

Cajón para alimentos frescos de humedad controlada

El cajón de la derecha es el de humedad controlada. Este cajón conserva frescas las frutas y legumbres por más tiempo. Envuelva bien los productos. No los lave antes de colocarlos en los cajones para alimentos frescos. El exceso de humedad podría causar que los productos se pudran prematuramente. No forre los cajones para alimentos frescos con toallas de papel. Las toallas de papel retienen la humedad.

El control de humedad está ubicado debajo del adorno de la repisa delantera. El control ajusta la temperatura en el cajón. Gire el control hacia la derecha para productos que tengan hojas, como la lechuga, espinacas o repollo. Gire el control a la izquierda para productos que tengan cáscara, como la coliflor, los elotes o los jitomates.

Cajón de temperatura controlada

El cajón de la izquierda es el de temperatura controlada. Este cajón conserva frescos los alimentos por más tiempo y hasta 5°F (3°C) más fríos que la temperatura de alimentos frescos. Utilice este cajón para almacenar los productos deli o frutas y legumbres adicionales.

El control de temperatura está ubicado debajo del adorno de la repisa delantera. El control ajusta la cantidad de aire que circula alrededor del cajón. Gire el control hacia la izquierda para la temperatura normal de la sección de alimentos frescos y hacia la derecha para la temperatura más fría. Es posible que se formen cristales de hielo en el cajón o en los alimentos en la posición de frío máximo. El aire frío puede disminuir la temperatura de la sección de alimentos frescos. Tal vez sea necesario ajustar el control de alimentos frescos. Quite las repisas y cajones realizando los siguientes pasos:

1. Abra el cajón izquierdo*. *Para las puertas con las bisagras en el lado izquierdo, abra el cajón derecho.



CUIDADO

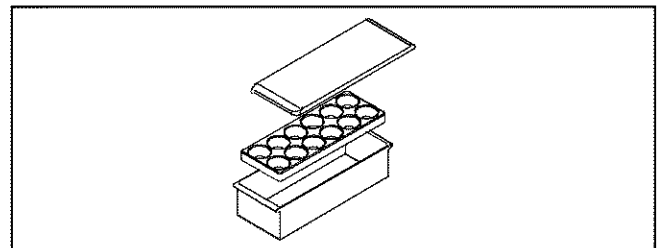
Maneje con cuidado las repisas de vidrio templado para evitar lesiones personales o daños a la propiedad. Las repisas se pueden romper súbitamente si sufren raspaduras, golpes o se exponen a cambios repentinos de temperatura.

2. Quite la repisa empujando suavemente hacia arriba desde abajo. Inclíne un extremo hacia arriba luego jálelo.
3. Quite el cajón izquierdo* levantando la parte delantera mientras lo sostiene por debajo y luego jálelo. *Para las puertas con las bisagras en el lado izquierdo, quite el cajón derecho.
4. Extraiga el poste de soporte del hueco en el centro de la parte inferior de la sección de alimentos frescos jalándolo.

5. Quite el otro cajón para alimentos frescos deslizándolo hacia la pared opuesta. Levante la parte delantera del cajón mientras lo sostiene por debajo y luego jálelo.
6. Vuelva a colocar los cajones y repisas repitiendo los pasos del 1 al 5 en orden inverso.

Recipiente cubierto para almacenamiento

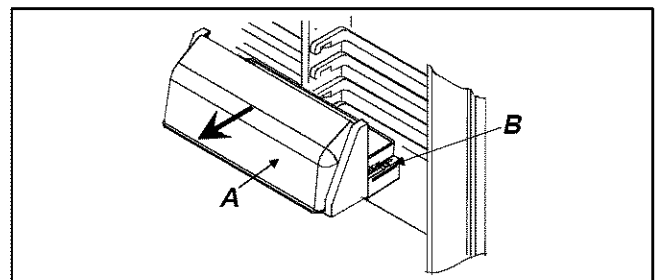
Este recipiente tiene una tapa y una bandeja desmontable para huevos. Cuando se saca la bandeja, se pueden acomodar artículos tales como cajas regulares de huevos, hielo, etc.



Centros para productos lácteos

Los centros para productos lácteos guardan mantequilla, quesos, etc. en un lugar fácil y conveniente.

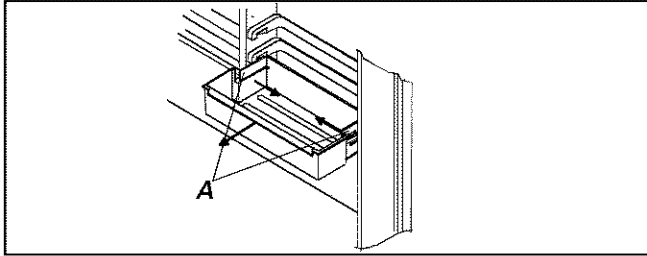
- Quite los centros para productos lácteos levantando la puerta **(A)**, empujando las lengüetas **(B)** hacia el centro y jalando hacia afuera.
- Vuelva a colocar los centros para productos lácteos deslizándolos hasta que las lengüetas **(B)** encajen en su sitio y luego baje la puerta.



Compartimientos de la puerta

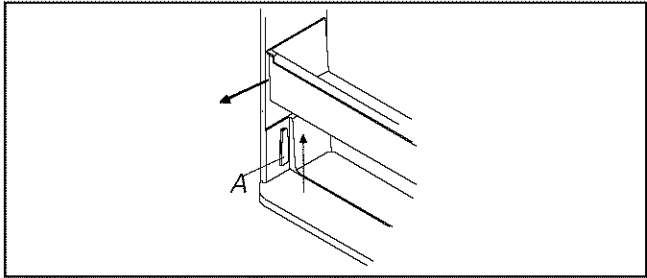
Los compartimientos de la puerta se ajustan para satisfacer las necesidades individuales de almacenamiento.

- Quite los compartimientos de la puerta empujando las pestañas **(A)** hacia el centro y jalando hacia afuera.
- Vuelva a poner los compartimientos de la puerta deslizándolos hasta que las pestañas encajen en su sitio.



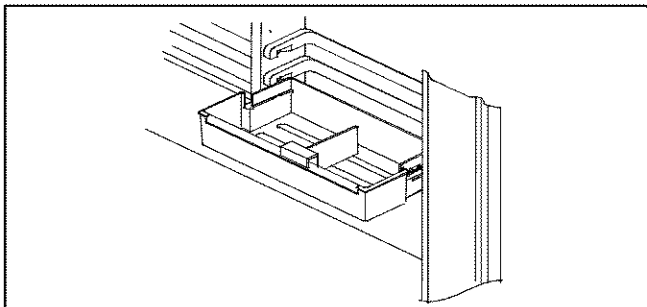
Repisa de la puerta

- Quite la repisa de la puerta levantándola de los extremos y jalando hacia afuera.
- Vuelva a colocar la repisa colocándola en las guías **(A)** y deslizándola hacia abajo.



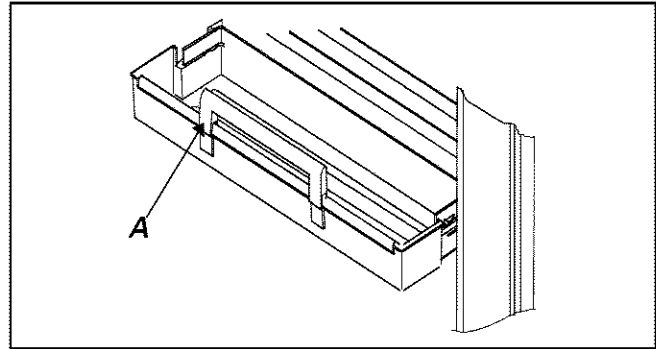
Separadores ajustables

Los separadores ajustables mantienen los artículos en su sitio y se ajustan para satisfacer las necesidades individuales de almacenamiento. Los separadores caben en cualquier compartimiento de la puerta de alimentos frescos o cualquier repisa de la puerta.



Dispositivo de retención para paquetes altos

El dispositivo de retención para paquetes altos **(A)** mantiene seguros los paquetes altos. El dispositivo cabe en cualquier compartimiento de la puerta de alimentos frescos o cualquier repisa de la puerta.



Características del congelador

CUIDADO

Para evitar daños a la propiedad, verifique que la repisa esté bien instalada antes de colocar artículos en la misma.

Sistema sin escarcha (Frost-Free)

Las secciones del refrigerador y del congelador se mantienen completamente sin escarcha. La descongelación es automática bajo condiciones normales. Nunca se tiene que descongelar la sección del refrigerador ni la del congelador.

Máquina de hielo automática

- Asegúrese de que el depósito de hielo se encuentre en su lugar y que la palanca de la máquina de hacer hielo **(B)** se encuentre en posición activada **(on-C)**.
- Después que la sección del congelador alcanza la temperatura normal, la máquina de hielo se llena de agua y comienza a funcionar. Espere de 24 a 48 horas después de instalarla para que los hielos estén listos. La máquina de hielo produce de 7 a 9 raciones de hielo durante 24 horas bajo condiciones ideales.
- Después de que se forma el hielo, la máquina deja caer los hielos adentro del recipiente de hielo. Mientras el hielo se está haciendo, el brazo de la máquina se levanta y se baja. Cuando el recipiente de hielo **(B)** se llena, el brazo de la máquina la desconecta **(A)**.

Nota: Deseche las tres primeras raciones de hielo para que no consumir ninguna impureza que quede en la línea de agua al instalarla.

- Si desea detener la producción automática de hielo levante el brazo de la máquina. Se escucha claramente un chasquido cuando se coloca en la posición adecuada. El brazo de la máquina se quedará en esta posición hasta que se empuje hacia abajo.

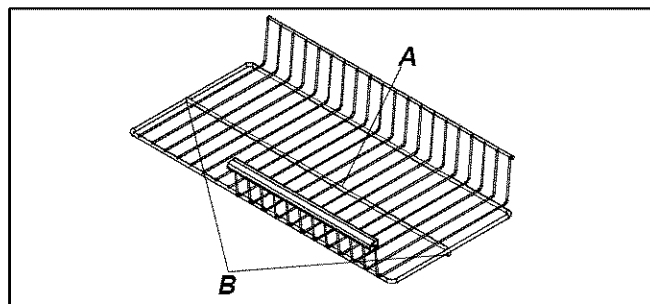
PRECAUCIÓN

Verifique que la repisa esté segura antes de colocar artículos en ella para evitar daños materiales.

Repisa deslizable

Las repisas deslizables se pueden jalar hacia el frente para tener un acceso fácil a los artículos colocados en la parte posterior.

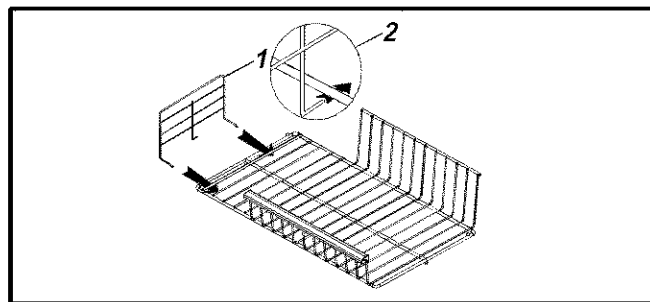
- Para quitar la repisa deslizable tire de ella hacia el frente hasta que la punta de bola (**B**) debajo del riel central (**A**) se acomode en el canal de la moldura. Sostenga la repisa por el riel central (**A**), jale hacia arriba y retírela.
- Deslícelo hacia adentro hasta que la punta de bola (**B**) caiga en el canal de la moldura.



Separador vertical de repisa

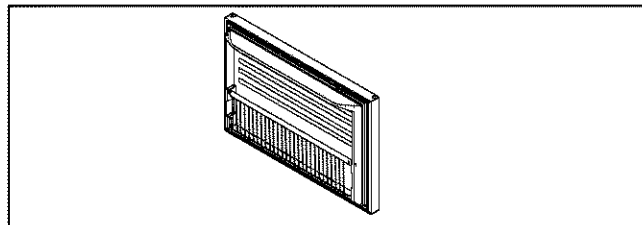
Instale el separador vertical de repisa siguiendo los pasos a continuación:

1. Deslice las puntas del separador de repisa debajo de la rejilla que se desee, ligeramente fuera de centro del riel central.
2. Oprima la parte superior del divisor y deslice el ensamble de gancho debajo del riel central.



Gaveta inclinable

La gaveta inclinable es una conveniente área de almacenamiento de alimentos congelados en la puerta del congelador, y se inclina hacia adelante para facilitar el acceso a estos artículos.



Cuidado y limpieza

ADVERTENCIA

Para evitar descargas eléctricas que pueden causar lesiones personales graves o la muerte, desconecte la energía del refrigerador antes de limpiarlo. Después de limpiarlo, conecte la energía.

CUIDADO

Lea y cumpla con las instrucciones del fabricante de los productos de limpieza para evitar lesiones personales o daños a la propiedad.

Generalidades

1. Use una esponja limpia o un paño suave y un detergente suave en agua tibia. No utilice limpiadores abrasivos ni ásperos.
2. Enjuague las superficies con agua tibia. Seque las superficies con un trapo suave y limpio.
3. No utilice toallas de papel, atomizadores para ventanas, limpiadores desgrasadores ni fluidos inflamables para limpiar piezas de plástico (cubiertas y paneles). Estos pueden rallar o dañar los materiales.
 - No lave las repisas, recipientes, etc. en un lavaplatos automático.
4. Encere las superficies metálicas pintadas cuando menos dos veces al año utilizando cera para electrodomésticos o automóviles líquida o en pasta (segura en recubrimientos transparentes) con un paño suave y limpio. No encere piezas de plástico.

Eliminación de olores

1. Saque todos los alimentos.
2. Lave todas las superficies interiores incluyendo el techo, el piso y las paredes, de acuerdo con las instrucciones de limpieza de la sección "Generalidades". Preste atención especial a las esquinas, hendiduras y ranuras. Incluya todos los accesorios, cajones, repisas y empaques.

- Lave y seque todas las botellas, frascos y recipientes antes de volver a meter los alimentos al refrigerador. Guarde todos los alimentos en recipientes sellados herméticamente para evitar malos olores adicionales. Después de 24 horas revise si se ha eliminado el olor.

Si no se ha eliminado el olor, siga los siguientes pasos.

- Complete los pasos del 1 al 2.
- Coloque los cajones para alimentos frescos en la repisa superior de la sección de alimentos frescos. Llene las secciones de alimentos frescos y congelador, incluyendo las puertas, con hojas estrujadas de periódico blanco y negro.
- Coloque pedazos de carbón en diferentes lugares del periódico.
- Cierre las puertas y deje reposar de 24 a 48 horas.
- Saque los pedazos de carbón y los periódicos.
- Complete los pasos del 2 al 3.

Si aún no se ha eliminado el olor, comuníquese con el Departamento de asuntos del consumidor.

Adhesivos

- Elimine el residuo de goma frotando un poco de pasta dental sobre el adhesivo hasta aflojarlo.
- Enjuague la superficie con agua tibia. Seque la superficie con un trapo limpio y suave.

Empaques de la puerta

- Limpie los empaques de la puerta cada tres meses de acuerdo con las instrucciones de limpieza de la sección «Generalidades».
- Aplique una capa delgada de vaselina para mantener la flexibilidad de los empaques.

Serpentines del condensador

Limpie el serpentín del condensador cada tres meses para asegurar un funcionamiento óptimo del refrigerador. La acumulación de polvo y pelusas puede causar lo siguiente:

- menor rendimiento de enfriamiento
 - aumento del consumo de energía
 - falla prematura de las piezas
- Quite la rejilla inferior sosteniéndola de los extremos y jalándola hacia adelante.
 - Limpie la superficie delantera del serpentín con la boquilla de manguera de una aspiradora.
 - Vuelva a colocar la rejilla inferior insertando y encajando las presillas en los agujeros del gabinete.

Repisas de vidrio

⚠ CUIDADO

Maneje con cuidado las repisas de vidrio templado para evitar lesiones personales o daños a la propiedad. Las repisas se pueden romper súbitamente si sufren raspaduras, golpes o se exponen a cambios repentinos de temperatura.

Saque la repisa bajando el frente de la misma y soltando los ganchos de los rieles metálicos, luego jale la repisa hacia adelante. Colóquela sobre una toalla y permita que la repisa se adapte a la temperatura ambiental durante una hora antes de limpiarla.

Limpie las hendiduras haciendo lo siguiente:

- Diluya un detergente suave y frótelo en las hendiduras usando un cepillo de plástico. Déjelo reposar durante cinco minutos.
- Rocíe agua tibia en las hendiduras usando un aditamento para rociar agua desde el grifo.
- Seque bien la repisa y vuelva a colocarla insertando los ganchos en los rieles metálicos y bajando la parte delantera.

Focos

⚠ ADVERTENCIA

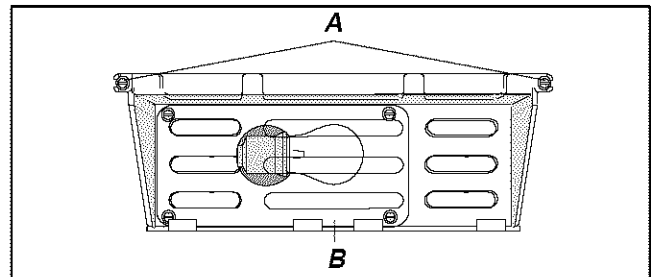
Para evitar descargas eléctricas que pueden causar lesiones personales graves o la muerte, desconecte la energía del refrigerador antes de reemplazar el foco. Después de reemplazar el foco, conecte la energía.

⚠ CUIDADO

Lleve a cabo lo siguiente para evitar lesiones personales o daños a la propiedad:

- Permita que se enfríe el foco.
- Use guantes para cambiar el foco.

- Para tener acceso a los focos, quite los dos tornillos hexagonales de ¼" de pulgada(A) externos de la parte trasera se saldrá la cubierta del foco(B). Reemplácelo con un foco para aparatos electrodomésticos de **60 vatios o menor**.
- Vuelva a poner la cubierta del foco(B) sosteniéndola contra el techo. Introduzca y apriete los tornillos hexagonales de ¼"(6mm) de pulgada(A).



Sugerencias para conservar energía

Este refrigerador ha sido diseñado para ser uno de los refrigeradores de mayor rendimiento de energía disponibles. Reduzca el consumo de energía llevando a cabo lo siguiente.

- Hágalo funcionar a temperaturas normales entre 55° y 110°F (13° y 43°C) alejado de las fuentes de calor y de la luz directa del sol.
- Fije los controles de alimentos frescos, congelador y del cajón a una temperatura no más fría de la necesaria.
- Mantenga llena la sección congelador.
- Mantenga los empaques de la puerta limpios y flexibles. Cambie los empaques si están gastados.
- Mantenga limpios los serpentines del congelador.

Sugerencias para las vacaciones

Siga los siguientes pasos en caso de tomarse vacaciones breves.

1. Saque los alimentos que se puedan echar a perder. **La garantía no cubre las pérdidas de alimentos.** Revise su certificado de garantía para ver si cubre algo en específico.
2. Si tiene instalada una máquina de hacer hielo, ponga el brazo de la máquina en posición desactivada.

Siga los siguientes pasos en caso de tomarse vacaciones largas.

1. Vacíe las secciones de alimentos frescos y congelador.
2. Desenchufe el refrigerador.
3. Limpie el interior del refrigerador y los empaques de las puertas de acuerdo con las instrucciones de limpieza de la sección "Generalidades" en la sección "Cuidado y limpieza".
4. Deje las puertas abiertas para que pueda circular el aire en el interior.
5. Si tiene instalada una máquina de hacer hielo, cierre el suministro de agua al refrigerador y ponga el brazo de la máquina en posición desactivada.

Sonidos normales de funcionamiento

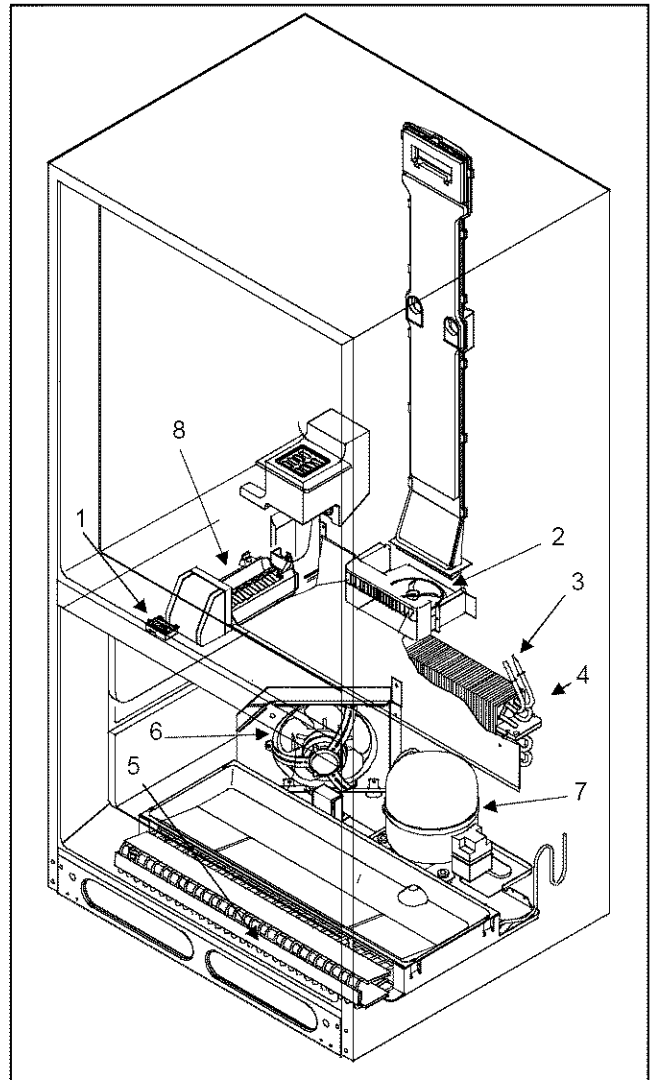
Es posible que este refrigerador nuevo esté reemplazando a uno de diferente diseño, menos eficiente o más pequeño. Los refrigeradores actuales tienen características nuevas y un mejor rendimiento de energía. Como resultado de esto, ciertos sonidos pueden parecer poco comunes. Estos sonidos son normales y pronto le serán familiares. Estos sonidos indican también que el refrigerador está funcionando y rindiendo según su diseño.

- **Control del congelador** El control del congelador hace un clic al arrancar o detenerse el compresor.
- **Ventilador del congelador** El aire del ventilador del congelador se acelera y zumba.
- **Sistema sellado** (evaporador e intercambiador de calor) El flujo del refrigerante del sistema sellado

gorgojea, revienta o suena como agua hirviendo.

- **Calentador de descarchado** El calentador de descarchado hace chirridos, silba o revienta.
- **Ventilador del condensador** El aire del ventilador del condensador se acelera y zumba.
- **Compresor** El compresor tiene un sonido de tarareo o pulsante.
- **Cubos de hielo** Los cubos de hielo de la máquina de hacer hielo caen al recipiente.
- **Conexión de la válvula de agua** de la máquina de hacer hielo. Esta conexión zumba cuando se llena con agua la máquina de hacer hielo. Esto ocurre ya sea que el refrigerador esté conectado o no al suministro de agua. Si no está conectado, anule el ruido colocando el brazo de la máquina de hacer hielo en la posición desactivada.

Nota: El aislamiento de espuma tiene muy buen rendimiento de energía y excelente capacidad aislante. Sin embargo, no absorbe el ruido como aislamiento de fibra de vidrio que se usaba anteriormente.



ESPAÑOL

Antes de llamar para solicitar servicio

Problema	Solución
El refrigerador no funciona.	<ul style="list-style-type: none"> • Compruebe que el control del congelador esté activado. • Compruebe que el refrigerador esté enchufado • Revise el fusible o cortacircuitos. Enchufe otro artefacto en ese tomacorriente de pared. • Espere 40 minutos para ver si vuelve a arrancar el refrigerador. Si el control del congelador está activado, funcionan las luces pero no funcionan los dos ventiladores ni el compresor, el refrigerador podría estar en el ciclo de descarchado.
Aún no funciona el refrigerador.	<ul style="list-style-type: none"> • Desenchufe el refrigerador. Cambie los alimentos a otra unidad o ponga hielo seco en la sección del congelador para conservar los alimentos. La garantía no cubre las pérdidas de alimentos. Revise su certificado de garantía para ver si cubre algo en específico. Llame para solicitar servicio.
La temperatura de los alimentos parece demasiado alta.	<ul style="list-style-type: none"> • Vea las secciones anteriores. • Deje que transcurra suficiente tiempo para que los alimentos calientes que se acaban de añadir alcancen la temperatura de alimentos frescos o del congelador. • Revise los empaques de la puerta para ver si sellan correctamente. • Limpie los serpentines del condensador. • Ajuste el control de alimentos frescos y/o del congelador.
La temperatura del cajón de temperatura controlada es demasiado alta.	<ul style="list-style-type: none"> • Fije el control en un ajuste más frío. • Ajuste el control del congelador a una posición de menor temperatura. • La temperatura de los alimentos es demasiado fría. • Limpie los serpentines del condensador. • Ajuste el control de alimentos frescos. • Ajuste el control del congelador a una posición de mayor temperatura. Deje que transcurran varias horas para que se ajuste la temperatura.
El refrigerador funciona con demasiada frecuencia.	<ul style="list-style-type: none"> • Podría ser normal para mantener una temperatura constante. • Podría ser que se hayan abierto las puertas con frecuencia o durante un período de tiempo prolongado. • Deje que transcurra suficiente tiempo para que los alimentos calientes que se acaban de añadir alcancen la temperatura de alimentos frescos o del congelador. • Limpie los serpentines del condensador. • Ajuste el control del congelador. • Revise los empaques de la puerta para ver si sellan correctamente.
El refrigerador o la máquina de hacer hielo hacen ruidos poco comunes o que parecen demasiado altos.	<ul style="list-style-type: none"> • Podría ser normal. Consulte la sección de "Ruidos del funcionamiento normal". • La máquina de hacer hielo no produce hielo. • Compruebe que el brazo de la máquina de hacer hielo esté hacia abajo. Compruebe que el suministro de agua de la casa llegue a la válvula del agua. • Compruebe que el cable preformado de la máquina de hacer hielo esté completamente insertado en los agujeros correctos. • Revise si hay torceduras en la tubería de cobre o de plástico. Elimine las retorceduras o cambie el tubo. • Revise las conexiones eléctricas al serpentín de la válvula de agua y al bloque conector en el gabinete del refrigerador. • Compruebe que la sección del congelador esté funcionando a la temperatura correcta.
Los cubos de hielo tienen mal olor.	<ul style="list-style-type: none"> • Consulte las instrucciones para la "Eliminación de olores" en la sección de "Cuidado y limpieza". • Deseche el hielo y lave el recipiente o las bandejas para hielo con más frecuencia. Los cubos de hielo son porosos y absorben olores con facilidad.
Los cubos de hielo se pegan o se «encogen».	<ul style="list-style-type: none"> • Vacíe el recipiente o las bandejas para hielo con más frecuencia. Si se usan con poca frecuencia, los cubos pueden pegarse o encogerse. • Se forma hielo en el tubo de entrada a la máquina de hacer hielo. • Revise la presión de agua. La baja presión de agua causará fugas en la válvula. Las válvulas auto perforadas causan una baja presión de agua.

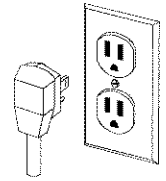
 Ce symbole signale une mesure de sécurité.

Normes électriques

DANGER:

Ne jamais, en aucune circonstance, couper ou enlever la broche ronde de mise à la terre de la fiche. Le réfrigérateur doit être relié à la terre en tout temps. Ne pas enlever l'étiquette de mise en garde du cordon d'alimentation.

Ne pas utiliser d'adaptateur à deux broches. Ne pas utiliser de rallonge.



Ce réfrigérateur est muni d'une fiche à 3 broches pour prévenir les risques d'électrocution. Si la prise de courant disponible convient uniquement à une fiche à 2 broches, contacter un électricien qualifié et la faire remplacer par une prise de courant à 3 orifices correctement reliée à la terre, conformément au Code national de l'électricité.

Le réfrigérateur est conçu pour fonctionner sur une ligne séparée de 60 Hz, 15 A, de 103 à 126 V.

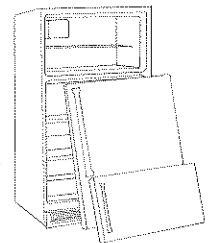
DANGER

Mise au rebut du réfrigérateur

IMPORTANT: Les enfants qui se trouvent enfermés dans un réfrigérateur et y meurent d'asphyxie ne sont pas un problème du passé. Les réfrigérateurs mis au rebut ou abandonnés sont encore dangereux, même s'ils ne sont là que "pour quelques jours". Lors de la mise au rebut d'un réfrigérateur, veiller à suivre les indications ci-dessous pour éviter les accidents.

AVANT DE JETER VOTRE VIEUX RÉFRIGÉRATEUR OU CONGÉLATEUR :

- Enlever les portes.
- Laisser les étagères en place de façon à ce que les enfants aient des difficultés à se glisser à l'intérieur.



Garantie

Garantie totale d'un an du réfrigérateur

Pendant un an à partir de la date d'achat et si ce réfrigérateur est utilisé et entretenu tel qu'indiqué dans les instructions attachées à l'appareil ou fournies avec lui, Sears réparera gratuitement ce réfrigérateur s'il présente des défauts de matériel ou de main-d'oeuvre.

Garantie totale de cinq ans sur le système de réfrigération scellé

Pendant cinq ans à partir de la date d'achat et si ce réfrigérateur est utilisé et entretenu tel qu'indiqué dans les instructions attachées à l'appareil ou fournies avec lui, Sears réparera gratuitement le système de réfrigération scellé de ce réfrigérateur, des conduites et du moteur du compresseur) s'il présente des défauts de matériel ou de main-d'oeuvre.

La couverture relative à la garantie s'applique uniquement aux réfrigérateurs utilisés à des fins non commerciales dans une résidence privée. Exclut les cartouches originales et de rechange pour filtre à glace et à eau Kenmore (si l'appareil est doté d'un système de filtre). Les cartouches originales et de rechange sont garanties pendant 30 jours (pièces seulement).

Cette garantie s'applique uniquement aux réfrigérateurs utilisés à des fins ménagères.

Pour obtenir des prestations de garantie, contacter 1-800-4-MY-HOME (469-4663).

Cette garantie est valable uniquement pendant que cet appareil est utilisé aux États-Unis.

Cette garantie vous donne des droits spécifiques et vous pouvez jouir d'autres droits qui varient d'une province à l'autre.

Sears, Roebuck and Co., Dept 817WA, Hoffman Estates, IL 60179 É.-U.

Lire et conserver ces instructions

Indiquer ci-dessous dans l'espace prévu à cet effet les numéros de modèle et de série qui se trouvent sur la plaque signalétique située sur la paroi gauche supérieure du compartiment réfrigérateur.

Numéro de modèle : 596. _____

Numéro de sériel: _____

Date d'achat : _____

Table des matières

Normes électriques	25
Mise au rebut du réfrigérateur	25
Lire et conserver ces instructions	25
Liste de contrôle d'installation	26
Instructions d'installation	26
Mise à niveau du réfrigérateur	26
Inversion des portes	27
Inversion de la porte	28
Installation de la cartouche de filtration de l'eau	28
Installation de la cartouche de filtration de l'air	28
Raccordement de l'appareil à glaçons à l'alimentation en eau (sur certains modèles)	28
Commandes	29
Commandes congélateur et Aliments frais	29
Réglage des commandes	29
Caractéristiques Aliments frais	30
Clayettes retiennent	30
Tiroir réglable	30
Tiroirs	30
Compartiment de rangement couvert	31
Casier laitier	31
Compartiments de porte	31
Clayette de porte	31
Diviseurs ajustables	31
Conteneur de grands emballages	32
Caractéristiques congélateur	32
Système auto-dégivrant	32
Appareil à glace	32
Tablette coulissante	32
Séparateur de tablette vertical	32
Bac à bascule	32
Entretien et nettoyage	33
Indications général	33
Suppression des odeurs	33
Adhésifs	33
Joints de porte	33
Bobines de condensateur	33
Clayettes en verre	33
Ampoules électriques	34
Conseils pour les vacances	34
Conseils pour économiser l'énergie	34
Bruits de fonctionnement normaux	35
Avant d'appeler le technicien	36

Liste de vérification de la mise en service

Assurer le bon fonctionnement du réfrigérateur comme suit:

Portes

- Dans certains cas, il pourra s'avérer nécessaire de retirer la porte pour déplacer l'appareil ou s'en débarrasser.
- Le côté poignée de la porte est $\frac{1}{8}$ po (3 mm) plus haut que le côté charnières de la porte (voir les indications).
- Les portes ferment parfaitement l'armoire du réfrigérateur.

Mise à niveau

- Le réfrigérateur est $\frac{1}{4}$ po (6 mm) plus haut à l'avant qu'à l'arrière et de niveau d'un côté à l'autre.

Appareil à glaçons

- L'alimentation en eau du réfrigérateur est raccordée à celui-ci et ouverte.
- Il n'y a pas de fuites au niveau du raccord entre l'alimentation en eau et le réfrigérateur. (Revérifier qu'il n'y a pas de fuites au bout de 24 heures.)
- Le bras-levier de l'appareil à glace est en position de fabrication de glaçons. (La fabrication du premier lot de glace peut prendre jusqu'à 24 heures.)

Alimentation électrique

- Une prise murale à trois trous correctement reliée à la terre est utilisée pour le branchement du réfrigérateur.

Filtre à eau

- La cartouche de déviation qui vient avec le réfrigérateur a été retirée et le filtre à eau est installé (voir l'installation du filtre à eau et les renseignements sur le fonctionnement qui accompagnent le filtre à eau).
- Vérifier qu'il n'y a pas de fuites autour de la tête du filtre à eau.
- Si le filtre à eau est installé, la pression d'eau vers le réfrigérateur doit être d'au moins 35 lb/po².
- Conserver la cartouche de déviation et l'utiliser si la cartouche du filtre à eau devient obstruée avant d'acheter un filtre de rechange.

Filtre à air

- Les filtres à air se trouvent au-dessus de chaque conduit de retour d'air dans le compartiment réfrigérateur. La cartouche de ce filtre à air a déjà été mise en place à l'usine.

Instructions d'installation

Une installation adéquate assurera le fonctionnement efficace de ce réfrigérateur. Amana ne peut être tenu responsable en cas d'installation inadéquate.



ATTENTION

Pour éviter tous dégâts matériels, recouvrir les tuiles de vinyle ou autre plancher avec du carton, des petits tapis ou autre matériel de protection avant de déplacer le réfrigérateur.

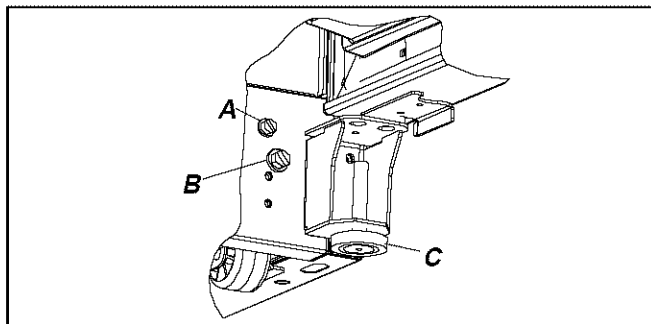
Mise à niveau du réfrigérateur

Dans certains cas, la porte doit être inversée pour permettre son ouverture complète. Si c'est le cas, passer à la partie « Inversion des portes » avant de mettre le réfrigérateur de niveau.

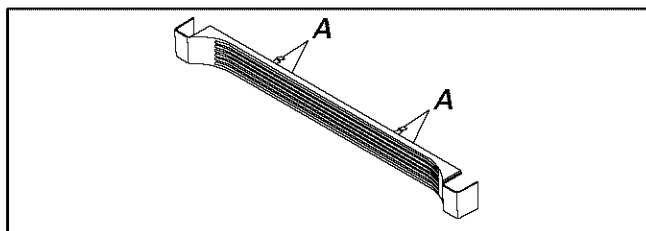
Si le réfrigérateur doit être raccordé à l'alimentation en eau, passer à la partie « Raccordement de l'appareil à glaçons », page 55, avant de mettre le réfrigérateur de niveau.

1. Brancher le réfrigérateur.
2. Le mettre à son emplacement final.

3. Pour mettre le réfrigérateur à plat, placer un niveau sur le dessus de l'appareil.
 - Ne jamais, pour quelle raison que ce soit, couper ou enlever la broche ronde de mise à la terre de la fiche.
 - Ne jamais enlever l'étiquette de mise en garde du cordon d'alimentation.
 - Ne jamais utiliser d'adaptateur à deux broches. Ne jamais utiliser de rallonge.
 - Tourner les vis de réglage à galet (**A, B**) vers la droite pour soulever l'appareil, ou vers la gauche pour l'abaisser. Le devant de l'appareil doit être $\frac{1}{4}$ po (6 mm), soit $\frac{1}{2}$ bulle sur le niveau, plus haut que l'arrière.
 - Lorsque la mise à niveau est terminée, tourner le pied de stabilisation (**C**—sur certains modèles) vers la droite jusqu'à ce qu'il repose fermement sur le plancher.



- Repérer les attaches en métal (**A**) se trouvant à l'intérieur de la grille de ventilation. Accrocher l'ensemble d'attaches inférieures à l'intérieur de la moulure en métal située sous le congélateur. Appuyer sur la partie supérieure de la grille jusqu'à ce que celle-ci s'enclenche en place.



ATTENTION

Pour éviter tous dégâts matériels ou toutes blessures graves, le pied de stabilisation doit reposer fermement sur le plancher.

Inversion des portes

Certaines installations nécessitent l'inversion de la porte pour assurer le mouvement complet de celle-ci. Procéder comme suit pour inverser la porte :

Outils nécessaires

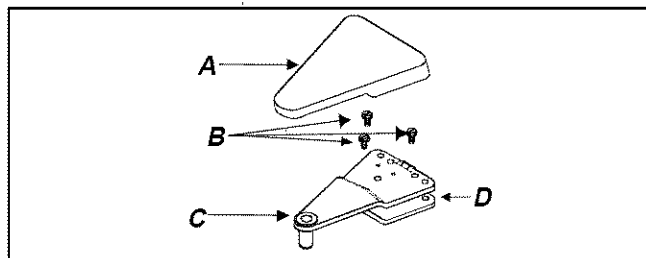
Tournevis hexagonal de $\frac{5}{16}$ po

Tournevis hexagonal de $\frac{9}{32}$ po

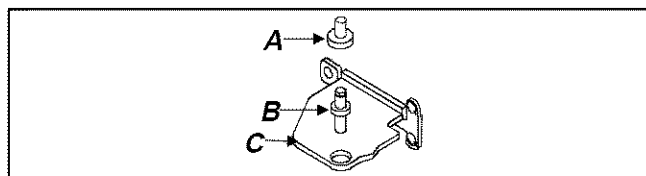
IMPORTANT :

- Conserver toutes les vis pour les réutiliser.
- Lorsque le retrait du bouchon nécessite l'utilisation d'un tournevis à lame plate ou un couteau à mastic, la lame de l'outil doit être recouverte de ruban-cache adhésif pour ne pas endommager la finition du réfrigérateur. Pour les bouchons utilisant une tête de type tournevis ou tourne-écrou, utiliser le tournevis approprié pour éviter d'endommager les bouchons.

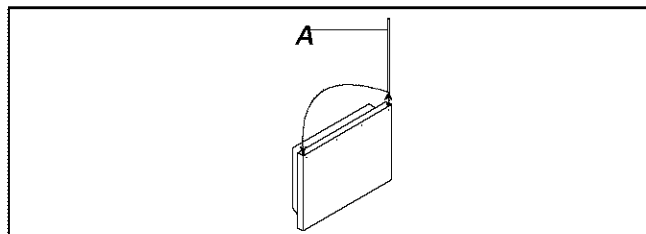
1. Retirer la bacs de porte (sur certains modèles).
2. Retirer le couvre-charnière supérieur et charnière.
 - Retirer le couvre-charnière supérieur (**A**). Celui-ci s'enlève facilement. Retirer la charnière supérieure (**C**) à l'aide d'un tournevis à tête hexagonal de $\frac{5}{16}$ po (**B**). Retirer et conserver toutes les cales (**D**).



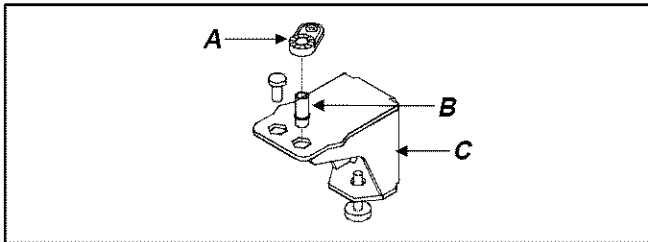
3. Enlever la porte du réfrigérateur en la soulevant hors de la broche de la charnière centrale (**C**). Retirer et conserver le dispositif de fermeture de la porte (**A**) se trouvant dans la partie supérieure de la broche de la charnière centrale (**B**).



4. Retirer la porte du réfrigérateur en la soulevant hors de l'axe de charnière centrale. Inspecter la porte pour vérifier si toutes les cales accompagnent l'axe de charnière.
5. Retirer la porte du congélateur en la dégageant de la charnière inférieure. Une tige de support interne (**A**) pourrait glisser hors du logement de la charnière. Replacer la tige avant d'installer la porte.



- Examiner la charnière inférieure (**C**) pour s'assurer que toutes les cales de la cheville de la charnière inférieure (**B**) sont bien en place. Conserver le dispositif de fermeture de la porte (**A**) situé sur la cheville de la charnière supérieure.



- Pour le remplacement des portes, en inversant les étapes 1 et 5 ci-dessus.

Inversion de la porte

Pour inverser le sens d'ouverture de la porte, composer le 1-800-843-0304, option 4, pour fixer un rendez-vous de service. Ce service est gratuit si le rendez-vous est fixé dans les trois mois suivant la date d'achat.

Installation de la cartouche de filtration de l'eau

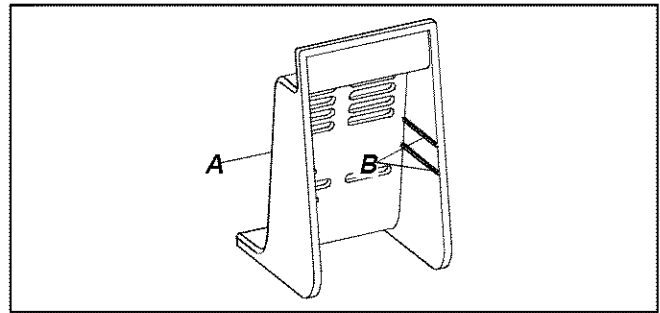
- Il faut retirer la cartouche de dérivation avant de raccorder la canalisation d'eau au réfrigérateur. Retirer la cartouche de dérivation de la tête du filtre d'eau situé dans le coin arrière droit du réfrigérateur. Tourner la cartouche d'un quart de tour vers la gauche et la tirer vers le bas pour l'enlever. Conserver la cartouche de dérivation pour utilisation future.
- Voir les *Instructions d'installation et de fonctionnement du système de filtration de l'eau* fournies avec la cartouche du filtre d'eau pour savoir comment installer et faire fonctionner le filtre.

Installation de la cartouche de filtration de l'air

Il faut remplacer la cartouche aux trois mois. Les odeurs fortes de nourriture (par ex., oignons, ail non emballés, etc.) réduiront la durée de vie de la cartouche.

- Repérer le système de filtration de l'air situé au retour d'air de la caisse du réfrigérateur. Le porte-filtre (**A**) est fixé à la caisse par un velcro. Détacher le porte-filtre de la paroi de la caisse.
- Repérer le filtre d'odeurs à l'intérieur du porte-filtre. Le filtre s'enlève en le faisant glisser.

- Insérer la cartouche de recharge en la faisant glisser dans les rainures (**B**).



Raccordement de l'appareil à glaçons à l'alimentation en eau

DANGER

Pour éviter tout risque d'électrocution pouvant causer des blessures graves, voire le décès, couper l'alimentation en électricité du réfrigérateur avant de raccorder l'alimentation en eau. Après avoir replacé les portes, rebrancher l'alimentation en électricité.

ATTENTION

Observer les consignes suivantes pour éviter tout dommage matériel:

- Il faut retirer la cartouche de dérivation avant de raccorder la canalisation d'eau au réfrigérateur.
- S'assurer que la pression de l'eau à l'électrovanne est bien entre 20 et 100 livres par pouce carré (138 et 690 kPa).
- Serrer les raccords et les écrous à l'aide de pinces et de clés. Ne pas trop serrer.
- Vérifier qu'il n'y a pas de fuites et les réparer s'il y a lieu avant de mettre le réfrigérateur à son emplacement final. Procéder à une nouvelle vérification 24 heures après le raccordement.

Important

- Avant d'effectuer le raccordement à l'alimentation en eau, contacter un plombier pour raccorder la conduite en cuivre à l'arrivée d'eau de la maison conformément aux codes et règlements locaux.
- Sears ne recommande pas l'utilisation d'un robinet à étrier de $\frac{3}{16}$ po (5 mm) ni de robinet auto-taraudeur. L'un comme l'autre réduisent le débit d'eau, se bouchent au fil des années et peuvent par ailleurs provoquer des fuites lorsqu'on essaie de les réparer. Pour convenir, un robinet d'arrêt exige le percement d'un trou de $\frac{1}{4}$ po (6 mm) dans la conduite d'alimentation en eau avant d'y fixer le robinet. Sears ne peut être tenue responsable des dommages causés par un raccordement incorrect de l'alimentation en eau.

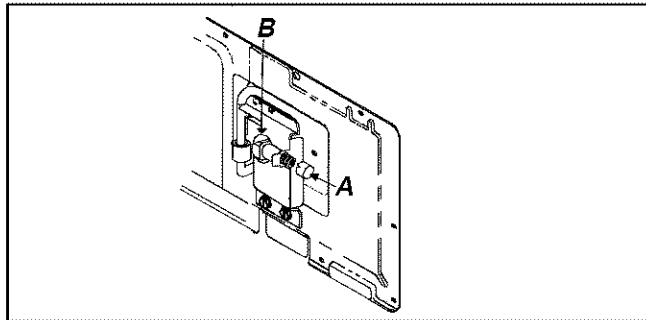
Commandes

Matériel nécessaire

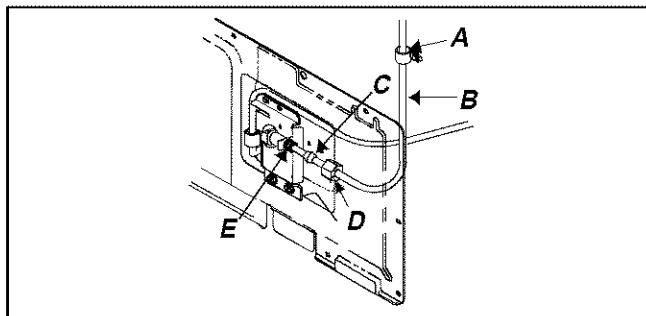
Une tubulure flexible en cuivre de diamètre externe de $\frac{1}{4}$ po (6 mm) est nécessaire. La longueur de la conduite doit être suffisante pour couvrir la distance entre l'arrivée d'eau de l'électrovanne et le point de raccordement à l'alimentation en eau à l'arrière du réfrigérateur, additionnée de 8 pi (2,4 m) pour former une boucle permettant le déplacement de celui-ci sans avoir à désolidariser la conduite.

Marche à suivre

1. Enlever le capuchon **(A)** en plastique de l'orifice d'arrivée d'eau de l'électrovanne **(B)**.



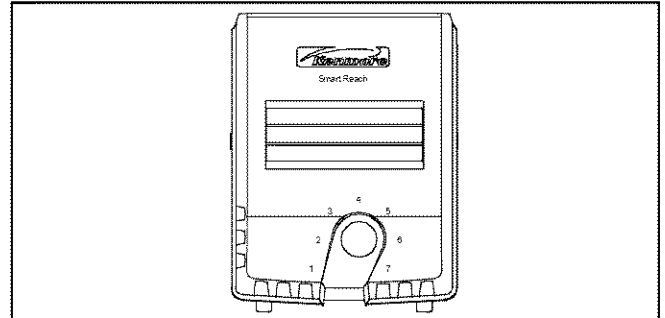
2. Mettre l'écrou **(D)** et le manchon en laiton **(C)** sur la tubulure en cuivre **(B)**. (Ceux-ci se trouvent dans le paquet d'imprimés.) Insérer la tubulure en cuivre dans l'orifice d'arrivée d'eau de l'électrovanne **(E)**. Raccorder l'écrou en laiton qui se trouve sur la tubulure en cuivre à l'orifice d'arrivée d'eau de l'électrovanne. Veiller à ce que la tubulure soit bien en place en tirant dessus.
3. Ouvrir l'alimentation en eau du réfrigérateur et vérifier qu'il n'y a pas de fuites. Réparer toute fuite au niveau du raccordement. Veiller à ne pas trop serrer l'écrou.
4. Faire une boucle de service en veillant soigneusement à éviter de plier la tubulure. Fixer la tubulure en cuivre sur le réfrigérateur à l'aide de la bride de fixation en **P(A)**.



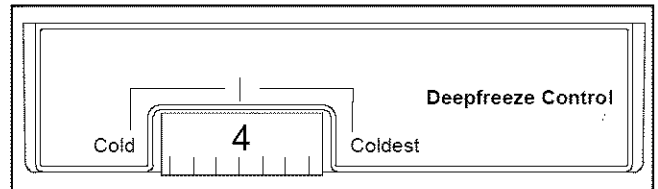
Ce réfrigérateur fonctionne de façon plus efficace lorsque la température ambiante se situe entre 55° et 110°F (13°C à 43°C).

Commandes congélateur et Aliments frais

La commande Aliments frais est située sur la partie arrière supérieure du compartiment Aliments frais.



La commande congélateur est située sur le plafond avant droit du compartiment congélateur.



Lorsque la commande congélateur est en position *OFF*, ni l'un ni l'autre des compartiments Aliments frais ou congélateur ne se rafraîchiront. Au départ, régler ces deux commandes sur 4. Attendre 24 heures avant que les compartiments Aliments frais et congélateur n'aient atteint les températures désirées. Après 24 heures, régler les commandes sur les valeurs désirées. Le réglage le plus chaud est 1 tandis que 7 est le réglage le plus froid.

Réglage des commandes

Régler les commandes avec précision à l'aide d'un thermomètre domestique dont les températures se situent entre -5° et 50°F (-21° et 10°C).

Placer le thermomètre entre les emballages congelés dans le compartiment congélateur. Attendre 5 à 8 heures. Si la température congélateur ne se situe pas entre 0° et 2°F (-17° et -16°C), régler la commande, un chiffre à la fois. Vérifier de nouveau après 5 à 8 heures.

Placer le thermomètre dans un verre d'eau au milieu du compartiment Aliments frais. Attendre 5 à 8 heures. Si la température du compartiment Aliments frais ne se situe pas entre 38° et 40°F (3° et 4°C), régler la commande, un chiffre à la fois. Vérifier de nouveau après 5 à 8 heures.

FRANÇAIS

Caractéristiques Aliments frais



ATTENTION

Pour éviter tous dégâts matériels, s'assurer que la clayette est bien installée avant de placer des articles sur celle-ci.

Clayettes retiennent

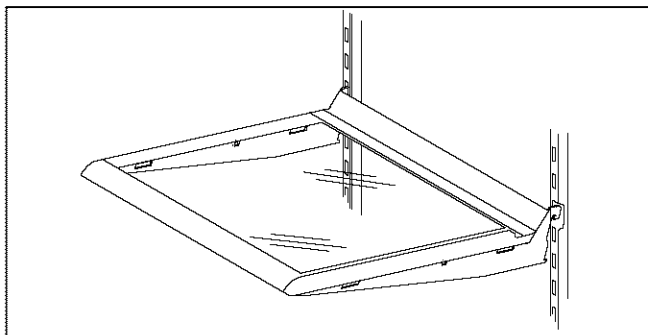
Les tablettes sont réglables en fonction des besoins de rangement. Certains modèles sont équipés de tablettes coulissantes et de tablettes qui retiennent les liquides qui débordent pour en faciliter le nettoyage.



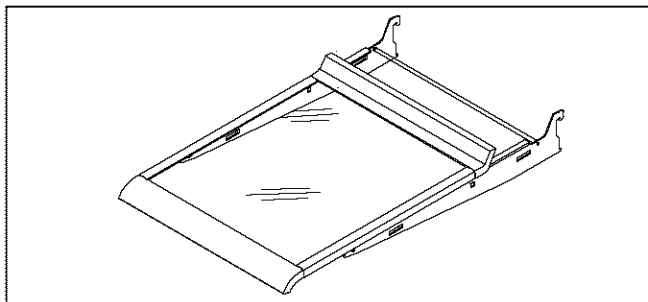
ATTENTION

Pour éviter tous dégâts matériels ou toutes blessures graves, manipuler les clayettes en verre avec soin. Les clayettes peuvent se casser soudainement si elles sont entaillées, égratignées ou exposées à un changement soudain de température.

- Enlever les clayettes en soulevant le devant et en relâchant les crochets de la tringle en métal, puis en tirant.
- Replacer les clayettes en insérant les crochets dans la tringle en métal et en rabaissant le devant.



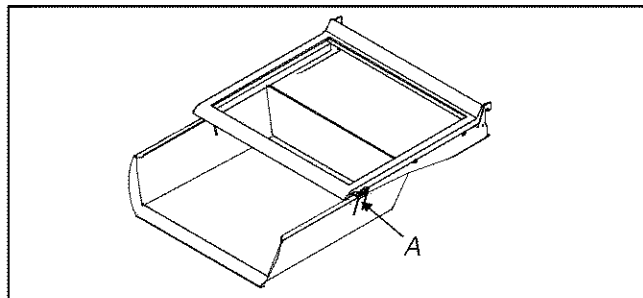
Les clayettes coulissantes se tirent vers l'avant pour permettre un accès facile aux articles rangés à l'arrière.



Tiroir réglable

Tiroir réglable est un espace de rangement situé sous la clayette retiennent et se tire vers l'avant pour un accès facile.

- Enlever la clayette en tirant jusqu'à ce que celle-ci s'arrête. Pousser vers l'intérieur les attaches (**A**) sur les côtés de la clayette et tirer celle-ci vers l'avant.
- Replacer la clayette en insérant celle-ci dans la tringle et en la glissant vers l'intérieur.



Tiroirs

Tiroir pour aliments croquants à humidité contrôlée

L'humidité du tiroir droit est contrôlée. Ce tiroir permet de garder les produits frais plus longtemps. Emballez le produit hermétiquement. Ne pas laver le produit avant de le placer dans le tiroir. Un excès d'humidité pourrait gâter le produit prématurément. Ne pas recouvrir le tiroir de papier essuie-tout, car celui-ci retient l'humidité.

La commande servant à régler l'humidité est située en dessous de la garniture de la clayette à l'avant. Elle permet de régler l'humidité dans le tiroir. Glisser la commande vers la droite pour les produits tels que la laitue, les épinards ou le chou. Glisser la commande vers la gauche pour les produits avec une peau tels que le chou-fleur, le maïs ou les tomates.

Tiroir à température contrôlée

La température du tiroir de gauche est contrôlée. Ce tiroir garde les aliments frais plus longtemps et jusqu'à 5°F (3°C) plus froids que la température du compartiment Aliments frais. Utiliser ce tiroir pour le rangement de la charcuterie ou autres produits.

La commande servant à régler la température est située en dessous de la garniture de la clayette à l'avant. Glisser la commande vers la gauche pour la température normale du compartiment Aliments frais et vers la droite pour une température plus froide. Des cristaux de glace peuvent se former sur le tiroir ou la nourriture si le réglage est sur la position la plus froide. L'air froid peut faire diminuer la température du compartiment Aliments frais. La commande Aliments frais doit parfois être réglée.

Enlever la clayette et les tiroirs en procédant selon les étapes suivantes.

1. Ouvrir le tiroir de gauche*.
 - * Ouvrir le tiroir de droite lorsque les charnières des portes sont à gauche.



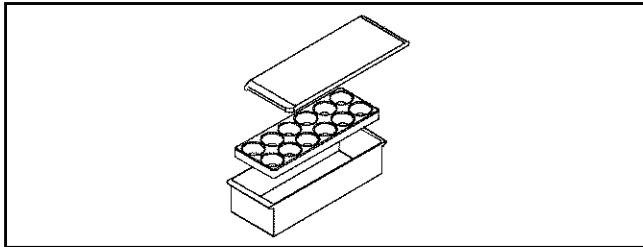
ATTENTION

Pour éviter tous dégâts matériels ou toutes blessures corporelles, manipuler les clayettes en verre avec soin. Celles-ci peuvent casser soudainement si elles sont entaillées, égratignées ou exposées à un changement soudain de température.

2. Enlever la clayette en la soulevant doucement vers le haut. Incliner une extrémité vers le haut et tirer.
3. Enlever le tiroir de gauche* en soulevant le devant tout en le tenant par en dessous, puis en tirant.
 - * Ouvrir le tiroir de droite lorsque les charnières des portes sont à gauche.
4. Enlever le poteau de soutien du renforcement situé dans la partie centrale inférieure du compartiment Aliments frais en le soulevant.
5. Enlever l'autre tiroir pour aliments croquants en le glissant vers la paroi opposée. Soulever le devant tout en le tenant par en dessous, puis en tirant.
6. Replacer les tiroirs et la clayette en inversant les étapes 1-5.

Compartiment de rangement couvert

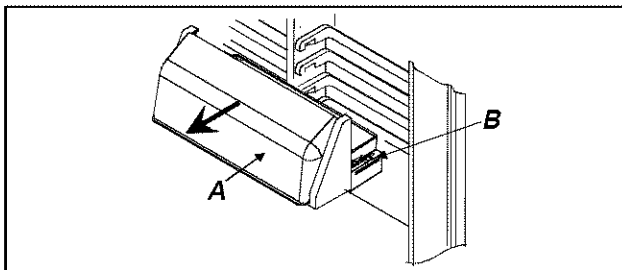
Le compartiment de rangement possède un couvercle et un oeufrier amovible. Lorsque l'oeufrier est enlevé, le compartiment peut contenir des articles tels qu'un carton d'œufs standard, de la glace, etc.



Casier laitier

Le casier laitier offre un espace de rangement pour des articles tels que le beurre, le fromage, etc.

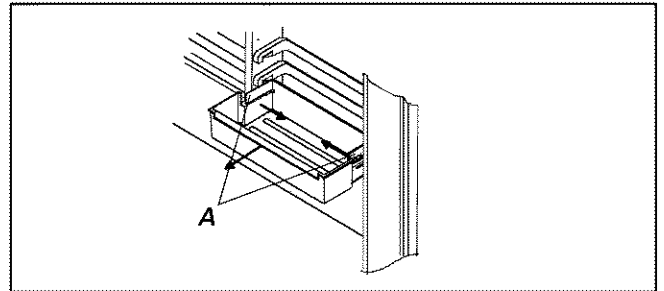
- Enlever le casier laitier en soulevant la porte (A), en poussant les attaches (B) vers le centre et en tirant.
- Replacer le casier laitier en le glissant jusqu'à ce que les attaches soient bien verrouillées et en rabaisant la porte.



Compartiments de porte

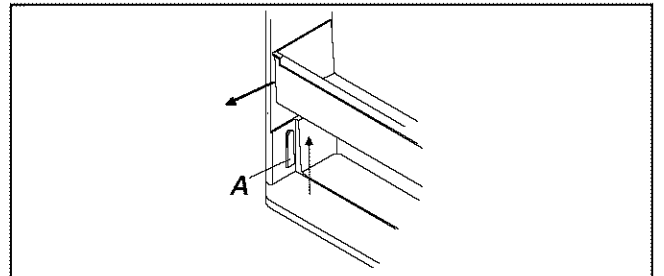
Les compartiments de porte sont ajustables pour s'adapter aux besoins de rangement.

- Enlever les compartiments de porte en poussant les attaches (A) vers le centre et en tirant.
- Replacer les compartiments de porte en les glissant jusqu'à ce que les attaches soient bien verrouillées.



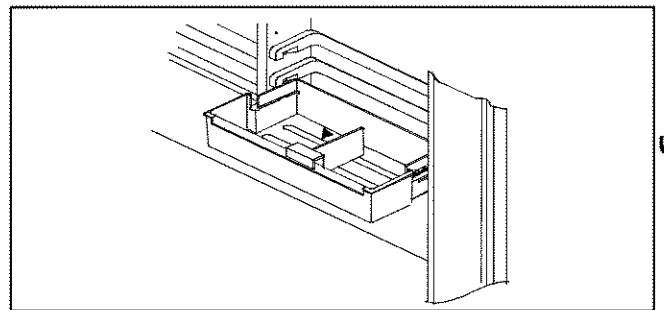
Clayette de porte

- Enlever la clayette de porte en soulevant les extrémités et en tirant.
- Replacer la clayette de porte en plaçant la clayette sur les glissements (A) et en le faisant glisser vers le bas.



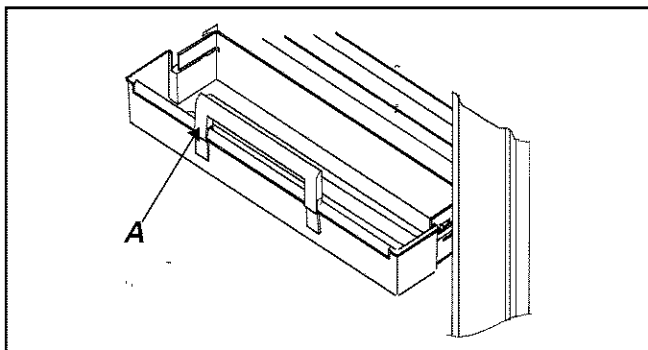
Diviseurs ajustables

Les diviseurs ajustables permettent de garder les articles en place et d'adapter le réfrigérateur aux besoins individuels de rangement. Le diviseur convient à tout compartiment ou clayette de porte Aliments frais.



Conteneur de grands emballages

Le conteneur de grands emballages(A) permet de retenir solidement les grands articles. Le conteneur peut être installé dans tout compartiment de porte Aliments frais ou clayette de porte.



Caractéristiques congélateur

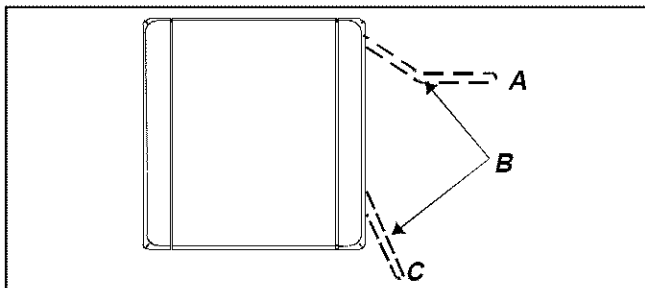
Système auto-dégivrant

Aucune accumulation de glace ne peut se produire dans les compartiments réfrigérateur et congélateur. Le dégivrage est automatique et, dans des conditions d'utilisation normale, les compartiments réfrigérateur et congélateur n'auront jamais besoin d'être dégivrés.

Appareil à glace

- S'assurer que le bac à glaçons est en place et que le bras de l'appareil à glaçons (B) est en position de marche (On) (C).
- Une fois que le compartiment congélateur atteint une température normale, l'appareil à glace se remplit d'eau et commence à fonctionner. Le laisser fonctionner 24 à 48 heures après son installation avant de prendre de la glace. Dans des conditions idéales, l'appareil à glace. Au fur et à mesure que le bac à glace se remplit, le bras-levier de l'appareil se lève. Quand le bac à glace est plein, le bras-levier de l'appareil (B) arrête la production de cubes de glace (A).

Remarque: Jeter les trois premiers lots de cubes de glace pour éviter la consommation d'impuretés qui ont pu rester dans la conduite après sa pose.



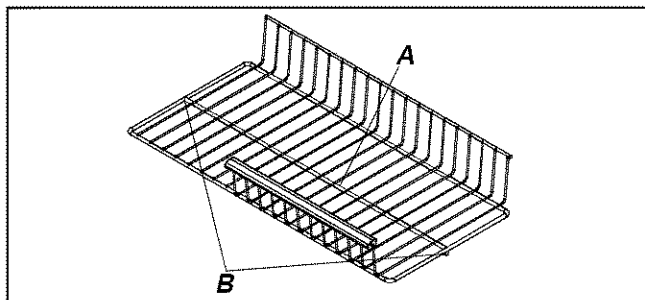
ATTENTION

Pour éviter tous dégâts matériels, s'assurer que la clayette est bien fixée avant de placer des articles sur celle-ci.

Tablette coulissante

Les tablettes coulissantes se tirent vers l'avant pour faciliter l'accès aux articles placés à l'arrière.

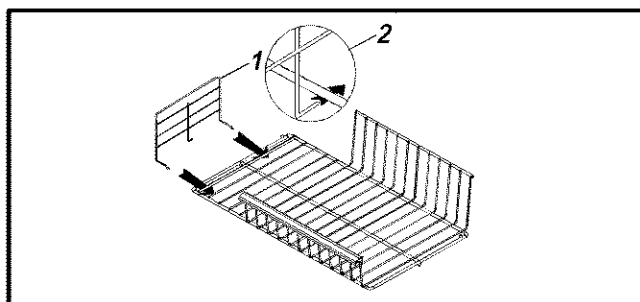
- Retirer la tablette coulissante en la faisant glisser vers l'avant jusqu'à ce que la pointe ronde (B) se trouvant sous la crémaillère centrale (A) s'encienche dans la rainure de moulage. Saisir la tablette par la crémaillère centrale (A), la soulever, puis la retirer.
- Faire glisser la tablette jusqu'à ce que la pointe ronde (B) se place dans la rainure de moulage.



Séparateur de tablette vertical

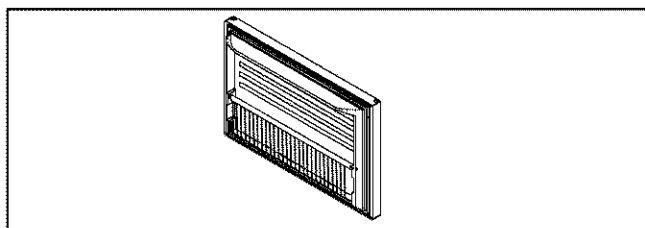
Procéder comme suit pour poser le séparateur de tablette vertical:

1. Faire glisser les pointes du séparateur de tablette sous la grille désirée, légèrement à l'extérieur de l'axe de la crémaillère centrale.
2. Appuyer sur le dessus du séparateur et faire glisser le crochet sous la crémaillère centrale.



Bac à bascule

Le bac à bascule pratique permet de conserver les aliments congelés dans la porte du congélateur et il bascule vers l'avant pour faciliter l'accès à ces aliments.



Entretien et nettoyage



MISE EN GARDE

Pour éviter tout risque d'électrocution pouvant causer des blessures graves voire mortelles, débrancher le réfrigérateur avant de le nettoyer. Une fois le nettoyage effectué, rebrancher l'appareil.



PRECAUCIÓN

Pour éviter tous dommages matériels ou blessures, lire et suivre toutes les consignes des fabricant concernant le nettoyage.

Indications générales

1. Utiliser une éponge propre ou un linge doux et un détergent doux dans de l'eau chaude. Ne pas utiliser de produits de nettoyage abrasifs ou rugueux.
2. Rincer à l'eau tiède. Sécher à l'aide d'un linge doux et propre.
3. Ne pas utiliser d'essuie-tout, de nettoyeurs à vitres, de produit à récurer ou de liquides inflammables (couvertures et panneaux) car ils peuvent égratigner ou endommager le matériel.
NE PAS utiliser les articles et produits suivants :
 - Ne pas placer les compartiments, clayettes, etc. dans le lave-vaisselle
4. Cirer les surfaces peintes en métal au moins deux fois l'an à l'aide d'une cire liquide ou d'une pâte (sans danger pour la couche de base) pour l'automobile ou les appareils. Appliquer la cire avec un linge propre et doux. Ne pas cirer les pièces en plastique.

Suppression des odeurs

1. Enlever toute la nourriture.
2. Nettoyer toutes les surfaces intérieures, notamment la partie supérieure, la partie inférieure et les parois conformément aux instructions "générales". Porter une attention spéciale aux coins, fissures et rainures, de même qu'aux tiroirs, clayettes et joints.
3. Nettoyer et essuyer toutes les bouteilles, tous les contenants et les pots avant de remettre la nourriture dans le réfrigérateur. Emballer la nourriture dans des contenants scellés hermétiquement afin de prévenir l'émanation d'odeurs. Après 24 heures, vérifier si l'odeur persiste toujours.

Si l'odeur persiste, procéder de la façon suivante:

4. Recommencer les étapes 1 et 2.
5. Placer les légumes croquants du jardin sur la clayette supérieure du compartiment Aliments frais. Recouvrir les compartiments Aliments frais et congélateur, notamment les portes, avec des feuilles de papier journal noir et blanc chiffonnées.
6. Disposer les briquettes de charbon de bois un peu partout sur le papier journal.

7. Fermer les portes et laisser en place durant 24 à 48 heures.
 8. Enlever les briquettes de charbon de bois et les journaux.
 9. Recommencer les étapes 2 et 3.
- Contactez le service à la clientèle si l'odeur persiste toujours.

Adhésifs

1. Enlever les résidus de colle en frottant l'adhésif avec du dentifrice jusqu'à ce que celui-ci se décolle.
2. Rincer les surfaces à l'eau tiède. Essuyer la surface avec un linge doux et propre.

Joints de porte

1. Nettoyer les joints de porte tous les 3 mois conformément aux instructions "générales".
2. Appliquer une mince couche de gelée de pétrole afin de maintenir la souplesse des joints.

Bobines de condensateur

Nettoyer la bobine de condensateur à tous les 3 mois afin d'assurer un rendement maximum du réfrigérateur. La poussière accumulée et les peluches peuvent entraîner les problèmes suivants:

- refroidissement moins efficace
- consommation d'énergie plus élevée
- défaillance de pièce prématurée

1. Enlever la grille en tenant les extrémités et en tirant vers l'avant.
2. Nettoyer la surface avant de la bobine du condensateur avec le suceur d'un boyau d'aspirateur.
3. Replacer la grille en insérant les attaches dans les trous et en les mettant en place avec un claquement.

Clayettes en verre



ATTENTION

Pour éviter tous dégâts matériels ou toutes blessures corporelles, manipuler les clayettes en verre avec soin. Celles-ci peuvent casser soudainement si elles sont entaillées, égratignées ou exposées à un changement soudain de température.

Enlever la clayette en soulevant le devant, en relâchant les crochets de la tringle en métal, puis en tirant. Placer la clayette sur une serviette. Laisser la clayette s'adapter à la température ambiante avant de procéder au nettoyage.

Nettoyer les fentes en suivant ces étapes:

1. Diluer un détergent doux et appliquer la solution à l'intérieur des fentes en brossant celles-ci à l'aide d'une brosse pur sanglier en plastique. Laisser pénétrer durant 5 minutes.
2. Vaporiser de l'eau tiède à l'intérieur des fentes à l'aide d'un vaporisateur conçu à cet effet.
3. Sécher la clayette à fond et replacer celle-ci en insérant les crochets dans la tringle en métal et en rabaisant le devant.

Ampoules électriques



MISE EN GARDE

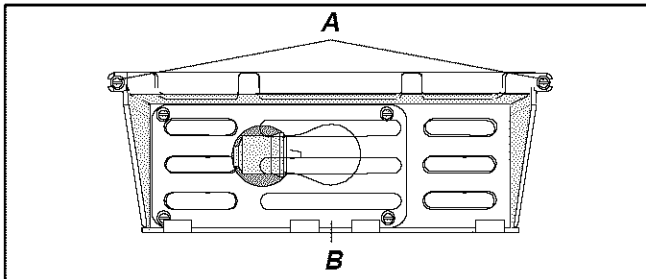
Pour éviter tout risque d'électrocution susceptible de causer des blessures corporelles voire le décès, débrancher le réfrigérateur avant de remplacer l'ampoule. Le rebrancher lorsque l'ampoule a été remplacée.



ATTENTION

Pour éviter toutes blessures corporelles ou tous dégâts matériels, veuillez observer les consignes suivantes:

- Laisser l'ampoule refroidir.
 - Porter des gants durant le remplacement de l'ampoule électrique.
- L'accessibilité aux ampoules électriques est possible en enlevant 2 vis à tête hexagonale de ¼ po(6mm)(A). L'arrière du couvercle de l'ampoule électrique(B) tombe alors. Remplacer par une ampoule n'excédant pas 60 watts.
 - Replacer le couvercle de l'ampoule électrique(B) en appuyant le couvercle contre la partie supérieure de l'appareil. Insérer les vis et serrer.



Conseils pour les vacances

Procéder de la façon suivante avant de partir en vacances pour une courte période de temps.

1. Enlever les aliments périssables. **La garantie ne couvre pas la perte de nourriture.** Consulter le certificat de garantie pour connaître la couverture applicable.
2. Si un appareil à glaçons est installé, placer le bras de l'appareil à glaçons en position arrêt.

Procéder de la façon suivante avant de partir en vacances pour une longue période de temps.

1. Vider les compartiments Aliments frais et congélateur.
2. Débrancher le réfrigérateur.
3. Nettoyer le réfrigérateur et les joints de porte conformément aux instructions "générales" énoncées dans la section "Entretien et nettoyage".
4. Laisser les portes ouvertes afin que l'air circule librement à l'intérieur.

5. Si un appareil à glaçons est installé, fermer l'alimentation en eau du réfrigérateur et déplacer le bras de l'appareil à glaçons à la position arrêt. Ouvrir et bloquer les portes de façon à ce que l'air circule à l'intérieur des compartiments.

Conseils pour des économies d'énergie

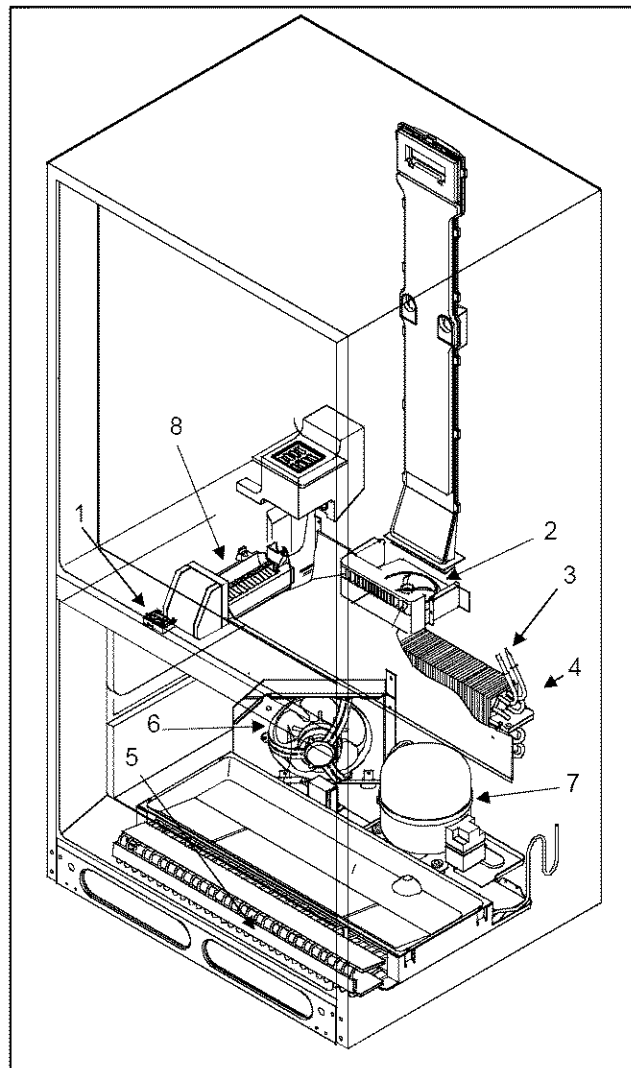
Cet appareil est l'un des réfrigérateurs les plus économiques en matière d'énergie sur le marché actuel. La mise en pratique des conseils suivants permet de réduire la consommation d'énergie.

- Faire fonctionner à la température ambiante normale se situant entre 55° et 110°F (13°C à 43°C) loin des sources de chaleur et du soleil.
- Ne pas régler les commandes des tiroirs et des compartiments Aliments frais et congélateur à une température plus froide que nécessaire.
- Garder le compartiment congélateur toujours plein.
- Garder les joints de porte propres et flexibles. Remplacer les joints usés.
- Garder les bobines de condensateur propres.

Bruits de fonctionnement normaux

Ce nouveau réfrigérateur remplace probablement un réfrigérateur conçu de façon différente, plus petit et moins efficace. Les réfrigérateurs modernes possèdent de nouvelles caractéristiques et utilisent l'énergie de façon plus efficace. Par conséquent, certains bruits ne sont pas familiers mais le deviendront bientôt car ils sont normaux. Ces bruits indiquent également que le réfrigérateur fonctionne et offre le rendement attendu.

- **La commande congélateur** émet un déclic lorsque le compresseur se met en marche ou s'arrête.
- **Le ventilateur congélateur** ronronne ou propulse l'air.
- Le flux de réfrigérant du **système hermétique** (évaporateur et échangeur de chaleur) gargouille, éclate ou émet le son de l'eau qui bout.
- **Le dégivreur** grésille, siffle ou éclate.
- **Le ventilateur du condensateur** ronronne ou propulse l'air.
- **Le compresseur** émet un son aigu ou un vrombissement.
- **Les glaçons** fabriqués par l'appareil à glaçons tombent dans le seau à glace.
- **Le raccord de la soupape d'eau de l'appareil à glaçons** bourdonne lorsque l'appareil à glaçons se remplit d'eau. Cela se produit que le réfrigérateur soit branché ou non à l'alimentation en eau. Si le réfrigérateur n'est pas branché à l'alimentation en eau, le bruit s'arrêtera lorsque le bras de l'appareil à glaçons est soulevé en position arrêt.
- L'isolant mousse permet d'économiser une grande quantité d'énergie et possède d'excellentes qualités isolantes. Cependant, il n'est pas aussi absorbant que l'isolant en fibre de verre utilisé auparavant.



Avant d'appeler le technicien

Problème	Solution
Le réfrigérateur ne fonctionne pas.	<ul style="list-style-type: none"> • S'assurer que la commande congélateur est en position "on" (marche). • S'assurer que le réfrigérateur est branché. • Vérifier le fusible ou le disjoncteur. Brancher un autre appareil dans la prise de courant. • Attendre 40 minutes pour vérifier si le réfrigérateur se remet en marche. Si la commande congélateur est en marche, et que les lumières fonctionnent mais que les 2 ventilateurs et le compresseur ne fonctionnent pas, le réfrigérateur est probablement en cycle de dégivrage.
Le réfrigérateur ne fonctionne toujours pas.	<ul style="list-style-type: none"> • Débrancher le réfrigérateur. Transférer la nourriture dans un autre réfrigérateur ou verser de la neige carbonique dans le compartiment congélateur pour conserver la nourriture. Appeler le service de dépannage.
La température de la nourriture semble trop élevée.	<ul style="list-style-type: none"> • Voir les sections précédentes. • Laisser la nourriture récemment placée dans le réfrigérateur atteindre la température des compartiments Aliments frais et congélateur. • Vérifier si les joints sont fermés hermétiquement. • Nettoyer les bobines de condensateur. • Régler la commande Aliments frais et/ou congélateur.
La température du tiroir à température réglable est trop chaude.	<ul style="list-style-type: none"> • Régler la commande sur une position plus froide. • Régler la commande congélateur sur une position plus froide.
La température de la nourriture est trop froide.	<ul style="list-style-type: none"> • Nettoyer les bobines de condensateur. • Régler la commande Aliments frais. • Régler la commande congélateur sur une température plus chaude. Attendre plusieurs heures afin que la température atteigne le niveau désiré.
Le réfrigérateur fonctionne trop souvent.	<ul style="list-style-type: none"> • Cela est peut être normal afin de maintenir une température constante. • Les portes ont peut-être été ouvertes trop fréquemment ou durant une période temps prolongée. • Laisser la nourriture récemment placée dans le réfrigérateur atteindre la température des compartiments Aliments frais et congélateur. • Nettoyer les bobines de condensateur. • Régler la commande congélateur. • Vérifier si les joints sont fermés hermétiquement.
Des gouttelettes d'eau se forment à l'intérieur du réfrigérateur.	<ul style="list-style-type: none"> • Cela est normal durant les périodes d'humidité intense ou si les portes ont été ouvertes fréquemment.
Des gouttelettes d'eau se forment à l'extérieur du réfrigérateur.	<ul style="list-style-type: none"> • Vérifier si les joints de la porte sont fermés hermétiquement.
Les tiroirs ne se ferment pas facilement.	<ul style="list-style-type: none"> • Vérifier si un emballage empêche le tiroir de fermer correctement. • S'assurer que le tiroir est en place. • Nettoyer les cannelures du tiroir avec de l'eau tiède savonneuse. Rincer et sécher à fond. • Appliquer une mince couche de gelée de pétrole dans les cannelures du tiroir. • S'assurer que le réfrigérateur est de niveau.
Une odeur persiste dans le réfrigérateur.	<ul style="list-style-type: none"> • Voir les instructions "Suppression des odeurs" dans la section "Entretien et nettoyage".
Le réfrigérateur ou l'appareil à glaçons (sur certains modèles) émettent des sons peu familiers ou trop bruyants.	<ul style="list-style-type: none"> • Cela est peut-être normal. Voir la section "Bruits de fonctionnement normaux".
L'appareil à glaçons (sur certains modèles) ne fabrique pas de glaçons.	<ul style="list-style-type: none"> • S'assurer que le bras de l'appareil à glaçons est tourné vers le bas. • S'assurer que l'alimentation en eau domestique atteint la soupape d'eau. • S'assurer que le faisceau de l'appareil à glaçons est complètement inséré dans les trous appropriés. • Vérifier s'il le tuyau de plastique ou de cuivre comporte des entortillements. Défaire les entortillements ou remplacer le tuyau. • Vérifier les raccords électriques de la bobine de soupape d'eau et du bloc de raccordement sur le meuble du réfrigérateur. • S'assurer que la section congélateur fonctionne à la température appropriée.
Les glaçons dégagent une odeur.	<ul style="list-style-type: none"> • Voir les instructions "Enlèvement des odeurs" dans la section "Entretien et nettoyage". • Jeter la glace et nettoyer le seau à glace ou les bacs à glaçons plus fréquemment. Les glaçons sont poreux et absorbent les odeurs facilement.
Les glaçons collent les uns aux autres ou "rétrécissent".	<ul style="list-style-type: none"> • Vider le seau à glace ou les bacs à glaçons plus fréquemment. Si on les laisse trop longtemps dans le congélateur, les glaçons collent les uns aux autres ou rétrécissent.
De la glace se forme dans le tuyau d'entrée de l'appareil à glaçons	<ul style="list-style-type: none"> • Vérifier la pression d'eau. Une pression d'eau trop faible cause des fuites dans la soupape. Les soupapes qui se percent d'elles-mêmes font diminuer la pression d'eau.

FRANÇAIS

For in-home major brand repair service:
Call 24 hours a day, 7 days a week

1-800-4-MY-HOMESM (1-800-469-4663)

Para pedir servicio de reparación – 1-800-676-5811

Au Canada pour tout le service – 1-877-LE FOYERSM (1-877-533-6937)

For the repair or replacement parts you need:
Call 6 a.m. – 11 p.m. CST, 7 days a week

PartsDirectSM

1-800-366-PART (1-800-366-7278)

www.sears.com/partsdirect

Para ordenar piezas – 1-800-659-7084

For a Sears Service Center location in your area:
Call 24 hours a day, 7 days a week

1-800-488-1222

For a Sears Maintenance Agreement purchase or inquiry:
Call 7 a.m.–5 p.m. CST, Monday–Saturday

1-800-827-6655

