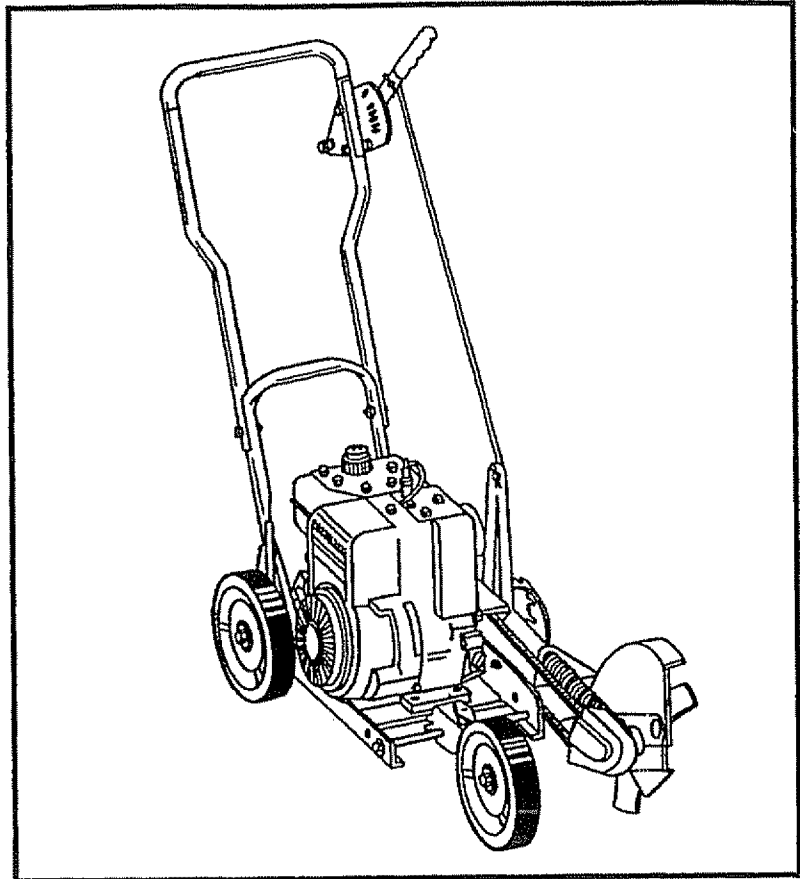


SEARS
OWNER'S
MANUAL

**MODEL NO.
536.797561**

**Caution:
Read and Follow
All Safety Rules
and Instructions
Before Operating
This Equipment**



CRAFTSMAN®

**9 INCH - 3.0 HORSEPOWER
EDGER/TRIMMER**

- Assembly
- Operation
- Customer Responsibilities
- Service and Adjustments
- Repair Parts

SEARS, ROEBUCK AND CO., Hoffman Estates, IL 60179 U.S.A.

SAFETY RULES



CAUTION: ALWAYS DISCONNECT SPARK PLUG WIRE AND PLACE WIRE WHERE IT CANNOT CONTACT SPARK PLUG TO PREVENT ACCIDENTAL STARTING WHEN SETTING-UP, TRANSPORTING, ADJUSTING OR MAKING REPAIRS.



BEFORE USE

- Read the owner's manual carefully. Be thoroughly familiar with the controls and the proper use of the edger/trimmer. Know how to stop the edger/trimmer and disengage the controls quickly.
- Do not operate the edger/trimmer without wearing adequate outer garments. Wear footwear that will improve footing on slippery surfaces.
- Keep the area of operation clear of all persons, particularly small children and pets.
- Thoroughly inspect the area where the edger/trimmer is to be used and remove all foreign objects.
- Always wear safety glasses or eye shields during operation or while performing an adjustment or repair to protect your eyes from foreign objects that may be thrown from the edger/trimmer.
- Do not put hands or feet near or under rotating parts.
- Exercise extreme caution when operating on or crossing gravel drives, walks, or roads. Stay alert for hidden hazards or traffic.
- Exercise caution to avoid slipping or falling.
- Never operate the edger/trimmer without proper guards, plates, or other safety protective devices in place.

FUEL SAFETY

- Handle fuel with care; it is highly flammable.
- Use an approved container.
- Check fuel supply before each use, allowing space for expansion as the heat of the engine and/or sun can cause fuel to expand.
- Fill fuel tank outdoors with extreme care. Never fill fuel tank indoors. Replace fuel tank cap securely and wipe up spilled fuel.
- Never remove the fuel tank cap or add fuel to a running or hot engine.
- Never store fuel or edger/trimmer with fuel in the tank inside a building where fumes may reach an open flame.
- Never operate the edger/trimmer at high transport speeds on slippery surfaces. Look behind and use care when backing.
- Never allow bystanders near the edger/trimmer.
- Keep children and pets away while operating.
- Never operate the edger/trimmer without good visibility or light.
- Do not run the engine indoors. The exhaust fumes are dangerous (containing CARBON MONOXIDE, an ODORLESS and DEADLY GAS).
- Take all possible precautions when leaving the edger/trimmer unattended. Stop the engine.
- Do not overload the edger/trimmer capacity by attempting to edge too deep at too fast a rate.

OPERATING SAFETY

- Never allow children or young teenagers to operate the edger/trimmer. Keep them away while it is operating. Never allow adults to operate the edger/trimmer without proper instruction.

SAFETY RULES

SAFE STORAGE

- Always refer to the owner's manual storage section for important details if the edger/trimmer is to be stored for an extended period.
- Never leave the edger/trimmer with fuel in the fuel tank inside a building where ignition sources are present such as water and space heaters, clothes dryers, and the like. Allow the engine to cool before placing in any enclosure.
- Keep the edger/trimmer in safe working condition. Check all fasteners at frequent intervals for proper tightness.
- Stop the blade whenever you leave the operating position. Also, stop the engine and disconnect the spark plug wire before unclogging the blade and when making any repairs, adjustments, or inspections.
- When cleaning, repairing, or inspecting, shut off the engine and make certain all moving parts have stopped.
- Never attempt to make any adjustments while the engine is running (except when specifically recommended by the manufacturer).

REPAIR/ADJUSTMENTS SAFETY

- After striking a foreign object, stop the engine (motor). Remove the wire from the spark plug, and keep the wire away from the plug to prevent accidental starting. Thoroughly inspect the edger/trimmer for any damage, and repair the damage before restarting and operating the edger/trimmer.
- If the edger/trimmer should start to vibrate abnormally, stop the engine (motor) and check immediately for the cause. Vibration is generally a warning of trouble.



LOOK FOR THIS SYMBOL TO POINT OUT IMPORTANT SAFETY PRECAUTIONS. IT MEANS--ATTENTION!!! BECOME ALERT!!! YOUR SAFETY IS INVOLVED.

CONGRATULATIONS on your purchase of a Sears Craftsman Edger/Trimmer. It has been designed, engineered and manufactured to give you the best possible dependability and performance.

Should you experience any problem you cannot easily remedy, please contact your nearest Sears Service Center/Department. We have competent, well-trained technicians and the proper tools to service or repair this unit.

Please read and retain this manual. The instructions will enable you to assemble and maintain your edger/trimmer properly. Always observe the "SAFETY RULES."

MODEL NUMBER	536.797561
SERIAL NUMBER	_____
DATE OF PURCHASE	_____

THE MODEL AND SERIAL NUMBERS WILL BE FOUND ON A DECAL ON THE FRAME OF THE EDGER/TRIMMER BEHIND THE ENGINE.

YOU SHOULD RECORD BOTH SERIAL NUMBER AND DATE OF PURCHASE AND KEEP IN A SAFE PLACE FOR FUTURE REFERENCE.

PRODUCT SPECIFICATIONS

HORSEPOWER:	3.0 hp
DISPLACEMENT:	9.06 cu. in. (148 c.c)
GASOLINE CAPACITY:	1.0 qt. Unleaded (Regular)
LUBRICATION:	21 oz. SAE 30
SPARK PLUG : (GAP .030 in.)	Champion CJ-8 or Equivalent

MAINTENANCE AGREEMENT

A Sears Maintenance Agreement is available on this product. Contact your nearest Sears Store for details.

CUSTOMER RESPONSIBILITIES

- Read and observe the safety rules.
- Follow a regular schedule in maintaining, caring for and using your edger/trimmer.
- Follow the instructions under "Maintenance" and "Storage" sections of this owner's manual

TWO YEAR LIMITED WARRANTY ON CRAFTSMAN EDGER/TRIMMER

For two years from the date of purchase, when this Craftsman Edger/Trimmer is maintained, lubricated and tuned-up according to the instructions in the owner's manual, Sears will repair, free of charge, any defect in material and workmanship.

If this Craftsman Edger/Trimmer is used for commercial or rental purposes, this warranty applies for only 90 days from the date of purchase.

This warranty does not cover the following:

- Expendable items which become worn during normal use, such as spark plugs, etc.
- Repairs necessary because of operator abuse or negligence, including bent crankshafts and the failure to maintain the equipment according to the instructions contained in the owner's manual

WARRANTY SERVICE IS AVAILABLE BY RETURNING THE CRAFTSMAN EDGER/TRIMMER TO THE NEAREST SEARS SERVICE CENTER/DEPARTMENT IN THE UNITED STATES THIS WARRANTY APPLIES ONLY WHILE THIS PRODUCT IS IN USE IN THE UNITED STATES.

This warranty gives you specific legal rights, and you may also have other rights which may vary from state to state.

SEARS, ROEBUCK AND CO. D/817WA, Sears Tower, Hoffman Estates, IL 60179

TABLE OF CONTENTS

SAFETY RULES	2,3	TROUBLE SHOOTING	16
PRODUCT SPECIFICATIONS.....	4	STORAGE	17
CUSTOMER RESPONSIBILITIES....	4, 12-13	REPAIR PARTS	
WARRANTY	4	(EDGER/TRIMMER)	18-20
TABLE OF CONTENTS	5	REPAIR PARTS (ENGINE).....	21-23
ASSEMBLY	5-7	PARTS ORDERING/SERVICE.....	Back Cover
OPERATION	8-11		
SERVICE AND ADJUSTMENTS	14-15		

ASSEMBLY

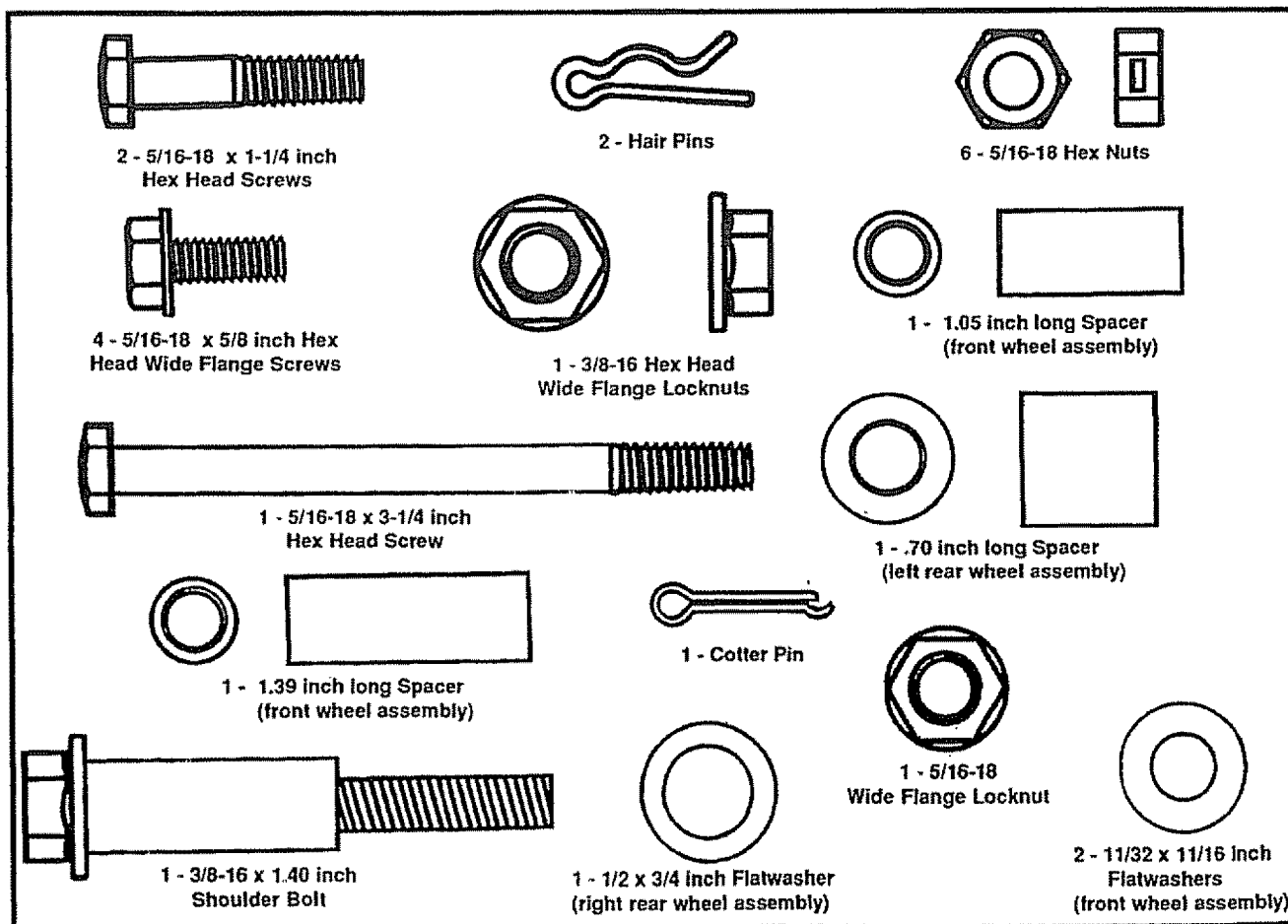
CONTENTS OF SHIPPING CARTON

- 1 - 9 inch Edger/Trimmer completely assembled except for the control rod, handles and wheels
- 1 - Control Rod
- 1 - Owner's Manual (Not Shown)
- 1 - Parts Bag
- 1 - Upper Handle Assembly
- 1 - Lower Handle Assembly
- 3 - Wheels

TOOLS REQUIRED FOR ASSEMBLY

- 2 - 1/2 inch Wrenches and
- 2 - 9/16 inch Wrenches or
- 2 - Adjustable Wrenches
- 1 - Flatblade Screwdriver
- 1 - Knife

CONTENTS OF PARTS BAG (shown actual size)



ASSEMBLY



CAUTION: ALWAYS WEAR SAFETY GLASSES OR EYE SHIELDS WHILE ASSEMBLING EDGER/TRIMMER.

Figure 1 shows the edger/trimmer completely assembled

Reference to the right and left hand side of the edger/trimmer is from the operator's position behind the unit.

TO REMOVE EDGER/TRIMMER FROM CARTON

- Remove the lower handle from the carton.
- Remove the control rod from the carton.
- Remove upper handle and packing material from the carton.
- Remove wheels, parts bag and packing material from the carton.
- Cut down all four corners of the carton.

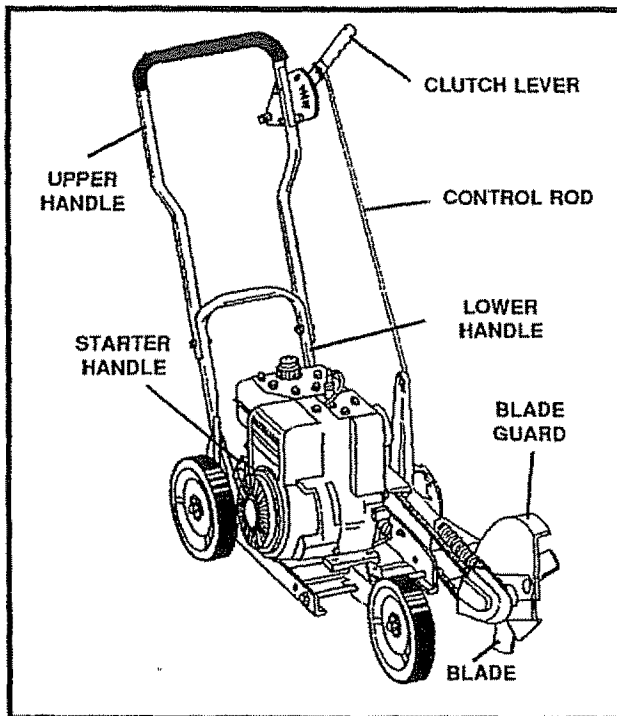


FIG. 1

TO ASSEMBLE THE EDGER/TRIMMER

NOTE: Lower handle should be attached first as it is difficult to attach lower handle with the wheels on

- Place the lower handle inside the edger/trimmer frame (See Fig. 3A) and secure in place with four (4) 5/16-18 x 5/8 inch hex head wide flange screws and four (4) 5/16-18 hex head locknuts (found in parts bag).

- Attach the right rear wheel to the wheel support rod of the edger/trimmer (See Fig. 2A) with a 1/2 x 3/4 inch flatwasher and cotter pin (found in parts bag).
- Attach the left rear wheel to the edger/trimmer (See Fig. 2B) with a 3/8-16 x 1.40 inch shoulder bolt, spacer (.70 inch long) and 3/8-16 wide flange locknut (found in parts bag).

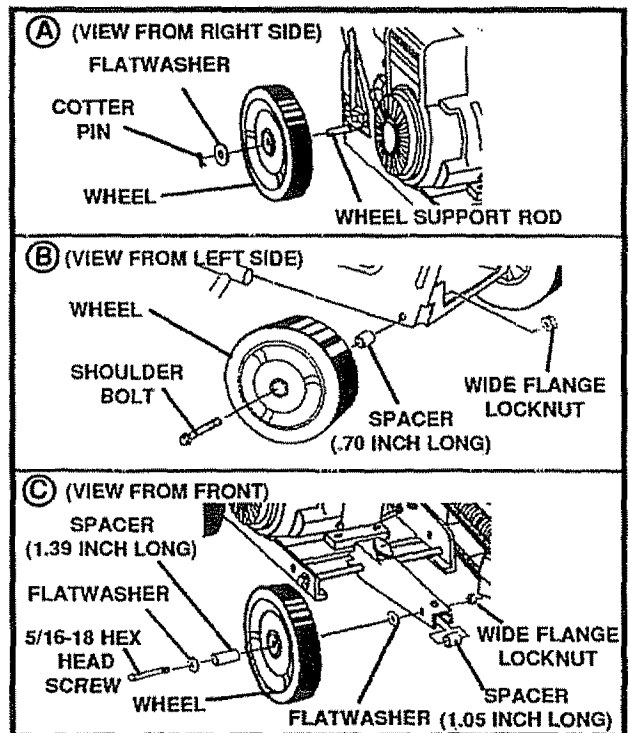


FIG. 2

- Attach the front wheel to the edger/trimmer (See Fig. 2C) with a 5/16-18 x 3-1/2 inch hex head screw, two (2) 11/32 X 11/16 inch flatwashers, one (1) spacer (1.05 inch long), one (1) spacer (1.39 inch long) and a 5/16-18 hex locknut (found in parts bag).

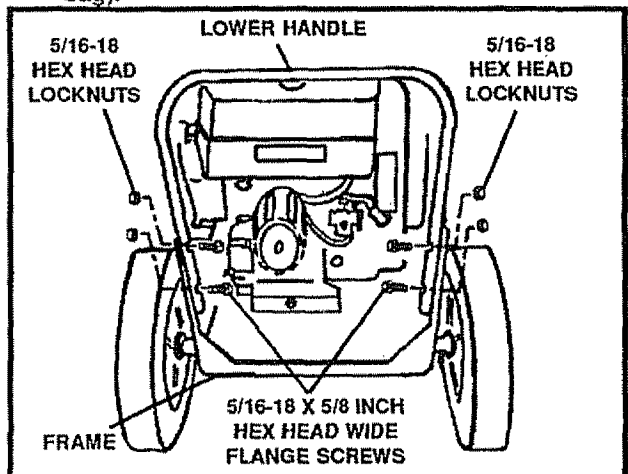


FIG. 3A

ASSEMBLY

- Place the upper handle on the lower handle as shown in Fig. 3B. Align holes in the upper handle with the top set of holes in the lower handle and secure in place with two (2) 5/16-18 x 1-1/2 inch hex head screws and two (2) 5/16-18 hex head locknuts (found in parts bag)

NOTE: Clutch lever is on the left hand side of the upper handle when properly installed.

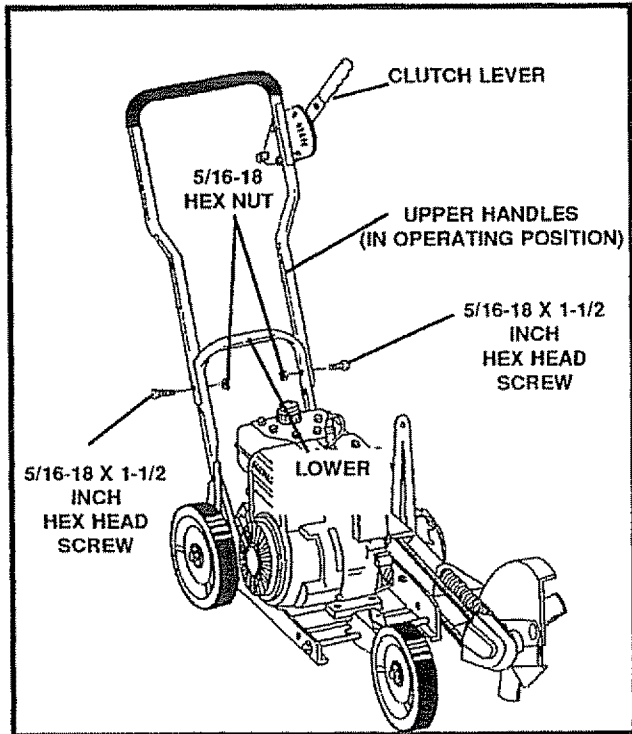


FIG. 3B

- Insert one end of the control rod from left to right through the hole in the clutch lever (See Fig 4) and attach with a hair pin (found in the parts bag)
- Place the clutch lever in the first depth selection (See Fig. 4) and insert the other end of the control rod through the hole in the quill support arm (See Fig. 4) Attach with hairpin (found in parts bag)
- Move the clutch lever to the rearmost (NEUTRAL) position and latch in. See note below

NOTE: If it is difficult to get the clutch lever into NEUTRAL, it may be necessary to loosen the four screws and nuts holding the lower handle to the frame (See Fig 5). Pry up (forward) on the handle only enough to allow the clutch lever to freely enter the NEUTRAL position. Retighten nuts and screws. When the clutch lever is in NEUTRAL the Quill Support Arm should be within 1/4 inch of the spacer and screw behind it (See Fig 4 inset)

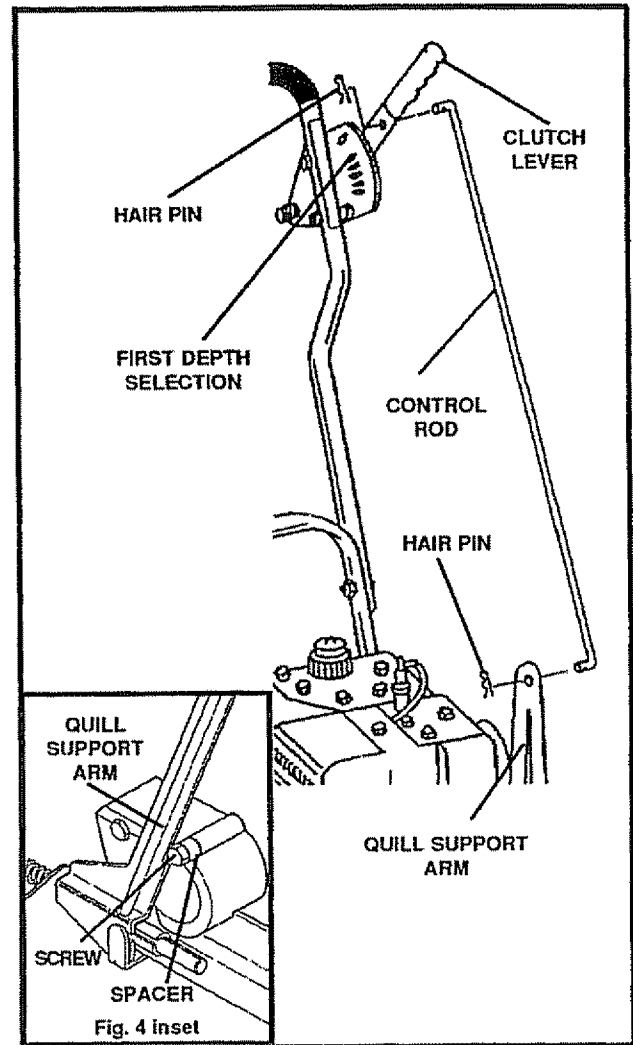


FIG. 4

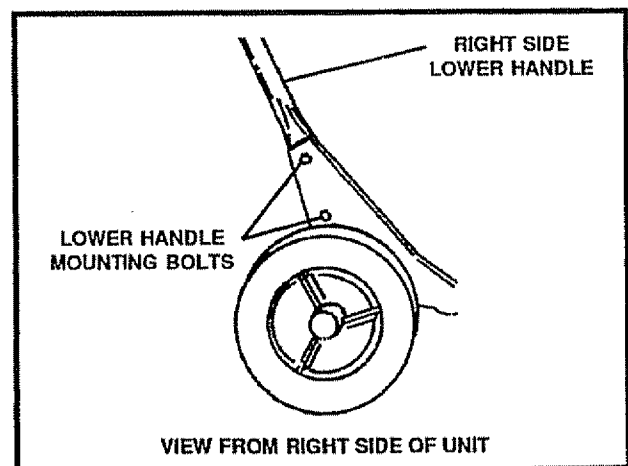


FIG. 5

OPERATION

KNOW YOUR EDGER/TRIMMER

READ THIS OWNER'S MANUAL AND SAFETY RULES BEFORE OPERATING YOUR EDGER/TRIMMER. Compare the illustrations with your edger/trimmer to familiarize yourself with the location of various controls and adjustments. Save this manual for future reference

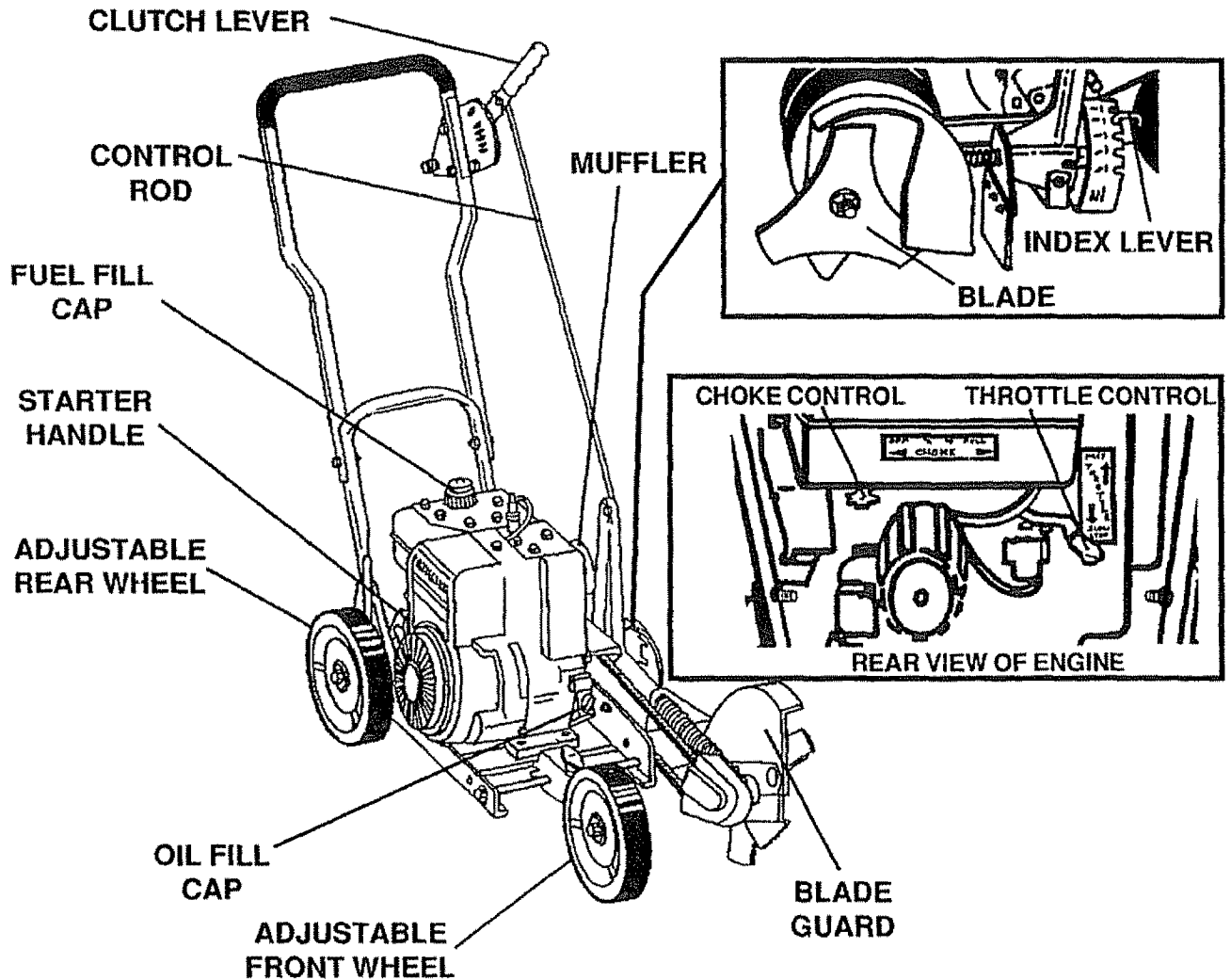


FIG. 6

THROTTLE CONTROL - Used to control the engine speed.

CHOKE CONTROL - Used to start the engine

STARTER HANDLE - The engine on this edger/trimmer is equipped with an easy pull recoil starter

CLUTCH LEVER - Used to start and stop the blade and control the depth of cut.

INDEX LEVER - Permits adjustment from the edging (vertical) position to trimming (horizontal) position. To change position, pull the index lever and rotate the quill assembly to the desired angle or position.

BLADE GUARD - Used to prevent stones or other material from being thrown at the operator.

ADJUSTABLE FRONT WHEEL - Front wheel is adjustable from side-to-side for balance. Also, can be adjusted down for curb-hopping (to level edger/trimmer when edging along a curb).

ADJUSTABLE REAR WHEEL - Right rear wheel is adjustable for curb-hopping (to level edger/trimmer when edging along a curb).

OPERATION



The operation of this edger/trimmer can result in foreign objects being thrown into the eyes, which can result in severe eye damage. Always wear safety glasses or eye shields while operating the edger/trimmer. We recommend standard safety glasses or Wide Vision Safety Mask for over your glasses



CAUTION: KEEP AWAY FROM THE ROTATING BLADE. THE BLADE CAN CAUSE INJURY.

FILL/ADD OIL:

The engine on this edger/trimmer was shipped with little or no oil. Add oil before you start the engine. Place the edger/trimmer on a level surface. Remove the oil fill cap (See Fig. 8). Fill the engine crankcase to point of overflowing using about 21 ounces (1-1/4 pts) of Sears SAE 10W-30 motor oil or equivalent. Reinstall the oil fill cap.

FILL GAS:



CAUTION: GASOLINE IS FLAMMABLE AND CAUTION MUST BE USED WHEN HANDLING OR STORING IT. DO NOT FILL FUEL TANK WHILE EDGER/TRIMMER IS RUNNING, HOT, OR WHEN EDGER/TRIMMER IS IN AN ENCLOSED AREA. KEEP AWAY FROM OPEN FLAME, ELECTRICAL SPARK, AND DO NOT SMOKE WHILE FILLING THE FUEL TANK. NEVER FILL FUEL TANK COMPLETELY; BUT FILL THE TANK TO WITHIN 1/4 - 1/2 INCH FROM THE TOP TO PROVIDE SPACE FOR EXPANSION OF FUEL. ALWAYS FILL FUEL TANK OUTDOORS AND USE A FUNNEL OR SPOUT TO PREVENT SPILLING. MAKE SURE TO WIPE UP ANY SPILLED FUEL BEFORE STARTING THE ENGINE.

STORE GASOLINE IN A CLEAN, APPROVED CONTAINER, AND KEEP THE CAP IN PLACE ON THE CONTAINER. KEEP GASOLINE IN A COOL, WELL VENTILATED PLACE; NEVER IN THE HOUSE. NEVER BUY MORE THAN A 30 DAY SUPPLY OF GASOLINE TO ASSURE VOLATILITY. GASOLINE IS INTENDED TO BE USED AS A FUEL FOR INTERNAL COMBUSTION ENGINES; THEREFORE, DO NOT USE GASOLINE FOR ANY OTHER PURPOSE. SINCE MANY CHILDREN LIKE THE SMELL OF GASOLINE, KEEP IT OUT OF THEIR REACH BECAUSE THE FUMES ARE DANGEROUS TO INHALE, AS WELL AS BEING EXPLOSIVE.

Fill the fuel tank (See Fig. 7) with clean, fresh, unleaded grade automotive gasoline. Be sure that the container you pour the gasoline from is clean and free from dust or other foreign particles. Never use gasoline that may be stale from long periods of storage in the container.

Never use engine or carburetor cleaner products in the fuel tank or permanent damage may occur. You may use a gasoline stabilizer for extended storage (see the **Engine Storage** paragraph in the **Storage** section of this manual).

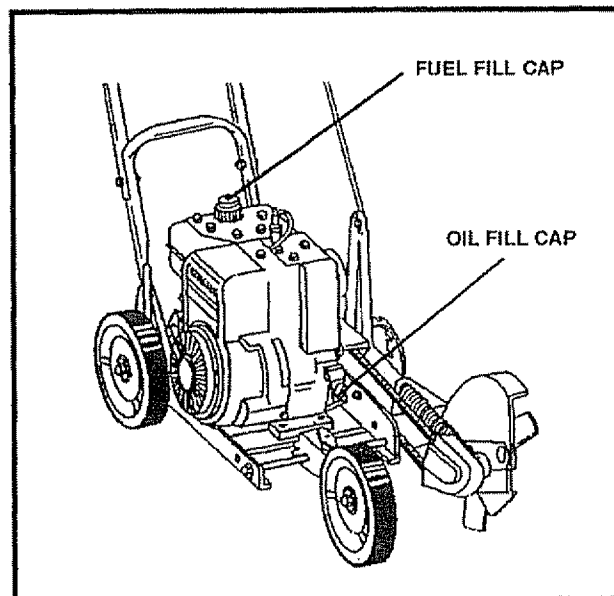


FIG. 7



CAUTION: NEVER FILL THE GAS TANK WHILE THE ENGINE IS RUNNING OR HOT. IMMEDIATELY WIPE OFF ANY SPILLED GASOLINE BEFORE ATTEMPTING TO START THE ENGINE.

OPERATION

PRE-USE CHECK OF CONTROLS

All controls should be checked for proper function before servicing or starting the engine

- Move the clutch lever to all six (6) positions in the selector plate. Make sure the clutch lever snaps into all six (6) holes (See Fig. 6).
- Move the index lever to all six notches in the index plate (See Fig. 6).
- Return the clutch lever to the rearmost hole in the selector plate and return the index lever to the vertical (deeper notch) position.

TO START THE ENGINE

Before starting the engine, be sure you have read and understood all the instructions on the preceding pages. The edger/trimmer is equipped with a recoil starter. The operation of the engine is controlled by the throttle and choke control levers.

- Pull the clutch lever all the way back (or up) to the rearmost hole to raise and disengage the blade.
- Move the throttle control lever (See Fig. 6) to the RUN position.
- Move the choke control lever (See Fig. 6) to the FULL choke position.

NOTE: A warm engine should not need to be choked

- To start engine, grasp the starter handle firmly with your right hand.
- Hold the upper handle firmly with your left hand
- Pull up sharply on the recoil starter handle. DO NOT allow the starter rope to snap back, let it rewind slowly while holding the starter handle.

NOTE: It will take a few pulls on the starter handle to feed gas from the fuel tank to the carburetor



CAUTION: NEVER RUN THE ENGINE INDOORS OR IN A POORLY VENTILATED AREA. ENGINE EXHAUST CONTAINS CARBON MONOXIDE, AN ODORLESS GAS AND DEADLY GAS.

KEEP HANDS, FEET, HAIR AND LOOSE CLOTHING AWAY FROM ANY MOVING PARTS ON THE ENGINE OR EDGER/TRIMMER.

WARNING - AVOID THE MUFFLER AND SURROUNDING AREAS (SEE FIG. 6). TEMPERATURES MAY EXCEED 150° F.

- When the engine starts, move the choke control to the OFF speed position. To increase the engine speed, push the throttle control lever up. To decrease the engine speed pull the throttle control down

NOTE: The cutting blade speed is controlled by the engine speed. To reduce the cutting blade speed, push down on the throttle control lever. To increase the blade speed, push up on the throttle control lever.

- To stop the engine, make sure the clutch lever is all the way back (or up) and move the throttle control lever to the STOP position.



CAUTION: NEVER LEAVE THE EDGER/TRIMMER UNATTENDED WHILE THE ENGINE IS RUNNING. ALWAYS DISENGAGE THE CUTTING BLADE AND STOP THE ENGINE.

EDGING OPERATION

- Start the engine and move the clutch lever forward (or down) to engage the cutting blade
- Select the edging depth you need. There are 5 selections up to 2-3/4 inches deep

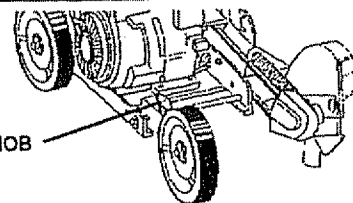
IMPORTANT: IF VERY DEEP EDGING IS REQUIRED, WE RECOMMEND THAT A SHALLOW CUT BE MADE FIRST, THEN CUTS AT GREATER DEPTHS UNTIL THE DESIRED DEPTH IS OBTAINED.

TRIMMING OPERATION

- Stop the engine and disconnect the spark plug wire from the spark plug
- Loosen the tee knob (See Fig. 8) on the front wheel arm and slide the wheel all the way to the right side
- Tighten the tee knob securely.



CAUTION: THE FRONT WHEEL MUST BE IN THE EXTREME RIGHT POSITION TO PREVENT THE BLADE FROM STRIKING WHEEL WHILE IN TRIMMING POSITION.



TEE KNOB

FRONT WHEEL SHOWN ALL THE WAY TO THE RIGHT

FIG. 8

OPERATION

- Pull the index lever out of its notch (See Fig 9) and position it in the notch marked "90".
- Reconnect the spark plug wire and start the engine. Move the clutch lever to the desired trimming height

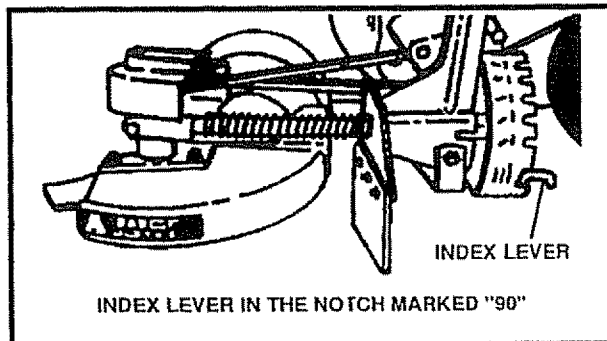
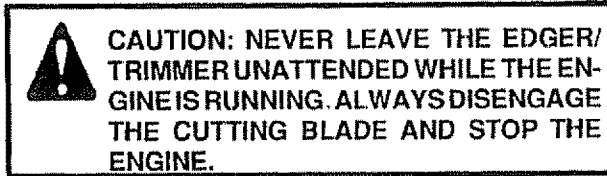


FIG. 9

CURB-HOPPING OPERATION

The adjustable front and right rear wheel feature permit the edger/trimmer to be used on an uneven surface (such as a curb) as shown in Fig 10

- Stop the engine and disconnect the spark plug wire from the spark plug
- Loosen the tee knob on the front wheel arm enough to release the notch on the arm from the front of the main frame.
- Lower the front wheel to a position that places the edger/trimmer level with the left rear wheel on the uneven (curb) surface
- Be sure that a notch on the rear of the front wheel arm engages the front edge of the main frame and the wheel is pushed all the way to the right side. Tighten the tee knob securely
- Loosen the tee knob on the inside right rear of the main frame that secures the wheel support rod (See Fig. 10)
- Slide the rear wheel down until the edger is level when the left wheel is on the curb
- Tighten the tee knob securely.
- Reconnect the spark plug wire and start the engine. The depth of cut adjustment is the same as described in **Edging Operation** paragraph

KEEP THE EDGER/TRIMMER CLEAN

Always remove the dirt and debris from the edger/trimmer after each use. Check for loose or damaged parts after each use. Tighten any loose fasteners. Check the controls often to make sure they are functioning properly. See the **Pre-Use Check of Controls** paragraph in the **Operation** section of this manual.

If any adjustments are required, see the **Adjustments/Repairs** section of this manual. If any parts are worn or damaged, replace immediately. Contact the nearest SEARS Store or Service Center for proper original parts, as shown in the **Repairs Parts** section of this manual. Make repairs as instructed in the **Adjustments/Repairs** section of this manual.

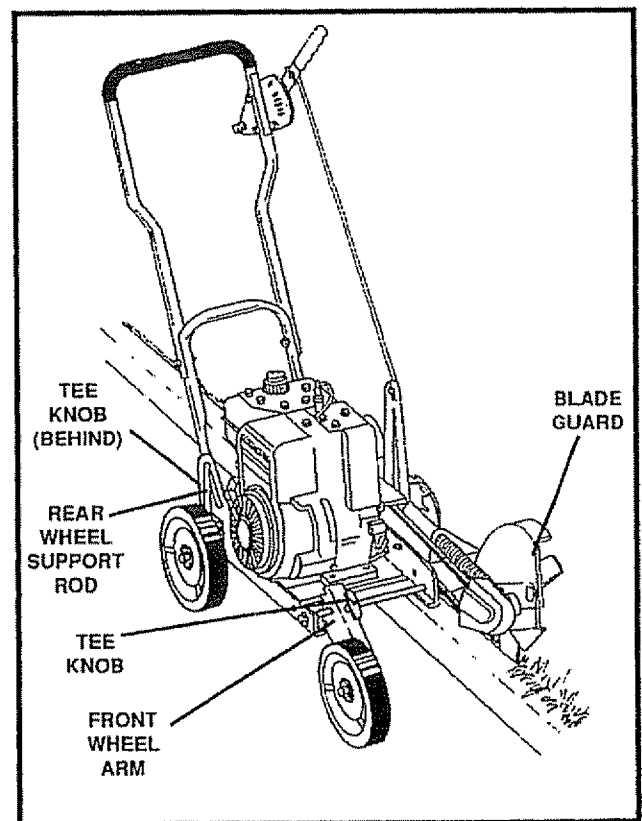


FIG. 10

CUSTOMER RESPONSIBILITIES

The warranty on this edger/trimmer does not cover items that have been subjected to operator abuse or negligence. To receive full value from the warranty, the operator must maintain the edger/trimmer as instructed

in this manual. The following Maintenance Check List is supplied to assist the operator properly maintain the edger/trimmer.

MAINTENANCE CHECK LIST		SERVICE RECORD												
		FILL IN DATES AS YOU COMPLETE REGULAR SERVICE												
BEFORE STORAGE														
BEGINNING EACH SEASON														
EVERY 25 HOURS OF USE														
EVERY 10 HOURS OF USE														
EVERY 5 HOURS OF USE														
FREQUENTLY														
BEFORE EACH USE														
AFTER FIRST 2 HOURS OF USE														
Check Engine Oil Level														
Change Engine Oil														
Tighten All Screws and Nuts														
Check Blade Wear/Damage														
Replace Air Cleaner Filter														
Check Spark Plug														
Check Drive Belt														
Lubricate all Pivot Points														
Lubricate Wheel Axles														

LUBRICATION

- Apply light machine oil after each 25 hours of use to all moving parts, particularly the wheels.
- The oil in the crankcase must be changed after the first 2 hours of operation and after each 25 hours of use thereafter.

NOTE: If the edger/trimmer is being used in sandy or dusty areas, change the oil more frequently to prevent premature engine wear.

To change the crankcase oil:

- Disconnect the spark plug wire from the spark plug
- Remove the oil drain plug (See Fig. 11) and drain the oil into a flat pan. After draining all the oil, reinstall the oil drain securely.

NOTE: The oil will drain more freely when the engine is warm.

- Remove the oil fill cap (See Fig. 6), and fill the crankcase to the point of overflowing, using about 1-1/4 pints of Sears SAE 10-W30 motor oil or

equivalent Sears SAE 30 motor oil or equivalent may be used as an acceptable substitute. Reinstall the oil fill cap and tighten securely.

NOTE: The quill assembly bearings are factory sealed and will require no lubrication.

- Reconnect the spark plug wire on the spark plug.

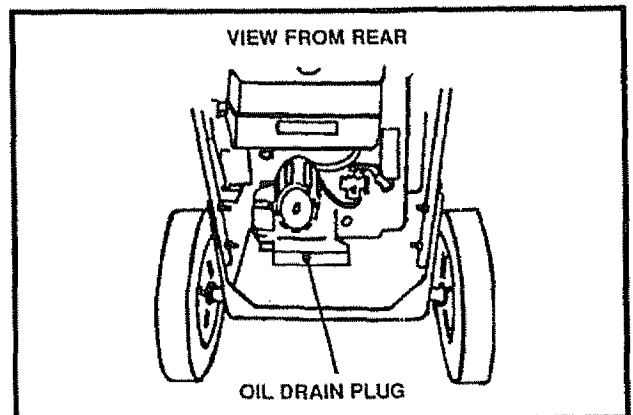


FIG. 11

CUSTOMER RESPONSIBILITIES

AIR CLEANER MAINTENANCE

Replace the filter once a year; more often under dusty or dirty conditions. **DO NOT** attempt to clean or oil the air filter.

To install a new air filter, do the following:

- Disconnect the spark plug wire from the spark plug. Turn the cover (See Fig. 9) to the left (counterclockwise) and remove the cover and the air filter from the flange.
- Discard the air filter.
- Clean the cover and the flange thoroughly.
- Insert the new air filter into the cover.
- Push the cover firmly against the flange and turn it to the right (clockwise) as far as it will go (See Fig. 12). Be sure the retainers are locked around the flange.
- Reconnect the spark plug wire.



CAUTION: NEVER RUN THE ENGINE WITHOUT THE AIR CLEANER ELEMENT INSTALLED. A DEFECTIVE AIR CLEANER CAN RESULT IN LOSS OF ENGINE POWER AND CAN CAUSE EXCESSIVE WEAR OR DAMAGE TO THE ENGINE COMPONENTS IF DIRT OR DUST IS PERMITTED TO ENTER THE ENGINE THROUGH THE CARBURETOR. A DAMAGED AIR CLEANER, OR ONE THAT IS CLOGGED WITH DUST OR DIRT SHOULD BE REPLACED IMMEDIATELY.

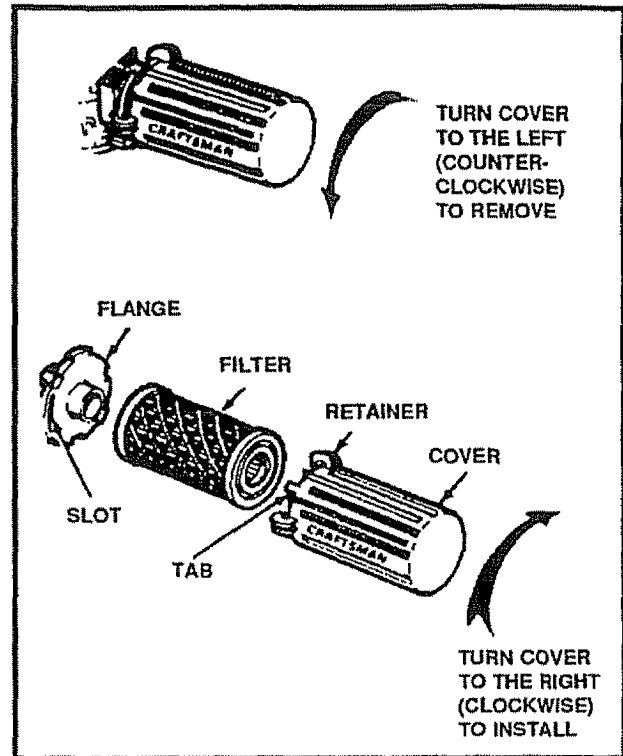


FIG. 12

SPARK PLUG MAINTENANCE

Clean the spark plug and reset the gap periodically. Clean the area around the spark plug base, before removal, to prevent dirt from entering into the engine. Replace the spark plug if the electrodes are pitted or burned or if the porcelain is cracked. Clean the spark plug by carefully scraping the electrodes (do not sand blast or use a wire brush). Be sure the spark plug is clean and free of foreign material. Check the electrodes gap with a wire feeler gauge and reset to .035 if necessary. If a new spark plug is needed, refer to the **Engine Operation and Maintenance** manual for the proper replacement spark plug.

Before reinstalling the spark plug, coat the threads lightly with graphite or light oil to insure easy installation and removal. Tighten the spark plug firmly into the engine. If a torque wrench is available, torque the spark plug to 15 foot-pounds.

SERVICE AND ADJUSTMENTS



CAUTION: ALWAYS STOP THE ENGINE AND DISCONNECT THE SPARK PLUG WIRE BEFORE MAKING ANY REPAIRS TO THE EDGER/TRIMMER.



CAUTION: DO NOT ATTEMPT TO SHARPEN THIS BLADE. YOU COULD CAUSE DAMAGE TO THE BLADE WHICH COULD RESULT IN BREAKAGE AND POSSIBLE USER OR BYSTANDER INJURY.

V-BELT REPLACEMENT

Your edger/trimmer is equipped with a V-belt made of a special compound. If the belt becomes worn or breaks, replace it with an **original equipment belt** as shown in the **Repair Parts** section of this manual **NEVER USE A SUBSTITUTE.**

- Disconnect the spark plug wire from the spark plug
- Pull the clutch lever back (or up) to release the tension from the belt.
- Remove the two top screws from the engine pulley cover (See Fig 10) and remove the cover.

NOTE: Make sure you do not lose the spacer on the rear screw.

- Remove the front screw securing the belt guide (See Fig 10) to the engine. Then loosen the rear screw and swing the belt guide away from the belt.
- Remove the three (3) screws from the front belt guard (See Fig 11).
- Remove the belt from the engine and quill assembly pulleys and install the new belt.
- Install and secure front belt guard
- Secure the belt guide loosened earlier
- Reinstall the engine pulley cover and reconnect the spark plug wire

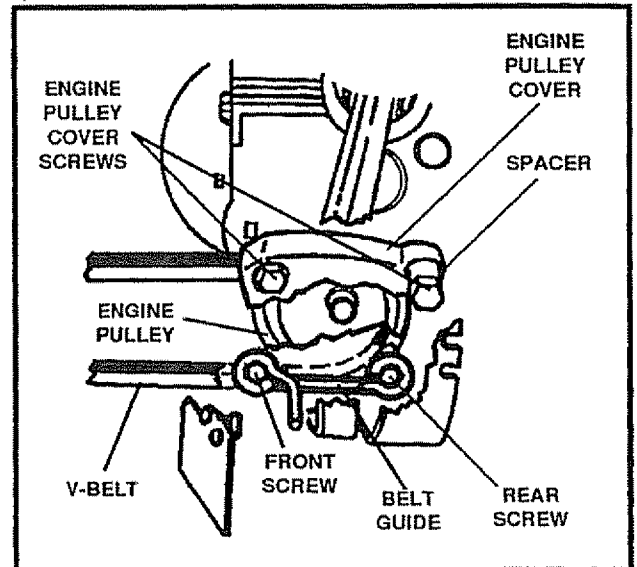


FIG. 10

BLADE REPLACEMENT

The cutting blade is subject to wear and damage such as nicks and dents. This will not generally affect its function.

This blade is specially designed to not require sharpening. **DO NOT ATTEMPT TO SHARPEN THIS BLADE.** The blade is reversible. If the nicks and dents are excessive, remove the blade, turn it around and reinstall. This will provide a fresh cutting edge. If worn or damaged the blade should be replaced.



CAUTION: WHEN REMOVING OR TIGHTENING THE BLADE NUT, ALWAYS USE THE METHOD SHOWN IN FIGURE 12. THE HOLDING WRENCH MUST ALWAYS BE POSITIONED ON THE NUT BEHIND THE CUTTING BLADE.

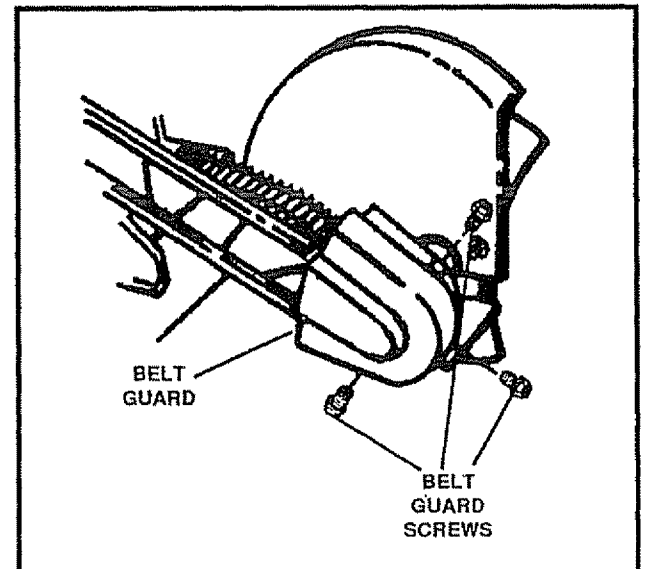


FIG. 11

SERVICE AND ADJUSTMENTS

To replace the blade, do the following:

- Disconnect the spark plug wire
- Remove the hex locknut and flatwasher (See Fig 12) securing the blade to the drive shaft.
- Remove the blade.
- Install the new blade, flatwasher and locknut Torque nut to 35 foot lbs.
- Reconnect the spark plug wire

CARBURETOR ADJUSTMENT

IMPORTANT NEVER ATTEMPT TO CHANGE THE MAXIMUM ENGINE SPEED. EXCESSIVE SPEEDS CAUSED BY BY-PASSING THE GOVERNOR CAN CAUSE DAMAGE TO THE ENGINE.

Never make unnecessary adjustments to the carburetor. The carburetor was set at the factory to operate efficiently for most applications. However, if adjustments are required, we recommend that you contact a competent repairman such as at a Sears Service Center. If you feel that you are competent to make the carburetor adjustments, do the following:

- Turn the high-speed adjustment needle (See Fig. 13) clockwise to "finger tight" only. Use a regular screwdriver to turn the idle speed adjustment needle clockwise.

IMPORTANT. THE NEEDLES AND/OR SEATS CAN BE DAMAGED IF OVERTIGHTENED



CAUTION: USE EXTREME CARE WHEN MAKING ADJUSTMENTS THAT REQUIRE THE ENGINE TO BE RUNNING. KEEP HANDS, FEET, HAIR AND LOOSE CLOTHING AWAY FROM ANY MOVING PART.

- Turn the high-speed and the idle-speed adjustment needles counterclockwise one (1) turn. This adjustment will allow the engine to be started.
- Start the engine and move the throttle control lever to FAST position and allow the engine to warm up.
- Turn the high-speed adjustment needle counterclockwise until the engine starts to cut off. Note the position of the high-speed adjustment needle.
- Turn the high-speed adjustment needle clockwise until the engine starts to cut off. Note the position of the high-speed adjustment needle.
- Turn the high-speed adjustment needle half way between the two cut off points.
- Move the throttle control lever to the idle speed

- Adjust the idle-speed adjustment needle in the same manner as the high-speed adjustment needle

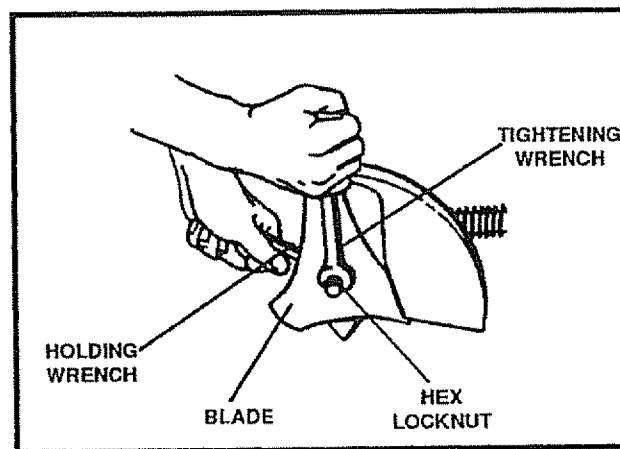


FIG. 12

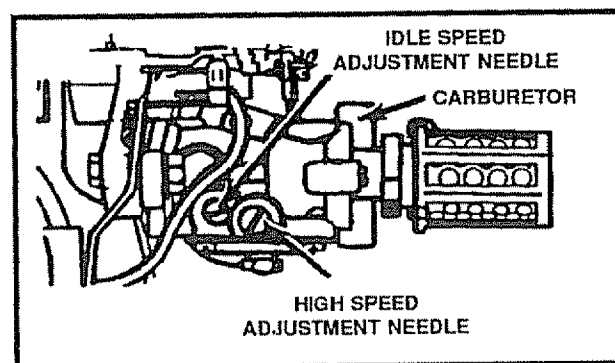


FIG. 13

TROUBLE SHOOTING

TROUBLE	CAUSE	CORRECTION
Difficult starting	Stale fuel	Drain fuel tank. Fill with fresh fuel.
	Defective spark plug	Clean and re-gap spark plug.
Engine runs erratically	Clogged fuel filter	Replace fuel filter
	Blocked fuel line or empty fuel tank	Clean fuel line; check gas tank.
	Carburetor out of adjustment	Have carburetor adjusted.
	Fouled spark plug	Clean and adjust gap
	Clogged air cleaner	Tap clean or replace air cleaner
Cutting blade fails to turn	Jammed due to foreign object	Clear obstruction.
	Loose blade	Tighten blade retaining nut
	Defective V-belt	Replace the V-belt.
	Defective quill bearings	Replace the bearings.
Blade fails to cut properly	Damaged or worn blade	Reverse blade or replace blade.
Excessive vibration	Loose parts	Stop engine immediately, tighten all bolts. If vibration continues, take the unit into the nearest SEARS Service Center.



STORAGE



CAUTION: NEVER STORE YOUR EDGER/TRIMMER INDOORS OR IN AN ENCLOSED, POORLY VENTILATED AREA IF GASOLINE REMAINS IN THE TANK. FUMES MAY REACH AN OPEN FLAME, SPARK OR PILOT LIGHT FROM A FURNACE, WATER HEATER, CLOTHES DRYER, CIGARETTE, ETC.

To prevent engine damage (if edger/trimmer is not used for more than 30 days) follow the steps below.

ENGINE STORAGE

Gasoline must be removed or treated to prevent gum deposits from forming in the tank, filter, hose, and carburetor during storage. Also during storage, alcohol blended gasoline that uses ethanol or methanol (sometimes called gasohol) attracts water. It acts on the gasoline to form acids which damage the engine.

- To remove gasoline, run the engine until the tank is empty and the engine stops
- If you do not want to remove gasoline, a fuel stabilizer (such as Sears Craftsman fuel stabilizer No. 33500) may be added to any gasoline left in the tank to minimize gum deposits and acids. If the tank is almost empty, mix stabilizer with fresh gasoline in a separate container and add some to the tank. **ALWAYS FOLLOW INSTRUCTIONS ON STABILIZER CONTAINER. THEN RUN ENGINE AT LEAST 10 MINUTES AFTER STABILIZER IS ADDED TO ALLOW MIXTURE TO REACH CARBURETOR. STORE EDGER/TRIMMER IN A SAFE PLACE. SEE WARNING ABOVE.**
- Store the edger/trimmer in the wheels-down, operating position. If the edger/trimmer is stored in any other position, oil from the crankcase could enter the cylinder, causing a service problem.

You can keep your engine in good operating condition during storage by:

- Changing oil
- Lubricating the piston/cylinder area. This can be done by first removing the spark plug and squirting clean engine oil into the spark plug hole. Then cover the spark plug hole with a rag to absorb oil spray. Next, rotate the engine by pulling the starter two or three times. Finally, reinstall spark plug and attach spark plug wire.

EDGER/TRIMMER STORAGE

Clean the edger/trimmer thoroughly; remove all debris and wipe the unit dry.

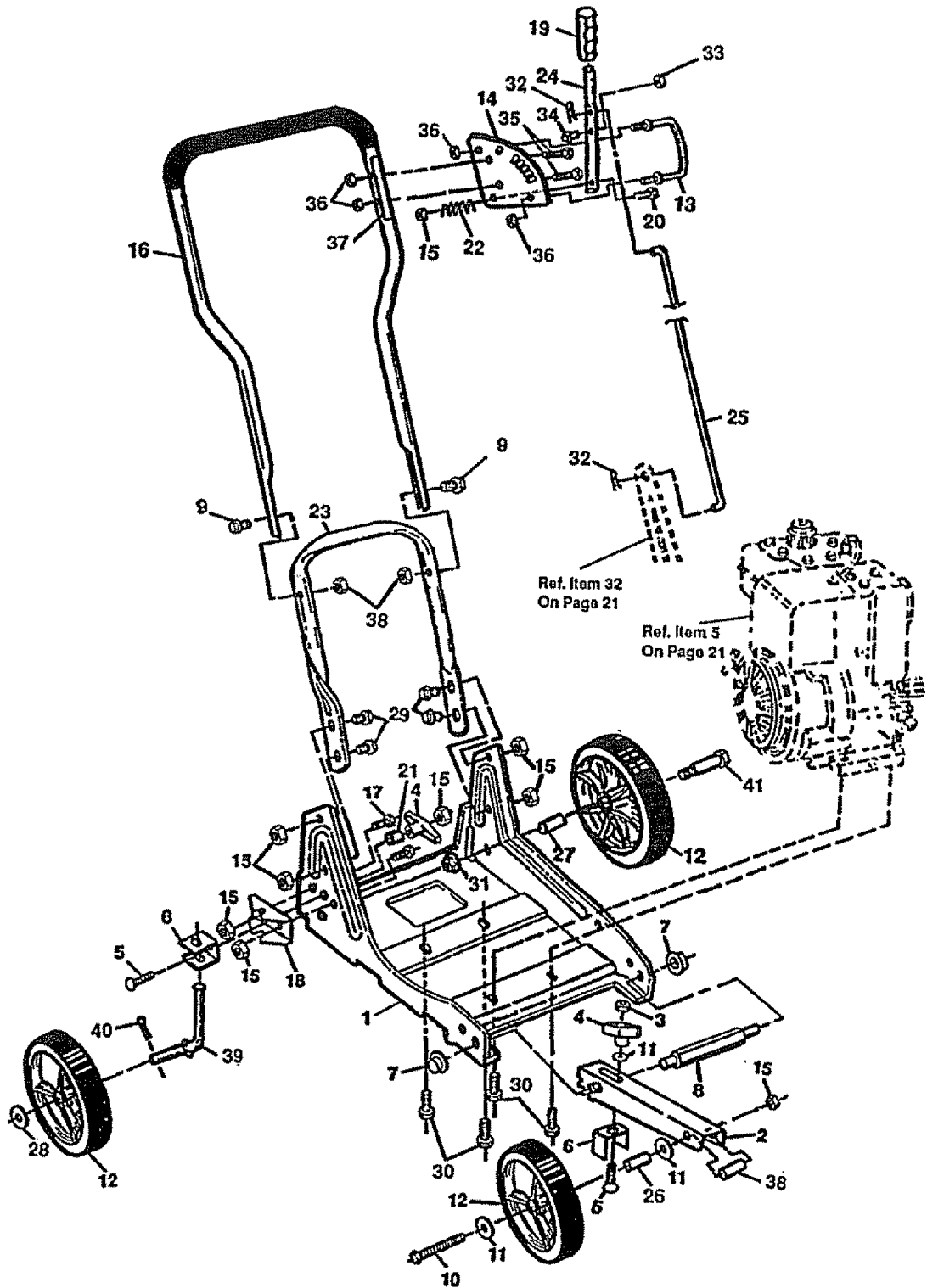
Inspect the edger/trimmer for worn or damaged parts and tighten all loose hardware.

Oil all points described in the **Lubrication** paragraph in the **Maintenance** section of this manual.

Store the edger/trimmer in a protected area and cover for additional protection.

IMPORTANT: A YEARLY CHECKUP OR TUNEUP BY A SEARS SERVICE CENTER IS A GOOD WAY OF ENSURING THAT YOUR EDGER/TRIMMER WILL PROVIDE MAXIMUM PERFORMANCE FOR THE NEXT SEASON.

CRAFTSMAN 9" - 3.0 H.P. EDGER/TRIMMER 536.797561



NOTE: ALWAYS USE ORIGINAL EQUIPMENT PARTS Use of service/replacement parts other than original parts may void your warranty

ALL UNNUMBERED ITEMS ARE INTERCHANGEABLE WITH OPPOSITE SIDE

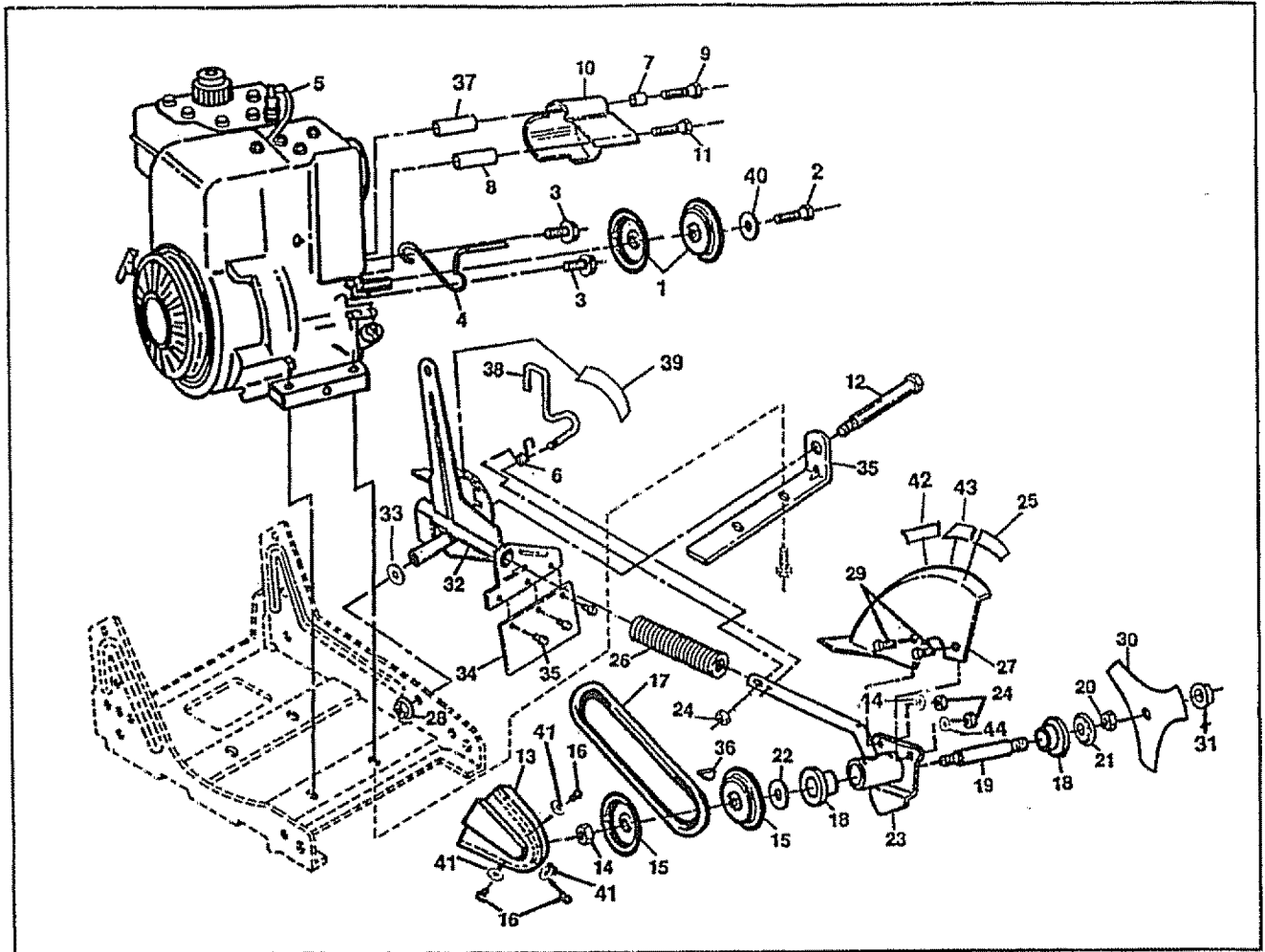


CRAFTSMAN 9" - 3.0 H.P. EDGER/TRIMMER 536.797561

REF. NO.	PART NO.	PART NAME	REF. NO.	PART NO.	PART NAME
1	323534-854	Edger Frame	31	45171	Nut, Hx Wd Fl Lock 3/8-16 Thd
2	6852	Arm, Front Wheel Support	32	36368	Hairpin
3	120376	* Nut, 5/16-18 Reg Hex	33	1499	* Nut, Hex 3/8-16 Thd
4	57171	Plastic T-Knob	34	310053	Stud
5	120230	* Carriage Bolt, 5/16-18 x 1-1/4 In	35	121913	Screw, 1/4-20 x 1-1/4 In.
6	8082	Clevis	36	1502	* Nut, Lock 1/4-20 Thd.
7	51615	* Pushnut Washer	37	312548	Decal Height Adjust
8	51376	Pivot Rod	38	51888	Spacer
9	122027	Screw, 5/16-18 x 1-1/4 In.	39	310896	Wheel Support Rod
10	180735	* Screw, HHC 5/16-18 x 3-1/4 In.	40	121222	Cotter Pin
11	120393	* Flatwasher	41	310716	Shoulder Bolt, 3/8-16 Thd.
12	315197	Wheel and Tire Assembly	42	324779	Owner's Manual (Not Illustrated)
13	580330-853	Lever Strap			
14	310054	Selector Plate			
15	55273	Nut, 5/16-18 Hex Locknut			
16	310294	Upper Handle and Foam			
17	122007	* Screw, HHC 5/16-18 x 3/4 In.			
18	6842	Bracket, Curb Hopper			
19	56924	Grip, Hand Depth Adjust			
20	122027	* Screw, 5/16-18 x 1-1/4 In.			
21	45222	Spacer			
22	25644	Spring			
23	308253-853	Lower Handle			
24	310050-853	Handle, Depth Adjust			
25	580292-853	Control Rod			
26	51887	Spacer			
27	310715	Spacer			
28	2968	Washer			
29	51333	Screw, Hex Wd Fl 5/16-18 x 5/8			
30	48148	* Screw, 3/8-16 x 1 In.			

(* Standard Hardware Items - May Be Purchased Locally.

CRAFTSMAN 9" - 3.0 H.P. EDGER/TRIMMER 536.797561



REF. NO.	PART NO.	PART NAME	REF. NO.	PART NO.	PART NAME
1	314781	Pulley, Half	23	323500	Quill Arm Assembly
2	181608	Screw, 5/16-24 x 1.0 HHC	24	1498	Nut, 5/16-18 Reg Hex
3	313011	Screw and Washer Assembly	25	324860	Decal, Blade Rotation, Edger
4	320353	Retainer	26	315233	Compression Spring
5	314794	Engine, Craftsman 4 Cycle Model 143.814032	27	320222	Blade Guard
6	308155	Torsion Spring	28	1499	Nut, 5/16-18 Thd.
7	308237	Spacer	29	126211	Carriage Bolt, 5/16-18 x 5/8 In
8	53407	Spacer	30	88716	Blade
9	173030	Screw, HHC, 5/16-18 x 3-3/4 In.	31	46023	Nut, Wide Flange, 1/2-20 Thd.
10	309300	Engine Pulley Cover	32	308501	Quill Support Assembly
11	181624	Screw, HHC, 5/16-24 x 3 In	33	120396	Flatwasher, .531x1.06x.095
12	308254	Shoulder Bolt, 3/8-16 Thd	34	308243	Deflector
13	308262	Belt Guard	35	308154-854	Strap
14	274654	Locknut, Reg Hex 1/2-20 Thd	36	35075	Hi-Pro Key
15	305634	Pulley, Half	37	315095	Spacer
16	411666	Screw, Tap, #10-16 x 1/2 In	38	308466	Index Lever
17	32668	V-Belt	39	312561	Decal, Angle Indicator
18	43846	Ball Bearing	40	45602	Flatwasher
19	48697	Drive Shaft	41	1501	Flatwasher, .203 x .56 x .040
20	120371	Nut, 1/2-20 Thd	42	324476	Decal, Warning Edger Blade
21	4935	Shield Washer	43	324475	Decal, Danger Blade, Edger
22	2968	Flatwasher	44	120393	Flatwasher, .344x.69x.065

CRAFTSMAN 4 CYCLE ENGINE MODEL: 143.814032

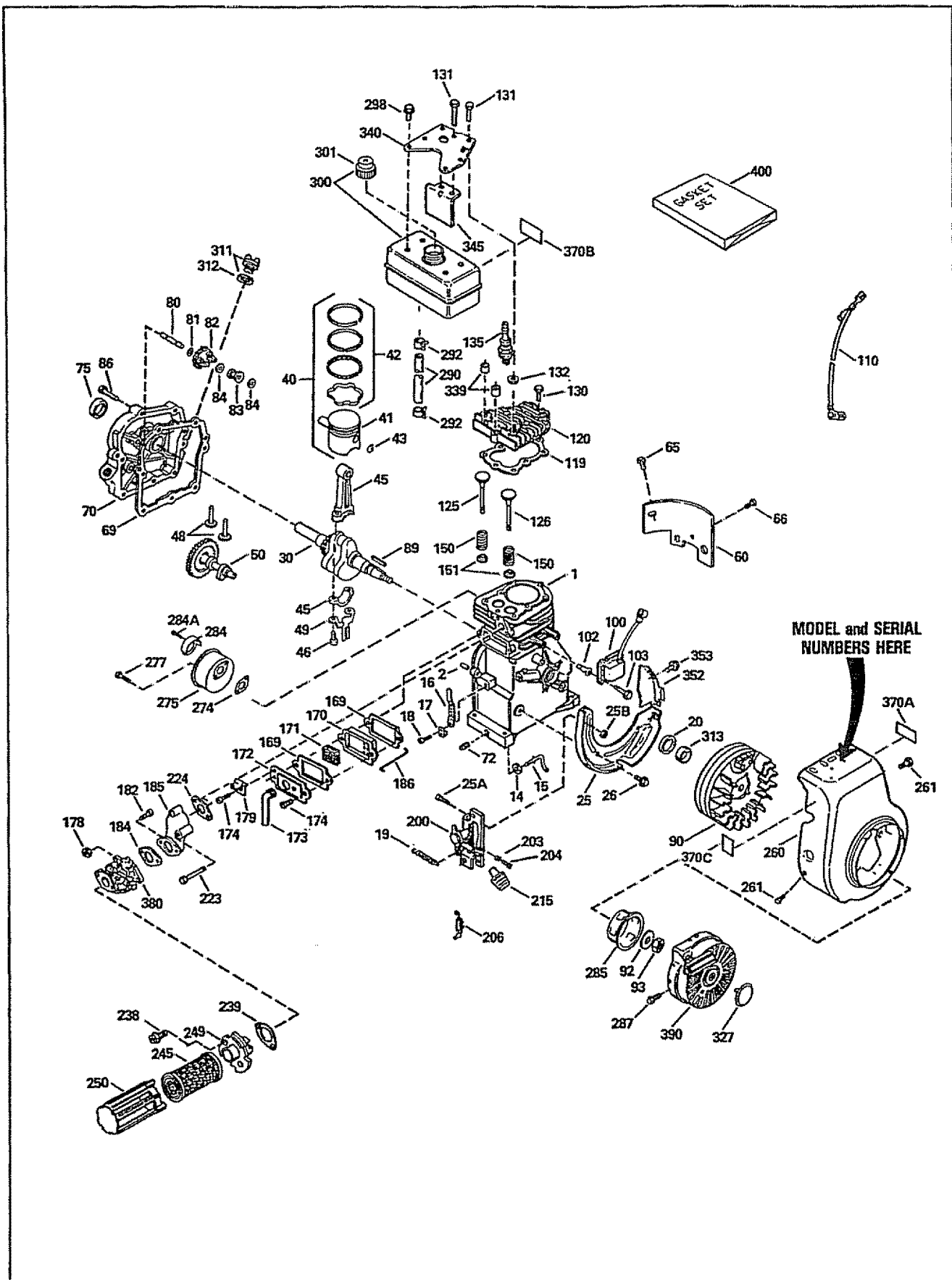
CARBURETOR NO. 632208

Ref. No.	Part No.	Part Name
	632208	Carburetor
1	631615	Shaft & Lever Assy., Throttle
2	631767	Spring, Throttle return
3	631036	Shutter, Throttle
4	650506	Screw, Throttle & Choke shutter
5	630766	Spring, Idle regulating screw
6	650417	Screw, Idle regulating
7	31841	Shaft & Lever Assy., Choke
8	630735	Spring, Choke positioning
9	630758	Shutter, Choke
10	631562	Screw, Idle adjustment
11	630738	Spring, Adjustment screw
12	630739	Washer, Adjustment screw
13	*630740	"O" Ring, Adjustment screw
14	630737	Screw, Main adjustment
15	*630748	Plug, Welch
16	632164	Fitting, Fuel
17	*630746	Plug, Welch
18	631049	Spring, Needle valve
19	630742	Gasket, Needle valve seat
20	*630932A	Inlet Needle, Seat, Gasket & Spring Assy. (Incl. Nos. 18 & 19)
21	630750	Gasket, Diaphragm
22	*630978	Diaphragm Assy., (Incl. No. 21)
23	630751	Cover, Diaphragm
24	650545	Screw, Pan flex hd., 6-32 x 3/8
25	632042	Spring, Choke return
26	631184	Washer, Flat
27	631971	Seal, Dust
28	631183	Washer, Felt
29	631893	Repair Kit (Includes items marked *)

REWIND STARTER NO. 590642A

Ref. No.	Part No.	Part Name
	590642A	Starter, Rewind
1	590599A	Pin, Spring (Incl. No. 4)
2	590600	Washer
3	590615	Retainer
4	590601	Washer
5	590598	Spring, Brake
6	590616	Dog, Starter
7	590617	Spring, Dog
8	590618	Pulley
9	590619	Spring, Rewind
10	590620	Cover, Spring
11	590643	Housing Assy., Starter
12	590535	Rope, Starter (Length 98" & 9/64" dia.)
13	590452	Handle, Starter

CRAFTSMAN 4 CYCLE ENGINE MODEL: 143.814032



CRAFTSMAN 4 CYCLE ENGINE MODEL: 143.814032

Ref. No.	Part No.	Part Name	Ref. No.	Part No.	Part Name
1	34708A	Cylinder Assy. (Incl. Nos. 2, 20 & 72)	135	33636	Plug, Spark (Champion J-8C or equivalent)
2	26727	Pin, Dowel			Spring, Valve
14	28277	Washer, Flat	150	31672	Cap, Valve spring
15	31334	Rod, Governor	151	31673	Gasket, Breather
16	31336	Lever, Governor	169	*27234A	Body, Valve cover
17	31335	Clamp, Governor lever	170	27666	Element, Breather
18	650548	Screw, Hex washer hd., 8-32 x 5/16	171	31410	Cover, Breather
19	34593	Spring, Extension	172	34146	Tube, Breather
20	32600	Seal, Oil	173	35350	Screw, Hex hd. Sems, 10-24 x 1/2
25	†33342	Baffle, Blower housing	174	650128	Nut & Lockwasher, 1/4-28
25A	†650139	Screw, Fil. hd. Sems, 8-32 x 1/2	178	29752	Clip, Ground wire
25B	†30332	Locknut, Hex "Keps", 8-32	179	30593	Screw, Hex hd., 1/4-28 x 7/8
26	650561	Screw, Hex washer hd. Durlok, 1/4-20 x 5/8	182	6201	Gasket, Carburetor
			184	*31688A	Pipe, Intake
30	35902	Crankshaft Assy.	185	34597	Link, Governor to throttle
40	34514	Piston, Pin & Ring Assy. (Std.) (Incl. Nos. 41, 42 & 43)	186	31341	Control Assy., Speed (Incl. Nos. 203 thru 206, 25A & 25B)
			200	†33858A	Spring, Compression
40	34515	Piston, Pin & Ring Assy. (.010 oversize) (Incl. Nos. 41, 42 & 43)	203	31342	Screw, Fil. hd., 5-40 x 7/16
40	34516	Piston, Pin & Ring Assy. (.020 oversize) (Incl. Nos. 41, 42 & 43)	204	650549	Terminal Assy.
			206	610973	Knob, Speed control
41	32538B	Piston & Pin Assy. (Std.) (Incl. No. 43)	215	32410	Screw, Hex hd. Sems, 1/4-20 x 1
41	32548B	Piston & Pin Assy. (.010 oversize) (Incl. No. 43)	223	650451	Gasket, Intake to cylinder
			224	*32649A	Screw, Hex washer hd. shoulder, 10-32 x 49/64
41	32549B	Piston & Pin Assy. (.020 oversize) (Incl. No. 43)	238	650932	Gasket, Air cleaner
42	28986	Ring Set, Piston (Std.)	239	34338	Filter, Air cleaner (paper)
42	28987	Ring Set, Piston (.010 oversize)	245	35066	Collar, Air cleaner
42	28988	Ring Set, Piston (.020 oversize)	249	35797	Cover, Air cleaner
43	20381	Ring, Piston pin retaining	250	35065	Housing, Blower
45	30963B	Rod Assy., Connecting (Incl. Nos. 46 & 49)	260	35585	Screw, Hex hd. Sems, 1/4-28 x 7/16
			261	29212	Gasket, Exhaust
46	32610A	Bolt, Connecting rod	274	*30081A	Muffler
48	27241	Lifter, Valve	275	30996	Screw, Hex hd. Sems, 1/4-20 x 1-3/4
49	28594	Dipper, Oil	277	650493	Cover, Muffler
50	33149A	Camshaft (Compression Release)	284	30997	Screw, Hex washer hd. thread cutting, 1/4-15 x 7/8
60	29745	Extension, Blower housing	284A	650665	Cup, Starter
65	650128	Screw, Hex hd. Sems, 10-24 x 1/2	285	34694	Screw, Hex washer hd., 8-32 x 1/2
66	650751	Screw, Hex hd. w/conical spring washer, 1/4-20 x 7/16	287	650884	Line, Fuel
			290	29774	Clamp, Fuel line
69	*27677A	Gasket, Cylinder cover	292	26460	Screw, Hex washer hd. thread cutting, 1/4-15 x 7/8
70	35863	Cover, Cylinder (Incl. Nos. 75, 80, 311 & 312)	298	650665	Tank Assy., Fuel (Incl. Nos. 292 & 301)
72	27642	Plug, Pipe (1/4-18)			Cap Assy., Fuel
75	26208	Seal, Oil	300	32660A	Plug Assy., Oil (Incl. No. 312)
80	30574	Shaft, Mechanical governor	301	33032	Gasket, Oil plug
81	30590A	Washer, Flat	311	27625	Spacer, Flywheel key
82	30591	Gear, Governor (Incl. No. 81)	312	*29673	Plug, Starter
83	30588A	Spool, Governor	313	34080	Spacer, Tank bracket
84	29193	Ring, Retaining	327	35392	Bracket, Fuel tank mounting
86	650488	Screw, Hex hd. Sems, 1/4-20 x 1-1/4	339	28212	Baffle, Heat
89	610961	Key, Flywheel	340	32661	Extension, Baffle
90	611080	Flywheel	345	32664	Screw, Hex washer hd., 8-32 x 1/2
92	650815	Washer, Belleville	352	35883	Decal, Lubrication
93	650816	Nut, Flywheel	353	650884	Decal, Choke
100	34443A	Solid State Assy.	370A	34346	Decal, Throttle
102	650872	Stud, Solid state mounting	370B	34150	Carburetor (Incl. No. 184)
103	650814	Screw, Torx T-15 hex washer hd. Sems, 10-24 x 1	370C	35344	Starter, Rewind
			380	632208	Gasket Set (Incl. items marked *)
110	35182	Wire, Ground	390	590642A	
119	29953C	Gasket, Cylinder head	400	33233A	
120	30579A	Head, Cylinder (Incl. No. 131)			RPM Setting: Low Speed: 1700-2000 High Speed: 3300-3600
125	29313C	Valve, Exhaust (Std.) (Incl. No. 151)			
125	29315C	Valve, Exhaust (1/32" oversize) (Incl. No. 151)			
126	29314B	Valve, Intake (Std.) (Incl. No. 151)			
126	29315C	Valve, Intake (1/32" oversize) (Incl. No. 151)			
130	6021A	Screw, Hex flange hd., 5/16-18 x 1-1/2			
131	650694A	Screw, Hex flange hd. 5/16-18 x 2			
132	650708	Washer, Flat			

† In original production, the speed control assembly is riveted to the blower housing baffle. Replacement speed control assembly includes screws and nuts for mounting. Replacement baffle has threaded holes.



SEARS

**OWNER'S
MANUAL**

**MODEL NO.
536.797561**

**HOW TO ORDER
REPAIR PARTS**

CRAFTSMAN®

**9 INCH -
3.0 HORSEPOWER
EDGER/TRIMMER**

Each EDGER/TRIMMER has its own MODEL NUMBER on a model plate on the frame behind the engine.

Each ENGINE has its own MODEL NUMBER found on the BLOWER HOUSING.

Always mention these MODEL NUMBERS when requesting service or Repair Parts for your EDGER/TRIMMER.

All parts may be ordered through any Sears, Roebuck and Company Service Centers and Retail Stores.

**WHEN ORDERING REPAIR PARTS, ALWAYS
GIVE THE FOLLOWING INFORMATION:**

- * PRODUCT - "EDGER/TRIMMER"
- * MODEL NUMBER - 536.797561
- * ENGINE MODEL NUMBER - 143.814032
- * PART NUMBER
- * PART DESCRIPTION

"Your Sears merchandise has added value when you consider that Sears has service units nationwide staffed with Sears trained technicians. Professional technicians specifically trained on Sears Products, having the parts, tools and equipment to insure that we meet our pledge to you. we service what we sell "

SEARS, ROEBUCK AND CO., Hoffman Estates, IL 60179

324779 08/24/92

Printed in U.S.A.