

Start Here



Serenelifehome.com/
register

serenelife[∞]™



SLPAC103W - SLPAC81 - SLPAC83W - SLPAC101
SLPACHT102 - SLPACHT82 - SLPACHT85W - SLPACHTW105W

Portable Air Conditioner

USER GUIDE

**PLEASE KEEP THIS MANUAL CAREFULLY FOR FUTURE REFERENCE.
FOR HOUSEHOLD USE ONLY.**

TABLE OF CONTENTS

FEATURES AND TECHNICAL SPECS	3
BEFORE YOU BEGIN	6
SAFETY GUIDELINES	6
OPERATIONAL PRECAUTIONS	7
SAFETY PRECAUTIONS DURING SERVICING	7
PRODUCT OVERVIEW	9
INSTALLATION	10
OPERATION	14
SETTINGS	15
WI-FI FUNCTION	17
CLEANING AND CARE	22
TROUBLESHOOTING	23
DECOMMISSIONING	24
REGISTER PRODUCT	25

- The design and specifications are subject to change without prior notice for product improvement. Consult with the sales agency or manufacturer for details.
- The shape and position of buttons and indicators may vary according to the model, but their functions are the same.

Features:

- Efficient & Powerful Cooling
- Metal Control Box for Fire & Explosion Prevention
- Rotary Compressor
- Built-in WiFi Capability (*SLPAC103W, SLPAC83W, SLPACHT85W, SLPACHTW105W*)
- Universal castors for easy movement
- Front temperature display
- Compact, freestanding design
- 3-in-1 operation: Cooling / Dehumidifier / Fan (some models include Heating)
- Hassle-free setup with plug-in operation
- Wide-area climate control coverage
- Time, temperature & fan speed adjustments
- Includes universal window mount AC exhaust kit
- Removable & washable air filter screen
- Modern matte body housing
- Energy efficient with low power consumption
- Low noise level motor
- Rolling wheels for portability
- Suitable for home, office, school, and business use

Technical Specifications

Model	Cooling Capacity (ASHRAE)	Cooling Capacity (DOE)	Heating Capacity (ASHRAE)	Coverage Area	Power Output	Air Flow (Cubic Meters/Hour)	Moisture Removal (L/H)	Noise Level	Dimensions (L x W x H)
SLPAC103W	10000 BTU/h	6000 BTU/h	N/A	330 sq. ft.	902W	350	1.2	55 dBA	11.9" x 11.4" x 27.3"
SLPAC83W	8000 BTU/h	5000 BTU/h	N/A	300 sq. ft.	770W	300	1.0	54 dBA	11.9" x 11.4" x 27.3"
SLPACHT85W	8000 BTU/h	5000 BTU/h	6500 BTU/h	300 sq. ft.	770W	300	1.0	54 dBA	11.9" x 11.4" x 27.3"
SLPACHTW105W	10000 BTU/h	6000 BTU/h	8000 BTU/h	330 sq. ft.	902W	350	1.2	55 dBA	11.9" x 11.4" x 27.3"
SLPAC81	8000 BTU/h	5000 BTU/h	N/A	300 sq. ft.	770W	300	1.0	54 dBA	11.9" x 11.4" x 27.3"
SLPAC101	10000 BTU/h	6000 BTU/h	N/A	330 sq. ft.	902W	350	1.2	55 dBA	11.9" x 11.4" x 27.3"
SLPACHT102	10000 BTU/h	6000 BTU/h	8000 BTU/h	330 sq. ft.	902W	350	1.2	55 dBA	11.9" x 11.4" x 27.3"
SLPACHT82	8000 BTU/h	5000 BTU/h	6500 BTU/h	300 sq. ft.	770W	300	1.0	54 dBA	11.9" x 11.4" x 27.3"

What's in the Box:

- AC Unit
- Exhaust Hose
- Window Installation Plate (Window Kit)
- Remote Control (Batteries Not Included)
- Hose Connector
- Drain Pipe

Additional Technical Details

- Power Supply: 115V/60Hz
- Refrigerant Type: R-32
- **Operating Temperature Range:**
Cooling: 61-95°F / **Heating (if applicable):** 41-81°F
- Control Type: Digital & Remote
- Energy Efficiency Rating (EER): Varies by model
- Construction Material: ABS Plastic and Metal
- Compressor Type: Rotary
- Filter Type: Removable & Washable Air Filter
- Exhaust Hose Length: Adjustable, up to 59 inches
- Installation Type: Freestanding with Window Kit
- Power Cord Length: Approx. 6 feet

This manual covers multiple products, some of which include WiFi functionality while others do not. If your product does not support WiFi, the following instructions may not apply. Please check your product specifications before proceeding with any WiFi setup steps.

California Prop 65 Warning

WARNING:

This product may expose you to chemicals, which is known to the state of California to cause cancer, birth defects and other reproductive harm. Do not ingest.

For more info go to: www.P65warnings.ca.gov

FCC Warnings & Precautions



Model: SLPAC83W, SLPACHT85W, SLPAC103W and SLPACHTW105W
ID: 2ANDL-WBR3

FCC Caution

This device complies with Part 15 of the FCC Rules.

Operation is subject to the following two conditions:

1. This device may not cause harmful interference.
2. This device must accept any interference received, including interference that may cause undesired operation.

Any changes or modifications not expressly approved by the party responsible for compliance could void the user's authority to operate the equipment.

Note: This equipment has been tested and found to comply with the limits for a Class B digital device pursuant to Part 15 of the FCC Rules. These limits are designed to provide reasonable protection against harmful interference in a residential installation.

This equipment generates, uses, and can radiate radio frequency energy. If not installed and used in accordance with the instructions, it may cause harmful interference to radio communications. However, there is no guarantee that interference will not occur in a particular installation. If this equipment does cause harmful interference to radio or television reception (determined by turning the equipment off and on), the user is encouraged to try to correct the interference by one or more of the following measures:

- Reorient or relocate the receiving antenna.
- Increase the separation between the equipment and the receiver.
- Connect the equipment to an outlet on a different circuit than the one the receiver is connected to.
- Consult the dealer or an experienced radio/TV technician for assistance.

IC Warning

This device complies with Industry Canada's license-exempt RSS standards.

Operation is subject to the following two conditions:

1. This device may not cause interference.
2. This device must accept any interference, including interference that may cause undesired operation.

BEFORE YOU BEGIN

PRODUCT DESCRIPTION

This portable air conditioner is an excellent cooling solution for individual rooms, offering ventilation and dehumidifying functions. It is self-contained and does not require permanent installation, making it ideal for kitchens, garages, temporary residences, and locations where installing an outdoor AC unit is impractical.

Refrigerant Information: Uses environmentally friendly R32 refrigerant, which has minimal environmental impact.

R32 is flammable, so special safety precautions are required.

SYMBOLS FROM THE UNIT AND USER MANUAL



Flammable Refrigerant Warning:

If leaked, refrigerant may ignite upon contact with flames or heat sources.



Read Before Operation: Service personnel should review this manual before performing maintenance.

SAFETY GUIDELINES

WARNING:

Failure to follow safety instructions may result in fire, injury, or damage.

- Only trained professionals should handle refrigerant repairs.
- This appliance is safe for use by children aged 8+ under supervision.
- The refrigerant system is sealed—only qualified technicians should perform repairs.
- Do not discharge refrigerant into the atmosphere.
- **If an R32 leak is suspected:**
 - Evacuate the area.
 - Ventilate the space.
- Contact emergency services before re-entering.

OPERATIONAL PRECAUTIONS

- Use a properly grounded outlet matching the unit's voltage and frequency.
- Do not use an extension cord or adapter plug.
- Always unplug the unit before cleaning or servicing.
- Keep hands dry and do not expose the unit to liquids.
- Never insert objects into vents or touch internal components.
- Keep the unit on a stable, level surface and do not tilt it.
- Avoid placing items on top of the unit or blocking ventilation.
- Store in a ventilated area away from heat sources and flammable substances.
- Only use manufacturer-approved cleaning and defrosting methods.
- Ensure proper refrigerant handling—only trained personnel should service refrigerant circuits.

SAFETY PRECAUTIONS DURING SERVICING

Follow these warnings carefully when servicing an appliance containing R32 refrigerant.

Checks to the Area: Before beginning work on systems containing flammable refrigerants, perform safety checks to minimize the risk of ignition. For repairs to the refrigeration system, adhere to the following precautions before starting work.

Work Procedure: Work should follow a controlled procedure to minimize the presence of flammable gas or vapor while servicing.

General Work Area

- All maintenance staff and individuals working nearby must be informed of the work being performed.
- Avoid working in confined spaces whenever possible.
- Section off the workspace to restrict access.
- Ensure that flammable materials are removed or controlled to create a safe working environment.

Checking for the Presence of Refrigerant

- Use a suitable refrigerant detector to check the area before and during servicing to identify any flammable atmospheres.
- Ensure leak detection equipment is designed for flammable refrigerants, meaning it is non-sparking, properly sealed, or intrinsically safe.

Fire Extinguisher Availability

- If hot work is required on the refrigeration equipment or its components, ensure a fire extinguisher is on hand.
- Keep a dry powder or CO2 fire extinguisher within reach of the work or charging area.

Avoid Ignition Sources

- No work should expose pipework containing or previously containing flammable refrigerants to ignition sources that could lead to fire or explosion.
- Eliminate potential ignition sources, including cigarettes, from the vicinity of the unit during installation, repair, removal, or disposal.
- Survey the area before starting work to ensure no flammable hazards or ignition risks are present.
- Display "No Smoking" signs prominently in the workspace.

Ventilated Area

- Conduct work in an open or well-ventilated area to ensure the safe dispersion of any released refrigerant.
- Maintain adequate ventilation throughout the service period. Ventilation should expel any refrigerant externally into the atmosphere.

Checks to the Refrigeration Equipment

- Replace electrical components only with those of the correct specification, ensuring they are fit for purpose.
- Always follow the manufacturer's maintenance and service guidelines. If uncertain, consult the manufacturer's technical support team.
- For systems using flammable refrigerants, ensure the following:
 - The refrigerant charge size complies with the room size where refrigerant-containing components are installed.
 - Ventilation machinery and outlets are functioning properly and unobstructed.
 - In indirect refrigerating systems, check the secondary circuit for refrigerant presence.
 - Equipment markings remain visible and legible; repair or replace any illegible signs.
 - Refrigeration pipes and components are located where they are unlikely to encounter substances that could cause corrosion unless they are constructed of corrosion-resistant materials or suitably protected.

Checks to Electrical Devices

- Inspect and perform safety checks on electrical components during repair or maintenance.
- If a fault compromises safety, disconnect the electrical supply until the issue is resolved.
- For urgent situations where the fault cannot be corrected immediately, implement an adequate temporary solution and inform the equipment owner to ensure all parties are aware.

Initial safety checks should include:

- Discharging capacitors safely to prevent sparking.
- Verifying that no live electrical components or wiring are exposed during charging, recovery, or purging of the system.
- Ensuring proper continuity of earth bonding.

WARNING!

- Install the unit only in rooms larger than 4 m².
- Do not install the unit in areas where flammable gas may leak.

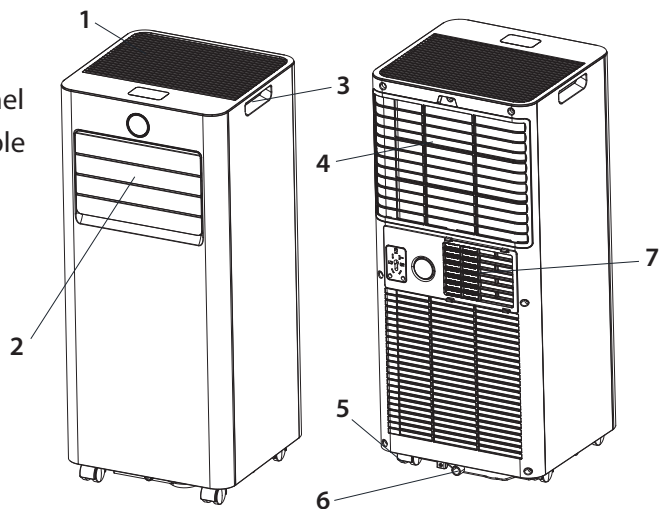
NOTE!

The manufacturer may provide additional information about refrigerant odors or other suitable examples to ensure safe handling.

PRODUCT OVERVIEW

PRODUCT DIAGRAM

1. Top Cover & Control Panel
2. Air Outlet with Adjustable Louver
3. Handle
4. Air Inlet with Air Filter
5. Caster
6. Drainage Hole
7. Air Exhaust



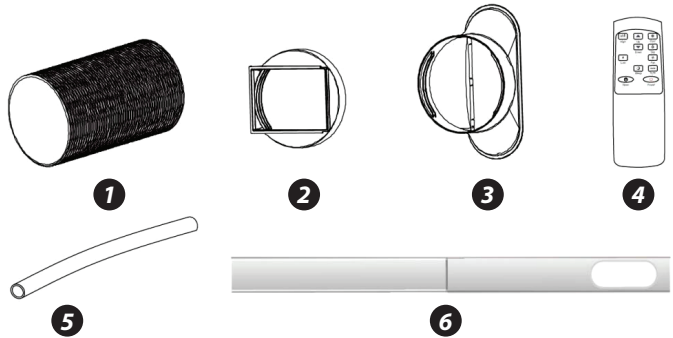
INSTALLATION

Unpacking

- Unpack the carton and carefully remove the appliance and all accessories.
- Inspect the device for any visible damage or scratches.

Included accessories:

1. Exhaust hose
2. Hose connector
3. Window kit adapter
4. Remote control
5. Water pipe
6. Window kit



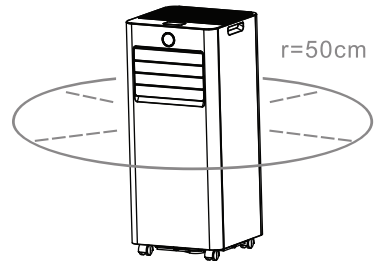
Choosing the Right Location

- If the unit has been tilted more than 45°, let it stand upright for at least 24 hours before use.



- Place on a firm, level surface with at least 20 inches (50 cm) of clearance around it for proper air circulation.

- Keep away from walls, curtains, or objects that may block the air inlet or outlet.



Do not install the unit near:

- Heat sources like radiators, stoves, or heating vents.
- Direct sunlight.
- Areas with excessive dust, poor ventilation, or mechanical vibration.
- Confined spaces such as cabinets or bookcases.
- Uneven surfaces.

WARNING! Improper placement can affect performance and safety.

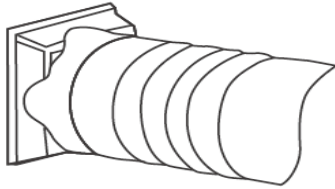
NOTE: *The manufacturer may provide additional information about refrigerant odors or specific examples of safe usage.*

Attaching the Exhaust Hose

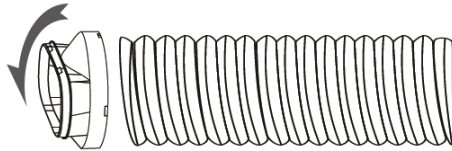
To ensure proper ventilation, the air conditioner must be vented outside to expel waste heat and moisture. Do not replace or extend the exhaust hose, as this may reduce efficiency or cause the unit to shut down due to low back pressure.

Steps:

1. **Connect the Hose Connector:** Attach the hose connector to one end of the exhaust hose.



2. **Attach the Window Kit Adapter:** Connect the window kit adapter to the other end of the exhaust hose.



3. **Install the Window Kit:**

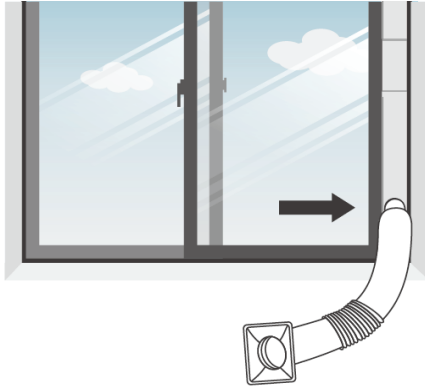
- Extend the adjustable window kit to fit your window.
- Securely connect the exhaust hose to the window kit.



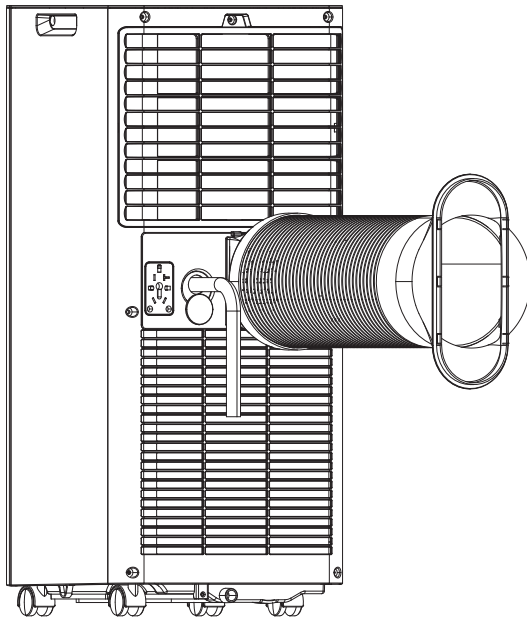
Attaching the Exhaust Hose

4. Secure the Window Kit:

- Close the window to keep the kit in place.
- Use duct tape to firmly secure the window kit if needed.
- Ensure all gaps between the adapter and window sides are sealed for optimal efficiency.

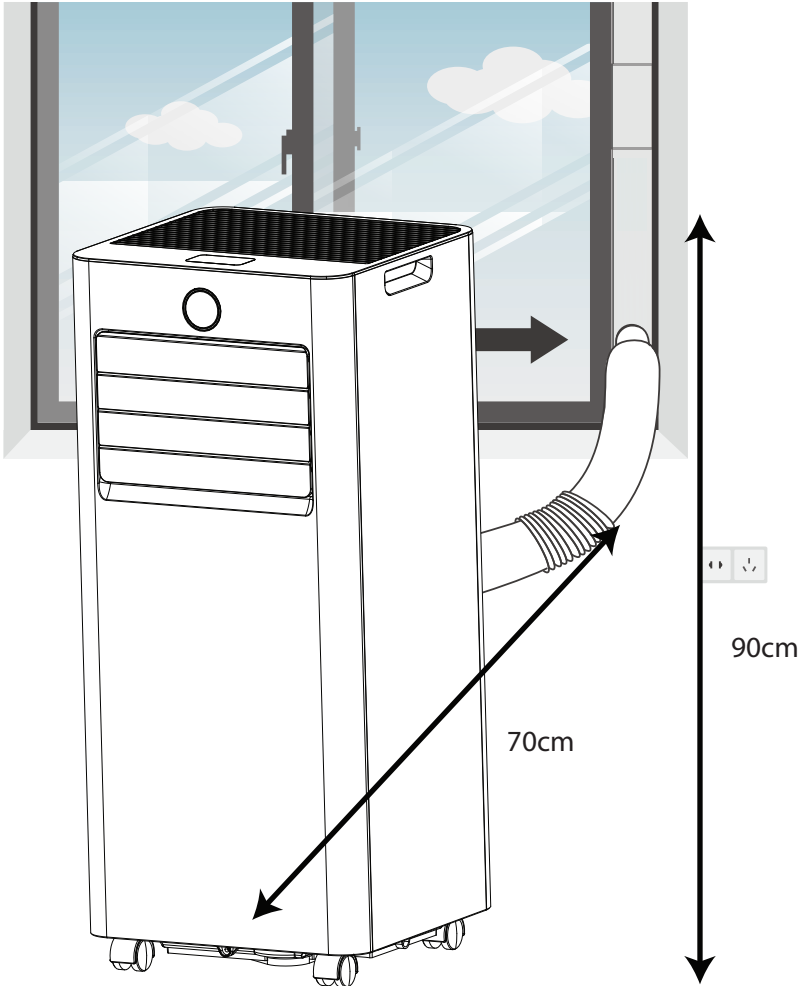


5. Attach the Hose Connector to the Unit: Connect the hose connector to the exhaust air outlet of the unit.



6. Adjust the Exhaust Hose:

- Ensure the distance between the unit and the window is at least 28 inches (70 cm).
- The height of the exhaust hose from the floor should be at least 35 inches (90 cm).
- Avoid bends in the hose to maintain proper airflow.

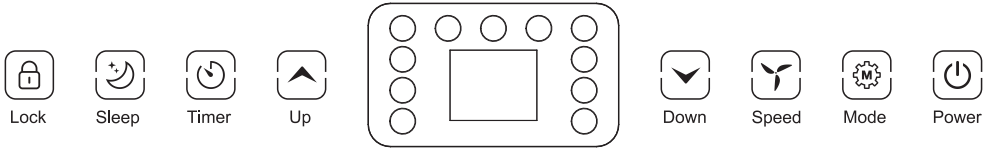


7. **Position the AC:** Place the air conditioner near an electrical outlet.

8. **Adjust the Louver and Switch On:** Adjust the louver at the air outlet, and then turn on the unit.

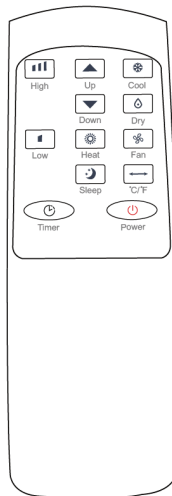
OPERATION

CONTROL PANEL AND DISPLAY



1. **POWER:** Press to switch the unit ON or OFF.
2. **MODE:** Press to switch between operation modes:
Cooling, Heating (optional), Fan, or Dehumidifying.
3. **SPEED:** Press to toggle the fan speed between HIGH and LOW.
4. **DOWN:** Press to decrease the desired temperature (61°F–90°F) or adjust the timer setting downward.
5. **UP:** Press to increase the desired temperature (61°F–90°F) or adjust the timer setting upward.
6. **TIMER:** Press to set a timer for the unit to start or stop automatically.
Press and hold this button to start network configuration or disconnect Wi-Fi.
7. **SLEEP:** Activate the Sleep function by pressing the corresponding button on the remote control.
8. **LOCK:** Press and hold this button for 3-5 seconds to activate the child-lock function.

Remote Control



Note: The Heat button is only available for models with the heating function.

SETTINGS

Start-Up and Shutdown

- Press POWER to turn on the unit.
- Press the MODE button to select the desired operation mode.
- Press POWER again to turn off the unit.

Operation Modes

The unit offers five operation modes: Cool, Heat (optional), Dehumidifier, Fan, and Sleep.

Cooling Your Room

- Press the MODE button repeatedly until the COOL indicator lights up.
- Use the UP or DOWN button to adjust the temperature (61°F–90°F).
- Press the SPEED button repeatedly to select the desired fan speed.
- To control the horizontal airflow, adjust the inner louvers manually.

Note: The air conditioner stops cooling if the room temperature is lower than the set temperature.

Heating Your Room (Optional for Models with Heating Function)

- Press the MODE button repeatedly until the HEAT indicator lights up.
- Press the UP or DOWN button to set the temperature higher than the current room temperature.
- Adjust the fan speed using the SPEED button as desired.

Note: Attach the drainage hose to the unit for continuous operation in heating mode.

Ventilating Your Room

- Press the MODE button repeatedly until the FAN indicator lights up.
- In this mode, air circulates without cooling.
- Press the SPEED button to select the desired fan speed.

Drying Your Room

- Press the MODE button until the DRY indicator lights up.
- Connect the hose to the drain outlet at the bottom of the unit.

Note: In this mode, the fan operates at low speed by default, and the speed cannot be adjusted.

Sleep Mode

Sleep mode can be activated using the remote control and functions in Cool or Heat mode.

In Cool Mode:

After another hour, the temperature increases by an additional 2°F, then remains constant.

In Heat Mode:

- After 1 hour, the preset temperature decreases by 2°F.
- After another hour, the temperature decreases by an additional 2°F.

Additional Details:

- After these adjustments, the temperature remains constant for 10 hours.
- All indicators dim for minimal light.
- The fan speed switches to low for silent operation and cannot be adjusted.

TIMER SETTING (1 Hour–24 Hours)

The timer offers two functions:

Turn Off Timer (When the Unit is Powered On):

1. Press the TIMER button to activate the timer function.
2. Press the UP or DOWN button repeatedly to set the delay OFF time.

Turn On Timer (When the Unit is Powered Off):

1. Press the TIMER button to activate the timer function.
2. Press the UP or DOWN button repeatedly to set the delay ON time.

Cancel Timer:

Press the UP or DOWN button repeatedly until the LED displays '00'.

Note:

Pressing POWER exits timer setting but does not cancel the timer function.

Wi-Fi Function

Press and hold the TIMER button to activate the Wi-Fi function.

Refer to the Wi-Fi instructions in the last section of this manual for setup details.

Information on the App “Smart Life”

The “Smart Life” app is available for Android and iOS devices.

Scan the corresponding QR code to directly access the app download page.



Download Smart Life App



Using the App

This appliance can be operated through your home network using the “Smart Life” app. Ensure the following prerequisites are met:

- A permanent Wi-Fi connection to your router.
- Installation of the free “Smart Life” app.

Setup Instructions

1. Install the “Smart Life” App:

Download and install the app, then create a user account.

2. Activate Wi-Fi Function:

Navigate to the appliance settings and activate the Wi-Fi function.

3. Position the Appliance:

Place the appliance approximately 16 feet (5 meters) from your Wi-Fi router.

4. Configure the Network:

- Press and hold the Timer button to start network configuration.
- When the Wi-Fi indicator flashes, begin the connection process using the app.
- If the connection is not completed within 3 minutes, the configuration will cancel, and the Wi-Fi indicator will turn off. To reconnect, press and hold the Timer button again until the Wi-Fi indicator starts flashing.

Wi-Fi Connection Methods

Method 1: Connect via Bluetooth

1. Turn on Bluetooth on your mobile device.
2. Ensure the Wi-Fi indicator on the appliance is flashing.
3. Open the “Smart Life” app, and the appliance will automatically connect via Bluetooth.

Method 2: Connect via Wi-Fi

1. Ensure the Wi-Fi indicator on the appliance is flashing.
2. In the app, select:
Add Device -> Large Home Appliances -> Portable Air Conditioner.
3. Follow the on-screen instructions in the app.
4. Check the Wi-Fi indicator status:
 - **Fast flashing:** The appliance can connect directly.
 - **Slow flashing:** Select Go to Connect and connect to the Wi-Fi network named SmartLife-XXXX. Then, return to the app to complete the connection process.

Remarks:

- Once the appliance is successfully connected, the Wi-Fi lamp will light up. You can now control the appliance through the app.
- To disconnect the appliance from Wi-Fi, press and hold the Timer button for about 5 seconds. The Wi-Fi lamp will turn off.

Technical Parameters for Wi-Fi and Bluetooth

- **Wi-Fi Frequency Range:** 2400–2483.5 MHz
- **Wi-Fi RF Power:** ≤20 dBm (EIRP)
- **Bluetooth Frequency Range (BLE):** 2400–2483.5 MHz
- **Bluetooth RF Power:** ≤20 dBm (EIRP)

AUTOMATIC DEFROST

In low ambient temperatures, frost may build up on the evaporator. The unit will automatically initiate the defrost process, and the POWER LED will blink during this time.

Defrost Control Sequence

A. Cooling and Drying Modes: If the ambient temperature sensor detects the evaporator coil temperature falls below 30°F, the compressor will stop operating for 10 minutes or until the coil temperature reaches 44°F, after which the unit will resume cooling.

B. Heating and Drying Modes: If the coil temperature sensor detects the evaporator temperature is below 104°F and the temperature difference between the coil and the room is less than 66°F after 20 minutes of operation, the unit will enter defrost mode for 5 minutes. During this time, the POWER indicator will blink.

OVERLOAD PROTECTION

In the event of a power outage or loss, the unit includes a built-in 3-minute delay to protect the compressor before it restarts.

DRAINAGE

Manual Drainage Procedure:

1. When the machine stops due to a full water tank, unplug the unit.
Note: Move the unit carefully to avoid spilling water from the bottom water pan.
2. Place a water container below the side water outlet located at the back of the unit.
3. Remove the water plug to allow the water to flow into the container automatically.

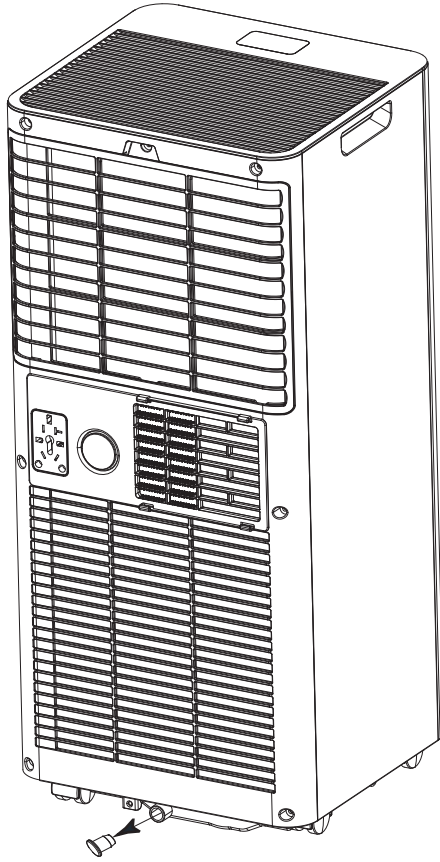
Important Notes:

- Keep the water plug in a safe place.
- During drainage, slightly tilt the unit backward to ensure proper water flow.
- If the water container cannot hold all the water, plug the water outlet before the container overflows to prevent water from spilling onto the floor or carpet.

4. Once all the water is drained, securely reinsert the water plug.

Final Step:

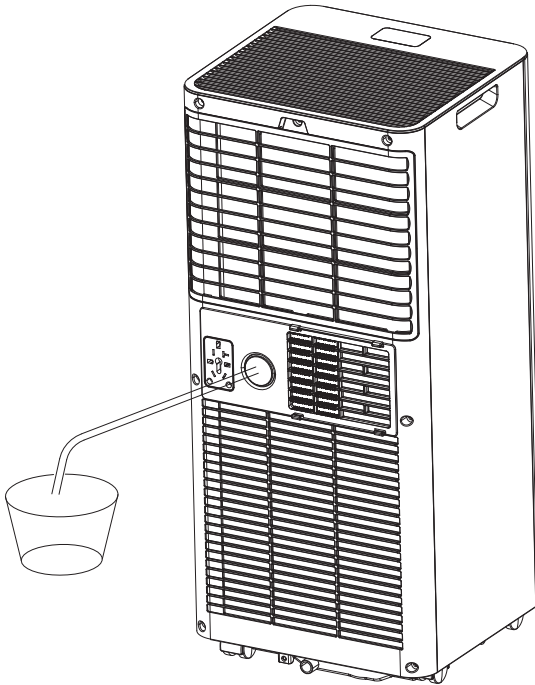
Restart the machine only after reinstalling the water plug and drainage cover. Failure to do so may cause condensate water to leak onto the floor or carpet.



CONTINUOUS DRAINAGE

The self-evaporating system uses collected water to cool the condenser coils for better efficiency. Typically, there is no need to empty the drainage tank during cooling operation, except in drying mode or under high humidity conditions. Condensate water evaporates at the condenser and is expelled through the exhaust hose.

For continuous or unattended operation in drying mode, attach the included drain hose:



- 1. Turn Off the Unit:** Switch off the unit and unplug it.
- 2. Prepare the Drain Hose:**
Remove the plug from the water outlet and keep it safe.
- 3. Connect the Drain Hose:**
Attach the drain hose securely and ensure it is free from kinks or obstructions.
- 4. Direct the Drain Hose:**
Place the outlet of the hose over a drain or bucket.
Ensure water can flow freely.
Do Not Submerge the hose in water, as this may cause an airlock.

Tips to Avoid Water Spillage:

- Keep the drain hose inclined downward at an angle exceeding 20 degrees to maintain proper flow..
- Straighten the hose to eliminate any traps or bends.

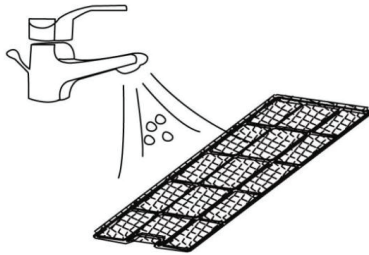
CLEANING AND CARE

Cleaning the Air Filter (Every Two Weeks)

Dust accumulates on the filter, restricting airflow and reducing system efficiency. A blocked filter may damage the unit. Regular cleaning is necessary.

1. Press the POWER button to turn off the unit and unplug it.
2. Remove the air filter from the unit.
3. Use a vacuum cleaner to remove dust from the filter.
4. Rinse the filter under running water in the opposite direction of airflow.

Allow the filter to air-dry completely before reinstalling it.



Warning: *Do not operate the unit without the air filter, as this may contaminate the evaporator. Avoid touching the evaporator surface with bare hands to prevent injury.*

Cleaning Up Refrigerant

If refrigerant cleaning is required, follow these general safety measures:

1. Recognize that gas/vapor is heavier than air and may accumulate in confined spaces.
2. Eliminate all sources of ignition.
3. Use appropriate personal protective equipment (PPE).
4. Evacuate unnecessary personnel and ventilate the area.
5. Avoid contact with eyes, skin, or clothing, and do not inhale vapors.
6. Use a refrigerant recovery system if available, rather than releasing into the environment.
7. Stop the source of leakage if safe and use water spray to disperse vapors.
8. Ventilate and test the area before reentry. Contact authorities for assistance after a spill.

TROUBLESHOOTING

Symptom	Inspection	Solution
The unit is not operating	<ul style="list-style-type: none"> • Check if the power cord is securely connected. • Check if the water level indicator is lit. • Check the room temperature. 	<ul style="list-style-type: none"> • Insert the power cord securely into the wall outlet. • Empty the drain pan by removing the rubber plug. • Ensure it is within the operating range (41°F–95°F).
The unit has reduced capacity.	<ul style="list-style-type: none"> • Check if the air filter is dirty • Check if the air duct is blocked • Check if doors or windows are open • Check if the desired mode and temperature are set correctly • Ensure the exhaust hose is properly attached 	<ul style="list-style-type: none"> • Clean the air filter • Remove the obstruction • Close doors and windows • Adjust settings according to the manual • Securely connect the exhaust hose
Water leakage	<ul style="list-style-type: none"> • Check for water overflow during transport • Check if the drain hose is kinked or bent 	<ul style="list-style-type: none"> • Empty the water tank before moving the unit • Tighten the hose to ensure proper drainage
Excessive noise	<ul style="list-style-type: none"> • Check if the unit is placed securely • Check for loose or vibrating parts • Noise of flowing water is heard 	<ul style="list-style-type: none"> • Place the unit on a firm, level surface • Tighten and secure all parts • This is normal and caused by refrigerant flow

Error Codes

Error Code	Issue	Solution
E0	Communication error between main PCB and display PCB	Check the wire harness for damage
E1	Ambient temperature sensor failure	Check the sensor connection or replace the sensor
E2	Coil temperature sensor failure	Check the sensor connection or replace the sensor
Ft	Condensate water high-level alarm	Empty the drain pan by removing the rubber plug

Decommissioning

Storage

Long-Term Storage

If you will not be using the unit for an extended period (more than a few weeks), **follow these steps to clean and store the unit properly:**

1. **Unplug the Unit:** Disconnect the unit from the power source.
2. **Remove Accessories:** Detach the exhaust hose and window kit, and store them with the unit.
3. **Drain Water:** Completely drain any remaining water from the unit.
4. **Clean the Filter:** Remove the air filter. Clean it thoroughly and allow it to dry completely in a shaded area.
5. **Reinstall the Filter:** Once dry, place the filter back in its original position.
6. **Position the Unit Upright:** Always store the unit in an upright position to prevent damage.
7. **Choose a Suitable Location:** Store the unit in a ventilated, dry, and indoor area that is free from corrosive gases.

Important Note:

The evaporator inside the unit must be completely dried before packing to prevent component damage and mold growth.

Drying Method 1:

Unplug the unit and place it in a dry, open area for several days.

Drying Method 2:

Turn on the unit, set it to low-wind ventilation mode, and let it run until the drainage pipe and internal components are dry. This helps prevent mildew.

Disposal

WARNING: Releasing refrigerant into the atmosphere is strictly prohibited!

Do not dispose of electrical appliances with regular household waste.

Instead, follow these guidelines:

- Use separate collection facilities designated for electrical appliances.
- Contact your local government or waste management authority for information on disposal and recycling systems.



Improper disposal of electrical appliances can lead to hazardous substances leaking into the groundwater and entering the food chain, causing harm to the environment and public health.

Register Product

Thank you for choosing SereneLife. By registering your product, you ensure that you receive the full benefits of our exclusive warranty and personalized customer support.

Complete the form to access expert support and to keep your SereneLife purchase in perfect condition.

Start Here



**Model Number:
SLPAC103W**

[Serenelifehome.com/pages/register](https://www.SereneLifeHome.com/pages/register)

serenelife™



Questions or Comments?

We are here to help!

Phone: 1.718.535.1800

Serenelifehome.com/ContactUs