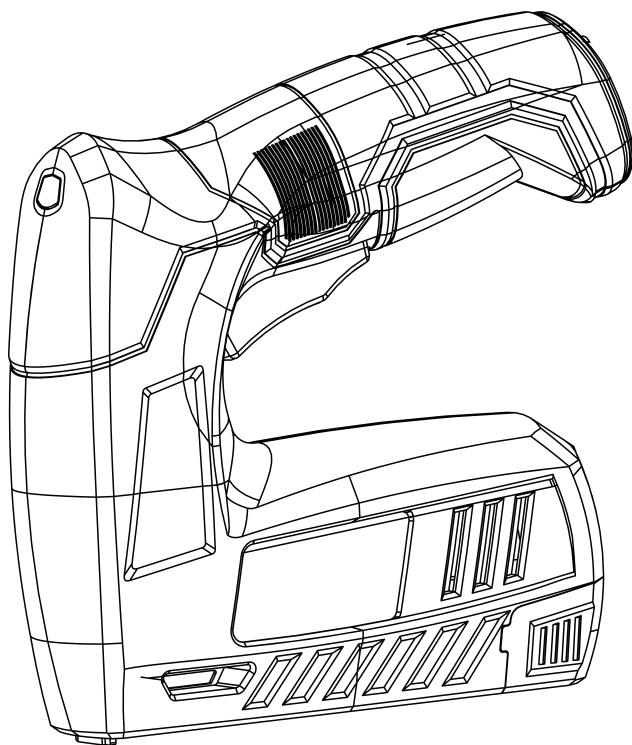


NEU MASTER

CORDLESS STAPLER AND NAILER

KWNG01

4V Li-Ion

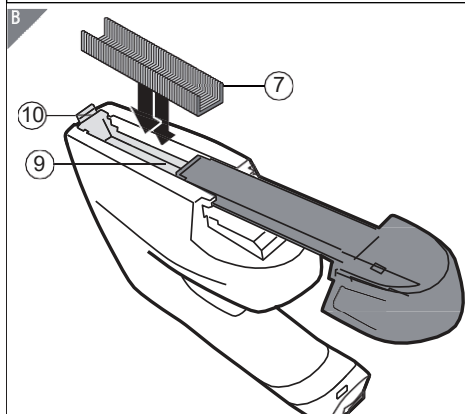
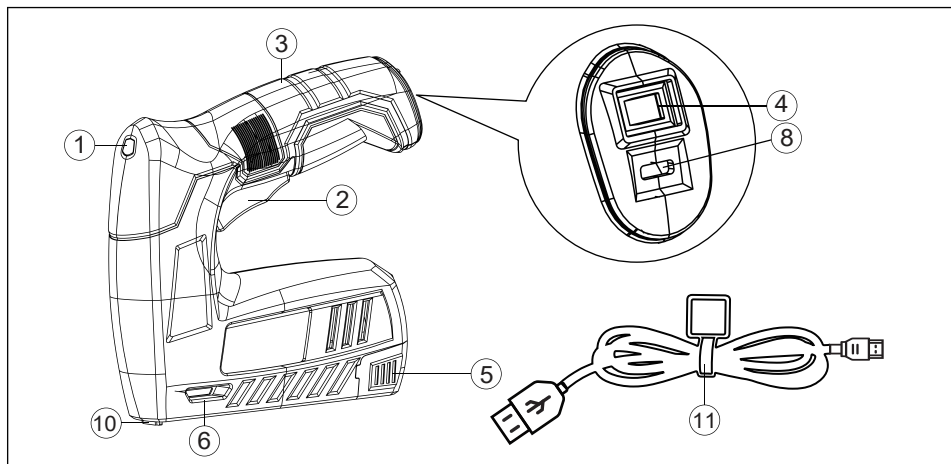


Tel: 1-833-271-1088
Web: www.neumaster.com
Mail: neumastercs@gmail.com
Made in China



Contents

English	01& 02~07
Deutsch	01& 08~12
Français	01& 13~17
Italiano	01& 18~22



- ① Battery charging indicator
 ② Trigger
 ③ Handle
 ④ On/Off switch
 ⑤ Cartridge release and lock
 ⑥ Staple view window
 ⑦ Fastener (Staples or Nails)
 ⑧ Micro USB charging port
 ⑨ Staple cartridge
 ⑩ Tacker head
 ⑪ Charging cable

EN

- ① Batterieladeanzeige
 ② Auslösen
 ③ Hand gehalten
 ④ Schaltknopf
 ⑤ Kartuschen Freigabe und -sperre
 ⑥ Heftklammern-Fenster anzeigen
 ⑦ Heftklammern oder andere Nägel
 ⑧ USB-Mini-Ladeanschluss
 ⑨ Schachtel für Heftklammern
 ⑩ Nagel Kopf
 ⑪ Aufladekabel

DE

- ① Indicateur de charge de la batterie
 ② Gâchette
 ③ Poignée
 ④ Commutateur
 ⑤ Libération et verrouillage de la cartouche
 ⑥ Fenêtre de reliure
 ⑦ Fixations (agrafes ou clous)
 ⑧ Port de charge micro USB
 ⑨ Boîte d'agrafes
 ⑩ Tête de clou
 ⑪ Câble de charge

FR

- ① Indicatore di carica della batteria
 ② Interruttore del grilletto
 ③ Maniglia
 ④ Interruttore
 ⑤ Rilascio e blocco della cartuccia
 ⑥ Finestra di rilegatura
 ⑦ Graffette o chiodi
 ⑧ Porta micro USB di ricarica
 ⑨ Scatola graffette
 ⑩ Testa del chiodo
 ⑪ Cavo di ricarica

IT

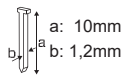
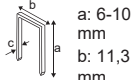
Technical Data:

Model #	KWNG01
Voltage	4V
Battery Capacity	1500mAh
Magazine Capacity	50 nails/100 staples
Impact rate	40 min-1
Nail length	10 mm
Staple length	4~10 mm
Charging port mode	Micro USB
Shots per full charge	1200+

Package Contents:

- 1 x Cordless staple gun
- 1 x USB charging cable
- 1 x Instruction manual

Size of staples and nails:

Type		Nail	Staple
Image		 a: 10mm b: 1,2mm	 a: 6-10 mm b: 11,3 mm
Market	Brand	Type #	Type #
EU/UK	Bosch	57	53
	Rapid No.	4/11/140	3/53/530
	Novus	G	A
	Prebena	PF	VX
	KWB	057	053
	Lux	80-82	40-43
North American	Stanley	SWKBN625	STCR5019
	Arrow	BN18	JT21
	Rapid	8/10	21/4
	Bostitch	BT1309B	STCR5019

General information

Reading and storing the user manual



This user manual comes with the 4.0 V Li-Ion Cordless Stapler. It contains important information on safety, usage and care. Read this user manual carefully before using the stapler. Pay particular attention to the safety notes and warnings. Failure to follow the instructions in this user manual may result in serious injury or in damage to the stapler. Comply with all applicable local and national regulations regarding the use of the stapler. Keep this user manual in a safe place for future reference. Should you pass on the stapler to a third party, this user manual must be included



Follow all safety information that follows this mark to avoid possible injury or death.



In order to avoid hearing damage, it is necessary to wear ear protection device when operating tools to avoid completely dangerous hearing.



Wear safety glasses when operating tools.

General power tool safety instructions



WARNING Read all the safety notes, instructions, illustrations and technical details supplied with this power tool. Failure to follow the safety notices and instructions may result in an electric shock, fire and/or severe injury.

Save all warnings and instructions for future reference.

The term "power tool" used in the safety instructions refers to mains-operated power tools (corded) and battery-powered power tools (cordless).

Work area safety :

- Keep your work area clean and well lit.** Cluttered or dark areas invite accidents.
- Do not operate power tools in explosive atmospheres, such as in the presence of flammable liquids, gases or dust.** Power tools create sparks which may ignite the dust or fumes.
- Keep children and bystanders away while operating a power tool. If you are distracted, you could lose control of the power tool.

Electrical safety :

- Power tool plugs must match the outlet. Never modify the plug in any way. Do not use any adapter plugs with earthed (grounded) power tools.** Unmodified plugs and matching outlets will reduce risk of electric shock.
- Avoid body contact with earthed or grounded surfaces, such as pipes, radiators, ranges and refrigerators.** There is an increased risk of electric shock if your body is earthed or grounded.
- Do not expose power tools to rain or wet conditions.** Water entering a power tool will increase the risk of electric shock.
- Do not use the cord for improper purposes such as for carrying the power tool, for hanging it up or for pulling or unplugging it from the socket. Keep cord away from heat, oil, sharp edges and moving parts.** Damaged or entangled cords increase the risk of electric shock.
- When operating a power tool outdoors, use only extension cords that are suitable for outdoor use.** Use of a cord suitable for outdoor use reduces the risk of electric shock.
- If operating a power tool in a damp location is unavoidable, use a residual current device (RCD) protected supply.** Use of an RCD reduces the risk of electric shock.

Personal safety :

- a) **Stay alert, watch what you are doing and use common sense when operating a power tool. Do not use a power tool while you are tired or under the influence of drugs, alcohol or medication.** A moment of inattention while operating power tools may result in serious personal injury.
- b) **Use personal protective equipment. Always wear eye protection.** Protective equipment such as dust mask, non-skid safety shoes, hard hat, or hearing protection used for appropriate conditions will reduce personal injuries.
- c) **Prevent unintentional starting. Ensure the switch is in the off-position before connecting to power source and/or battery pack, picking up or carrying the tool.** Carrying power tools with your finger on the switch or connecting the power tool to a power supply while the switch is set to "on" may lead to accidents.
- d) **Remove any adjusting key or wrench before turning the power tool on.** A wrench or a key left attached to a rotating part of the power tool may result in personal injury.
- e) **Take care to keep a normal body position. Maintain a stable stance and balance at all times.** This enables better control of the power tool in unexpected situations.
- f) **Dress properly. Do not wear loose clothing or jewellery. Keep your hair and clothing away from moving parts.** Loose clothes, jewellery or long hair can be caught in moving parts.
- g) **If there is an option for installing dust suction devices and dust containers, these should be attached and used correctly.** Use of dust collection can reduce dust-related hazards.
- h) **Do not be lulled into a false sense of security and ignore the safety rules for power tools, even if you are well acquainted with power tools, having used them frequently.** Using power tools without due care and attention can cause serious injuries in a split second.

Power tool use and care :

- a) **Do not overload the power tool. Use the correct power tool for your application.** The correct power tool will do the job better and safer at the rate for which it was designed.
- b) **Do not use the power tool if the switch does not turn it on and off.** Any power tool that cannot be controlled with the switch is dangerous and must be repaired.
- c) **Disconnect the plug from the power source and/or remove the rechargeable battery from the power tool before making any adjustments, changing insertion tools or storing the power tool.** Such preventive safety measures reduce the risk of starting the power tool accidentally.
- d) **Store idle power tools out of the reach of children. Do not let any individual who is not familiar with the power tool or who has not read these instructions operate this power tool.** Power tools are dangerous in the hands of untrained users.
- e) **Maintain power tools and insertion tools with care. Check for misalignment or binding of moving parts, breakage of parts and any other condition that may affect the power tool's operation. If any parts of the power tool are damaged, have them repaired before use.** Many accidents are caused by poorly maintained power tools.
- f) **Use the power tool, accessories and fitted tools etc. in accordance with these instructions, taking into account the working conditions and the work to be performed.** Use of the power tool for operations different from those intended could result in a hazardous situation.
- g) **Keep handles and handle surfaces dry, clean and free from oil and grease.** Slippery handles and handle surfaces will prevent you from operating and controlling the power tools safely in unforeseen situations.

Cordless tool use and care :

- a) **Only charge the rechargeable batteries with chargers recommended by the manufacturer.** Chargers designed for a particular rechargeable battery type pose a risk of fire if used with other types of rechargeable battery.
- b) **Only use the rechargeable batteries designated for use in power tools.** Using other rechargeable batteries may result in injury and a risk of fire.
- c) **Keep the unused rechargeable battery away from paper clips, coins, keys, nails, screws or other small metallic objects that could bridge the contacts.** A short circuit between the contacts of the rechargeable battery could result in burns or fire.

- d) **If used improperly, liquid may leak out of the rechargeable battery. Avoid coming into contact with it. Rinse with water in the event of accidental contact. If liquid comes into contact with your eyes, also seek medical attention.** Fluid leaked from the rechargeable battery may cause skin irritations or burns.
- e) **Do not use a damaged or modified rechargeable battery.** Damaged or modified rechargeable batteries can be unpredictable and may result in fire, an explosion or a risk of injury.
- f) **Do not expose a rechargeable battery to fire or excessively high temperatures.** Fire or temperatures above 130 °C may cause an explosion.
- g) **Carefully follow all instructions for charging the battery and never charge the battery or cordless tool outside of the temperature range indicated in the instructions.** Improper charging or charging outside of the permitted temperature range may damage the battery and increase the risk of fire.

Service :

- a) **Have your power tool serviced by a qualified repair person using only identical replacement parts.** This will ensure that the safety of the power tool is maintained.
- b) **Never perform maintenance on damaged rechargeable batteries.** Only the manufacturer or authorized service companies may perform maintenance on rechargeable batteries.

Safety instructions for battery-operated staplers :

- a) **Always assume the electrical tool contains staples.** Handling the stapler in a careless fashion can lead to the unexpected release of staples, which can lead to injury.
- b) **Never aim the electrical tool at yourself or other persons near you.** Accidentally pressing the trigger can shoot out a staple, which can lead to injury.
- c) **Do not operate the electrical tool until it is firmly positioned on the item you are working on.** If the electrical tool has no contact with the item you're working on, the staple may bounce off the fastening point.
- d) If a staple becomes jammed, disconnect the electrical tool from the mains or remove its battery. If the device remains switched on, a staple may accidentally be ejected when trying to clear a jam.
- e) Be careful when removing a staple that has become jammed. The stapler may be loaded, and the staple may be ejected with significant force while the jam is being cleared.
- f) Do not use this electrical tool to fix electric cables into position. This tool is not suitable for laying electric cables; the staples could damage the electrical cable insulation and cause an electric shock or a fire hazard.
- g) Use suitable search devices to detect any hidden cables, or consult your local utility company. Contact with voltage-carrying lines can cause fire and electric shocks. Damage to a gas line may cause an explosion. Piercing of water pipes can lead to property damage.
- h) Secure the workpiece. A workpiece held in place with clamping fixtures or in a vice is more secure than if held by hand.
- i) Protect the electrical tool from heat, e.g. including from direct sunlight, fire, water and moisture. There is a risk of explosion.
- j) In the event of damage to or improper use of the battery, vapours may escape. Ventilate the area with fresh air. If you experience discomfort, consult a physician. These vapours may irritate your respiratory tract.

Safety instructions for chargers (not included)



WARNING!

Risk of injury!

Limited physical, sensory or mental capacity, or who lack the requisite experience or knowledge.

- Children must be supervised. Supervision ensures that children do not play with the charger.
- Any cleaning and maintenance work to the charger must not be carried by unsupervised children.

**WARNING!****Risk of electric shock!**

Improper handling of the charger may result in electric shock.

- Keep the charger away from rain or moisture. Water seeping into the charger can increase the risk of electric shock.
- Charge the electrical tool only with the charger that comes with it.
- Keep the charger clean. Dirt and impurities can pose a risk of electric shock.
- Inspect the charger, cable and plug before every use. Do not use the charger if you notice any signs of damage.
- Do not open the charger yourself, and have it repaired only by a qualified specialist using original spare parts. Damage to chargers, cables and plugs increases the risk of electric shock.

**WARNING!****Risk of electric injury!**

Rechargeable batteries contain flammable substances. If batteries are handled improperly they may leak, become very hot, catch fire or explode under certain circumstances. Improper handling may result in serious injury.

- Do not heat the battery, and do not throw it on an open fire.
- Do not expose the battery and stapler to direct sunlight.
- Do not recharge non-rechargeable batteries.
- The battery should not be taken apart, thrown onto fire, or short-circuited.
- Store the battery out of the reach of children. If children or pets swallow rechargeable batteries, immediately contact a physician.
- Do not allow battery acid to come into contact with skin, eyes or mucous membranes. In the event of contact with battery acid, immediately flush the applicable area with plenty of clean water and consult a doctor immediately.

NOTICE!**Risk of damage!**

Improper handling of the stapler can damage it.
– Do not clean the stapler with abrasive solvents.

Operation instructions

Charging the rechargeable battery



• The battery is delivered partially charged. Charge the battery for at least three hours before first use

- If the LED battery charge Indicator **1** lights up red during operation, this signals that the battery capacity is less than 30%, and the battery should be recharged.
1. Insert the mains plug of the charging cable **11** into a properly installed socket.
 2. Insert the charging cable **11** into the micro USB charging port **8**. The LED on the battery charging indicator will illuminate red.
 3. Once the LED on the battery charge indicator illuminates green, the battery is fully charged. You can now unplug the charging cable from the micro USB charging port.



• Use staple view window **6** you can ascertain whether there are still staples or nails **7** contained in the staple Cartridge **9**.

Staple/Nail loading

1. Ensure that the stapler is switched off and that the on/off switch **4** is set to the "O" position.
2. Squeeze the staple cartridge release and lock **5** and pull the staple cartridge **9** out to the rear.
3. Place the staples or nails into the staple Cartridge (see Fig. B). There is nail loading side indicating.
4. Slide the staple cartridge back into the stapler, until the staple cartridge clicks into place.

Switching the stapler on/off

- To switch the stapler on, set the on/off switch **4** to the "I" position.
- To switch the stapler off, set the on/off switch to the "O" position.

Using the stapler



WARNING!

Risk of injury!

Improper handling of the stapler can lead to injury.

- If a staple has become jammed, do not hold the stapler by the trigger. When clearing a jammed staple, the trigger may be accidentally operated.



Place the tacker head **10** carefully on soft work items. Otherwise, the work item may become damaged.

1. Hold the stapler by its handle **3**.
2. Place the stapler nose firmly on the work item and squeeze the trigger **2**.
The staple or the nail is then ejected and pierces the work item.

Cleaning and maintenance

NOTICE!

Risk of damage!

Water or other liquids that have penetrated the housing may cause a short circuit.

- Never immerse the stapler in water or other liquids.
- Make sure that no water or other liquids get into the housing.

NOTICE!

Risk of damage!

Improper handling of the stapler can damage it.

- Do not use any aggressive cleaners, brushes with metal or nylon bristles or sharp or metallic cleaning utensils such as knives, metal sponges and the like. They could damage the surfaces.

Cleaning the stapler

Check the condition of the stapler at regular intervals. Among other things, check to make sure:

- that the on/off **4** switch and the trigger **2** are free from damage.
- that the accessories are in perfect condition.
- that the micro USB port charging cable **11** are free from damage.

If you identify any damage, you must have it repaired by a specialist workshop to prevent risks.

Disposal

Disposing of the stapler



Power tools, batteries, accessories and packaging must be hand over to environmentally friendly recovery.



Do not dispose of power tools and rechargeable batteries / accumulators in household waste!

Allgemeine Information

Lesen Sie die Bedienungsanleitung und bewahren Sie sie auf



Dieses Benutzerhandbuch für den drahtlosen 4,0-V-Li-Ion-Tacker wird mit dem Werkzeug geliefert. Dieses Handbuch enthält wichtige Informationen zu Sicherheit, Gebrauch und Wartung. Bitte lesen Sie diese Bedienungsanleitung sorgfältig durch, bevor Sie das Heftgerät verwenden. Bitte achten Sie besonders auf Sicherheits- und Warnhinweise. Die Nichtbeachtung der Anforderungen und Anweisungen in diesem Benutzerhandbuch kann zu schweren Personen- oder Sachschäden führen. Befolgen Sie alle geltenden lokalen und nationalen Vorschriften in Bezug auf Tacker. Bitte bewahren Sie dieses Handbuch zum späteren Nachschlagen an einem sicheren Ort auf. Wenn Sie Ihr Heftgerät an Dritte weitergeben, fügen Sie bitte dieses Benutzerhandbuch bei.



Befolgen Sie alle Sicherheitshinweise nach diesem Zeichen, um mögliche Verletzungen oder Tod zu vermeiden.



Um Gehörschäden zu vermeiden, muss beim Betrieb des Werkzeugs ein Gehörschutz getragen werden, um Gehörschäden zu vermeiden.



Tragen Sie beim Bedienen von Werkzeugen eine Schutzbrille.

Allgemeine Sicherheitshinweise für Elektrowerkzeuge



WARNUNG Lesen Sie alle Sicherheitshinweise, Vorsichtshinweise, Abbildungen und technischen Details, die mit diesem Elektrowerkzeug geliefert werden. Die Nichtbeachtung der Sicherheitsvorkehrungen und Anweisungen kann zu elektrischem Schlag, Brand oder schweren Verletzungen führen.

Bitte bewahren Sie alle Warnungen und Anweisungen zum späteren Nachschlagen auf.

Der in den Sicherheitshinweisen verwendete Begriff „Elektrowerkzeug“ bezieht sich auf netzbetriebene Elektrowerkzeuge (kabelgebunden) und akkubetriebene Elektrowerkzeuge (kabellos).

Sicherheitsvorkehrungen für Arbeitsbereiche:

- Halten Sie den Arbeitsbereich sauber und gut beleuchtet. Unübersichtliche oder dunkle Bereiche können zu Unfällen führen.
- Betreiben Sie Elektrowerkzeuge nicht in brennbaren und explosiven Umgebungen. Elektrowerkzeuge erzeugen Funken und entzündenden Staub oder Dämpfe, wenn sie arbeiten.
- Halten Sie beim Betrieb von Elektrowerkzeugen Kinder und Zuschauer von der Szene fern. Wenn Sie abgelenkt sind, können Sie die Kontrolle über das Elektrowerkzeug verlieren.

Elektrische Sicherheit:

- Der Stecker des Elektrowerkzeugs muss der Spezifikation und Leistung der Steckdose entsprechen. Verändern Sie den Stecker niemals in irgendeiner Weise. Verwenden Sie keine Adapterstecker mit geerdeten Elektrowerkzeugen. Unveränderte Stecker und passende Steckdosen verringern das Risiko eines Stromschlags.
- Vermeiden Sie physischen Kontakt mit geerdeten Oberflächen wie Rohren, Heizkörpern, Öfen und Kühlschränken. Das Risiko eines Stromschlags steigt, wenn Ihr Körper geerdet ist.
- Wasser, das in das Elektrowerkzeug eindringt, erhöht das Risiko eines Stromschlags, setzen Sie das Elektrowerkzeug nicht Regen oder Feuchtigkeit aus.
- Verwenden Sie das Netzkabel nicht für unsachgemäße Zwecke, wie zum Beispiel zum Tragen von Elektrowerkzeugen, zum Aufhängen oder zum direkten Abziehen des Netzkabels aus der Steckdose. Halten Sie das Netzkabel von Hitze, Öl, scharfen Kanten und beweglichen Teilen fern. Beschädigte oder verhedderte Kabel erhöhen das Risiko eines Stromschlags.
- Verwenden Sie beim Betrieb von Elektrowerkzeugen im Freien nur Verlängerungskabel, die für den Einsatz im Freien vorgesehen sind. Verwenden Sie Kabel, die für den Außenbereich geeignet sind, um das Risiko eines Stromschlags zu verringern.
- Wenn der Betrieb des Elektrowerkzeugs in feuchter Umgebung unvermeidlich ist, schützen Sie die Stromversorgung mit einem Fehlerstromschutzschalter (RCD). Die Verwendung eines RCD verringert das Risiko eines Stromschlags.

Persönliche Sicherheit:

- a) Seien Sie beim Umgang mit Elektrowerkzeugen immer wachsam und verwenden Sie Elektrowerkzeuge nicht, wenn Sie körperlich müde sind oder unter dem Einfluss von Drogen, Alkohol oder in ärztlicher Behandlung stehen. Vorübergehende Unaufmerksamkeit beim Betrieb eines Elektrowerkzeugs kann zu schweren Personenschäden führen.
- b) Persönliche Schutzausrüstung verwenden. Tragen Sie immer Schutzausrüstung wie Schutzbrillen, Staubmasken, rutschfeste Sicherheitsschuhe, Schutzhelme oder Gehörschutz, wenn Sie unter angemessenen Bedingungen verwendet werden. Diese Schutzmaßnahmen reduzieren Personenschäden.
- c) Unbeabsichtigtes Anlaufen verhindern. Stellen Sie sicher, dass sich der Schalter in der Aus-Position befindet, bevor Sie das Gerät an die Stromversorgung anschließen, Batterien einlegen oder Werkzeuge aufnehmen oder tragen. Das Tragen eines Elektrowerkzeugs mit dem Finger auf dem Schalter oder das Anschließen des Elektrowerkzeugs an eine Stromquelle, während sich der Schalter in der EIN-Position befindet, kann zu einem Unfall führen.
- d) Entfernen Sie vor dem Einschalten des Elektrowerkzeugs alle Einstellwerkzeuge oder Schraubenschlüssel. Ein Schraubenschlüssel oder Schlüssel, der an einem Elektrowerkzeug zurückgelassen wird, kann bei Aktivierung Verletzungen verursachen.
- e) Achten Sie auf eine normale Körperhaltung. Halten Sie Ihren Körper jederzeit im Gleichgewicht. Dies ermöglicht eine bessere Kontrolle des Elektrowerkzeugs in unerwarteten Situationen.
- f) Sich angemessen kleiden. Tragen Sie keine weite Kleidung oder Schmuck. Halten Sie Haare und Kleidung von beweglichen Teilen fern. Lose Kleidung, Schmuck oder lange Haare können sich in beweglichen Teilen verfangen.
- g) Wenn es die Möglichkeit gibt, einen Staubsauger und einen Staubabscheider zu installieren, sollten diese korrekt installiert und verwendet werden. Staubbedingte Gefahren können durch den Einsatz eines Staubsammlers reduziert werden.
- h) Seien Sie nicht nachlässig und ignorieren Sie die Sicherheitsregeln von Elektrowerkzeugen, auch wenn Sie mit Elektrowerkzeugen sehr vertraut sind und sie häufig verwenden, seien Sie immer wachsam. Die unsachgemäße Verwendung eines Elektrowerkzeugs kann sofort zu schweren Verletzungen führen.

Einsatz und Wartung von Elektrowerkzeugen:

- a) Elektrowerkzeuge nicht überlasten. Verwenden Sie das richtige Elektrowerkzeug für Ihre Anwendung. Das richtige Elektrowerkzeug erledigt die Arbeit besser und sicherer bei der Geschwindigkeit, für die es entwickelt wurde.
- b) Wenn der Werkzeugschalter ausfällt, verwenden Sie das Elektrowerkzeug nicht. Jedes Elektrowerkzeug, das nicht mit einem Schalter gesteuert werden kann, ist gefährlich und muss repariert werden.
- c) Bevor Sie das Elektrowerkzeug einstellen, austauschen oder lagern, ziehen Sie den Netzstecker oder entfernen Sie den Akku aus dem Elektrowerkzeug. Diese vorbeugende Sicherheitsmaßnahme verringert das Risiko eines versehentlichen Startens des Elektrowerkzeugs.
- d) Bewahren Sie unbenutzte Elektrowerkzeuge außerhalb der Reichweite von Kindern auf. Lassen Sie niemanden, der mit Elektrowerkzeugen nicht vertraut ist oder diese Anleitung nicht gelesen hat, dieses Elektrowerkzeug bedienen. Elektrowerkzeuge sind in den Händen ungeschulter Benutzer gefährlich.
- e) Sorgfältige Wartung von Elektrowerkzeugen und Einsatzwerkzeugen. Prüfen Sie auf Fehlausrichtung oder Blockierung beweglicher Teile, gebrochene Teile und andere Bedingungen, die den Betrieb des Elektrowerkzeugs beeinträchtigen könnten. Wenn ein Teil des Elektrowerkzeugs beschädigt ist, reparieren Sie es vor der Verwendung. Viele Unfälle werden durch schlecht gewartete Elektrowerkzeuge verursacht.
- g) Bitte verwenden Sie Elektrowerkzeuge, Zubehör und Hilfswerkzeuge gemäß dieser Anleitung unter Berücksichtigung der Arbeitsbedingungen und der auszuführenden Arbeiten. Die Verwendung des Elektrowerkzeugs für einen anderen als den vorgesehenen Zweck kann zu einer gefährlichen Situation führen.
- h) Griffe und Griffoberflächen trocken, sauber und fettfrei halten. Der glatte Griff und die Griffoberfläche schützen Sie, um Ihr Elektrowerkzeug unter unvorhergesehenen Umständen sicher zu bedienen und zu kontrollieren.

Einsatz und Wartung von Akku-Werkzeugen:

- a) Akkus sollten nur mit einem vom Hersteller empfohlenen Ladegerät geladen werden. Ladegeräte, die für einen bestimmten Akkutyp ausgelegt sind, bergen Brandgefahr, wenn sie mit anderen Akkus eines anderen Typs verwendet werden.
- b) Verwenden Sie nur Akkus für die angegebenen Elektrowerkzeuge. Die Verwendung anderer wiederaufladbarer Batterien kann zu Verletzungen und Brandgefahr führen.
- c) Halten Sie unbenutzte Batterien fern von Büroklammern, Münzen, Schlüsseln, Nägeln, Schrauben oder anderen kleinen Metallgegenständen, die die Kontakte überbrücken könnten. Kurzschlüsse zwischen Batteriekontakten können Verbrennungen oder Feuer verursachen.
- d) Bei unsachgemäßer Verwendung kann Flüssigkeit aus dem Akku austreten. Vermeiden Sie es, es zu berühren. Bei versehentlichem Kontakt sofort mit Wasser abspülen. Suchen Sie außerdem sofort einen Arzt auf, wenn die Flüssigkeit mit Ihren Augen in Kontakt kommt. Aus dem Akku austretende Flüssigkeit kann Hautreizungen oder Verbrennungen verursachen.
- e) Verwenden Sie keine beschädigten oder modifizierten Batterien. Beschädigte oder veränderte Batterien können unvorhersehbar sein und ein Brand-, Explosions- oder Verletzungsrisiko darstellen.
- f) Setzen Sie Akkus keinem Feuer oder hohen Temperaturen aus. Feuer oder Temperaturen über 130 °C können Explosionen verursachen.
- g) Befolgen Sie sorgfältig alle Anweisungen zum Laden des Akkus und laden Sie Akku oder kabellose Werkzeuge niemals außerhalb des in den Anweisungen angegebenen Temperaturbereichs. Unsachgemäßes Laden oder Laden außerhalb des zulässigen Temperaturbereichs kann den Akku beschädigen und die Brandgefahr erhöhen.

Servieren:

- a) Lassen Sie Ihr Elektrowerkzeug von einem qualifizierten Servicetechniker mit identischen Ersatzteilen warten. Dadurch wird die Sicherheit bei der Wartung des Elektrowerkzeugs gewährleistet.
- b) Führen Sie keine Wartungsarbeiten an beschädigten Akkus durch. Der Akku darf nur vom Hersteller oder einem autorisierten Servicebetrieb gewartet werden.

Sicherheitshinweise für Akku-Heftgeräte:

- a) Gehen Sie immer davon aus, dass das Elektrowerkzeug Heftklammern enthält. Ein falscher Betrieb des Tackers kann dazu führen, dass die Heftklammern versehentlich ausgeworfen werden, was zu Verletzungen führen kann.
- b) Richten Sie Elektrowerkzeuge niemals auf sich selbst oder andere in Ihrer Nähe. Durch versehentliches Drücken des Auslösers können Heftklammern herausschießen und Verletzungen verursachen.
- c) Betreiben Sie ein Elektrowerkzeug erst, wenn das Elektrowerkzeug sicher auf dem zu bearbeitenden Gegenstand positioniert ist. Wenn das Elektrowerkzeug keinen Kontakt mit dem Gegenstand hat, den Sie handhaben, können die Heftklammern abprallen.
- d) Wenn die Heftklammern gestaut sind, trennen Sie das Elektrowerkzeug oder entfernen Sie den Akku. Der Versuch zu löschen, während das Gerät eingeschaltet bleibt, kann dazu führen, dass die Heftklammern unerwartet ausgeworfen werden.
- e) Seien Sie vorsichtig, wenn Sie gestaute Heftklammern entfernen. Der Tacker kann sich verklemmen und viel Kraft erfordern, um die Heftklammern beim Räumen zu entfernen.
- f) Verwenden Sie dieses Elektrowerkzeug nicht, um das Kabel zu sichern. Dieses Werkzeug ist nicht zum Verlegen von Kabeln geeignet, Heftklammern können die Kabelisolierung beschädigen und einen Stromschlag oder Brandgefahr verursachen.
- g) Verwenden Sie eine geeignete Suchausrüstung, um versteckte Kabel zu finden, oder wenden Sie sich an Ihr örtliches Versorgungsunternehmen. Der Kontakt spitzer Nägel mit stromführenden Leitungen kann Brände und elektrische Schläge verursachen, und Schäden an Gasleitungen können zu Explosionen führen. Durchstechende Wasserleitungen können Sachschäden verursachen.
- h) Fixieren Sie das Werkstück. Ein Werkzeug, das mit einer Spannvorrichtung oder einem Schraubstock gesichert ist, ist sicherer als von Hand.
- i) Schützen Sie das Elektrowerkzeug vor Hitze. Und vermeiden Sie es, das Werkzeug Bedingungen wie direkter Sonneneinstrahlung, Feuer, Wasser oder Feuchtigkeit auszusetzen. Andernfalls besteht Explosionsgefahr.
- j) Wenn der Akku beschädigt oder falsch verwendet wird, kann Dampf austreten. Öffnen Sie in diesem Fall die Fenster, um den Bereich zu lüften. Wenden Sie sich an Ihren Arzt, wenn Sie sich unwohl fühlen. Diese Dämpfe können Ihre Atemwege reizen.

Sicherheitshinweise für Ladegeräte (nicht im Lieferumfang enthalten)



WARNUNG!

Verletzungsgefahr!

Eingeschränkte körperliche, sensorische oder geistige Fähigkeiten oder Mangel an notwendiger Erfahrung oder Wissen.

- Kinder müssen beaufsichtigt werden. Beaufsichtigung stellt sicher, dass Kinder nicht mit dem Ladegerät spielen.
- Reinigung und Wartung des Ladegerätes dürfen nicht von unbeaufsichtigten Kindern durchgeführt werden.



WARNUNG!

Risiko eines elektrischen Schlages!

Unsachgemäßer Umgang mit dem Ladegerät kann zu Stromschlägen führen.

- Halten Sie das Ladegerät von Regen oder Feuchtigkeit fern. In das Ladegerät eindringendes Wasser erhöht das Risiko eines Stromschlags.
- Verwenden Sie zum Laden des Elektrowerkzeugs nur das vorgeschriebene mitgelieferte Ladegerät
- Halten Sie das Ladegerät sauber. Schmutz und Verunreinigungen können zu Stromschlaggefahr führen.
- Prüfen Sie Ladegerät, Kabel und Stecker vor jedem Gebrauch. Verwenden Sie das Ladegerät nicht, wenn Sie Anzeichen von Schäden bemerken.
- Öffnen Sie das Ladegerät nicht selbst, Reparaturen dürfen nur von qualifiziertem Fachpersonal unter Verwendung von Original-Ersatzteilen durchgeführt werden. Beschädigte Ladegeräte, Kabel und Stecker erhöhen das Risiko eines Stromschlags.



WARNUNG!

Stromschlaggefahr!

Wiederaufladbare Batterien enthalten brennbare Stoffe. Batterien können auslaufen, sehr heiß werden, Feuer fangen oder unter

bestimmten Bedingungen explodieren, wenn sie nicht sachgemäß behandelt werden. Unsachgemäße Handhabung kann zu schweren Verletzungen führen.

- Erhitzen Sie den Akku nicht und werfen Sie ihn nicht über eine offene Flamme.
- Setzen Sie den Akku und das Heftgerät nicht direktem Sonnenlicht aus.
- Laden Sie keine nicht wiederaufladbaren Batterien auf.
- Batterien dürfen nicht zerlegt, ins Feuer geworfen oder kurzgeschlossen werden.
- Bewahren Sie den Akku außerhalb der Reichweite von Kindern auf. Wenn ein Kind oder Haustier die Batterie verschluckt, wenden Sie sich sofort an einen Arzt.
- Batteriesäure nicht mit Haut, Augen oder Schleimhäuten in Berührung bringen. Bei Kontakt mit Batteriesäure sofort mit viel Wasser spülen und einen Arzt aufsuchen.

WARNEN!

Beschädigungsgefahr!

Unsachgemäße Handhabung des Tackers kann ihn beschädigen.

- Verwenden Sie zum Reinigen des Tackers keine scheuernden Lösungsmittel.

Betriebsanweisungen

Aufladen des Akkus



- Der Akku wird teilgeladen geliefert. Laden Sie den Akku vor dem ersten Gebrauch mindestens drei Stunden lang auf.

•Wenn die LED-Akkuladeanzeige **1** während des Betriebs rot aufleuchtet, signalisiert dies, dass die Akkukapazität weniger als 30 % beträgt und der Akku aufgeladen werden sollte.

1. Stecken Sie den Netzstecker des Ladekabels **11** in eine vorschriftsmäßig installierte Steckdose.
2. Stecken Sie das Ladekabel **11** in den Micro-USB-Ladeanschluss **8**. Die LED der Akkuladeanzeige leuchtet rot.

3. Sobald die LED der Akkuladeanzeige grün leuchtet, ist der Akku vollständig geladen. Sie können jetzt das Ladekabel vom Micro-USB-Ladeanschluss abziehen.



- Über das Klammersichtfenster **6** können Sie feststellen, ob sich noch Klammern oder Nägel **7** im Klammermagazin **9** befinden.

Laden von Heftklammern/Nägeln

1. Stellen Sie sicher, dass der Tacker ausgeschaltet ist und dass der Ein-/Ausschalter **4** auf "O" steht.
2. Drücken Sie die Entriegelung und Verriegelung des Heftklammernmagazins **5** und ziehen Sie das Heftklammernmagazin **9** nach hinten heraus.
3. Platzieren Sie die Klammern oder Nägel in den Klammern (siehe Abbildung B). Es gibt Heftanleitungen.
4. Schieben Sie das Heftklammernmagazin wieder in den Tacker, bis das Heftklammernmagazin einrastet.

Tacker ein-/ausschalten

- Um den Tacker einzuschalten, stellen Sie den Netzschalter **4** auf die Position "I".
- Um den Tacker auszuschalten, schieben Sie den Netzschalter in die Position "O".

Verwenden des Tackers



WARNUNG!

Verletzungsgefahr!

Unsachgemäße Handhabung des Tackers kann zu Verletzungen führen.

- Wenn die Heftklammern gestaut sind, halten Sie den Auslöser nicht gedrückt, um den Tacker zu bedienen. Andernfalls kann das Werkzeug unerwartet starten, wenn verklemmte Heftklammern entfernt werden.



Setzen Sie den Nagelkopf **10** vorsichtig auf das weiche Werkstück. Andernfalls kann das Arbeitsobjekt beschädigt werden.

1. Halten Sie den Heftergriff **3**.
2. Setzen Sie den Hefterkopf fest auf das Werkstück und betätigen Sie den Abzug **2**. Die Heftklammern oder Nägel werden dann ausgestoßen und durch das Werkstück gestochen.

Reinigung und Instandhaltung

WARNEN!

Beschädigungsgefahr!

In das Gehäuse eindringendes Wasser oder andere Flüssigkeiten können einen Kurzschluss verursachen.

- Tauchen Sie den Tacker nicht in Wasser oder andere Flüssigkeiten.
- Achten Sie darauf, dass kein Wasser oder andere Flüssigkeiten in das Gehäuse eindringen.

WARNEN!

Beschädigungsgefahr!

Eine unsachgemäße Verwendung des Tackers kann ihn beschädigen.

- Verwenden Sie keine aggressiven Reinigungsmittel, Bürsten mit Metall- oder Nylonborsten oder scharfe oder metallische Reinigungsutensilien wie Messer, Metallschwämme usw. Sie können die Oberfläche beschädigen.

Reinigen des Tackers

Überprüfen Sie regelmäßig den Zustand des Tackers. Prüfen Sie unter anderem, ob:

- Ein-/Ausschalter **4** und Auslöser **2** sind unbeschädigt.
- Zubehör ist in gutem Zustand.
- Micro-USB-Anschluss, Ladekabel **11** ist unbeschädigt.

Wenn Sie einen Schaden feststellen, müssen Sie ihn von einer professionellen Reparaturwerkstatt reparieren lassen, um potenziellen Risiken vorzubeugen.

Verfügung

Recycling von Tacker



Elektrowerkzeuge, Akkus, Zubehör und Verpackungen sind einer umweltgerechten Verwertung zuzuführen.



Werfen Sie Elektrowerkzeuge und Akkus/Akkus nicht in den Hausmüll!

informations générales

Lecture et stockage du manuel d'utilisation



Une agrafeuse sans fil Li-Ion de 4,0 V est incluse avec ce manuel d'utilisation. Il contient des informations importantes sur la sécurité, l'utilisation et l'entretien. Veuillez lire attentivement ce manuel d'utilisation avant d'utiliser l'agrafeuse. Portez une attention particulière aux consignes de sécurité et aux avertissements. Le non-respect des instructions de ce manuel d'utilisation peut entraîner des blessures graves ou endommager l'agrafeuse. Respectez toutes les réglementations locales et nationales applicables concernant l'utilisation des agrafeuses. Conservez ce manuel d'utilisation dans un endroit sûr pour référence future. Si vous donnez votre agrafeuse à un tiers, vous devez inclure ce manuel d'utilisation



Suivez toutes les informations de sécurité suivant ce signe pour éviter des blessures ou la mort.



Pour éviter les dommages auditifs, une protection auditive doit être portée lors de l'utilisation de l'outil pour éviter une perte auditive complète.



Portez des lunettes de sécurité lorsque vous utilisez des outils.

Consignes de sécurité générales pour les outils électriques



AVERTISSEMENT Lisez toutes les consignes de sécurité, mises en garde, illustrations et détails techniques fournis avec cet outil électrique. Le non-respect des consignes de sécurité et des instructions peut entraîner un choc électrique, un incendie ou des blessures graves.

Veillez conserver tous les avertissements et instructions pour référence future.

Le terme « outil électrique » utilisé dans les consignes de sécurité fait référence aux outils électriques alimentés par le secteur (avec fil) et aux outils électriques alimentés par batterie (sans fil).

Précautions de sécurité pour les zones de travail :

- Gardez la zone de travail propre et bien éclairée. Les zones encombrées ou sombres peuvent entraîner des accidents.
- N'utilisez pas d'outils électriques dans des atmosphères explosives où des liquides, gaz ou poussières inflammables sont présents. Les outils électriques peuvent générer des étincelles pendant le travail, enflammant la poussière ou les fumées.
- Lors de l'utilisation d'outils électriques, éloignez les enfants et les passants de la scène. Si vous êtes distrait, vous risquez de perdre le contrôle de l'outil électrique.

Sécurité électrique:

- La fiche de l'outil électrique doit correspondre aux spécifications de la prise et à la puissance. Ne modifiez jamais la fiche de quelque manière que ce soit. N'utilisez pas de fiches d'adaptateur avec des outils électriques mis à la terre. Des fiches non modifiées et des prises correspondantes réduiront le risque de choc électrique.
- Évitez tout contact physique avec des surfaces mises à la terre telles que des tuyaux, des radiateurs, des cuisinières et des réfrigérateurs. Si votre corps est mis à la terre, le risque de choc électrique augmente.
- L'eau pénétrant dans l'outil électrique augmentera le risque de choc électrique, n'exposez pas l'outil électrique à la pluie ou à l'humidité.
- N'utilisez pas le cordon d'alimentation à des fins inappropriées telles que transporter des outils électriques ou débrancher le cordon d'alimentation directement de la prise. Gardez le cordon d'alimentation à l'écart de la chaleur, de l'huile, des arêtes vives et des pièces mobiles. Les fils endommagés ou emmêlés augmentent le risque de choc électrique.
- Lorsque vous utilisez des outils électriques à l'extérieur, utilisez uniquement des rallonges conçues pour une utilisation à l'extérieur. Utilisez des cordons adaptés à une utilisation en extérieur pour réduire le risque de choc électrique.
- Si l'utilisation de l'outil électrique dans un endroit humide est inévitable, protégez l'alimentation électrique avec un dispositif à courant résiduel (RCD). L'utilisation d'un RCD réduit le risque de choc électrique.

Sécurité personnelle:

- a) Soyez toujours vigilant, faites attention à ce que vous faites et faites preuve de bon sens lorsque vous utilisez des outils électriques. N'utilisez pas d'outils électriques lorsque vous êtes fatigué ou sous l'influence de drogues, d'alcool ou sous traitement médical. Une inattention temporaire lors de l'utilisation d'un outil électrique peut entraîner des blessures graves.
- b) Utilisez un équipement de protection individuelle. Portez toujours des équipements de protection tels que des lunettes, des masques anti-poussière, des chaussures de sécurité antidérapantes, des casques de sécurité ou des protections auditives lorsqu'ils sont utilisés dans des conditions appropriées. Ces mesures de protection réduiront les blessures corporelles.
- c) Empêcher tout démarrage accidentel. Assurez-vous que l'interrupteur est en position d'arrêt avant de brancher l'alimentation, d'installer une batterie ou de prendre ou de transporter des outils. Le transport d'un outil électrique avec votre doigt sur l'interrupteur ou la connexion d'un outil électrique à une source d'alimentation alors que l'interrupteur est réglé sur ON peut provoquer un accident.
- d) Avant d'allumer l'outil électrique, retirez tous les outils de réglage ou les clés. Une clé laissée sur un outil électrique peut causer des blessures.
- e) Veillez à maintenir une posture corporelle normale. Gardez votre corps en équilibre à tout moment. Cela permet un meilleur contrôle de l'outil électrique dans des situations inattendues.
- f) Habillez-vous convenablement. Ne portez pas de vêtements amples ni de bijoux. Gardez les cheveux et les vêtements éloignés des pièces mobiles. Les vêtements amples, les bijoux ou les cheveux longs peuvent se coincer dans les pièces mobiles.
- g) S'il est possible d'installer un aspirateur et un dépoussiéreur, ils doivent être installés et utilisés correctement. Les risques liés à la poussière peuvent être réduits en utilisant un dépoussiéreur.
- h) Ne soyez pas négligent et ignorez les règles de sécurité des outils électriques. Même si vous êtes très familier avec les outils électriques et que vous les utilisez régulièrement, soyez toujours vigilant. Une mauvaise utilisation des outils électriques peut entraîner des blessures graves en un instant.

Utilisation et entretien des outils électriques :

- a) Ne surchargez pas les outils électriques. Utilisez le bon outil électrique pour votre application. Le bon outil électrique fera le travail mieux et de manière plus sûre à la vitesse pour laquelle il a été conçu.
- b) Si l'interrupteur de l'outil tombe en panne, n'utilisez pas l'outil électrique. Tout outil électrique qui ne peut pas être contrôlé avec un interrupteur est dangereux et doit être réparé.
- c) Avant d'effectuer des réglages, de remplacer ou de ranger l'outil électrique, débranchez la fiche d'alimentation ou retirez la batterie rechargeable de l'outil électrique. Cette mesure de sécurité préventive réduit le risque de démarrage accidentel de l'outil électrique.
- d) Rangez les outils électriques inutilisés hors de la portée des enfants. Ne laissez personne qui n'est pas familiarisé avec les outils électriques ou qui n'a pas lu ces instructions utiliser cet outil électrique. Les outils électriques sont dangereux entre les mains d'utilisateurs non formés.
- e) Entretien minutieux des outils électriques et des outils d'insertion. Vérifiez s'il y a des pièces cassées et toute autre condition susceptible d'affecter le fonctionnement de l'outil électrique, comme un désalignement ou un grippage. Si une partie de l'outil électrique est endommagée, réparez-la avant de l'utiliser. De nombreux accidents sont causés par des outils électriques mal entretenus.
- f) Veuillez utiliser correctement les outils électriques, les accessoires et les outils de support conformément à ces instructions, en tenant compte des conditions de travail et du travail à effectuer. L'utilisation de l'outil électrique pour une opération différente de celle prévue peut entraîner une situation dangereuse.
- g) Gardez les poignées et les surfaces des poignées sèches, propres et exemptes de graisse. La poignée lisse et la surface de la poignée vous protègent pour utiliser et contrôler votre outil électrique en toute sécurité dans des circonstances imprévues.

Utilisation et entretien des outils sans fil :

- a) Les piles rechargeables ne doivent être chargées qu'à l'aide d'un chargeur recommandé par le fabricant. Les chargeurs conçus pour un type de batterie rechargeable spécifique présentent un risque d'incendie s'ils sont utilisés avec d'autres batteries rechargeables d'un type différent.
- b) N'utilisez que des piles rechargeables pour les outils électriques spécifiés. L'utilisation d'autres piles rechargeables peut entraîner des blessures et un risque d'incendie.

- c) Gardez les piles inutilisées à l'écart des trombones, des pièces de monnaie, des clés, des clous, des vis ou d'autres petits objets métalliques qui pourraient ponter les contacts. Les courts-circuits entre les contacts de la batterie peuvent provoquer des brûlures ou un incendie.
- d) En cas d'utilisation incorrecte, du liquide peut fuir de la batterie. Évitez de le toucher. En cas de contact accidentel, rincer immédiatement à l'eau. Consultez également immédiatement un médecin si le liquide entre en contact avec vos yeux. Le liquide qui s'échappe de la batterie peut provoquer des irritations cutanées ou des brûlures.
- e) N'utilisez pas de piles endommagées ou modifiées. Les batteries endommagées ou modifiées peuvent être imprévisibles et peuvent présenter un risque d'incendie, d'explosion ou de blessure.
- f) N'exposez pas les piles rechargeables au feu ou à des températures élevées. Un incendie ou des températures supérieures à 130 °C peuvent provoquer une explosion.
- g) Suivez attentivement toutes les instructions de charge de la batterie et ne chargez jamais les batteries ou les outils sans fil en dehors de la plage de température spécifiée dans les instructions. Une charge incorrecte ou une charge en dehors de la plage de température autorisée peut endommager la batterie et augmenter le risque d'incendie.

Service:

- a) Faites entretenir votre outil électrique par un technicien qualifié utilisant des pièces de rechange identiques. Cela garantira la sécurité de l'entretien de l'outil électrique.
- b) N'effectuez pas d'entretien sur des batteries rechargeables endommagées. Seul le fabricant ou une société de service agréée peut effectuer l'entretien de la batterie rechargeable.

Consignes de sécurité pour les agrafeuses à piles :

- a) Supposez toujours que l'outil électrique contient des agrafes. Une utilisation incorrecte de l'agrafeuse peut provoquer le détachement inattendu des agrafes et entraîner des blessures.
- b) Ne pointez jamais d'outils électriques vers vous ou d'autres personnes à proximité. Appuyer accidentellement sur la gâchette peut projeter des agrafes et causer des blessures.
- c) N'utilisez pas d'outil électrique tant que l'outil électrique n'est pas solidement positionné sur l'élément sur lequel vous travaillez. Si l'outil électrique n'est pas en contact avec l'article que vous manipulez, les agrafes peuvent rebondir.
- d) Si les agrafes sont coincées, débranchez l'outil électrique ou retirez la batterie. Tenter d'effacer alors que l'appareil est laissé allumé peut entraîner l'éjection inattendue des agrafes.
- e) Soyez prudent lorsque vous retirez des agrafes coincées. L'agrafeuse peut se coincer et nécessiter beaucoup de force pour retirer les agrafes lors du dégagement.
- f) N'utilisez pas cet outil électrique pour fixer le câble. Cet outil n'est pas adapté à la pose de câbles ; les agrafes peuvent endommager l'isolation des câbles et entraîner un risque d'électrocution ou d'incendie.
- g) Utilisez un équipement de recherche approprié pour détecter les câbles cachés ou consultez votre compagnie d'électricité locale. Le contact des agrafes avec des lignes sous tension peut provoquer un incendie et un choc électrique, et des dommages aux conduites de gaz peuvent entraîner des explosions. Le perçage des conduites d'eau peut causer des dommages matériels.
- h) Fixez la pièce. Un outil fixé avec un gabarit ou un étau est plus sûr qu'à la main.
- i) Protégez les outils électriques de la chaleur et de l'exposition à des conditions telles que la lumière directe du soleil, le feu, l'eau ou l'humidité. Sinon, il peut y avoir un risque d'explosion.
- j) Des gaz nocifs peuvent s'échapper si la batterie est endommagée ou mal utilisée. Dans ce cas, ouvrez immédiatement les fenêtres pour aérer la pièce. Ces vapeurs peuvent irriter vos voies respiratoires. Consultez votre médecin si vous ne vous sentez pas bien.

Consignes de sécurité pour les chargeurs (non inclus)



AVERTISSEMENT !

Risqué de blessure!

Capacités physiques, sensorielles ou mentales limitées, ou manque d'expérience ou de connaissances nécessaires.

- Les enfants doivent être surveillés. La surveillance garantit que les enfants ne jouent pas avec le chargeur.
- Le nettoyage et l'entretien du chargeur ne doivent pas être effectués par des enfants sans surveillance.



AVERTISSEMENT !

Risque de choc électrique!

Une mauvaise manipulation du chargeur peut entraîner un choc électrique.

- Gardez le chargeur à l'abri de la pluie ou de l'humidité. L'eau qui s'infiltre dans le chargeur augmente le risque d'électrocution.
- Utilisez uniquement le chargeur fourni spécifié pour charger l'outil électrique
- Gardez le chargeur propre. La saleté et les impuretés peuvent créer un risque d'électrocution.
- Vérifiez le chargeur, le câble et la prise avant chaque utilisation. N'utilisez pas le chargeur si vous remarquez des signes de dommages.
- N'ouvrez pas le chargeur vous-même, les réparations ne doivent être effectuées que par des spécialistes qualifiés utilisant des pièces de rechange d'origine. Les chargeurs, câbles et prises endommagés augmentent le risque d'électrocution.



AVERTISSEMENT !

Risque de blessure électrique !

Les piles rechargeables contiennent des substances inflammables. Les piles peuvent fuir, devenir très

chaudes, prendre feu ou exploser dans certaines conditions si elles ne sont pas manipulées correctement. Une mauvaise manipulation peut entraîner des blessures graves.

- Ne chauffez pas la batterie et ne la jetez pas au-dessus d'une flamme nue.
- N'exposez pas la batterie et l'agrafeuse à la lumière directe du soleil.
- Ne chargez pas de piles non rechargeables.
- Les piles ne doivent pas être démontées, jetées au feu ou court-circuitées.
- Rangez la batterie hors de portée des enfants. Si un enfant ou un animal domestique avale la batterie, contactez immédiatement un médecin.
- Ne laissez pas l'acide de batterie entrer en contact avec la peau, les yeux ou les muqueuses. Si vous entrez en contact avec de l'acide de batterie, rincez immédiatement et abondamment à l'eau et consultez un médecin.

WARNEN!

Risque de dommages !

Une mauvaise manipulation de l'agrafeuse peut l'endommager.

- Ne nettoyez pas l'agrafeuse avec des solvants abrasifs.

Instructions d'utilisation

Chargement de la batterie rechargeable



• La batterie est partiellement chargée à la livraison. Chargez la batterie pendant au moins trois heures avant la première utilisation.

• Si l'indicateur LED de charge de la batterie **11** s'allume en rouge pendant le fonctionnement, cela signifie que le niveau de la batterie est inférieur à 30 % et que la batterie doit être rechargée.

1. Insérez la fiche d'alimentation du câble de charge **11** dans une prise correctement installée.
2. Insérez le câble de charge **11** dans le port de charge micro USB **8**. La LED de l'indicateur de charge de la batterie s'allume en rouge.
3. Une fois que la LED de l'indicateur de charge de la batterie s'allume en vert, la batterie est complètement chargée. Vous pouvez maintenant débrancher le câble de charge du port de charge micro USB.



• Utilisez la fenêtre de visualisation des agrafes **6** pour déterminer s'il y a d'autres agrafes ou clous **7** dans la cartouche d'agrafes **9**.

Chargement des agrafes/clou

1. Assurez-vous que l'agrafeuse est éteinte et que l'interrupteur marche/arrêt **4** est réglé sur la position "O".
2. Appuyez sur la libération de la cartouche d'agrafes et verrouillez **5** et retirez la cartouche d'agrafes **9**.
3. Placez les agrafes ou les clous dans la cartouche d'agrafes (voir Figure B). Avec indication du côté d'agrafage.
4. Faites glisser la cartouche d'agrafes dans l'agrafeuse jusqu'à ce que la cartouche d'agrafes s'enclenche.

Allumer/éteindre l'agrafeuse

- Pour allumer l'agrafeuse, placez l'interrupteur marche/arrêt **4** sur la position "I".
- Pour éteindre l'agrafeuse, placez l'interrupteur marche/arrêt sur la position "O".

Utilisation de l'agrafeuse



AVERTISSEMENT !

Risqué de blessure!

Une mauvaise manipulation de l'agrafeuse peut entraîner des blessures.

- Si les agrafes sont coincées, ne maintenez pas la gâchette enfoncée pour faire fonctionner l'agrafeuse. Le non-respect de cette consigne peut entraîner le démarrage inattendu de l'outil lors du retrait des agrafes coincées.



Placez délicatement la tête de clou **10** sur la pièce souple. Sinon, l'objet de travail peut être endommagé.

1. Tenez la poignée de l'agrafeuse **3**.
2. Placez fermement la tête de l'agrafeuse sur l'objet de travail et appuyez sur la gâchette **2**. Les agrafes ou les clous sont ensuite éjectés et percés à travers la pièce.

Nettoyage et entretien

WARNEN!

Risque de dommages !

L'eau ou d'autres liquides qui s'infiltrent dans le boîtier peuvent provoquer un court-circuit.

- N'immergez pas l'agrafeuse dans l'eau ou tout autre liquide.
- Assurez-vous qu'aucune eau ou autre liquide ne pénètre dans le boîtier.

WARNEN!

Risque de dommages !

Une mauvaise utilisation de l'agrafeuse peut l'endommager.

- N'utilisez pas de nettoyants agressifs, de brosses à poils métalliques ou en nylon, ou d'ustensiles de nettoyage pointus ou métalliques tels que des couteaux, des éponges métalliques, etc. Ils peuvent endommager la surface.

Nettoyer l'agrafeuse

Vérifiez régulièrement l'état de l'agrafeuse. Vérifiez entre autres :

- L'interrupteur Marche/Arrêt **4** et la gâchette **2** ne sont pas endommagés.
- Les accessoires sont en bon état.
- Port micro USB, le câble de charge **11** n'est pas endommagé.

Si vous constatez des dommages, vous devez le faire réparer par un atelier de réparation professionnel pour éviter les risques potentiels.

Disposition

Mise au rebut de l'agrafeuse



Les outils électriques, les batteries, les accessoires et les emballages doivent être remis à un recyclage respectueux de l'environnement.



Ne jetez pas les outils électriques et les piles/accumulateurs rechargeables avec les ordures ménagères !

Informazione Generale

Letture e salvataggio del manuale utente



In questo manuale dell'utente è inclusa una pinzatrice senza fili agli ioni di litio da 4,0 V. Contiene informazioni importanti sulla sicurezza, l'uso e la cura. Leggere attentamente questo manuale utente prima di utilizzare la cucitrice. Prestare particolare attenzione alle istruzioni di sicurezza e alle avvertenze. La mancata osservanza delle istruzioni in questo manuale utente potrebbe causare lesioni gravi o danni alla cucitrice. Rispettare tutte le normative locali e nazionali applicabili in merito all'uso della cucitrice. Conservare questo manuale utente in un luogo sicuro per riferimenti futuri. Se si cede la cucitrice a terzi, è necessario allegare questo manuale utente.



Seguire tutte le informazioni sulla sicurezza seguendo questo segno per evitare possibili lesioni o morte.



Per evitare danni all'udito, è necessario indossare una protezione per l'udito durante il funzionamento dello strumento per evitare la completa perdita dell'udito.



Indossare occhiali di sicurezza durante l'utilizzo degli strumenti.

Istruzioni generali per la sicurezza dell'utensile elettrico



AVVERTENZA Leggere tutte le istruzioni di sicurezza, le precauzioni, le illustrazioni e i dettagli tecnici forniti con questo elettro-utensile. La mancata osservanza delle precauzioni e delle istruzioni di sicurezza può causare scosse elettriche, incendi o lesioni gravi.

Si prega di salvare tutte le avvertenze e le istruzioni per riferimento futuro.

Il termine "utensile elettrico" utilizzato nelle istruzioni di sicurezza si riferisce agli utensili elettrici alimentati dalla rete (con cavo) e agli utensili elettrici alimentati a batteria (senza fili).

Precauzioni di sicurezza per le aree di lavoro:

- Mantenere l'area di lavoro pulita e ben illuminata. Le aree disordinate o scure possono causare incidenti.
- Non utilizzare gli utensili elettrici in atmosfere esplosive in cui sono presenti liquidi, gas o polvere infiammabili. Gli utensili elettrici possono generare scintille durante il lavoro, innescando polvere o fumi.
- Quando si utilizzano utensili elettrici, tenere i bambini e gli astanti lontani dalla scena. Se sei distratto, potresti perdere il controllo dell'utensile elettrico.

Sicurezza elettrica:

- La spina dell'utensile elettrico deve corrispondere alle specifiche della presa e alla potenza. Non modificare mai la spina in alcun modo. Non utilizzare spine adattatrici con utensili elettrici collegati a terra. Le spine non modificate e le prese corrispondenti riducono il rischio di scosse elettriche.
- Evitare il contatto fisico con superfici messe a terra come tubi, radiatori, cucine e frigoriferi. Se il tuo corpo entra in contatto con questi luoghi, aumenta il rischio di scosse elettriche.
- L'ingresso di acqua nell'utensile elettrico aumenterà il rischio di scosse elettriche, non esporre l'utensile elettrico a pioggia o umidità.
- Non utilizzare il cavo di alimentazione per scopi impropri come trasportare utensili elettrici, appenderlo o scollegare il cavo di alimentazione direttamente dalla presa. Tenere il cavo di alimentazione lontano da fonti di calore, olio, spigoli vivi e parti mobili. I fili danneggiati o aggrovigliati aumentano il rischio di scosse elettriche.
- Quando si utilizzano utensili elettrici all'aperto, utilizzare solo prolunghette progettate per l'uso all'aperto. Utilizzare cavi adatti per uso esterno per ridurre il rischio di scosse elettriche.
- Se è inevitabile utilizzare l'utensile elettrico in un luogo umido, proteggere l'alimentazione con un dispositivo di corrente residua (RCD). L'uso di un RCD riduce il rischio di scosse elettriche.

Sicurezza personale:

- a) Sii sempre vigile, presta attenzione a ciò che stai facendo e usa il buon senso. Non utilizzare utensili elettrici quando si è operati di lavoro o sotto l'effetto di droghe, alcol o sotto trattamento medico. L'uso involontario di utensili elettrici può causare gravi lesioni personali.
- b) Utilizzare dispositivi di protezione individuale. Indossare sempre dispositivi di protezione come occhiali, maschere antipolvere, scarpe di sicurezza antiscivolo, elmetti o protezioni per l'udito se utilizzati in condizioni appropriate. Queste misure di protezione ridurranno le lesioni personali.
- c) Impedire l'avviamento accidentale. Assicurarsi che l'interruttore sia in posizione off prima di collegarlo a una fonte di alimentazione, installare un pacco batteria o sollevare o trasportare uno strumento. Il trasporto di un utensile elettrico con il dito sull'interruttore o il collegamento dell'utensile elettrico a una fonte di alimentazione mentre l'interruttore è impostato su ON può causare un incidente.
- d) Prima di accendere l'utensile elettrico, rimuovere eventuali strumenti di regolazione o chiavi. Una chiave inglese lasciata sulle parti rotanti di un utensile elettrico può causare lesioni personali.
- e) Abbi cura di mantenere la normale postura del corpo. Mantieni il tuo corpo in equilibrio in ogni momento. Ciò consente un migliore controllo dell'utensile elettrico in situazioni impreviste.
- f) Vestirti in modo appropriato. Non indossare abiti larghi o gioielli. Tenere i capelli e gli indumenti lontani dalle parti in movimento. Abiti larghi, gioielli o capelli lunghi possono rimanere impigliati nelle parti in movimento.
- g) Se è possibile installare un aspirapolvere e un depolveratore, è necessario installarli e utilizzarli correttamente. I rischi legati alla polvere possono essere ridotti utilizzando un depolveratore.
- h) Non essere negligente e ignora le regole di sicurezza degli utensili elettrici, anche se hai molta familiarità con gli utensili elettrici e li usi frequentemente, sii sempre vigile. L'uso improprio di un utensile elettrico può causare gravi lesioni in un istante.

Uso e manutenzione di elettro utensili:

- a) Non sovraccaricare gli utensili elettrici. Usa l'utensile elettrico giusto per la tua applicazione. L'utensile elettrico giusto farà il lavoro in modo migliore e più sicuro alla velocità per cui è stato progettato.
- b) Se l'interruttore dell'utensile si guasta, non utilizzare l'utensile elettrico. Qualsiasi utensile elettrico che non può essere controllato con un interruttore è pericoloso e deve essere riparato.
- c) Prima di effettuare qualsiasi regolazione, sostituire o riporre l'utensile elettrico, scollegare la spina di alimentazione o rimuovere la batteria ricaricabile dall'utensile elettrico. Questa misura di sicurezza preventiva riduce il rischio di avviare accidentalmente l'utensile elettrico.
- d) Conservare gli utensili elettrici inutilizzati fuori dalla portata dei bambini. Non consentire a nessuno che non abbia familiarità con gli utensili elettrici o che non abbia letto queste istruzioni di utilizzare questo utensile elettrico. Gli utensili elettrici sono pericolosi nelle mani di utenti non addestrati.
- e) Mantenere con cura gli utensili elettrici. Verificare la presenza di parti mobili rotte e qualsiasi altra condizione che potrebbe influire sul funzionamento dell'utensile elettrico, come disallineamento o blocchi. Se una qualsiasi parte dell'utensile elettrico è danneggiata, ripararla prima dell'uso. Molti incidenti sono causati da utensili elettrici mal tenuti.
- f) Utilizzare correttamente utensili elettrici, accessori e strumenti di supporto secondo queste istruzioni, tenendo conto delle condizioni di lavoro e del lavoro da eseguire. L'uso dell'utensile elettrico per un'operazione diversa da quella prevista può causare una situazione pericolosa.
- g) Mantenere le impugnature e le superfici delle impugnature asciutte, pulite e prive di grasso. L'impugnatura liscia e la superficie dell'impugnatura ti proteggono per azionare e controllare il tuo utensile elettrico in sicurezza in circostanze impreviste.

Uso e manutenzione di utensili a batteria:

- a) Le batterie ricaricabili devono essere caricate solo utilizzando un caricabatterie consigliato dal produttore. I caricatori progettati per un tipo specifico di batteria ricaricabile presentano un rischio di incendio se utilizzati con altre batterie ricaricabili di tipo diverso.
- b) Utilizzare solo batterie ricaricabili per utensili elettrici specifici. L'uso di altre batterie ricaricabili può causare lesioni e pericolo di incendio.
- c) Tenere le batterie inutilizzate lontane da graffette, monete, chiavi, chiodi, viti o altri piccoli oggetti metallici che potrebbero creare un ponte tra i contatti. I cortocircuiti tra i contatti della batteria possono causare ustioni o incendi.

d) Se utilizzato in modo improprio, il liquido potrebbe fuoriuscire dalla batteria. Evita di toccarlo. In caso di contatto accidentale, sciacquare immediatamente con acqua. Rivolgersi inoltre immediatamente a un medico se il liquido viene a contatto con gli occhi. La fuoriuscita di liquido dalla batteria può causare irritazioni o ustioni alla pelle.

e) Non utilizzare batterie danneggiate o modificate. Le batterie danneggiate o modificate possono essere imprevedibili e possono presentare un rischio di incendio, esplosione o lesioni.

f) Non esporre le batterie ricaricabili al fuoco o alle alte temperature. Il fuoco o temperature superiori a 130 °C possono causare esplosioni.

g) Seguire attentamente tutte le istruzioni per la ricarica della batteria e non caricare mai batterie o strumenti cordless al di fuori dell'intervallo di temperatura specificato nelle istruzioni. Una carica impropria o una carica al di fuori dell'intervallo di temperatura consentito può danneggiare la batteria e aumentare il rischio di incendio.

Servizio:

a) Far riparare l'utensile elettrico da un tecnico qualificato utilizzando solo parti di ricambio identiche. Ciò garantirà il mantenimento della sicurezza dell'utensile elettrico.

b) Non eseguire mai la manutenzione su batterie ricaricabili danneggiate. Solo il produttore o le società di assistenza autorizzate possono eseguire la manutenzione sulle batterie ricaricabili.

Istruzioni di sicurezza per cucitrici a batteria:

a) Presupporre sempre che l'utensile elettrico contenga punti metallici. Il funzionamento errato della cucitrice può causare il rilascio imprevisto dei punti metallici, causando lesioni.

b) Non puntare mai gli elettrodomestici verso te stesso o altri vicino a te. Premendo accidentalmente il grilletto si possono sparare punti metallici e causare lesioni.

c) Non azionare un utensile elettrico fino a quando l'utensile elettrico non è posizionato saldamente sull'oggetto su cui si sta operando. Se l'utensile elettrico non è in contatto con l'oggetto che stai maneggiando, le graffette potrebbero rimbalzare.

d) Se i punti metallici sono inceppati, scollegare l'utensile elettrico o rimuovere la batteria. Tentare di cancellare mentre il dispositivo è lasciato acceso può causare l'espulsione imprevista dei punti metallici.

e) Prestare attenzione durante la rimozione dei punti metallici inceppati. La cucitrice può incepparsi e richiedere molta forza per rimuovere i punti metallici durante la rimozione.

f) Non utilizzare questo utensile elettrico per fissare il cavo. Questo strumento non è adatto per fissare i cavi; le graffette possono danneggiare l'isolamento del cavo e causare scosse elettriche o pericolo di incendio.

g) Utilizzare apparecchiature di ricerca adeguate per rilevare eventuali cavi nascosti o consultare la società di servizi locali. Il contatto delle graffette con linee sotto tensione può causare incendi e scosse elettriche e danni ai tubi del gas possono causare esplosioni. I tubi dell'acqua perforati possono causare danni alla proprietà.

h) Fissare il pezzo. Uno strumento fissato con una maschera o una morsa è più sicuro che a mano.

i) Proteggere gli utensili elettrici dal calore e dall'esposizione a condizioni quali luce solare diretta, fuoco, acqua o umidità. In caso contrario potrebbe esserci il rischio di esplosione.

j) Se la batteria viene danneggiata o utilizzata in modo improprio, possono fuoriuscire gas irritanti. In questo caso, aprire le finestre per ventilare l'area. Rivolgiti al medico se non ti senti bene. Questi gas possono irritare le vie aeree.

Istruzioni di sicurezza per caricabatterie (non inclusi)



Rischio di infortunio!

Capacità fisiche, sensoriali o mentali limitate o mancanza di esperienza o conoscenza necessaria.

- I bambini devono essere sorvegliati. La supervisione assicura che i bambini non giochino con il caricatore.
- Qualsiasi pulizia e manutenzione del caricabatteria non deve essere eseguita da bambini incustoditi.



AVVERTIMENTO!

Rischio di scossa elettrica!

L'uso improprio del caricabatteria può causare scosse elettriche.

- Tenere il caricabatterie lontano dalla pioggia o dall'umidità. L'acqua che penetra nel caricatore aumenta il rischio di scosse elettriche.
- Utilizzare solo il caricatore in dotazione specificato per caricare l'utensile elettrico.
- Tenere pulito il caricabatteria. Sporcizia e impurità possono creare un rischio di scossa elettrica.
- Controllare il caricabatteria, il cavo e la spina prima di ogni utilizzo. Non utilizzare il caricabatteria se si notano segni di danneggiamento.
- Non aprire il caricabatteria da soli, le riparazioni devono essere eseguite solo da specialisti qualificati utilizzando ricambi originali. Caricabatterie, cavi e spine danneggiati aumentano il rischio di scosse elettriche.



AVVERTIMENTO!

Pericolo di lesioni elettriche!

Le batterie ricaricabili contengono sostanze infiammabili. Le batterie possono perdere liquido, diventare molto calde,

prendere fuoco o esplodere in determinate condizioni se non vengono maneggiate correttamente. Una manipolazione impropria può causare gravi lesioni.

- Non riscaldare la batteria né gettarla su fiamme libere.
- Non esporre la batteria e la cucitrice alla luce solare diretta.
- Non caricare batterie non ricaricabili.
- Le batterie non devono essere smontate, gettate nel fuoco o cortocircuitate.
- Conservare la batteria fuori dalla portata dei bambini. Se un bambino o un animale domestico ingerisce la batteria, contattare immediatamente un medico.
- Evitare che l'acido della batteria venga a contatto con la pelle, gli occhi o le mucose. In caso di contatto con l'acido della batteria, sciacquare immediatamente con abbondante acqua e consultare un medico.

AVVISO!

Rischio di danni!

La manipolazione impropria della cucitrice può danneggiarla.
– Non pulire la cucitrice con solventi abrasivi.

Istruzioni per l'uso

Ricarica della batteria ricaricabile



• La batteria è parzialmente carica al momento della consegna. Caricare la batteria per almeno tre ore prima del primo utilizzo.

• Se il LED di carica della batteria **11** si accende in rosso durante il funzionamento, significa che il livello della batteria è inferiore al 30% e la batteria deve essere caricata.

1. Inserire la spina di alimentazione del cavo di ricarica **11** in una presa correttamente installata.

2. Inserire il cavo di ricarica **11** nella porta di ricarica micro USB **8**. Il LED sull'indicatore di carica della batteria si accende in rosso.

3. Quando il LED sull'indicatore di carica della batteria si accende in verde, la batteria è completamente carica. Ora puoi scollegare il cavo di ricarica dalla porta di ricarica micro USB.



• Utilizzare la finestra di visualizzazione dei punti metallici **6** per determinare se ci sono altri punti metallici o chiodi **7** nella cartuccia punti **9**.

Installa graffette o chiodi

1. Assicurarsi che la cucitrice sia spenta e che l'interruttore di accensione/spengimento **4** sia impostato sulla posizione "O".
2. Premere il rilascio della cartuccia punti e bloccare **5** ed estrarre la cartuccia punti **9**.
3. Posizionare i punti metallici o chiodi nella cartuccia punti (vedere la Figura B). Con indicazione lato pinzatura.
4. Reinserrire la cartuccia punti nella cucitrice finché la cartuccia non scatta in posizione.

Accendere/spengere la cucitrice

- Per accendere la cucitrice, posizionare l'interruttore di alimentazione **4** in posizione "I".
- Per spegnere la cucitrice, far scorrere l'interruttore di alimentazione in posizione "O".

Usando la pinzatrice



AVVERTIMENTO!

Rischio di infortunio!

L'uso improprio della cucitrice può causare lesioni.

– Se i punti metallici sono inceppati, non tenere premuto il grilletto per azionare la graffatrice. In caso contrario, lo strumento potrebbe avviarsi inaspettatamente durante la rimozione dei punti inceppati.



Posizionare con cautela la testa del chiodo **10** sul pezzo morbido. In caso contrario, l'oggetto di lavoro potrebbe essere danneggiato.

1. Tenere la maniglia della cucitrice **3**.
2. Posizionare saldamente la testa della cucitrice sull'oggetto da lavorare e premere il grilletto **2**, quindi espellere la graffetta o il chiodo e perforare il pezzo da lavorare.

Pulizia e manutenzione

AVVISO!

Rischio di danni!

L'acqua o altri liquidi che penetrano nella custodia possono causare un cortocircuito.

- Non immergere la cucitrice in acqua o altri liquidi.
- Assicurarsi che acqua o altri liquidi non entrino nella custodia.

AVVISO!

Rischio di danni!

L'uso improprio della cucitrice può danneggiarla.

-- Non utilizzare detergenti aggressivi, spazzole con setole metalliche o di nylon o strumenti per la pulizia affilati o metallici come coltelli, spugne metalliche, ecc. Possono danneggiare la superficie.

Pulizia della cucitrice

Controllare regolarmente le condizioni della cucitrice. Tra le altre cose, controlla per assicurarti:

- L'interruttore On/Off **4** e il grilletto **2** non sono danneggiati.
- Gli accessori sono in buone condizioni.
- porta micro USB, il cavo di ricarica **11** non è danneggiato.

Se trovi qualche danno, devi farlo riparare da un'officina di riparazione professionale per prevenire potenziali rischi.

Smaltimento

Smaltimento della pinzatrice



Gli elettrodomestici, le batterie, gli accessori e gli imballaggi devono essere conferiti a un riciclaggio ecologico.



Non smaltire elettrodomestici e batterie/accumulatori ricaricabili come rifiuti domestici!