

# SONANCE

## BEYOND SOUND

VISUAL EXPERIENCE EXTREME SERIES

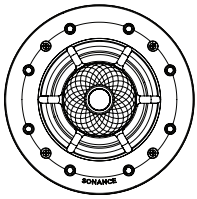
Speakers: VXXT6 | VXXT6R | VXXT8R | VXXT6R SST

Subwoofers: VXXT8RW | VXXT10RW

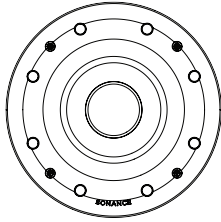
**INSTALLATION MANUAL**

# VISUAL EXPERIENCE SPEAKERS

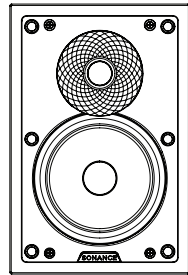
VXXT6 | VXXT6R | VXXT8R | VXXT6R SST  
VXXT8RW | VXXT10RW



ROUND  
SPEAKER  
FRONT VIEW



ROUND  
WOOFER  
FRONT VIEW



RECTANGLE  
SPEAKER  
FRONT VIEW

## TABLE OF CONTENTS

2	Box Contents
2	Introduction
2	Important Safety Information
2	Installation
4	Painting
5	Technical Specifications
8	Warranty

## BOX CONTENTS

### VXXT6 | VXXT6R | VXXT8R | VXXT6R SST Speakers

- (1) Quickstart Guide
- (1) Cutout Template
- (2) Speakers (SST model ship as each)
- XPC Micro Trim Grille(s)

### VXXT8RW | VXXT10RW Subwoofer

- (1) Quickstart Guide
- (1) Cutout Template
- (1) Subwoofer
- (1) XPC Micro Trim Grille - White

## INTRODUCTION

Thank you for purchasing Sonance Visual Experience Series Extreme product. This guide covers the following VXXT models: VXXT6, VXXT6R, VXXT8R, VXXT6R SST speakers and VXXT8RW, VXXT10RW subwoofers.

## IMPORTANT SAFETY INSTRUCTIONS

Always follow these basic safety precautions when using your speakers to reduce the risk of fire, electric shock, and injury to people or objects.

1. Read all the safety and operating instructions before operating the speaker and retain them for future reference.

2. Adhere to all warnings and precautions listed on the speaker and in the operating instructions.
3. Follow all operating instructions.

## BEFORE INSTALLATION: RETRO-FIT

1. Determine the location for the speaker.
2. Perform an obstruction survey to be certain that there are no studs, conduit, pipes, heating ducts, pocket doors or air returns in the wall cavity that will interfere with the speaker.
3. Position the included cutout template where the speaker is to be located and pencil an outline on the wall or ceiling.
  - If you are unsure about obstructions, drill a small hole in the center of the outline and insert a coat hanger wire into the hole to feel-around for possible obstructions.

4. Cut the mounting hole using tools appropriate for the construction, and run the speaker wires from the mounting hole to the amplifier location.

**NOTE: Consult local building codes before running speaker wires through walls.**

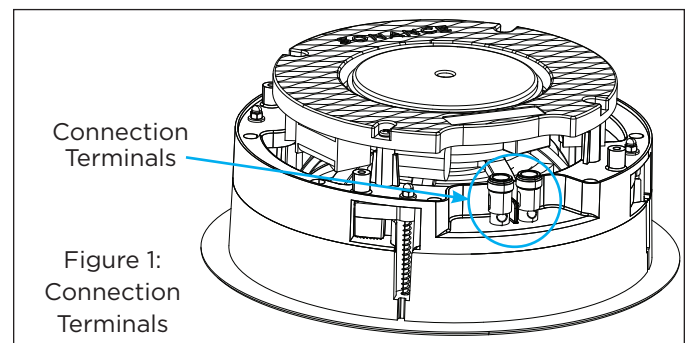
## INSTALLATION

Sonance Visual Experience Series Extreme speakers feature an exclusive integral RotoLock® mounting system for quick mounting directly into existing walls and ceilings.

1. Strip 1/4" - 1/2" (6mm - 13mm) of insulation from each speaker lead. Twist the strands or tin the exposed wire with solder to ensure that there are no stray strands.

**NOTE: Stray strands that touch each other can cause a short circuit that can damage the amplifier.**

2. The speaker's connector posts are spring-loaded. Push the top of each connector post down to open the connector and insert the exposed wires into the holes in the posts (see Figure 1).



3. The speaker's positive post is labeled with a red dot; the negative post is labeled with a black dot.
  - The VXXT6R SST has two sets of connection terminals, located on opposite sides of the crossover board.

- After making all connections, double-check that you connected amplifier “+” to speaker “+” and amplifier “-” to speaker “-”.
- Make sure all the Roto-Lock toggle feet are retracted so that they are tucked within the mounting hole’s border.

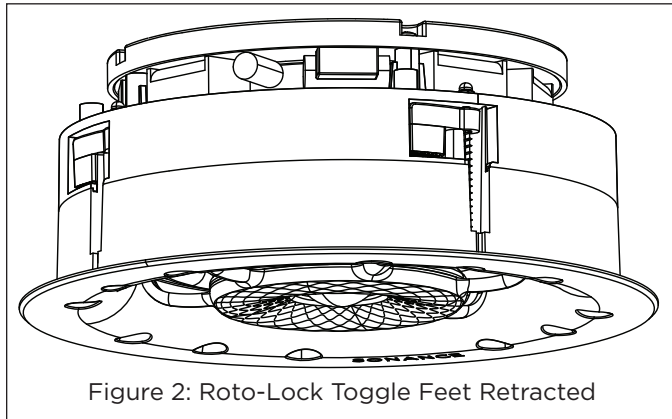


Figure 2: Roto-Lock Toggle Feet Retracted

**NOTE: The Roto-Lock system can accommodate a wall material thickness of 1.52” (38.5mm) with the toggle foot cap removed the system can accommodate a wall material thickness of 1.97” (50mm). To remove the clamp feet, use a small screwdriver to gently release the locking levers (see Figure 3). Then remove the feet from the clamps (see Figure 4).**

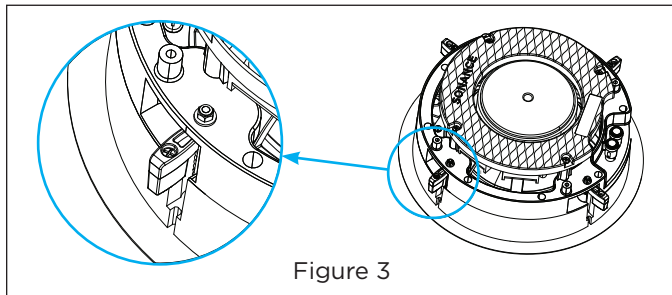


Figure 3

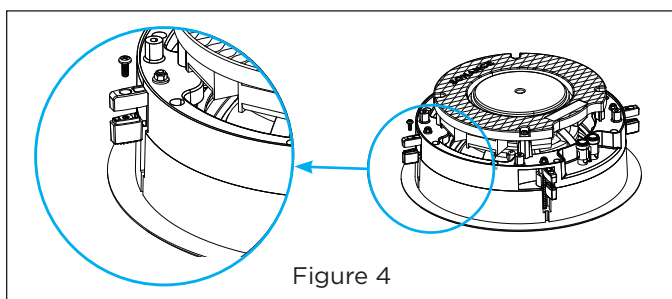


Figure 4

- Insert the speaker into the mounting hole and tighten the four screws on the front of the speaker baffle (see Figure 5).

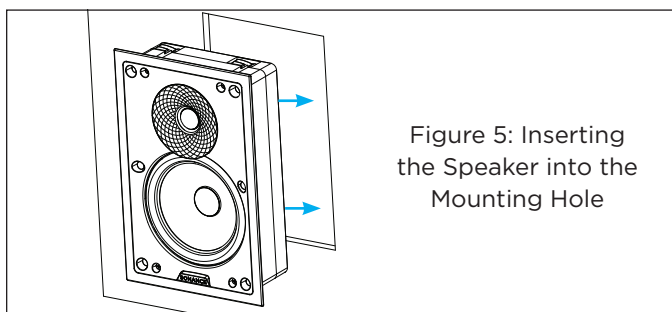


Figure 5: Inserting the Speaker into the Mounting Hole

- The Roto-Lock clamps will automatically rotate into position and begin clamping the speaker.

**IMPORTANT: Always use low torque settings when using a screw gun; never over tighten.**

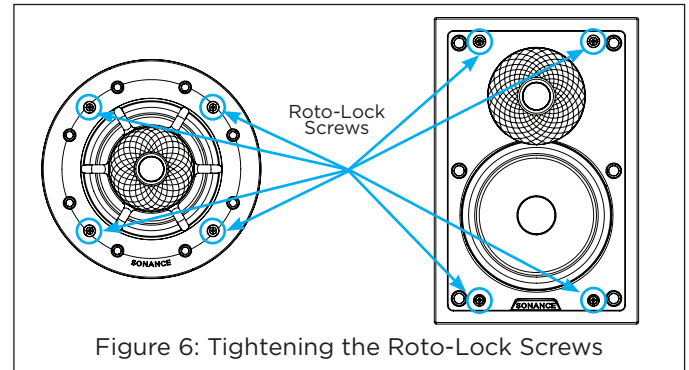


Figure 6: Tightening the Roto-Lock Screws

**NOTE: Adjusting the tension of the Roto-Lock clamps so that the speaker frame is flat will help ensure that the grille contacts the wall all the way around the speaker for a proper fit.**

- The Visual Experience Extreme Grille features Sonance Extreme Post Capture (XPC) technology. XPC holds the grille in place by several small magnets located on the posts of the grille and inside the post holes located on the speaker baffle (see Figure 7). Place the grille against the speaker, aligning the grille posts and post holes. The magnets will pull the grille posts into the post holes and hold the grille firmly in place. When the grille is properly installed, the grille trim should make contact with the mounting surface all the way around the speaker.

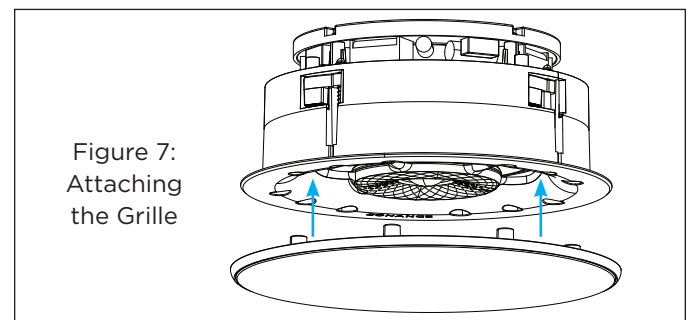


Figure 7:  
Attaching  
the Grille

**NOTE: Extreme Post Capture technology involves strong magnets that may cause a fast connection when the grille is being installed onto the speaker. Take caution when aligning the posts to the holes to protect fingers from getting caught.**

**! IMPORTANT: VVXT Subwoofers are heavy and should not be installed in a drywall or gypsum panel ceiling without proper support such as plywood panel backing. Make certain all installation materials are properly rated for the weight of the product prior to installation.**

## SUBWOOFER APPLICATION NOTE

**CAUTION: Safety Lanyard for Overhead Installations. Due to the weight of Sonance VVXT Subwoofers, Sonance recommends adding a safety lanyard (not**

**included) to secure the back of the sub to the ceiling cavity by connecting from the subwoofer to an anchor point within the ceiling cavity.**

VXXT Extreme Subwoofers perform well when installed into surfaces with back volume greater than 2 cubic feet for the VXXT8RW and 3 cubic feet for the VXXT10RW. If desired, a simple back box can be constructed. There is no specific requirement for back box construction, but a sufficient back box should follow these best practices:

- Internal Volume: 2 ft<sup>3</sup> (57 L) or greater for VXXT8RW and 3 ft<sup>3</sup> (85 L) or greater for VXXT10RW
- Material: 3/4" (19mm) MDF or Baltic Birch plywood for best results
- Sealing: The back box should be fully sealed to prevent air leaks, which can affect performance and introduce unwanted noise
- Minimum internal depth: at least two inches deeper than the subwoofer mounting depth
- Internal bracing: To reduce panel vibration, add internal braces perpendicular to the longest panel, supporting the full width and depth of the enclosure

## PAINTING THE GRILLES

Sonance Visual Experience Series speaker grilles completely cover the exposed speaker frame, so only the grilles (not the speakers themselves) require painting.

**NOTE: Sonance XPC grilles have a frame behind the magnets which should be shielded during painting to prevent a visible pattern when installed on the black speaker face. Shielding can be achieved by using a thin round film slid behind the frame, on the back of the grille. Sonance also offers grille painting service to ensure paint is properly matched and applied.**

1. Prime the grille with a metal primer/bonder in a spray can. Carefully follow the manufacturer's directions on the can.
2. We recommend using water-based latex paint on the grilles. Thin the paint with a proper thinning agent to a ratio of 1:1 paint-to-thinner, and strain it through a standard mesh strainer to remove any lumps.

**IMPORTANT: Due to its increased durability, oil-based paint should be considered for VP Extreme Series Speakers that are installed outdoors.**

3. Use a small touch-up gun or cap-spray gun with a #3 tip for painting.
  - Set the nozzle with a medium to wide fan.
  - Set the pressure regulator to 60psi.
  - Lightly spray the front of the grille in three quick strokes from approximately ten inches away.
  - Let the paint set for a minute, then turn the grille 90° and lightly spray the grille again in three quick strokes.
  - Repeat this step until all four sides of the grille have been evenly painted.
4. While the paint is still wet, inspect the grille and make sure that excess paint has not collected underneath the grille frame, and that none of the grille perforations are filled with paint. If any are, use compressed air to blow the paint out of the perforations.

**IMPORTANT: If you find any grille perforations that are plugged with paint after the paint has dried, use a straight pin or sewing needle to carefully remove the paint.**

5. Once the paint has thoroughly dried, mount the grille on the speaker.

## TECHNICAL SPECIFICATIONS

### VXXT6

Tweeter	1" (25mm) waterproof cloth dome, Ferrofluid-cooled, acoustic back chamber
Woofers	6.5" (165mm) polypropylene cone, Santoprene surround
Dispersion Technology	Sinusoidal textured waveguide
Frequency Response	45Hz - 20kHz +/-3dB
Impedance	8 ohms nominal; 6 ohms minimum
Power Handling	5 watts minimum; 125 watts maximum
Sensitivity	89dB SPL (2.83V/1 meter)
IP Rating	IP-66
Temperature Range	-40°F to 194°F (-40°C to 90°C)
Micro Trim Grill (WxH)	8.24" x 12.13" (209.4mm x 308.2mm)
Trimless Grille (WxH)	7.88" x 11.77" (200.1mm x 298.9mm)
Speaker (Dia x D)	7.77" x 11.66" x 3.4" (197.3mm x 296.1mm x 86.5mm)
Mounting Depth (D)	3.29" (83.6mm)
Mounting Depth + Retrofit Encl.	3.73" (94.8mm)
Cut-Out Dims (WxH)	6.9375" x 10.75" (176mm x 273mm)
Shipping Weight	14.33 lbs. (6.5kg) pair

### VXXT6R

Tweeter	1" (25mm) waterproof cloth dome, Ferrofluid-cooled, acoustic back chamber
Woofers	6.5" (165mm) polypropylene cone, Santoprene surround
Dispersion Technology	Sinusoidal textured waveguide
Frequency Response	45Hz - 20kHz +/-3dB
Impedance	8 ohms nominal; 6 ohms minimum
Power Handling	5 watts minimum; 125 watts maximum
Sensitivity	89dB SPL (2.83V/1 meter)
IP Rating	IP-66
Temperature Range	-40°F to 194°F (-40°C to 90°C)
Round Micro Trim Grille (Dia)	9.64" (244.8mm)
Round Trimless Grille (Dia)	9.28" (235.6mm)
Square Micro Trim Grill (WxH)	9.64" x 9.64" (244.8mm x 244.8mm)
Square Trimless Grille (WxH)	9.28" x 9.28" (235.6mm x 235.6mm)
Mounting Depth + Retrofit Encl.	3.73" (94.8mm)
Speaker (Dia x D)	9.17" x 3.74" (232.8mm x 94.9mm)
Mounting Depth (D)	3.62" (92mm)
Mounting Depth + Retrofit Encl.	5.06" (128.5mm)
Cut-Out Dims (WxH)	8.25" (210mm)
Shipping Weight	13.67 lbs. (6.2kg) pair

## TECHNICAL SPECIFICATIONS

### VXXT6R SST

Tweeter	1" (25mm) Dual voice coil, waterproof cloth dome, Ferrofluid-cooled, acoustic back chamber
Woofer	6.5" (165mm) Dual voice coil, polypropylene cone, Santoprene surround
Dispersion Technology	Sinusoidal textured waveguide
Frequency Response	45Hz - 20kHz +/-3dB
Impedance	8 ohms nominal; 6 ohms minimum
Power Handling	5 watts minimum; 125 watts maximum
Sensitivity	89dB SPL (2.83V/1 meter)
IP Rating	IP-66
Temperature Range	-40°F to 194°F (-40°C to 90°C)
Round Micro Trim Grille (Dia)	9.64" (244.8mm)
Round Trimless Grille (Dia)	9.28" (235.6mm)
Square Micro Trim Grill (WxH)	9.64" x 9.64" (244.8mm x 244.8mm)
Square Trimless Grille (WxH)	9.28" x 9.28" (235.6mm x 235.6mm)
Speaker (Dia x D)	9.17" x 3.74" (232.8mm x 94.9mm)
Mounting Depth (D)	3.62" (92mm)
Mounting Depth + Retrofit Encl.	5.06" (128.5mm)
Cut-Out Dims (WxH)	8.25" (210mm)
Shipping Weight	7.72 lbs. (3.5kg) each

### VXXT8R

Tweeter	1.2" (30mm) waterproof cloth dome, Ferrofluid-cooled, acoustic back chamber
Woofer	8" (203mm) polypropylene cone, Santoprene surround
Dispersion Technology	Sinusoidal textured waveguide
Frequency Response	38Hz - 20kHz +/-3dB
Impedance	8 ohms nominal; 6 ohms minimum
Power Handling	5 watts minimum; 130 watts maximum
Sensitivity	90dB SPL (2.83V/1 meter)
IP Rating	IP-66
Temperature Range	-40°F to 194°F (-40°C to 90°C)
Round Micro Trim Grille (Dia)	11.54" (293.2mm)
Round Trimless Grille (Dia)	11.17" (283.8mm)
Square Micro Trim Grill (WxH)	11.54" x 11.54" (293.1mm x 293.1mm)
Square Trimless Grille (WxH)	11.18" x 11.18" (283.9mm x 283.9mm)
Speaker (Dia x D)	11.07" x 3.88" (282.8mm x 98.7mm)
Mounting Depth (D)	3.77" (95.8mm)
Mounting Depth + Retrofit Encl.	5.85" (148.6mm)
Cut-Out Dims (WxH)	10.125" (257mm)
Shipping Weight	18.74 lbs. (8.5kg) pair

## TECHNICAL SPECIFICATIONS

### VXXT8RW

Woofer	8" (203mm) polypropylene cone, high excursion Santoprene surround
Frequency Response	35Hz - 250kHz +/-3dB
Impedance	4 ohms nominal
Power Handling	5 watts minimum; 200 watts maximum
Sensitivity	90dB SPL (2.83V/1 meter)
IP Rating	IP-67
Temperature Range	-40°F to 194°F (-40°C to 90°C)
Round Micro Trim Grille (Dia)	11.54" (293.2mm)
Round Trimless Grille (Dia)	11.17" (283.8mm)
Square Micro Trim Grill (WxH)	11.54" x 11.54" (293.1mm x 293.1mm)
Square Trimless Grille (WxH)	11.21" x 11.21" (284.7mm x 284.7mm)
Speaker (Dia x D)	11.07" x 5.5" (232.8mm x 139.9mm)
Mounting Depth (D)	5.39" (137mm)
Cut-Out Dims (WxH)	10.125" (257mm)
Shipping Weight	16.2 lbs. (7.35kg) Each

### VXXT10RW

Woofer	10" (254mm) polypropylene cone, high excursion Santoprene surround
Frequency Response	30Hz - 250kHz +/-3dB
Impedance	4 ohms nominal
Power Handling	5 watts minimum; 300 watts maximum
Sensitivity	90dB SPL (2.83V/1 meter)
IP Rating	IP-66
Temperature Range	-40°F to 194°F (-40°C to 90°C)
Round Micro Trim Grille (Dia)	13.78" (350.1mm)
Round Trimless Grille (Dia)	13.45" (341.6mm)
Square Micro Trim Grill (WxH)	13.8" x 13.8" (350.6mm x 350.6mm)
Square Trimless Grille (WxH)	13.45" x 13.45" (341.6mm x 341.6mm)
Speaker (Dia x D)	13.31" x 6.86" (232.8mm x 174.3mm)
Mounting Depth (D)	6.75" (171.4mm)
Cut-Out Dims (WxH)	12.4" (315mm)
Shipping Weight	25.9 lbs. (11.75kg) Each

## LIMITED FIVE (5) YEAR WARRANTY

Sonance warrants to the first end-user purchaser that this Sonance-brand product (“Product”), when purchased from an authorized Sonance Dealer/Distributor, will be free from defective workmanship and materials for the period stated below. Sonance will at its option and expense either repair the defect or replace the Product with a new or remanufactured Product or a reasonable equivalent.

**EXCLUSIONS: TO THE EXTENT PERMITTED BY LAW, THE WARRANTY SET FORTH ABOVE IS IN LIEU OF, AND EXCLUSIVE OF, ALL OTHER WARRANTIES, EXPRESS OR IMPLIED, AND IS THE SOLE AND EXCLUSIVE WARRANTY PROVIDED BY SONANCE. ALL OTHER EXPRESS AND IMPLIED WARRANTIES, INCLUDING THE IMPLIED WARRANTIES OF MERCHANTABILITY, IMPLIED WARRANTY OF FITNESS FOR USE, AND IMPLIED WARRANTY OF FITNESS FOR A PARTICULAR PURPOSE ARE SPECIFICALLY EXCLUDED. No one is authorized to make or modify any warranties on behalf of Sonance.**

The warranty stated above is the sole and exclusive remedy and Sonance’s performance shall constitute full and final satisfaction of all obligations, liabilities and claims with respect to the Product.

**IN ANY EVENT, SONANCE SHALL NOT BE LIABLE FOR CONSEQUENTIAL, INCIDENTAL, ECONOMIC, PROPERTY, BODILY INJURY, OR PERSONAL INJURY DAMAGES ARISING FROM THE PRODUCT, ANY BREACH OF THIS WARRANTY OR OTHERWISE.**

This warranty statement gives you specific legal rights, and you may have other rights which vary from state to state. Some states do not allow the exclusion of implied warranties or limitations of remedies, so the above exclusions and limitations may not apply. If your state does not allow disclaimer of implied warranties, the duration of such implied warranties is limited to period of Sonance’s express warranty.

Your Product Model and Description: Sonance Visual Experience Series Extreme (VXXT) outdoor in-wall and in-ceiling speakers and subwoofers (VXXT6 | VXXT6R | VXXT6R SST | VXXT8R | VXXT8RW | VXXT10RW)

Warranty Period for this Product: FIVE (5) years from the date on the original sales receipt or invoice or other satisfactory proof of purchase.

Additional Limitations and Exclusions from Warranty Coverage: The warranty described above is non-transferable, applies only to the initial installation of the Product, does not include installation of any repaired or replaced Product, does not include damage to allied or associated equipment which may result for any reason from use with this Product, and does not include labor or parts caused by accident, disaster, negligence, improper installation, misuse (e.g. overdriving the amplifier or speaker, excessive heat or cold or humidity, outdoor installation), or from service or repair which has not been authorized by Sonance.

Obtaining Authorized Service: To qualify for the warranty, you must contact your authorized Sonance Dealer/Installer or call Sonance Customer Service at (949) 492-7777, must obtain a return merchandise number (RMA), and must deliver the Product to Sonance shipping prepaid during the warranty period, together with the original sales receipt, or invoice or other satisfactory proof of purchase.

In order to initiate a warranty claim:

1. Contact Sonance Technical Support with a description of the fault, the amplifier’s serial number and the date of purchase from an authorized Sonance dealer at: [technicalsupport@sonance.com](mailto:technicalsupport@sonance.com)
2. Sonance Technical Support will follow-up and may request additional troubleshooting.
3. Once a determination has been made on the fault, Sonance Customer Service will follow-up by email. Please have a scanned copy of your Sonance Visual Experience Extreme Speaker sales invoice ready to send upon request to document the speaker’s warranty status.
4. Sonance Customer Service will provide an RMA number to be included on the shipping label of the packaging. Do not write RMA # on the physical carton. Please send the speaker back in its original factory carton, which has been specifically designed to protect the speaker during transit.

Contact us at: <https://www.sonance.com/company/contact>

