

TO BE REMOVED BY THE CUSTOMER AFTER INSTALLATION IS COMPLETE

✓ INSTALLATION CHECKOFF LIST

Doors

- Handles are secure and tight
- Door seals completely to cabinet on all sides
- Freezer door is level across the top

Leveling

- Refrigerator is level, side to side and tilted 1/4" (6mm) front to back
- Toe grille is properly attached to refrigerator
- Cabinet is setting solid on all corners

Electrical Power

- House power turned on
- Refrigerator plugged in

Ice Maker

- House water supply connected to refrigerator
- No water leaks present at all connections - recheck in 24 hours
- Ice Maker is turned ON.
- Ice & Water Dispenser operates correctly
- Front filter must be flush with filter housing (some models)

Final Checks

- Shipping material removed
- Fresh Food and Freezer controls set
- Crisper Humidity controls set
- Registration Card sent in

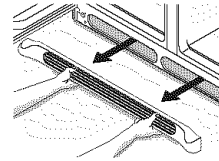
Refer to your *Owner's Use and Care Manual* for additional information about your refrigerator.

5 LEVELING AND ADJUSTING

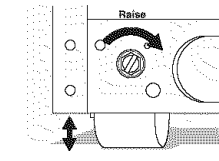
All four corners of refrigerator must rest firmly on a solid floor. Your refrigerator has adjustable rollers to help level it and to adjust the doors.

To level cabinet or change door height:

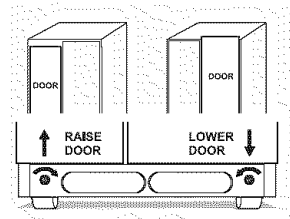
1. Remove toe grille.
2. Use a screwdriver, 3/8" wrench, or nutdriver to adjust the rollers. To raise cabinet or door, turn screw clockwise. To lower cabinet or door, turn screw counterclockwise.



Toe Grille

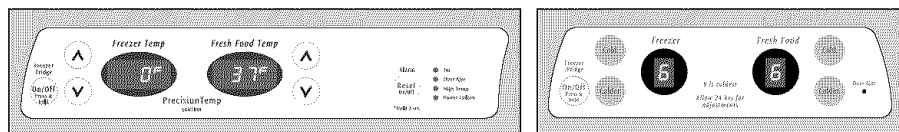
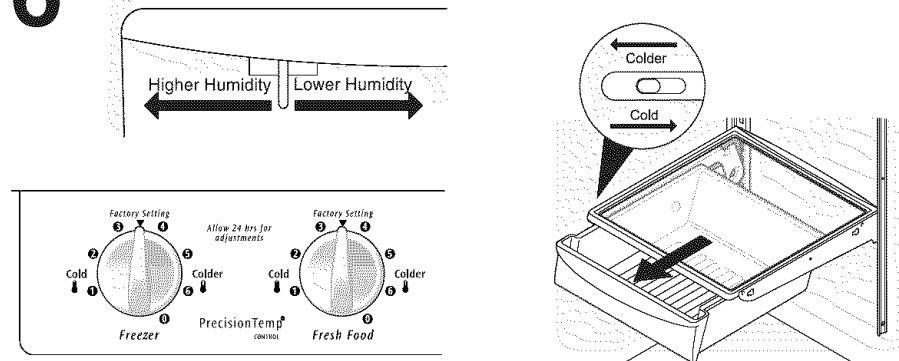


Adjustable Front Roller (some models)



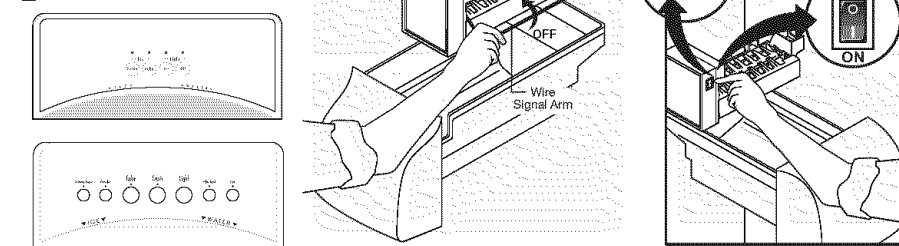
6

CONTROLS



When changing control settings, wait 24 hours before making additional adjustments.

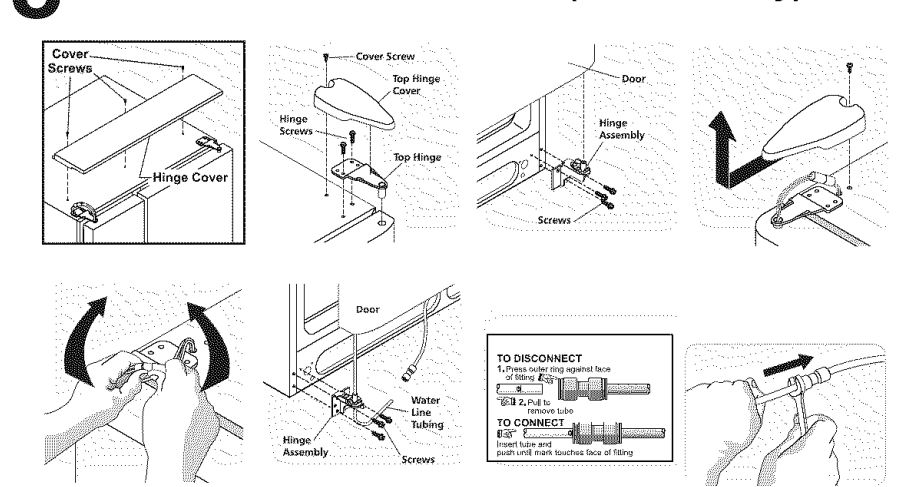
7 ICEMAKER



Ensure icemaker to turned ON. Check to see that the Ice & Water Dispenser is operating correctly. (See Automatic Ice & Water Dispenser Features in *Use & Care Manual*.)

8

TO REMOVE DOORS (if necessary)

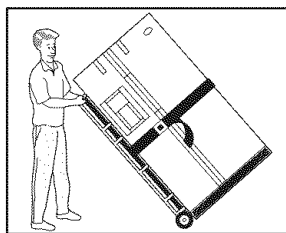


If you need to remove the doors to get your refrigerator in the house, please See *Door Removal Instructions* in your *Use & Care Manual*.

9

- ✓ See "Normal Operating Sights & Sounds" in the *Use & Care Manual* so you understand the sounds you may hear once your refrigerator is running.
- ✓ Please read entire *Use & Care Manual* to become aware of important safety instructions and to become familiar with your new refrigerator.
- ✓ Send in Registration card to register your refrigerator.
- ✓ Congratulations! You are ready to enjoy your new refrigerator.

1

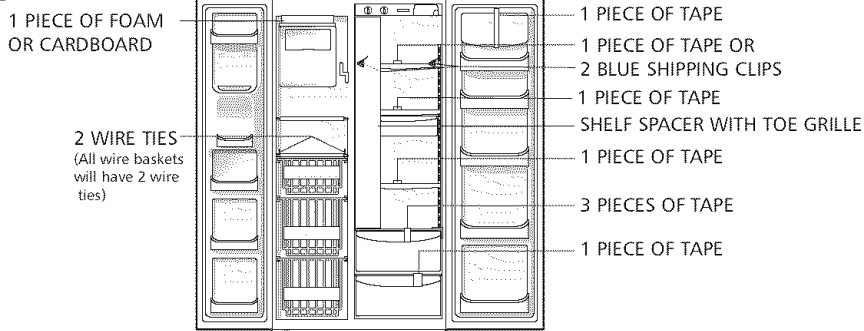


HAND TRUCKING

- Load refrigerator from side of cabinet only.
- Do not run retaining straps over handles.
- Do not over-tighten retaining straps.
- Never use refrigerator handles to move the refrigerator.
- Remove tape from doors only after unit is in place.

2

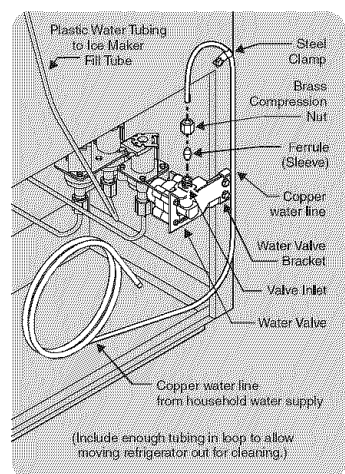
SHIPPING MATERIAL



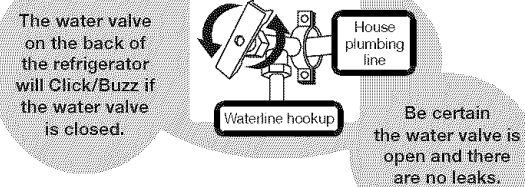
Remove Shipping material. (Features may vary per model.)

3

WATER SUPPLY



Connect water supply - check for water leaks. Turn icemaker OFF if water supply is not connected immediately. Connecting to a reverse osmosis system is not recommended.



4

INSTALLATION CLEARANCES

Allow the following clearances for ease of installation, proper air circulation, and plumbing and electrical connections:

- Sides & Top.....3/8"
- Back.....1"

NOTE

If you are installing your refrigerator beside a wall, leave 1/2" minimum between hinges and wall to allow for the door to swing open.

IF YOU ARE DISSATISFIED WITH THE INSTALLATION, PLEASE CALL THE STORE YOU PURCHASED IT FROM.

P/N: 241811501

