

Use & Care / Installation Manual
Manual de Uso y Cuidado / Instalación
English / Español

Models/Modelos 51403*, 51413*

Kenmore Elite®

Range Hood

Campana de cocina

* = width, anchura

P/N 99045662-002A

Sears Brands Management Corporation,
Hoffman Estates, IL 60179 USA

www.kenmore.com
www.sears.com



READ AND SAVE THESE INSTRUCTIONS

TABLE OF CONTENTS

SECTION	PAGE
Warranty	2
Safety Instructions	3
Operation	4
Cleaning	5
Parts Included With Hood	6
Parts Not Included With Hood	6
Tools Needed	6
Equivalent Duct Length Chart	7
Install Ductwork	8
Prepare The Hood	8-10
Prepare The Hood Location	11-15
EZ1 One-Person Installation	11-12
Install The Hood (EZ1 Brackets)	13
Standard Installation (without EZ1 Brackets)	14
Install The Hood (Standard Installation)	15
Connect The Wiring	16
Install The Filters	16
Service Parts	17
Master Protection Agreements	18

KENMORE LIMITED WARRANTY

When this appliance is installed, operated and maintained according to all supplied instructions, the following warranty coverage applies. To arrange for warranty service, call 1-800-4-MY-HOME® (1-800-469-4663).

- For one year from the date of purchase, any part of this product that fails due to a defect in material or workmanship will receive free repair or replacement if repair proves impossible. The length of this coverage does not apply to the finish of any painted or bright metal part.
- For thirty days date of purchase, any painted or bright metal part of this product will be replaced free of charge if its finish is defective in material or workmanship.

All warranty coverage is void if this product is ever used for other than private household purposes.

This warranty covers only defects in material and workmanship, and will NOT pay for:

1. Consumable parts that can wear out from normal use, including but not limited to filters, belts, light bulbs, and bags.
2. A service technician to instruct the user in correct product installation, operation or maintenance.
3. A service technician to clean or maintain this product.
4. Damage to or failure of this product if it is not installed, operated or maintained according to the all instructions supplied with the product.
5. Damage to or failure of this product resulting from accident, abuse, misuse or use for other than its intended purpose.
6. Damage to or failure of this product caused by the use of detergents, cleaners, chemicals or utensils other than those recommended in all instructions supplied with the product.
7. Damage to or failure of parts or systems resulting from unauthorized modifications made to this product.

Disclaimer of implied warranties; limitation of remedies

Customer's sole and exclusive remedy under this limited warranty shall be product repair as provided herein. Implied warranties, including warranties of merchantability or fitness for a particular purpose, are limited to one year or the shortest period allowed by law. Sears shall not be liable for incidental or consequential damages. Some states and provinces do not allow the exclusion or limitation of incidental or consequential damages, or limitation on the duration of implied warranties of merchantability or fitness, so these exclusions or limitations may not apply to you.

This warranty gives you specific legal rights, and you may also have other rights which vary from state to state.

**Sears Brands Management Corporation,
Hoffman Estates, IL 60179**

SAFETY INSTRUCTIONS

⚠ INTENDED FOR DOMESTIC COOKING ONLY. ⚠

WARNING ⚡ ⚠

TO REDUCE THE RISK OF FIRE, ELECTRIC SHOCK, OR INJURY TO PERSONS, OBSERVE THE FOLLOWING:

1. Use this unit only in the manner intended by the manufacturer. If you have questions, contact the manufacturer at the address listed in the warranty.
2. Before servicing or cleaning unit, switch power off at service panel and lock the service disconnecting means to prevent power from being switched on accidentally. When the service disconnecting means cannot be locked, securely fasten a prominent warning device, such as a tag, to the service panel.
3. Installation work and electrical wiring must be done by a qualified person(s) in accordance with all applicable codes and standards, including fire-rated codes and standards.
4. Sufficient air is needed for proper combustion and exhausting of gases through the flue (chimney) of fuel burning equipment to prevent backdrafting. Follow the heating equipment manufacturer's guideline and safety standards such as those published by the National Fire Protection Association (NFPA), and the American Society for Heating, Refrigeration and Air Conditioning Engineers (ASHRAE), and the local code authorities.
5. When cutting or drilling into wall or ceiling, do not damage electrical wiring and other hidden utilities.
6. To reduce the risk of fire or electric shock, do not use this range hood with an additional speed control device.
7. Ducted fans must always be vented to the outdoors.
8. To reduce the risk of fire, use only metal ductwork.
9. This unit must be grounded.

TO REDUCE THE RISK OF A RANGE TOP GREASE FIRE:

1. Never leave surface units unattended at high settings. Boilovers cause smoking and greasy spillovers that may ignite. Heat oils slowly on low or medium settings.
2. Always turn hood ON when cooking at high heat or when cooking flaming foods.
3. Clean ventilating fans frequently. Grease should not be allowed to accumulate on fan or filter.
4. Use proper pan size. Always use cookware appropriate for the size of the surface element.

WARNING ⚡ ⚠

TO REDUCE THE RISK OF INJURY TO PERSONS IN THE EVENT OF A RANGE TOP GREASE FIRE, OBSERVE THE FOLLOWING:*

1. **SMOTHER FLAMES** with a close-fitting lid, cookie sheet, or metal tray, then turn off the burner. **BE CAREFUL TO PREVENT BURNS.** If the flames do not go out immediately, **EVACUATE AND CALL THE FIRE DEPARTMENT.**
 2. **NEVER PICK UP A FLAMING PAN** - You may be burned.
 3. **DO NOT USE WATER**, including wet dishcloths or towels - a violent steam explosion will result.
 4. Use an extinguisher **ONLY** if:
 - A. You know you have a Class ABC extinguisher and you already know how to operate it.
 - B. The fire is small and contained in the area where it started.
 - C. The fire department is being called.
 - D. You can fight the fire with your back to an exit.
- * Based on "Kitchen Fire safety Tips" published by NFPA.

CAUTION ⚠

1. For general ventilating use only. Do not use to exhaust hazardous or explosive materials and vapors.
2. To avoid motor bearing damage and noisy and/or unbalanced impellers, keep drywall spray, construction dust, etc. off power unit.
3. For best capture of cooking impurities, your range hood should be mounted so that the top of the hood is 18-30" above the cooking surface.
4. Use only with range hood cord-connection kits that have been investigated and found acceptable for use with this model range hood.
5. Please read specification label on product for further information and requirements.

NOTE

If hood is to be installed Non-Ducted:
Purchase non-ducted filters and attach them to the aluminum mesh filters.

"Non-ducted Filters" available by calling Sears at 1-800-4-MY-HOME®

Warranty

Safety

Operation

Cleaning

Installation

Service Parts

OPERATION



NOTE: At range hood start-up or after a power failure, a small icon (1) appears shortly (for ± 2 seconds) on LCD screen; this is normal.

BLOWER ACTIVATION/SPEED LEVEL CHANGE/ FILTER INDICATOR RESET

When blowers are OFF, press on this push button to turn ON the blowers at the last saved speed. If there was no speed saved, the blowers will be set on LOW speed.

NOTE: When LOW speed is activated from OFF, the blowers start on MEDIUM speed for a very short lapse of time, and then resume to LOW speed.

To change the blower speed, press on this push button again until the desired speed is reached (from LOW to MEDIUM to HIGH speed to OFF). Each time a blower speed is activated, a rotating blower icon appears on left side of LCD screen, with dot(s) under it (the rotation speed shows the chosen speed: slow for LOW with one dot, faster for MEDIUM with 2 dots and fastest for HIGH with 3 dots).

When blowers are on (no matter the speed level), press and hold this push button until the blower icon disappears from the LCD screen; this will turn off the blowers and save the blower speed chosen.

Heat Sentry™

This hood is equipped with a protective device that activates the blowers when an abnormally high heat level is detected while the blowers are activated. During the Heat Sentry activation, this device takes control of the blowers and set them on MEDIUM speed while all dots under the blower icon blink. However, the lights can be still controlled. The blowers will remain on MEDIUM speed until the heat is back to normal, they then return to the speed previously selected.

NOTE: When excessive heat is detected, Heat Sentry will shut off both blowers and lights while all dots under the blower icon will blink faster. Both blowers and lights will remain off until the ambient temperature cools down; the blowers will then start on MEDIUM speed (the lights can be controlled again). The blowers will remain on MEDIUM speed until the heat is back to normal, they then return to the speed previously selected.

OPERATION

DELAY OFF

When the blowers are on, press this button to activate the delay function. This icon appears on LCD screen beside the blower icon to indicate the function is on. The blowers will continue to operate for 10 minutes and then, will shut off automatically (both blower and delay icons will disappear from LCD screen). When Delay off is activated, it is possible to change the blower speed by pressing on blower push button without affecting the remaining time of the delay.

To cancel the delay off function before the end of the 10-minute cycle, press again on delay off push button.

ON LIGHTING/LIGHT INTENSITY CHANGE

Press this push button to turn on the lights at the last saved intensity; the light icon appears on right side of LCD screen and the number of dots below it shows which light intensity is on (one dot for LOW, two dots for MEDIUM and three dots for HIGH).

To change the light intensity, press the push button until the desired level is reached (from HIGH intensity, pressing again will shut off the lights).

When lights are on (no matter the light intensity), press and hold this push button until the light icon disappears from the LCD screen; this will shut off the lights and save the chosen light intensity.

The LED modules included with this hood are the latest in LED cooktop illumination technology specially designed to operate in the elevated temperatures of cooking - offering bright lighting and lasting up to 25 times as long as a standard bulb and greater reliability than typical replacement LED bulbs.

MASTER ON/OFF

Press this push button to turn on the lights and the blowers at the last saved intensity. When either lights or blowers are ON, pressing on this push button will memorize the current blower speed and lighting level prior to shut them OFF.

FILTER CLEANING REMINDER

This icon appears on LCD screen 30 seconds after turning OFF the blowers when it is time to clean hood and filters (refer to Cleaning and Maintenance on page 5). This happens every time the blowers are turned OFF until the filter cleaning reminder has been reset. Once the cleaning is done, reset the filter cleaning reminder by pressing on blower activation push button for 3 seconds while the icon appears on LCD screen for 30 seconds.

CLEANING



WARNING: To reduce the risk of electric shock, disconnect from power supply before cleaning.

Hybrid filters

Clean frequently using hot water and a mild detergent or in your dishwasher. The hybrid filters should be washed approximately every month depending on the amount of usage. Wash more often if your cooking style generates greater grease - like frying foods or wok cooking.

Non-ducted recirculation filters

(available separately - see page 6)

The non-ducted recirculation filters should be changed every 3 to 6 months. Replace more often if your cooking style generates extra grease, such as frying and wok cooking. Refer to installation instructions included with non-ducted recirculation filters.

Stainless steel hood surfaces

Do:

- Regularly wash with clean cloth or rag soaked with warm water and mild soap or liquid dish detergent.
- Always clean in the direction of original polish lines.
- Always rinse well with clear water (2 or 3 times) after cleaning. Wipe dry completely.
- You may also use a specialized household stainless steel cleaner.

Don't:

- Use any steel or stainless steel wool or any other scrapers to remove stubborn dirt.
- Use any harsh or abrasive cleansers.
- Allow dirt to accumulate.
- Let plaster dust or any other construction residues reach the hood. During construction/renovation, cover the range hood to make sure no dust sticks to the stainless steel surface.

Avoid when choosing a detergent:

- Any cleaners that contain bleach will attack stainless steel.
- Any products containing: **chloride, fluoride, iodide, bromide** will deteriorate surfaces rapidly.
- Any combustible products used for cleaning such as **acetone, alcohol, ether, benzol, etc.**, are highly explosive and should never be used close to a range.

Blower assembly

The center of the fan wheels should be cleaned frequently. Use a clean cloth soaked with warm detergent solution.

The motors are permanently lubricated and never need oiling. If the motor bearings make excessive or unusual noise, replace the motor with the exact service motor. The fan wheel should also be replaced.

Warranty

Safety

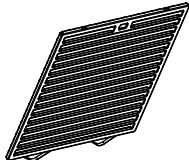
Operation

Cleaning

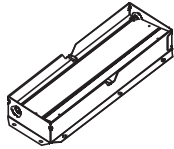
Installation

Service Parts

PARTS INCLUDED WITH HOOD



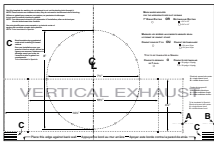
Hybrid Grease Filters
(2 per hood)



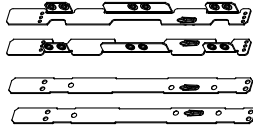
3 1/4" x 10"
Damper / Duct Connector



7" Round Duct Connector



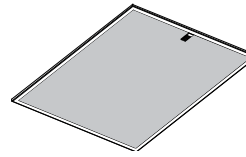
EZ-1 One person Installation Kit
(including template for ducting, printed both sides, and installation brackets)



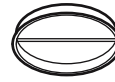
Parts Bag
(4 no. 8-18 x 1/2" metal screws, 4 washers, 6 no. 8 x 5/8" round head wood screws, 6 no. 8 x 1/2" countersunk wood screws)

PARTS NOT INCLUDED WITH HOOD

OPTIONAL PARTS (purchase separately)



Non-Ducted Recirculation Filters
(Non-ducted hoods only)
(2 per hood)
Part Nos.:
S97020466 (30-in. width hoods)
S97020467 (36-in. width hoods)



7-inch Round Damper
(For use with 7-inch Round Duct)
Sears Part No. 59183

Ducting Accessories

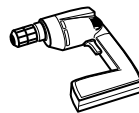
(See "Equivalent Duct Length Chart" on page 6 for Ducting Accessory Model Nos.)

"Parts Not Included With Hood" available by calling Sears at 1-800-4-MY-HOME®

TOOLS NEEDED FOR HOOD INSTALLATION



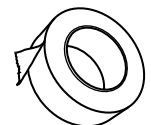
Screwdriver
(Flat & Phillips no. 2)



Drill
(with 1/8" and 7/64" drill bits, and 1 1/2" hole saw)



Long Nose Pliers



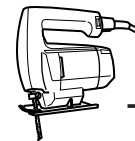
Metal Foil Duct Tape



Nutdriver
11/32"



Tape Measure



Sabre Saw



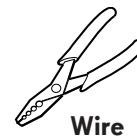
**-or-
Keyhole Saw**



Pencil



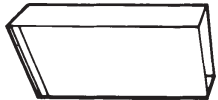

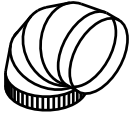

Sheet Metal Shears



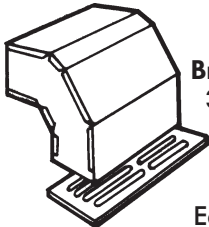
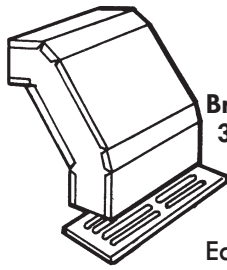


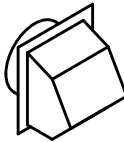
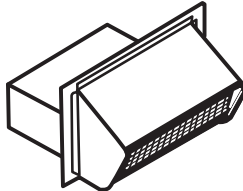
Wire Stripper

EQUIVALENT DUCT LENGTH CHART

Kenmore range hoods are designed to perform efficiently when attached to long runs of duct. As a point of reference, this hood will function at approximately 80% of its rated air flow when 30 equivalent feet of 7" round ductwork is attached. Use this chart to calculate the equivalent duct length of your system.

	<p>Broan Model 401 Straight Duct 3 1/4-in. x 10-in. x 2-ft. long Equivalent length 2 ft.</p>
	<p>Broan Model 407 Straight Duct 7-in. round x 2-ft. long Equivalent length 2 ft.</p>
	<p>Broan Model 415 7-in. Round Elbow Equivalent length 8 ft.</p>
	<p>Broan Model 412H 3 1/4-in. x 10-in. to 7-in. Round Transition Equivalent length 5.5 ft.</p>

	<p>Broan Model 428 3 1/4-in. x 10-in. Right-angle Elbow Equivalent length 8.5 ft.</p>
	<p>Broan Model 429 3 1/4-in. x 10-in. Right-angle Flat Elbow Equivalent length 24 ft.</p>
	<p>Broan Model 430 3 1/4-in. x 10-in. Right-angle Short Eave Elbow Equivalent length 15 ft.</p>
	<p>Broan Model 431 3 1/4-in. x 10-in. Right-angle Long Eave Elbow Equivalent length 15 ft.</p>

	<p>Broan Model 647 7-in. Round Wall Cap Equivalent length 34 ft. (6-ft. w/o damper)</p>
	<p>Sears Model 59391 3 1/4-in. x 10-in. Wall Cap Equivalent length 45 ft. (7-ft. w/o damper)</p>
	<p>Sears Model 59091 Roof Cap (accepts 7-in. round or 3 1/4-in. x 10-in. duct) Equivalent length 30 ft. (7-ft. w/o damper)</p>

Sears Model "Ducting Accessories" available by calling:
Sears at 1-800-4-MY-HOME®
Broan Model "Ducting Accessories" available by calling:
1-800-558-1711.

Warranty

Safety

Operation

Cleaning

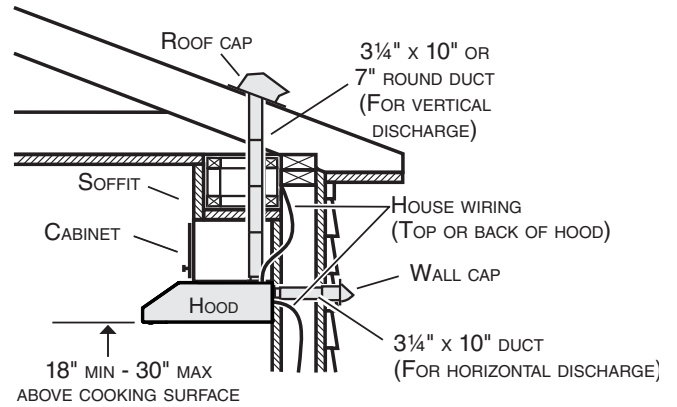
Installation

Service Parts



INSTALL DUCTWORK (DUCTED INSTALLATION ONLY)

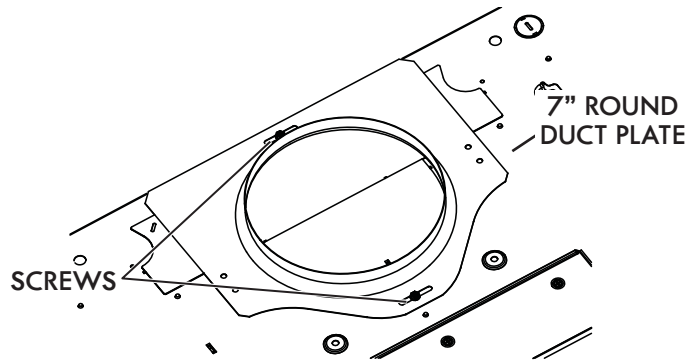
1. Determine whether hood will discharge vertically (3¼" x 10" or 7" Round) or horizontally (3¼" x 10" only).
2. Run ductwork between the hood location and a roof cap or wall cap.
3. Choose a straight, short duct run to allow the hood to perform most efficiently. Long duct runs, elbows and transitions will reduce the performance of the hood. Use as few of them as possible. When possible, use at least 2 foot straight runs before any turns. Larger ductwork may be required for best performance with longer duct runs.
4. Install wall cap or roof cap (sold separately). Connect metal ductwork to cap and work back towards the hood location. Use 2" metal foil duct tape to seal the joints between ductwork sections.



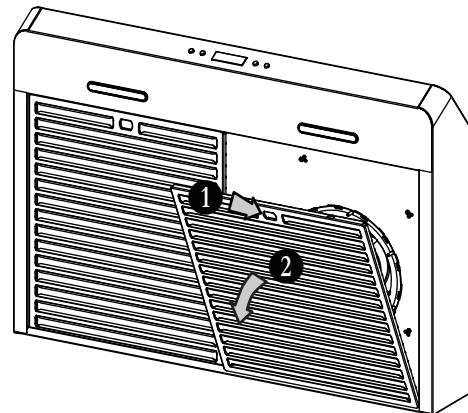
NOTE: Distances over 30" are at the installer and user discretion.

PREPARE THE HOOD

1. If present, remove all protective polyfilm from the hood and/or parts. Remove **7" Round Duct Plate** from top/back of hood (see illustration at right). Keep the screws for further use.

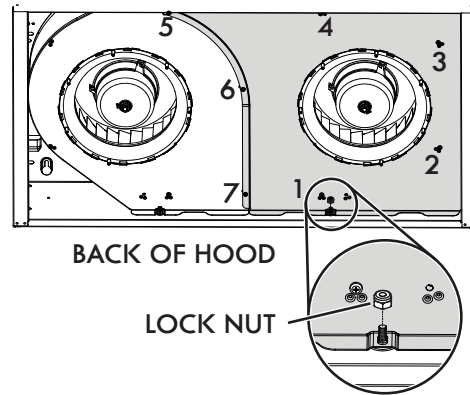


2. Using the finger cup, remove the **Hybrid Filters** from the hood by pushing down and tilting filters out.

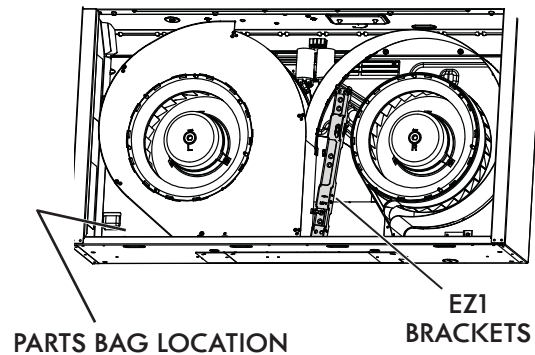


- Using a 11/32" nut driver, remove the lock nut retaining the flange of the right blower cover plate (shaded part on illustration beside) to the inner back of hood (see inset). Remove the right cover plate retaining screws (7 screws), then set the blower cover along with its screws and nut aside.

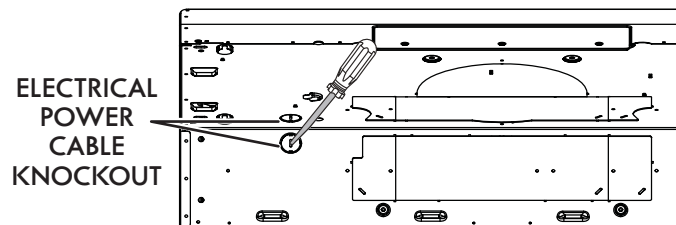
NOTE: Slightly lift up the cover plate before sliding it towards the left to remove it.



- Remove the **parts bag**, taped on the inner back of hood, near the left corner. Remove the **EZ1 brackets** from inside the hood by cutting off the tie wrap. Discard the tie wrap.

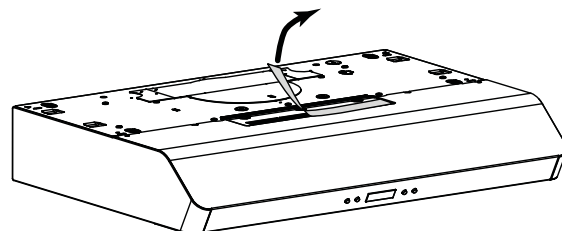
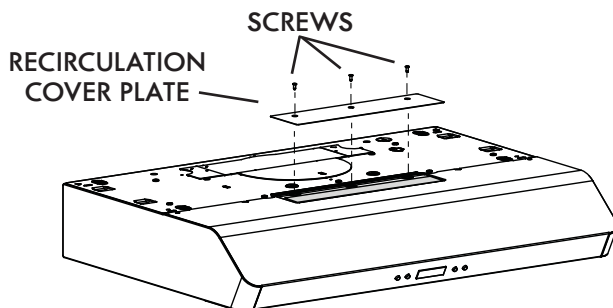


- Remove Electrical Power Cable Knockout from top (vertical exhaust) or back (horizontal exhaust) of hood. For knockout removed from back of hood, install an appropriate strain relief, 1/2" diameter (not included). For knockout removed from top of hood, the strain relief will be installed later.



NON-DUCTED INSTALLATIONS ONLY

- Remove 3 screws retaining the recirculation cover plate to the hood. Discard this plate with its screws. Peel off and discard the membrane (shaded part in illustration below) covering the recirculation grille, ensuring the openings are totally cleared.



Warranty

Safety

Operation

Cleaning

Installation

Service Parts

DUCTED INSTALLATIONS ONLY

7. Remove 3 1/4" x 10" vertical, 3 1/4" x 10" horizontal (both are the rectangular central knockout plates, see hatched areas), or 7-inch round knockout plate as appropriate for your ducting method (see FIGURES 1 A and 1 B).

FIGURE 1 A

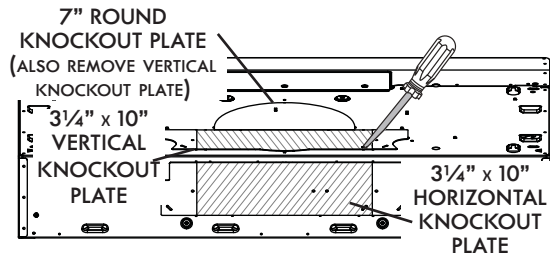
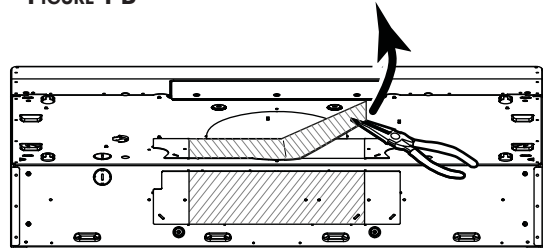


FIGURE 1 B



8. Attach 3 1/4" x 10" Damper Assembly on top OR back of hood (if using 3 1/4" x 10" duct; shaded part in FIGURE 2 A) or 7" Round Duct Plate (if using 7-inch round duct, FIGURE 3) over the knockout opening. When installed, the 3 1/4" x 10" damper assembly must open as shown in FIGURE 2 B.

FIGURE 2 A

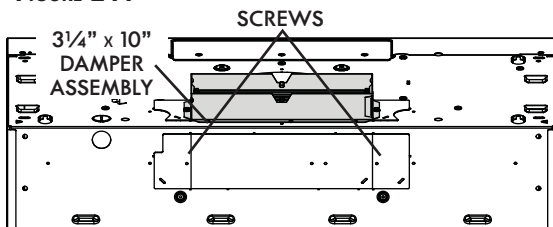


FIGURE 2 B

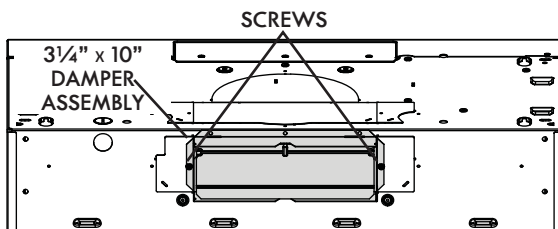
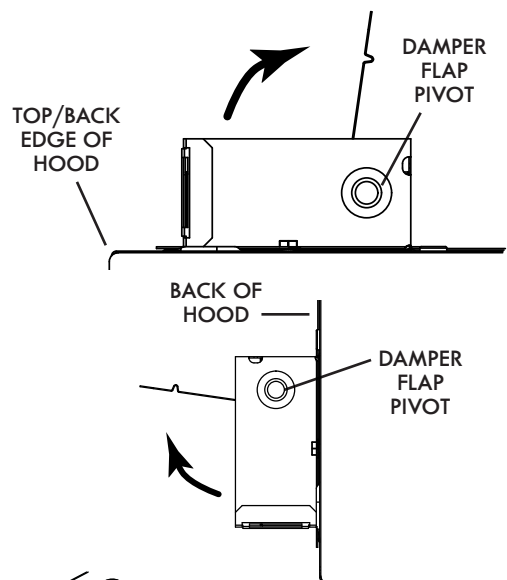
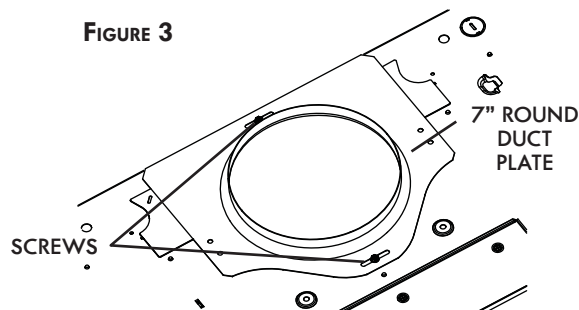


FIGURE 3



NOTE: To accommodate off-center ductwork, the 7" round duct plate can be installed up to 1/2" on either side of the hood center.

TIP: Insert a small length of duct over the 3 1/4" x 10" damper assembly (for rectangular ducting) or 7" round (for round ducting) and seal the joint using aluminum foil duct tape to ease connection with the house ductwork.

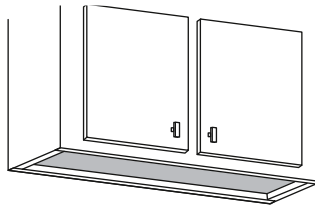
PREPARE THE HOOD LOCATION

NOTE: Before starting installation, read all the steps of these instructions.

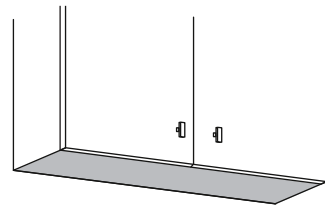
Use the illustration beside to identify your kitchen cabinet type.

This manual covers 2 kinds of installation: the standard (without EZ1 brackets) and the EZ1 one-person installation system (using included template and brackets). For the standard installation, go to page 14.

FRAMED CABINET



FRAMELESS CABINET



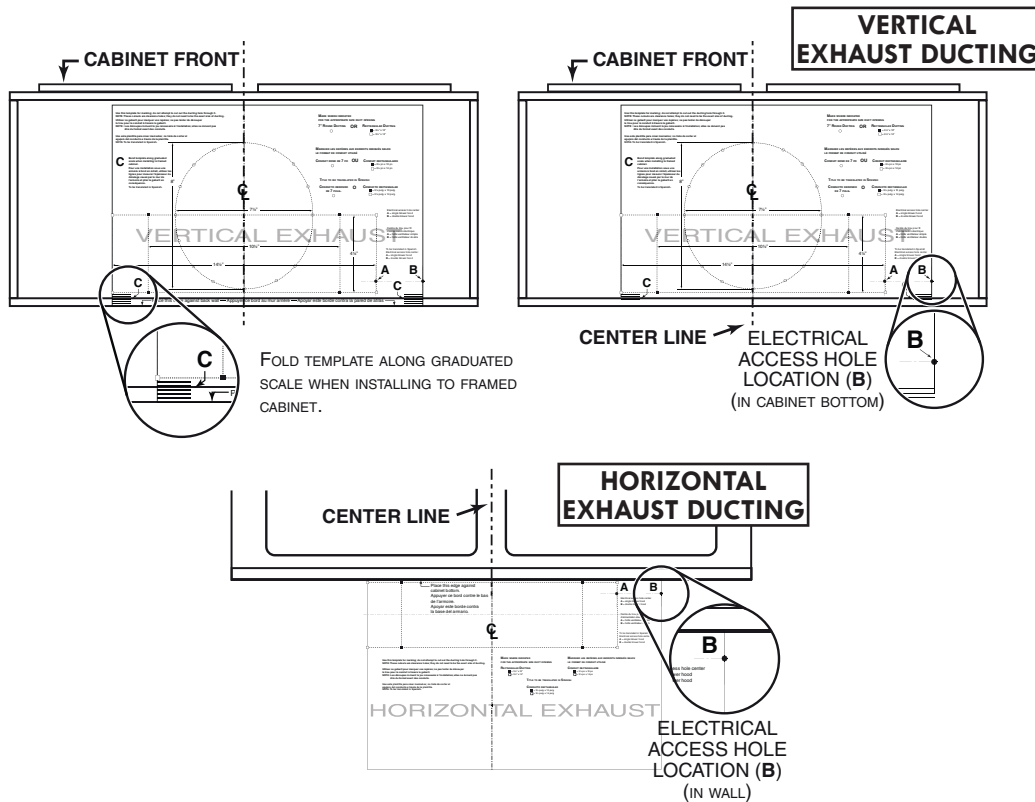
EZ1 One-person installation system

EZ1 installation is designed for use with kitchen cabinets that have the same width designation as the range hood width. If the cabinet is greater than 1/2" wider than the range hood width, please use the standard installation method.

1. Use the proper template for vertical OR horizontal discharge (included) for placement of ductwork and electrical cutout in cabinet or wall. For a non-ducted installation, DO NOT cut a duct access hole, only cut the hole for electrical wiring. If replacing a hood and plan to use the existing duct and electrical, steps 2 to 5 may not be necessary. If so, skip to step 6.
2. Measure and mark the hood center line on cabinet bottom.

3. Align the center line on template with the hood center line marked on the bottom of the cabinet, placing the edge (where indicated) of the template against back wall. When using with framed cabinet for vertical exhaust installation, fold over rear edge of template equal to the depth of the cabinet frame at the wall (use graduations on template, C locations on template). Tape the template in place.

NOTE: When facing the installation, A and B (on template) must be at right.



4. Drill a 1/8" dia. pilot hole for house wiring, at B location on template.
5. Use a sharp pencil or 1/8" drill bit to mark the locations for the appropriate duct access holes (16 locations for 7" round duct, or 4 corner locations for rectangular duct). Remove the template.

6. Draw the border for the exhaust ducting by linking its marks (16 for round duct and 4 for rectangular duct), then cut the opening in the cabinet bottom (vertical exhaust) or in the wall (horizontal exhaust). Drill the house wiring hole by using a 1 1/2" hole saw centered with the pilot hole previously made in 4.

Warranty

Safety

Operation

Cleaning

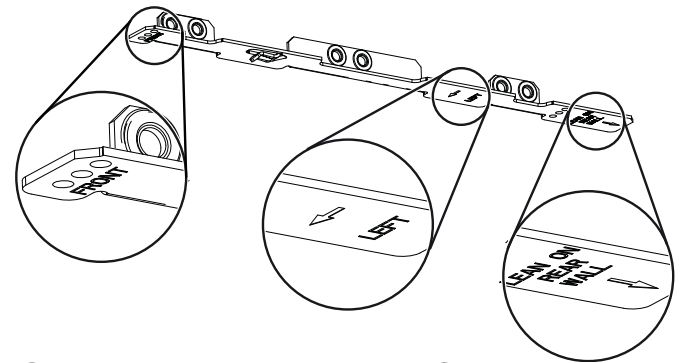
Installation

Service Parts

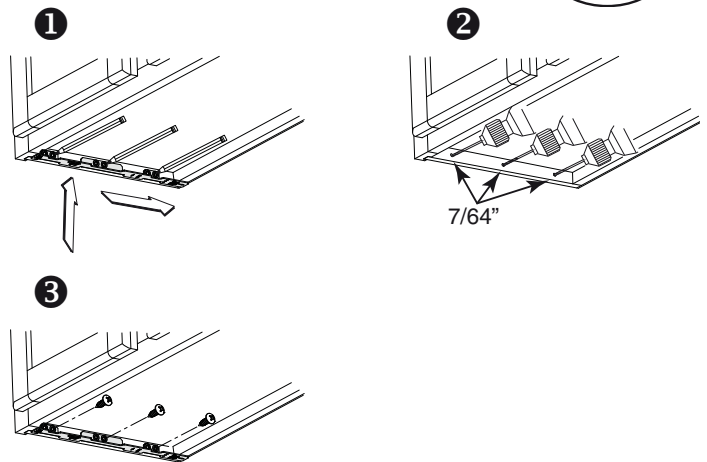
7. Install the proper installation brackets according to the type of cabinet (framed or frameless). See below.

FRAMED CABINET

Refer to the marking on the brackets to determine the correct installation side and orientation.

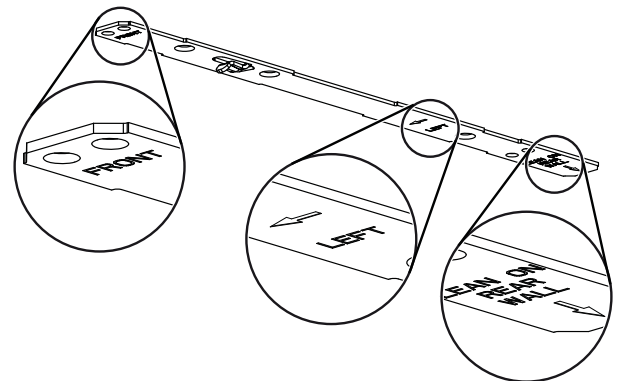


- 1 Mate the corresponding bracket to the cabinet side frame, while placing rear end of bracket against the wall. Use a pencil to mark 3 holes (there are 6 holes but only 3 are necessary).
- 2 Remove the bracket. Using a 7/64" drill bit, drill 3 holes where marked.
- 3 Assemble the bracket to the side frame using a Phillips screwdriver and 3 provided no. 8 x 5/8" wood screws. Repeat for the other side frame.

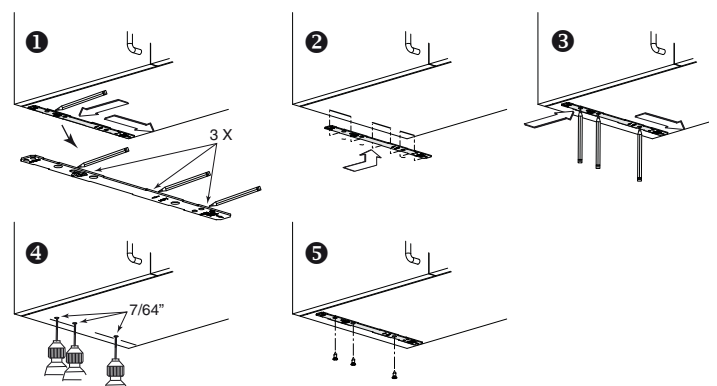


FRAMELESS CABINET

Refer to the marking on the brackets to determine the correct installation side and orientation.



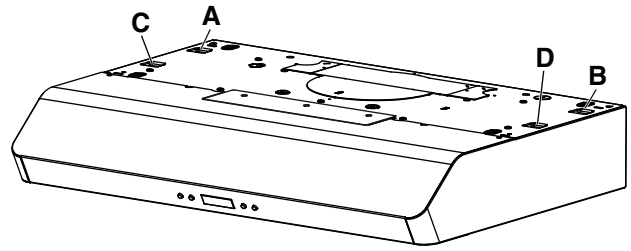
- 1 Align the corresponding bracket to the cabinet side, while placing rear end of bracket against the wall. Draw a line on the outer edge of the bracket (as shown).
- 2 Slide the bracket towards the center of cabinet and align the outside edge of the bracket with the marked line, keeping the rear end edge leaning on the wall.
- 3 Use a pencil to mark 3 holes.
- 4 Remove the bracket. Using a 7/64" drill bit, drill 3 holes where marked.
- 5 Assemble the bracket to the cabinet bottom using a Phillips screwdriver and 3 provided countersunk wood screws. Repeat for the other cabinet side.



Install the hood (EZ1 brackets)

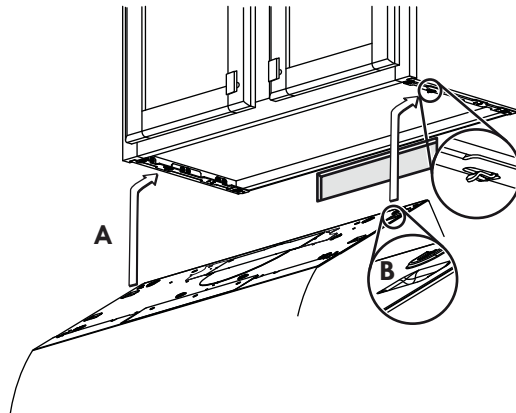
NOTE: The following procedure applies to both framed or frameless cabinet installations.

1. Run house power cable between service panel and hood location.
2. There are 2 pairs of recessed holes on each side of the top of the hood (on rear: **A** and **B**, on front **C** and **D** on illustration beside); these holes allow the range hood to hang on the brackets (previously installed).



HORIZONTAL EXHAUST INSTALLATION ONLY

3. Temporarily hang the hood on the brackets using its 2 recessed **REAR HOLES (A and B)**. While holding the hood, run the house power cable into the hood through the strain relief previously installed in step 5 on page 9.
4. Unhook the rear holes from the brackets and hang the hood using its 2 recessed **FRONT HOLES (C and D)**. While holding the hood, go to step 6.



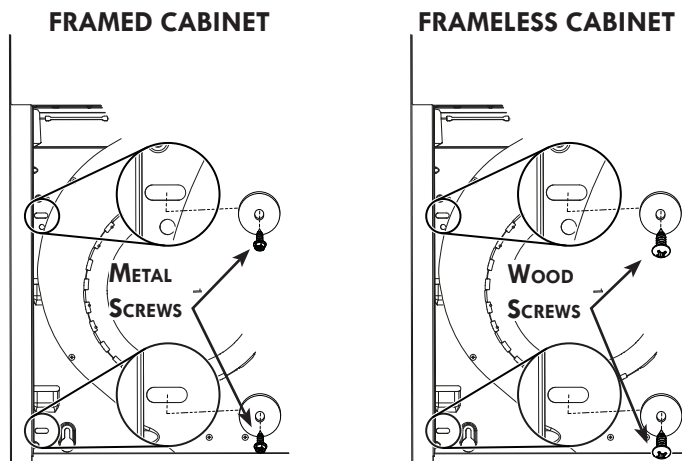
VERTICAL EXHAUST INSTALLATION ONLY

5. Hang the hood on the brackets using the 2 recessed **FRONT HOLES (C and D)**. While holding the hood, tighten an appropriate strain relief, 1/2" diameter (not included) to the power cable, then insert the strain relief in the knockout hole.

DUCTED INSTALLATIONS ONLY

6. Connect the ductwork to the hood and use metal foil duct tape to make joints secure and air-tight. Make sure the damper assembly (or round duct plate) enters the ductwork and that the damper opens and closes freely.

7. For framed cabinet, secure the hood to the EZ1 brackets using 4 no. 8-18 x 1/2" metal screws with washers (screws and washers included in parts bag). Insert 2 screws and washers per side, in the slots (as shown in inset on illustration beside).
8. For frameless cabinet, secure the hood to the cabinet using 4 no. 8 x 5/8" round head wood screws (screws and washers included in parts bag). Insert 2 screws and washers per side, in the slots (as shown in inset on illustration beside).
9. Attach power cable to the hood using the strain relief.



Warranty

Safety

Operation

Cleaning

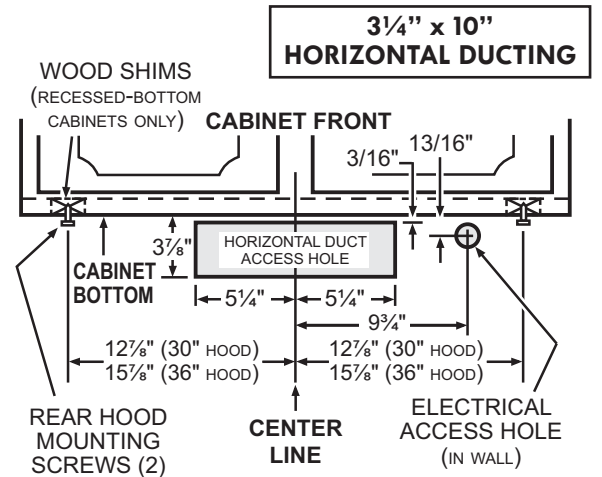
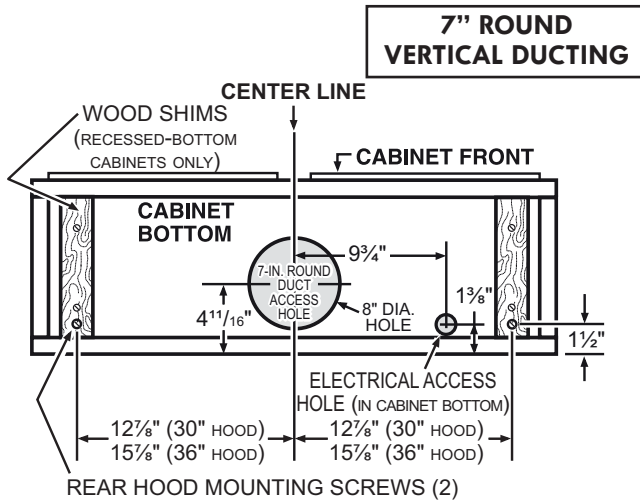
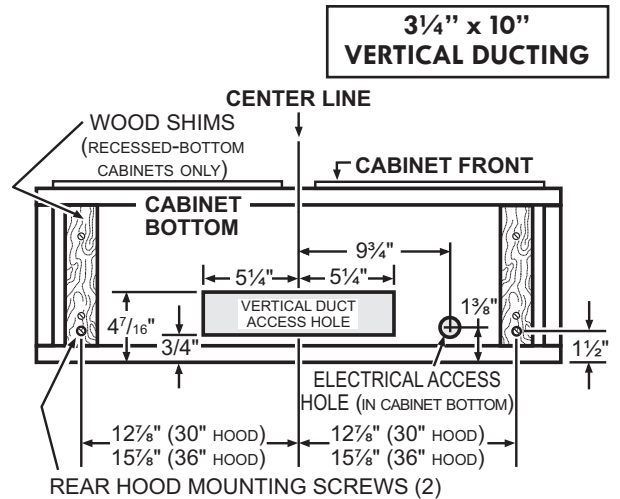
Installation

Service Parts

Standard Installation (without EZ1 brackets)

- Use these diagrams for proper placement of ductwork and electrical cutout in cabinet or wall.

For a non-ducted installation, DO NOT cut a duct access hole, only cut the hole for electrical wiring

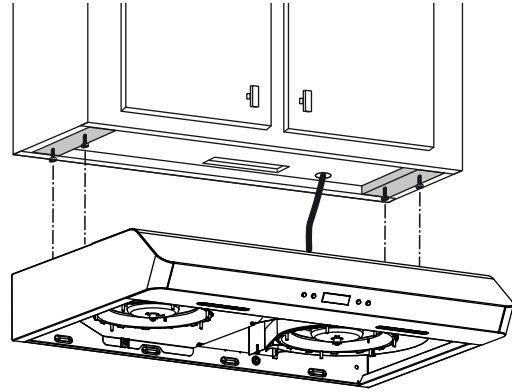


- Install part-way two (2) ROUND HEAD no. 8 x 5/8" mounting screws into shims/cabinet, according to the proper diagram above, the other 2 ROUND HEAD no. 8 x 5/8" mounting screws will be used later. (Mounting screws are included in parts bag, but wood shims and shim mounting screws are not included).

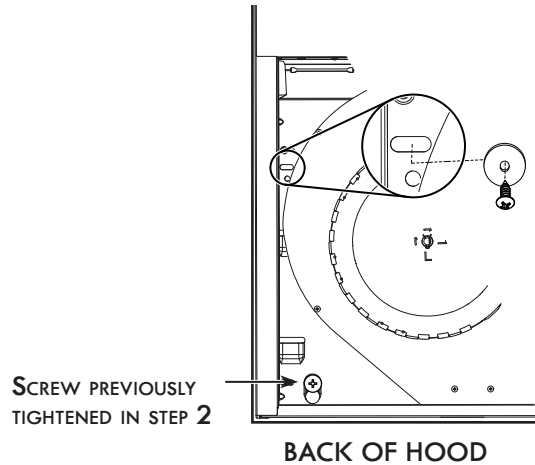
Install the Hood (Standard Installation)

NOTE: Two installers are recommended because of the weight of this hood.

1. Run house power cable between service panel and hood location. For hood with power cable access located on back of hood, run the house power cable into the hood through the strain relief previously installed in step 8 on page 8. For hood with power cable access located on top, tighten the strain relief to the power cable before inserting the strain relief in the knockout hole.
2. Hang hood from (2) mounting screws previously installed. Slide hood back towards wall until mounting screw heads are engaged in narrow end of keyhole slots in top of hood. Tighten screws securely and maintain a hold on the hood until completing step 3.



3. Secure the hood to the cabinet using 2 no. 8 x 5/8" round head wood screws and 2 washers (screws and washers included in parts bag). Insert 1 screw and washer per side, in the slots (as shown beside). Attach power cable to the hood using the strain relief.



DUCTED INSTALLATIONS ONLY

4. Connect the ductwork to the hood and use metal foil duct tape to make joints secure and air-tight. Make sure the damper assembly (or round duct plate) enters the ductwork and that the damper opens and closes freely.

Warranty

Safety

Operation

Cleaning

Installation

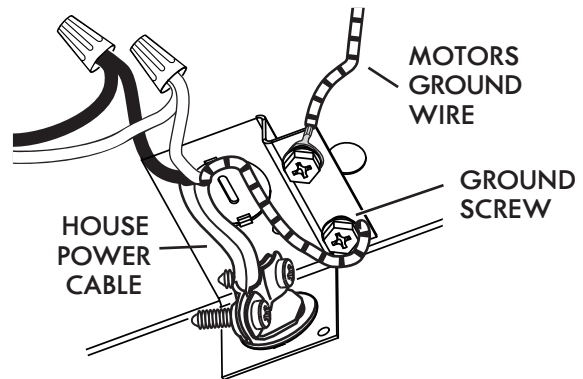
Service Parts

CONNECT THE WIRING

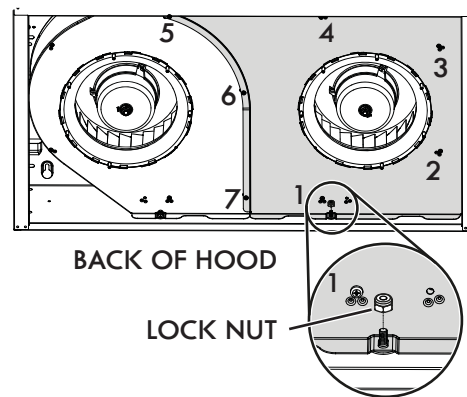


WARNING: Risk of electric shock. Electrical wiring must be done by qualified personnel in accordance with all applicable codes and standards. Before connecting wires, switch power off at service panel and lock service disconnecting means to prevent power from being switched on accidentally.

1. Connect House Power Cable to range hood wiring: BLACK to BLACK, WHITE to WHITE and GREEN or bare wire under **GREEN ground screw**.



2. Reinstall the blower cover plate (shaded part on illustration beside) using the lock nut and 7 screws previously removed in step 3 on page 9. Pay attention to screw 1 location; from back of hood point of view, it must be located on left side of the lock nut (see inset).



INSTALL THE FILTERS

Ducted Installation Only:

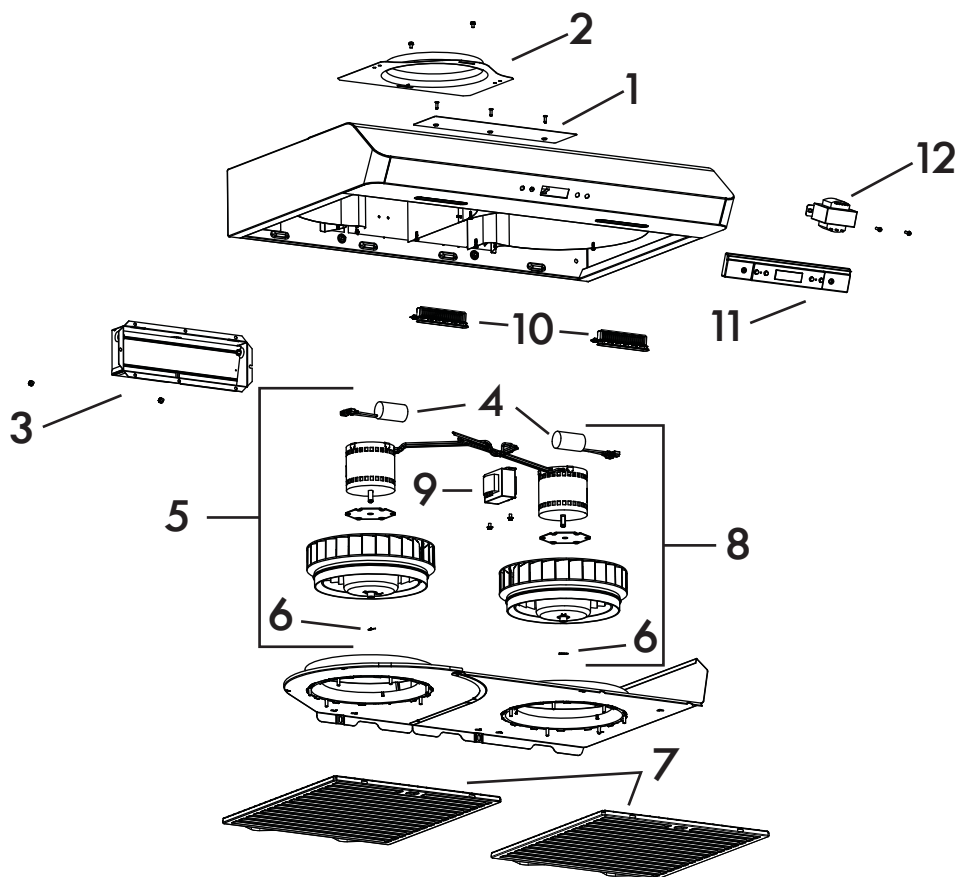
Re-install grease filters removed in step 2 on page 8, under "Prepare the Hood".

Non-ducted Installation Only:

Purchase two non-ducted filters (see part number in Service parts list). Attach the non-ducted filters following instructions packed with the non-ducted filters.

"Non-ducted Filters" available by calling Sears at
1-800-4-MY-HOME®

SERVICE PARTS



KEY NO.	PART NO.	DESCRIPTION	QUANTITY	
			51403	51413
1	S97020031	RECIRCULATION COVER PLATE, STAINLESS STEEL (INCLUDING SCREWS)	1	1
2	SR680508	7" ROUND DUCT PLATE (INCLUDING SCREWS)	1	1
3	S97020534	3 1/4" x 10" DAMPER ASSEMBLY (INCLUDING SCREWS)	1	1
4	S97020412	CAPACITOR	2	2
5	S97020842	BLOWER ASS'Y CW (INCLUDING ITEMS 4 AND 6 AND HARDWARE)	1	1
6	SR99420635	CLIP FOR FANPELLER	1	1
7	S97020204-002	GREASE FILTER - HYBRID - TYPE C1 (SET OF 2)	1	
	S97020204-003	GREASE FILTER - HYBRID - TYPE D1 (SET OF 2)		1
8	S97020843	BLOWER ASS'Y CCW (INCLUDING ITEMS 4 AND 6 AND HARDWARE)	1	1
9	S97020797	AUTOTRANSFORMER (WITH SCREWS)	1	1
10	S97020444	LED MODULE (PAIR)	1	1
11	S97020438	LCD CONTROL (WITH SCREWS)	1	1
12	S97020445	TRANSFORMER 24 V 18 VA (WITH SCREWS)	1	1
*	S97020796	WIRE HARNESS WITH AUTOTRANSFORMER AND FUSE	1	1
*	S97020360	PARTS BAG INCLUDING: 4 METAL SCREWS NO. 8-18 x 1/2", 4 WASHERS, 6 ROUND HEAD NO. 8 x 5/8" WOOD SCREWS, 6 NO. 8 x 1/2" COUNTERSUNK SCREWS	1	1
*	S97020466	NON-DUCTED FILTER - TYPE Xc (SET OF 2) (NON-DUCTED INSTALLATION ONLY)	1	
*	S97020467	NON-DUCTED FILTER - TYPE Xd (SET OF 2) (NON-DUCTED INSTALLATION ONLY)		1
*	S99527587	NON-DUCTED FILTER CLIP KIT (INCLUDES 4 CLIPS)	1	1
*	S97020470	EASY INSTALL KIT (INCLUDING HARDWARE)	1	1

Order replacement parts by PART NO. - not by KEY NO.

* Not illustrated

REPLACEMENT PARTS AND REPAIRS

In order to ensure your unit remains in good working condition, you must use the manufacturer genuine replacement parts only. The manufacturer genuine replacement parts are specially designed for each unit and are manufactured to comply with all the applicable certification standards and maintain a high standard of safety. Any third party replacement part used may cause serious damage and drastically reduce the performance level of your unit, which will result in premature failing. The manufacturer recommends to contact a certified service depot for all replacement parts and repairs.

Warranty

Safety

Operation

Cleaning

Installation

Service Parts



MASTER PROTECTION AGREEMENTS

Congratulations on making a smart purchase. Your new Kenmore® product is designed and manufactured for years of dependable operation. But like all products, it may require preventive maintenance or repair from time to time. That's when having a Master Protection Agreement can save you money and aggravation.

The Master Protection Agreement also helps extend the life of your new product. Here's what the Agreement* includes:

- ☑ **Parts and labor** needed to help keep products operating properly under normal use, not just defects. Our coverage goes well beyond the product warranty. No deductibles, no functional failure excluded from coverage - real protection.
- ☑ **Expert service** by a force of more than 10,000 authorized Sears service technicians, which means someone you can trust will be working on your product.
- ☑ **Unlimited service calls and nationwide service**, as often as you want us, whenever you want us.
- ☑ **"No-lemon" guarantee** – replacement of your covered product if four or more product failures occur within twelve months.
- ☑ **Product replacement** if your covered product can't be fixed.
- ☑ **Annual Preventive Maintenance Check** at your request – no extra charge.
- ☑ **Fast help by phone** – we call it **Rapid Resolution** – phone support from a Sears representative on all products. Think of us as a "talking owner's manual."
- ☑ **Power surge protection** against electrical damage due to power fluctuations.
- ☑ **\$250 Food Loss Protection** annually for any food spoilage that is the result of mechanical failure of any covered refrigerator or freezer.
- ☑ **Rental reimbursement** if repair of your covered product takes longer than promised.
- ☑ **10% discount** off the regular price of any non-covered repair service and related installed parts.

Once you purchase the Agreement, a simple phone call is all that it takes for you to schedule service. You can call anytime day or night, or schedule a service appointment online.

The Master Protection Agreement is a risk free purchase. If you cancel for any reason during the product warranty period, we will provide a full refund. Or, a prorated refund anytime after the product warranty period expires. Purchase your Master Protection Agreement today!

Some limitations and exclusions apply. For prices and additional information in the U.S.A. call 1-800-827-6655. *

Sears Installation Service

For Sears professional installation of home appliances, garage door openers, water heaters, and other major home items, in the U.S.A. call 1-800-4-MY-HOME®.

TABLA DE CONTENIDO

SECCIÓN.....	PÁGINA
Garantía.....	19
Instrucciones de seguridad.....	20
Operación.....	21
Limpieza.....	22
Piezas incluidas con la campana.....	23
Piezas no incluidas con la campana.....	23
Herramientas necesarias.....	23
Cuadro de largo equivalentes de conducto.....	24
Instale los conductos.....	25
Prepare la campana.....	25-27
Prepare la ubicación para la campana.....	28-32
Instalación EZ1 por una persona.....	28-29
Instale la campana (Soportes EZ1).....	30
Instalación normal (Sin soportes EZ1).....	31
Instale la campana (Instalación normal).....	32
Conecte el cableado.....	33
Instale los filtros.....	33
Piezas de servicio.....	34
Acuerdos de Protección Maestros.....	35

GARANTÍA LIMITADA DE KENMORE

Si se instala, opera y mantiene este electrodoméstico conforme a todas las instrucciones suministradas, se aplica la siguiente cobertura de garantía.

Para disponer servicio bajo garantía, llame al 1-800-4-MY-HOME® (1-800-469-4663).

- **Durante un año desde la fecha de compra**, cualquier parte de este producto que falle debido a un defecto en material o mano de obra recibirá reparación o sustitución gratuita si se hace imposible repararlo. La duración de esta cobertura no es aplicable al acabado de ninguna pieza de metal brillante o pintada.

- **Durante treinta días desde la fecha de compra**, se reemplazará sin cargo toda parte de metal brillante o pintada de este producto si está defectuoso su acabado en cuanto a material o mano de obra.

Toda cobertura de garantía queda nula si se utiliza este producto para otro fin que no sea su uso en una casa particular.

Esta garantía cubre solamente defectos en material y mano de obra, y NO abarca:

1. Piezas consumibles que pueden desgastarse por el uso normal, como filtros, correas, bombillas y bolsas, entre otras.
2. Un técnico de servicio para indicar al usuario la instalación, operación o el mantenimiento correcto del producto.
3. Un técnico de servicio para estar a cargo de la limpieza y el mantenimiento de este producto.
4. Daños o fallas de este producto si no se instala, opera o mantiene conforme a todas las instrucciones entregadas con el producto.
5. Daños o fallas de este producto resultantes de accidente, maltrato, uso indebido o utilización distinta del propósito del producto.
6. Daño o avería de este producto causada por el uso de detergentes, limpiadores, agentes químicos o utensilios que no sean los recomendados en todas las instrucciones entregadas con el producto.
7. Daño o falla de piezas o sistemas resultante de modificaciones no autorizadas realizadas a este producto.

Limitación de garantías implícitas; limitación de remedios

El único y exclusivo remedio del cliente conforme a esta garantía limitada será la reparación del producto como se indica aquí. Las garantías implícitas, como garantías de comerciabilidad o idoneidad para un fin particular, se limitan a un año o el menor periodo que permita la ley. Sears no será responsable de daños fortuitos o consecuentes. Algunos estados y provincias no permiten excluir o limitar daños fortuitos o consecuentes, ni limitar la duración de garantías implícitas de comerciabilidad o idoneidad, de tal modo que es posible que estas exclusiones o limitaciones no correspondan a su caso.

Esta garantía le concede derechos legales específicos, y usted puede tener también otros derechos que varían de un estado a otro.

Sears Brands Management Corporation, Hoffman Estates, Illinois 60179

Garantía

Seguridad

Operación

Limpieza

Instalación

Piezas de servicio



INSTRUCCIONES DE SEGURIDAD

PREVISTO PARA COCINAR DOMÉSTICO SOLAMENTE.

ADVERTENCIA  
PARA REDUCIR EL RIESGO DE INCENDIO, CHOQUE ELÉCTRICO, O LESIÓN A PERSONAS, OBSERVE LO SIGUIENTE:

1. Utilice esta unidad sólo en la manera prescrita por el fabricante. Si tiene usted alguna pregunta, comuníquese con el fabricante a la dirección o al teléfono indicados en la garantía.
2. Antes de efectuar algún servicio o limpieza, se debe desconectar la corriente eléctrica en el armario de circuitos y asegurarlo con llave para evitar que la corriente sea conectada accidentalmente. Cuando el medio de desconexión del servicio no puede ser trabado, sujete un dispositivo de advertencia evidente, tal como una etiqueta, al panel de servicio.
3. Todo trabajo de instalación y cableado eléctrico debe ser realizado por personal calificado y de acuerdo con todos los códigos y normas pertinentes, incluyendo los códigos y normas relacionados con construcción clasificada para incendio.
4. Aire suficiente es necesario para facilitar la combustión adecuada y la salida apropiada de gases por la chimenea de la unidad y para evitar corrientes de aire invertidas. Siga las instrucciones y medidas de seguridad del fabricante del equipo y de las sociedades profesionales de equipos de calentadores y los reglamentos de seguridad locales.
5. Al cortar o perforar la pared o el techo, no dañe el cableado eléctrico y otros servicios públicos ocultos.
6. Para reducir el riesgo de incendio o de descarga eléctrica, no utilice esta campana con un dispositivo de control de velocidad adicional.
7. Los ventiladores con conducto deberán siempre tener una salida hacia el exterior.
8. Para reducir el riesgo de incendio, use sólo conductos de metal.
9. Esta unidad se debe instalar con conexión a tierra.

PARA REDUCIR EL RIESGO DE UN INCENDIO POR GRASA EN LA ESTUFA:

1. Nunca deje las unidades de superficie sin supervisión cuando tengan ajustes altos. Los reboses pueden provocar humo y derrames grasos que se pueden incendiar. Caliente lentamente el aceite en un ajuste bajo o medio.
2. Siempre ENCIENDA la campana cuando cocine con alta temperatura o cuando cocine alimentos que se puedan incendiar.
3. Limpie con frecuencia los ventiladores. No debe permitir que la grasa se acumule en el ventilador ni en el filtro.
4. Utilice un sartén de tamaño adecuado. Siempre utilice el utensilio adecuado al tamaño del elemento de superficie.

ADVERTENCIA  
PARA REDUCIR EL RIESGO DE LESIONES A PERSONAS EN CASO DE INCENDIO DE GRASA EN LA ESTUFA, OBSERVE LO SIGUIENTE:*

1. APAGUE LAS LLAMAS con una tapa ajustada, plancha para galletitas o charola decorativa, y luego apague la hornilla. TENGA CUIDADO DE EVITAR QUEMADURAS. Si las llamas no se apagan de inmediato, EVACÚE EL LUGAR Y LLAME AL DEPARTAMENTO DE BOMBEROS.
 2. NUNCA LEVANTE UNA SARTEN QUE ESTÉ EN LLAMAS - Usted se podrá quemar.
 3. NO UTILICE AGUA, incluyendo toallas de cocina mojadas - puede resultar una explosión de vapor violenta.
 4. Utilice un extintor SOLAMENTE si:
 - A. Usted sabe que tiene un extintor de clase ABC y ya sabe utilizarlo.
 - B. El incendio es pequeño y contenido dentro del área donde se inició.
 - C. Los bomberos han sido avisados.
 - D. Usted puede combatir el incendio con una salida a su espalda.
- * Basado en las recomendaciones para "Seguridad en la Cocina" publicadas por NFPA de los EE.UU.

PRECAUCIÓN 

1. Solamente para uso general de ventilación. No utilice para descargar materiales peligrosos o materiales y vapores explosivos.
2. Para evitar daños al cojinete del motor y evitar que las paletas del ventilador emitan mucho ruido o estén fuera de equilibrio, mantenga el motor libre de pelusa, polvo, etc.
3. Para obtener mejores resultados en la captura de impurezas, la parte superior de la campana debe estar montada de forma tal que la campana quede de 18-30" de distancia de la superficie de la estufa.
4. Use sólo kits de cable de conexión para campana de cocina cuyo uso ya se haya estudiado y aprobado para este modelo de campana.
5. Por favor, lea la etiqueta de especificaciones del producto para mayores informaciones y requerimientos.

NOTA

Si se instalará la campana en un sistema sin conductos:

- Compre dos filtros de recirculación y instale los filtros de recirculación siguiendo las instrucciones que vienen con los filtros.

"Filtros de recirculación" disponibles llamando a:
Sears en 1-800-4-MY HOME®

OPERACIÓN



NOTA: Al poner en marcha la campana de la cocina o tras un corte de corriente, en la pantalla LCD aparecerá brevemente (± 2 segundos) un pequeño icono (1); es normal.

VENTILADOR IMPELENTE: ACTIVACIÓN, CAMBIO DE VELOCIDAD, REINICIO DEL INDICADOR DE LOS FILTROS

Cuando el ventilador impelente esté APAGADO, presione este botón pulsador para ENCENDER el ventilador en la última velocidad guardada. Si no se guardó ninguna velocidad, el ventilador se situará en la velocidad BAJA.

NOTA: Cuando se active la velocidad BAJA a partir del ventilador APAGADO, éste empieza a funcionar a velocidad MEDIA brevemente y luego pasa a velocidad BAJA.

Para cambiar la velocidad del ventilador impelente, presione de nuevo este botón pulsador hasta alcanzar la velocidad deseada (de velocidad BAJA pasará a MEDIA y luego a ALTA). Si presiona de nuevo el botón tras la velocidad ALTA, el ventilador se APAGARÁ. Cada vez que se activa la velocidad del ventilador, aparece el icono de un ventilador girando en el lado izquierdo de la pantalla LCD, con uno o varios puntos debajo. La velocidad con la que gira indica la velocidad seleccionada: lento para la velocidad BAJA (un punto), más rápido para la velocidad MEDIA (2 puntos) y máxima velocidad para la velocidad ALTA (3 puntos).

Cuando el ventilador esté encendido, en cualquier velocidad, mantenga presionado este botón pulsador hasta que desaparezca el icono del ventilador de la pantalla LCD; de este modo, se apagará el ventilador y se guardará la última velocidad seleccionada.

Heat Sentry™

Esta campana viene equipada con un dispositivo de protección que activa el ventilador impelente al detectar un nivel de calor anormalmente alto cuando el ventilador está activado. Cuando el dispositivo Heat Sentry está activado, toma el control del ventilador y lo pone en la velocidad MEDIA. Entre tanto, todos los puntos del icono del ventilador parpadean.

Sin embargo, las luces se pueden controlar. El ventilador seguirá en velocidad MEDIA hasta que el calor alcance un nivel normal, momento en el que el ventilador volverá a la velocidad seleccionada anteriormente.

NOTA: Cuando se detecta un calor excesivo, el dispositivo Heat Sentry apaga el ventilador y las luces mientras que todos los puntos debajo del icono del ventilador parpadean más rápidamente. El ventilador y las luces permanecerán apagados hasta que la temperatura ambiente se enfríe; luego, el ventilador empezará a funcionar a velocidad MEDIA (las luces pueden controlarse de nuevo). El ventilador funcionará a velocidad MEDIA hasta que el calor vuelva a la situación normal, momento en el que el ventilador volverá a la velocidad seleccionada anteriormente.

OPERACIÓN

PARADA RETARDADA

Cuando el ventilador esté encendido, presione este botón pulsador para activar la función de retardo. Este icono aparece en la pantalla LCD al lado del icono del ventilador para indicar que la función está activada. El ventilador seguirá funcionando durante 10 minutos y luego se apagará automáticamente (el icono del ventilador y el de parada retardada desaparecerán de la pantalla LCD). Cuando la función de parada retardada está activada, se puede cambiar la velocidad del ventilador presionando el botón pulsador del ventilador sin que ello afecte el tiempo de retardo restante.

Para anular la función de parada retardada antes de que acabe el ciclo de 10 minutos, presione de nuevo en el botón pulsador de parada retardada.

ILUMINACIÓN, CAMBIO DE INTENSIDAD DE LAS LUCES

Presione este botón pulsador para encender las luces con la intensidad que se guardó la última vez. En la parte derecha de la pantalla LCD aparecerá el icono de la luz; el número de puntos que aparecen debajo del icono indica la intensidad de las luces (un punto significa intensidad BAJA; dos puntos, intensidad MEDIA y tres puntos, intensidad ALTA).

Para cambiar la intensidad de las luces, presione el botón pulsador hasta lograr el nivel deseado (si presiona una vez más con las luces en intensidad ALTA, las luces se apagarán).

Cuando las luces estén encendidas, independientemente de la intensidad, mantenga presionado este botón pulsador hasta que desaparezca el icono de la luz de la pantalla LCD; de este modo, se apagarán las luces y se guardará la intensidad elegida.

Los módulos LED incluidos con esta campana extractora constituyen la más avanzada tecnología de iluminación LED de superficies de cocción. Diseñados específicamente para operar a temperaturas elevadas de cocción, estas luces LED ofrecen una iluminación muy clara, duran hasta 25 veces más tiempo que los focos estándar y son mucho más fiables que las lámparas LED de recambio comunes.

ENCENDIDO/APAGADO PRINCIPAL

Presione este botón pulsador para encender las luces y el ventilador impelente en los niveles de intensidad guardados la última vez. Cuando las luces o el ventilador estén ENCENDIDOS, al presionar este botón pulsador se memorizará la velocidad del ventilador y la intensidad de las luces en ese momento antes de APAGARLOS.

RECORDATORIO DE LIMPIEZA DE LOS FILTROS

Este icono aparece en la pantalla LCD 30 segundos después de APAGAR el ventilador cuando llega el momento de limpiar la campana y los filtros (consulte la sección Limpieza y mantenimiento en la página 22). Esto ocurre cada vez que el ventilador impelente esté APAGADO hasta que el recordatorio de limpieza de los filtros esta reinicie. Una vez terminada la limpieza, reinicie el recordatorio de limpieza de los filtros presionando el botón pulsador de activación del ventilador durante 3 segundos) cuando la duración de 30 segundos de la aparición del icono.

Garantía

Seguridad

Operación

Limpieza

Instalación

Piezas de servicio

LIMPIEZA



ADVERTENCIA: Para reducir el riesgo de una descarga eléctrica, desconecte el suministro eléctrico antes de limpiar la unidad.

Filtros híbridos

Limpie frecuentemente los filtros con agua caliente y un detergente suave. Los filtros se pueden lavar en lavaplatos. Se debe lavar los filtros de malla de aluminio aproximadamente cada mes, dependiendo de su uso. Lávelos con mayor frecuencia si su forma de cocinar genera más grasa - como, por ejemplo, frituras o 'wok'.

Filtros de recirculación

(disponibles por separado – ver página 22)

Los filtros de recirculación deberían cambiarse cada 3 a 6 meses. Sustitúyalo con mayor frecuencia si su tipo de cocina genera más grasa, por ejemplo si fríe o cocina con wok. Consulte las instrucciones de instalación que vienen con el filtro de recirculación.

Superficies de acero inoxidable de la campana

A hacer:

- Lávelo regularmente con un trapo limpio empapado con una disolución de agua tibia y jabón suave o detergente para lavar vajillas.
- Limpie siempre en la dirección de las líneas de pulido.
- Enjuague siempre bien con agua limpia (2 o 3 veces) después de limpiar. Séquelo completamente.
- También puede usar un producto limpiador doméstico para acero inoxidable.

A no hacer:

- Usar lana de acero o de acero inoxidable o un rascador para quitar la suciedad más incrustada.
- Usar productos limpiadores agresivos o abrasivos.
- Dejar que se acumule la suciedad.
- Permitir que el polvo de yeso u otros residuos de construcción entren en contacto con la campana. Durante los trabajos de construcción o renovación, cubra la campana para evitar que el polvo se adhiera a las superficies de acero inoxidable.

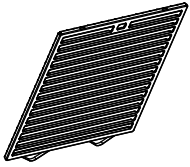
Al elegir un detergente, evite:

- Los productos limpiadores que contengan blanqueador (lejía) ya que dañarán el acero inoxidable.
- Los productos que contengan: **cloruro, fluoruro, yoduro, bromuro**, ya que deteriorarán las superficies rápidamente.
- Los productos combustibles que se usan para limpiar, tales como: **acetona, alcohol, éter, bencol**, etc., ya que son muy explosivos y no deberían usarse nunca cerca de una cocina.

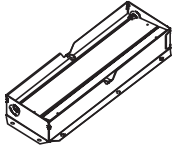
Montaje de los ventiladores

Los motores están lubricados permanentemente y no necesitan engrase nunca. Si los rodamientos de un motor hacen un ruido excesivo o no habitual, sustituya este motor por otro idéntico. También se debería sustituir su rueda. El centro de las ruedas de los ventiladores deberían limpiarse con frecuencia. Use un trapo limpio empapado con una disolución de agua tibia y detergente.

PIEZAS INCLUIDAS CON LA CAMPANA



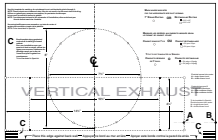
Filtros de grasa híbrido
(2 por campana)



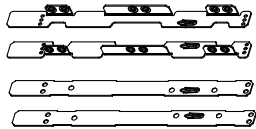
Conjunto de la clapeta
de retención
3 1/4" x 10"



Conector de conducto
redondo de 7"



Sistema de instalación EZ1
por una persona
(incluso plantilla para
instalación de conductos,
impresa por ambos lados,
y soportes de instalación)

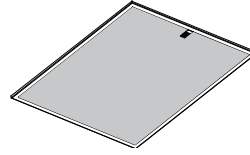


Bolsa de piezas
(4 tornillos para metal n.º 8-18 x 1/2",
4 arandelas, 6 tornillos de cabeza redonda
para madera n.º 8 x 5/8", 6 tornillos
embuditos para madera n.º 8 x 1/2")



PIEZAS NO INCLUIDAS CON LA CAMPANA

PIEZAS OPTATIVAS (compra separada)



Filtros de recirculación
(Campana sin conducto
unicamente)
(2 por campana)
PiezaS Sears:
N.º S97020466 (anchura de 30")
N.º S97020467 (anchura de 36")



Regulador de tiro
redondo de 7"
(Para uso con conducto
redondo de 7"
Pieza Sears N.º 59183

Accesorios para conductos
(Vea el "Cuadro de largo equivalente de conducto"
de la página 23 para obtener los Nos. de Modelos de
Accesorios para Conductos).

Las "Piezas no incluidas con la campana" están
disponibles llamando a Sears al 1-800-4-MY-HOME®

TOOLS NEEDED FOR HOOD INSTALLATION



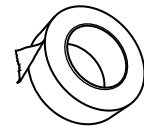
Destornillador
(chato y Phillips)



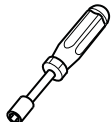
Perforadora
(con broca de 1/8",
broca de 7/64", y
serrucho de calar
de 1/2")



Pinzas de
punta



Cinta adhesiva
metálica
para conductos



Destornillador
para tuercas
11/32"



Cinta métrica



Sierra
de punta



Serrucho
de punta



Lápiz



Tijera para
hojalatero



Pelador de
cable

Garantía

Seguridad

Operación

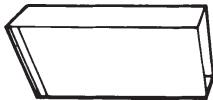

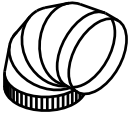

Limpieza



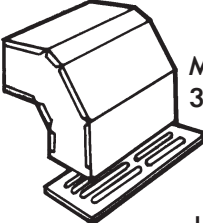
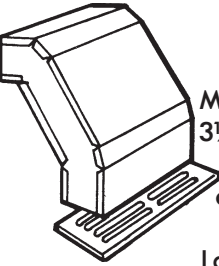
Instalación

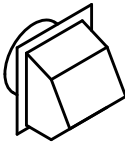
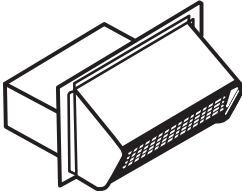
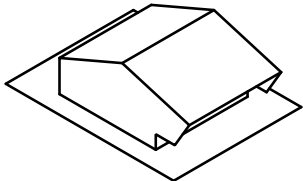
Piezas de servicio

CUADRO DE LARGO EQUIVALENTE DE CONDUCTO

Las campanas de cocina Kenmore fueron diseñadas para su desempeño eficiente cuando se las sujeta a largos recorridos de conducto. Como punto de referencia, esta campana funcionará a aproximadamente el 80% de su flujo de aire nominal cuando se le sujeta 30 pies equivalentes de conducto redondo de 7". Utilice esta cuadro para calcular el largo equivalente de conducto de su sistema.

	Modelo Broan 401 Conducto recto 3¼-pulg. x 10-pulg. x 2-pies de largo. Largo equivalente 2 pies
	Modelo Broan 407 Conducto recto 7-pulg. alrededor x 2 pies de largo. Largo equivalente 2 pies
	Modelo Broan 415 Acodado redondo de 7 pulg. Largo equivalente 8 pies
	Modelo Broan 412H 3¼-pulg. x 10-pulg. a 7-pulg. Transición redondo Largo equivalente 5.5 pies

	Modelo Broan 428 3¼-pulg. x 10-pulg. Acodado con ángulo recto Largo equivalente 8.5 pies
	Modelo Broan 429 3¼-pulg. x 10-pulg. Acodado plano con ángulo recto Largo equivalente 24 pies
	Modelo Broan 430 3¼-pulg. x 10-pulg. Acodado con alero corto y ángulo recto. Largo equivalente 15 pies
	Modelo Broan 431 3¼-pulg. x 10-pulg. Acodado con alero largo y ángulo recto Largo equivalente 15 pies

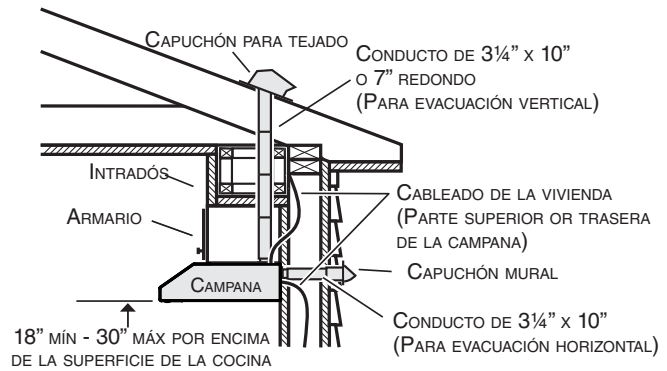
	Modelo Broan 647 7-pulg. Tapón de pared redondo Largo equivalente 34 pies (6 pies sin regulador de tiro)
	Modelo Sears 59391 3¼-pulg. x 10-pulg. Tapón de pared Largo equivalente 45 pies (7 pies sin regulador de tiro)
	Modelo Sears 59091 Tapón de techo (acepta ducto de 7-pulg. redondo o de 3¼-pulg. x 10-pulg.). Largo equivalente 30 pies (7 pies] sin regulador de tiro)

"Accesorios para conductos" modelo Sears disponibles llamando a:
Sears en 1-800-4-MY HOME®

"Accesorios para conductos" modelo Broan disponibles llamando a:
1-800-558-1711.

INSTALE LOS CONDUCTOS (INSTALACIONES CANALIZADAS ÚNICAMENTE)

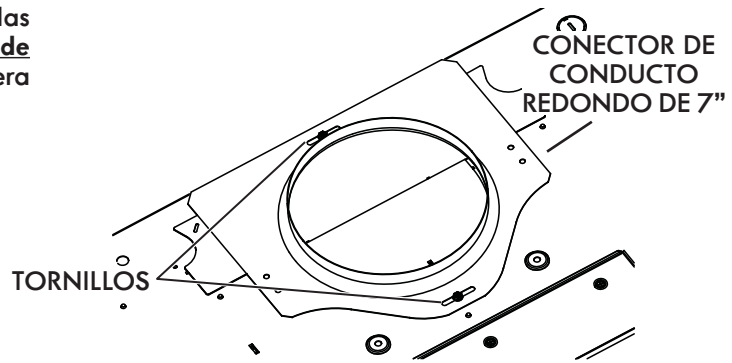
1. Determine si la campana evacuará verticalmente (conducto redondo de 3¼" x 10" o 7") u horizontalmente (conducto de 3¼" x 10" únicamente).
2. Decida por dónde pasarán los conductos entre la campana y el exterior.
3. Elija un paso recto y corto para que la campana funcione de la forma más eficaz. Los recorridos largos, los codos y las transiciones reducen el desempeño de la campana. Use los menos posible. Cuando pueda, prevea al menos 2 pies de conducto recto antes de cualquier giro. Pueden ser necesarios conductos más anchos para lograr mejor desempeño cuando los conductos más largos giran.
4. Instale un capuchón mural o un capuchón para tejado (se venden por separado). Conecte el conducto metálico al capuchón y vuelva al lugar donde se encuentra la campana. Use cinta adhesiva metálica de 2" para sellar las juntas entre los tramos de los conductos.



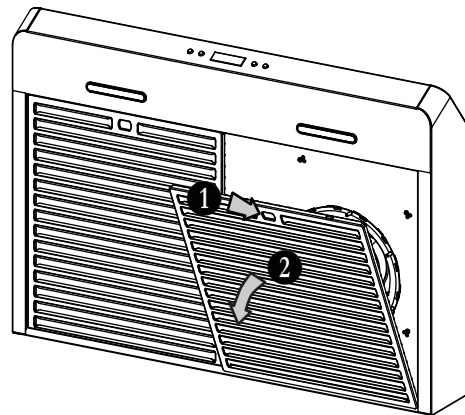
NOTA: Las distancias superiores a 30" son a discreción del instalador y del usuario.

PREPARE LA CAMPANA

1. De haberla, retire de la campana y de todas las piezas la película protectora. Retire el **conector de conducto redondo de 7"** de la parte superior trasera de la campana (véase la ilustración al lado).



2. Use el orificio de agarre para retirar de la campana los **filtros de grasa híbridos** empujando hacia abajo e inclinando los filtros hacia fuera.



Garantía

Seguridad

Operación

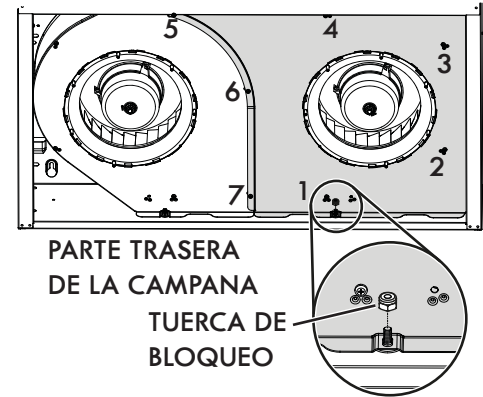
Limpieza

Instalación

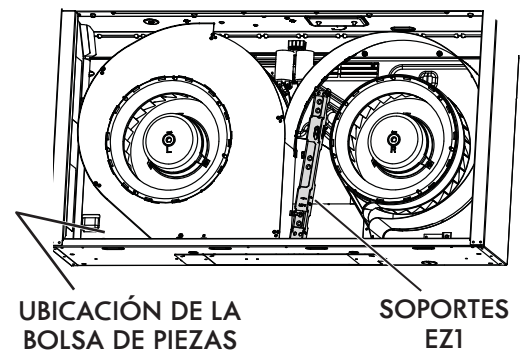
Piezas de servicio

- Utilice un destornillador para tuercas de 11/32" para remover la tuerca de bloqueo que sujetan el reborde de la placa de cubierta derecha (parte sombreada de la ilustración al lado) a la parte trasera interna de la campana (vease el recuadro). Retire los 7 tornillos que sujetan la placa de cubierta derecha, después desmonte la placa de cubierta y consérvelo con su tornillos y tuerca de bloqueo.

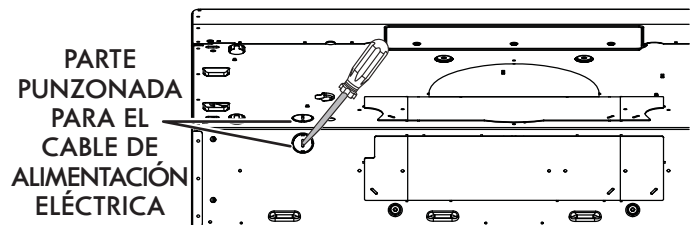
NOTA: Levante ligeramente la placa de cubierta antes de deslizarla hacia la izquierda para sacarla.



- Retire la **bolsa de piezas** que esta sujeta con cinta adhesiva a la campana; en la esquina inferior izquierda de la campana. Retire los **soportes EZ1** del interior de la campana cortando la tira de amarre, y quite esta tira de amarre

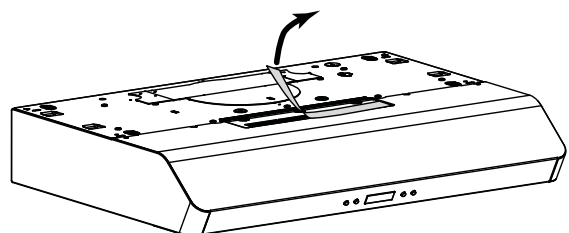
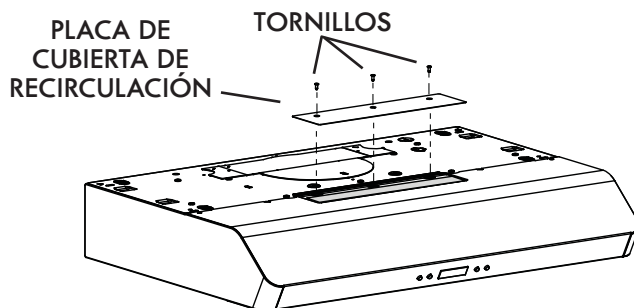


- Retire la parte punzonada para el cable de alimentación eléctrica desde la parte superior (salida vertical) o desde la parte trasera (salida horizontal) de la campana. Para la parte punzonada quitado desde la parte trasera de la campana, instale una descarga de presión adecuada de 1/2" de diámetro (no incluida). Para la parte punzonada quitado desde la parte superior de la campana, la descarga de presión será instalada más tarde.



INSTALACIÓN SIN CONDUCTOS ÚNICAMENTE

- Retire los 3 tornillos que sujetan la placa de cubierta de recirculación a la campana. Deseche esta placa y los tornillos. Remueva la membrana (parte sombreada de la ilustración de abajo) cubriendo la reja de recirculación, asegurándose que las aperturas están totalmente despejadas.



INSTALACIÓN CON CONDUCTOS ÚNICAMENTE

7. Retire la placa punzonada vertical de 3¼" x 10", la placa punzonada horizontal de 3¼" x 10" (ambos están las placas punzonadas rectangular **centrales**, veanse las zonas rayadas), o la placa punzonada redonda de 7 pulgadas, según el modo de evacuación elegido (véanse las FIGURAS 1 A y 1 B).

FIGURA 1 A

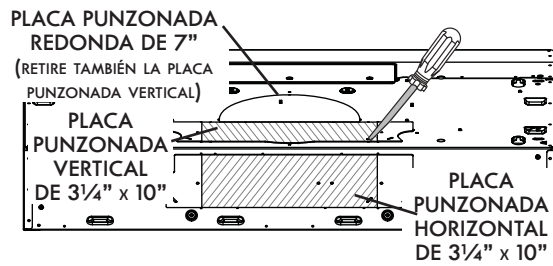
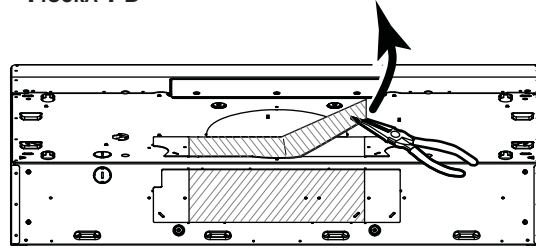


FIGURA 1 B



8. Instale el conjunto de la clapeta de 3¼" x 10" en la parte superior O en la parte trasera de la campana (si se usa el conducto de 3¼" x 10"; parte sombreada de la FIGURA 2 A de abajo) o el conector de conducto redondo de 7" (si se usa el conducto redondo de 7 pulgadas, FIGURE 3) por encima de la abertura punzonada. Una vez instalado, el conjunto de la clapeta de 3¼" x 10" debe abrirse como se ve en la FIGURA 2 B.

FIGURA 2 A

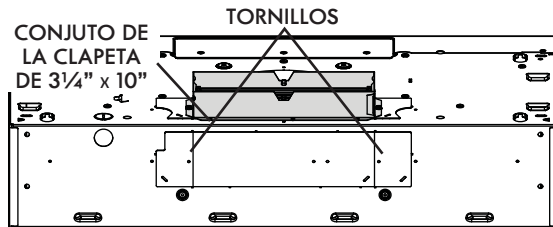


FIGURA 2 B

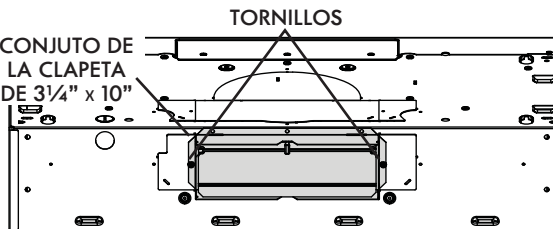
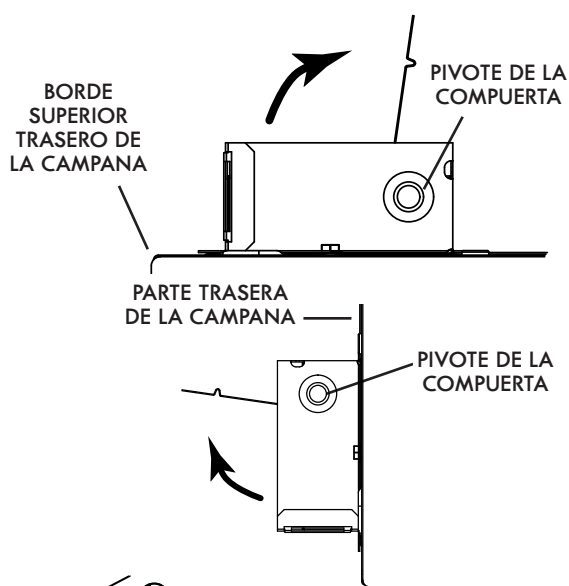
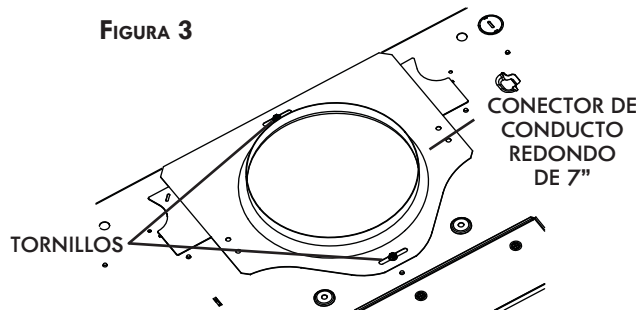


FIGURA 3



NOTA: Para adaptarse a un conducto descentrado, el conector de conducto redondo de 7" puede instalarse hasta 1/2" de cada lado del centro de la campana.

CONSEJO: Introduzca una pequeña longitud de conducto en el conjunto de la clapeta de 3¼" x 10" (para un conducto rectangular) o en la placa para conducto redondo de 7" (para un conducto redondo) y selle la junta con cinta adhesiva de aluminio para facilitar la conexión con los conductos de la vivienda.

Garantía

Seguridad

Operación

Limpieza

Instalación

Piezas de servicio

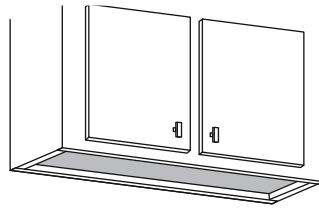
PREPARE LA UBICACIÓN DE LA CAMPANA

NOTA: Antes de empezar la instalación, lea todas las etapas de estas instrucciones.

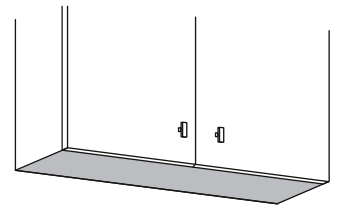
Use la ilustración de la derecha para reconocer su tipo de armario de cocina.

Este manual cubre 2 tipos de instalación: la normal (sin soportes EZ1) y la instalación EZ1 por una persona (usando la plantilla y los soporte provistos). Para la instalación normal, vaya a la página 31.

ARMARIO CON ARMAZÓN



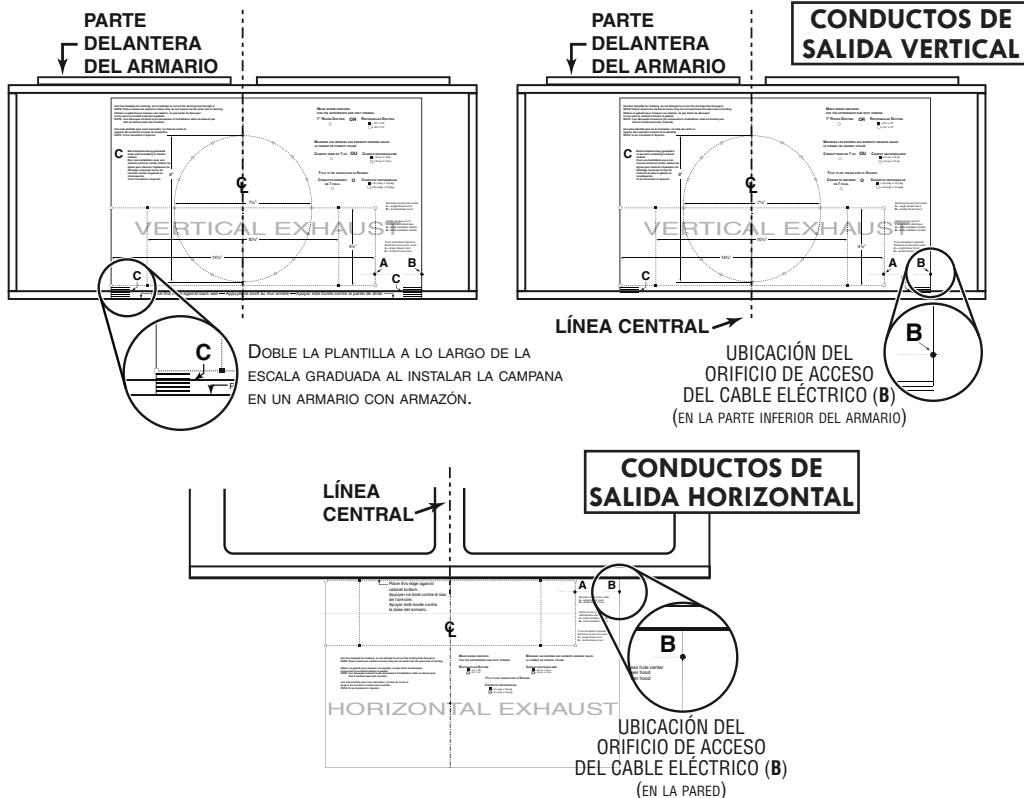
ARMARIO SIN ARMAZÓN



Sistema de instalación EZ1 por una persona

La instalación EZ1 está pensada para armarios de cocina que tienen la misma anchura que la de la campana. Si el armario es 1/2" más ancho que la campana, use el modo de instalación normal.

- Use la plantilla adecuada para la evacuación vertical U horizontal (incluidas) para colocar los conductos y la alimentación eléctrica en el armario o en la pared. Para una instalación sin conductos, NO corte el orificio de acceso al conducto; corte sólo el orificio para el cableado eléctrico. Si sustituye una campana y prevé usar el conducto y la alimentación eléctrica existentes, puede que las etapas 2 a 5 no sean necesarias. De ser el caso, pase a la etapa 6.
- Mida y marque la línea central de la campana en la parte inferior del armario.
- Alinee la línea central de la plantilla con la línea central de la campana marcada en la parte inferior del armario, colocando el borde (donde se indica) de la plantilla contra la pared trasera. Cuando se use un armario con armazón para una instalación con salida vertical, pliegue hacia atrás el borde de la plantilla en una medida equivalente a la profundidad del armazón del armario en la pared (use las graduaciones de la plantilla, puntos C de la plantilla). Sujete la plantilla con cinta adhesiva.
NOTA: Si se sitúa frente a la instalación, A y B (en la plantilla) deben estar a la derecha.



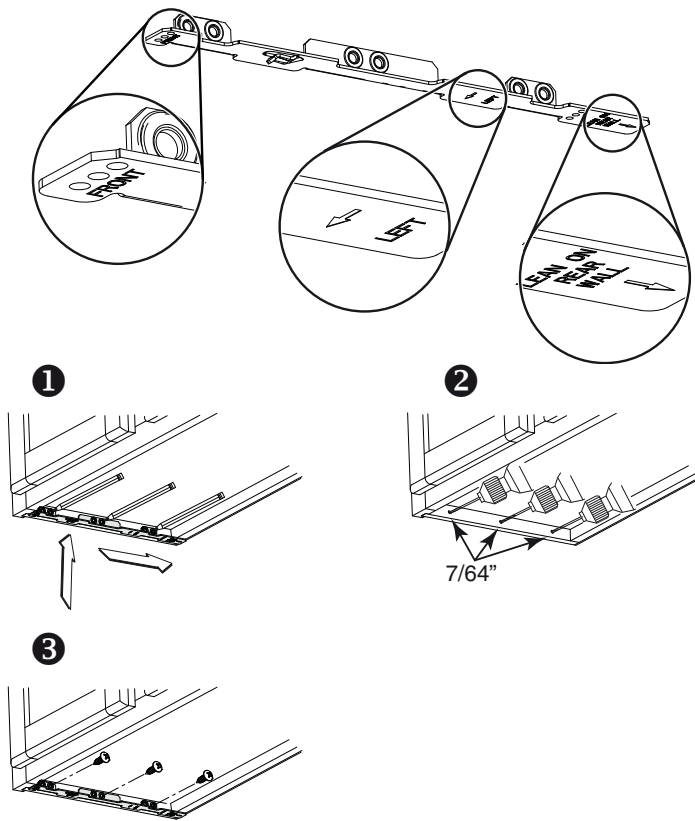
- Taladre un orificio piloto de 1/8" de diámetro para el cableado de la vivienda, en el punto B de la plantilla.
- Use un lápiz afilado o una broca de 1/8" para marcar los puntos para los orificios de acceso de los conductos (16 puntos para un conducto redondo de 7", o 4 puntos en las esquinas para un conducto rectangular). Retire la plantilla.
- Dibuje el borde de la evacuación de salida uniendo los puntos (16 puntos para un conducto redondo de 7" y 4 puntos para un conducto rectangular), corte la abertura en la parte inferior del armario (salida vertical) o en la pared (salida horizontal). Taladre el orificio para el cableado de la vivienda usando un serrucho de calar de 1 1/2" centrándolo en el orificio piloto hecho en la etapa 4.

7. Instale los soporte de instalación adecuados según el tipo de armario (con armazón o sin armazón). Véase abajo.

ARMARIO CON ARMAZÓN

Consulte las marcas de los soporte para establecer el lado y la orientación correctos de la instalación (marcas en ingles solamente: *front* = frente, *left* = izquierda, *lean on rear wall* = apoyar contra la pared de atrás).

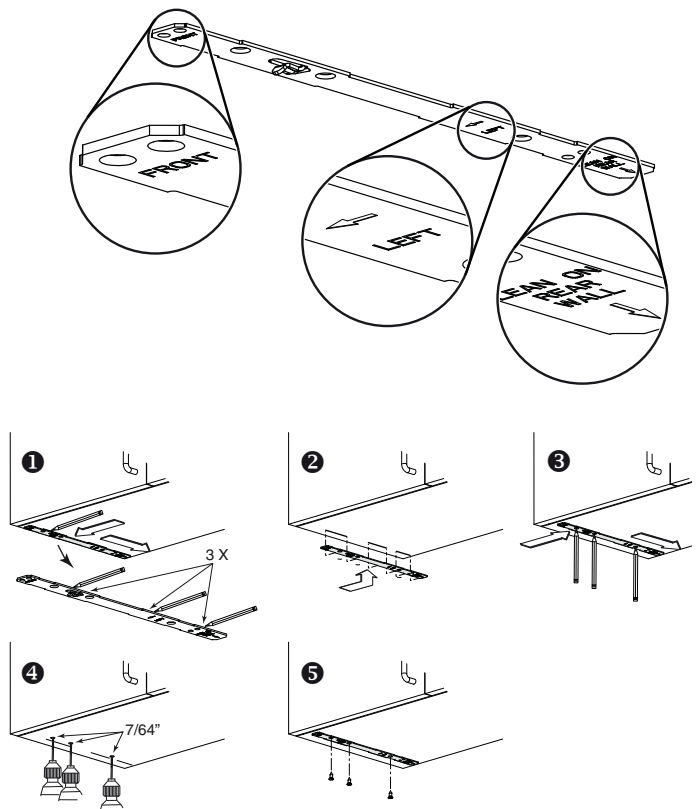
- 1 Acople el soporte correspondiente a la armazón lateral del armario colocando la parte de atrás del soporte contra la pared. Use un lápiz para marcar 3 orificios (hay 6 orificios pero sólo se necesitan 3).
- 2 Retire el soporte. Use una broca de 7/64" para taladrar 3 orificios donde los marcara.
- 3 Una el soporte al armazón lateral con un destornillador Phillips y 3 tornillos para madera n.º 8 x 9/16" provistos. Repita la operación en el otro lado del armazón.



ARMARIO SIN ARMAZÓN

Consulte las marcas de los soporte para establecer el lado y la orientación correctos de la instalación (marcas en ingles solamente: *front* = frente, *left* = izquierda, *lean on rear wall* = apoyar contra la pared de atrás).

- 1 Alinee el soporte correspondiente al lado del armario, colocando al mismo tiempo la parte trasera del soporte contra la pared. Dibuje una línea a lo largo del borde exterior del soporte (como se muestra).
- 2 Coloque el soporte en el centro del armario y alinee el borde lateral con la línea marcada manteniendo la parte trasera apoyada en la pared.
- 3 Use un lápiz para marcar 3 orificios.
- 4 Retire el soporte. Use una broca de 7/64" para taladrar 3 orificios donde los marcara.
- 5 Una el soporte a la parte inferior del armario con un destornillador Phillips y 3 tornillos embutidos para madera provistos. Repita la operación en el otro lado del armario.



Garantía

Seguridad

Operación

Limpeza

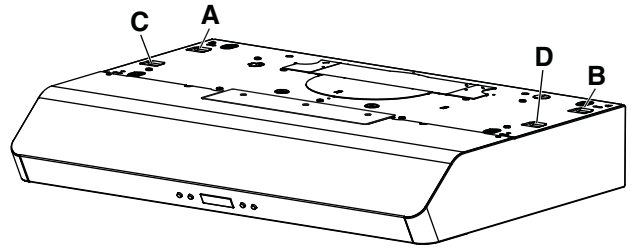
Instalación

Piezas de servicio

Instale la campana (Soportes EZ1)

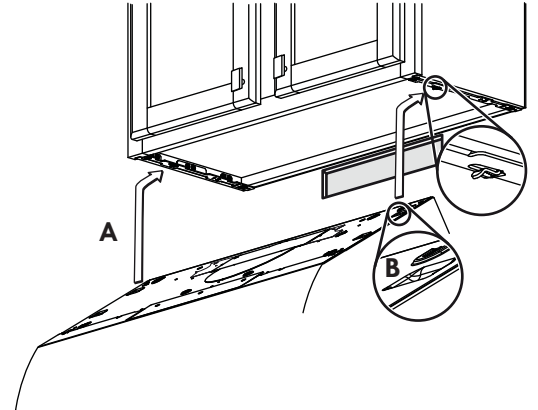
NOTA: El procedimiento siguiente se aplica a las instalaciones en armarios con armazón y sin armazón.

1. Lleve el cable de alimentación de la vivienda del tablero de servicio al lugar de la campana.
2. Hay 2 pares de orificios rebajados en cada lado de la parte superior de la campana (en la parte trasera: A y B, en la parte delantera C y D en la ilustración de derecha); estos orificios permiten colgar la campana a los soportes (instalados previamente).



INSTALACIÓN CON SALIDA HORIZONTAL

3. Cuelgue provisionalmente la campana de los soportes por medio de los dos (2) ORIFICIOS TRASEROS rebajados (A y B). Mientras sujeta la campana, lleve el cable de alimentación de la vivienda hasta la campana a través de la descarga de presión instalada previamente en la etapa 5 en la página 26.
4. Desenganche los orificios traseros de los soportes y cuelgue la campana por medio de los dos (2) ORIFICIOS DELANTEROS rebajados (C y D). Mientras sujeta la campana, pase a la etapa 6.



INSTALACIÓN CON SALIDA VERTICAL

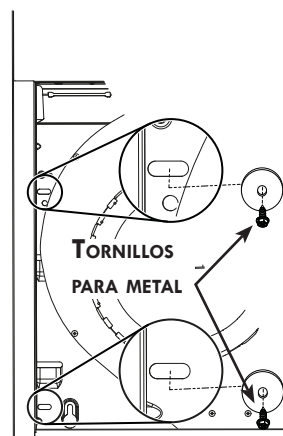
5. Cuelgue la campana a los soportes usando los dos (2) ORIFICIOS DELANTEROS rebajados (C y D). Mientras sujeta la campana, apriete una descarga de presión adecuada de 1/2" de diámetro (no incluida) al cable de alimentación, después inserte la descarga de presión en el orificio punzonado.

INSTALACIÓN CON CONDUCTOS ÚNICAMENTE

6. Conecte los conductos a la campana y use cinta adhesiva metálica para sellar las juntas. Asegúrese de que el conjunto de la clapeta (o la placa del conducto redondo) entra en el conducto y que la clapeta se abre y se cierra sin dificultad.

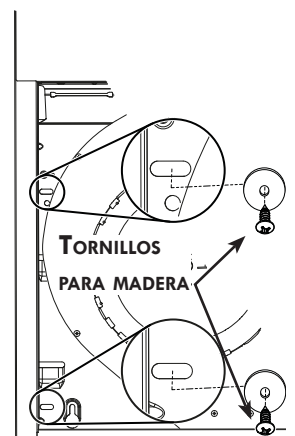
7. En los armarios con armazón, sujete la campana a los soportes EZ1 por medio de los (4) tornillos para metal no 8-18 x 1/2" y las arandelas (los tornillos y las arandelas vienen en la bolsa de piezas). Introduzca (2) tornillos (y la arandela) en cada lado, en las ranuras (como se ve en los detalles de la ilustración de derecha).

ARMARIO CON ARMAZÓN



8. En los armarios sin armazón, sujete la campana al armario por medio de los (4) tornillos de cabeza redonda para madera no 8 x 5/8" (los tornillos y las arandelas vienen en la bolsa de piezas). Introduzca (2) tornillos (y la arandela) en cada lado, en las ranuras (como se ve en los detalles de la ilustración de derecha).

ARMARIO SIN ARMAZÓN



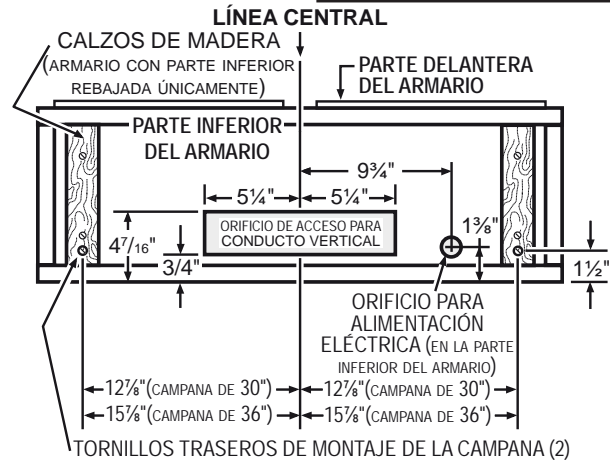
9. Sujete el cable de alimentación a la campana por medio de la descarga de presión.

Instalación normal (sin soportes EZI)

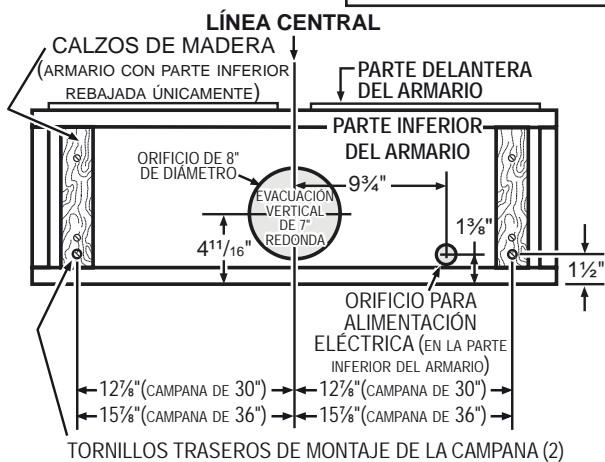
1. Use el diagrama adecuado de abajo para colocar los conductos y la alimentación eléctrica en el armario o en la pared.

Para una instalación sin conductos, **NO** corte el orificio de acceso al conducto; corte sólo el orificio para el cableado eléctrico.

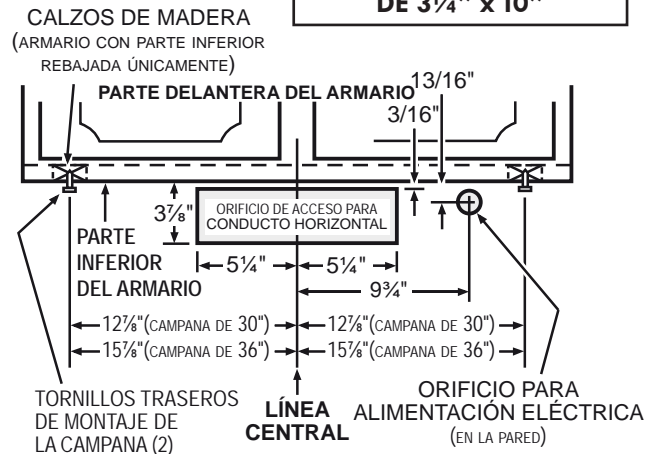
EVACUACIÓN VERTICAL DE 3 1/4" x 10"



EVACUACIÓN VERTICAL DE 7" REDONDA



EVACUACIÓN HORIZONTAL DE 3 1/4" x 10"



2. Instale parcialmente dos (2) tornillos de montaje de CABEZA REDONDA n.º 8 x 5/8" en el calzo o en el armario, de acuerdo con el diagrama adecuado de arriba. Los otros dos tornillos de CABEZA REDONDA no 8 x 5/8" estarán utilizados más tarde. (Los tornillos de montaje vienen en la bolsa de piezas, pero los calzos de madera y los tornillos de montaje de los calzos no están incluidos.)

Garantía

Seguridad

Operación

Limpieza

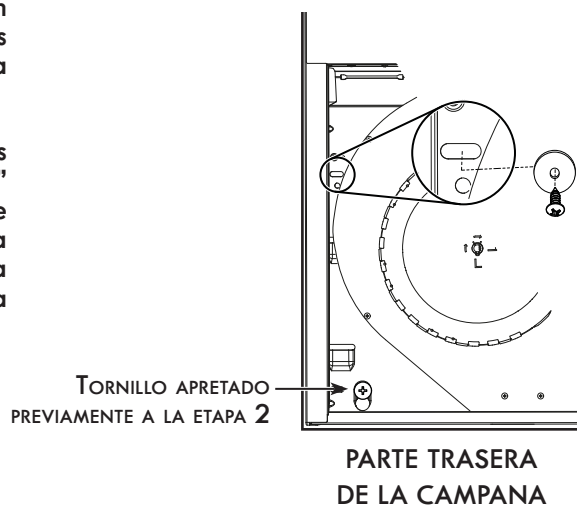
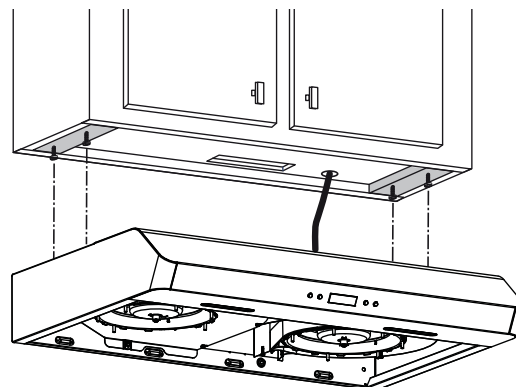
Instalación

Piezas de servicio

Instale la campana (Instalación normal)

NOTA: Debido al peso de esta campana, se aconseja que la instalen dos instaladores.

1. Lleve el cable de alimentación de la vivienda del tablero de servicio al lugar de la campana. Si el orificio de acceso del cable alimentación de la campana este en su parte trasera, lleve el cable de alimentación de la vivienda a la campana a través de la descarga de presión instalada previamente en la etapa 5 en la página 26. Si el orificio del cable alimentación de la campana este en su parte superior, sujete una descarga de presión adecuada de 1/2" de diámetro (no incluida) al cable de alimentación antes de insertar este descarga de presión a través el orificio y sujete el cable de alimentación a la campana.
2. Cuelgue la campana de los dos 2 tornillos de montaje instalados previamente. Coloque de nuevo la campana contra la pared hasta que las cabezas de los tornillos de montaje se introduzcan en el extremo estrecho de las ranuras de los orificios en forma de cerradura en la parte superior de la campana. Apriete los tornillos firmemente y sostenga la campana hasta que la etapa 3 esta terminada.
3. Sujete la campana al armario por medio de dos tornillosde montaje de CABEZA REDONDA no 8 x 5/8" (los tornillos y las arandelas vienen en la bolsa de piezas). Introduzca 1 tornillo (y la arandela) en cada lado, en las ranuras (como se ve en los detalles de la ilustración al lado). Sujete el cable de alimentación a la campana usando la descarga de presión.



INSTALACIÓN CON CONDUCTOS ÚNICAMENTE

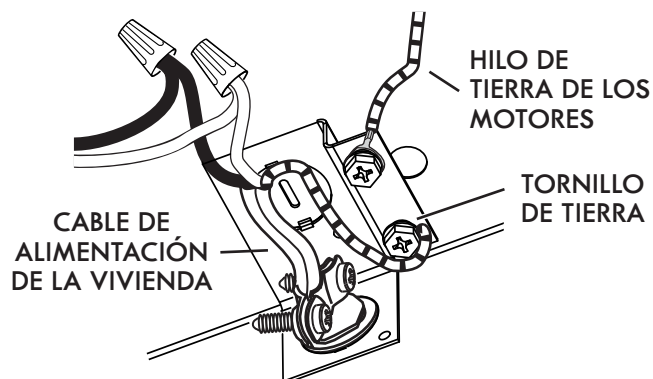
4. Conecte los conductos a la campana y use cinta adhesiva metálica para sellar las juntas. Asegúrese de que el conjunto de la clapeta (o la placa del conducto redondo) entra en el conducto y que la clapeta se abre y se cierra sin dificultad.

CONECTE EL CABLEADO

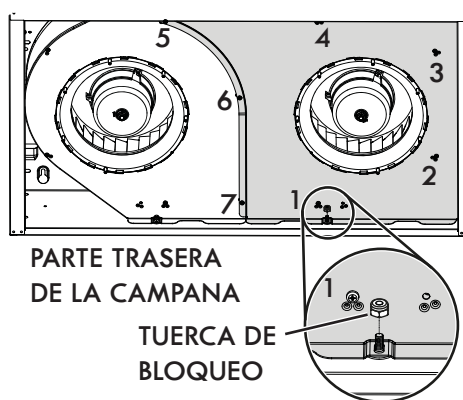


ADVERTENCIA: Riesgo de descarga eléctrica. El cableado eléctrico debe hacerlo personal cualificado de acuerdo con los códigos y normas aplicables. Antes de conectar los hilos, corte la corriente en el tablero de servicio y bloquee éste para evitar que se ponga en marcha accidentalmente.

1. Conecte el cable de alimentación de la vivienda al cableado de la campana: El hilo NEGRO con el NEGRO, el BLANCO con el BLANCO y el VERDE o el hilo pelado con el **tornillo VERDE de tierra**.



2. Reinstalar la placa de cubierta del ventilador (parte sombreada de la ilustración al lado) utilizando la tuerca de bloqueo y los tornillos previamente quitados en la etapa 3 en la página 26. Prestar atención a la ubicación del tornillo 1, desde el punto de vista de la parte trasera de la campana, su ubicación debe ser a la izquierda de la tuerca de bloqueo (vease el recuadro).



INSTALE LOS FILTROS

Instalación con conductos únicamente:

Vuelva a instalar los filtros de grasa que quitó en la etapa 2, en la página 25 (sección "Prepare la campana").

Instalación sin conductos únicamente:

Compre dos filtros para instalación sin conductos (vea el número de pieza en piezas de servicio). Instale los filtros de recirculación siguiendo las instrucciones que vienen con los filtros.

"Filtros de recirculación" disponibles llamando a:
Sears en 1-800-4-MY HOME®

Garantía

Seguridad

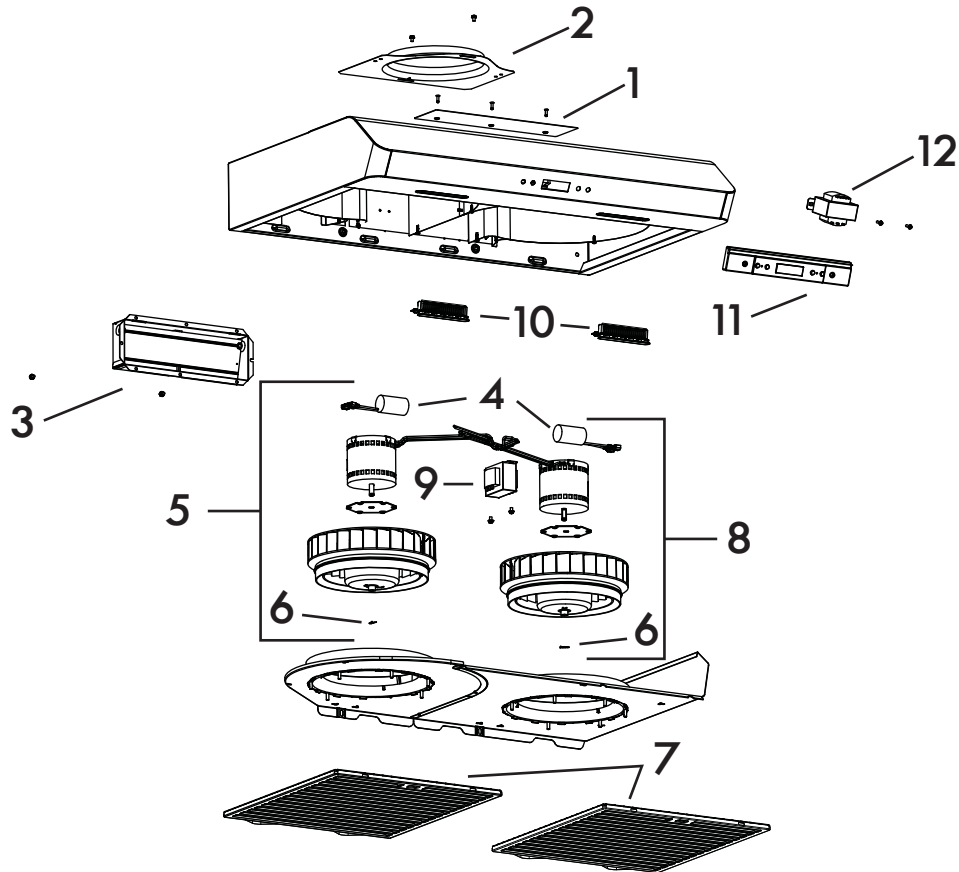
Operación

Limpeza

Instalación

Piezas de servicio

PIEZAS DE SERVICIO



CLAVE N.º	PIEZA N.º	DESCRIPCIÓN	CANTIDAD	
			51403	51413
1	S97020031	RPLACA DE CUBIERTA DE RECIRCULACIÓN, ACERO INOX. (INCLUYE TORNILLOS)	1	1
2	SR680508	CONECTOR DE CONDUCTO REDONDO DE 7" (INCLUYE TORNILLOS)	1	1
3	S97020534	CONJUNTO DE CLAPETA DE 3¼" X 10" (INCLUYE TORNILLOS)	1	1
4	S97020412	CONDENSADOR	2	2
5	S97020842	MONTAJE DEL VENTILADOR ROTACIÓN A DERECHA (INCL. N.º 4, N.º 6 Y FERRERIA DE MONTAJE)	1	1
6	SR99420635	CLIP DE LA HÉLICE	1	1
7	S97020204-002	FILTRO DE GRASA - HÍBRIDO - TYPO C1 (JUEGO DE 2)	1	
	S97020204-003	FILTRO DE GRASA - HÍBRIDO - TYPO D1 (JUEGO DE 2)		1
8	S97020843	MONTAJE DEL VENTILADOR ROTACIÓN A IZQUIERDA (INCL. N.º 4, N.º 6 Y FERRERIA DE MONTAJE)	1	1
9	S97020797	AUTOTRANSFORMADOR (INCLUYE TORNILLOS)	1	1
10	S97020444	MÓDULO DE LED (JUEGO DE 2)	1	1
11	S97020438	CONTROL CON PANTALLA DE CRISTAL LÍQUIDO (INCLUYE TORNILLOS)	1	1
12	S97020445	TRANSFORMADOR 24 V 18 VA (INCLUYE TORNILLOS)	1	1
*	S97020796	HARNÉS DE HILOS CON AUTOTRANSFORMADOR Y FUSIBLE	1	1
*	S97020360	BOLSA DE PIEZAS, INCLUYE: 4 TORNILLOS PARA METAL N.º 8-18 X 1/2", 6 TORNILLOS DE CABEZA REDONDA PARA MADERA N.º 8 X 9/16", 6 TORNILLOS EMBUTIDOS N.º 8 X 1/2", 4 ARANDELAS	1	1
*	S97020466	FILTRO DE RECIRCULACIÓN - TYPO Xc (JUEGO DE 2) (INST. SIN CONDUCTOS ÚNICAMENTE)	1	
*	S97020467	FILTRO DE RECIRCULACIÓN - TYPO Xd (JUEGO DE 2) (INST. SIN CONDUCTOS ÚNICAMENTE)		1
*	S99527587	JUEGO DE SUJETADORES PARA FILTROS DE CARBÓN – INCLUYE 4 SUJETADORES	1	1
*	S97020470	EQUIPO PARA FÁCIL INSTALACIÓN (INCLUYE TORNILLOS)	1	1

Pida piezas de reposición por su PIEZA NO. – no por su CLAVE N.º

* No ilustrado

REPUESTOS Y REPARACIONES

Para que el aparato esté en buenas condiciones, use sólo repuestos genuinos del fabricante únicamente. Estas piezas se han diseñado especialmente para cada unidad y se han fabricado conforme a las normas de certificación aplicables y un elevado nivel de seguridad. El uso de repuestos de otros fabricantes podría causar daños graves y reducir radicalmente el desempeño de la unidad, causando así fallas prematuras. El fabricante también aconseja ponerse en contacto con un taller de reparación homologado por el fabricante para todos los repuestos y reparaciones.

ACUERDOS DE PROTECCIÓN MAESTROS

Felicitaciones por haber realizado una compra inteligente. Su nuevo producto Kenmore® está diseñado y fabricado para ofrecer años de funcionamiento confiable. Pero como todo producto, es posible que requiera mantenimiento preventivo o reparaciones periódicamente. Es entonces cuando tener un Acuerdo Maestro de Protección le puede ahorrar dinero y molestias.

El Acuerdo Maestro de Protección también le ayuda a extender la vida útil de su nuevo producto. Esto es lo que incluye el Acuerdo*:

- ✓ **Las piezas y la mano de obra** necesarias para ayudar a mantener los productos funcionando adecuadamente bajo condiciones normales de uso; no sólo los defectos. Nuestra cobertura va más allá de la garantía del producto. No se excluyen de la cobertura los deducibles ni los fallos de funcionamiento: una protección verdadera.
- ✓ **Servicio experto** por una fuerza laboral de más de 10,000 técnicos de servicio autorizados de Sears, lo cual significa que alguien en quien usted puede confiar trabajará en su producto.
- ✓ **Llamadas de servicio ilimitadas y servicio en todo el país**, tan seguido como nos requiera, siempre que nos requiera.
- ✓ **Garantía a su entera satisfacción** – reemplazo de su producto cubierto si éste falla cuatro o más veces en un plazo de 12 meses.
- ✓ **Reemplazo de su producto** cubierto si éste no puede ser arreglado.
- ✓ **Revisión de mantenimiento preventivo anual** a petición suya – sin cargo adicional.
- ✓ **Asistencia rápida por teléfono** — nosotros le llamamos **Resolución Rápida** — asistencia telefónica de un representante de Sears para todos los productos. Piense en nosotros como un “manual del propietario hablante”.
- ✓ **Protección contra sobrecargas eléctricas** ante daños ocasionados por fluctuaciones de la corriente.
- ✓ **\$250 anuales en Protección** contra la pérdida de alimentos por cualquier desperdicio de alimentos que sea resultado del fallo mecánico de cualquier refrigerador o congelador cubierto.
- ✓ **Reembolso por alquiler** si la reparación de su producto cubierto toma más tiempo del estipulado.
- ✓ **10% de descuento** del precio normal en todo servicio de reparaciones no cubierto y en las piezas instaladas relacionadas.

Una vez que compre el Acuerdo, todo lo que necesita hacer es una simple llamada para programar el servicio. Puede llamar a cualquier hora del día o de la noche, o puede programar en línea una cita de servicio.

El Acuerdo Maestro de Protección es una compra exenta de riesgos. Si cancela por algún motivo durante el periodo de garantía del producto, le proporcionaremos un reembolso total o bien un reembolso prorrateado una vez que venza el periodo de garantía del producto. ¡Adquiera el Acuerdo Maestro de Protección hoy mismo!

Aplican algunas limitaciones y exclusiones. Para obtener precios e información adicional en los Estados Unidos llame al 1-800-827-6655*.

La cobertura en Canadá varía en algunos artículos. Para obtener los detalles completos comuníquese a Sears Canadá en el 1-800-361-6665.

Servicio de instalación de Sears

Si desea la instalación profesional de Sears en electrodomésticos, abridores de puertas de cochera, calentadores de agua u otros aparatos domésticos importantes en Estados Unidos o Canadá llame al teléfono 1-800-4-MY-HOME®.

Garantía

Seguridad

Operación

Limpieza

Instalación

Piezas de servicio

Get it fixed, at your home or ours!

Your Home

For troubleshooting, product manuals and expert advice:



www.managemylife.com

For repair – **in your home** – of **all** major brand appliances, lawn and garden equipment, or heating and cooling systems, **no matter who made it, no matter who sold it!**

For the replacement parts, accessories and owner's manuals that you need to do-it-yourself.

For Sears professional installation of home appliances and items like garage door openers and water heaters.

1-800-4-MY-HOME[®] (1-800-469-4663)

Call anytime, day or night (U.S.A. and Canada)

www.sears.com www.sears.ca

Our Home

For repair of carry-in items like vacuums, lawn equipment, and electronics, call anytime for the location of your nearest

Sears Parts & Repair Service Center

1-800-488-1222 (U.S.A.)

www.sears.com

1-800-469-4663 (Canada)

www.sears.ca

To purchase a protection agreement on a product serviced by Sears:

1-800-827-6655 (U.S.A.)

1-800-361-6665 (Canada)

Para pedir servicio de reparación a domicilio, y para ordenar piezas:

1-888-SU-HOGAR[®]

(1-888-784-6427)

www.sears.com

Au Canada pour service en français:

1-800-LE-FOYER^{MC}

(1-800-533-6937)

www.sears.ca

The Sears logo, featuring the word "Sears" in a large, stylized, serif font with a shadow effect.

