

Installation Guide

Viking Range, LLC

111 Front Street

Greenwood, Mississippi 38930 USA

(662) 455-1200

For product information,

call 1-888-845-4641.

Professional & Designer Oven Accessory
Flush Mount Kit

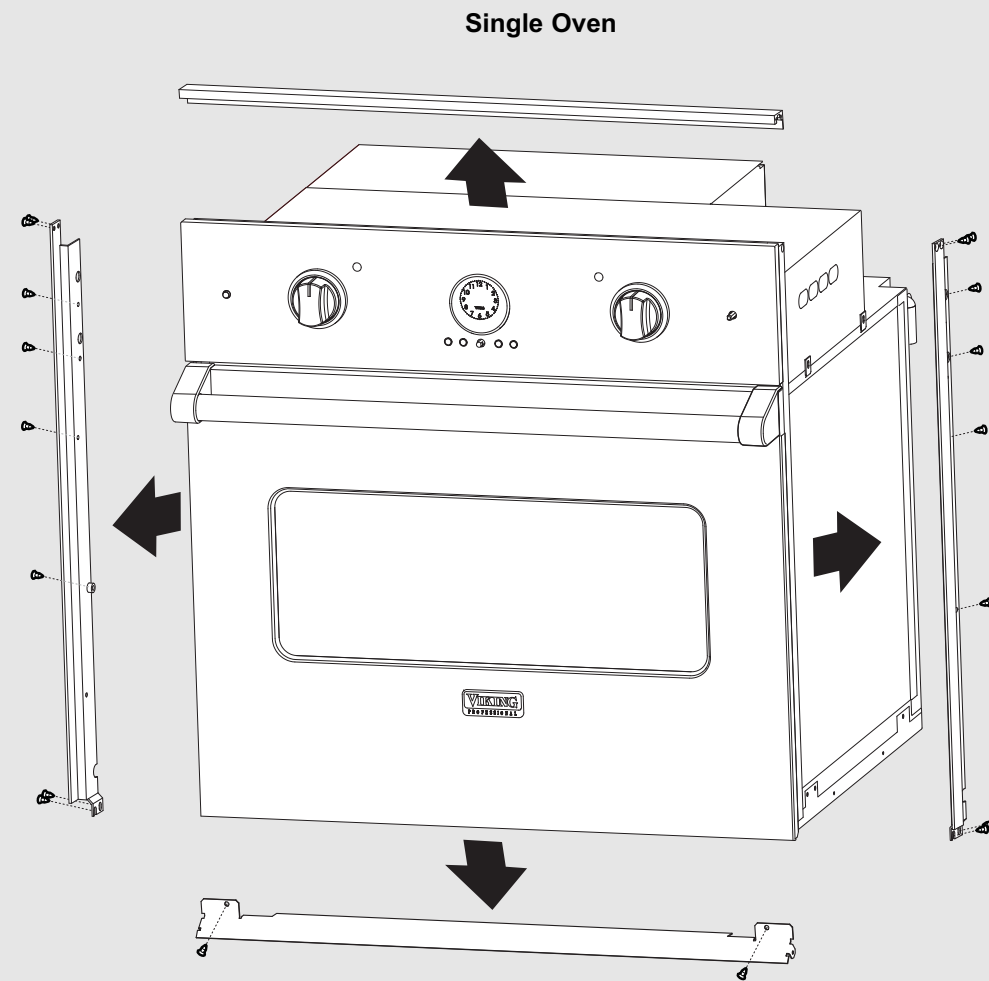


Removing Existing Trim

Remove the existing side trim pieces from the oven. There should be one trim piece on each side of the oven.

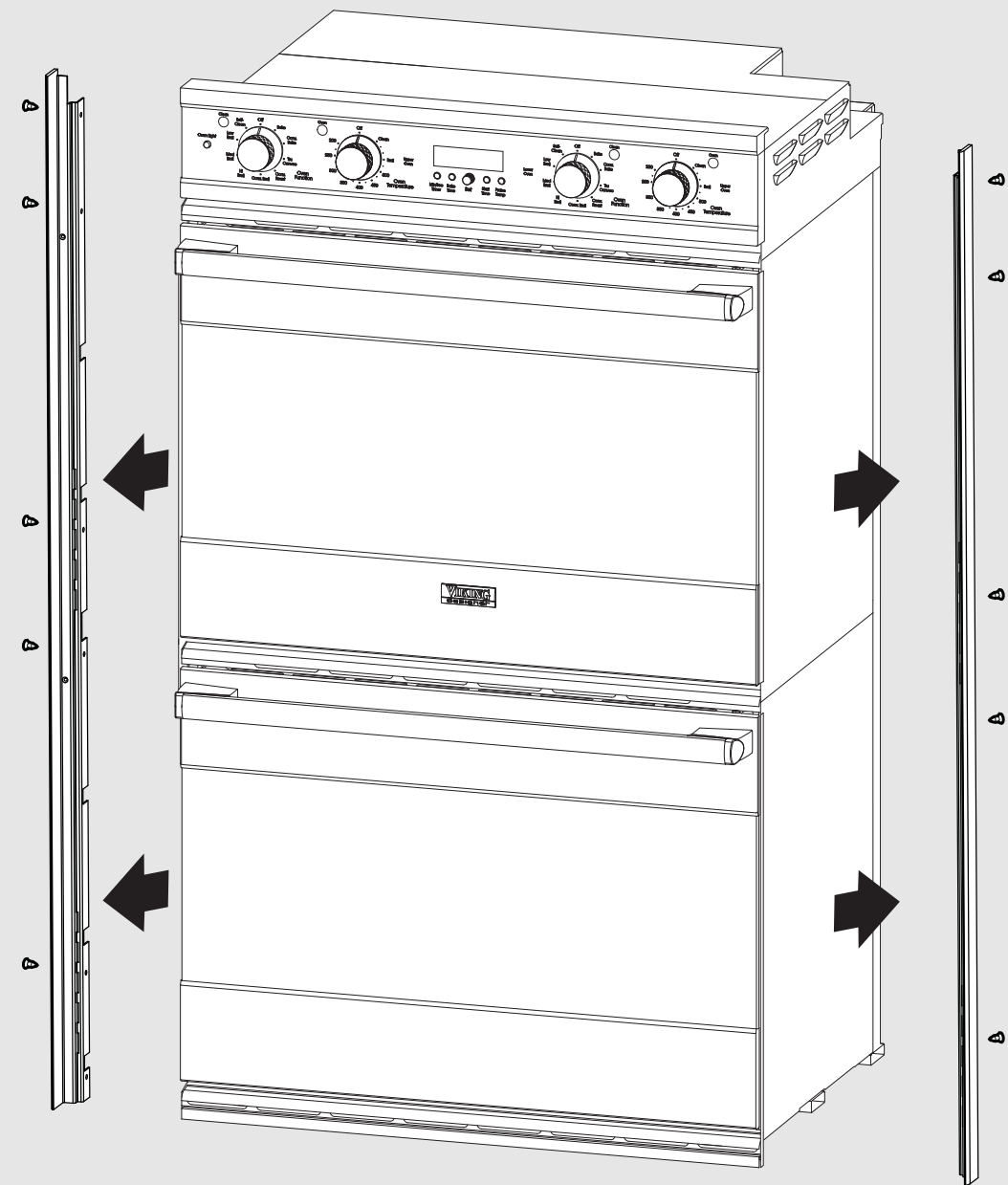
For Professional ovens, there will be a trim piece at the top and bottom of the oven that will need to be removed. Also, on the Professional ovens, the door will need to be removed prior to removing the lower vent trim and putting on the new trim.

NOTE: Keep the screws that are left after removing the existing side trim pieces. These screws will be used to install the flush mount accessory trim pieces.



Removing Existing Trim

Double Oven



Installing Flush Mount Trim

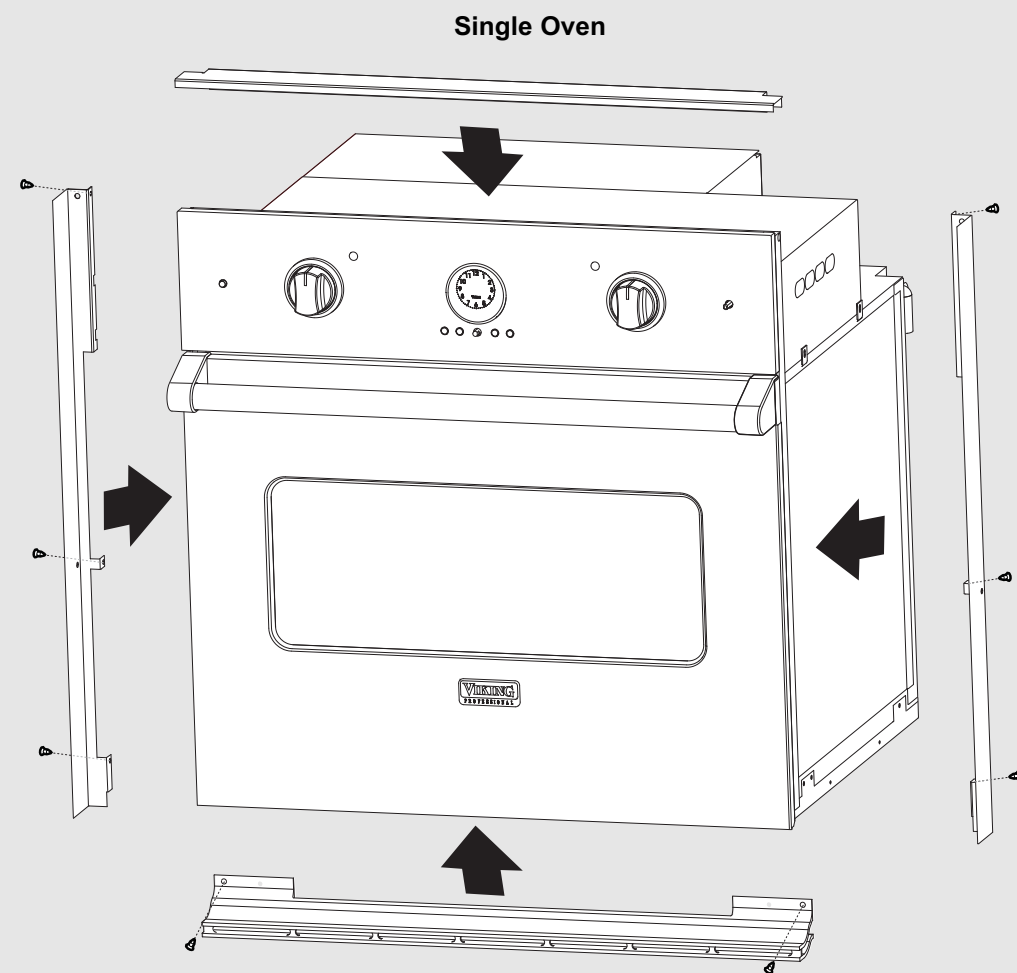
After removing the existing side pieces, install the flush mount trim pieces to the oven.

1. Remove the protective plastic from the flush mount trim pieces.
2. Install the two flush mount trim pieces to the oven (see diagram).
3. For Professional ovens, install the top and bottom trim pieces (see diagram).

NOTE: Only Professional model ovens will require a top and bottom flush mount trim piece.

NOTE: There will be a designated right and left hand side flush mount trim piece. Install the corresponding trim piece on the correct side, as they are not interchangeable.

4. After installing the flush mount trim pieces, the oven can be installed in the cutout.



Installing Flush Mount Trim

Double Oven

