

**FOR YOUR SAFETY:** Read these instructions carefully before operating the unit.

**POUR VOTRE SÉCURITÉ:** Lire attentivement ces instructions avant d'utiliser l'appareil.

**PARA SU SEGURIDAD:** Lea y observe todas las reglas de seguridad y las instrucciones de operación antes de usar este producto.

# *Simplicity*<sup>®</sup>

- OWNER'S USE AND CARE GUIDE
  - GUIDE D'UTILISATION ET D'ENTRETIEN
  - GUÍA DE UTILIZACIÓN Y CUIDADO PARA EL PROPIETARIO
- COMPACT ELECTRIC RANGE  
CUISINIÈRE ÉLECTRIQUE COMPACTE  
ESTUFAS ELECTRICAS COMPACTAS**

**MODEL • MODÈLE • MODELO  
SER241WC**

2016.04.18

# Simplicity.

TO OBTAIN WARRANTY SERVICE YOU MUST PROVIDE A VALID PROOF OF PURCHASE. PLEASE STAPLE YOUR RECEIPT TO THIS PAGE FOR FUTURE REFERENCE.

POUR OBTENIR LE SERVICE SUR GARANTIE, VOUS DEVEZ FOURNIR UNE PREUVE D'ACHAT VALIDE. VEUILLEZ AGRAFER VOTRE REÇU À CETTE PAGE POUR RÉFÉRENCE FUTURE.

PARA OBTENER SERVICIO DE GARANTÍA, DEBE PROVEER UN RECIBO ORIGINAL. POR FAVOR ENGRAPE SU RECIBO A ÉSTA PÁGINA EN CASO QUE NECESITE HACER UN RECLAMO.

## CONTENTS / TABLE DES MATIÈRES / ÍNDICE

### COMPACT ELECTRIC RANGE

Owner's Use and Care Guide .....1-23

- Welcome
- Important Safety Information
- Operation Instructions
- Care and Maintenance
- Installation Instructions
- Troubleshooting
- Warranty

### CUISINIÈRE ÉLECTRIQUE COMPACTE

Guide d'utilisation et d'entretien.....24-50

- Bienvenue
- Renseignements importants sur la sécurité
- Directives d'utilisation
- Soins et entretien
- Instructions d'installation
- Guide de dépannage
- Garantie

### ESTUFAS ELECTRICAS COMPACTAS

Guía de utilización y cuidado para el propietario..51-74

- Bienvenido
- Instrucciones de seguridad importantes
- Operación
- Cuidado y mantenimiento
- Instrucciones de instalación
- Diagnósticos de problemas
- Garantía



### CAUTION:

Read and follow all safety rules and operating instructions before first use of this product.



### AVERTISSEMENT :

Veillez lire attentivement les consignes de sécurité et les instructions d'utilisation avant l'utilisation initiale de ce produit.



### PRECAUCIÓN:

Lea y observe todas las reglas de seguridad y las instrucciones de operación antes de usar este producto por la primera vez.

# WELCOME

---

Welcome to the Danby family. We are proud of our quality products, and we believe in dependable service, like you will find in this Owner's Use and Care Guide, and like you will receive from our friendly customer service department. Best of all, you will experience these values each and every time you use your Danby appliance. That is important, because your new appliance will be a part of your family for a long time.

**Note the information below; you will need this information to obtain service under warranty. To receive service, you must provide the original receipt.**

Model No: \_\_\_\_\_

Serial No: \_\_\_\_\_

Date Purchased: \_\_\_\_\_

## NEED HELP?

Before you call for service, here are a few things you can do to help us serve you better:

**Read this Owner's Use and Care Guide:**

It contains instructions to help you use and maintain your appliance properly.

**If you received a damaged appliance:**

Immediately contact the retailer (or builder) that sold you the appliance.

**Save time and money:**

Check the Troubleshooting section at the end of the guide before calling. This section helps you solve common problems that may occur.

If you do need service, you can relax, knowing help is only a phone call away.



Tel: 1-800-26-**Danby**  
(1-800-263-2629)



## WARNING

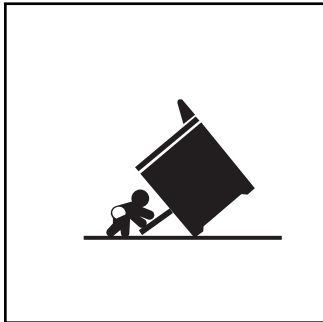
**Read all safety instructions before using the product. Failure to follow these instructions may result in fire, electric shock, serious injury or death.**



# IMPORTANT SAFETY INFORMATION

## READ ALL INSTRUCTIONS BEFORE USING

### ANTI-TIP DEVICE



### WARNING

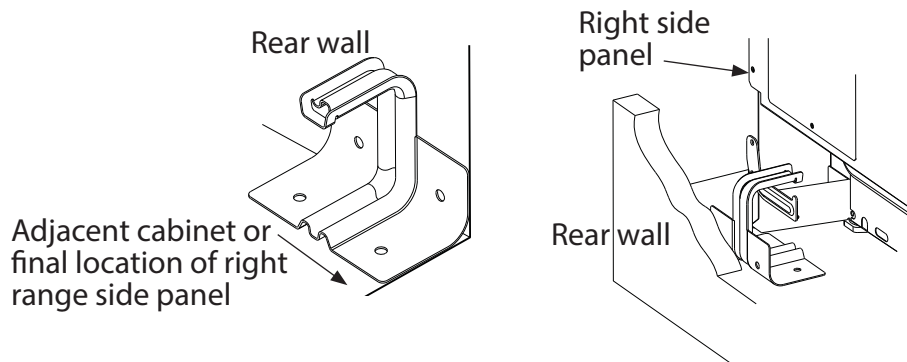
#### Tip-Over Hazard

A child or adult can tip the range and be killed. Verify the anti-tip bracket has been properly installed and engaged to the floor or wall. Ensure the anti-tip bracket is re-engaged when the range is moved by sliding the anti-tip arm just under the bracket. Do not operate the range without the anti-tip bracket in place and engaged. Failure to follow these instructions can result in death or serious burns to children or adults.

To reduce the risk of tipping the range, the range must be secured by a properly installed anti-tip bracket. See installation instructions for complete details before attempting to install.

#### For Freestanding Ranges:

To check if the bracket is installed and engaged properly, look underneath the range to see that the anti-tip arm attached to the side panel is engaged in the bracket. On some models, the storage drawer or kick panel can be removed for easier inspection. If visual inspection is not possible, slide the range forward, confirm the anti-tip bracket is securely attached to the floor or wall, and slide the range back so the anti-tip arm slides just under the anti-tip bracket. If the range is pulled from the wall for any reason, always repeat this procedure to verify the range is properly secured by the anti-tip bracket.



**READ AND FOLLOW THIS SAFETY INFORMATION CAREFULLY  
SAVE THESE INSTRUCTIONS**



# IMPORTANT SAFETY INFORMATION

## READ ALL INSTRUCTIONS BEFORE USING

### **WARNING**

#### GENERAL SAFETY INSTRUCTIONS

- Use this appliance for its intended purpose as described in this Owner's Manual.
- Be sure your appliance is properly installed and grounded by a qualified installer in accordance with the provided installation instructions.
- Do not attempt to repair or replace any part of your range unless it is specifically recommended in this manual. All other servicing should be referred to a qualified technician.
- Before performing any service, unplug the range or disconnect the power supply at the household distribution panel by removing the fuse or switching off the circuit breaker.
- Do not leave children alone - children should not be left alone or unattended in an area where an appliance is in use. They should never be allowed to climb, sit or stand on any part of the appliance.
- **CAUTION:** Do not store items of interest to children above a range or on the backguard of a range - children climbing on the range to reach items could be seriously injured.
- Use only dry potholders - moist or damp pot holders on hot surfaces may result in burns from steam. Do not let the potholders touch hot heating areas. Do not use a towel or other bulky cloth in place of pot holders.
- Never use your appliance for warming or heating the room.
- Do not touch surface elements, areas near the elements or interior surfaces of the oven. These surfaces may be hot enough to burn even though they are dark in color. During and after use, do not touch, or let clothing or other flammable materials contact the surface elements, areas nearby the surface units or any interior area of the oven; allow sufficient time for cooling first. Other surfaces of the appliance may become hot enough to cause burns. Potentially hot surfaces include the cooktop, areas facing the cooktop, oven vent opening, surfaces near the opening and crevices around the oven door.
- Do not heat unopened food containers. Pressure could build up and the container could burst, causing an injury.
- Do not use aluminum foil to line drip pans or anywhere in the oven, except as described in this manual. Foil can trap heat or melt, resulting in damage to the product and a shock or fire hazard.
- Avoid scratching or impacting glass doors, cook tops or control panels. Doing so may lead to glass breakage. Do not cook on a product with broken glass. Shock, fire or cuts may occur.
- Cook meat and poultry thoroughly - meat to at least an internal temperature of 160°F and poultry to at least an internal temperature of 180°F. Cooking to these temperatures usually protects against foodborne illness.

### **WARNING**

#### KEEP FLAMMABLE MATERIALS AWAY FROM THE RANGE

- Do not store or use flammable materials in an oven or near the cooktop, including paper, plastic, pot holders, linens, wall coverings, curtains, drapes and gasoline or other flammable vapors and liquids.
- Never wear loose-fitting or hanging garments while using the appliance. These garments may ignite if they contact hot surfaces causing severe burns.
- Do not let cooking grease or other flammable materials accumulate in or near the range. Grease in the oven or on the cooktop may ignite.
- Clean ventilating hoods frequently. Grease should not be allowed to accumulate on the hood or filter.

**READ AND FOLLOW THIS SAFETY INFORMATION CAREFULLY  
SAVE THESE INSTRUCTIONS**



# IMPORTANT SAFETY INFORMATION

## READ ALL INSTRUCTIONS BEFORE USING

### WARNING

#### IN THE EVENT OF A FIRE, TAKE THE FOLLOWING STEPS TO PREVENT THE FIRE FROM SPREADING

- Do not use water on grease fires. Never pick up a flaming pan. Turn the controls off. Smother a flaming pan on a surface element by covering the pan completely with a well-fitting lid, cookie sheet or flat tray. Use a multi-purpose dry chemical or foam-type fire extinguisher.
- If there is a fire in the oven during baking, smother the fire by closing the oven door and turning the oven off, or by using a multi-purpose dry chemical or foam-type fire extinguisher.
- If there is a fire in the oven during self-clean, turn the oven off and wait for the fire to go out. **Do not force the door open.** Introduction of fresh air at self-clean temperatures may lead to a burst of flame from the oven. Failure to follow this instruction may result in severe burns.

### WARNING

#### COOKTOP SAFETY INSTRUCTIONS

- Never leave the range unattended while a surface element is ON. Boil overs cause smoking and greasy spillovers that may catch on fire.
- Never leave oil unattended while frying. If allowed to heat beyond its smoking point, oil may ignite resulting in fire that may spread to surrounding cabinets. Use a deep fat thermometer whenever possible to monitor oil temperature.
- To avoid oil spillover and fire, use a minimum amount of oil when shallow pan-frying and avoid cooking frozen foods with excessive amounts of ice.
- Use proper pan size - select cookware having flat bottoms large enough to cover the surface heating element. The use of undersized cookware will expose a portion of the element to direct contact and may result in ignition of clothing. Proper relationship of cookware to surface heating element will also improve efficiency.
- Only certain types of glass, glass/ceramic, earthenware or other glazed containers are suitable for cooktop service; others may break because of the sudden change in temperature.
- To minimize the possibility of burns, ignition of flammable materials and spillage, the handle of a container should be turned toward the center of the range without extending over nearby heating elements.
- When preparing flaming foods under a hood, turn the fan on.
- If power is lost to an electric cooktop while a surface element is ON, the surface element will turn back on as soon as power is restored. In the event of power loss, failure to turn all surface element knobs to the OFF position may result in ignition of items on or near the cooktop, leading to serious injury or death.

**READ AND FOLLOW THIS SAFETY INFORMATION CAREFULLY  
SAVE THESE INSTRUCTIONS**



# IMPORTANT SAFETY INFORMATION

## READ ALL INSTRUCTIONS BEFORE USING

### **WARNING**

#### **RADIANT COOKTOP SAFETY INSTRUCTIONS (Some models)**

- Use care when touching the cooktop. The glass surface of the cooktop will retain heat after the controls have been turned off.
- Do not cook on a broken cooktop. If glass cooktop should break, cleaning solutions and spillovers may penetrate the broken cooktop and create a risk of electric shock. Contact a qualified technician immediately.
- Avoid scratching the glass cooktop. The cooktop can be scratched with items such as knives, sharp instruments, rings or other jewelry, and rivets on clothing.
- Do not place or store items that can melt or catch fire on the glass cooktop, even when it is not being used. If the cooktop is inadvertently turned on, they may ignite. Heat from the cooktop or oven vent after it has been turned off may also cause them to ignite.
- Use a ceramic cooktop cleaner and a ceramic cooktop cleaning pad to clean the cooktop. Wait until the cooktop cools and the indicator light goes out before cleaning. A wet sponge or cloth on a hot surface can cause steam burns. Some cleaners can produce noxious fumes if applied to a hot surface. Note: Sugar spills are an exception. They should be scraped off while still hot using an oven mitt and a scraper. See the Cleaning the glass cooktop section for detailed instructions.
- Read and follow all instructions and warnings on the cleaning cream label.

### **WARNING**

#### **COIL COOKTOP SAFETY INSTRUCTIONS (Some models)**

- Do not immerse or soak the removable surface cooking elements. Do not put them in a dishwasher. Do not self-clean the surface cooking elements in the oven. Doing so may cause them to fail, resulting in a burn hazard or fire hazard.
- To avoid the possibility of a burn or an electric shock, always be certain that the controls for all surface elements are at the OFF position, and that all coils are cool before attempting to lift or remove a coil cooking element.
- Be sure the drip pans are not covered and are in place. Their absence during cooking could damage range parts and wiring.
- Do not use aluminum foil to line drip pans. Foil can trap heat or melt, resulting in damage to the product and a shock or fire hazard.

**READ AND FOLLOW THIS SAFETY INFORMATION CAREFULLY  
SAVE THESE INSTRUCTIONS**



# IMPORTANT SAFETY INFORMATION

## READ ALL INSTRUCTIONS BEFORE USING

### **WARNING**

#### OVEN SAFETY INSTRUCTIONS

- Stand away from the range when opening the oven door. Hot air or steam which escapes can cause burns to hands, face and/or eyes.
- Keep the oven vent unobstructed.
- Keep the oven free from grease build-up. Grease in the oven may ignite.
- Place oven racks in desired location while oven is cool. If rack must be moved while oven is hot, do not let potholder contact the hot heating element in the oven.
- When using cooking or roasting bags in the oven, follow the manufacturer's directions.
- Pull the oven rack to the stop-lock position when loading and unloading food from the oven. This helps prevent burns from touching hot surfaces of the door and oven walls.
- Do not leave items such as paper, cooking utensils or food in the oven when not in use. Items stored in an oven can ignite.
- Do not use aluminum foil to line the oven bottom. Foil can trap heat or melt, resulting in damage to the product and a shock hazard or fire hazard.

### **WARNING**

#### WARMING DRAWER/ LOWER OVEN DRAWER SAFETY INSTRUCTIONS (Some Models)

- The purpose of the warming drawer is to hold hot cooked foods at serving temperature. Bacteria will grow in food while it is below 140 °F. Do not put cold food in warming drawer. Do not heat food for more than 2 hours. Failure to follow these instructions may result in foodborne illness.
- Do not leave paper products, plastics, canned food or combustible materials in the drawer. They may ignite.
- Do not touch the heating element or the interior surface of the drawer. These surfaces may be hot enough to cause burns.
- Use care when opening the drawer. Open the drawer a crack and let hot air or steam escape before removing or replacing food. Hot air or steam that escapes can cause burns to hands, face and/ or eyes.
- Do not use aluminum foil to line the lower drawer. The foil will trap heat below, and upset the performance of the oven. Foil can melt and permanently damage the drawer bottoms.

**READ AND FOLLOW THIS SAFETY INFORMATION CAREFULLY  
SAVE THESE INSTRUCTIONS**

# OPERATION INSTRUCTIONS

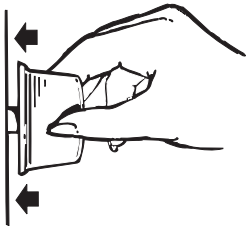
## USING THE SURFACE COOKING ELEMENTS

Throughout this manual, features and appearance may vary from your model.

### **SURFACE COOKING CONTROLS**

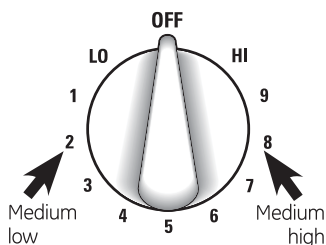
- Your surface elements and controls are designed to give you a variety of heat settings for surface element cooking.
- At both LO and HI positions, there is a slight niche, so the control clicks at those positions. Hi marks the highest setting; LO marks the lowest setting.
- In a quiet kitchen, you may hear slight clicking sounds during cooking, indicating heat settings selected are being maintained.
- Switching heats to higher settings always shows a quicker change in temperature than switching to lower settings.

### **HOW TO SET THE CONTROLS**



1. Push the control knob in.
2. Turn either clockwise or counterclockwise to the desired heat setting.
  - The control must be pushed in to set only from the OFF position.
  - When the control is in any position other than OFF, you can turn it without pushing in.
  - Be sure you turn the control to OFF when you finish cooking. An indicator light will glow when ANY surface element is on.

### **HEAT SETTING GUIDE**



- HI - Quick start for cooking; bring water to a boil.
- MEDIUM HIGH - Fast fry, pan broil; maintain a fast boil on a large amount of food.
- MED - Sauté and brown; maintain a slow boil on a large amount of food.
- MEDIUM LOW - Cereal; maintain the serving temperature of most foods.
- LO - Cook after starting at HI; cook with little water in in a covered pan. Use to steam rice.

#### **NOTE:**

1. At HI or MEDIUM HIGH, never leave food unattended. Boil overs cause smoking; greasy spillovers may catch fire.
2. At LO, melt chocolate, butter on a small element.

### **COOKING TIPS**

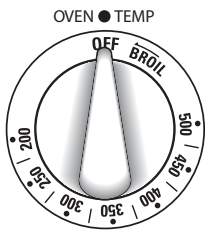
- Use medium- or heavyweight cookware. Aluminum cookware conducts heat faster than other metals. Cast-iron and coated cast-iron cookware is slow to absorb heat., but generally cooks evenly at low or medium heat settings. Steel pans may cook unevenly if not combined with other metals.
- Do not overfill cookware with fat that may spill over when adding food. Frosty foods bubble vigorously. Watch foods frying at high temperatures. Keep range and hood clean from accumulated grease.
- To conserve the most cooking energy, pans should be flat on the bottom, have straight sides and tight-fitting lids. Match the size of the saucepan to the size of the surface element. A pan that extends more than an inch beyond the edge of the drip pan, traps heat, which causes "crazing" (fine hairline cracks) on porcelain, and discoloration ranging from blue to dark gray on chrome drip pans.

# OPERATION INSTRUCTIONS

## USING THE OVEN

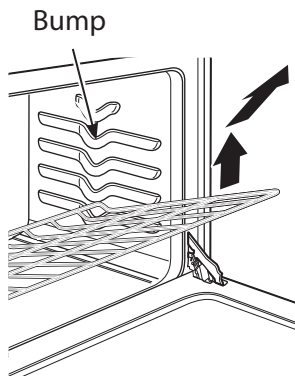
The OVEN TEMP knob is located on the control panel on the front of the range.

### OVEN TEMPERATURE CONTROLS



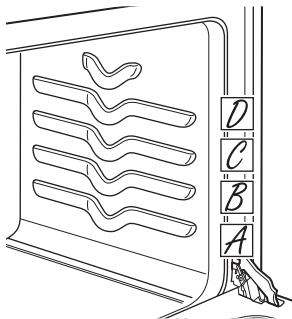
- To use the oven, simply turn the knob to the desired cooking temperatures, which are marked in 25°F increments on the dial. **OVEN TEMP** maintains the temperature you set, from **200°F** to **BROIL**.
- The Oven Cycling Light glows until the oven reaches your selected temperature, then goes off and on with the oven unit(s) during cooking.

### OVEN SHELVES



- The shelves are designed with stop-locks so when placed correctly on the shelf supports, they will stop before coming completely out of the oven and will not tilt when you are removing food from them or placing food on them.
- When placing cookware on a shelf, pull the shelf out to the bump on the shelf support. Place the cookware on the shelf, then slide the shelf back into the oven. This will eliminate reaching into the hot oven.
- **To remove the shelves from the oven**, pull them toward you, tilt front end upward and pull them out.
- **To replace**, place the shelf on the shelf support with stop-locks (curved extension of shelf) facing up and toward the back of the oven. Tilt up the front and push the shelf toward the back of the oven until it goes past the bump on the shelf support. Then lower the front of the shelf and push it all the way back.

### OVEN SHELF POSITIONS



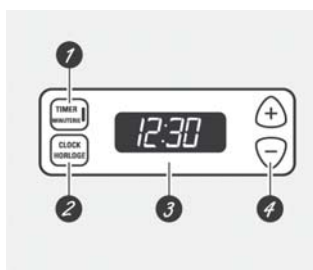
- The oven has four shelf supports - A (bottom), B, C, and D (top).
- Shelf positions for cooking are suggested on Baking and Roasting pages.

The oven has 4 shelf positions.

### USE OF ALUMINUM FOIL

- Do not use aluminum foil to line oven bottoms. The foil will trap heat below and upset the performance of the oven. Foil can melt and permanently damage the oven bottom. Damage from improper use of aluminum foil is not covered by the product warranty.
- Foil may be used to catch spills by placing a sheet on a lower rack, several inches below the food. Do not use more foil than necessary, and never entirely cover an oven rack this aluminum foil. Keep foil at least 1 1/2" from oven walls to prevent poor heat circulation.

### CLOCK AND TIMER (some models)



1. **Timer Pad:** Touch this pad to select the timer feature
2. **Clock Pad:** Touch this pad before setting the clock.
3. **Display:** Shows the time of day and the time set for the timer, cook time or start time.
4. **Set +/- Pads:** These pads allow you to set the clock and timer.

Appearance may vary.

# OPERATION INSTRUCTIONS

## USING THE OVEN FOR BAKING OR ROASTING

To avoid possible burns, place the shelves in the desired position before you turn the oven on.

### **HOW TO SET YOUR OVEN FOR BAKING OR ROASTING**

1. Position the shelf or shelves in the oven. If cooking on two shelves at the same time, stagger the pans for best heat circulation.
2. Close oven door. Turn OVEN TEMP knob clockwise to desired temperature. Preheat oven for at least 10 minutes if preheating is necessary.
3. Place food in oven on center of shelf. Allow at least 2 inches between edge of bake ware and oven wall or adjacent cookware.
4. Check the food to see if it is done at the minimum time on the recipe. Cook longer if necessary. Turn OVEN TEMP knob to OFF and remove the food.

### **SHELF POSITIONS**

- Most baking is done on the second shelf position (B) or the third shelf position (C) from the bottom.
- When baking 3 or 4 items, use two shelves positioned on the second and fourth sets of supports (B & D) from the bottom of the oven.
- Bake angel food cakes on the first shelf position (A) from the bottom of the oven.
- Roasting is usually done on the bottom shelf position (A).

### **PREHEATING**

- Preheating the oven takes about 10 minutes.
- Preheat the oven only when necessary, usually for baking.
- Most roasts will cook satisfactorily without preheating.
- If you find preheating is necessary, keep an eye on the Oven Cycle light and put food in the oven promptly after the light goes out. The oven cycle light will then cycle on and off with the oven thermostat as it cycles to maintain the oven temperature.

### **BAKING AND ROASTING TIPS**

- Follow a tested recipe and measure the ingredients carefully. If you are using a package mix, follow label directions.
- Do not open the oven door during a baking operation - heat will be lost and the baking time might need to be extended. This could cause poor baking results. If you must open the door, open it partially - only 3 or 4 inches - and close it as quickly as possible.
- Roasting is cooking by dry heat. Tender meat or poultry can be roasted uncovered in your oven. Roasting temperatures, which should be low and steady, keep spattering to a minimum. When roasting, it is not necessary to sear, baste, cover, or add water to your meat.
- Frozen roasts of beef, pork, lamb, etc., can be started without thawing, but allow 10 to 25 minutes of additional time per pound of meat (10 minutes per pound for roasts under 5 pounds, more time for larger roasts).
- Thaw most frozen poultry before roasting to ensure even cooking. Some commercial frozen poultry can be cooked successfully without thawing. Follow directions given on package label.

# OPERATION INSTRUCTIONS

## USING THE CLOCK, TIMER AND CONVENIENCE OUTLET (some models)

### TO SET THE CLOCK

1. Touch CLOCK pad and hold for 3 seconds, until the display starts flashing.
2. Touch the + or – pads until you reach the desired time.
3. When you let go of the + or – pad the time will be set.

### TO SET THE TIMER

1. Touch TIMER pad and hold until the display starts flashing.
2. Touch the + or – pads until the amount of time you want shows in the display. The maximum time that can be entered in minutes is 59 (0:59). Times more than 59 minutes (0:59+) should be changed to hours and minutes (i.e.1:05, 1 hour, 5 minutes). The maximum time that can be set is 9 hours and 50 minutes (9:50).
3. When you let go of the + or – pad, the time will be set. This is indicated by the green light beside the TIMER pad no longer flashing.
4. When the timer reaches :00, the control will beep. Touch the TIMER pad to end timing.

*If you make a mistake, touch the TIMER pad and begin again.*

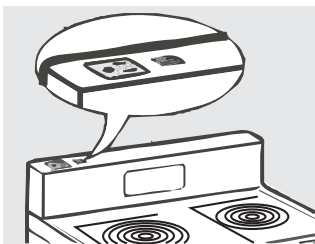
### TO RESET THE TIMER

If the display is still showing the time remaining, you may change it by touching the + or – until the time you want appears in the display.

### TO CANCEL THE TIMER

Touch the timer pad once

### CONVENIENCE OUTLET (some models)



The 120V convenience outlet located on the top of the back guard may be used to plug in small electrical appliances.

When using the outlet, be sure that the electrical cord does not rest on or near a surface unit. If the surface unit is turned on, the cord will be damaged.

To reset the circuit breaker, press the switch located near the outlet on top of the back guard.

# OPERATION INSTRUCTIONS

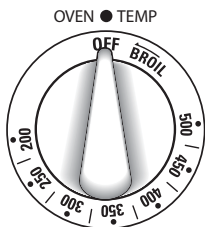
## ADJUST THE OVEN THERMOSTAT - EASY TO DO YOURSELF

You may find that your new oven cooks differently than the one it replaced. Use your new oven for a few weeks to become more familiar with it. If you still think your new oven is too hot or too cold, you can adjust the thermostat yourself.

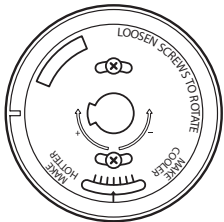
Do not use thermometers, such as those found in grocery stores, to check the temperature setting of your oven. These thermometers may vary 20-40°F.

**Note:** This adjustment will not affect the broiling temperatures. The adjustment will be retained after a power failure.

### TO ADJUST THE THERMOSTAT WITH THIS TYPE OF KNOB



Front of OVEN TEMP knob  
(knob appearance may vary)



Back of OVEN TEMP knob

1. Pull the **OVEN TEMP** knob off the range and look at the back side. To make an adjustment, loosen (approximately one turn), but do not completely remove, the two screws on the back of the knob.
2. With the back of the knob facing you, hold the outer edge of the knob with one hand and turn the front of the knob with the other hand.

**To increase** the oven temperature, move the top screw toward the right. You will hear a click for each notch you move the knob.

**To decrease** the oven temperature, move the top screw toward the left.

Each click will change the oven temperature approximately 10°F. (The range is plus or minus 60°F from the arrow.) We suggest that you make the adjustment one click from the original setting and check oven performance before making any additional adjustments.)

3. **After the adjustment is made**, retighten screws so that they are snug, but be careful not to over tighten.
4. Replace the knob, matching the flat area of the knob to the shaft, and check performance.

### THE TYPE OF MARGARINE WILL AFFECT BAKING PERFORMANCE

- Most recipes for baking have been developed using high-fat products such as butter or margarine (80% fat). If you decrease the fat, the recipe may not give the same results as with a higher fat product.
- Recipe failure can result if cakes, pies, pastries, cookies, or candies are made with low-fat spreads. The lower the fat content of a spread product, the more noticeable these differences become.
- Federal standards require products labeled “margarine” to contain at least 80% fat by weight. Low-fat spreads, on the other hand, contain less fat and more water. The high moisture content of these spreads affects the texture and flavor of baked goods. For best results with your old favorite recipes, use margarine, butter or stick spreads containing at least 70% vegetable oil.

# OPERATION INSTRUCTIONS

## USING THE OVEN FOR BROILING

Broiling may be slightly different from any previous broiling you may be acquainted with, so be sure to read this section completely.

### HOW TO SET YOUR OVEN FOR BROILING

Broiling is cooking food by intense radiant heat from the upper element in the oven. Most fish and tender cuts of meat can be broiled. Follow these steps to keep spattering and smoking to a minimum.

1. If the meat has fat or gristle around the edge, cut vertical slashes through both about 2" apart. If desired, fat may be trimmed, leaving a layer about 1/8" thick.
2. Place the meat on a broiler grid in a broiler pan designed for broiling. Always use the grid so the fat drips into the broiler pan; otherwise the juices may become hot enough to catch fire.
3. Place the shelf in position C for most broiling.
4. Close the door. **Always broil with the door closed.**
5. Turn the **OVEN TEMP** knob clockwise to **BROIL**. You will feel a slight niche at the broil position.
6. Turn food only once during cooking.
7. Turn the **OVEN TEMP** knob to **OFF**. Serve food immediately, and leave the pan outside the oven to cool during the meal for easiest cleaning.

### BROILING GUIDE

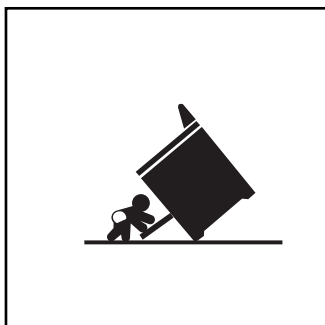
- If desired, marinate meats or chicken before broiling, or brush with barbecue sauce the last 5 to 10 minutes only.
- Frozen steaks can be broiled by positioning the oven shelf at the next lowest shelf position and increasing cooking time given in this guide 1 1/2 times per side.
- When arranging food on pan, do not let fatty edges hang over sides, because the dripping fat will soil the oven.
- If your range is connected to 208 volts, rare steaks may be broiled by preheating the broiler and positioning the oven shelf one position higher.

Food	Amount or Thickness	Shelf Position	Time in Minutes		Comments
			First Side	Second Side	
Bacon	½ lb. (about 8 thin slices)	C	3½ min.	3½ min.	Arrange in a single layer.
Ground Beef	1 lb. (4 patties) ½ to ¾" thick	C	10 min.	7 min.	Space evenly.
Beef Steaks (medium)	1" thick 1 to 1½lbs	C	9 min.	9 min.	Steaks less than 1" thick cook through before browning. Pan frying is recommended. Slash fat.
Chicken	1 whole 2 to 2½lbs., split length-wise	A	35 min.	15 min.	Reduce time about 5 to 10 minutes per side for cut-up chicken. Brush each side with melted butter. Broil skin-side-down first.
Fish	1 lb. fillets ¼ to ½" thick	C	5 min.	5 min.	Handle and turn very carefully. Brush with lemon butter before and during cooking, if desired. Preheat broiler to increase browning.

# CARE AND MAINTENANCE

Be sure electrical power is off and all surfaces are cool before cleaning any part of the range.

Proper care and cleaning are important so that your range will give you efficient and satisfactory service. Follow these directions carefully in caring for your range to assure safe and proper maintenance.



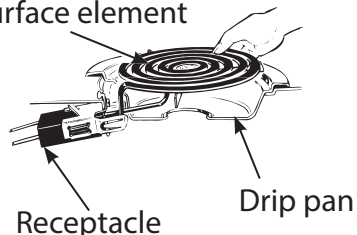
## WARNING

### Tip-Over Hazard

A child or adult can tip the range and be killed. Verify the anti-tip bracket has been properly installed and engaged to the floor or wall. Ensure the anti-tip bracket is re-engaged when the range is moved by sliding the anti-tip arm just under the bracket. Do not operate the range without the anti-tip bracket in place and engaged. Failure to follow these instructions can result in death or serious burns to children or adults.

## SURFACE ELEMENTS AND DRIP PANS

Surface element



To remove the surface unit, lift it about 1 inch above the drip pan and pull it out.



Replace the drip pan into the recess in the cooktop.

To clean the surface units, turn the control to the highest setting for a minute. The coils will burn off any soil.

### **To remove a surface element:**

- To remove the drip pans for cleaning, the surface elements must be removed first. Make sure the surface elements are cool before touching them.
- Lift the surface element about 1" above the drip pan and pull it out.
- Do not lift the surface element more than 1". If you do, it may not lie flat on the drip pan when you plug it back in.
- **NOTE:** Repeated lifting of the surface element more than 1 inch above the drip pan can permanently damage the receptacle.

### **To replace a surface element:**

- Replace the drip pan into the recess in the cooktop. Make sure the opening in the pan lines up with the receptacle.
- Insert the terminals of the surface element through the opening in the drip pan and into the receptacle.
- Guide the surface element into place, so it rests evenly.

### **To clean the drip pans:**

- Drip pans can be cleaned in the dishwasher or by hand. If you use a scouring pad, rub lightly to prevent scratching.
- **Q: Can I cover the drip pans with foil?**
- **A: No, because using foil so close to the receptacle could cause shock, fire or damage to the range.**

### **CAUTION:**

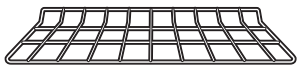
- Do not immerse the surface elements in liquids of any kind.
- Do not clean the surface units in a dishwasher.
- Do not bend the surface unit plug terminals.
- Do not attempt to clean, adjust or in any way repair the plug-in receptacle.

# CARE AND MAINTENANCE

## PORCELAIN ENAMEL COOKTOP

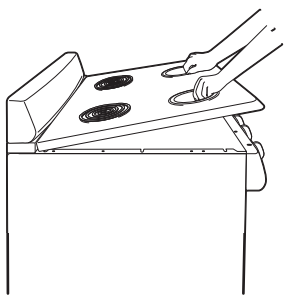
The porcelain enamel finish is sturdy, but breakable if misused. This finish is acid-resistant. However, any acidic foods spilled (such as fruit juices, tomato or vinegar) should not be permitted to remain on the finish.

## OVEN SHELVES



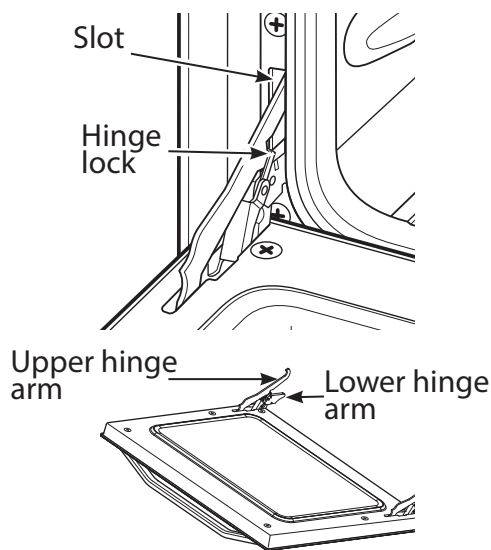
Clean the shelves with an abrasive cleanser or steel wool. After cleaning, rinse the shelves with clean water and dry with a clean cloth.

## LIFT-UP COOKTOP



- Clean the area under the cooktop often. Built-up soil, especially grease, may catch on fire.
- To make cleaning easier, the cooktop may be lifted up and propped open.
- Be sure all surface elements are turned off before raising the cooktop.
- Remove the front surface and drip pans. See the Surface Elements and Drip Pans section. Grasp the two front surface element wells and lift the cooktop up and prop it open with the prop rod provided.
- After cleaning underneath the cooktop with hot, soapy water and a clean cloth, hold the cooktop up, return the prop rod to its storage position and lower the cooktop until it snaps into position. Be careful not to pinch your fingers. Replace the two front drip pans and surface elements. See the Surface Elements and Dip Pans section.

## LIFT-OFF OVEN DOOR



The oven door is removable, but it is heavy. You may need help removing and replacing the door.

### **To remove the door:**

1. Open the door to the full open position.
2. Pull the hinge locks up over the hinge hooks on both sides.
3. Grasp the door firmly on each side, lift slightly and pull it straight out and away from the oven.

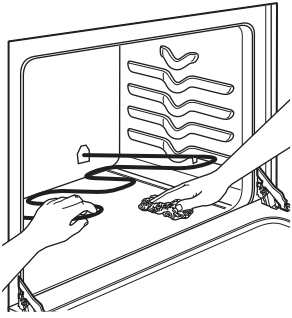
### **To replace the door:**

1. Firmly grasp both sides of the door at the top.
2. Insert and seat the upper and lower hinge arms into the oven slots.
3. Push the hinge locks down from the hinge hooks.
4. Close the oven door and make sure it is working properly. If it is not working properly, remove and replace it following the above steps.

**DO NOT ATTEMPT TO CLOSE THE DOOR UNTIL THIS STEP IS COMPLETE. THE HINGE OR DOOR COULD BE DAMAGED.**

# CARE AND MAINTENANCE

## OVEN HEATING ELEMENTS



- Do not clean the bake element or the broil element. Any soil will burn off when the elements are heated.
- The bake element can be lifted gently to clean the oven floor. Do not attempt to clean any oven surface when any burner element is on. Always wear protective hand-wear when cleaning interior oven surfaces or surfaces near heating elements. If spillovers, residue or ash accumulate around the bake element, gently wipe around the element with warm water.

## GLASS WINDOW (on some models)

- To clean the outside glass finish, use a glass cleaner. Rinse and polish with a dry cloth. Avoid scratching or impacting the glass window. Doing so may cause the glass to break.

## CONTROL KNOBS

- The control knobs may be removed for easier cleaning.
- Make sure the knobs are in the **OFF** positions and pull them straight off the stems for cleaning.
- The knobs can be cleaned in a dishwasher or they may also be washed with soap and water. Make sure the insides of the knobs are dry before replacing.
- Replace the knobs in the **OFF** position to ensure proper placement.

## PAINTED SURFACES

- Painted surfaces include the sides, control panel, door and kick panel. Clean these with soap and water or a vinegar and water solution.
- Do not use commercial oven cleaners, cleansing powders, steel wool or harsh abrasives on any painted surface.

## PORCELAIN OVEN INTERIOR

- With proper care, the porcelain enamel interior will retain its attractive finish for many years.
- Soap and water will normally do the job. Heavy spattering or spillovers may require cleaning with a mild abrasive cleanser. Soapy, wet pads may also be used. Do not allow food spills with a high sugar or acid content (such as milk, tomatoes, sauerkraut, fruit juices or pie filling) to remain on the surface. They may cause dull spots even after cleaning.
- Household ammonia may make the cleaning job easier. Place 1/2 cup ammonia in a shallow glass pan and leave in a cold oven overnight. The ammonia fumes will help loosen the burned-on grease and food.
- When necessary, you may use a commercial oven cleaner. Follow the package directions.

### Cautions about using spray-on oven cleaners:

- Do not spray the oven cleaner on the electrical controls and switches, because it could cause a short circuit and result in sparking or fire.
- Do not directly spray oven cleaner onto the oven heating elements.

# CARE AND MAINTENANCE

## PORCELAIN OVEN INTERIOR (continued)

### Cautions about using spray-on oven cleaners:

- Do not allow a film from the cleaner to remain on the temperature sensor - it could cause the oven to heat improperly. (The sensor is located at the top of the oven.) Carefully wipe the bulb clean after each oven cleaning, being careful not to move the sensor since a change in its position could affect how the oven bakes.
- Do not spray any oven cleaner on the outside oven door, handles or any exterior surface of the oven, cabinet or painted surfaces. The cleaner can damage these surfaces.

## OVEN LIGHT REPLACEMENT (on some models)

### **WARNING** SHOCK OR BURN HAZARD

**Before replacing the oven light bulb, disconnect the electrical power to the range at the main fuse or circuit breaker panel. Failure to do so may result in electric shock or burn. Be sure to let the light cover and bulb cool completely.**

The oven light bulb is covered with a removable glass cover that is held in place with a bail-shaped wire. Remove the oven door, if desired, to reach the cover easily.

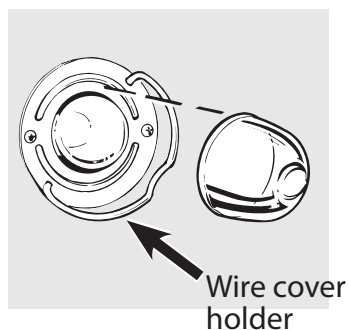
Be sure to let the light cover and bulb cool completely.

#### To remove the cover:

1. Hold a hand under the cover so it doesn't fall when released. With the fingers of the same hand, firmly push back the wire cover holder. Lift off the cover. **Do not remove any screws to remove the cover.**
2. Do not touch the hot bulb with a wet cloth. Replace the bulb with a 40-watt appliance bulb.

#### To replace the cover:

1. Place it into the groove of the light receptacle. Pull the wire forward to the center of the cover, until it snaps into place. When in place, the wire holds the cover firmly. Be certain that the wire is in the depression in the center of the cover.
2. Connect the electrical power to the range.



## STORAGE DRAWER REMOVAL (on some models)



Clean under the range

#### To remove the storage drawer:

1. Pull the drawer out all the way.
2. Tilt up the front and remove it.

#### To replace the storage drawer:

1. Insert glides at the back of the drawer beyond the stop on range glides.
2. Lift the drawer if necessary to insert easily.
3. Let the front of the drawer down, then push in to close.

# INSTALLATION INSTRUCTIONS

## BEFORE YOU BEGIN

Read these instructions completely and carefully.

**IMPORTANT** - Save these instructions for the local inspector's use.

**IMPORTANT** - Observe all governing codes and ordinances.

**Note to Installer** - Be sure to leave these instructions with the Consumer.

**Note to Consumer** - Keep these instructions for future reference.

**Skill level** - Installation of this appliance requires basic mechanical skills.

**Completion time** - 1 to 3 hours

Proper installation is the responsibility of the installer.

Product failure due to improper installation is not covered under the Warranty.



### WARNING

**THIS APPLIANCE MUST BE PROPERLY GROUNDED.**



### WARNING

### FOR YOUR SAFETY:

Before beginning the installation, switch the power off at the service panel and lock the service disconnecting means to prevent power from being switched on accidentally. When the service disconnecting means cannot be locked, securely fasten a prominent warning device, such as a tag, to the service panel.

### FOR YOUR SAFETY:

- All rough-in and spacing dimensions must be met for safe use of your range. Electricity to the range can be disconnected at the outlet without moving the range if the outlet is in the preferred location (remove the lower drawer).
- To reduce the risk of burns or fire when reaching over hot surface elements, cabinet storage space above the cooktop should be avoided. If cabinet storage space is to be provided above the cooktop, the risk can be reduced by installing a range hood that sticks out at least 5" beyond the front of the cabinets. Cabinets installed above a cooktop must be no deeper than 13".
- Be sure your appliance is properly installed and grounded by a qualified technician.
- Make sure the cabinets and wall coverings around the range can withstand the temperatures (up to 200°F) generated by the range.

### ANTI-TIP DEVICE



### WARNING

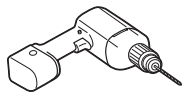
#### Tip-Over Hazard

- A child or adult can tip the range and be killed.
- Install the anti-tip bracket to the wall or floor.
- Engage the range to the anti-tip bracket by sliding the range back so the anti-tip arm slides under the anti-tip bracket.
- Re-engage the anti-tip bracket if the range is moved.
- Failure to do so can result in death or serious burns to children and adults.

# INSTALLATION INSTRUCTIONS

## PREPARE TO INSTALL THE RANGE

### TOOLS YOU WILL NEED



Drill with 1/8" bit



Safety Glasses



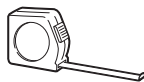
1/4" Nut Driver



Level



Adjustable Wrench



Tape Measure



Phillips Screwdriver



Flat-blade Screwdriver

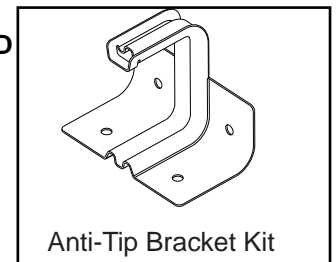


Pliers



Pencil

### PARTS INCLUDED



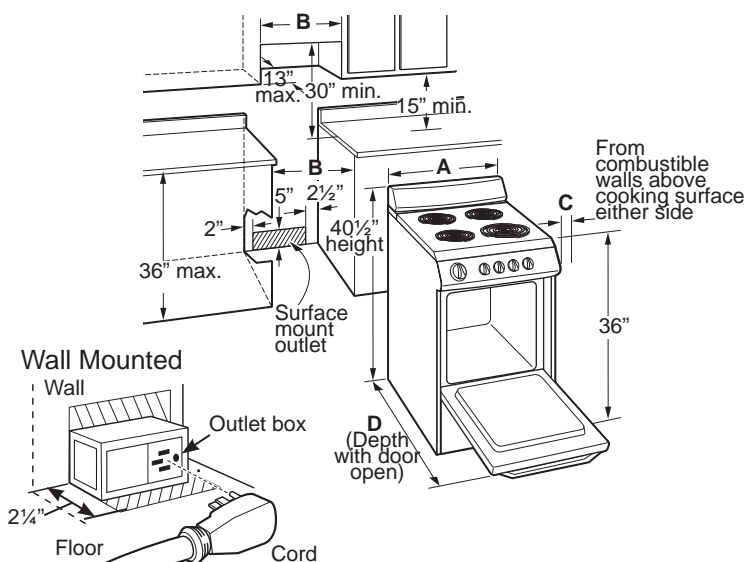
Anti-Tip Bracket Kit

## (1) REMOVE SHIPPING MATERIALS

Remove packaging materials. Failure to remove packaging materials could result in damage to the appliance.

## (2) PREPARE THE OPENING

- Allow 2" spacing from the range to adjacent vertical walls above the cooktop surface. Allow 30" minimum clearance between the surface elements and the bottom of unprotected wood or metal top cabinets, and 15" minimum between the countertop and the adjacent cabinet bottom.
- To eliminate the risk of burns or fire when reaching over hot surface elements, cabinet storage space above the cooktop should be avoided. If cabinet storage space is to be provided above the cooktop, the risk can be reduced by installing a range hood that protrudes at least 5" beyond the front of the cabinets. Cabinets installed above a cooktop may be no deeper than 13".



Recommended acceptable electrical outlet area. Orient the electrical receptacle so the length is parallel to the floor.

### Flooring under the range

- Your range, like many other household items, is heavy and can settle into soft floor coverings such as cushioned vinyl or carpeting.
- When moving the range on this type of flooring, it should be installed on a 1/4" thick sheet of plywood (or similar material) as follows:
- When the floor covering ends at the front of the range, the area that the range will rest on should be built up with plywood to the same level or higher than the floor covering. This will allow the range to be moved for cleaning or servicing.

Model	A	B	C	D
20" Wide	20"	21"	2"	41"
24" Wide	24"	25"	2"	41"

# INSTALLATION INSTRUCTIONS

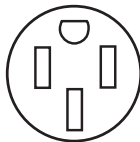
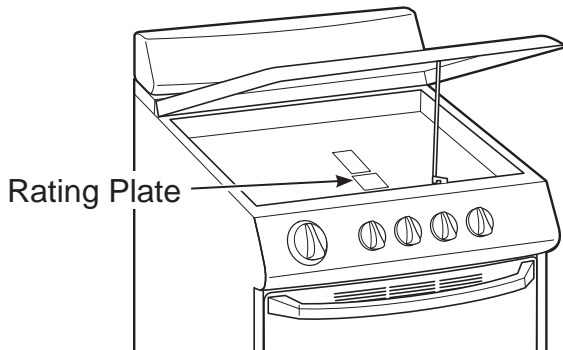
## ELECTRICAL CONNECTIONS

### ELECTRICAL REQUIREMENTS

#### CAUTION

For personal safety, do not use an extension cord with this appliance. Remove house fuse or open circuit breaker before beginning installation.

- This appliance must be supplied with the proper voltage and frequency, and connected to an individual properly grounded branch circuit, protected by a circuit breaker or fuse having amperage as specified on the rating plate. The rating plate is located under the cooktop. See the Lift-Up Cooktop section in this manual for instructions on how to lift the cooktop.



- We recommend you have the electrical wiring and hookup of your range connected by a qualified electrician. After installation, have the electrician show you where your main range disconnect is located.
- Check with your local utilities for electrical codes which apply in your area. Failure to wire your oven according to governing codes could result in a hazardous condition. If there are no local codes, your range must be wired and fused to meet the requirements of the CSA Standard C22.1, Canadian Electrical Code, Part 1 - latest edition. You can get a copy from:
  - Canadian Standards Association, 178 Rexdale Blvd., Toronto, ON, M9W 1R3, CANADA.
- This range is equipped with a CSA International Certified Power Cord intended to be plugged into a standard 14-50R wall receptacle. Be sure the wall receptacle is within reach of the range's final location.

## ANTI-TIP BRACKET INSTALLATION INSTRUCTIONS



### WARNING

#### Tip-Over Hazard

- A child or adult can tip the range and be killed.
- Install the anti-tip bracket to the wall or floor.
- Engage the range to the anti-tip bracket by sliding the range back so the anti-tip arm slides under the anti-tip bracket.
- Re-engage the anti-tip bracket if the range is moved.
- Failure to do so can result in death or serious burns to children or adults.

To reduce the RISK OF TIPPING the range, the range must be secured by a properly installed ANTI-TIP BRACKET. Secure the bracket with the screws provided. See installation instructions for complete details before attempting to install.

**NOTE:** The installation of the ANTI-TIP bracket must meet all local codes for securing the appliance.

# INSTALLATION INSTRUCTIONS

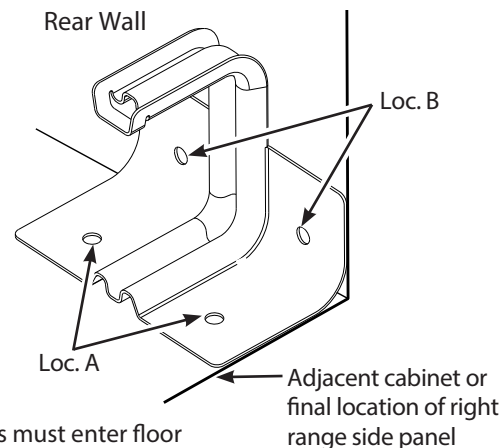
## ANTI-TIP BRACKET INSTALLATION INSTRUCTIONS (cont'd)

### STEP 1 LOCATE THE BRACKET

#### **! IMPORTANT:**

Determine the final location of the range before attempting to install the bracket.

**A** Place the bracket on the floor with the back edge against the rear wall. If the range does not reach the rear wall, align the back edge of the bracket with the rear panel of the range in its final location.



Two screws must enter floor or wall at Loc. A or B.

#### **! IMPORTANT:**

If the bracket does not touch the rear wall, you **MUST** screw the bracket to the **FLOOR** as described in Step 2.

**B** Position the side of the bracket against the right cabinet. If there is no adjacent cabinet, align the edge of the bracket with the right side panel of the range in its final location. If the countertop overhangs the cabinet, offset the bracket from the cabinet by the amount of the overhang.

**C** Mark the location for the pair of holes to be used (see illustration above).

**NOTE:** For FLOOR installation use Loc. A. For REAR WALL installation use Loc. B.

### STEP 2 SECURE THE BRACKET

The bracket must be screwed to either the FLOOR or the REAR WALL.

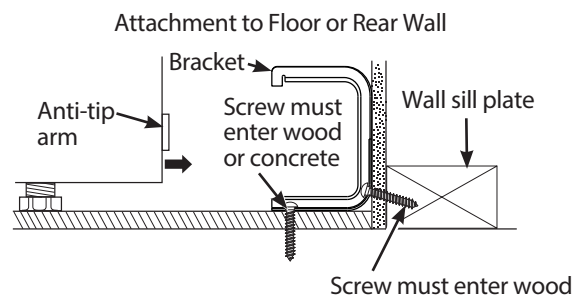
#### **FLOOR Installation**

**WOOD FLOOR:** Use the screws provided to secure the bracket using the pair of marked holes (Loc. A).

**CONCRETE FLOOR:** Using a concrete bit, drill a 5/32" pilot hole 2" deep into the concrete at the center of each of the marked holes (Loc. A). Use the screws provided to secure the bracket into the floor.

#### **REAR WALL Installation**

Use the 2 screws provided to secure the bracket using the pair of marked holes at Loc. B. The screws **MUST** enter into a wood sill plate. If the wall contains any metal studs or similar materials, then the floor must be used.



### STEP 3 CHECK THE BRACKET

After installing the bracket, slide the range into its final location. To check if the bracket is installed and engaged properly, look underneath the range to see that the anti-tip arm attached to side panel is engaged in the bracket. On some models, the storage drawer or kick panel can be removed for easier inspection. If visual inspection is not possible, slide the range forward, confirm the anti-tip bracket is securely attached to the floor or wall, and slide the range back so the anti-tip arm slides just under the anti-tip bracket. If the range is pulled from the wall for any reason, always repeat this procedure to verify the range is properly secured by the anti-tip bracket.

#### **! IMPORTANT:**

The anti-tip bracket must be **PROPERLY INSTALLED** to prevent the range from tipping. **NEVER** remove the leveling legs. This will prevent the range from being secured to the **ANTI-TIP** bracket properly.

# INSTALLATION INSTRUCTIONS

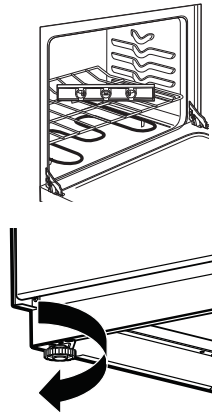
## INSTALL THE RANGE

### LEVEL THE RANGE

For proper cooking and baking, the range must be leveled. Leveling legs are located on each corner at the base of the range.

(A) Install the oven shelves (see **Using the oven** section for instructions). Put a spirit level or a glass measuring cup partially filled with water on one of the oven shelves. If using a spirit level, take two readings - with the level placed diagonally, first in one direction and then the other.

(B) Turn the legs clockwise to raise the range and counterclockwise to lower the range. Adjust the leveling legs until the range is level.



### FINAL INSTALLATION CHECKLIST

- Check to make sure the circuit breaker is closed (RESET) or the circuit fuses are replaced.
- Be sure power is in service to the building.
- Check to be sure that all packing materials and tape have been removed. This will include tape on the metal panel under control knobs (if applicable), adhesive tape, wire ties, cardboard and protective plastic. Failure to remove these materials could result in damage to the appliance once the appliance has been turned on and surfaces have heated.
- Check that the door and drawer are parallel to each other and that both operate smoothly. If they do not, see the Owner's Manual for proper replacement.
- Check to make sure that the Anti-Tip device is securely installed.
- Be sure all range controls are in the OFF positions before leaving the range.

# TROUBLESHOOTING GUIDE

Occasionally, a problem is minor and a service call may not be necessary- use this troubleshooting guide for a possible solution. If the unit continues to operate improperly, call an authorized service depot or Danby's Toll Free Number 1-800-263-2629 for assistance.

PROBLEM	POSSIBLE CAUSE	SOLUTION
Surface elements not functioning properly.	The surface elements are not plugged in solidly.	With the controls off, check to make sure that the surface element is plugged completely into the receptacle.
	The surface element controls are improperly set.	Check to see that the correct control is set for the surface element you are using.
	The drip pans are not set securely in the cooktop.	With the controls off, check to make sure the drip pan is in the recess in the cooktop and that the opening in the pan lines up with the receptacle.
Oven will not work.	A fuse in your home may be blown or the circuit breaker tripped.	Replace the fuse or reset the circuit breaker.
	Plug on range is not completely inserted in the electrical outlet.	Make sure that the electrical plug is plugged into a live, properly grounded outlet.
	Oven control is improperly set.	See the <i>Using the oven</i> sections.
Food does not broil properly.	Oven control is improperly set.	Make sure you turn the knob all the way to the <b>BROIL</b> position.
	Improper shelf position is being used.	See the <i>Broiling Guide</i> .
	Cookware is not suited for broiling.	Use the broiling pan and grid that came with your range.
	Aluminum foil used on the broiling pan and grid has not been fitted properly and slit as recommended.	See the <i>Use of aluminum foil</i> section.
Food does not bake or roast properly.	Oven control is improperly set.	See the <i>Using the oven for baking or roasting</i> section.
	Shelf position is incorrect or the shelf is not level.	See the <i>Using the oven for baking or roasting</i> section.
	Necessary preheating was not done.	See the <i>Using the oven for baking or roasting</i> section.
	Incorrect cookware or cookware of improper size is being used.	See the <i>Using the oven for baking or roasting</i> section.
Oven light does not work.	Light bulb is loose.	Tighten or replace the bulb.
	Switch which operates the light is broken.	Call for service.

## LIMITED IN-HOME APPLIANCE WARRANTY

This quality product is warranted to be free from manufacturer's defects in material and workmanship, provided that the unit is used under the normal operating conditions intended by the manufacturer.

This warranty is available only to the person to whom the unit was originally sold by Danby Products Limited (Canada) or Danby Products Inc. (U.S.A.) (hereafter "Danby") or by an authorized distributor of Danby, and is non-transferable.

### TERMS OF WARRANTY

Plastic parts, are warranted for thirty (30) days only from purchase date, with no extensions provided.

*First 24 months* During the first twenty-four (24) months, any functional parts of this product found to be defective, will be repaired or replaced, at warrantor's option, at no charge to the ORIGINAL purchaser.

*To obtain service* Danby reserves the right to limit the boundaries of "In Home Service" to the proximity of an Authorized Service Depot. Any appliance requiring service outside the limited boundaries of "In Home Service", it will be the consumer's responsibility to transport the appliance (at their own expense) to the original retailer (point of purchase) or a service depot for repair. See "Boundaries of In Home Service" below. Contact your dealer from whom your unit was purchased, or contact your nearest authorized Danby service depot, where service must be performed by a qualified service technician. If service is performed on the units by anyone other than an authorized service depot, or the unit is used for commercial application, all obligations of Danby under this warranty shall be void.

*Boundaries of in-home service* If the appliance is installed in a location that is 100 kilometers (62 miles) or more from the nearest service center your unit must be delivered to the nearest authorized Danby Service Depot, as service must only be performed by a technician qualified and certified for warranty service by Danby. Transportation charges to and from the service location are not protected by this warranty and are the responsibility of the purchaser.

Nothing within this warranty shall imply that Danby will be responsible or liable for any spoilage or damage to food or other contents of this appliance, whether due to any defect of the appliance, or its use, whether proper or improper.

### EXCLUSIONS

Save as herein provided, by Danby, there are no other warranties, conditions, representations or guarantees, express or implied, made or intended by Danby or its authorized distributors and all other warranties, conditions, representations or guarantees, including any warranties, conditions, representations or guarantees under any Sale of Goods Act or like legislation or statute is hereby expressly excluded. Save as herein provided, Danby shall not be responsible for any damages to persons or property, including the unit itself, howsoever caused or any consequential damages arising from the malfunction of the unit and by the purchase of the unit, the purchaser does hereby agree to indemnify and hold harmless Danby from any claim for damages to persons or property caused by the unit.

### GENERAL PROVISIONS

No warranty or insurance herein contained or set out shall apply when damage or repair is caused by any of the following:

- 1) Power failure.
- 2) Damage in transit or when moving the appliance.
- 3) Improper power supply such as low voltage, defective house wiring or inadequate fuses.
- 4) Accident, alteration, abuse or misuse of the appliance such as inadequate air circulation in the room or abnormal operating conditions (extremely high or low room temperature).
- 5) Use for commercial or industrial purposes (ie. If the appliance is not installed in a domestic residence).
- 6) Fire, water damage, theft, war, riot, hostility, acts of God such as hurricanes, floods etc.
- 7) Service calls resulting in customer education.
- 8) Improper Installation (ie. Building-in of a free standing appliance or using an appliance outdoors that is not approved for outdoor application). Proof of purchase date will be required for warranty claims; so, please retain bills of sale. In the event warranty service is required, present this document to our AUTHORIZED SERVICE DEPOT.

**Warranty Service**  
In-home

Danby Products Limited  
PO Box 1778, Guelph, Ontario, Canada N1H 6Z9  
Telephone: (519) 837-0920 FAX: (519) 837-0449

**1-800-263-2629**  
04/14

Danby Products Inc.  
PO Box 669, Findlay, Ohio, U.S.A. 45840  
Telephone: (419) 425-8627 FAX: (419) 425-8629

# BIENVENUE

Bienvenue dans la famille Danby. Nous sommes fiers de la qualité de nos produits et nous croyons fermement au service par une assistance fiable. Vous le découvrirez à la lecture de ce guide facile d'utilisation et vous en aurez la confirmation par notre service d'assistance à la clientèle. Mais ce qui est encore mieux, vous pourrez bénéficier de ces avantages à chaque utilisation de votre appareil. Ceci est important parce que votre nouvel appareil fera partie de votre famille pour longtemps.

**Veillez noter les informations ci-dessous; ces renseignements seront nécessaires si votre appareil a besoin d'entretien ou pour les demandes de renseignements généraux. Pour bénéficier d'une opération de maintenance ou de dépannage, le reçu original sera exigé.**

Numéro de modèle : \_\_\_\_\_

Numéro de série : \_\_\_\_\_

Date d'achat : \_\_\_\_\_

## BESOIN D'ASSISTANCE ?

Veillez trouver quelques conseils avant de faire appel à nos services, cela nous aidera à mieux vous servir :

### **Lisez ce guide :**

Il comprend des instructions pour l'utilisation et l'entretien adapté de votre appareil.

### **Si votre nouvel appareil est endommagé :**

Contactez immédiatement le revendeur (ou le fabricant).

### **Gagnez du temps et de l'argent :**

Avant de faire appel à nos services, consultez à nouveau la section « Dépannage ». Cette section vous aidera à résoudre des problèmes courants.

Si une réparation est nécessaire, ne vous inquiétez pas, la solution est au bout du fil.



1-800-26-Danby  
(1-800-263-2629)



## AVERTISSEMENT :

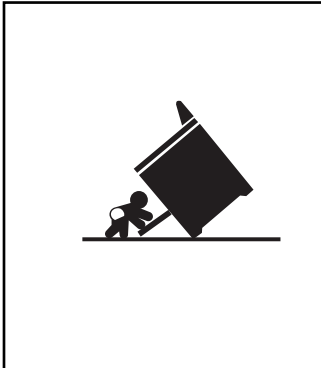
**Une fiche de mise à la terre mal branchée peut entraîner un risque d'incendie, de choc électrique ou de blessures aux personnes qui utilisent l'appareil. Si vous n'êtes pas certain que l'appareil est correctement mis à la terre, consultez un préposé du service qualifié.**



# RENSEIGNEMENTS IMPORTANTS SUR LA SÉCURITÉ

## LISEZ TOUTES LES INSTRUCTIONS AVANT L'UTILISATION

### DISPOSITIF ANTIBASCULEMENT



### AVERTISSEMENT

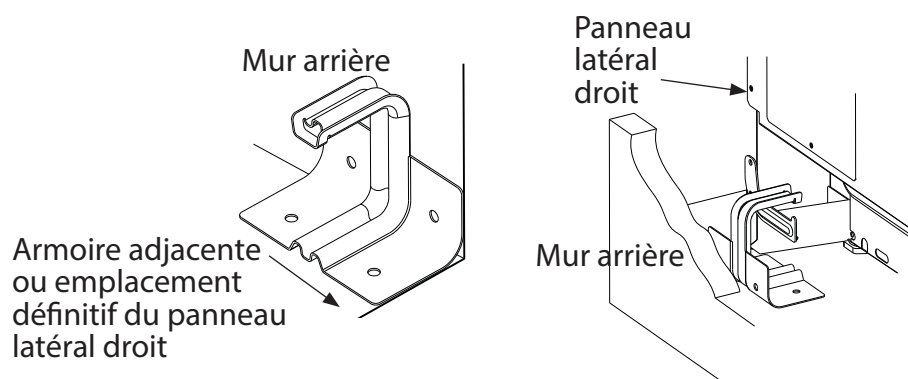
#### Risque de renversement

Un enfant ou un adulte pourrait faire basculer la cuisinière, ce qui peut entraîner un décès. Vérifiez que le support antibasculement est bien installé et fixé au plancher ou au mur. Après tout déplacement de la cuisinière, assurez-vous que le support antibasculement est réengagé en faisant glisser le bras antibasculement sous le support. Ne faites pas fonctionner la cuisinière lorsque le support antibasculement n'est pas en place et engagé. Le non-respect de ces directives peut provoquer des blessures mortelles ou des brûlures chez des enfants et des adultes.

Afin de réduire les risques de renversement de la cuisinière, il faut fixer celle-ci solidement à l'aide d'un support antibasculement. Consultez les instructions d'installation pour obtenir les détails complets avant l'installation.

#### Cuisinières autoportantes :

Pour vérifier si le support est installé et fixé correctement, regardez sous la cuisinière pour voir si le bras antibasculement fixé au panneau latéral est bien engagé dans le support. Il est possible d'enlever le panneau de bas de porte ou le tiroir de rangement de certaines cuisinières pour faciliter l'inspection visuelle. S'il est impossible d'effectuer l'inspection visuelle, faites glisser la cuisinière vers l'avant afin de confirmer que le support antibasculement est solidement fixé au plancher ou au mur. Ensuite, repoussez la cuisinière de manière à ce que le bras antibasculement glisse sous le support antibasculement. S'il faut éloigner la cuisinière du mur pour quelque raison que ce soit, veuillez toujours répéter ce processus pour vérifier que la cuisinière est bien fixée au support antibasculement.



**LISEZ ET RESPECTEZ ATTENTIVEMENT CES RENSEIGNEMENTS  
CONCERNANT LA SÉCURITÉ  
VEUILLEZ CONSERVER CES DIRECTIVES**



# RENSEIGNEMENTS IMPORTANTS SUR LA SÉCURITÉ

## LISEZ TOUTES LES INSTRUCTIONS AVANT L'UTILISATION

### AVERTISSEMENT

#### CONSIGNES DE SÉCURITÉ GÉNÉRALES

- Utilisez cet appareil uniquement aux fins décrites dans ce manuel du propriétaire.
- Assurez-vous que votre appareil est installé et mis à la terre adéquatement, par un installateur compétent et conformément aux directives d'installation fournies.
- Ne tentez pas de réparer ou de remplacer des pièces de votre cuisinière, à moins que cela ne soit recommandé de manière explicite dans ce manuel. Toute autre réparation et tout autre entretien doivent être exécutés par un technicien compétent.
- Avant toute réparation et tout entretien, débranchez la cuisinière ou coupez l'alimentation électrique au tableau de distribution de la résidence en retirant le fusible ou en basculant le disjoncteur.
- Ne laissez pas les enfants seuls – il ne faut pas laisser les enfants seuls ou sans surveillance dans un endroit où un appareil est en marche. Il ne faut pas laisser les enfants grimper, s'asseoir ou se tenir debout sur une partie de l'appareil.
- **MISE EN GARDE** : Ne rangez pas d'objets attrayants pour les enfants au-dessus de la cuisinière ou sur le dossier de celle-ci – les enfants qui grimpent sur la cuisinière pour atteindre ces objets pourraient subir de graves blessures.
- Utilisez toujours des gants de cuisson secs – l'utilisation de gants de cuisson humides ou trempés peut causer des brûlures de vapeur. Les gants de cuisson ne doivent pas entrer en contact avec les éléments chauffants. N'utilisez pas de serviette ou de chiffon de grande taille pour remplacer les gants de cuisson.
- N'utilisez jamais votre appareil pour réchauffer ou chauffer la pièce.
- Ne touchez pas les éléments de surface, ni les surfaces adjacentes aux éléments ou les parois internes du four. Ces surfaces peuvent être suffisamment chaudes pour causer des brûlures, même si la lumière des surfaces n'est pas visible. Pendant et après l'utilisation de l'appareil, ne touchez pas les éléments de surface, ni les surfaces adjacentes aux éléments ou les parois internes du four et ne laissez pas vos vêtements et toute autre matière inflammable entrer en contact avec ceux-ci. Laissez écouler suffisamment de temps pour que l'appareil refroidisse. D'autres surfaces de l'appareil peuvent devenir suffisamment chaudes pour causer des brûlures. Les surfaces suivantes peuvent être chaudes : la table de cuisson, les zones faisant face à la table de cuisson, l'orifice de ventilation du four, ainsi que les surfaces situées à proximité de cet orifice et des ouvertures près de la porte du four.
- Ne faites pas chauffer des contenants de nourriture qui ne sont pas ouverts. La pression pourrait s'accumuler et le contenant pourrait exploser et causer des blessures.
- N'utilisez pas de papier d'aluminium pour recouvrir les lèchefrites ou les parois du four, à moins d'indication contraire dans ce manuel. Le papier d'aluminium peut emprisonner la chaleur ou fondre, ce qui pourrait endommager l'appareil et entraîner un risque d'électrocution ou d'incendie.
- Évitez d'égratigner ou de cogner les portes et les tables de cuisson en verre, ainsi que les panneaux de commande. Cela pourrait briser les composants de verre. Ne cuisez pas des aliments sur un appareil dont les composants de verre sont endommagés. Cela pourrait entraîner un risque d'électrocution, d'incendie ou de coupure.
- Faites cuire à point les viandes et les volailles – les viandes doivent être cuites jusqu'à une température interne d'au moins 71 °C (160 °F) et les volailles doivent être cuites jusqu'à une température interne d'au moins 82 °C (180 °F). Ces températures de cuisson permettent généralement de vous protéger contre les maladies d'origine alimentaire.

**LISEZ ET RESPECTEZ ATTENTIVEMENT CES RENSEIGNEMENTS  
CONCERNANT LA SÉCURITÉ  
VEUILLEZ CONSERVER CES DIRECTIVES**



# RENSEIGNEMENTS IMPORTANTS SUR LA SÉCURITÉ

## LISEZ TOUTES LES INSTRUCTIONS AVANT L'UTILISATION

### AVERTISSEMENT

#### TENEZ LES MATIÈRES INFLAMMABLES ÉLOIGNÉES DE LA CUISINIÈRE

- N'entreposez pas et n'utilisez pas des matières inflammables dans un four ou près de la table de cuisson, y compris du papier, du plastique, des gants de cuisson, des linges, des revêtements muraux, des rideaux, des draperies, de l'essence ou d'autres liquides et vapeurs inflammables.
- Ne portez jamais des vêtements amples ou tombants lorsque vous utilisez l'appareil. Ces vêtements pourraient s'enflammer s'ils entrent en contact avec les surfaces chaudes, ce qui causera des brûlures.
- Ne laissez pas les graisses de cuisson et autres matières inflammables s'accumuler dans la cuisinière ou près de celle-ci. La graisse dans le four ou sur la table de cuisson peut s'enflammer.
- Nettoyez fréquemment les hottes de ventilation. Il ne faut pas laisser la graisse s'accumuler sur la hotte ou le filtre.

### AVERTISSEMENT

#### EN CAS D'INCENDIE, VEUILLEZ PRENDRE LES MESURES SUIVANTES POUR ÉVITER LA PROPAGATION DES FLAMMES

- Ne versez pas de l'eau sur un feu de friture. Ne tentez jamais de prendre un poêlon enflammé. Éteignez les commandes. Éteignez le feu dans un poêlon enflammé sur un élément de surface en couvrant complètement le poêlon avec un couvercle hermétique, une plaque à biscuits ou un plateau. Utilisez un agent chimique en poudre tout usage ou un extincteur à mousse.
- En cas d'incendie dans le four pendant la cuisson, étouffez le feu en fermant la porte du four et en éteignant celui-ci, ou utilisez un agent chimique en poudre tout usage ou un extincteur à mousse.
- En cas d'incendie dans le four pendant le cycle autonettoyant, éteignez le four et attendez que les flammes s'éteignent. **Ne tentez pas de forcer l'ouverture de la porte.** L'introduction d'air frais qui se mélange aux températures du cycle autonettoyant peut provoquer l'embrasement du four. Le non-respect de cette directive peut entraîner des brûlures graves.

**LISEZ ET RESPECTEZ ATTENTIVEMENT CES RENSEIGNEMENTS  
CONCERNANT LA SÉCURITÉ  
VEUILLEZ CONSERVER CES DIRECTIVES**



# RENSEIGNEMENTS IMPORTANTS SUR LA SÉCURITÉ

## LISEZ TOUTES LES INSTRUCTIONS AVANT L'UTILISATION

### AVERTISSEMENT

#### DIRECTIVES DE SÉCURITÉ CONCERNANT L'UTILISATION DE LA TABLE DE CUISSON

- Ne laissez jamais la cuisinière sans surveillance lorsque l'élément de surface est ALLUMÉ. Les débordements causent de la fumée et les résidus gras peuvent s'enflammer.
- Ne laissez jamais chauffer l'huile sans surveillance lors de la friture. Lorsqu'elle chauffe au-delà du point de fumée, l'huile peut s'enflammer et entraîner un incendie qui se propage aux armoires adjacentes. Dans la mesure du possible, utilisez un long thermomètre à graisse pour surveiller la température de l'huile.
- Pour éviter un débordement d'huile et un incendie, utilisez une quantité d'huile minimale lors de la friture dans un poêlon peu profond et évitez de cuire des aliments surgelés recouverts d'une couche de glace épaisse.
- Utilisez un poêlon dont les dimensions sont appropriées – choisissez des poêlons à fond plat, suffisamment larges pour recouvrir l'élément de surface. L'élément chauffant sera partiellement découvert si vous utilisez des récipients trop petits, ce qui peut entraîner l'embrasement des vêtements. Le choix d'un ustensile de cuisson aux dimensions adéquates pour l'élément de surface est également plus efficace.
- Seuls certains types de récipients en verre, verre et céramique, grès et autres récipients à revêtement vitrifié conviennent pour l'utilisation sur la table de cuisson; d'autres types de récipients pourraient se briser lors d'un changement de température soudain.
- Pour réduire au minimum les risques de brûlures, d'embrasement de matières inflammables et de débordement, il faut orienter la poignée du récipient vers le centre de la cuisinière, en veillant à ce que la poignée ne soit pas au-dessus d'un élément chauffant à proximité.
- Lorsque vous faites flamber des aliments, allumez le ventilateur de la hotte.
- En cas de perte d'alimentation à la table de cuisson électrique lorsque l'élément de surface est ALLUMÉ, celui-ci se rallumera aussitôt l'alimentation rétablie. En cas de panne de courant, le fait de ne pas éteindre tous les éléments de surface (boutons à la position d'arrêt « OFF ») peut causer l'embrasement des objets sur la table de cuisson ou à proximité et entraîner des blessures graves ou mortelles.

**LISEZ ET RESPECTEZ ATTENTIVEMENT CES RENSEIGNEMENTS  
CONCERNANT LA SÉCURITÉ  
VEUILLEZ CONSERVER CES DIRECTIVES**



# RENSEIGNEMENTS IMPORTANTS SUR LA SÉCURITÉ

## LISEZ TOUTES LES INSTRUCTIONS AVANT L'UTILISATION



### AVERTISSEMENT

#### DIRECTIVES DE SÉCURITÉ CONCERNANT LA TABLE DE CUISSON À ÉLÉMENTS RADIANTS (certains modèles)

- Soyez prudent lorsque vous touchez la table de cuisson. La surface de verre de la table de cuisson retient la chaleur après la fermeture des commandes (position « OFF »).
- Ne cuisez pas des aliments sur une table de cuisson endommagée. Les aliments qui débordent et les produits nettoyants peuvent pénétrer la table de cuisson en verre endommagée, ce qui entraîne un risque d'électrocution. Contactez un électricien compétent immédiatement.
- Évitez d'égratigner la table de cuisson en verre. Les couteaux, les ustensiles pointus ou tranchants, les bagues et les autres bijoux, ainsi que les rivets sur les vêtements peuvent égratigner la table de cuisson.
- Ne déposez et ne rangez pas sur la table de cuisson en verre des objets susceptibles de fondre ou de s'enflammer, même lorsque la cuisinière n'est pas utilisée. Ces objets pourraient s'enflammer si la table de cuisson est allumée par inadvertance. La chaleur provenant de la table de cuisson ou de l'orifice de ventilation du four peut également enflammer ces objets.
- Pour nettoyer la table de cuisson, utilisez un nettoyant et un tampon de nettoyage pour table de cuisson en céramique. Attendez que la table de cuisson refroidisse et que le témoin lumineux s'éteigne avant le nettoyage. L'utilisation d'une éponge ou d'un chiffon humide sur une surface chaude peut causer des brûlures par la vapeur. Certains nettoyants produisent des émanations toxiques lorsqu'ils sont appliqués sur une surface chaude. Remarque : Les débordements de sucre représentent une exception. Ces débordements devraient être grattés pendant qu'ils sont chauds; pour ce faire, enfilez un gant de cuisson et utilisez un grattoir. Pour des instructions détaillées, consultez la section Nettoyage de la table de cuisson en verre.
- Lisez et respectez toutes les instructions et tous les avertissements figurant sur l'étiquette de la crème nettoyante.



### AVERTISSEMENT

#### DIRECTIVES DE SÉCURITÉ CONCERNANT LA TABLE DE CUISSON À SERPENTINS (certains modèles)

- Veuillez ne pas immerger ni faire tremper les éléments chauffants de surface amovibles. Ne mettez pas les éléments dans le lave-vaisselle. Ne nettoyez pas les éléments chauffants de surface dans le four au cycle autonettoyant. Cela pourrait endommager les éléments et provoquer des brûlures ou un incendie.
- Pour éviter tout risque de brûlure ou d'électrocution, assurez-vous toujours que les commandes de tous les éléments de surface de la table de cuisson sont à la position d'arrêt (« OFF ») et que les serpentins sont froids avant de tenter de soulever ou de retirer l'un de ceux-ci.
- Assurez-vous que les cuvettes de propreté sous les serpentins ne sont pas recouvertes et sont bien en place. L'utilisation de la table de cuisson sans les cuvettes de propreté pourrait endommager les pièces et le câblage de la cuisinière.
- N'utilisez pas de papier d'aluminium pour recouvrir les lèchefrites. Le papier d'aluminium peut emprisonner la chaleur ou fondre, ce qui pourrait endommager l'appareil et entraîner un risque d'électrocution ou d'incendie.

**LISEZ ET RESPECTEZ ATTENTIVEMENT CES RENSEIGNEMENTS  
CONCERNANT LA SÉCURITÉ  
VEUILLEZ CONSERVER CES DIRECTIVES**



# RENSEIGNEMENTS IMPORTANTS SUR LA SÉCURITÉ

## LISEZ TOUTES LES INSTRUCTIONS AVANT L'UTILISATION



### AVERTISSEMENT

#### DIRECTIVES DE SÉCURITÉ CONCERNANT LE FOUR

- Tenez-vous éloigné de la cuisinière lorsque vous ouvrez la porte du four. La chaleur et la vapeur s'échappant du four peuvent brûler vos mains, votre visage et (ou) vos yeux.
- Assurez-vous que l'orifice de ventilation du four est libre de toute obstruction.
- Assurez-vous qu'il n'y a aucune accumulation de graisse dans le four, car la graisse pourrait s'enflammer.
- Placez les grilles du four à la hauteur désirée lorsque le four est froid. Si vous devez déplacer une grille lorsque le four est chaud, assurez-vous que votre gant de cuisson n'entre pas en contact avec l'élément chauffant du four.
- Si vous utilisez un sac brunisseur ou de cuisson dans le four, respectez les directives du fabricant.
- Placez la grille à la position d'arrêt et de verrouillage lorsque vous insérez ou retirez les aliments du four. Cela permettra d'éviter les brûlures au contact des surfaces chaudes de la porte et des parois du four.
- Ne laissez pas des objets comme du papier, des ustensiles ou des aliments dans le four lorsqu'il n'est pas utilisé. Les objets rangés dans le four pourraient s'enflammer.
- N'utilisez pas de papier d'aluminium pour recouvrir le fond du four. Le papier d'aluminium peut emprisonner la chaleur ou fondre, ce qui pourrait endommager l'appareil et entraîner un risque d'électrocution ou d'incendie.



### AVERTISSEMENT

#### TIROIR CHAUFFE-PLAT / TIROIR INFÉRIEUR DU FOUR DIRECTIVES DE SÉCURITÉ (certains modèles)

- Le tiroir chauffe-plat sert à conserver les aliments cuits et chauds à une température idéale pour le service. Les bactéries se multiplient dans les aliments à une température inférieure à 60 °C (140 °F). Ne déposez pas des aliments froids dans le tiroir chauffe-plat. Ne faites pas chauffer les aliments pendant plus de deux heures. Le non-respect de cette directive peut causer des maladies d'origine alimentaire.
- Ne laissez pas des papiers, des objets de plastique, des aliments en conserve et des matières combustibles dans le tiroir. Ces objets pourraient s'enflammer.
- Ne touchez pas l'élément chauffant ou les parois internes du tiroir. Ces surfaces pourraient devenir suffisamment chaudes pour causer des brûlures.
- Soyez prudent lorsque vous ouvrez le tiroir. Entrouvrez le tiroir et laissez l'air chaud ou la vapeur s'échapper avant de retirer ou replacer les aliments. La chaleur et la vapeur s'échappant du tiroir peuvent brûler vos mains, votre visage et (ou) vos yeux.
- N'utilisez pas de papier d'aluminium pour recouvrir le tiroir inférieur. Le papier d'aluminium peut emprisonner la chaleur dans la partie inférieure et peut nuire à la performance du four. De plus, le papier d'aluminium peut fondre et endommager le fond du tiroir de façon permanente.

**LISEZ ET RESPECTEZ ATTENTIVEMENT CES RENSEIGNEMENTS  
CONCERNANT LA SÉCURITÉ  
VEUILLEZ CONSERVER CES DIRECTIVES**

# DIRECTIVES D'UTILISATION

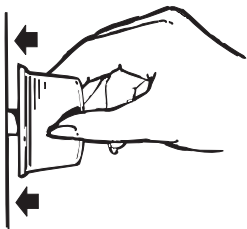
## UTILISATION DES ÉLÉMENTS CHAUFFANTS DE SURFACE

Les caractéristiques et l'apparence des appareils dans ce manuel peuvent varier d'un modèle à l'autre.

### COMMANDES DE LA SURFACE DE CUISSON

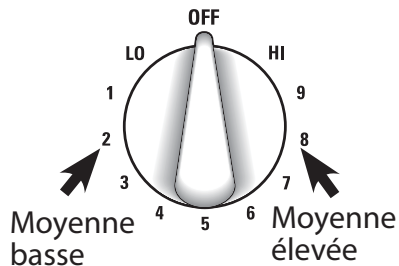
- Les commandes et les éléments de surface sont conçus pour offrir un éventail de réglages de chaleur pour la cuisson sur les éléments de la table de cuisson.
- Aux réglages de température basse (« LO ») et de température élevée (« HI »), il y a un léger cran où le bouton de commande s'enclenche (vous entendrez un « clic »). Les réglages de température basse (« LO ») et de température élevée (« HI ») correspondent respectivement à la plus faible et la plus haute température.
- Lorsque la cuisine est silencieuse, vous entendrez parfois de légers « clics » qui indiquent le maintien du réglage de température sélectionné.
- La sélection d'un réglage plus élevé change la température plus rapidement que la sélection d'un réglage inférieur.

### RÉGLAGE DES COMMANDES



1. Enfoncez le bouton de commande.
  2. Tournez le bouton dans le sens des aiguilles d'une montre ou dans le sens contraire, pour sélectionner le réglage de chaleur désiré.
- Il est nécessaire d'enfoncer le bouton de commande uniquement lorsqu'il est à la position d'arrêt (« OFF »).
  - Lorsque le bouton de commande est à un réglage autre que la position d'arrêt (« OFF »), vous pouvez éteindre cette commande sans enfoncer le bouton.
  - Assurez-vous d'éteindre la commande lorsque la cuisson est terminée. Le témoin lumineux s'allume lorsque n'IMPORTE QUEL des éléments de surface est allumé.

### GUIDE DES RÉGLAGES DE CHALEUR



- Température élevée « HI » – Pour commencer rapidement la cuisson et pour porter des liquides à ébullition.
  - Température moyenne élevée, entre « MEDIUM » et « HI » – Pour brunir ou saisir la viande rapidement et pour maintenir une ébullition rapide lors de la cuisson d'une grande quantité d'aliments.
  - Température moyenne « MEDIUM » – Pour brunir ou sauter les aliments et pour maintenir une ébullition lente lors de la cuisson d'une grande quantité d'aliments.
  - Température moyenne-basse, entre « MEDIUM » et « LO » – Pour cuire les céréales et pour maintenir la température de la plupart des aliments.
- Température basse « LO » – Pour cuire les aliments chauffés à température élevée « HI » et pour faire cuire les aliments avec un peu d'eau dans une casserole munie d'un couvercle. Réglage pour la cuisson du riz à la vapeur.

### REMARQUE :

1. Lors de la cuisson au réglage de température élevée « HI » ou de température moyenne élevée, entre « MEDIUM » et « HI », ne laissez jamais les aliments sans surveillance. Les débordements causent de la fumée et les résidus gras peuvent s'enflammer.
2. Utilisez un petit élément chauffant et le réglage de température basse « LO » pour faire fondre du chocolat ou du beurre.

### CONSEILS CULINAIRES

- Utilisez des casseroles et des poêlons matériau d'épaisseur moyenne à forte. Les casseroles et les poêlons en aluminium sont caractérisés par une conduction thermique plus rapide que les récipients faits d'un autre métal. Les récipients en fonte et en fonte à revêtement absorbent lentement la chaleur, mais procurent généralement une cuisson uniforme à température basse ou moyenne. Les poêlons en acier peuvent offrir une cuisson uniforme, lorsqu'ils ne sont pas faits d'un alliage.

# DIRECTIVES D'UTILISATION

## UTILISATION DES ÉLÉMENTS CHAUFFANTS DE SURFACE (suite)

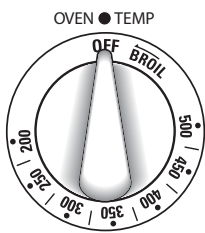
### CONSEILS CULINAIRES (suite)

- Ne remplissez pas excessivement une casserole ou un poêlon avec une matière grasse pouvant déborder lorsque vous y ajoutez des aliments. Les aliments congelés produisent une forte ébullition. Surveillez les aliments lors de la friture à température élevée. Assurez-vous d'éliminer toute accumulation de graisse sur la cuisinière et la hotte.
- Pour économiser l'énergie requise pour la cuisson, il faut utiliser des récipients à fond plat et parois droites, munies d'un couvercle étanche. Choisissez une casserole ou un poêlon dont les dimensions correspondent à celles de l'élément de surface. Un ustensile de cuisson dépassant de plus de 2,5 cm (1 po) hors de la zone de la cuvette de propreté emprisonne la chaleur, ce qui provoque des fissures (craquelures extrêmement fines) dans la porcelaine et des taches dont la couleur varie de bleu à gris foncé sur les cuvettes de propreté chromées.

## UTILISATION DU FOUR

Le bouton de réglage de la température du four « **OVEN TEMP** » est situé à l'avant de la cuisinière.

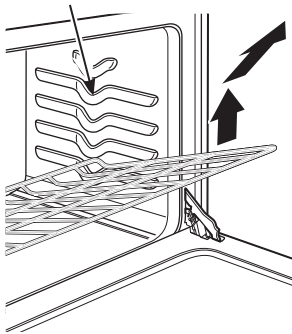
### COMMANDES DE TEMPÉRATURE DU FOUR



- Pour utiliser le four, il suffit de tourner le bouton à la température de cuisson souhaitée; la température est graduée en incréments de 25 °F. Le bouton de réglage de la température du four « **OVEN TEMP** » maintient la température sélectionnée, de 93 °C/200 °F à **Gril** (« **BROIL** »).
- Le témoin lumineux de réglage de la température (« **Oven Cycle** ») reste allumé jusqu'à ce que la température interne du four atteigne le réglage sélectionné. Ensuite, le témoin s'éteint et s'allume avec les éléments du four en cours de cuisson.

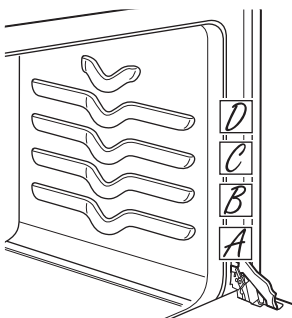
### GRILLES DU FOUR

Butée du support



- Les grilles comportent des butées d'arrêt et de verrouillage. Lorsque les grilles sont bien insérées dans les supports, les butées empêchent les grilles de sortir complètement du four. Les grilles resteront droites lorsque vous déposez ou retirez des aliments sur les grilles.
- Lorsque vous déposez un ustensile de cuisson sur la grille, tirez celle-ci pour la sortir de la butée du support. Déposez l'ustensile de cuisson sur la grille, puis faites glisser la grille à l'intérieur du four. De cette manière, vous évitez de mettre vos bras dans le four pour y prendre un récipient.
- **Pour enlever les grilles**, tirez-les vers vous, inclinez la partie avant vers le haut et retirez-les du four.
- **Pour remettre les grilles**, placez-les sur les supports en orientant les sections d'arrêt et de verrouillage (prolongements courbés de la grille) vers le haut et orientées vers l'arrière du four. Inclinez la partie avant de la grille vers le haut et enfoncez la grille dans le four, jusqu'à ce qu'elle dépasse la butée du support. Ensuite, abaissez la partie avant de la grille et enfoncez celle-ci jusqu'au fond.

### POSITIONS DES GRILLES DU FOUR



Le four comporte quatre supports pour les grilles.

- Le four comporte quatre supports pour les grilles : A (bas), B, C et D (haut).
- Les pages de la section Cuisson et rôtissage présentent les positions de grille suggérées.

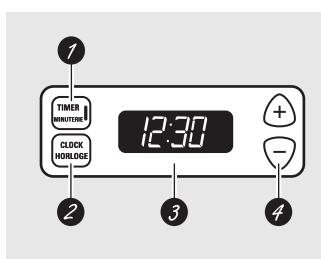
# DIRECTIVES D'UTILISATION

## UTILISATION DU FOUR (suite)

### UTILISATION DU PAPIER D'ALUMINIUM

- N'utilisez pas de papier d'aluminium pour recouvrir le fond du four. Le papier d'aluminium emprisonne la chaleur dans la partie inférieure et peut nuire à la performance du four. De plus, le papier d'aluminium peut fondre et endommager le fond du four de façon permanente. Les dommages résultant de l'utilisation inadéquate du papier d'aluminium ne sont pas couverts par la garantie associée au produit.
- Il est possible de placer une feuille de papier d'aluminium sur la grille inférieure, quelques centimètres sous les aliments, afin de recueillir les déversements. N'utilisez pas une feuille d'aluminium plus grande que nécessaire et ne recouvrez jamais une grille entière avec du papier d'aluminium. Placez le papier d'aluminium à une distance d'au moins 3,8 cm (1,5 po) des parois du four, pour éviter de nuire à la circulation de la chaleur.

### HORLOGE ET MINUTERIE (sur certains modèles)



*L'aspect peut varier.*

1. **Touche MINUTERIE (Timer)** : Appuyez sur cette touche pour sélectionner la fonction de minuterie.
2. **Touche HORLOGE (Clock)** : Appuyez sur cette touche avant de régler l'horloge.
3. **Afficheur (Display)** : Affiche l'heure et la durée de cuisson ou l'heure de départ programmée sur la minuterie.
4. **Touches +/- (set +/- pad)** : Ces touches vous permettent de régler l'horloge et la minuterie.

## UTILISATION DU FOUR POUR LA CUISSON ET LE RÔTISSAGE DES ALIMENTS

Pour éviter les risques de brûlure, placez les grilles à la hauteur souhaitée avant d'allumer le four.

### RÉGLAGE DU FOUR POUR LA CUISSON ET LE RÔTISSAGE DES ALIMENTS

1. Placez la ou les grilles à la hauteur souhaitée dans le four. Si vous utilisez deux grilles simultanément, placez les ustensiles de cuisson de manière à favoriser la circulation de la chaleur.
2. Fermez la porte du four. Tournez le bouton de réglage de la température du four « OVEN TEMP » dans le sens des aiguilles d'une montre pour sélectionner la température désirée. Si le préchauffage est requis, préchauffez le four pendant au moins dix minutes.
3. Déposez les aliments au centre de la grille dans le four. Placez l'ustensile de cuisson de manière à conserver une distance d'au moins 5 cm (2 po) entre le bord de l'ustensile et tout autre récipient ou toute paroi interne du four.
4. Lorsque le temps de cuisson minimal indiqué dans la recette est écoulé, vérifiez si les aliments sont cuits. Faites cuire les aliments plus longtemps si nécessaire. Tournez le bouton de réglage de la température du four « OVEN TEMP » à la position d'arrêt « OFF » et retirez les aliments du four.

### POSITIONS DES GRILLES

- Pour la cuisson de la plupart des aliments, il faut placer la grille à la deuxième position (B) ou à la troisième position (C) par rapport au bas du four.
- Pour la cuisson de trois ou quatre plats, utilisez deux grilles, en deuxième et quatrième positions (B et D) par rapport au bas du four.
- Cuisez un gâteau des anges sur une grille à la première position (A) par rapport au bas du four.
- Pour rôtir des aliments, il faut généralement placer la grille à la position inférieure (A).

# DIRECTIVES D'UTILISATION

## UTILISATION DU FOUR POUR LA CUISSON ET LE RÔTISSAGE DES ALIMENTS (suite)

### **PRÉCHAUFFAGE**

- Il faut prévoir environ dix minutes pour le préchauffage du four.
- Préchauffez le four uniquement lorsque cela est nécessaire, généralement pour la boulangerie ou la pâtisserie.
- La cuisson de la plupart des rôtis ne nécessite aucun préchauffage.
- Si le préchauffage est requis, surveillez le témoin lumineux de réglage de la température (« Oven Cycle ») et placez les aliments dans le four promptement lorsque ce témoin s'éteint. Le témoin lumineux de réglage de la température (« Oven Cycle ») s'allume et s'éteint en fonction du thermostat du four qui s'active pour maintenir la température interne.

### **CONSEILS DE CUISSON ET DE RÔTISSAGE**

- Suivez une recette éprouvée et mesurez soigneusement les ingrédients. Si vous utilisez un mélange préparé, suivez les directives sur l'emballage.
- N'ouvrez pas la porte du four pendant la cuisson – cela entraînera une perte de chaleur et il faudra peut-être prolonger le temps de cuisson. Cela pourrait nuire aux résultats de cuisson. Si vous devez ouvrir la porte du four, entrouvrez-la (de 7 à 10 cm, soit 3 ou 4 po) et fermez-la aussi rapidement que possible.
- Le rôtissage est un mode de cuisson par chaleur sèche. Vous pouvez rôtir les viandes et les volailles tendres à découvert dans votre four. Les températures de rôtissage, qui doivent être basses et stables, contribuent à réduire au minimum les éclaboussures. Lors du rôtissage, il n'est pas nécessaire de saisir, badigeonner ou couvrir les viandes, ni d'y ajouter de l'eau.
- Il est possible de rôtir les pièces de bœuf, porc, agneau, etc., surgelées sans les décongeler. Toutefois, il faut prévoir 10 à 25 minutes de cuisson supplémentaires par livre de viande (10 minutes par livre pour les rôtis de moins de 5 lb; période plus longue pour les plus gros rôtis).
- La plupart des volailles surgelées doivent être décongelées avant le rôtissage afin de garantir une cuisson uniforme. Certaines volailles surgelées du commerce peuvent être cuites de manière satisfaisante sans décongélation préalable. Suivez les directives figurant sur l'emballage.

# DIRECTIVES D'UTILISATION

## UTILISATION DE L'HORLOGE, DE LA MINUTERIE, ET DE LA PRISE CONFORT (sur certains modèles)

### **POUR RÉGLER L'HORLOGE**

1. Appuyez sur la touche CLOCK (horloge) et maintenez-la enfoncée pendant 3 secondes, jusqu'à ce que l'écran se met à clignoter.
2. Appuyez sur les touches « + » ou « - » jusqu'à ce que vous atteignez le temps désiré.
3. Lorsque vous relâchez la touche « + » ou « - », le temps sera établi.

### **POUR RÉGLER LA MINUTERIE**

1. Appuyez sur la touche TIMER (minuterie) et maintenez-la enfoncée jusqu'à ce que l'écran se met à clignoter.
2. Appuyez sur les touches « + » ou « - » jusqu'à ce que le temps désiré apparaisse sur l'afficheur. La durée maximale que vous pouvez inscrire en minutes est 59 (0:59). Vous devez convertir toute durée supérieure à 59 minutes en heures et minutes (i.e. 1 heure et 5 minutes, 1:05). La durée maximale que vous pouvez sélectionner est 9 heures et 50 minutes (9:50).
3. Lorsque vous relâchez la touche « + » ou « - », le temps désiré sera établi. Cela sera indiqué par le fait que l'afficheur vert à côté de la touche « TIMER » (minuterie) arrêtera de clignoter.
4. Quand la minuterie atteint 0:00, le tableau de commande émet un signal sonore. Appuyez sur la touche TIMER (minuterie) pour arrêter la fonction de la minuterie.

*En cas d'erreur, appuyez encore une fois sur la touche TIMER (minuterie) et recommencez.*

### **POUR RÉGLER LA MINUTERIE DE NOUVEAU**

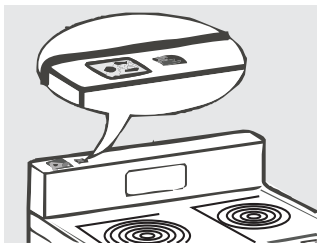
Si l'afficheur indique encore la durée restante, vous pouvez la changer en appuyant une fois sur la touche « + » ou « - » jusqu'à ce que la durée désirée apparaisse sur l'afficheur.

### **POUR ANNULER LA MINUTERIE**

Appuyez une fois sur la touche TIMER (minuterie)

### **PRISE CONFORT (sur certains modèles)**

Vous pouvez utiliser la prise confort de 120V située en haut du dossier de protection pour brancher des petits appareils électroménagers.



Quand vous utilisez cette prise, assurez-vous que le cordon d'alimentation ne se trouve pas à proximité ou sur un élément de surface. Vous endommagerez le cordon d'alimentation en allumant l'élément de surface.

Pour réenclencher le disjoncteur, appuyez sur le commutateur situé près de la prise en haut du dossier de protection.

# DIRECTIVES D'UTILISATION

## RÉGLAGE DU THERMOSTAT DU FOUR – FACILE À RÉALISER VOUS-MÊME

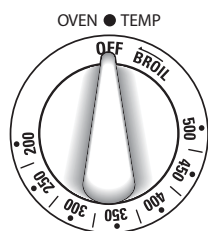
Vous constaterez peut-être que le rendement de cuisson de votre nouveau four est différent de celui de votre ancien four. Utilisez votre nouveau four pendant quelques semaines afin de vous familiariser avec son fonctionnement. Ensuite, si vous croyez toujours que votre four chauffe trop ou pas assez, vous pouvez régler le thermostat vous-même.

N'utilisez des thermomètres, comme ceux vendus dans les épiceries, pour vérifier les réglages de température de votre four. Ces thermomètres peuvent présenter un écart de 20 à 40 °F.

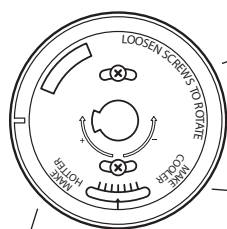
Remarque : Ce réglage ne modifiera pas les températures de la cuisson au gril (« Broil »). Le réglage sera conservé en mémoire après une coupure de courant.

### RÉGLAGE DU THERMOSTAT AVEC CE TYPE DE BOUTON

Réglage de la température du four « OVEN TEMP »



Devant du bouton de réglage de la température du four « OVEN TEMP » (l'apparence du bouton peut varier)



DESSERRER LES VIS POUR TOURNER

POUR DIMINUER LA TEMPÉRATURE

POUR HAUSSER LA TEMPÉRATURE

Arrière du bouton de réglage de la température du four « OVEN TEMP »

1. **Enlevez le bouton de réglage de la température du four « OVEN TEMP » en le tirant vers vous, puis regardez à l'arrière de celui-ci.** Pour effectuer le réglage, dévissez les deux vis à l'arrière du bouton sans les enlever complètement (un tour environ).
2. Alors que le dos du bouton est orienté vers vous, tenez le bord du bouton d'une main et tournez la partie avant de l'autre main

**Pour augmenter** la température du four, déplacez la vis supérieure vers la droite. Vous entendrez un « clic » chaque fois que vous tournez le bouton d'un cran.

**Pour réduire** la température du four, déplacez la vis supérieure vers la gauche.

Chaque cran (« clic ») représente un écart de température d'environ 10 °F (la plage de température est de plus ou moins 60 °F par rapport à la flèche). Nous vous suggérons de déplacer le réglage d'un cran par rapport au réglage d'origine, puis de vérifier la performance du four avant de le modifier de nouveau.

3. **Une fois le réglage effectué,** resserrez les vis afin qu'elles soient bien serrées, mais pas excessivement.
4. Remettez le bouton en alignant le côté plat avec la tige et vérifiez le fonctionnement.

### LE TYPE DE MARGARINE INFLUENCE LES RÉSULTATS DE CUISSON

- La plupart des recettes ont été conçues en intégrant des ingrédients riches en matières grasses, comme le beurre ou la margarine (80 % de matières grasses). Si vous diminuez la quantité de matières grasses, la recette pourrait donner des résultats différents que lors de l'utilisation d'un ingrédient plus gras.
- Il est possible que les gâteaux, tartes, pâtisseries, biscuits et friandises préparées avec un produit à tartiner à faible teneur en matières grasses ne donnent pas de bons résultats. Plus la teneur en matières grasses d'un produit à tartiner est faible, plus ces différences sont apparentes.
- Les normes fédérales exigent que les produits étiquetés « margarine » contiennent au moins 80 % de leur poids en matières grasses. Quant à eux, les produits à tartiner à faible teneur en matières grasses contiennent moins de gras et plus d'eau. La teneur en eau élevée de ces produits à tartiner affecte la texture et la saveur des produits de boulangerie et pâtisserie. Pour obtenir de meilleurs résultats lors de la préparation de vos recettes favorites, utilisez de la margarine, du beurre ou des bâtonnets de margarine contenant au moins 70 % d'huile végétale.

# DIRECTIVES D'UTILISATION

## UTILISATION DU FOUR POUR LA CUISSON AU GRIL

Il est possible que la cuisson au gril avec ce four soit légèrement différente de vos habitudes de cuisson au gril. Ainsi, assurez-vous de lire complètement cette section.

### UTILISATION DU FOUR POUR LA CUISSON AU GRIL

Lors de la cuisson au gril, les aliments sont exposés à la chaleur intense rayonnante de l'élément supérieur du four. La plupart des poissons et des pièces de viande tendres peuvent être cuits au gril. Suivez ces étapes pour réduire au minimum les éclaboussures et la fumée.

1. Si la viande est bordée de gras ou de cartilage, coupez des entailles verticales dans ces parties, en espaçant les incisions d'environ 5 cm (2 po). Vous pouvez enlever une partie du gras si vous le souhaitez, en laissant une couche d'une épaisseur de 3 mm (1/8 po) environ.
2. Déposez la viande sur une grille dans une lèchefrite conçue pour la cuisson au gril. Utilisez toujours une grille afin que le gras s'écoule dans la lèchefrite; autrement, les jus de cuisson pourraient s'échauffer suffisamment pour s'enflammer.
3. Pour la plupart des mets cuits au gril, placez la grille du four à la position C.
4. Fermez la porte. **Il faut toujours fermer la porte lors de la cuisson au gril.**
5. Tournez le bouton de réglage de la température du four « OVEN TEMP » dans le sens des aiguilles d'une montre au réglage « BROIL ». Vous sentirez que le bouton se loge dans un cran lors de la sélection du réglage « BROIL ».
6. Tournez les aliments une seule fois pendant la cuisson.
7. Tournez le bouton de réglage de la température du four « OVEN TEMP » à la position d'arrêt « OFF ». Servez les aliments immédiatement. Pour faciliter le nettoyage, laissez la lèchefrite hors du four afin qu'elle refroidisse pendant votre repas.

### GUIDE DE CUISSON AU GRIL

- Si vous le souhaitez, marinez les viandes ou le poulet avant la cuisson au gril. Vous pouvez aussi badigeonner les aliments avec de la sauce barbecue cinq à dix minutes avant la fin de la cuisson seulement.
- Il est possible de griller les steaks surgelés en plaçant la grille du four à la deuxième position à partir du bas et en augmentant le temps de cuisson indiqué dans ce guide par 1,5 fois, par côté.
- Lorsque vous disposez les aliments sur la lèchefrite, ne laissez pas les bords gras dépasser, puisque le gras fondant salira le four.
- Si la tension d'alimentation de la cuisinière est 208 V, vous pouvez griller les steaks saignants en préchauffant le gril et en plaçant la grille du four à un niveau supérieur.

# DIRECTIVES D'UTILISATION

## UTILISATION DU FOUR POUR LA CUISSON AU GRIL (suite)

### GUIDE DE CUISSON AU GRIL

Aliment	Quantité ou épaisseur	Position de la grille	Temps de cuisson en minutes		Commentaires
			Premier côté	Deuxième côté	
Bacon	½ lb (environ 8 tranches minces)	C	3,5 min	3,5 min	Disposer en une seule couche.
Bœuf haché	1 lb (4 boulettes) Épais. de 1,3 cm à 2 cm (1/2 po à 3/4 po)	C	10 min	7 min	Distancer uniformément.
Tranches de bœuf (à point)	Épais. de 2,5 cm (1 po) 1 à 1,5 lb	C	9 min	9 min	Les steaks dont l'épaisseur est inférieure à 2,5 cm (1 po) sont cuits à point avant le brunissage. Il est recommandé de les frire à la poêle. Couper le gras.
Poulet	1 poulet entier Entre 2 et 2,5 lb, tranché sur la longueur	A	35 min	15 min	Réduire le temps de cuisson de 5 à 10 minutes par côté lorsque le poulet est tranché. Badigeonner chaque côté de beurre fondu. Griller d'abord le poulet avec le côté peau en dessous.
Poisson	Filets de poisson, 1 lb Épais. de 0,6 à 1,3 cm (1/4 à 1/2 po)	C	5 min	5 min	Badigeonner les filets de beurre au citron avant et pendant la cuisson, si souhaité. Préchauffer le gril pour brunir davantage les filets.

## SOINS ET ENTRETIEN

Assurez-vous que l'alimentation électrique est coupée et que toutes les surfaces sont froides avant de nettoyer tout composant de la cuisinière.

Il est important de bien entretenir et nettoyer la cuisinière afin de garantir son fonctionnement efficace et satisfaisant. Respectez soigneusement ces directives lorsque vous prenez soin de votre cuisinière afin de garantir un entretien adéquat et sécuritaire.



### AVERTISSEMENT

#### Risque de renversement

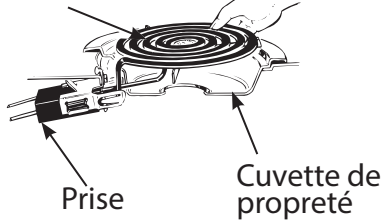
Un enfant ou un adulte pourrait faire basculer la cuisinière, ce qui peut entraîner un décès. Vérifiez que le support antibasculement est bien installé et fixé au plancher ou au mur. Après tout déplacement de la cuisinière, assurez-vous que le support antibasculement est réengagé en faisant glisser le bras antibasculement sous le support.

Ne faites pas fonctionner la cuisinière lorsque le support antibasculement n'est pas en place et engagé. Le non-respect de ces directives peut provoquer des blessures

# SOINS ET ENTRETIEN

## ÉLÉMENTS DE SURFACE ET CUVETTES DE PROPRETÉ

Élément de surface



Pour enlever l'élément, soulevez celui-ci, environ 2,5 cm (1 po) au-dessus de la cuvette de propreté, et tirez-le pour l'extraire.



Remettez la cuvette de propreté dans la cavité sur la cuisinière.

### **Pour remettre un élément de surface :**

- Remettez la cuvette de propreté dans la cavité sur la cuisinière. Assurez-vous que l'ouverture de la cuvette de propreté soit alignée avec la prise.
- Insérez les contacts de l'élément de surface dans la prise, en les faisant passer par l'ouverture de la cuvette de propreté.
- Guidez l'élément de surface en place de manière à ce qu'il repose à plat.

### **Pour nettoyer les cuvettes de propreté :**

- Il est possible de nettoyer les cuvettes de propreté au lave-vaisselle ou à la main. Si vous utilisez un tampon à récurer, frottez doucement pour éviter d'égratigner les cuvettes.
- **Q : Puis-je recouvrir les cuvettes de propreté avec du papier d'aluminium?**
- **R : Non, parce que l'utilisation de papier d'aluminium si près de la prise peut causer l'électrocution ou un incendie, et endommager la cuisinière.**

### **MISE EN GARDE :**

- N'immergez pas les éléments de surface dans un liquide.
- Ne lavez pas les composants de surface dans le lave-vaisselle.
- Ne pliez pas les contacts des éléments de surface.
- Ne tentez pas de nettoyer, de régler ou de réparer la prise de quelque manière que ce soit.

## TABLE DE CUISSON EN PORCELAIN VITRIFIÉE

La surface de porcelaine vitrifiée est solide, mais elle peut se casser si on l'utilise mal. Cette surface résiste aux acides. Cependant, il faut enlever tout aliment acide qui se répand sur cette surface (jus de fruits, tomate ou vinaigre).

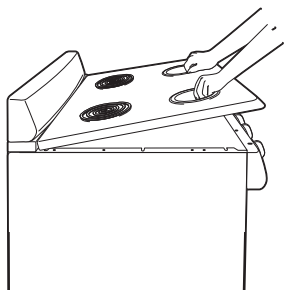
# SOINS ET ENTRETIEN

## GRILLES DU FOUR



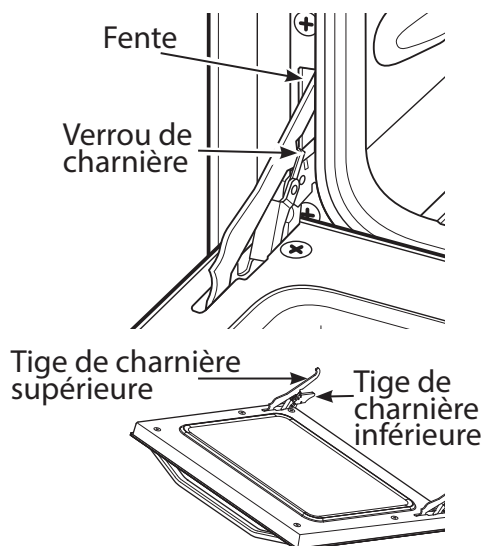
Nettoyez les grilles avec un nettoyant abrasif ou une laine d'acier. Après le nettoyage, rincez les grilles à l'eau propre et séchez-les avec un linge propre.

## TABLE DE CUISSON BASCULANTE



- Nettoyez souvent la surface sous la table de cuisson. Les saletés accumulées, particulièrement les résidus gras, peuvent s'enflammer.
- Pour faciliter le nettoyage, il est possible de soulever et de bloquer la table en position ouverte.
- Assurez-vous que tous les éléments sont éteints avant de soulever la table de cuisson.
- Enlevez le panneau avant et les cuvettes de propreté. Consultez la section **Éléments de surface et cuvettes de propreté**. Saisissez les deux cavités d'élément de surface à l'avant, puis soulevez la table de cuisson. Bloquez la table en position ouverte à l'aide des deux tiges de support fournies.
- Après avoir nettoyé la surface sous la table de cuisson avec de l'eau chaude savonneuse et un chiffon propre, soulevez la table et remettez les tiges de support à leur position de rangement. Abaissez la table de cuisson jusqu'à ce qu'elle s'enclenche. Faites attention de ne pas vous coincer les doigts. Remettez les deux cuvettes de propreté et les deux éléments de surface à l'avant. Consultez la section **Éléments de surface et cuvettes de propreté**.

## PORTE DE FOUR AMOVIBLE



La porte du four est amovible, mais elle est lourde. Vous aurez peut-être besoin d'aide pour enlever et remettre la porte.

### **Pour enlever la porte :**

1. Ouvrez la porte complètement.
2. Tirez les verrous par dessus les tenons de charnière, et ce, des deux côtés.
3. Saisissez fermement les deux côtés de la porte et tirez celle-ci vers vous afin de l'éloigner du four.

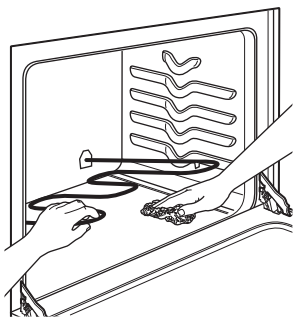
### **Pour remettre la porte :**

1. Saisissez fermement les deux côtés de la partie supérieure de la porte.
2. Insérez et logez les tiges inférieure et supérieure des charnières dans les fentes du four.
3. Enfoncez les verrous de charnière sur les tenons.
4. Fermez la porte et vérifiez son bon fonctionnement. Si la porte ne s'ouvre et ne se ferme pas adéquatement, enlevez-la et remplacez-la de nouveau en suivant les étapes ci-dessus.

**NE TENTEZ PAS DE FERMER LA PORTE AVANT DE TERMINER CETTE ÉTAPE. CELA POURRAIT ENDOMMAGER LA PORTE OU LES CHARNIÈRES.**

# SOINS ET ENTRETIEN

## ÉLÉMENTS CHAUFFANTS DU FOUR



- Ne nettoyez jamais l'élément de cuisson ni l'élément du grill. Tous les résidus disparaîtront en brûlant lors du chauffage des éléments.
- Pour nettoyer la paroi inférieure du four, soulevez doucement l'élément de cuisson. Ne tentez jamais de nettoyer les parois du four lorsque l'un des éléments chauffants est allumé. Portez toujours des gants protecteurs lorsque vous nettoyez les parois internes du four ou les surfaces adjacentes aux éléments chauffants. En cas de débordement ou d'accumulation de résidus et de cendres près de l'élément de cuisson, nettoyez doucement la surface autour de l'élément avec de l'eau tiède.

## PORTE DE VERRE (certains modèles)

- Pour nettoyer la paroi de verre externe, utilisez un nettoyant pour vitres. Rincez et polissez la surface avec un linge sec. Évitez d'égratigner et de frapper la vitre, puisque cela pourrait la casser.

## BOUTONS DE COMMANDE

- Il est possible d'enlever les boutons de commande pour faciliter leur nettoyage.
- Assurez-vous que les boutons sont en position d'arrêt « OFF » et retirez-les des tiges pour les nettoyer.
- Vous pouvez nettoyer les boutons au lave-vaisselle ou avec de l'eau et du savon. Assurez-vous que l'intérieur des boutons est sec avant de les replacer.
- Remplacez les boutons en position d'arrêt « OFF » pour vous assurer qu'ils sont placés correctement.

## SURFACES PEINTES

- Les parois latérales externes, le panneau de commande, la porte et le panneau de bas de porte sont peints. Nettoyez ces surfaces avec de l'eau savonneuse ou avec une solution d'eau et de vinaigre.
- N'utilisez pas un tampon en laine d'acier, des nettoyants commerciaux pour four, ni des nettoyants en poudre ou abrasifs pour nettoyer les surfaces peintes.

## PAROIS INTERNES À REVÊTEMENT ÉMAILLÉ

- Avec de bons soins, les parois internes à revêtement émaillé conserveront une belle apparence pendant de nombreuses années.
- De l'eau savonneuse suffit normalement au nettoyage du four. Il faut utiliser un nettoyant abrasif doux pour nettoyer les éclaboussures et les débordements importants. Vous pouvez également utiliser des tampons à récurer humides et savonneux. Ne laissez jamais des débordements d'aliments acides ou à forte teneur en sucre (comme le lait, les tomates, la choucroute, les jus de fruit ou les garnitures de tartes) sur la surface. Ces résidus peuvent laisser une tache mate, même après le nettoyage.
- L'ammoniaque à usage domestique peut faciliter votre travail de nettoyage. Versez 1/2 tasse d'ammoniaque dans un contenant de verre peu profond que vous laisserez pendant toute la nuit dans le four froid. Les vapeurs d'ammoniaque aident à déloger la graisse et les aliments brûlés.
- Le cas échéant, vous pouvez utiliser un produit nettoyant pour four. Suivez les instructions de l'emballage.

### Mises en garde concernant l'utilisation de nettoyants pour four à pulvériser :

- Ne pulvérisez pas le produit nettoyant sur les commandes et les commutateurs électriques, car cela pourrait provoquer un court-circuit et causer une étincelle ou un incendie.
- Ne pulvérisez pas le produit nettoyant sur les éléments chauffants du four.

## PAROIS INTERNES À REVÊTEMENT ÉMAILLÉ (suite)

### Mises en garde concernant l'utilisation de nettoyeurs pour four à pulvériser :

- Ne laissez pas une couche de nettoyeur s'accumuler sur le capteur thermique – cela peut nuire à la capacité de chauffage du four (le capteur est situé dans la partie supérieure du four). Après chaque nettoyage de four, essayez soigneusement le capteur en prenant bien soin de ne pas le bouger, car tout changement de position peut modifier le processus de cuisson du four.
- Ne pulvérisez aucun nettoyeur pour four sur la paroi externe de la porte, les poignées ou toute paroi externe du four, les armoires et les surfaces peintes. Le nettoyeur peut endommager ces surfaces.

## AVERTISSEMENT RISQUE D'ÉLECTROCUTION ET DE BRÛLURE

*Avant de remplacer l'ampoule de la lampe du four, coupez l'alimentation électrique en enlevant le fusible principal ou en basculant le disjoncteur. Le non-respect de cette directive peut entraîner une électrocution ou des brûlures. Laissez refroidir complètement le dôme protecteur et l'ampoule.*

L'ampoule de la lampe du four est protégée par un dôme en verre amovible, retenu en place par une bride en forme d'étrier. Au besoin, enlevez la porte du four pour atteindre facilement le dôme protecteur.

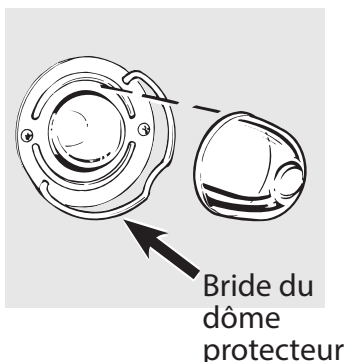
Laissez refroidir complètement le dôme protecteur et l'ampoule.

### Pour enlever le dôme protecteur :

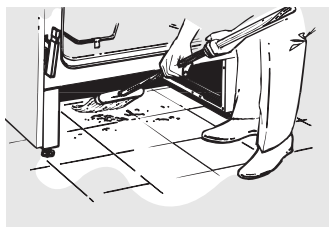
1. Placez votre autre main sous le dôme afin qu'il ne tombe pas lorsqu'il sera dégagé. Avec les doigts de cette main, poussez fermement la bride retenant le dôme. Soulevez le dôme protecteur. **N'enlevez aucune des vis lorsque vous retirez le dôme protecteur.**
2. Ne touchez pas une ampoule chaude avec un linge humide. Remplacez l'ampoule par une ampoule de 40 W pour appareil ménager.

### Pour remettre le dôme protecteur :

1. Insérez le dôme protecteur dans la rainure du logement de l'ampoule. Tirez la bride vers l'avant, jusqu'au centre de la protection, jusqu'à ce qu'elle s'enclenche. Lorsque la bride est en place, elle maintient le dôme protecteur fermement. Vérifiez que la bride est bien logée dans la partie creuse au centre du dôme.
2. Rétablissez l'alimentation électrique de la cuisinière.



## RETRAIT DU TIROIR DE RANGEMENT (sur certains modèles)



Nettoyez sous votre cuisinière.

### Pour enlever le tiroir de rangement :

1. Tirez complètement le tiroir.
2. Faites basculer l'avant et enlevez le tiroir.

### Pour remettre en place le tiroir de rangement :

1. Insérez les rails situés à l'arrière du tiroir en dépassant l'arrêt sur les guides de votre cuisinière.
2. Soulevez le tiroir, le cas échéant, pour le faire entrer plus facilement.
3. Faites redescendre l'avant du tiroir, puis poussez pour le fermer.

# INSTRUCTIONS D'INSTALLATION

## AVANT DE COMMENCER

Lisez soigneusement toutes ces directives.

**IMPORTANT** – Conservez ces instructions pour les donner à l'inspecteur de votre région.

**IMPORTANT** – Respectez toutes les normes et tous les règlements en vigueur.

**Remarque destinée à l'installateur** – Veuillez remettre ces instructions au consommateur.

**Remarque destinée au consommateur** – Conservez ces instructions pour consultation ultérieure.

**Niveau d'aptitude** – L'installation de cet appareil nécessite des compétences élémentaires en mécanique.

**Temps requis pour l'installation** – Entre une et trois heures

L'installateur est responsable de l'installation adéquate de cet appareil.

La garantie ne couvre pas les pannes de l'appareil découlant d'une installation inadéquate.



### AVERTISSEMENT

**CET APPAREIL DOIT ÊTRE MIS À LA TERRE DE FAÇON ADÉQUATE**



### AVERTISSEMENT

**POUR VOTRE SÉCURITÉ :**

Avant de commencer l'installation, coupez l'alimentation électrique au panneau de service et bloquez les dispositifs de sectionnement pour éviter toute remise sous tension accidentelle. Si les dispositifs de sectionnement ne peuvent être bloqués, apposez une note d'avertissement bien visible, comme une étiquette, sur le panneau de service.

#### POUR VOTRE SÉCURITÉ :

- Il faut respecter toutes les dimensions d'espace et de robinetterie brute afin de garantir l'utilisation sécuritaire de votre cuisinière. Il est possible de couper l'alimentation en électricité de la cuisinière à la prise, sans déplacer la cuisinière, si la prise se trouve à l'emplacement définitif (retirez le tiroir inférieur).
- Pour réduire les risques de brûlure ou d'incendie lorsque vous vous penchez au-dessus d'éléments de surface chauds, évitez d'utiliser des armoires de rangement au-dessus de la table de cuisson. S'il y a des armoires de rangement au-dessus de la table de cuisson, vous pouvez réduire les risques en installant une hotte dépassant les armoires d'au moins 12,7 cm (5 po). La profondeur maximale des armoires installées au-dessus d'une table de cuisson ne doit pas excéder 33 cm (13 po).
- Assurez-vous que la cuisinière a été installée et mise à la terre adéquatement par un technicien compétent.
- Assurez-vous que les armoires et le revêtement des murs qui se trouvent à proximité de la cuisinière peuvent résister aux températures générées par la cuisinière (jusqu'à 93 °C/200 °F).

#### DISPOSITIF ANTIBASCULEMENT



### AVERTISSEMENT

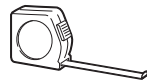
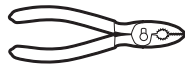
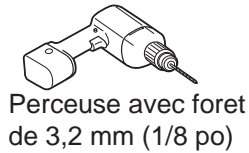
#### Risque de renversement

- Un enfant ou un adulte pourrait faire basculer la cuisinière, ce qui peut entraîner un décès.
- Fixez le support antibasculement au mur ou au plancher.
- Engagez la cuisinière sur le support antibasculement en poussant celle-ci jusqu'à ce que le bras antibasculement glisse sous le support.
- Après chaque déplacement de la cuisinière, réengagez le support antibasculement.
- Le non-respect de ces directives peut provoquer des blessures mortelles ou des brûlures graves chez des enfants et des adultes.

# INSTRUCTIONS D'INSTALLATION

## PRÉPARATION EN VUE DE L'INSTALLATION DE LA CUISINIÈRE

### OUTILS REQUIS



Perceuse avec foret de 3,2 mm (1/8 po)

Clé réglable

Pincettes

Lunettes protectrices

Ruban à mesurer

Crayon

Tournevis à douille de 6,4 mm (1/4 po)

Tournevis à tête cruciforme

Niveau

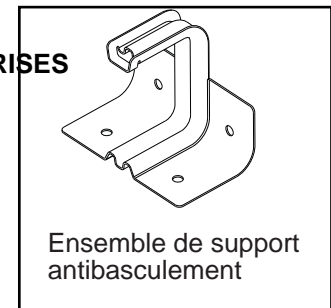
Tournevis à lame plate

### (1) RETIREZ TOUS LES COMPOSANTS D'EMBALLAGE

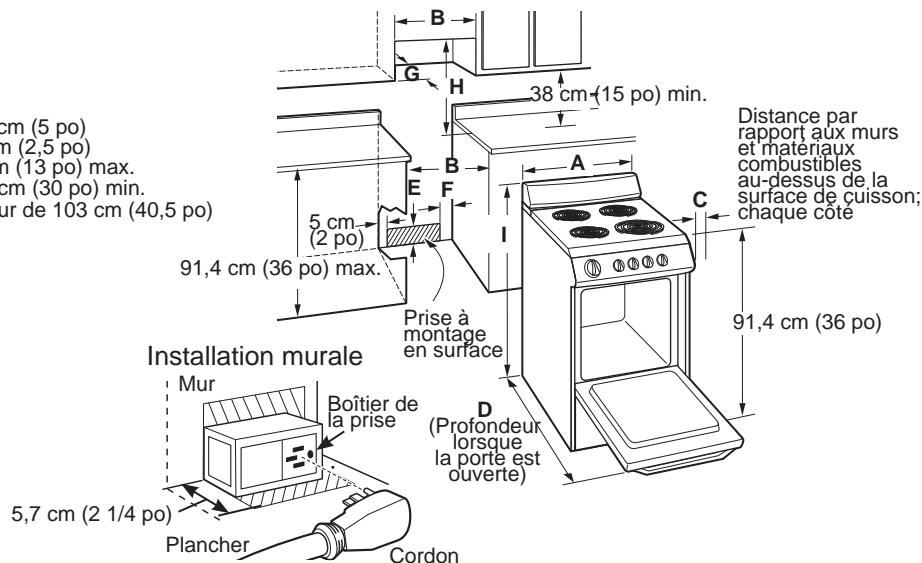
Enlevez tous les composants d'emballage. Le non-respect de cette directive pourrait endommager l'appareil.

### (2) PRÉPAREZ L'OUVERTURE

- Laissez un espace libre de 5 cm (2 po) entre la cuisinière et les murs verticaux adjacents au-dessus de la table de cuisson. Laissez un espace libre d'au moins 76,2 cm (30 po) entre les éléments de surface et le bas de l'armoire supérieure en bois ou en métal sans protection, et d'au moins 38 cm (15 po) entre les éléments de surface et la partie inférieure des armoires adjacentes.
- Pour éliminer les risques de brûlure ou d'incendie lorsque vous vous penchez au-dessus d'éléments de surface chauds, évitez d'utiliser des armoires de rangement au-dessus de la table de cuisson. S'il y a des armoires de rangement au-dessus de la table de cuisson, vous pouvez réduire les risques en installant une hotte dépassant les armoires d'au moins 12,7 cm (5 po). La profondeur maximale des armoires installées au-dessus d'une table de cuisson ne doit pas excéder 33 cm (13 po).



E: 12,7 cm (5 po)  
F: 6,4 cm (2,5 po)  
G: 33 cm (13 po) max.  
H: 76,2 cm (30 po) min.  
I: Hauteur de 103 cm (40,5 po)



Surface de prise électrique acceptable et recommandée. Orientez la prise électrique, de manière à ce que la longueur soit parallèle au sol.

# INSTRUCTIONS D'INSTALLATION

## (2) PRÉPAREZ L'OUVERTURE (suite)

### Revêtement de sol sous la cuisinière

- Comme beaucoup d'autres appareils électroménagers, votre cuisinière est lourde et peut s'enfoncer dans un revêtement de sol mou, dont un tapis ou un revêtement en vinyle coussiné.
- Quand vous déplacez votre cuisinière sur ce type de plancher, vous devez insérer sous l'appareil un panneau de contreplaqué d'une épaisseur de 6 mm (1/4 po) (ou une planche d'un matériau semblable) de la manière suivante :
- Si le revêtement de sol se termine devant la cuisinière, il faut déposer sur la surface qui accueillera l'appareil un panneau de contreplaqué de même niveau ou plus épais que le revêtement de sol. Vous pourrez ainsi déplacer la cuisinière pour la réparer ou la nettoyer.

Modèle	A	B	C	D
Larg. de 50,8 cm (20 po)	50,8 cm (20 po)	53,3 cm (21 po)	5 cm (2 po)	104,1 cm (41 po)
Larg. de 61 cm (24 po)	61 cm (24 po)	63,5 cm (25 po)	5 cm (2 po)	104,1 cm (41 po)

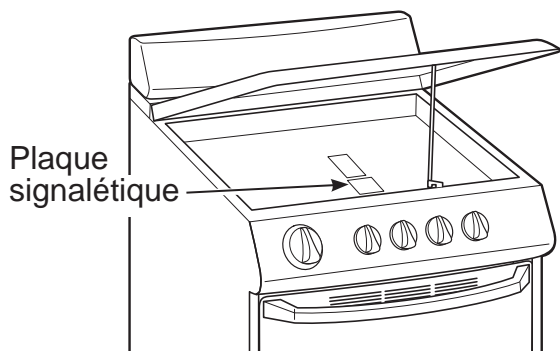
## BRANCHEMENTS ÉLECTRIQUES

### CARACTÉRISTIQUES ÉLECTRIQUES

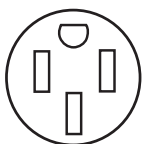
#### MISE EN GARDE

Pour votre sécurité, n'utilisez pas de rallonge électrique avec cet appareil. Retirez le fusible ou coupez le circuit avant de commencer l'installation.

- Cet appareil doit être alimenté par une tension et à une fréquence adéquates. Il doit être branché à un circuit individuel correctement mis à la terre, protégé par un fusible ou un disjoncteur dont l'intensité de courant correspond à celle précisée sur la plaque signalétique. La plaque signalétique est située sous la table de cuisson. Consultez la section Table de cuisson basculante de ce manuel pour lire les directives pour soulever la table de cuisson.



- Nous vous recommandons de confier le câblage et le branchement électriques de votre cuisinière à un électricien compétent. Après l'installation, demandez à l'électricien de vous montrer l'emplacement du sectionneur principal de votre cuisinière.
- Contactez votre fournisseur d'électricité pour connaître les normes électriques en vigueur dans votre région. Tout câblage non conforme aux normes en vigueur peut créer des conditions de fonctionnement dangereuses. S'il n'existe aucune norme en vigueur dans votre région, le câblage et le fusible de votre cuisinière doivent satisfaire les exigences des normes suivantes : norme CSA C22.1 et édition la plus récente du Code canadien de l'électricité, partie 1. Pour obtenir un exemplaire :
- Canadian Standards Association, 178 Rexdale Blvd., Toronto, ON, M9W 1R3, CANADA.
- Cette cuisinière comporte un cordon d'alimentation homologué par la CSA International, conçu pour être branché dans une prise murale 14-50R standard. Assurez-vous que la prise de courant murale est à la portée de l'emplacement définitif de la cuisinière.



# INSTRUCTIONS D'INSTALLATION

## INSTRUCTIONS D'INSTALLATION DU SUPPORT ANTIBASCULEMENT



### AVERTISSEMENT

#### Risque de renversement

- Un enfant ou un adulte pourrait faire basculer la cuisinière, ce qui peut entraîner un décès.
- Fixez le support antibasculement au mur ou au plancher.
- Engagez la cuisinière sur le support antibasculement en poussant celle-ci jusqu'à ce que le bras antibasculement glisse sous le support.
- Après chaque déplacement de la cuisinière, réengagez le support antibasculement.
- Le non-respect de ces directives peut provoquer des blessures mortelles ou des brûlures graves chez des enfants et des adultes.

Afin de réduire les RISQUES DE RENVERSEMENT de la cuisinière, il faut fixer solidement celle-ci à l'aide d'un SUPPORT ANTIBASCULEMENT.

Fixez le support à l'aide des vis fournies. Consultez les instructions d'installation pour obtenir les détails complets avant l'installation.

**REMARQUE** : L'installation du support ANTIBASCULEMENT doit respecter toutes les normes de votre région concernant l'installation fixe de l'appareil.

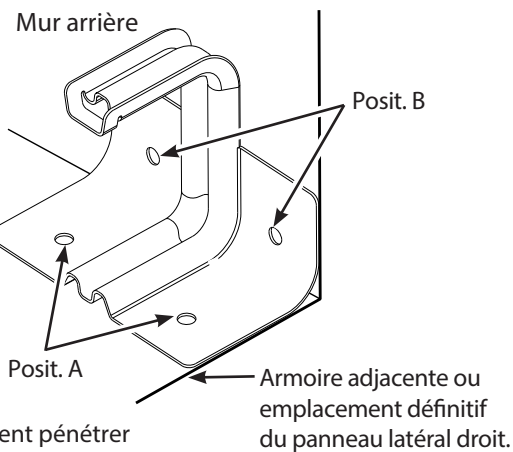
## ÉTAPE 1 – DÉTERMINEZ L'EMPLACEMENT DU SUPPORT



### IMPORTANT:

Déterminez l'emplacement définitif de la cuisinière avant d'installer le support.

- A Placez le support sur le plancher, de manière à ce que l'extrémité arrière repose sur le mur arrière. Si la cuisinière ne touche pas le mur arrière, alignez l'extrémité arrière du support avec le panneau arrière de la cuisinière, à l'emplacement définitif de celle-ci.



Deux vis doivent pénétrer le plancher où le mur à la position A ou B.



### IMPORTANT:

Si le support ne touche pas le mur arrière, vous DEVEZ visser le support au PLANCHER, comme cela est décrit à l'étape 2.

- B Placez le côté du support contre l'armoire à droite. Si la cuisinière n'est pas située près d'une armoire, alignez le côté du support avec le panneau latéral droit de la cuisinière, à l'emplacement définitif de celle-ci. Si le comptoir dépasse de l'armoire, décalez le support de l'armoire à une distance correspondant au surplomb de comptoir.

- C Marquez la position de la paire de trous à percer (voir l'illustration ci-dessus).

**REMARQUE** : Pour l'installation au PLANCHER, utilisez la position A. Pour l'installation au MUR ARRIÈRE, utilisez la position B.

# INSTRUCTIONS D'INSTALLATION

## INSTRUCTIONS D'INSTALLATION DU SUPPORT ANTIBASCULEMENT (suite)

### ÉTAPE 2 – FIXEZ LE SUPPORT

Le support doit être vissé au **PLANCHER** ou au **MUR ARRIÈRE**.

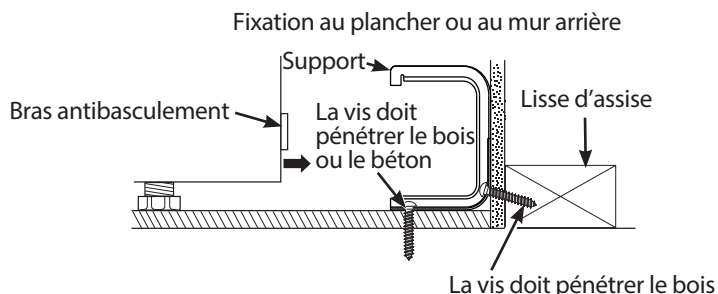
#### **Installation au PLANCHER**

**PLANCHER DE BOIS** : Utilisez les vis fournies pour fixer le support à l'emplacement des deux trous marqués (position A).

**PLANCHER DE BÉTON** : À l'aide d'une mèche à béton, percez un trou pilote de 5/32 po dans le béton, jusqu'à une profondeur de 5 cm (2 po), au centre de chacun des trous marqués (position A). Utilisez les vis fournies pour fixer le support au plancher.

#### **Installation au MUR ARRIÈRE**

Utilisez les deux vis fournies pour fixer le support à l'emplacement des deux trous marqués (position B). Les vis **DOIVENT** pénétrer une lisse d'assise en bois. Si le mur contient un montant de cloison en métal ou un autre matériau similaire, il faut fixer le support au plancher.



### ÉTAPE 3 – VÉRIFIEZ LE SUPPORT

Après l'installation du support, glissez la cuisinière à son emplacement définitif. Pour vérifier si le support est installé et fixé correctement, regardez sous la cuisinière pour voir si le bras antibasculement fixé au panneau latéral est bien engagé dans le support. Il est possible d'enlever le panneau de bas de porte ou le tiroir de rangement de certaines cuisinières pour faciliter l'inspection visuelle. S'il est impossible d'effectuer l'inspection visuelle, faites glisser la cuisinière vers l'avant afin de confirmer que le support antibasculement est solidement fixé au plancher ou au mur. Ensuite, repoussez la cuisinière de manière à ce que le bras antibasculement glisse sous le support antibasculement. S'il faut éloigner la cuisinière du mur, pour quelque raison que ce soit, veuillez toujours répéter ce processus pour vérifier que la cuisinière est bien fixée au support antibasculement.

### **⚠ IMPORTANT :**

**Il faut INSTALLER CORRECTEMENT le support antibasculement pour éviter le renversement de la cuisinière. N'enlevez JAMAIS les pattes de réglage. Le fait d'enlever les pattes de réglage nuira à l'installation adéquate du support ANTIBASCULEMENT.**

# INSTRUCTIONS D'INSTALLATION

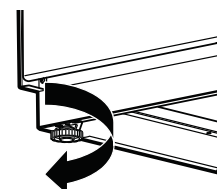
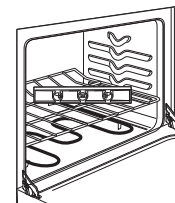
## INSTALLATION DE LA CUISINIÈRE

### MISE À NIVEAU DE LA CUISINIÈRE

Il faut mettre la cuisinière de niveau pour assurer de bons résultats de cuisson. Les pattes de réglage sont situées à chaque coin de la base de la cuisinière.

(A) Installez les grilles de four (consultez la section Utilisation du four pour lire les instructions). Déposez un niveau à bulle ou une tasse à mesurer en verre partiellement remplie d'eau sur l'une des grilles du four. À l'aide d'un niveau à bulle, prenez deux lectures de niveau en plaçant l'outil en position diagonale, soit dans un sens, puis dans l'autre.

(B) Tournez les pattes dans le sens des aiguilles d'une montre pour soulever la cuisinière ou dans le sens contraire des aiguilles d'une montre pour abaisser la cuisinière. Ajustez les pattes de réglage jusqu'à ce que la cuisinière soit de niveau.



### LISTE DE VÉRIFICATION FINALE DE L'INSTALLATION

- Assurez-vous que le disjoncteur est en position fermée (« RESET ») et que les fusibles ont été remis en place.
- Assurez-vous que l'alimentation au bâtiment est sous tension.
- Assurez-vous que tous les composants d'emballage et les rubans adhésifs ont été enlevés. Cela comprend le ruban adhésif sur le panneau métallique derrière les boutons de commande (le cas échéant), tout autre ruban adhésif, les attaches des câbles, les composants de carton et le plastique protecteur. Le non-respect de cette directive pourrait endommager la cuisinière lors de sa mise sous tension et lorsque les surfaces se réchauffent.
- Vérifiez que la porte et le tiroir sont parallèles et qu'ils s'ouvrent et se ferment librement. Si ce n'est pas le cas, consultez le manuel du propriétaire pour des pièces de rechange adéquates.
- Vérifiez que le dispositif antibasculement est installé correctement.
- Assurez-vous que toutes les commandes de la cuisinière sont à la position d'arrêt « OFF » avant de vous éloigner de l'appareil.

# GUIDE DE DÉPANNAGE

Il survient parfois un problème mineur qui ne nécessite pas l'intervention d'un technicien – utilisez ce guide de dépannage pour trouver une solution. Si l'appareil ne fonctionne toujours pas correctement, appelez un centre de service autorisé ou le numéro de téléphone sans frais de Danby (1-800-263-2629) pour obtenir de l'aide.

PROBLÈME	CAUSE POSSIBLE	SOLUTION
Les éléments de surface ne fonctionnent pas adéquatement.	Les éléments de surface ne sont pas bien branchés.	Une fois les commandes à la position d'arrêt « OFF », vérifiez que les éléments de surface sont bien branchés dans la prise.
	Les commandes des éléments de surface ne sont pas réglées adéquatement.	Vérifiez si la commande correspondant à l'élément de surface utilisé sélectionne le réglage adéquat.
	Les cuvettes de propreté ne sont pas solidement fixées dans la table de cuisson.	Une fois les commandes à la position d'arrêt « OFF », vérifiez que les cuvettes de propreté sont logées dans les cavités de la table de cuisson et que l'ouverture des cuvettes est alignée avec la prise.
Le four ne fonctionne pas.	Il est possible que le fusible ait sauté ou que le disjoncteur soit enclenché.	Remplacez le fusible et réinitialisez le disjoncteur.
	La fiche de la cuisinière n'est pas bien insérée dans la prise de courant.	Assurez-vous que la prise est bien branchée dans une prise de courant sous tension et correctement mise à la terre.
	Le réglage de température de la cuisinière n'est pas configuré correctement.	Consultez les sections <i>Utilisation du four</i> .
Les aliments ne grillent pas comme il se doit.	Le réglage de température de la cuisinière n'est pas configuré correctement.	Assurez-vous de tourner le bouton complètement, jusqu'au réglage de cuisson au gril « BROIL ».
	La grille du four est placée à la mauvaise position.	Consultez la section <i>Guide de cuisson au gril</i> .
	Le plat de cuisson utilisé ne convient pas à la cuisson au gril.	Utilisez la grille et la lèchefrite pour la cuisson au gril fournies avec votre cuisinière.
	Le papier d'aluminium recouvrant la grille et la lèchefrite pour la cuisson au gril n'est pas bien ajusté; nous vous recommandons de pratiquer des incisions dans le papier d'aluminium.	Consultez la section <i>Utilisation du papier d'aluminium</i> .
Les aliments ne cuisent pas et ne rôtissent pas comme il se doit.	Le réglage de température de la cuisinière n'est pas configuré correctement.	Consultez la section <i>Utilisation du four pour la cuisson et le rôtissage</i> .
	La grille du four est placée à la mauvaise position ou la grille n'est pas de niveau.	Consultez la section <i>Utilisation du four pour la cuisson et le rôtissage</i> .
	Le temps de préchauffage requis n'a pas été respecté.	Consultez la section <i>Utilisation du four pour la cuisson et le rôtissage</i> .
	Vous utilisez un type de plat de cuisson inadéquat ou dont les dimensions ne conviennent pas à l'utilisation.	Consultez la section <i>Utilisation du four pour la cuisson et le rôtissage</i> .
La lampe du four ne s'allume pas.	L'ampoule de la lampe est lâche.	Resserrez ou remplacez l'ampoule.
	L'interrupteur qui commande la lampe est brisé.	Contactez un technicien.

## GARANTIE LIMITÉE SUR APPAREIL ÉLECTROMÉNAGER À DOMICILE

Cet appareil de qualité est garanti exempt de tout vice de matière première et de fabrication, s'il est utilisé dans les conditions normales recommandées par le fabricant.

Cette garantie n'est offerte qu'à l'acheteur initial de l'appareil vendu par Danby Products Limited (Canada) ou Danby Products Inc. (E.- U.A.) (ci-après « Danby ») ou par l'un des ses distributeurs agréés et elle ne peut être transférée.

### CONDITIONS

Les pièces en plastique sont garanties pendant trente (30) jours seulement à partir de la date de l'achat, sans aucune prolongation prévue.

*Premiers 24 mois* Pendant les premiers vingt-quatre (24) mois, toutes les pièces fonctionnelles de ce produit qui s'avèrent défectueuses seront réparées ou remplacées, selon le choix du garant, sans frais à l'acheteur INITIAL.

*Pour bénéficier du service* Le client sera responsable pour le transport et tous les frais d'expédition de tout appareil exigeant le service au dépôt de service autorisé le plus proche. S'adresser au détaillant qui a vendu l'appareil, ou à la station technique agréée de service la plus proche, où les réparations doivent être effectuées par un technicien qualifié. Si les réparations sont effectuées par quiconque autre que la station de service agréée où à des fins commerciales, toutes les obligations de Danby en vertu de cette garantie seront annulées.

*Limites de l'entretien à domicile* Si l'appareil est installé à plus de 100 kilomètres (62 milles) du centre de service le plus proche, il doit être livré à l'atelier de réparation autorisé par Danby le plus proche, car l'entretien doit uniquement être réalisé par un technicien qualifié et certifié pour effectuer un entretien couvert par la garantie de Danby. Les frais de transport entre votre domicile et le lieu de l'entretien ne sont pas couverts par la présente garantie et doivent être acquittés par l'acheteur.

Aucune partie de la garantie ne prévoit implicitement que le fabricant sera tenu responsable des dommages subis par les aliments ou d'autres types de contenu, qu'ils soient causés par la défectuosité de l'appareil ou par son usage adéquat ou inadéquat.

### EXCLUSIONS

En vertu de la présente, il n'existe aucune autre garantie, condition ou représentation, qu'elle soit exprimée ou tacite, de façon manifeste ou intentionnelle, par Danby ou ses distributeurs agréés. De même, sont exclues toutes les autres garanties, conditions ou représentations, y compris les garanties, conditions ou représentations en vertu de toute loi régissant la vente de produits ou de toute autre législation ou règlement semblables. En vertu de la présente, Danby ne peut être tenue responsable en cas de blessures corporelles ou des dégâts matériels, y compris à l'appareil, quelle qu'en soit les causes. Danby ne peut pas être tenue responsable des dommages indirects dus au fonctionnement défectueux de l'appareil. En achetant l'appareil, l'acheteur accepte de mettre à couvert et de dégager Danby de toute responsabilité en cas de réclamation pour toute blessure corporelle ou tout dégât matériel causé par cet appareil.

### CONDITIONS GÉNÉRALES

La garantie ou assurance ci-dessus ne s'applique pas si les dégâts ou réparations sont dus aux cas suivants :

- 1) Panne de courant.
- 2) Dommages subis pendant le transport ou le déplacement de l'appareil.
- 3) Alimentation électrique incorrecte (tension faible, câblage défectueux, fusibles incorrects).
- 4) Accident, modification, emploi abusif ou incorrect de l'appareil tel qu'une circulation d'air inadéquate dans la pièce ou des conditions de fonctionnement anormales (température extrêmement élevée ou basse).
- 5) Utilisation dans un but commercial ou industriel (à savoir, si l'appareil n'est pas installé dans un domicile résidentiel).
- 6) Incendie, dommages causés par l'eau, vol, guerre, émeute, hostilités, cas de force majeure (ouragan, inondation, etc.).
- 7) Visites d'un technicien pour expliquer le fonctionnement de l'appareil au propriétaire.
- 8) Installation inappropriée (par exemple, encastrement d'un appareil autoportant, ou utilisation extérieure d'un appareil non conçu à cet effet). Une preuve d'achat doit être présentée pour toute demande de réparation sous garantie. Prière de garder le reçu. Pour faire honorer la garantie, présenter ce document à la station technique agréée ou s'adresser à :

**Service sous garantie**  
Service au domicile

Danby Products Limited  
PO Box 1778, Guelph, Ontario, Canada N1H 6Z9  
Téléphone : (519) 837-0920 Télécopieur: (519) 837-0449

**1-800-263-2629**  
04/14

Danby Products Inc.  
PO Box 669, Findlay, Ohio, U.S.A. 45840  
Téléphone: (419) 425-8627 Télécopieur: (419) 425-8629

# BIENVENIDO

Bienvenido a la familia Danby. Estamos orgullosos de nuestros productos de alta calidad y creemos en el servicio confiable. Usted lo podrá apreciar en este manual fácil de usar, y lo escuchará en las voces amistosas de nuestro departamento de servicio al consumidor.

Sobre todo, usted apreciará estas ventajas cada vez que use su unidad. Eso es importante, ya que su nuevo artefacto formará parte de su familia por mucho tiempo.

**Por favor escriba la siguiente información; esta información será necesaria si su unidad requiere servicio o para hacer consultas generales. Para recibir servicio técnico debe mostrar el recibo original.**

Número de Modelo: \_\_\_\_\_

Número de Serie: \_\_\_\_\_

Fecha de la compra: \_\_\_\_\_

## Necesita Ayuda

Antes de solicitar servicio, hay algunas cosas que puede hacer para ayudarnos a servirle mejor...

### Lea este manual:

Contiene instrucciones que lo ayudarán a mantener correctamente su unidad.

### Si usted recibe un artefacto dañado:

Llame inmediatamente al distribuidor (o constructor) que se lo vendió.

### Ahorre tiempo y dinero:

Lea la sección de Diagnóstico de Problemas antes de llamar. Esta sección le ayudará a resolver problemas comunes que pudieran ocurrir. Si necesita asistencia, no se preocupe y llámenos.



Tel: 1-800-26-**Danby**  
(1-800-263-2629)



## ADVERTENCIA:

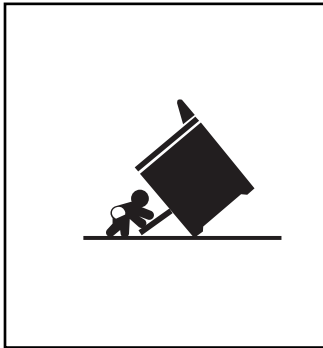
**Lea todas las instrucciones de seguridad antes de utilizar este producto. No seguir estas instrucciones puede generar un incendio, una descarga eléctrica, lesiones corporales o la muerte.**



# INFORMACIÓN IMPORTANTE DE SEGURIDAD

## LEA TODAS LAS INSTRUCCIONES ANTES DE SU USO

### DISPOSITIVO ANTI-VOLCADURAS



## ADVERTENCIA

### Riesgo de Volcaduras

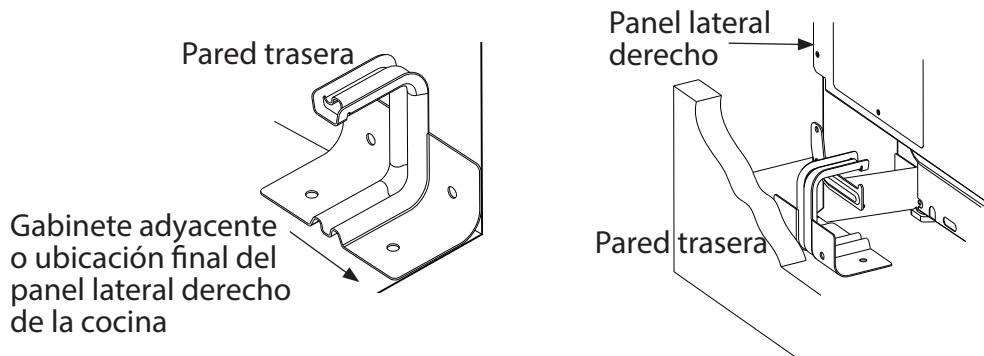
Un niño o adulto pueden volcar la cocina y morir. Verifique que el soporte anti-volcaduras se haya instalado y ajustado correctamente al piso o la pared. Asegúrese de que el soporte anti-volcaduras sea reajustado cuando mueva la estufa deslizando el brazo anti-volcaduras justo debajo del soporte. No utilice la cocina sin que el soporte anti-volcaduras esté colocado y ajustado. Si estas instrucciones no se siguen, como resultado se podrá producir la muerte o quemaduras graves de niños y adultos.

Para reducir el riesgo de volcar la cocina, ésta debe sujetarse mediante un soporte anti-volcaduras con una adecuada instalación. Lea las instrucciones de instalación para un detalle completo antes de comenzar la instalación.

#### Para cocinas independientes:

Para revisar si el soporte está instalado y ajustado de forma apropiada, mire que debajo de la cocina, el brazo anti volteo ensamblado en el lateral, este ajustado al soporte. En algunos modelos, el cajón de almacenamiento o el panel de protección se puede retirar para una inspección más fácil. Si no es posible realizar una inspección visual, deslice la cocina hacia adelante, confirme que el soporte anti-volcaduras esté ajustado de forma segura al piso o la pared, y deslice la cocina hacia atrás de modo que el brazo anti volteo se deslice por debajo del soporte anti-volcaduras.

Si la cocina es expulsada de la pared por alguna razón, siempre repita este procedimiento a fin de verificar que esté asegurada de forma correcta con un soporte anti volcaduras.



**LEA Y SIGA ESTA INFORMACIÓN DE SEGURIDAD CUIDADOSAMENTE  
GUARDE ESTAS INSTRUCCIONES**



# INFORMACIÓN IMPORTANTE DE SEGURIDAD

## LEA TODAS LAS INSTRUCCIONES ANTES DE SU USO



### ADVERTENCIA

#### INSTRUCCIONES GENERALES DE SEGURIDAD

- Use este aparato sólo con el objetivo para el que fue creado, como se describe en este Manual del Propietario.
- Asegúrese de que un técnico calificado realice una correcta instalación y puesta a tierra del artefacto de acuerdo con las instrucciones de instalación provistas.
- No intente reparar o cambiar ninguna pieza de su cocina a menos que esté específicamente recomendado en este manual. Cualquier otro servicio debe realizarlo un técnico calificado.
- Antes de realizar cualquier clase de reparación, desenchufe la cocina o desconecte el suministro eléctrico desde el panel de distribución doméstico quitando el fusible o desconectando el interruptor de circuitos.
- No deje a los niños solos; éstos no deben quedar solos o sin atención en un área donde un aparato esté en uso. Nunca debe permitirse que se suban, sienten o paren en cualquier parte de este aparato.
- PRECAUCION: No almacene elementos de interés para niños sobre una cocina o en la protección trasera de una cocina: los niños que se trepan a la cocina para alcanzar elementos pueden resultar gravemente heridos.
- Sólo use agarraderas secas: las agarraderas húmedas o mojadas colocadas en superficies calientes pueden provocar quemaduras de vapor. Tenga cuidado de no tocar los calentadores con las agarraderas. No utilice toallas u otras telas gruesas en lugar de una agarradera.
- Nunca use su electrodoméstico para calentar la habitación.
- No toque las placas de cocción, las zonas próximas a éstas ni los calentadores y las superficies interiores del horno. Estas superficies pueden estar lo suficientemente calientes para quemar aún cuando tengan un color oscuro. Durante y después del uso, no toque o deje que su vestimenta u otros materiales inflamables entren en contacto con las placas de cocción, áreas cercanas a las placas de cocción o cualquier área interior del horno; deje pasar un tiempo prudencial para que se enfríen. Otras superficies del aparato pueden calentarse lo suficiente como para provocar quemaduras. Las superficies potencialmente calientes incluyen la estufa, las áreas orientadas hacia la estufa, la abertura de ventilación del horno, las superficies cercanas a la abertura y las hendiduras ubicadas alrededor de la puerta del horno.
- No caliente recipientes cerrados de alimentos. Podría haber una acumulación de presión en el recipiente y éste podría explotar, provocando lesiones.
- No utilice papel de aluminio para revestir las bandejas colectoras o ninguna parte del horno, con excepción de lo descrito en este manual. Un uso inadecuado puede provocar daños a la cocina y una descarga eléctrica o un riesgo de incendio.
- Trate de no rayar o golpear las puertas, estufas o paneles de control de vidrio. Si lo hace podría romperse el vidrio. No cocine si un producto tiene un vidrio roto. Puede provocarse una descarga, un incendio o heridas.
- Cocine carnes de res y de ave por completo: Las carnes de res hasta alcanzar una temperatura interna de por lo menos 160°F (71°C) y las carnes de ave a una temperatura interna de por lo menos 180°F (82°C). La cocción a estas temperaturas generalmente protege de enfermedades transmitidas por los alimentos.

## LEA Y SIGA ESTA INFORMACIÓN DE SEGURIDAD CUIDADOSAMENTE GUARDE ESTAS INSTRUCCIONES



# INFORMACIÓN IMPORTANTE DE SEGURIDAD

## LEA TODAS LAS INSTRUCCIONES ANTES DE SU USO



### ADVERTENCIA

#### MANTENGA LOS MATERIALES INFLAMABLES ALEJADOS DE LA COCINA

- No almacene o utilice materiales inflamables dentro de un horno o cerca de la estufa, tales como papel, plástico, agarraderas, telas, recubrimientos de pared, cortinas y gasolina u otros vapores y líquidos inflamables.
- Nunca use vestimentas holgadas o amplias mientras utilice el aparato. Estas vestimentas pueden prenderse fuego si entran en contacto con superficies calientes, provocando quemaduras graves.
- No permita que la grasa de la cocción u otros materiales inflamables se acumulen dentro de la cocina o en su cercanía. La grasa dentro del horno o sobre la estufa puede encenderse.
- Limpie las campanas de ventilación con frecuencia. No debe permitirse la acumulación de grasa en la campana o en el filtro.



### ADVERTENCIA

#### EN CASO DE INCENDIO, SIGA LOS SIGUIENTES PASOS PARA EVITAR LA PROPAGACIÓN DEL FUEGO

- No utilice agua en incendios de grasa. Nunca levante una sartén en llamas. Apague los controles. Apague una sartén en llamas sobre una placa de cocción cubriendo la sartén por completo con una tapa que ajuste bien, una plancha para galletas o una bandeja plana. Utilice un extintor de incendios multiuso de químico seco o un extintor de incendios de espuma.
- Si hay un incendio en el horno durante el horneado, apáguelo cerrando la puerta del horno y apagando el control o usando un extintor de incendios multiuso de químico seco o un extintor de incendios de espuma.
- Si hay un incendio en el horno durante la auto-limpieza, apague el horno y espere a que el incendio se consuma. **No abra la puerta del horno a la fuerza.** El ingreso de aire fresco a temperaturas de auto-limpieza puede provocar una explosión de llamas desde el horno. No seguir esta instrucción puede provocar quemaduras graves.



### ADVERTENCIA

#### INSTRUCCIONES DE SEGURIDAD DE LA ESTUFA

- Nunca deje la cocina sin atención mientras una placa de cocción esta en ON (Encendida). Los alimentos que hierven y se derraman pueden provocar humo y derrames grasos que pueden prenderse fuego.
- Nunca deje aceite sin atención mientras fríe. Si se deja calentar más allá del punto de humeo, el aceite puede encenderse, provocando un incendio que podría propagarse a los gabinetes cercanos. Utilice un termómetro para grasa cuando sea posible para controlar la temperatura del aceite.
- Para evitar el derrame de aceite y un incendio, utilice una cantidad mínima de aceite cuando fría en sartenes poco profundas y evite la cocción de alimentos congelados con una cantidad excesiva de hielo.
- Utilice el tamaño de recipiente adecuado: Elija recipientes con bases planas lo suficientemente grandes para cubrir el elemento calentador de superficie. La utilización de recipientes más pequeños dejará expuesta una porción de la placa de cocción al contacto directo, lo que puede provocar el encendido de sus vestimentas. Una relación adecuada del recipiente con la placa de cocción también mejorará la eficiencia.
- Sólo ciertos tipos de recipientes de vidrio, vidrio/cerámico, cerámica, u otros recipientes vidriados pueden utilizarse sobre la estufa; otros pueden romperse debido al cambio repentino de temperatura.
- Para minimizar la posibilidad de quemaduras, el encendido de materiales inflamables y los derrames, la manija de los recipientes deben girarse hacia el centro de la cocina sin extenderse sobre ninguna placa de cocción cercana.

## LEA Y SIGA ESTA INFORMACIÓN DE SEGURIDAD CUIDADOSAMENTE GUARDE ESTAS INSTRUCCIONES



# INFORMACIÓN IMPORTANTE DE SEGURIDAD

## LEA TODAS LAS INSTRUCCIONES ANTES DE SU USO

### ADVERTENCIA

#### INSTRUCCIONES DE SEGURIDAD DE LA ESTUFA

- Si flambea alimentos bajo la campana, encienda el ventilador.
- Si se corta la corriente de una estufa eléctrica mientras una placa de cocción está en ON (Encendida), la unidad de superficie volverá a ON (Encendida) tan pronto como se recupere la electricidad. En caso de pérdida de corriente, no colocar las perillas de placas de cocción en OFF (Apagado) podrá producir el incendio de los artículos que estén en o cerca de la estufa, y ocasionar lesiones graves o la muerte.

### ADVERTENCIA

#### INSTRUCCIONES DE SEGURIDAD DE LA ESTUFA RADIANTE (algunas modelos)

- Tenga cuidado al tocar la estufa. La superficie de vidrio de la estufa retendrá calor después de que los controles se hayan apagado.
- No cocine sobre una estufa rota. Si la estufa se rompe, las soluciones de limpieza y los derrames pueden penetrar en la estufa rota y crear un riesgo de descarga eléctrica. Comuníquese con un técnico calificado de inmediato.
- Evite rayar la estufa de vidrio. La estufa puede rayarse con elementos tales como cuchillos, instrumentos filosos, anillos u otras joyas, y remaches de la ropa.
- No coloque o almacene elementos que pueden derretirse o prenderse fuego sobre la estufa de vidrio, aún cuando no la esté usando. Si la estufa se enciende en forma accidental, pueden prenderse fuego. El calor proveniente de la estufa o de la ventilación del horno también puede prenderlos fuego, aún si el aparato está apagado.
- Use un limpiador de estufas cerámicas y una esponjilla de limpieza de estufas cerámicas para limpiar la estufa. Espere hasta que la estufa se enfríe y la luz indicadora se apague antes de limpiar. Una esponja o un paño húmedos sobre un superficie caliente pueden producir humos tóxicos si se los aplica a una superficie caliente. **NOTA:** Los derrames de azúcar son la excepción. Éstos deben quitarse mientras están calientes utilizando una agarradera y un raspador. Para instrucciones detalladas, ver la sección Cómo limpiar la estufa de vidrio.
- Lea y cumpla con todas las instrucciones y advertencias de la etiqueta de la crema de limpieza.

### ADVERTENCIA

#### INSTRUCCIONES DE SEGURIDAD DE LA ESTUFA DE BOBINAS (algunas modelos)

- No smerja o remoje las hornillas de superficie desmontables. No las coloque en el lavavajillas. No coloque las hornillas de superficie dentro del horno cuando realice la auto-limpieza. Si lo hace pueden llegar a fallar, provocando un peligro de quemaduras o de incendio.
- Para evitar la posibilidad de una quemadura o descarga eléctrica, siempre verifique que los controles de todas las hornillas de superficie se encuentren en la posición OFF (apagado) y que todas las bobinas estén frías antes de levantar o quitar una hornilla de bobinas.
- Asegúrese de que las bandejas colectoras no estén cubiertas y se encuentren en su lugar. Su ausencia durante la cocción podría dañar las piezas y el cableado de la cocina.
- No utilice papel de aluminio para revestir las bandejas colectoras. El papel de aluminio puede atrapar o reflejar el calor, provocando una descarga eléctrica o un peligro de incendio.

## LEA Y SIGA ESTA INFORMACIÓN DE SEGURIDAD CUIDADOSAMENTE GUARDE ESTAS INSTRUCCIONES



# INFORMACIÓN IMPORTANTE DE SEGURIDAD

## LEA TODAS LAS INSTRUCCIONES ANTES DE SU USO

### ADVERTENCIA

#### INSTRUCCIONES DE SEGURIDAD DEL HORNO

- Manténgase alejado de la cocina cuando abra la puerta del horno. El aire y el vapor calientes que salen de la cocina pueden provocar quemaduras en manos, rostro y/o ojos.
- Mantenga sin obstrucciones la ventilación del horno.
- Mantenga el horno libre de acumulaciones de grasa. La grasa dentro del horno puede prenderse fuego.
- Siempre coloque las bandejas del horno en la posición deseada mientras el horno esté frío. Si la bandeja debe quitarse cuando el horno todavía está caliente, no permita que la agarradera toque el elemento calentador del horno.
- Cuando utilice bolsas de cocción o de asado en el horno, siga las instrucciones del fabricante.
- Tire de la bandeja del horno hasta la posición de tope de detención cuando cargue o descargue alimentos del horno. Esto ayuda a evitar quemaduras por tocar superficies calientes de la puerta y las paredes de horno.
- No deje productos como papel, utensilios de cocina o alimentos en el horno cuando no lo esté usando. Los elementos guardados en el horno pueden prenderse fuego.
- No utilice papel de aluminio para revestir el piso del horno. El papel de aluminio puede atrapar o reflejar el calor, provocando una descarga eléctrica o un peligro de incendio.

### ADVERTENCIA

#### CAJÓN CALENTADOR/ CAJÓN DEL HORNO INFERIOR INSTRUCCIONES DE SEGURIDAD (algunos modelos)

- El objetivo del cajón calentador es mantener alimentos cocidos calientes a la temperatura de servicio. Por debajo de los 140 °F (60°C) puede producirse crecimiento de bacterias en los alimentos. No coloque alimentos fríos en el cajón calentador. No caliente alimentos por más de 2 horas. No seguir estas instrucciones puede provocar enfermedades transmitidas por los alimentos.
- No deje productos de papel, plásticos, comida enlatada o materiales combustibles en el cajón. Pueden prenderse fuego.
- No toque el elemento calentador o la superficie interna del cajón. Estas superficies pueden estar lo suficientemente calientes como para provocar quemaduras.
- Tenga cuidado al abrir el cajón. Abra un poco el cajón y deje salir el aire caliente y el vapor antes de quitar o volver a colocar los alimentos. El aire y el vapor calientes que salen pueden provocar quemaduras en manos, rostro y/u ojos.
- No utilice papel de aluminio para revestir el cajón calentador. El papel metálico es un excelente aislante de calor y atraparé el calor debajo de él. Esto alterará el desempeño del cajón y potencialmente podría provocar un riesgo de incendio.

## LEA Y SIGA ESTA INFORMACIÓN DE SEGURIDAD CUIDADOSAMENTE GUARDE ESTAS INSTRUCCIONES

# OPERACIÓN

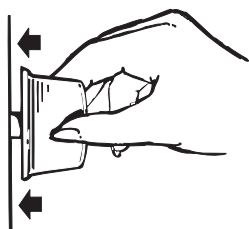
## COMO USAR LOS QUEMADORES SUPERIORES

A lo largo de este manual, las características y la apariencia pueden variar de su modelo.

### CONTROL DE LOS QUEMADORES SUPERIORES

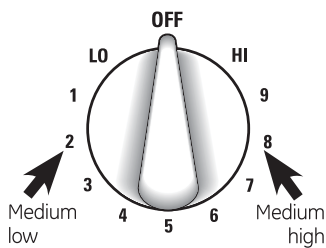
- Los quemadores superiores y las perillas para controlarlos están diseñados para darle una variedad de rangos de temperatura para cocinar.
- En ambas posiciones LO y HI, usted escuchará un pequeño sonido “click”. HI representa la máxima temperatura alcanzada; LO representa la mínima temperatura.
- En una cocina con un funcionamiento tranquilo, es posible que escuche un ligero chasquido que indique que las temperaturas seleccionadas se están manteniendo.
- Cambiar la temperatura a una más alta siempre se mostrará más rápido que al cambiarla a una más baja.

### CÓMO USAR LAS PERILLAS



1. Empuje la perilla de control hacia adentro.
  2. Gire, ya sea a la derecha o a la izquierda, hasta la posición deseada de calor.
- Se debe empujar la perilla hacia adentro sólo para cambiar de la posición “OFF”
  - Cuando la perilla esté en cualquier otra posición que no sea “OFF”, Ud. puede darle vuelta sin empujarla hacia adentro.
  - Asegúrese de poner la perilla en la posición de “OFF” (apagado) cuando termine de cocinar. Un indicador con luz brillará cuando cualquier unidad esté encendida.

### GUÍA PARA TEMPERATURAS



- HI - Alto; Comienzo rápido de cocción; lleva el agua a su punto de ebullición.
- MEDIO ALTO (Medium high) - Freído rápido, asado en sartén; mantiene cantidades grandes de alimentos en ebullición rápida.
- MEDIO - Acitronar y dorar; mantiene cantidades grandes de alimentos en ebullición lenta.
- MEDIO BAJO (Medium low) - Cereal; mantiene a los alimentos a temperaturas adecuadas para ser servidos.
- LO - Cocina después de empezar en HI; cocina con poca agua en sartén tapado. Use para cocinar arroz al vapor.

#### NOTA:

1. En ALTO o en MEDIO ALTO, nunca deje a los alimentos sin atender. Los derrames de líquidos causan humo; los derrames de grasa pueden provocar incendios.
2. En LO, derrita chocolate o mantequilla en un traste pequeño.

### CONSEJOS DE COCCIÓN

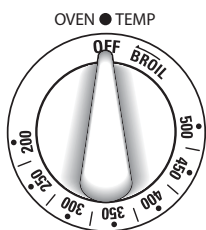
- Use trastes pesados o medianamente pesados. Los utensilios de aluminio conducen calos más rápido que otros metales. Utensilios de acero fundido o peltre son lentos para absorber calor pero cocinan uniformemente a temperaturas bajas o medias. Las ollas de acero pueden cocinar irregularmente si no contienen aleaciones de otros metales.
- No sature las ollas con grasa, ya que esto puede causar derrames cuando añada alimentos. Los alimentos congelados espuman vigorosamente. Cuide los alimentos que frían a altas temperaturas. Mantenga la estufa y la campana aseadas y sin grasa acumulada.
- Para conservar energía, las ollas deben de contar con fondo plano, paredes rectas, y tapas ajustadas. Trate de que el tamaño de su batería se ajuste al tamaño de sus quemadores. Una olla cuyos bordes sobresalen por más de una pulgada los bordes de las charolas del serpentín, atrapa calor, lo que causa la aparición de grietas finas en la porcelana, y decoloración de un tono de azul a gris oscuro en las charolas de cromo del serpentín.

# OPERACIÓN

## USANDO EL HORNO

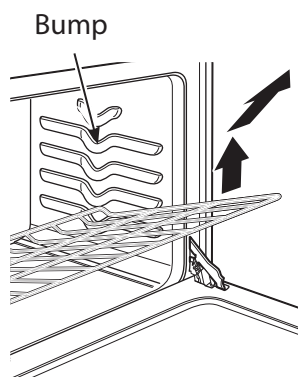
La perilla de temperatura del horno se localiza en el panel de control en el frente de la estufa.

### PERILLA DE TEMPERATURA DEL HORNO



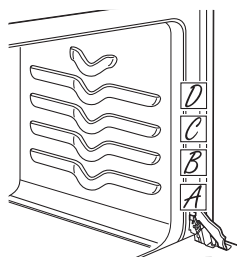
- Gire esta perilla a la configuración deseada.
- La luz indicadora de horno encendido parpadeará hasta que el horno alcance la temperatura deseada, después enciende y apaga junto con las resistencias del horno mientras hornea.

### ANTES DE COMENZAR



- Para evitar posibles quemaduras, coloque las parrillas en la posición deseada antes de encender el horno.
- Cuando están bien colocadas sobre los soportes de parrillas, las parrillas tienen seguros para evitar que salgan por completo del horno y se inclinen.
- Cuando coloque y retire trastes, jale la parrilla hasta que toque el tope de los soportes.
- **Para retirar una parrilla**, jale hacia usted, incline el borde delantero y sáquela del horno.
- **Para reemplazar**, coloque el borde de la parrilla que tiene los seguros en el soporte, incline hacia arriba y empuje hasta que entre por completo al horno.

### POSICIONES DE LAS PARRILLAS DEL HORNO



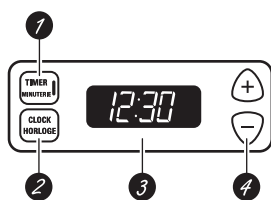
- El horno tiene cuatro soportes para la parrilla - A (abajo), B, C, y D (parte superior).

El horno tiene 4 posiciones para las parrillas.

### PAPEL DE ALUMINIO

- No use papel de aluminio para cubrir el fondo del horno. El aluminio atraparé el calor en la parte inferior y alterará el funcionamiento del horno. El aluminio se puede derretir y dañar de forma permanente el fondo del horno. Cualquier daño por uso inadecuado del aluminio no estará cubierto por la garantía del producto.
- El aluminio se puede usar para retener derrames, colocando una hoja en el estante inferior, varias pulgadas por debajo de la comida. No use más aluminio que el necesario y nunca cubra totalmente un estante del horno con papel de aluminio. Mantenga el aluminio por lo menos a una pulgada y media de las paredes del horno para evitar una mala circulación del calor.

### RELOJ Y CRONÓMETRO (en ciertos modelos)



1. **TIMER Pad (Cronómetro)** :Toque este botón para seleccionar la función de cronómetro.
2. **CLOCK Pad (Reloj)**: Toque este botón antes de establecer la hora del reloj.
3. **Pantalla**: Muestra la hora del día y el tiempo establecido para el cronómetro, tiempo de cocción o el tiempo de inicio.
4. **SET +/- Pads (Botones de +/-)**: Estos botones le permiten establecer la hora del día y el tiempo del cronómetro.

La apariencia puede variar

# OPERACIÓN

## USANDO EL HORNO PARA ASAR Y HORNEAR

Para evitar posibles quemaduras, coloque las parrillas en la posición deseada antes de encender el horno.

### COMO PREPARAR SU HORNO PARA HORNEAR O ASAR

1. Coloque la parrilla o parrillas en el horno. Si cocina en dos parrillas al mismo tiempo, escalone los recipientes para una mejor circulación del calor.
2. Cierre la puerta del horno. Gire la perilla OVEN TEMP en el sentido de las manecillas del reloj a la temperatura deseada. Precaliente el horno al menos 10 minutos si es necesario.
3. Coloque la comida en el centro de la parrilla. Deje al menos 2 pulgadas (5 cm) entre el borde del recipiente u las paredes adyacentes del horno.
4. Revise la cocción de la comida al tiempo mínimo de la receta. Cocine más tiempo si es necesario. Gire la perilla OVEN TEMP a OFF y remueva la comida.

### POSICIONES DE LAS PARRILLAS

- La mayoría de los horneados se realizan en la segunda posición de la parrilla (B) o en la tercera posición (C) del piso.
- Cuando hornee tres o cuatro artículos, use dos parrillas colocándolas en la segunda y cuarta posición del piso de horno (B y D).
- Hornee los pasteles angel en la primera posición de la parrilla (A) del piso de horno.
- Asar se realiza usualmente en la posición (A) del horno.

### PRECALENTAMIENTO

- Precalentar el horno toma cerca de 10 minutos.
- Precaliente el horno solamente cuando sea necesario usualmente para hornear.
- La mayoría de asados se cocinarán satisfactoriamente sin precalentamiento.
- Si considera necesario el precalentamiento, observe la luz indicadora del ciclo de horno, coloque la comida tan pronto como la luz de horno se apague. La luz indicadora de horno encenderá y se apagará con el ciclo del termostato, este cicla para mantener la temperatura del horno.

### TIPS DE ASADO Y HORNEADO

- Siga una receta probada y mida los ingredientes con cuidado. Si está usando una mezcla en paquete, siga las instrucciones de la etiqueta.
- No abra la puerta de horno durante la operación de horneado - el calor se perderá y el tiempo de horneado puede excederse. Esto puede causar como resultado un horneado pobre. Si debe abrir la puerta del horno, ábrala parcialmente solo 3 o 4 pulgadas (7 a 10 cm) - y cierre la puerta tan pronto como sea posible.
- Asar es cocinar con calor seco. Carne de ternera o de aves puede ser asada al descubierto en su horno. Las temperaturas de asado, las cuales deben ser bajas y estables, mantendrán al mínimo las salpicaduras. Durante el asado no es necesario dorar, rociar, cubrir, o agregar agua a su carne.
- Asados congelados de carne de res, cerdo, cordero, etc. se pueden iniciar sin descongelar, pero permitir de 10 a 25 minutos por libra de tiempo adicional. (10 minutos para asados de menos de 5 libras, más tiempo para asados más grandes).
- Descongele las aves más congeladas antes de asar para asegurar el punto de cocción. Algunas aves congeladas comerciales pueden ser cocinadas con éxito sin descongelar. Siga las instrucciones mostradas en la etiqueta del paquete.

# OPERACIÓN

## CÓMO USAR EL RELOJ EL CRONÓMETRO (No todas los modelos cuentan con todas las características)

### CÓMO USAR EL RELOJ

1. Toque el botón de CLOCK (reloj) y manténgala durante 3 segundos, hasta que la pantalla comience a parpadear.
2. Toque los botones de + ó - hasta alcanzar el tiempo deseado.
3. La hora quedará ajustada cuando suelte los botones + o -.

### PARA AJUSTAR EL CRONÓMETRO

1. Toque el botón de TIMER (cronómetro) y manténgala hasta que la pantalla comience a parpadear.
2. Presione los botones de + ó - hasta que la cantidad de tiempo deseada sea mostrada en la pantalla. La cantidad máxima de minutos que puede ser ingresada es 59 (0:59). Si desea ingresar más tiempo, cambie el cronómetro a horas y minutos (i.e. 1 hora y 5 minutos, 1:05). La cantidad máxima que puede ser es 9 horas y 50 minutos (9:50).
3. La hora quedará ajustada cuando suelte los botones + o -. Esto se indica cuando la luz verde que está junto al botón TIMER (cronómetro) deja de parpadear..
4. Cuando el cronómetro llegue a :00, el control dará timbres seguidos para terminar de medir.

*Si comete un error, toque el botón de TIMER (cronómetro) y vuelva a comenzar.*

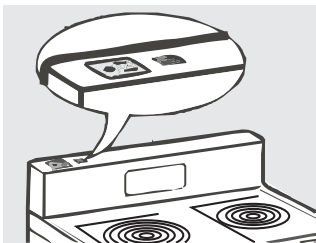
### CÓMO REAJUSTAR EL CRONÓMETRO

Si la pantalla todavía muestra el tiempo restante, puede cambiarlo presionando el botones de + ó - hasta que el tiempo que desea aparezca en la pantalla.

### PARA CANCELAR EL CRONÓMETRO

Toque el botón de TIMER (cronómetro) una vez.

### ENCHUFE DE CONVENIENCIA (algunos modelos)



El enchufe de conveniencia de 120 V ubicado en la parte superior de la cubierta posterior se puede usar para enchufar artefactos eléctricos pequeños.

Al usar el enchufe, verifique que el cable de alimentación no se apoye sobre o cerca de la superficie de la unidad. Si se enciende la superficie de la unidad, el cable se dañará.

Para reiniciar el disyuntor, presione la llave ubicada cerca del enchufe, en la parte superior de la cubierta posterior.

# OPERACIÓN

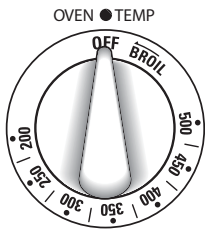
## AJUSTANDO EL TERMOSTATO DE HORNO - HAGALO USTED!

Puede darse cuenta que su nuevo horno cocina diferente al que fue reemplazado. Use el nuevo horno por algunas semanas para familiarizarse con él. Si aun cree que su nuevo horno es demasiado caliente o demasiado frio, usted puede ajustar el termostato.

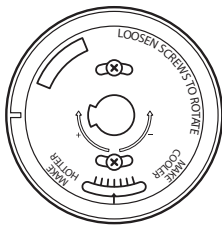
No use termómetros, tales como los que puede encontrar en las tiendas para revisar la temperatura programada de su horno. Estos termómetros pueden variar de 20° a 40°F.

**Nota:** Este ajuste no afectara las temperaturas de asado. El ajuste se mantendra después de una falla en el suministro de energía.

### PARA AJUSTAR EL TERMOSTATO CON ESTE TIPO DE PERILLA



Frente de la perilla de horno  
(la apariencia puede variar)



Respaldo de la perilla de horno

1. **Jale la perilla OVEN TEMP fuera de la estufa y mire la parte posterior.** Para hacer el ajuste, afloje (aproximadamente una vuelta), pero no retire completamente los tornillos en la parte posterior de la perilla.
2. Con el respaldo de la perilla mirando hacia usted, sostenga el babero de la perilla con una mano y gire el frente de la perilla con la otra.

Para incrementar la temperatura del horno, mueva el tornillo superior hacia la derecha. Escuchara un clic en cada muesca que mueva la perilla.

Para disminuir la temperatura, mueva el tornillo superior hacia la izquierda.

Cada clic cambiara la temperatura del horno aproximadamente 10 °F (el rango es mas menos 60°F desde la flecha). Sugerimos que haga el ajuste solo un clic del ajuste original y revise el desempeño del horno antes de hacer ajustes adicionales.

3. **Después de que realizo el ajuste,** apriete los tornillos de tal manera que queden ajustados, pero con cuidado para no apretar demasiado.
4. Reemplace la perilla, haciendo coincidir el área plana de la perilla con el vástago, y revise el desempeño.

### CIERTO TIPO DE MARGARINA PUEDE AFECTAR EL DESEMPEÑO DE HORNEADO!

- La mayoría de las recetas han sido desarrolladas usando grandes cantidades de ingredientes con alto contenido de grasas tales como mantequilla o margarina (80% grasa). Si reduce la cantidad de grasa, podrá obtener resultados distintos a los que obtendría usando una mayor cantidad de grasa.
- Podría haber fallas en su receta si prepara pasteles, galletas o dulces con pasta bajas en grasa. A menor cantidad de grasa, mayores las discrepancias en su receta.
- Los estándares federales requieren que los productos etiquetados como margarina contengan un mínimo de 80% grasa por peso. Los productos bajos en grasa contienen más agua y menos grasa. La humedad de estos productos afecta la textura y el sabor de los alimentos horneados. Para mejores resultados con sus recetas antiguas, use margarina, mantequilla o productos que contengan un mínimo de 70% de grasa vegetal.

# OPERACIÓN

## USANDO EL HORNO PARA ASAR

Asar a la parrilla puede ser ligeramente diferente de cualquier asado a la parrilla con el que este familiarizado, asegúrese de leer esta sección completa.

### *PARA AJUSTAR EL HORNO PARA ASAR*

Asar es cocinar la comida con una radiación intensa de calor de la resistencia superior del horno. La mayoría de pescados y cortes de carne blandos pueden ser asados. Siga estos pasos para mantener las salpicaduras y humo al mínimo.

1. Si la carne tiene grasa o cartílago alrededor del borde, haga cortes verticales con 2" de separación, se desea, recorte la grasa dejando una capa de aproximadamente 1/8" de espesor.
2. Coloque la carne en una charola y tapa asador diseñados para asar. Siempre use la rejilla para que la grasa caiga dentro de la charola, de otra forma los jugos pueden calentarse hasta incendiarse.
3. Coloque la parrilla en la posición C para la mayoría de los asados.
4. Cierre la puerta, **siempre ase con la puerta cerrada.**
5. Gira la perilla del horno **OVEN TEMP** en el sentido de las manecillas del reloj a **BROIL**. Sentira un nicho en la posición de **BROIL** (asar).
6. Gire la comida solo una vez durante el cocinado.
7. Gire la perilla de **OVEN TEMP** a **OFF** (apagado). Sirva la comida inmediatamente, y deje la charola fuera del horno durante la comida para una limpieza mas fácil.

### *GUIA DE ASADO*

- Si desea marine la carne o el pollo antes de asar, o agregue salsas barbecue los ultimos 5 a 10 minutos solamente.
- Los filetes se pueden asar colocándolos una posición abajo en el horno e incrementando el tiempo de cocinado dado en esta tabla por 1.5 veces.
- Cuando acomode la parrilla en la charola, no permita que los bordes grasos cuelguen en los lados debido a que el goteo de grasa ensuciara el horno.
- Si su estufa está conectada a 208 voltios, carnes jugosas pueden ser asadas precalentando el asador y colocando la parrilla una posición más alta.

# OPERACIÓN

## GUIA DE ASADO

Comida	Cantidad o espesar	Posición	Tiempo en minutos		Comentarios
			Primer lado	Segundo lado	
Tocino	230 grms. (cerca de 8 rebanadas delgadas)	C	3½ min.	3½ min.	Acomodelos en una sola capa.
Carne molida	450 grms. (4 empanadas) De 1 a 2.5 cms de espesar	C	10 min.	7 min.	Coloquelos espaciados.
Filete de res (medio)	2.5 cms de espesar De 450 a 575 grms	C	9 min.	9 min.	Filetes de menos de 1" de espesor se cocinara antes de dorarse. Una sartén es recomendada. Corte la grasa.
Pollo	1 completo De 900 a 1,350 grms Haga un corte a lo largo	A	35 min.	15 min.	Reduzca el tiempo cerca 5 a 10 minutos pos lado cortando el pollo. Agregue mantequilla derretida con una brocha, en cada lado. Ase primero el lado sin piel.
Pescado	450 grms de filete De 0.5 a 1 cms de espesor	C	5 min.	5 min.	Maneje y voltee con cuidado. Agregue mantequilla de limon con una brocha antes y durante el cocinado. Si desea precaliente el asador para incrementar el dorado.

## CUIDADO Y MANTENIMIENTO

Asegurese de que la corriente electrica este apagada y todas las superficies esten frias antes de limpiar cualquier parte de la estufa.

El cuidado y limpieza apropiados son importantes para que su estufa le proporcione un servicio eficiente y satisfactorio. Siga estas instrucciones cuidadosamente para el cuidado de su estufa para asegurar un mantenimiento apropiado y seguro.



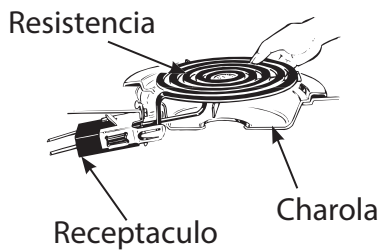
### ADVERTENCIA

#### Riesgo de Volcaduras

Un niño o adulto pueden volcar la cocina y morir. Verifique que el soporte anti-volcaduras se haya instalado y ajustado correctamente al piso o la pared. Asegúrese de que el soporte anti-volcaduras sea reajustado cuando mueva la estufa deslizando el brazo anti-volcaduras justo debajo del soporte. No utilice la cocina sin que el soporte anti-volcaduras esté colocado y ajustado. Si estas instrucciones no se siguen, como resultado se podrá producir la muerte o quemaduras graves de niños y adultos.

# CUIDADO Y MANTENIMIENTO

## QUEMADORES SUPERIORES Y CHAROLAS



Para remover la resistencia, levántela cerca de 1" sobre la charola y jálela hacia afuera.



Reemplace la charola en el hueco de la cubierta.

Para limpiar los quemadores superiores, gire el control hasta el punto más alto por un minuto, las resistencias quemarán cualquier mancha.

### **Para remover un quemador superior:**

- Para remover las charolas para limpieza, primero deben ser removidos las resistencias. Asegúrese de que las resistencias estén frías antes de tocarlas.
- Levante la resistencia cerca de 1" sobre la charola y jálela hacia afuera.
- No levante la resistencia más de 1". Si usted lo hace puede ser que la resistencia no se quede plana cuando la coloque nuevamente.
- **NOTA:** Levantar repetidamente la resistencia más de 1" por encima de la charola puede dañar permanentemente el receptáculo.

### **Para reemplazar el quemador superior:**

- Reemplace la charola dentro del hueco de la cubierta. Asegúrese de alinear la abertura de la charola con el receptáculo.
- Inserte las terminales de la resistencia en el receptáculo a través de la abertura de la charola.
- Guíe la resistencia en su lugar de tal manera que descance uniformemente.

### **Para limpiar las charolas**

- Las charolas pueden limpiarse en el lavavajillas o a mano, si usted usa un estropajo, frote suavemente para evitar rayaduras.
- **Q: Puedo cubrir las charolas con papel aluminio?**
- **A: No, porque usar papel aluminio cerca del receptáculo puede causar un corto circuito, fuego o daño a la estufa.**

### **PRECAUCIÓN**

- No sumerja las resistencias en líquidos de cualquier tipo.
- No limpie las resistencias en el lavavajillas.
- No doble las terminales de las resistencias.
- No intente limpiar, ajustar o reparar el receptáculo.

## CUBIERTA PORCELANIZADA

El acabado de esmalte de porcelana es robusto pero quebradizo si es mal usado. Este acabado es resistente al ácido. Sin embargo, algunos derrames de alimentos ácidos (tales como jugos de frutas, jitomate o vinagre) no deben permanecer en la cubierta.

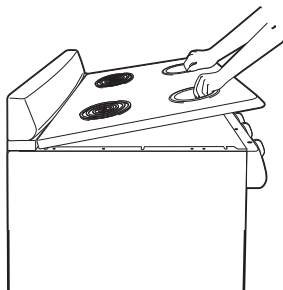
## PARRILLAS DE HORNO



Limpie las parrillas con un limpiador abrasivo o con una fibra. Después de la limpieza, enjuague las parrillas con agua limpia y seque con un paño seco.

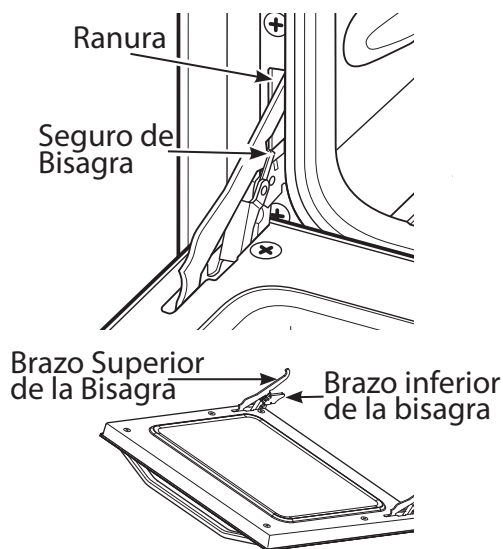
# CUIDADO Y MANTENIMIENTO

## CUBIERTA ABATIBLE



- Limpie el área debajo de la cubierta con regularidad. La suciedad acumulada, en especial la grasa, puede incendiarse.
- Para facilitar el aseo, la cubierta puede levantarse y abrirse.
- Asegúrese de que las resistencias eléctricas estén apagadas antes de levantar la cubierta.
- Retire las resistencias eléctricas y las charolas frontales. Vea la sección Quemadores Superiores y Charolas. Tome la cubierta por los dos agujeros frontales al remover las charolas y levántela, manténgala en esta posición con ayuda de la varilla.
- Después de limpiar con agua jabonosa caliente y un trapo, detenga la cubierta, regrese la varilla a su posición de guardado y baje la cubierta hasta que quede en posición. Tenga cuidado de no pellizcarse los dedos. Coloque nuevamente las dos charolas frontales y las resistencias eléctricas. Vea la sección Quemadores Superiores y Charolas.

## PUERTA REMOVIBLE



La puerta del horno es removible, pero pesada. Puede necesitar ayuda para remover y reemplazar la puerta.

### **Para remover la puerta:**

1. Abra la puerta completamente.
2. Jale los seguros de las bisagras por encima de los ganchos de bisagra en ambos lados.
3. Detenga la puerta firmemente por ambos lados, levante ligeramente y jale hacia usted.

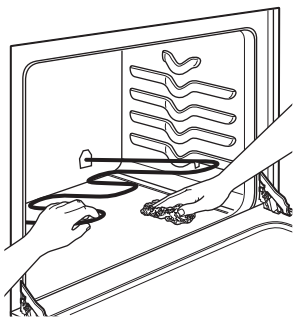
### **Para volver a colocar la puerta:**

1. Detenga la puerta firmemente por ambos lados.
2. Inserte y acomode los brazos superiores e inferiores de las bisagras en las ranuras del horno.
3. Empuje los seguros de las bisagras hacia abajo de los ganchos de bisagra.
4. Cierre la puerta del horno y asegúrese de que funciona sin problemas. Si no funciona apropiadamente, retire la puerta y vuelva a colocarla siguiendo los pasos anteriores.

**NO INTENTE CERRAR LA PUERTA HASTA QUE ESTE PASO ESTÉ COMPLETADO. DE OTRA MANERA, LA PUERTA O LAS BISAGRAS PODRÍAN RESULTAR DAÑADOS.**

# CUIDADO Y MANTENIMIENTO

## RESISTENCIAS DEL HORNO



- No limpie las resistencias de hornear o asar. Cualquier suciedad será quemada cuando las resistencias se calienten.
- La resistencia de hornear puede ser levantada delicadamente para asear el piso del horno. No intente limpiar ninguna superficie del horno cuando cualquier resistencia se encuentre encendida. Siempre use protección en las manos cuando asee superficies internas del horno o superficies que queden cerca de las resistencias eléctricas. Si llegan a acumularse residuos, cenizas o derrames alrededor de la resistencia para hornear, limpie alrededor de este cuidadosamente con agua tibia.

## VENTANA DE VIDRIO (en algunos modelos)

- Para limpiar el acabado exterior del vidrio, use un limpiador de vidrios. Enjuague y saque brillo con un paño seco. Trate de no rayar o golpear la ventana de vidrio. Si lo hace podría romperse el vidrio.

## PERILLAS DE CONTROL

- Para una limpieza más sencilla, las perillas de control pueden quitarse.
- Verifique que las perillas estén en la posición **OFF** (apagado) y sáquelas de los vástagos para la limpieza.
- Las perillas pueden limpiarse en el lavavajillas o también pueden lavarse con jabón y agua. Asegúrese de que la parte interna de las perillas esté seca antes de volver a colocarse.
- Vuelva a colocar las perillas en la posición **OFF** (apagado) para asegurar una colocación correcta.

## SUPERFICIES PINTADAS

- Las superficies pintadas incluyen los lados de la cocina y la puerta, la parte superior del panel de control y el frente del cajón. Límpielas con jabón y agua o con una solución de agua y vinagre.
- No utilice limpiadores de horno comerciales, polvos limpiadores, esponjillas de acero o abrasivos potentes sobre cualquier superficie pintada.

## INTERIOR DEL HORNO DE PORCELANA

- Con el cuidado apropiado, el acabado de esmalte de la porcelana en el interior de horno - parte superior, inferior, costados, parte trasera e interior de la puerta - permanecerá con un aspecto nuevo por años.
- Espere a que el horno se enfríe antes de limpiar. Le recomendamos que use guantes de goma al limpiar el horno.
- El jabón y agua normalmente harán el trabajo. Las salpicaduras y los derrames importantes podrán requerir que la limpieza se realice con un limpiador suave y abrasivo. También se pueden usar estropajos con jabón.
- No permita que los derrames de comida con alto contenido de azúcar o ácido (tal como tomates, chucrut, jugos de fruta o rellenos de tartas) permanezcan en la superficie.
- El amoníaco hogareño puede facilitar el trabajo de la limpieza. Coloque 1/2 taza en un vaso de vidrio o envase de cerámica en un horno frío durante la noche. Los gases del amoníaco ayudarán a aflojar la grasa y la comida quemada.

# CUIDADO Y MANTENIMIENTO

## INTERIOR DEL HORNO DE PORCELANA (Continuación)

De ser necesario, puede usar un limpiador para horno. Siga las instrucciones del paquete.

- No rocíe con un limpiador de horno sobre los controles y enchufes eléctricos, ya que esto podría ocasionar un cortocircuito y producir un incendio.
- No rocíe limpiador directamente sobre los quemadores de horno.
- Evite que una capa del limpiador se acumule en el sensor de temperatura - podría hacer que el horno caliente de forma inadecuada. (El sensor está ubicado en la parte superior de horno). Con cuidado, limpie el sensor luego de cada limpieza del horno, teniendo cuidado de no mover el sensor, ya que un cambio de posición podría afectar la forma de hornear del horno.
- No rocíe ningún limpiador para horno sobre la puerta, manijas o cualquier superficie exterior del horno, gabinetes o superficie pintada. El limpiador puede dañar estas superficies.

## REEMPLAZO DE LA LUZ DEL HORNO (en algunos modelos)

### ADVERTENCIA

### RIESGO DE DESCARGA ELÉCTRICA O INCENDIO

*Antes de reemplazar la lámpara de luz del horno, desconecte la conexión eléctrica del horno del fusible principal o del panel del disyuntor. Si esto no se cumple, se podrá producir una descarga eléctrica o incendio. Asegúrese de dejar que la tapa de la luz y la lámpara se enfríen completamente.*

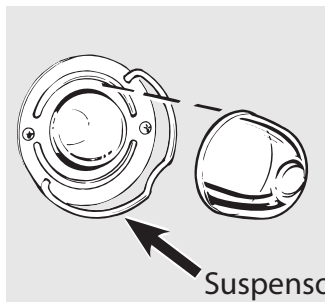
La lámpara de luz del horno está cubierta por una tapa de vidrio extraíble que es sostenida por un cable que la cruza. Retire la puerta del horno, si lo desea, para llegar a la tapa fácilmente.

#### Para retirar la tapa:

1. Sostenga una mano debajo de la tapa de modo que no se caiga al ser liberada. Con los dedos en la misma mano, empuje firmemente el suspensor de la tapa del cable. Levante la tapa. **No retire ningún tornillo para retirar la tapa.**
2. No toque la lámpara caliente con una tela húmeda. Reemplace la lámpara por una para electrodomésticos hogareños de 40 watts.

#### Para reemplazar la tapa:

1. Coloque la misma ranura del receptáculo de la luz. Empuje el cable hacia adelante hasta el centro de la tapa, hasta que entre en el lugar correcto. Una vez en su lugar, el cable sostiene la tapa firmemente. Asegúrese de que el cable se encuentre en la hendidura que está en el centro de la tapa.
2. Conecte el cable de electricidad a la cocina.



Suspensor de la tapa del cable

## CÓMO REMOVER EL CAJÓN DE ALMACENAMIENTO (en ciertos modelos)



Limpie debajo de la estufa

#### Para remover el cajón de almacenamiento:

1. Abra completamente el cajón.
2. Levante la parte delantera y extráigalo.

#### Para volver a colocar el cajón de almacenamiento:

1. Inserte los deslizadores en la parte de atrás del cajón más allá del tope de los deslizadores de la estufa.
2. Levante el cajón si es necesario para insertarlo con mayor facilidad.
3. Deje caer la parte frontal del cajón, después, empuje para cerrar.

# INSTRUCCIONES DE INSTALACIÓN

## ANTES DE COMENZAR

Lea estas instrucciones cuidadosamente.

**IMPORTANTE** - Guarde estas instrucciones para que puedan ser usadas por el inspector local.

**IMPORTANTE** - Cumpla con todos los códigos gubernamentales y ordenanzas.

**Nota para el técnico** - Asegúrese de dejar estas instrucciones en el poder del consumidor.

**Nota para el consumidor** - Guarde estas instrucciones como referencia.

**Nivel de capacidad** - La instalación de este aparato requiere capacidades mecánicas básicas.

**Tiempo de instalación** - 1 a 3 horas.

La instalación apropiada de este aparato es responsa

Las fallas en el aparato que sean causadas por su instalación inapropiada no están cubiertas por la garantía.



### ADVERTENCIA

**ESTE APARATO DEBE DE SER CONECTADO A TIERRA APROPIADAMENTE**



### ADVERTENCIA

### PARA SU SEGURIDAD:

Antes de comenzar la instalación, apague el interruptor de alimentación en el panel de control y bloquee el panel para evitar que el interruptor sea activado por accidente. Si el panel de servicio no se puede bloquear asegure firmemente una forma de advertencia que llame la atención, como una etiqueta en el panel de control.

### PARA SU SEGURIDAD:

- Todas las dimensiones de espacio y aproximadas se deben cumplir para el uso seguro de su cocina. La electricidad de su cocina puede ser desconectada del contacto sin mover la cocina si el contacto está instalado en la ubicación recomendada (quite el cajón inferior).
- Para reducir el riesgo de quemaduras o incendios cuando se extienda el brazo sobre superficies calientes, evite almacenar objetos o alimentos por encima de la cubierta. Si se van a almacenar objetos por encima de la cubierta, el riesgo puede ser reducido instalando una campana para el aparato que sobresalga al menos 5" del borde frontal de las alacenas. Las alacenas que sean instaladas por encima del aparato no deben exceder las 13" de profundidad.
- Asegúrese de que su aparato esté instalado correctamente y conectado a tierra por un técnico calificado.
- Asegúrese de que las alacenas y las cubiertas de las paredes que se encuentren en las cercanías del aparato resistan las temperaturas (hasta 200°F) generadas por el aparato.

### MECANISMO PARA EVITAR LA INCLINACIÓN DEL APARATO



### ADVERTENCIA

#### Riesgo de Volcaduras

- Un niño o adulto pueden volcar la cocina y morir.
- Instale el soporte anti-volcaduras sobre la pared o el piso.
- Asegure la estufa al soporte anti-volcaduras deslizando la estufa de vuelta de tal manera que el brazo anti-volcaduras se deslice por debajo del soporte anti-volcaduras.
- No utilice la cocina sin que el soporte anti-volcaduras esté colocado y ajustado.
- Si estas instrucciones no se siguen, como resultado se podrá producir la muerte o quemaduras graves de niños y adultos.

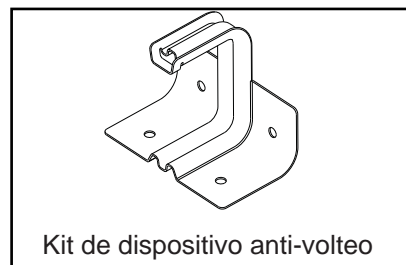
# INSTRUCCIONES DE INSTALACIÓN

## PREPÁRESE PARA INSTALAR EL APARATO

### HERRAMIENTAS QUE NECESITARÁ



### PARTES INCLUIDAS

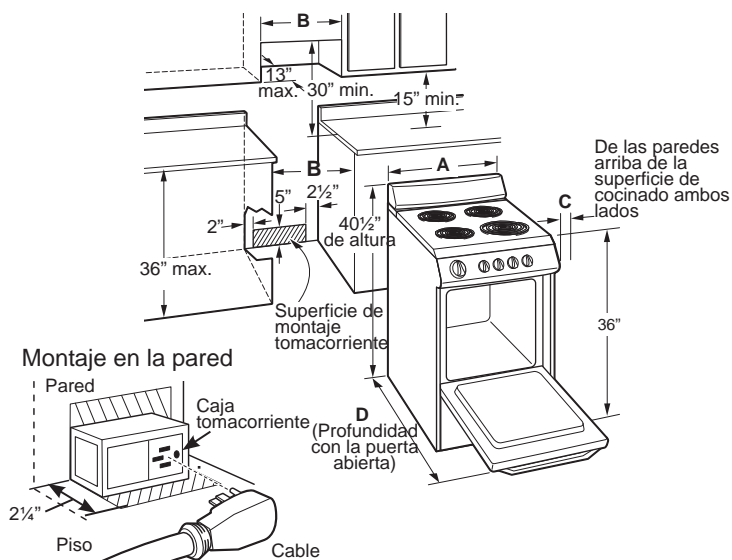


## (1) RETIRE LOS MATERIALES DE EMPAQUE

Retire los materiales de empaque. El no remover los materiales en los que viene empacado el aparato podría resultar en daños al aparato.

## (2) PREPARE LA APERTURA

- Permita 2" de espacio entre el aparato y paredes adyacentes por encima de la superficie de la cubierta. Permita 30" de espacio mínimo entre las unidades de superficie (quemadores) y el fondo de la alacena de madera o metal, y 18" mínimo entre la encimera y el fondo adyacente de la alacena.
- Para reducir el riesgo de quemaduras o incendios cuando se extienda el brazo sobre superficies calientes, evite almacenar objetos o alimentos por encima de la cubierta, el riesgo puede ser reducido instalando una campana para el aparato que sobresalga al menos 5" del borde frontal de las alacenas. Las alacenas que sean instaladas por encima del aparato no deben exceder las 13" de profundidad.



Area adecuada para tomacorriente electrico recomienda. Oriente el contacto de tal manera que el largo sea paralelo al piso.

### Requerimientos de piso para colocar la estufa.

- Su estufa, como otros aparatos domésticos, es pesada, y puede asentarse en pisos suaves como alfombras y vinilo acolchonado.
- Cuando mueva la estufa sobre este tipo de piso, deberá ser instalada sobre una lámina de triplay (o de algún material similar) de 1/4" de la siguiente manera:
- Cuando el material que cubre el piso termine justo frente a la estufa, el área donde la estufa se instalará deberá ser cubierta con triplay a un nivel igual o superior que el material que recubre el piso.

Modelo	A	B	C	D
20" Ancho	20"	21"	2"	41"
24" Ancho	24"	25"	2"	41"

# INSTRUCCIONES DE INSTALACIÓN

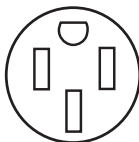
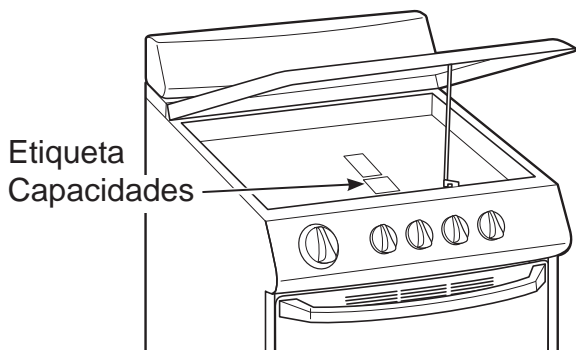
## CONEXIONES ELÉCTRICAS

### REQUISITOS ELÉCTRICOS

#### PRECAUCIÓN

Para su seguridad, no utilice una extensión eléctrica con este aparato. Remueva los fusibles de la casa o el circuito abierto diferencial antes de iniciar la instalación.

- Este aparato debe de recibir el voltaje y la frecuencia apropiados, y debe de ser conectado a tierra apropiadamente, y debe de estar protegido por un interruptor diferencial o fusible que cuente con un interruptor diferencial o fusible que cuente con un amperaje igual al estipulado en la placa de potencias. La etiqueta de capacidades se encuentra debajo de la cubierta. Vea la sección de levantar la cubierta en este manual para las instrucciones de como levantar la cubierta.



- Le recomendamos solicitar a un técnico calificado para la instalación eléctrica de su aparato. Después de instalado el aparato, pida a su técnico que le muestre desde donde puede ser desconectado completamente el aparato.
- Consulte su compañía eléctrica local por las normas eléctricas que correspondan a su área. El no conectar correctamente su horno de acuerdo con las normas gubernamentales podría causar una condición peligrosa. Si no existen normas locales, su cocina deberá contar con cableado y fusible como para cumplir con los requisitos de la norma CSA C22.1, Norma de Electricidad Canadiense, Parte 1, última edición. Puede obtener una copia en:
  - Canadian Standards Association, 178 Rexdale Blvd., Toronto, ON, M9W 1R3, CANADA.
- Este horno viene equipado con un cable de alimentación certificado internacionalmente por CSA, para enchufar en un tomacorriente estándar tipo 14-50R. Verifique que su tomacorriente esté dentro del alcance para la ubicación permanente de su cocina.

## INSTRUCCIONES DE INSTALACIÓN DE SOPORTE ANTI-VOLCADURAS



### ADVERTENCIA

#### Riesgo de Volcaduras

- Un niño o adulto pueden volcar la cocina y morir.
- Instale el soporte anti-volcaduras sobre la pared o el piso.
- Asegure la estufa al soporte anti-volcaduras deslizando la estufa de vuelta de tal manera que el brazo anti-volcaduras se deslice por debajo del soporte anti-volcaduras.
- No utilice la cocina sin que el soporte anti-volcaduras esté colocado y ajustado.
- Si estas instrucciones no se siguen, como resultado se podrá producir la muerte o quemaduras graves de niños y adultos.

Para reducir el RIESGO DE VOLCAR la cocina, ésta debe sujetarse mediante un SOPORTE ANTI-VOLCADURAS con una adecuada instalación. Fije el soporte con los tornillos provistos. Lea las instrucciones de instalación para un detalle completo antes de comenzar la instalación. Lea las instrucciones de instalación para un detalle completo antes de comenzar la instalación.

**NOTA:** La instalación del soporte ANTI-VOLCADURAS debe cumplir con todos los códigos locales para asegurar el aparato.

# INSTRUCCIONES DE INSTALACIÓN

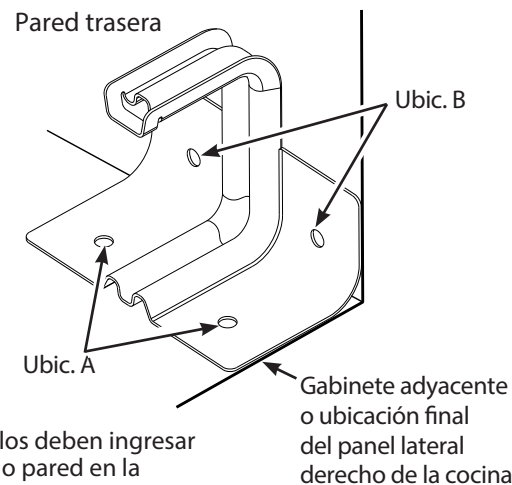
## INSTRUCCIONES DE INSTALACIÓN DE SOPORTE ANTI-VOLCADURAS (Continuación)

### PASO 1 UBIQUE EL SOPORTE

#### **! IMPORTANTE:**

Determine la ubicación final de la cocina antes de tratar de instalar el soporte.

**A** Coloque el soporte en el piso con el lado trasero sobre la pared trasera. Si la cocina no llega a la pared trasera, alinee el lado trasero del soporte con el panel trasero de la cocina en su ubicación final.



#### **! IMPORTANTE:**

Si el soporte no toca la pared trasera, usted **DEBE** atornillar el soporte al PISO como se describe en el Paso 2.

**B** Coloque el lado del soporte sobre el gabinete derecho. Si no hay un gabinete adyacente, alinee el extremo del soporte con el panel lateral derecho de la cocina en su ubicación final. Si el mostrador de encimera sobresale del gabinete, modifique la posición del soporte desde el gabinete considerando la cantidad que sobresale.

**C** Marque la ubicación para el par de orificios que se utilizarán (ver la ilustración de arriba).

**NOTA:** Para instalaciones de PISO utilice la Ubic. A. Para la instalación de PARED TRASERA utilice la Ubic. B.

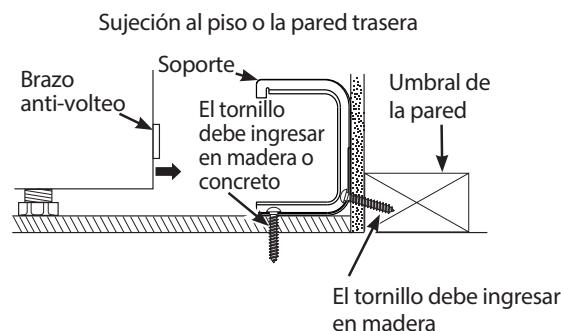
### PASO 2 SUJETE EL SOPORTE

El soporte debe atornillarse al PISO o a la PARED TRASERA.

#### **Instalación de PISO**

**PISO DE MADERA:** Utilice los tornillos provistos para sujetar el soporte utilizando el par de orificios marcados (Ubic. A).

**PISO DE CONCRETO:** Utilizando una broca para concreto, perforo un orificio piloto de 5/32" de 2" de profundidad dentro del concreto en el centro de cada uno de los orificios marcados (Ubic. A). Utilice los tornillos provistos para sujetar el soporte al piso.



#### **Instalación de PARED TRASERA**

Utilice los 2 tornillos provistos para sujetar el soporte utilizando el par de orificios marcados en Ubic. B. Los tornillos **DEBEN** ingresar en el umbral de madera. Si la pared contiene parantes de metal o materiales similares, entonces debe usarse el piso.

### PASO 3 VERIFIQUE EL SOPORTE

Luego de instalar el soporte, deslice la cocina hasta su posición final. Para revisar si el soporte es instalado y ajustado de forma apropiada, mire que debajo de la cocina el brazo anti volteo, ensamblado en el lateral, este ajustado al soporte. En algunos modelos, el cajón de almacenamiento o el panel de protección se puede retirar para una fácil inspección. Si no es posible realizar una inspección visual, deslice la cocina hacia adelante, confirme que el soporte anti-volcaduras esté ajustado de forma segura al piso o la pared, y deslice la cocina hacia atrás de modo que el brazo anti volteo se deslice por debajo del soporte anti-volcaduras. Si la cocina es expulsada de la pared por alguna razón, siempre repita este procedimiento a fin de verificar que esté asegurada de forma correcta con un soporte anti volcaduras. Nunca elimine las patas niveladoras, ya que de ser así la cocina no estará adecuadamente asegurada por el dispositivo anti volcaduras.

# INSTRUCCIONES DE INSTALACIÓN

## INSTRUCCIONES DE INSTALACIÓN DE SOPORTE ANTI-VOLCADURAS (Continuación)

### **IMPORTANTE:**

El soporte anti-volcaduras debe **INSTALARSE DE MANERA CORRECTA** para evitar que la cocina vuelque. **NUNCA** quite las patas de nivelación. Esto no permitirá que la cocina quede bien sujeta al soporte ANTI-VOLCADURAS.

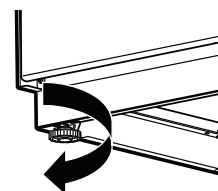
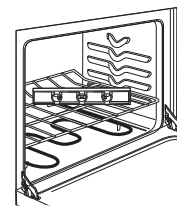
## INSTALE LA ESTUFA

### NIVELE LA ESTUFA

Para un apropiado horneado y cocinado, la estufa debe estar nivelada. Las patas niveladoras están localizadas en cada esquina de la base de la estufa.

(A) Instale las parrillas de horno (vea la sección de usando el horno). Ponga un nivel de burbuja o una taza, parcialmente llena de agua, en una de las parrillas del horno. Si usa un nivel de gota, tome dos lecturas - con el nivel colocado diagonalmente primero en una dirección y luego en otra.

(B) Gire las patas niveladoras en el sentido de las manecillas del reloj para levantar la estufa y en sentido contrario de las manecillas del reloj para bajar la estufa. Ajuste la altura de las patas niveladoras hasta nivelar la estufa.



### LISTA DE REVISION FINAL DE LA INSTALACIÓN

- Revise que el circuito interruptor esté reestablecido o qué los fusibles se hayan reemplazado.
- Verifique qué haya corriente eléctrica suministrada al edificio.
- Asegúrese que todos los materiales de empaque y las cintas adhesivas han sido removidos. Esto incluye las cintas colocadas bajo el frente de perillas (si aplican), cintas adhesivas, amarres de cables, cartones y plástico protector adherido a las superficies metálicas. Si no se retiran estos materiales, pueden causar daño a la estufa una vez que sea encendida y las superficies se calienten.
- Verifique y asegure qué la puerta y el cajón sean paralelos uno respecto del otro. Y qué ambos operen suavemente. Si no es así, refiérase al manual del Usuario para colocarlos adecuadamente.
- Verifique y asegure qué el dispositivo anti-volteo esté instalado apropiadamente y qué la estufa este enganchada para garantizar que no se voltee.
- Asegúrese de que todos los controles de la cocina se encuentren en la posición OFF (Apagado) antes de alejarse de la cocina.

# DIAGNÓSTICOS DE PROBLEMAS

A menudo, un problema es menor y quizás no sea necesario llamar para obtener servicio. Utilice esta guía de resolución de problemas para encontrar una posible solución. Si la unidad continúa funcionando de manera incorrecta, llame a un centro de servicio autorizado o al número gratuito de Danby 1-800-263-2629 para recibir asistencia.

PROBLEMA	POSIBLE CAUSA	SOLUCIÓN
Las resistencias eléctricas no funcionan apropiadamente.	Las resistencias eléctricas no están bien conectadas.	Con las perillas apagadas revise que las resistencias eléctricas estén insertadas adecuadamente en el receptáculo.
	Las perillas están colocadas inadecuadamente.	Revise que la perilla esté colocada adecuadamente para la resistencia que intenta usar.
	Las charolas para derrames no están bien colocadas en la estufa.	Con las perillas apagadas, revise que la charola para derrames esté en el hueco y que la apertura esté alineada con el receptáculo.
El horno no funciona.	Un fusible en su casa está quemado o el interruptor bajado.	Reemplace el fusible o cierre el interruptor nuevamente.
	El cable no está bien conectado a la corriente eléctrica.	Asegúrese que el cable está conectado a un contacto aterrizado a tierra.
	Los controles de horno no están ajustados correctamente.	Vea la sección de cómo usar el horno.
La comida no se asa apropiadamente.	Los controles de horno no están ajustados correctamente.	Asegúrese de girar la perilla totalmente hasta la posición <b>BROIL</b> (Asar).
	La posición de la bandeja es incorrecta.	Vea la guía de Asado.
	Sartén no apropiado para asar.	Use la tapa y charola asador con las que cuenta su estufa.
	El papel aluminio usado en la charola para asar y en la rejilla, no ha sido bien colocado y cortado como se ha recomendado.	Vea la sección como usar el papel aluminio.
La comida no se hornea o asa apropiadamente.	Los controles de horno no están ajustados correctamente.	Vea la sección de usar el horno para asar o hornear.
	Posición inapropiada de la parrilla o no está nivelada.	Vea la sección de usar el horno para asar o hornear.
	No fue realizado el precalentamiento necesario.	Vea la sección de usar el horno para asar o hornear.
	Sartén incorrecto o medida inapropiada siendo usada.	Vea la sección de usar el horno para asar o hornear.
La luz del horno no funciona	La lámpara está floja o presenta defectos.	Ajuste o cambie la lámpara.
	El interruptor de funcionamiento de la luz está rota.	Llame al servicio técnico.

# GARANTÍA LIMITADA PARA ELECTRODOMÉSTICO

Este producto de calidad está garantizado contra defectos de fabricación, incluyendo partes y mano de obra, siempre y cuando la unidad se utilice bajo las condiciones normales de funcionamiento para las que fue diseñado. Esta garantía está solamente disponible para la persona que haya comprado originalmente esta unidad directamente de Danby Products Limited (Canada) o Danby Products Inc. (U.S.A.) (en adelante "Danby") o uno de sus distribuidores autorizados, y no es transferible.

## CONDITIONS

Las piezas plásticas, se autorizan por treinta (30) días solamente a partir de la fecha de la compra, sin las extensiones proporcionadas.

- Primeros 24 meses* Durante los primeros 24 meses, cualquier parte en buen estado de este producto que resulte defectuosa, incluyendo cualquier sistema sellado, será reparado o reemplazado, a opción del fabricante, sin cargo para el comprador ORIGINAL.
- Para obtener servicio* Danby se reserva el derecho de limitar la cobertura de "Servicio en Domicilio" sujeto a la proximidad de un Taller de Servicio Autorizado. Para todo artefacto que requiera servicio fuera del área limitada de "Servicio en Domicilio", el cliente será responsable por transportar dicho artefacto hasta el Taller de Servicio Autorizado más cercano. Consulte "Límites del servicio técnico a domicilio", a continuación. Comuníquese con el distribuidor donde haya comprado la unidad, o llame al Taller de Servicio Autorizado más cercano, donde debe ser reparada por un técnico calificado. Si esta unidad es reparada en otro lugar que no sea un Taller de Servicio Autorizado, o si la unidad se utiliza para aplicaciones comerciales, Danby no se hará responsable de ninguna forma y la garantía será anulada.
- Límites del servicio técnico a domicilio* Si el electrodoméstico está instalado en un lugar que se encuentra a 100 kilómetros (62 millas) o más del centro de servicios más cercano, se debe llevar la unidad al Centro de servicios Danby autorizado más cercano, ya que dicho servicio sólo puede realizarlo un técnico calificado y certificado por Danby para prestar servicios de garantía. Los cargos por transporte desde y hacia el lugar en que se efectúe el servicio técnico no están cubiertos por esta garantía y son de responsabilidad del comprador.

Nada dentro de esta garantía implica que Danby será responsable por cualquier daño que hayan sufrido los alimentos u otros contenidos de este aparato, ya sea debido a un defecto del aparato, o su uso, adecuado o inadecuado.

## EXCLUSIONES

Salvo lo aquí indicado por Danby, no existen otras garantías, condiciones o representaciones, explícitas o implícitas, concretas o intencionales por parte de Danby o sus distribuidores autorizados y todas las demás garantías, condiciones o representaciones, incluyendo cualquier garantía, condiciones o representaciones bajo cualquier Acta de Venta de Productos o legislación o estatuto similar, quedan de esta forma expresamente excluidas. Salvo lo aquí indicado, Danby no serán responsables por ningún daño a personas o bienes, incluyendo la propia unidad, sin importar su causa, o de ningún daño indirecto causado por el desperfecto de la unidad, y al comprar esta unidad, el comprador acepta por la presente, indemnizar y proteger a Danby contra cualquier reclamo por daños a personas o bienes causados por la unidad.

## CONDICIONES GENERALES

No se considerará ninguna de estas garantías o seguros cuando el daño o la necesidad de reparación sea el producto de los siguientes casos:

- 1) Falla del suministro eléctrico.
- 2) Daños en tránsito o durante el transporte de la unidad.
- 3) Alimentación incorrecta, como bajo voltaje, instalación eléctrica defectuosa o fusibles inadecuados.
- 4) Accidente, modificación, abuso o uso incorrecto del artefacto, tal como insuficiente ventilación del ambiente o condiciones de operación anormales (temperatura ambiente extremadamente alta o baja).
- 5) Utilización comercial o industrial (v.g., si el electrodoméstico no está instalado en una vivienda particular).
- 6) Incendio, daños por agua, robo, guerra, disturbios, hostilidades, actos de fuerza mayor como huracanes, inundaciones, etc.
- 7) Pedidos de servicio debido a desinformación del usuario.
- 8) Instalación inadecuada (v.g., instalación empotrada de un electrodoméstico diseñado como unidad independiente o uso de un electrodoméstico al aire libre que no esté aprobado para dicho fin).

Para acceder a la garantía se solicitará un comprobante de compra; por lo tanto, guarde su recibo. En caso de necesitar servicio de garantía, presente ese documento al TALLER DE SERVICIO AUTORIZADO.

**Servicio de Garantía**  
Servicio en Domicilio

Danby Products Limited  
PO Box 1778, Guelph, Ontario, Canada N1H 6Z9  
Telephone: (519) 837-0920 FAX: (519) 837-0449

**1-800-263-2629**  
04/14

Danby Products Inc.  
PO Box 669, Findlay, Ohio, U.S.A. 45840  
Telephone: (419) 425-8627 FAX: (419) 425-8629

**FOR YOUR SAFETY:** Read these instructions carefully before operating the unit.

**POUR VOTRE SÉCURITÉ:** Lire attentivement ces instructions avant d'utiliser l'appareil.

**PARA SU SEGURIDAD:** Lea y observe todas las reglas de seguridad y las instrucciones de operación antes de usar este producto.

### COMPACT ELECTRIC RANGE

All repair parts are available for purchase or special order when you visit your nearest service depot. To request service and/or the location of the service depot nearest you, call the TOLL FREE number.

When requesting service or ordering parts, always provide the following information:

- Product Type
- Model Number
- Part Number
- Part Description

### ESTUFAS ELECTRICAS COMPACTAS

Todas las piezas de reparación disponibles para la compra o la orden especial cuando usted visita su depósito más cercano del servicio. Para pedir servicio y/o la localización del depósito del servicio lo más cerca posible a usted, llama Danby gratis.

Al pedir servicio o pidiendo piezas, proporcione siempre la información siguiente:

- Tipo de producto
- Número de modelo
- Número de pieza
- Descripción de la parte

### CUISINIÈRE ÉLECTRIQUE COMPACTE

Toutes les pièces de rechange ou commandes spéciales sont disponibles à votre centre de service régional autorisé. Pour obtenir le service et/ou la localité de votre centre de service régional, signalez le NUMÉRO D'APPEL SANS FRAIS.

Ayez les renseignements suivants à la portée de la main lors de la commande de pièce ou service:

- Type de produit
- Numéro de modèle
- Numéro de pièce
- Description de la pièce



**Simplicity**

MODEL • MODÈLE • MODELO  
SER241WC

- OWNER'S USE AND CARE GUIDE
- GUIDE D'UTILISATION ET D'ENTRETIEN
- GUÍA DE UTILIZACIÓN Y CUIDADO PARA EL PROPIETARIO

Printed in Mexico  
Imprimé au Mexique  
Impreso en México