





## Operating and installation instructions Freezer



To avoid the risk of accidents or damage to the appliance it is **essen-  
tial** to read these instructions before it is installed and used for the  
first time.

# Contents

---

<b>Warning and Safety instructions</b> .....	4
<b>Caring for the environment</b> .....	13
<b>Saving energy</b> .....	14
<b>Guide to the appliance</b> .....	16
Control panel.....	16
Symbols.....	17
<b>Accessories</b> .....	19
Accessories supplied .....	19
Optional accessories.....	19
<b>Switching on and off</b> .....	21
Before using for the first time.....	21
Cleaning the appliance.....	21
Operating the refrigeration appliance.....	21
Switching off for longer periods of time .....	22
<b>The correct temperature</b> .....	23
Temperature display .....	23
Setting the temperature.....	23
<b>Using Super freeze</b> .....	25
<b>Temperature and door alarm</b> .....	26
Temperature alarm.....	26
Switching the temperature alarm off early .....	26
Door alarm.....	27
Switching the door alarm off early .....	27
<b>Selecting further settings</b> .....	28
Safety lock  .....	28
Audible signals  .....	29
Display brightness  .....	30
Sabbath mode  .....	31
<b>Adjusting the interior fittings</b> .....	33
Removing freezer drawers on telescopic runners .....	33
Removing the shelves. ....	33
<b>Freezing and storing food</b> .....	34
Maximum freezing capacity .....	34
Freezing fresh food.....	34
Storing frozen food.....	34

Home freezing .....	35
Storage time for frozen food.....	36
Defrosting frozen goods.....	37
Cooling drinks quickly.....	38
Using accessories .....	38
<b>Automatic defrosting .....</b>	<b>39</b>
<b>Cleaning and care .....</b>	<b>40</b>
Cleaning agents.....	40
Before cleaning .....	41
Removing the telescopic runners.....	41
Cleaning the interior and accessories.....	42
Cleaning the door seal .....	43
Cleaning the ventilation gaps.....	43
<b>Problem solving guide .....</b>	<b>44</b>
<b>Noises .....</b>	<b>52</b>
<b>Service .....</b>	<b>53</b>
Contact in the event of a fault .....	53
EPREL database .....	53
Warranty .....	53
<b>Information for dealers .....</b>	<b>54</b>
Demo mode ■.....	54
<b>Installation.....</b>	<b>56</b>
Installation .....	56
Side-by-side.....	56
Location.....	56
Ventilation.....	57
Furniture door panel .....	58
Before installing the appliance .....	60
Building-in dimensions .....	62
Limiting the opening angle of the appliance door.....	63
Changing the door hinging.....	63
Installing the appliance.....	67
Fitting the furniture door.....	76
Electrical connection.....	82

# Warning and Safety instructions

---

This refrigeration appliance complies with current safety requirements. Inappropriate use can, however, lead to personal injury and material damage.

Please read the operating and installation instructions carefully before using the refrigeration appliance for the first time. They contain important information on safety, installation, use and maintenance. This is to protect yourself from injury, and from damaging your refrigeration appliance.

In accordance with standard IEC 60335-1, Miele expressly and strongly advises that you read and follow all information provided on installing the refrigeration appliance, as well as the safety notes and warnings.

Miele cannot be held liable for injury or damage caused by non-compliance with these instructions.

Keep these operating and installation instructions in a safe place and pass them on to any future owner.

## Correct application

- ▶ This refrigeration appliance is intended for use in the home and in similar environments, for example
  - in shops, offices and similar work settings
  - by the guests in hotels, motels, bed & breakfasts and other typical home settings.

This refrigeration appliance is not intended for outdoor use.

- ▶ It must only be used as a domestic appliance to store deep frozen food, freeze fresh food and to make ice.  
Any other usage is not supported by the manufacturer and could be dangerous.

## Warning and Safety instructions

---

▶ This refrigeration appliance is not suitable for storing and keeping cool medicines, blood plasma, laboratory preparations or similar substances or products that are subject to the Medical Device Directive. Incorrect use of the refrigeration appliance for such purposes may cause deterioration of the items stored. The refrigeration appliance is also not suitable for use in areas where there is a risk of explosion.

Miele cannot be held liable for damage caused by improper or incorrect use or operation of the appliance.

▶ The appliance can only be used by people with reduced physical, sensory or mental capabilities, or lack of experience and knowledge, if they are supervised whilst using it, or have been shown how to use it in a safe way and recognise and understand the consequences of incorrect operation.

### **Safety with children**

▶ Children under 8 years of age must be kept away from the refrigeration appliance unless they are constantly supervised.

▶ Children 8 years and older may only use the appliance unsupervised if they have been shown how to use it in a safe way and recognise and understand the consequences of incorrect operation.

▶ Children must not be allowed to clean or maintain the appliance unsupervised.

▶ Please supervise children in the vicinity of the appliance and do not let them play with it.

▶ Danger of suffocation! Whilst playing, children could become entangled in packaging (such as plastic wrapping) or pull it over their head and suffocate. Keep packaging material away from children.

# Warning and Safety instructions

---

## Technical safety

► The coolant circuit has been checked for leaks. The refrigeration appliance complies with statutory safety requirements and the appropriate EU directives.



► This refrigeration appliance contains the refrigerant isobutane (R600a), a natural gas which is environmentally friendly but flammable. The refrigerant does not damage the ozone layer and does not contribute to the greenhouse effect.

The use of this refrigerant has, however, led to a slight increase in the noise level of the appliance. In addition to the noise of the compressor, you might be able to hear the refrigerant flowing around the cooling circuit. Unfortunately, this cannot be avoided, but it does not affect the performance of the refrigeration appliance.

When transporting and installing the refrigeration appliance, ensure that no parts of the cooling circuit are damaged. Splashes of refrigerant can damage the eyes.

In the event of damage:

- Avoid naked flames or anything which creates a spark.
  - Disconnect the refrigeration appliance from the mains electricity supply.
  - Ventilate the room where the refrigeration appliance is located for several minutes.
  - Contact the Miele Customer Service Department.
- The more coolant there is in a refrigeration appliance, the larger the room it should be installed in. In the event of a leakage, if the appliance is in a small room, there is the danger of a combustible gas/air mixture building up. For every 11 g of coolant at least 1 m<sup>3</sup> of room space is required. The amount of coolant in the refrigeration appliance is stated on the data plate inside the appliance.

## Warning and Safety instructions

---

- ▶ To avoid the risk of damage to the appliance, make sure that the connection data (fuse rating, frequency and voltage) on the data plate corresponds to the household supply. Check that this is the case before connecting the appliance. Consult a qualified electrician if in any doubt.
- ▶ The electrical safety of this appliance can only be guaranteed when correctly earthed. It is essential that this standard safety requirement is met. If in any doubt please have the electrical installation tested by a qualified electrician.
- ▶ Reliable and safe operation of this appliance can only be assured if it has been connected to the mains electricity supply.
- ▶ If the electrical connection cable is faulty it must only be replaced by a Miele authorised service technician to protect the user from danger.
- ▶ Do not connect the appliance to the mains electrical supply by a multi-socket adapter or extension lead. These are a fire hazard and do not guarantee the required safety of the appliance.
- ▶ If moisture gets into electrical components or into the mains connection cable, it could cause a short circuit. Therefore, do not operate this refrigeration appliance in areas which are exposed to moisture (e.g in a garage or utility room).
- ▶ This appliance must not be used in a non-stationary location (e.g. on a ship).
- ▶ Do not use a damaged appliance. It could be dangerous. Check the appliance for visible signs of damage.
- ▶ For safety reasons, this appliance may only be used after it has been built in.
- ▶ The appliance must be isolated from the electricity supply during installation, maintenance and repair work.

## Warning and Safety instructions

---

- ▶ Unauthorised installation, maintenance and repairs can cause considerable danger for the user. Installation, maintenance and repairs must only be carried out by a Miele authorised technician.
- ▶ While the appliance is under warranty, repairs should only be undertaken by a Miele authorised service technician. Otherwise the warranty is invalidated.
- ▶ Faulty components must only be replaced with genuine Miele original spare parts. Miele can only guarantee the safety standards of the appliance when Miele replacement parts are used.
- ▶ This refrigeration appliance is supplied with a special lamp to cope with particular conditions (e.g. temperature, moisture, chemical resistance, abrasion resistance and vibration). This lamp must only be used for the purpose for which it is intended. The lamp is not suitable for room lighting. Replacement lamps may only be fitted by a Miele authorised technician or by the Miele Customer Service Department. This refrigeration appliance contains several light sources with at least energy efficiency class G.

### Correct use

- ▶ This refrigeration appliance is designed for use within specific ambient temperatures (climate range). Do not use in ambient temperatures for which it is not designed. The climate range is stated on the data plate in the interior cabinet of the refrigeration appliance. A lower ambient temperature will cause the compressor to switch off for longer periods, meaning that the refrigeration appliance is unable to maintain the required temperature.
- ▶ Do not cover or block the air vents as this could impair the efficiency of the appliance, increase the electricity consumption and could cause damage to the components.
- ▶ If storing food which contains a lot of fat or oil in the appliance or the door, make sure that it does not come into contact with plastic components as this could cause stress cracks or break the plastic.

## Warning and Safety instructions

---

- ▶ Risk of fire and explosion. Do not store explosive materials in the refrigeration appliance or any products containing propellants (e.g. spray cans). Electrical components can cause flammable mixes of gases to ignite.
- ▶ Danger of explosion. Do not operate any electrical equipment (e.g. an electric ice-cream maker) inside the refrigeration appliance.  
Danger of sparking and explosion.
- ▶ Danger of injury and damage to the appliance. Do not store cans or bottles containing carbonated drinks or liquids which could freeze in the freezer zone. Otherwise they could burst.
- ▶ Danger of injury and damage to the appliance. When cooling drinks quickly in the freezer zone, make sure bottles are not left in for more than one hour. Otherwise they could burst.
- ▶ Danger of injury. Never handle frozen food or the metal parts of the appliance with wet hands. Your hands may freeze to the frozen food or to the metal.
- ▶ Danger of injury. Do not take ice cubes out with your bare hands and never place ice cubes or ice lollies in your mouth straight from the freezer zone. The very low temperature of the frozen food can cause frost burn to the lips and tongue.
- ▶ Do not refreeze partially or fully defrosted food. Consume defrosted food as soon as possible, as it will lose its nutritional value and spoil if left for too long. Defrosted food may only be re-frozen after it has been cooked.
- ▶ Observe the manufacturer's "use-by" dates and storage instructions given on food to avoid the risk of food poisoning. Storage times will depend on several factors, including the freshness and quality of the food, as well as the temperature at which it is stored.

## Warning and Safety instructions

---

### Accessories and spare parts

- ▶ Only use genuine original Miele accessories and spare parts with this appliance. Using accessories or spare parts from other manufacturers will invalidate the warranty, and Miele cannot accept liability.
- ▶ Miele will guarantee to supply functional spare parts for a minimum of 10 years and up to 15 years following the discontinuation of your refrigeration appliance.

### Cleaning and care

- ▶ Do not use any oils or grease on the door seals, as these will cause the seals to deteriorate and become porous with time.
- ▶ Do not use a steam cleaning appliance to clean or defrost this appliance.  
Steam could reach electrical components and cause a short circuit.
- ▶ Sharp edged or pointed objects will damage the evaporator, causing irreversible damage to the appliance. Do not use sharp edged or pointed objects to
  - remove frost and ice,
  - separate frozen food or remove ice trays.
- ▶ Do not place electric heaters or candles in the appliance to defrost it. These can damage the plastic parts.
- ▶ Do not use defrosting sprays or de-icers, as they could contain substances which could damage the plastic parts or which might cause the build-up of gases and pose a danger to health.

### Transport

- ▶ Always transport the appliance in an upright position and in its original transport packaging to avoid damage in transit.
- ▶ Danger of injury and damage to the appliance. The refrigeration appliance is very heavy and must be transported by two people.

# Warning and Safety instructions

---

## Disposal of your old appliance

- ▶ If your old refrigeration appliance has a door lock, destroy it. This will prevent the risk of children playing accidentally locking themselves in and endangering their lives.
- ▶ Splashes of coolant can damage the eyes. Be careful not to damage any part of the pipework whilst awaiting disposal, e.g. by
  - puncturing the coolant channels in the condenser,
  - bending any pipework, or
  - scratching the surface coating.

### Symbol on the compressor (depending on model)

This information is only relevant for recycling. There is no risk during normal operation.



- ▶ The oil in the compressor can be fatal if swallowed or if it penetrates the airways.

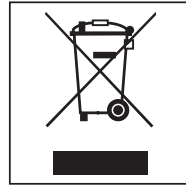
### Disposal of the packing material

The packaging is designed to protect the appliance from damage during transportation. The packaging materials used are selected from materials which are environmentally friendly for disposal and should be recycled.

Recycling the packaging reduces the use of raw materials in the manufacturing process and also reduces the amount of waste in landfill sites.

### Disposing of your old appliance

Electronic and electrical appliances contain many valuable materials. They also contain certain materials, compounds and components which were essential for their correct functioning and safety. These could be hazardous to your health and to the environment if disposed of with general waste or if handled incorrectly. Please do not, therefore, dispose of your old appliance with general waste.



Instead, please make use of officially designated collection and disposal points to dispose of and recycle electrical and electronic appliances in your local community, with your dealer or with Miele. By law, you are solely responsible for deleting any personal data from the appliance prior to disposal.

Take care not to damage your refrigeration appliance's pipework before or during transportation to an authorised collection depot.

This is to ensure that coolant in the cooling circuit and oil in the compressor is contained, and will not leak into the environment.

Please ensure that your old appliance poses no risk to children while being stored prior to disposal. For further information, see "Warning and Safety instructions" in these operating and installation instructions.

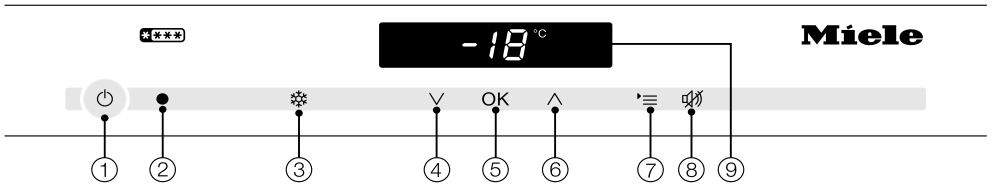
# Saving energy

	<b>Normal energy consumption</b>	<b>Increased energy consumption</b>
<b>Installation / Maintenance</b>	In a ventilated room.	In an enclosed, unventilated room.
	Protected from direct sunlight.	In direct sunlight.
	Not near to a heat source (radiator, oven).	Near to a heat source (radiator, oven).
	Where the ideal ambient room temperature is approx. 20 °C.	Where the ambient room temperature is above 25 °C.
	Ventilation gaps uncovered and dusted regularly.	Ventilation gaps covered or dusty.
<b>Temperature setting</b>	Freezer section -18 °C	The lower the temperature in the appliance, the higher the energy consumption.

	<b>Normal energy consumption</b>	<b>Increased energy consumption</b>
<b>Use</b>	Drawers and shelves arranged as they were when the appliance was delivered.	
	Only open the door when necessary and for as short a time as possible. Store food in an organised way.	Frequent opening of doors for long periods will cause a loss of coldness. The appliance will try to cool down and the compressor will run for longer periods.
	Take an insulated cool bag when shopping, and load food in the appliance as soon as possible. Allow hot food and drinks to cool down before placing them in the appliance.	Hot food or food at room temperature raises the temperature inside the appliance. The appliance will try to cool down and the compressor will run for longer periods.
	Store food well packaged.	The evaporation or condensation of liquids in the freezer zone will cause a loss of coldness.
	Do not over-fill the appliance to allow air to circulate.	Poor air circulation will cause a loss of coldness.






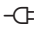


# Guide to the appliance

## Control panel



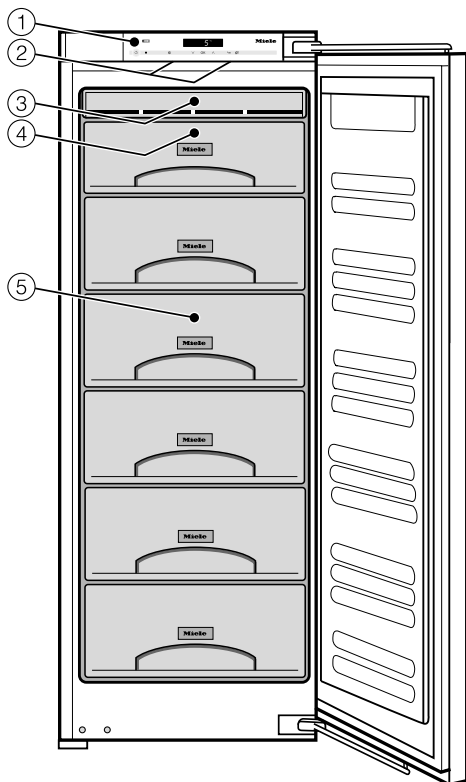
- ① On/Off sensor for the whole appliance
- ② Optical interface (for Service technicians only)
- ③ On/Off sensor the Super freeze function
- ④ For setting the temperature (∨ = colder), Selector sensor in settings mode
- ⑤ OK sensor for confirming a selection
- ⑥ For setting the temperature (^ = warmer), Selector sensor in settings mode
- ⑦ Sensor for accessing or leaving settings mode
- ⑧ For switching off the door alarm
- ⑨ Display with temperature and symbols (symbols only visible in settings mode, in the event of an alarm/message; see table for explanation of symbols)

## Symbols

Symbol	Meaning	Function
	Safety lock	Prevents the appliance being switched off, the temperature being altered, Super freeze being switched on and settings being altered by mistake.
	Audible tones	Choice of sensor tone and door and temperature alarm tone
	Miele@home	Only visible when a communication module or communication stick is fitted and signed on
	Display brightness settings	For adjusting the brightness of the display
	Sabbath mode	For switching Sabbath mode on and off
	Mains connection	Confirms that the appliance is connected to the electricity supply when it is not switched on; flashes in the event of a power cut
	Alarm (only visible when the door or temperature alarm sounds)	Lights up when there is a door alarm; flashes when there is a temperature alarm, power cut or other fault
	Demo mode (only visible when Demo mode is switched on)	For switching off Demo mode

## Guide to the appliance

---

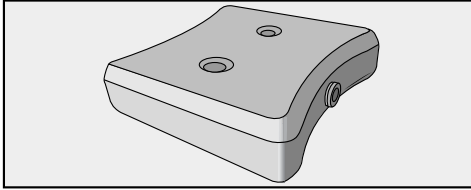


- ① Control panel
- ② Interior lighting
- ③ Frost free unit
- ④ Top freezer drawer, can also be used as a freezing tray
- ⑤ Freezer drawers (number depends on model)

This drawing is for illustration purposes only.

## Accessories supplied

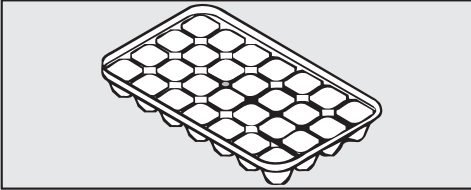
### Cool pack



The cool pack prevents the temperature in the freezer section from rising too quickly in the event of a power cut. This can help prolong the storage life.

The cool pack will be at its most effective after it has been in the freezer for approx. 24 hours.

### Ice cube tray



## Optional accessories

A range of useful Miele accessories and care products are available for your appliance.

Accessories are available to order via the Miele Webshop, from Miele directly (see back cover for contact details) or from your Miele dealer.

### Multi-purpose microfibre cloth

The microfibre cloth is suitable for removing fingerprints and light soiling from surfaces such as stainless steel, glass, plastic and chrome without the use of chemicals.

### MicroCloth Kit

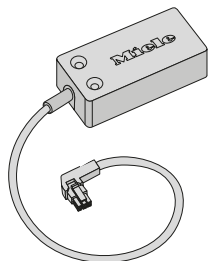
The MicroCloth Kit contains a universal cloth, a glass cloth and a polishing cloth.

These cloths are extremely resistant to tearing and very robust. Thanks to very fine microfibres these cloths achieve an excellent cleaning performance.

## Accessories

---

### XKS 3130 W WiFi stick (Miele@home)



The WiFi stick enables your refrigeration appliance to communicate, so that you can access appliance data at any time with a smartphone or tablet (iOS® or Android™ operating systems).

To use the Miele@mobile app or Miele@home features, such as the option to switch on SuperCool/SuperFreeze, you must insert the WiFi stick into your Miele refrigeration appliance and connect it to your WiFi network.

Fitting and installation instructions for the stick are supplied with it and describe how to install the WiFi stick and connect to a WiFi network.

## Before using for the first time

### Packaging material

- Remove all packaging material from the inside of the appliance.

### Cleaning the appliance

Please refer to the relevant instructions in “Cleaning and care”.


- Clean the inside of the appliance and the accessories.

## Operating the refrigeration appliance

A light touch of the finger on the sensor controls is all that is required to operate this refrigeration appliance.


Every touch of a sensor is confirmed with an audible keypad tone. This keypad tone can be switched off (see “Selecting further settings” – “Audible tones”).


### Switching the refrigeration appliance on

When the refrigeration appliance is connected to the electrical supply, the power connection symbol  will appear in the display after a short while.



- Touch the On/Off sensor.

The refrigeration appliance will start cooling. The power connection symbol  will go out and the temperature display will appear.

The temperature display and the alarm symbol  will flash at the same time until the required temperature is reached. If the current temperature inside the appliance is above 0 °C, two bars will flash in the display.

When the appliance door is opened, the interior lighting comes on and the LED lighting becomes brighter until it reaches its maximum brightness.

# Switching on and off

To enable the temperature to get sufficiently cold inside the refrigeration appliance, allow the appliance to run for approx. 2 hours before placing food in it.

Do not place food in the freezer section until it has reached the required coldness (at least  $-18\text{ }^{\circ}\text{C}$ ).

## Switching off



- Touch the On/Off sensor.  
If this does not work, the safety lock is still activated.

The temperature display will go out and the mains connection symbol  $\text{~}\text{C}\text{~}$  will appear.

The cooling process will be switched off.

## Switching off for longer periods of time

If, during a long absence, the refrigeration appliance is switched off but not cleaned and the door(s) left shut, there is a risk of mould forming inside the appliance.

It is essential to clean the refrigeration appliance.

If the refrigeration appliance is not going to be used for a longer period of time, observe the following:

- Switch the refrigeration appliance off.
- Switch the appliance off at the wall socket and pull the plug out of the socket, or disconnect the fuse.
- Clean the refrigeration appliance and leave the door ajar to air the appliance and avoid odours building up inside.

# The correct temperature

It is very important to set the correct temperature for storing food in the appliance. Bacteria will cause food which is not stored at the correct temperature to deteriorate rapidly. Temperature influences the growth rate of these bacteria. Reducing the temperature reduces their growth rate.

To freeze fresh food and to store frozen food for long periods, a temperature of **-18 °C** is required. At this temperature the growth of bacteria is generally halted. As soon as the temperature rises above -10 °C, the bacteria become active in the food again so it cannot be kept as long. For this reason, partially defrosted or defrosted food must not be re-frozen. Food may be re-frozen once it has been cooked, as the high temperatures achieved when cooking destroy most bacteria.

The temperature in the refrigeration appliance will rise:

- The more often the appliance door is opened and the longer it is kept open.
- The more food is stored in it.
- The warmer the food is which is being put into it.
- The higher the ambient temperature surrounding the refrigeration appliance. This refrigeration appliance is designed for use within specific ambient temperatures (climate range). Do not use in ambient temperatures for which it is not designed.

## Temperature display

In normal operation, the temperature display shows the **average, current freezer temperature in the refrigeration appliance**.

If the temperature is not within the normal temperature display range, dashes will flash in the display.

Depending on the ambient temperature and the temperature setting, it can take the appliance a few hours to reach the temperature required and for this temperature to then be shown as a constant temperature in the display.

## Setting the temperature

- Use the two sensors underneath the display to set the temperature.

By touching the sensor



- the temperature will get colder,



- the temperature will get warmer.

The temperature being set will flash in the display.

The following information shows in the display while the sensors are being touched:

- Touching a sensor once: the **last temperature selected** flashes.

# The correct temperature

---

- Each subsequent touch of the sensor: adjusts the temperature shown in 1°C steps.
- Leaving a finger on the sensor changes the temperature continuously.

Approximately 5 seconds after the last time a sensor has been touched, the **current** temperature inside the appliance is automatically shown.

## Or

- Touch the OK sensor to confirm your selection.

If you have adjusted the temperature, **wait for approx. 6 hours if the appliance is not very full and for approx. 24 hours if the appliance is full** before checking the temperature display, as it will take this long for the appliance to give an accurate reading.

- If, after this time, the temperature is still too high or too low, you will need to adjust it again.

## Temperature range

The temperature can be adjusted from -15 °C to -28 °C.

## Super freeze function

Switch on Super freeze before putting fresh food into the freezer.

This helps food to freeze quickly and retain its nutrients, vitamins, flavours and appearance.

### Exceptions:

- when placing food in the freezer that is already frozen.
- when freezing up to 2 kg fresh food daily.

## Switching on Super freeze

The Super freeze function should be switched on **6 hours before placing food for freezing in the freezer**. When freezing the **maximum amount of food** the Super freeze function should be switched on **24 hours beforehand**.



- Touch the Super freeze control so that it is highlighted in yellow.

The appliance will work at full power to lower the temperature in the freezer.

## Switching off Super freeze

The Super freeze function will switch itself off automatically after approx. 65 hours. The quantity of fresh food placed in the freezer will determine the duration before it switches off. The Super freeze ❄ symbol will go out and the appliance will run at normal power again.

To save energy, you can manually switch off the Super freeze function once a **constant** temperature of  $-18\text{ }^{\circ}\text{C}$  or colder has been reached in the freezer section. Keep an eye on the temperature as it falls.




- Touch the Super freeze control so that it is no longer highlighted in yellow.

The appliance will then continue running at normal power.

# Temperature and door alarm


The appliance has been fitted with a warning system which ensures that the temperature in the freezer cannot rise unnoticed and to avoid energy being wasted if the door is left open.

## Temperature alarm

 Health risk caused by decomposing food.

If the temperature in the freezer remains above  $-18\text{ }^{\circ}\text{C}$  for a long time, the frozen goods can start to defrost. This will reduce the storage life of the food.


Check whether the frozen goods have started to defrost. If they have, check that the food is safe to use and if it is, then use it as soon as possible or cook it before freezing it again.

If the temperature in the freezer becomes too warm, the alarm symbol  will flash in the display. An alarm tone will also sound.

The temperature the refrigeration appliance is set at determines the temperature the appliance recognises as being too warm.

Audible and visual signals will be activated, for example:

- When the refrigeration appliance is switched on and the temperature in the appliance differs greatly from the set temperature.
- If a lot of warm room air enters the freezer when frozen goods are being loaded, rearranged or taken out.
- When freezing large amounts of food at once.
- When freezing fresh food which is still warm.
- In the event of a mains outage.
- If the refrigeration appliance has a fault.


The alarm will stop and the alarm symbol  will go out as soon as the temperature has dropped down to the correct level again.

## Switching the temperature alarm off early


If the noise disturbs you, you can switch the alarm off if you wish.




- Touch the sensor for switching off the temperature alarm.

The alarm will stop.  
The alarm symbol  will remain illuminated until the set temperature has been reached.

## Door alarm

The alarm will sound if the door is left open for a long time. The alarm symbol  lights up in the display.

The amount of time until the door alarm is triggered depends on the setting selected and can be either 2 minutes (factory default) or 4 minutes. However, the door alarm can also be turned off (see “Selecting further settings” - “Audible tones”).

The alarm will stop and the alarm symbol  will go out as soon as the door is closed.


If the audible tone does not sound in the event of a door alarm, then the audible tone has been switched off in settings mode (see “Selecting further settings” - “Audible tones”).

## Switching the door alarm off early

If the noise disturbs you, you can switch the alarm off if you wish.




- Touch the sensor for switching off the door alarm.





The alarm sound will stop.  
The alarm symbol  will continue to be lit up until the door is closed.

# Selecting further settings

Certain settings on the appliance can only be selected in settings mode.

When in settings mode, the door alarm and other fault messages are automatically deactivated although the alarm symbol  appears in the display.

## Settings options

	Activating or deactivating the lock
	Switching audible signals on/off
	Altering the display brightness
	Switching Sabbath mode on/off

All other settings options are described below.

## Safety lock

The safety lock can be activated to prevent:


- the appliance being switched off by mistake,
- the temperature being changed by mistake,
- the SuperFreeze function being selected by mistake,
- settings being adjusted by mistake (it is only possible to deactivate the safety lock).

This prevents the appliance being switched off or settings being adjusted without your knowledge (by children, for example).

### Activating or deactivating the safety lock




- Touch the settings sensor.

All symbols available for selection will appear in the display and the  symbol flashes.



- Touch the OK sensor to confirm your selection.

The last selected setting flashes and the  symbol lights up in the display.


## Selecting further settings



- By touching the  $\wedge$  or  $\vee$  sensor, you can now select whether the safety lock is activated or deactivated:  
 $\text{D}$ : the safety lock is deactivated  
 $\text{I}$ : the safety lock is activated




- Touch the OK sensor to confirm your selection.

The selected setting is applied, the  symbol flashes.



- Touch the settings sensor to leave settings mode.  
Otherwise the appliance exits settings mode automatically after approximately one minute.

The  symbol will appear in the display when the lock is activated.

### Audible signals

The appliance has audible signals including the keypad tone and the door and temperature alarm tones.


You can switch the keypad tone or the door alarm tone on or off but you cannot deactivate the temperature alarm.

There are 4 settings to choose from. Option  $\text{3}$  is set at the factory; this means that the keypad tone and the door alarm are switched on.


### Switching audible signals on/off



- Touch the settings sensor.


All symbols available for selection appear in the display and the  symbol flashes.



- Touch the sensors for setting the temperature ( $\wedge$  or  $\vee$ ) repeatedly until the  symbol flashes.



- Touch the OK sensor to confirm the selection.

The most recently selected setting flashes and the  symbol lights up in the display.

# Selecting further settings



- Touch the  $\wedge$  or  $\vee$  sensor now to select:

$\emptyset$ : keypad tone off; door alarm off

$1$ : keypad tone off; door alarm on (after 4 minutes)

$2$ : keypad tone off; door alarm on (after 2 minutes)

$3$ : keypad tone on; door alarm on (after 2 minutes).



- Touch the OK sensor to confirm the selection.

The selected setting is applied, the  $\text{♪}$  symbol flashes.



- Touch the settings sensor to exit settings mode. Otherwise, the appliance electronics will exit the settings mode automatically after approximately one minute.

## Display brightness $\text{☀}$

The display brightness can be adjusted to suit lighting conditions in the room.

The display brightness can be adjusted in steps from  $1$  to  $3$ . The factory default setting is  $3$  (maximum brightness).

### Altering the display brightness



- Touch the settings sensor.

All symbols available for selection will appear in the display and the  $\text{🔒}$  symbol flashes.



- Touch the sensors for setting the temperature ( $\wedge$  or  $\vee$ ) repeatedly until the  $\text{☀}$  symbol flashes.



- Touch the OK sensor to confirm your selection.

The last selected setting flashes and the  $\text{☀}$  symbol lights up in the display.

## Selecting further settings




- By touching the  $\wedge$  or  $\nabla$  sensor you can now alter the brightness of the display:

1: dimmest setting  
2: medium setting  
3: brightest setting.



- Touch the OK sensor to confirm your selection.

The selected setting is applied, the  symbol flashes.



- Touch the settings sensor to leave settings mode. Otherwise the appliance exits settings mode automatically after approximately one minute.

### Sabbath mode

The refrigeration appliance has a Sabbath mode to support the observance of religious customs.

The following are switched off:


- The interior lighting when the appliance door is opened
- All acoustic and visual signals
- The temperature display
- The SuperFreeze function (if previously selected)

The following can be selected:

- The settings button for switching off Sabbath mode
- The On/Off button

The Sabbath mode function will switch itself off automatically after approx. 120 hours.

Ensure that the appliance door is properly closed, as visual and audible alarms are switched off.

 Health risk caused by decomposing food.

As any mains outage during Sabbath mode is not indicated, the frozen goods may thaw or defrost. This will reduce the storage life of the food.


Check whether the frozen goods have started to defrost. If they have, check that the food is safe to use and if it is, then use it as soon as possible or cook it before freezing it again.

# Selecting further settings


## Switching on Sabbath mode



- Touch the settings sensor.


All symbols available for selection will appear in the display and the  symbol flashes.



- Touch the sensors for setting the temperatures ( $\wedge$  or  $\vee$ ) repeatedly until the  symbol flashes.



- Touch the OK sensor to confirm your selection.


The last selected setting flashes and the  symbol lights up in the display.




- By touching the  $\wedge$  or  $\vee$  sensor you can now switch on Sabbath mode. To do this, select setting 1.



- Touch the OK sensor to confirm your selection.

The selected setting is applied, the  symbol lights up.

As soon as the  symbol goes out in the display after 3 seconds, Sabbath mode is switched on.

- Switch off Sabbath mode after the Sabbath has passed.

## Switching off Sabbath mode



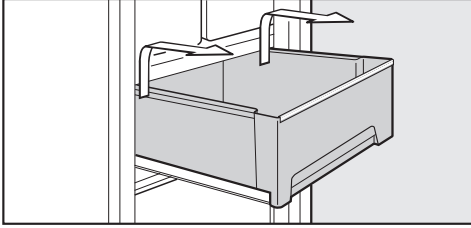
- Touch the settings sensor to leave Sabbath mode.

The temperature will appear in the display and the interior lighting will come on.

### Removing freezer drawers on telescopic runners

Some of the freezer drawers are on telescopic runners and can be removed for filling, emptying or cleaning purposes.

- Pull the drawer out as far as it will go.



- Holding the sides of the drawer at the back, lift it up and then forwards and out.

Push the runners back in again to avoid damaging them.

Be careful not to wash out the special lubricant in the telescopic runners during cleaning.  
Wipe the telescopic runners with a well-wrung out damp cloth to clean them.

- To replace the drawer, push the runners back in completely and then place the drawer on them.
- Push the drawer into the appliance until it clicks into position.

### Removing the shelves.

The shelves can be removed.

- Lift the shelf slightly at the front and then pull it forwards and out.

# Freezing and storing food

---

## Maximum freezing capacity

To ensure that fresh food placed in the freezer freezes through to the core as quickly as possible, the maximum freezing capacity must not be exceeded. The maximum freezing capacity for freezing within a 24-hour period is given on the data plate: "Freezing capacity ... kg/24 hrs".

## Freezing fresh food

Fresh food should be frozen as quickly as possible. This way the nutritional value of the food, its vitamin content, appearance and taste are not impaired.

Food which takes a long time to freeze will lose more water from its cells, which then shrink. During the defrosting process, only some of this water is re-absorbed by the cells. What this means in practice is that the food loses more moisture. You can see this in the large amount of water that collects around the food when it defrosts.

If food is frozen quickly, the cells have less time to lose moisture, so they shrink less. As there is not so much moisture loss, it is easier for the food to reabsorb it during the defrosting process, and very little water collects around the defrosted food.

## Storing frozen food

Never re-freeze partially or fully defrosted food. Defrosted food may only be re-frozen after it has been cooked.

When buying frozen food to store in your freezer, check:

- That the packaging is not damaged
- The use-by date
- The temperature at which the frozen food is being stored in the shop.

The length of time food can be kept is reduced if it has been stored at a temperature warmer than  $-18\text{ }^{\circ}\text{C}$ .

- Buy frozen food once you have finished the rest of your shopping and wrap it in newspaper or use a cool bag or cool box to transport it.
- Put it into the freezer as soon as possible.

## Home freezing

Only freeze fresh food which is in a good condition.

### Hints on home freezing

- The following types of food **are suitable** for freezing:  
Fresh meat, poultry, game, fish, vegetables, herbs, fresh fruit, dairy products, cakes, leftovers, egg yolks, egg whites and a range of pre-cooked meals.
- The following types of food **are not suitable** for freezing:  
Grapes, lettuce, radishes, soured cream, mayonnaise, eggs in their shells, onions, whole raw apples and pears.
- To retain colour, taste, aroma and vitamin C, vegetables should be blanched before they are frozen. To do so place them portion by portion into boiling water for 2–3 minutes. Remove, and plunge into ice-cold water to cool quickly. Drain and pack ready for freezing.
- Lean meat freezes better than fatty meat, and can be stored for considerably longer.
- Separate chops, steaks, cutlets etc. with a sheet of plastic freezer film. This prevents them from freezing together in a block.
- Do not salt or season raw food or blanched vegetables before freezing. Cooked food should only be lightly salted and seasoned. Some herbs intensify the taste of food when frozen.

- Placing hot foods or drinks in the freezer causes food that is already frozen to partially thaw and increases energy consumption. Allow hot foods and drinks to cool down before placing them in the freezer.

### Packaging food for freezing

- Freeze food in portions.
  - **Suitable packing material**
    - Plastic freezer bags
    - Tubular polythene freezer bags
    - Aluminum foil
    - Freezer containers
  - **Unsuitable packing material**
    - Wrapping paper
    - Greaseproof paper
    - Cellophane
    - Bin bags
    - Plastic carrier bags
  - Expel as much air as possible from the packaging.
  - Close the packaging tightly with
    - Rubber bands
    - Plastic clips
    - String
    - Freezer tape
- Tip:** Freezer bags may also be sealed using home heat sealing kits.
- Make a note of the contents and the date of freezing on the packaging.


# Freezing and storing food

## Before placing food in the appliance

- When freezing more than 2 kg of fresh food, switch on the SuperFreeze function some time before placing the food in the freezer (see “SuperFreeze”).

This helps create a cold reserve in food which is already stored in the freezer.

## Placing food in the freezer section

-  The following maximum loading weights must not be exceeded:
- Top freezer drawer = 5 kg
  - Freezer drawer = 25 kg
  - Shelf = 35 kg

Unfrozen food should not touch frozen food as this will cause frozen food to begin to thaw.

- Make sure that the packaging and containers are dry to prevent them sticking together when frozen.

## - Freezing small amounts of food

Place the food in the lower freezer drawers.

- Place the food flat in the bottom of the freezer drawers so that it freezes through to the core as quickly as possible.

When placing food on the glass plates make sure that you do not block the ventilation slits in the back wall of the appliance. They are important for trouble-free operation of the appliance and normal energy consumption.

## - Freezing the maximum amount (see data plate)

- Remove the freezer drawers
- Place the food flat on the glass plates so that it freezes through to the core as quickly as possible.

Once frozen:

- Place the frozen food in the freezer drawer and push it back in.

## - Large items

If you wish to freeze large items such as a turkey or game, the glass cold plates between the drawers can be removed.

- Remove the freezer drawers. Carefully lift and slide out the glass cold plates.

## Storage time for frozen food

The storage life of food is very variable, even at a constant temperature of -18 °C. Decomposition processes also take place in frozen food, albeit at a very reduced speed. For example, fat can become rancid from contact with oxygen in the air. This is why lean meat can be stored approx. twice as long as fatty meat.

The storage times quoted are guide values for the storage life of different food groups in the freezer zone.

# Freezing and storing food

Food group	Storage time (Months)
Ice cream	2 to 6
Bread, baked goods	2 to 6
Cheese	2 to 4
Fish, oily	1 to 2
Fish, lean	1 to 5
Sausage, ham	1 to 3
Game, pork	1 to 12
Poultry, beef	2 to 10
Vegetables, fruit	6 to 18
Herbs	6 to 10

For standard freezing results, follow the advice on packaging.

By keeping the freezer zone at a constant temperature of  $-18\text{ }^{\circ}\text{C}$  and taking appropriate hygiene measures you can maximise the storage life of your food and avoid food waste.

## Defrosting frozen goods

Never re-freeze partially or fully defrosted food. Defrosted food may only be re-frozen after it has been cooked.

Frozen goods can be defrosted in different ways:

- In a microwave oven
- In an oven using “Fan heat” or the “Defrost” setting
- At room temperature
- In the refrigerator zone (the cold given off by the frozen food helps to keep the other food cold)
- In a steam oven

**Flat pieces of partially thawed meat or fish** can be placed directly into a hot frying pan.

**Meat and poultry** (e.g. mince, chicken, fish fillets) should not come into contact with other foods while defrosting. Catch the liquid from defrosting and dispose of it carefully.

**Fruit** should be defrosted at room temperature in its packaging, or in a covered bowl.

**Most vegetables** can be cooked while still frozen. Just put straight into boiling water or hot fat. The cooking time is slightly less than that of fresh vegetables due to changes in the cell structure.

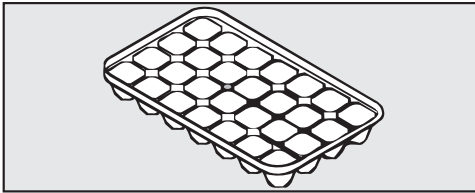
# Freezing and storing food

## Cooling drinks quickly

When cooling drinks quickly in the freezer, make sure bottles are **not left in for more than one hour**; otherwise they could burst, causing injury and damage.

## Using accessories

### Making ice cubes

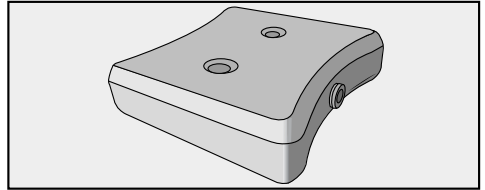


- Fill the ice cube tray three quarters full with water and place it on the bottom of one of the freezer drawers.
- Once frozen, use a blunt instrument, for example a spoon handle, to remove the ice tray from the freezer if it is stuck.

**Tip:** Ice cubes can be removed easily from the tray by holding it under running water for a short time.

## Using the cool pack

The cool pack prevents the temperature in the freezer zone from rising too quickly in the event of a power cut. This can help prolong the storage life.



- Place the cool pack in the top drawer of the freezer zone.

The cool pack will be at its most effective after it has been in the freezer for approx. 24 hours.

### – In the event of a power cut

- Place the frozen cool pack directly on top of the frozen food in the front of the top drawer.

**Tip:** When placing fresh food in the freezer, use the cool pack to separate the fresh food from the food which is already frozen so that the frozen food does not begin to thaw.


The appliance is equipped with a “NoFrost” system. The freezer defrosts automatically.

The moisture generated in the appliance collects on the condenser and is automatically defrosted and dissipated from time to time.

This automatic defrosting system enables the freezer to remain permanently ice-free. Food stored in the freezer will not defrost with this system.

# Cleaning and care

Do not let water get into the electronic module or the lighting.

 Risk of damage due to moisture ingress.

The steam from a steam cleaner can damage plastic and electrical components.

Do not use a steam cleaner to clean the refrigeration appliance.

Cleaning water must not get into the drain hole.

The data plate located inside the interior cabinet of the refrigeration appliance must not be removed. It contains information which is required in the event of a fault.

## Cleaning agents

Cleaning and conditioning agents used inside the appliance must be food safe.

To avoid damaging all the surfaces of your appliance, **do not use:**

- cleaning agents containing soda, ammonia, acids or chlorides
- cleaning agents containing descaling agents
- abrasive cleaning agents, e.g. powder cleaners and cream cleaners
- solvent-based cleaning agents
- stainless steel cleaning agents
- dishwasher cleaner
- oven sprays
- glass cleaning agents
- hard, abrasive sponges and brushes, e.g. pot scourers
- melamine eraser blocks
- sharp metal scrapers

We recommend using a clean sponge, lukewarm water with a little washing-up liquid to clean surfaces of the appliance.

The following pages contain important information on cleaning.

## Before cleaning

- Switch the appliance off.

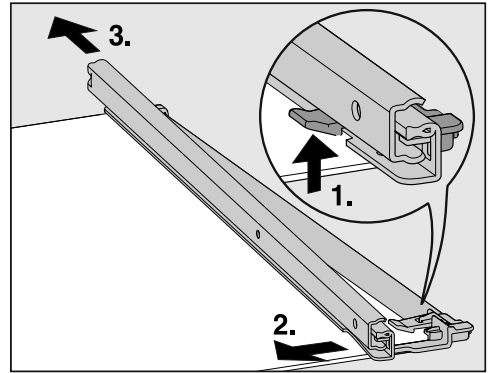
The display goes out and the cooling function is switched off.

If this does not work, the safety lock is activated (see “Selecting further settings” – “Activating and deactivating the safety lock”).

- Take any food out of the appliance and store it in a cool place.
- Remove the shelves:  
Lift them up at the front slightly and then pull them forwards and out.

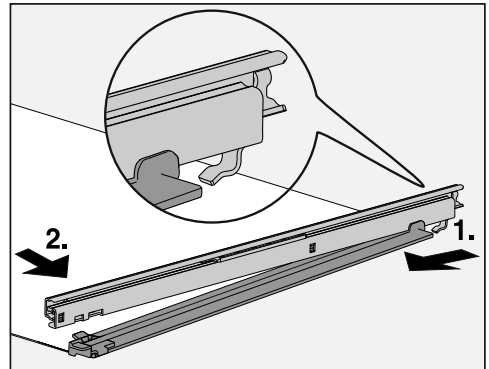
The telescopic runners on the shelves are **not** dishwasher safe.

## Removing the telescopic runners



- To remove the telescopic runners:

1. Push the catch upwards.
2. Push the telescopic runner to the side.
3. Then pull the telescopic runner off to the rear.



- After cleaning, reattach the telescopic runners to the shelf.

1. Do so by hooking the telescopic runner on at the rear.
2. Then clip the catches into position at the front.

# Cleaning and care

## Cleaning the interior and accessories

The refrigeration appliance should be cleaned regularly (at least once a month).


Remove soiling immediately to prevent it from drying on.

- Clean the **interior** with a clean sponge, lukewarm water and a little washing-up liquid.
- After cleaning, wipe with clean water and dry with a soft cloth.

The following parts **cannot be cleaned in a dishwasher**:

- the freezer drawers
- the trim
- the shelves
- the telescopic runners on the shelves
- the cool packs.
- These accessories should all be hand washed.

The ice cube tray is **dishwasher-safe**.

 Risk of damage as a result of excessively high dishwasher temperatures.

Parts of the refrigeration appliance may become unusable, e.g. deform, if they are washed in the dishwasher at more than 55 °C.

For dishwasher-safe parts, only use dishwasher programmes with a maximum temperature of 55 °C.


Contact with natural dyes from carrots, tomatoes and ketchup, etc., may discolour the plastic parts in the dishwasher. This discolouration does not affect the stability of the parts.

- Wipe the telescopic runners with a well-wrung out damp cloth to clean them.

Be careful not to wash out the special lubricant in the telescopic runners during cleaning.

- Leave the door open to air the appliance for a short while and to prevent odours building up.

## Cleaning the door seal

 Risk of damage as a result of incorrect cleaning.

If you treat the door seal with oils or grease, it can become porous.

Do not use any oils or grease on the door seal.

- The door seal should be cleaned regularly with clean water, and then wiped dry with a soft cloth.

## Cleaning the ventilation gaps

A build-up of dust will increase the energy consumption of the appliance.

- The ventilation gaps should be cleaned on a regular basis with a brush or vacuum cleaner (you could use a Miele vacuum cleaner dusting brush, for example).

## After cleaning

- Slide all shelves back into the appliance.
- Close the appliance door.
- Reconnect to the mains and switch the appliance back on.
- Switch on the Super freeze function so that the freezer can cool down quickly.
- Once the temperature in the freezer has reached the required temperature, place the food back in the freezer drawers and put them back in the freezer.
- When the temperature in the freezer is a constant  $-18^{\circ}\text{C}$  or colder press the Super freeze button to switch the Super freeze function off.




## Problem solving guide

---

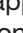


Many malfunctions and faults that can occur in daily operation can be easily remedied. Time and money will be saved because a service call will not be needed.

The following guide may help you to find the reason for a malfunction or a fault, and to correct it.

To prevent unnecessary loss of temperature it is advisable not to open the door while waiting for the appliance to be serviced.

Problem	Cause and remedy
<b>The appliance is not getting cold, the interior lighting does not come on when the door is opened, and the display is not lit up.</b>	The appliance is not switched on and the mains connection symbol  is lit up in the display. ■ Switch the appliance on.
	The plug is not inserted in the socket correctly. ■ Insert the plug correctly into the socket. The mains connection symbol  appears in the display when the appliance is switched off.
	Check whether the mains fuse has tripped. There could be a fault with the appliance, the household electrical wiring or another electrical appliance. ■ Contact a qualified electrician or Miele.
<b>The  symbol lights up in the display, the appliance does not get cold, although the controls and the interior lighting are working.</b>	Demo mode is switched on. This allows the appliance to be presented in the showroom without the cooling system being switched on. Do not activate this setting for domestic use. ■ Switch off Demo mode (see “Information for dealers - Demo mode”).

## Problem solving guide

Problem	Cause and remedy
<p><b>The appliance is not getting cold, the interior lighting does not come on when the door is opened, and the display is not lit up.</b></p>	<p>The appliance is not switched on and the mains connection symbol  is lit up in the display.</p> <ul style="list-style-type: none"> <li>■ Switch the appliance on.</li> </ul>
	<p>The plug is not inserted in the socket correctly.</p> <ul style="list-style-type: none"> <li>■ Insert the plug correctly into the socket. The mains connection symbol  appears in the display when the appliance is switched off.</li> </ul>
	<p>Check whether the mains fuse has tripped. There could be a fault with the appliance, the household electrical wiring or another electrical appliance.</p> <ul style="list-style-type: none"> <li>■ Contact a qualified electrician or Miele.</li> </ul>
<p><b>The  symbol lights up in the display, the appliance does not get cold, although the controls and the interior lighting are working.</b></p>	<p>Demo mode is switched on. This allows the appliance to be presented in the showroom without the cooling system being switched on. Do not activate this setting for domestic use.</p> <ul style="list-style-type: none"> <li>■ Switch off Demo mode (see “Information for dealers - Demo mode”).</li> </ul>

# Problem solving guide





Problem	Cause and remedy
<b>The compressor runs continuously.</b>	This is not a fault. To save energy, the compressor runs at a lower speed, but for longer, when less cooling is required.
<b>The compressor is switching on more frequently and for longer periods of time. The temperature in the refrigeration appliance is too low.</b>	<p>The ventilation gaps in the housing unit have been covered or become too dusty.</p> <ul style="list-style-type: none"> <li>■ Do not block the ventilation gaps.</li> <li>■ Dust the ventilation gaps regularly.</li> </ul>
	<p>The appliance door has been opened too frequently, or a large amount of fresh food has been placed inside or frozen at the same time.</p> <ul style="list-style-type: none"> <li>■ Only open the appliance door when necessary and for as short a time as possible.</li> </ul> <p>After a while, the temperature will return to normal by itself.</p>
	<p>The appliance door is not properly closed. A thick layer of ice may have formed in the freezer zone.</p> <ul style="list-style-type: none"> <li>■ Close the appliance door.</li> </ul> <p>After a while, the temperature will return to normal by itself.</p> <p>If a thick layer of ice has already formed, this will affect cooling and increase energy consumption.</p> <ul style="list-style-type: none"> <li>■ Defrost the refrigeration appliance and clean it.</li> </ul>
	<p>The ambient room temperature is too high. The higher the ambient temperature, the longer the compressor has to run.</p> <ul style="list-style-type: none"> <li>■ See the information in “Location” in “Installation”.</li> </ul>
	<p>The refrigeration appliance was not properly installed in the niche.</p> <ul style="list-style-type: none"> <li>■ See the information in “Installation” and “Installing the refrigeration appliance”.</li> </ul>

## Problem solving guide

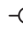
Problem	Cause and remedy
<p><b>The compressor is switching on more frequently and for longer periods of time. The temperature in the appliance is too low.</b></p>	<p>The temperature setting is too low.</p> <ul style="list-style-type: none"> <li>■ Adjust the temperature.</li> </ul> <p>A large amount of food is being frozen at once.</p> <ul style="list-style-type: none"> <li>■ See “Freezing and storing food”.</li> </ul> <p>The Super freeze function is still switched on.</p> <ul style="list-style-type: none"> <li>■ To save energy, you can switch the Super freeze function off yourself before this time.</li> </ul>
<p><b>The compressor comes on less and less often and for shorter periods of time. The temperature in the refrigeration appliance rises.</b></p>	<p>This is not a fault. The temperature setting is too high.</p> <ul style="list-style-type: none"> <li>■ Correct the temperature setting.</li> <li>■ Check the temperature again after 24 hours.</li> </ul> <p>The frozen food begins to defrost. The ambient temperature is too low for this refrigeration appliance.</p> <p>If the ambient temperature is too low, the compressor will run less frequently. This may cause the freezer section to become too warm.</p> <ul style="list-style-type: none"> <li>■ See the information in “Installation – Installation site”.</li> <li>■ Increase the ambient temperature.</li> </ul>
<p><b>An LED indicator light is flashing at the back of the refrigeration appliance at the bottom near the compressor (depending on model). The electronic unit for the compressor is equipped with an operation and fault diagnosis LED indicator light.</b></p>	<p>The indicator light flashes several times every 5 seconds. A fault has occurred.</p> <ul style="list-style-type: none"> <li>■ Call the Miele Customer Service Department.</li> </ul> <p>The indicator light flashes regularly every 15 seconds. Not a fault. This flashing is normal.</p>

# Problem solving guide

## Display warnings



Message	Cause and remedy
<b>"F0 to F9" appears in the display.</b>	There is a fault. ■ Call the Miele Service Department.
<b>The alarm symbol  lights up in the display and an alarm sounds.</b>	The door alarm has been activated. ■ Close the appliance door. The alarm symbol  will go out and the alarm will stop.
<b>The alarm symbol  flashes in the display.</b>	The temperature in the freezer zone has risen above or fallen below the temperature which has been set. Possible reasons for this include: <ul style="list-style-type: none"><li>– The appliance door has been opened too frequently.</li><li>– A large quantity of fresh food has been placed in the freezer without switching on the Super-Freeze function.</li><li>– A prolonged power cut (mains outage) has occurred.</li></ul> ■ Rectify the cause of the alarm. The alarm symbol  will go out, and the alarm will stop sounding. Depending on the temperature displayed, you should check whether food in the freezer has started to thaw or has defrosted. If it has, it should be used as soon as possible. Defrosted food may only be re-frozen after it has been cooked.

## Display warnings


Message	Cause and remedy
<p><b>The power failure symbol , appears in the display and the alarm tone sounds. The temperature display will show the warmest temperature recorded in the freezer during a power failure or an interruption to the power supply.</b></p>	<p>Indication of an <b>power failure</b>: the temperature in the refrigeration appliance over the last few days or hours has risen too high because of a power failure or interruption to the power supply.</p> <p>The refrigeration appliance will go back to the last temperature setting when the power is back on.</p> <ul style="list-style-type: none"> <li>■ Press the OK button.</li> </ul> <p>The warmest temperature displayed will disappear. The display will then revert to showing the current temperature in the freezer.</p> <ul style="list-style-type: none"> <li>■ Depending on the temperature displayed, you should check whether food in the freezer has started to thaw or has defrosted. If it has, it should be used as soon as possible. Defrosted food may only be re-frozen after it has been cooked.</li> </ul>

## Problem solving guide

### The interior lighting is not working.

Problem	Cause and remedy
<b>The interior lighting is not working.</b>	<p>The refrigeration appliance has not been switched on.</p> <ul style="list-style-type: none"><li>■ Switch the refrigeration appliance on.</li></ul> <p>To avoid overheating, the lighting switches itself off automatically after approx. 15 minutes if the appliance door is left open. If this is not the case, then there is a fault.</p> <div data-bbox="404 491 1038 783" style="border: 1px solid gray; padding: 5px;"><p> Risk of electric shock due to exposed, live electrical components.</p><p>When removing the lighting cover, there is a risk of coming into contact with live electrical components.</p><p>Do not remove the lighting cover. The LED lighting may only be repaired or replaced by the Miele Customer Service Department.</p></div> <div data-bbox="404 794 1038 1023" style="border: 1px solid gray; padding: 5px;"><p> Risk of injury from LED lighting.</p><p>This lighting corresponds to risk group RG 2. If the cover is defective, there is a risk of eye injury.</p><p>If the lighting cover is defective, do not look from a close range directly into the lighting with optical instruments (e.g. magnifying glass or similar).</p></div> <ul style="list-style-type: none"><li>■ Call the Miele Customer Service Department.</li></ul>

## Other problems

Problem	Cause and remedy
<p><b>The door to the freezer will not open because it has been opened and closed too many times in succession.</b></p>	<p>This is not a fault. The suction caused by opening and closing the door is preventing the door from opening. Wait approx. 1 minute and then try again. It should now open without force.</p>
<p><b>Food has frozen together.</b></p>	<p>The food packaging was not dry when placed in the freezer.</p> <ul style="list-style-type: none"> <li>■ Use a blunt instrument, e.g. a spoon handle or plastic scraper, to prise it apart carefully.</li> </ul>
<p><b>There is no audible alarm although the door has been open for a long time.</b></p>	<p>This is not a fault. The alarm tone has been switched off in settings mode (see “Selecting further settings – Audible signals 🎵”).</p>
<p><b>The  symbol lights up in the display. You cannot switch the appliance off.</b></p>	<p>The <b>safety lock</b> has been activated.</p> <ul style="list-style-type: none"> <li>■ Completely deactivate the safety lock (see “Selecting further settings – Activating and deactivating the safety lock”).</li> </ul>
<p><b>The external walls of the appliance feel warm.</b></p>	<p>This is not a fault. The heat created by the evaporator is used to prevent condensation.</p>

# Noises

Normal noises	What causes them
<b>Brrrrr ...</b>	A humming noise is made by the motor (compressor). This noise can get louder for brief periods when the motor switches on.
<b>Blubb, blubb ...</b>	A gurgling noise can be heard when coolant is circulating through the pipes.
<b>Click ...</b>	Clicking sounds are made when the thermostat switches the motor on and off.
<b>Sssrrrrr ...</b>	You can sometimes just hear the sound of the fan inside the appliance.
<b>Crack ...</b>	A cracking sound can be heard when materials expand inside the appliance.
Remember that the noise of the compressor and the coolant circulating in the system is unavoidable.	

Noises	Cause and remedy
<b>Rattling, vibrating</b>	The appliance is uneven. Realign the appliance using a spirit level. Do so by raising or lowering the screw feet underneath the appliance or place something underneath it.
	The appliance is touching another appliance or piece of furniture. Move it away.
	Drawers or shelves are unstable or sticking. Check all removable items and refit them correctly.
	Bottles or containers are touching each other. Separate them.
	The transport cable clips are hanging loose at the back of the appliance. Remove them.

## Contact in the event of a fault

In the event of any faults which you cannot remedy yourself, please contact your Miele dealer or the Miele Customer Service Department.

You can book a Miele Customer Service Department call-out online at [www.miele.com/service](http://www.miele.com/service).

Contact information for the Miele Customer Service Department can be found at the end of this document.

Please quote the model identifier and serial number of your appliance (Fabr./SN/Nr.) when contacting the Miele Customer Service Department. This information can be found on the data plate.

Please note that telephone calls may be monitored and recorded for training purposes and that a call-out charge will be applied to service visits where the problem could have been resolved as described in this booklet.

The data plate can be found inside the appliance.

## EPREL database

From 1 March 2021, information on energy labelling and ecodesign requirements will be available in the European Product Database (EPREL). You can find the product database at the following link <https://eprel.ec.europa.eu/>. You will be asked to enter the model identifier.

The model identifier can be found on the data plate.

<b>Miele</b>			
XXXXXX	Nr. XX/XXXXXXXXXX		
<small>                 WEINTEMPERATURSCHRANK-INTERTECHNICHELL                  MULTITEMPERATURE WINE STORAGE CABINET/UNDERA/WORKTOP                  ARMOIRE DE MISE EN TEMPERATURES VIN/SHOCK ENCASTRABLE SOUS PLAN                  ARMARIO DE PLACACIONES VINO, VINOCHOC/DE POTRAJO EN OBLERA                  БИРНИК/ТЕМПЕРАТУРНИ ШКАФ             </small>			
<small>Klasse/Class Classe/Clase SN-ST</small>	<small>Ap-Type/AP-Type AP-Type/AP-Type</small>	<small>Bruttinhalt/Brut Capacity Volume Brut/Capacidad Bruta</small>	<small>Gefriervermögen/Freezing Capacity Pouvoir de Congel/Capac. Congeladora</small>
<small>Nutzhalt Net Capacity Volume Ut e Capac. Util</small>	<small>Ges / K / G / W/EIN / KALT Tot / R / F / WINE / CHILL To / R / C / WINE / CHILL Tot / F / C / WINE / CHILL</small>	<b>R600a: XXg</b>	

## Warranty

The appliance warranty is valid for 2 years from date of purchase. In the UK, you must activate your cover by calling 0330 160 6640 or registering online at [www.miele.co.uk](http://www.miele.co.uk).

For more information on country-specific warranty terms and conditions, please contact Miele Customer Service.

## Information for dealers

---


### Demo mode

The appliance can be demonstrated in the showroom or at exhibitions in “Demo mode”. In this mode the control panel and interior lighting are active but the compressor remains switched off, so that the appliance does not cool down.


### Switching on demo mode




- Switch the appliance off by touching the On/Off sensor.  
If this does not work, the safety lock is activated.

The temperature display will go out and the mains connection symbol  will appear.







- Place your finger on the  sensor, and leave it there.



- At the same time, briefly touch the On/Off sensor (without letting go of the  sensor).



- Leave your finger on the  sensor until the  symbol appears in the display.
- Then release the  sensor.


Demo mode is turned on and the  symbol is illuminated in the display.

## Switching off Demo mode


The  symbol is lit up in the display.



- Touch the settings sensor.



All symbols available for selection will appear in the display and the  symbol flashes.




- Touch the sensors for setting the temperature ( $\nabla$  or  $\blacktriangle$ ) repeatedly until the  symbol flashes.



- Touch the OK sensor to confirm your selection.


 flashes in the display (means: Demo mode is switched on) and the  symbol lights up.



- Touch the  $\nabla$  or  $\blacktriangle$  sensor until  appears (means: Demo mode is switched off).




- Touch the OK sensor to confirm your selection.

The selected setting is applied, the  symbol flashes.



- Touch the settings sensor to leave settings mode. Otherwise the appliance exits settings mode automatically after approximately one minute.

Demo mode is switched off, the  symbol goes out.

# Installation


## Installation

### Side-by-side


FNS 35402 i and FNS 37402 i freezers have two foamed in side-wall heaters enabling them to be installed side-by-side with other appliances. Each appliance must be installed in its own niche.

Your dealer will be able to advise you on which combination of models is possible.

### Location

 Danger of damage and injury due to the refrigeration appliance tipping over.

This refrigeration appliance must be built in, otherwise it could tip over. Keep the appliance door(s) shut until the refrigeration appliance has been built in and secured in its housing in accordance with these operating and installation instructions.

 Fire risk and risk of damage from appliances which give off heat.

Appliances which give off heat can catch fire and set fire to the refrigeration appliance. This refrigeration appliance must not be installed underneath a hob.


This appliance should be installed in a dry, well-ventilated room.

When deciding where to install your refrigeration appliance, please bear in mind that it will use more energy if installed near to a heater, a cooker or other appliance that gives off heat. Direct sunlight should also be avoided.

The higher the room temperature, the longer the compressor runs and the higher the energy consumption is.

When installing the refrigeration appliance, please note:

- The socket must be easily accessible in an emergency, not concealed behind the appliance.
- The plug and power cable must not touch the rear of the refrigeration appliance as they could be damaged by vibrations from the appliance.
- Do not plug in other appliances behind this refrigeration appliance.

 Risk of damage due to high humidity.

In environments with high humidity, condensation can build up on external refrigeration appliance panels, which can cause corrosion.

Install the refrigeration appliance in a dry and/or air-conditioned room with sufficient ventilation.

After installation, make sure that the appliance door closes properly, the ventilation gaps are not covered and that the refrigeration appliance has been installed in accordance with the operating and installation instructions.

## Climate range

The appliance is designed for use within a certain climate range (ambient temperature) and should not be used outside this range.


Operating in a room which is too cold will cause the compressor to switch off for too long, causing the temperature inside the appliance to rise with the risk of food deteriorating and going off.

The climate range is stated on the data plate inside the appliance.

Climate range	Ambient room temperature
SN	+10 to +32 °C
N	+16 to +32 °C
ST	+16 to +38 °C
T	+16 to +43 °C

A freezer from the SN climate range can operate without any difficulties in rooms with a cooler ambient temperature (down to +5 °C).

## Ventilation

 Risk of fire and damage due to insufficient ventilation.

If the refrigeration appliance is not ventilated sufficiently, the compressor will run more frequently and for longer periods. This will result in increased energy consumption and a higher operating temperature for the compressor. This may, in turn, cause damage to the compressor.

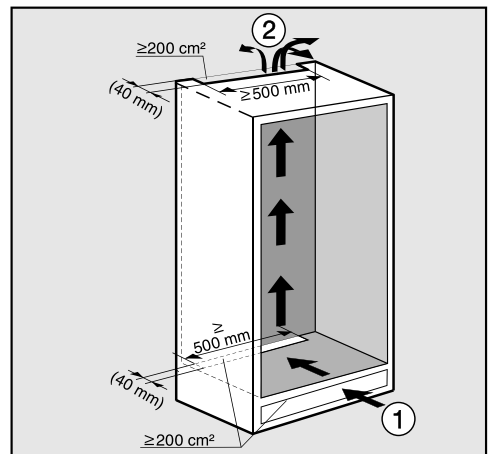
Please ensure that there is adequate ventilation around the refrigeration appliance.

It is essential to observe the required ventilation gaps.

The ventilation gaps must not be covered or blocked in any way.

They must also be regularly dusted.

Air at the back of the refrigeration appliance gets warm. The appliance housing unit must therefore be constructed to allow sufficient space for ventilation (see “Installation dimensions”):



# Installation

- Air intake occurs via the plinth ① at the bottom of the appliance and the air escapes at the top ② at the back of the housing unit.
- A ventilation gap of at least 40 mm depth must be allowed behind the refrigeration appliance for air to circulate.
- The ventilation cross-sections in the plinth, housing unit and above the appliance must each provide an unobstructed airflow of at least 200 cm<sup>2</sup> to ensure that warm air can circulate without hindrance.

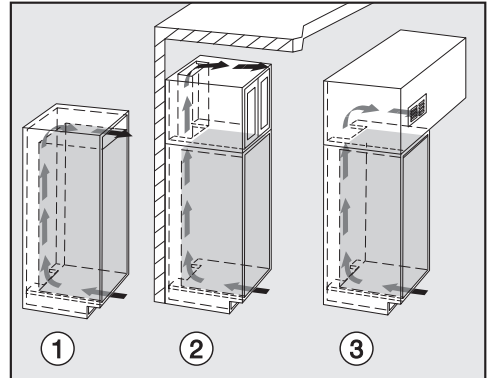
If ventilation grilles are to be inserted into the ventilation gaps, the ventilation gaps must be larger than 200 cm<sup>2</sup>. The unobstructed airflow of 200 cm<sup>2</sup> is calculated by adding up the total area of ventilation openings in the grilles.

- Important. The larger the ventilation gaps, the less energy the refrigeration appliance will use.

The ventilation gaps must not be covered or blocked in any way. They must also be regularly dusted.

## Top ventilation gap

The ventilation gap at the top of the appliance can be constructed in different ways:



- ① directly above the appliance with a ventilation grille (free airflow of at least 200 cm<sup>2</sup>)
- ② between the kitchen furniture and the ceiling
- ③ in a suspended ceiling

## Furniture door panel

### Horizontal and vertical gaps

Depending on the style of kitchen furniture, the thickness and edge radius of the furniture door panel and the gap that runs around the door, vertically and horizontally, are specified.

It is essential to pay attention to the following:

#### - Horizontal gap

The gap between the furniture door panel and the housing unit door above or below it must be at least 3 mm.

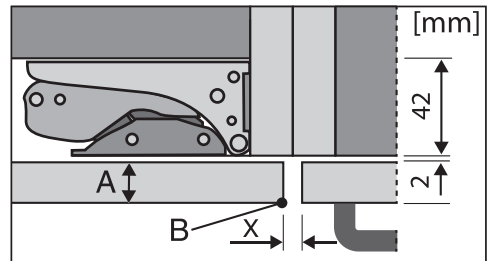
#### - Vertical gap

If the gap between the refrigeration appliance furniture door panel and the adjoining housing unit door or wall on the hinged side is too small, the appliance door could collide with the adjoining housing unit door or wall when opened.

It may be necessary to adjust the size of this gap to suit the thickness and edge radius of the appliance furniture door.

This must be taken into consideration when planning your kitchen and when replacing an old refrigeration appliance with a new one to ensure the installation conditions required are met.

Appliance furniture door thickness <b>A</b> [mm]	Gap <b>X</b> [mm] for different edge radii <b>B</b>			
	R0	R1.2	R2	R3
≥16–19	min. 3			
20	5	4	4	3.5
21	5.5	5	4.5	4
22	6.5	6	5.5	5

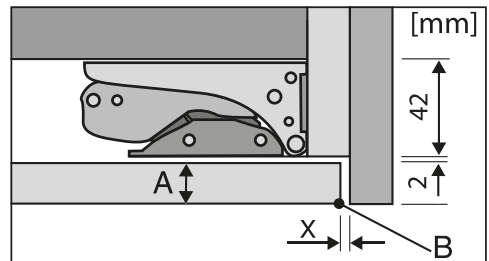


Adjoining kitchen furniture front

A = Furniture front thickness

B = Edge radius

X = Gap



Adjoining side wall

A = Furniture front thickness

B = Edge radius

X = Gap

**Tip:** Fit a spacer between the housing unit carcass and the side wall. This way you will get a sufficiently wide gap.

# Installation

## Weight of the furniture door

⚠ If the furniture door panel is too heavy, this can cause damage. Fitting a furniture door panel which is heavier than the maximum permitted weight could damage the hinges. This can cause subsequent functional problems.

Before fitting a furniture door, ensure that the weight of the door does not exceed the maximum permitted.

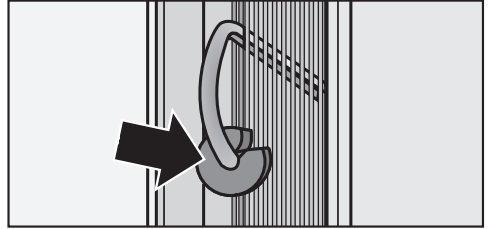
Refrigeration appliance	Maximum weight of furniture door in kg
-------------------------	--

<b>FN 37402 i, FNS 35402 i, FNS 37402 i, FNS 37405 i,</b>	26
---	----

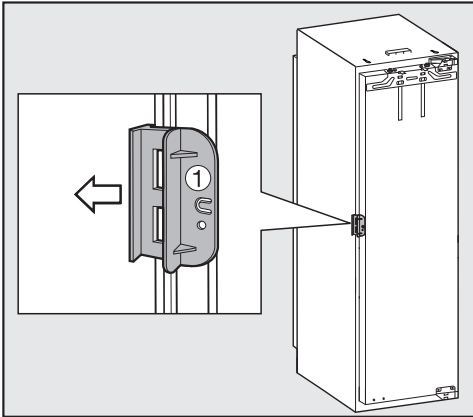
When fitting large or divided furniture doors, an extra fitting kit or set of fixing brackets should be used. These are available to order from the Miele Customer Service department or dealers.

## Before installing the appliance

- Take the accessory pack which includes installation parts and other accessories out of the appliance and remove the packaging strap holding the door in place.
- **Do not remove** the following from the back of the appliance:



- The spacers (depending on model) These ensure the gap required between the back of the appliance and the wall is maintained.
- The bags (depending on model) located inside the metal grille (heat exchanger). These are important for the correct functioning of the appliance. Their contents are non-toxic and are not dangerous.
- Remove the cable clip from the back of the appliance.



- Open the appliance door and remove the red safety catch ① (depending on model).

## Does your old appliance have a different hinging mechanism?

If your old appliance had a different type of hinging, the furniture door can still be used. Remove the old hinges from the housing unit. They are no longer required because the furniture door is now fitted to the appliance door. All the necessary parts are supplied or can be ordered from Miele.

## Stainless steel front

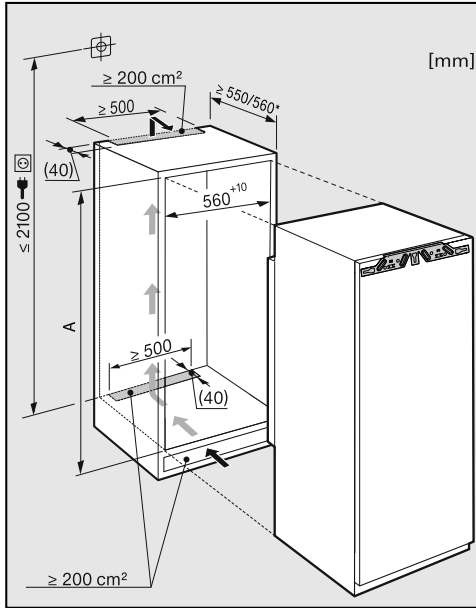
(depending on model)

If your old appliance had different hinging and you cannot, or do not wish to use your old door, you can use a stainless steel front instead.

Contact Miele for information on suitable stainless steel fronts.

# Installation

## Building-in dimensions



\* The declared energy consumption was calculated in a 560 mm deep niche. The refrigeration appliance is fully functional in a 550 mm niche but the energy consumption will be slightly higher.

Before installation, ensure the the housing unit dimensions are the correct size. The specified ventilation cross-sections must be adhered to in order to ensure the correct functioning of the refrigeration appliance.

	<b>Niche height [mm] A</b>
<b>FN 37402 i</b>	1772–1788
<b>FNS 35402 i</b>	1397–1413
<b>FNS 37402 i</b>	1772–1788
<b>FNS 37405 i</b>	1772–1788

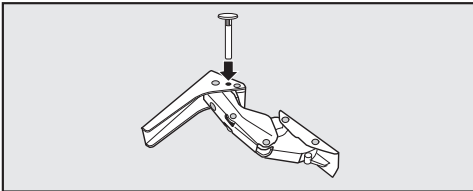
## Limiting the opening angle of the appliance door

The door hinges are set ex works to enable the appliance door to be opened wide.

However if the opening angle of the appliance door needs to be limited for any reason, the hinge can be adjusted to accommodate this.

If the appliance door hits an adjacent wall when opened, for example, the opening angle can be limited to approx. 90°:

The locking pins for limiting the door opening must be fitted before the refrigeration appliance is installed.



- Insert the locking pins supplied for limiting the door opening into the hinges from above.

The appliance door opening angle is now limited to approx. 90°.

## Changing the door hinging

If the model number for your refrigeration appliance **does not** include the letter “S”, it is supplied with hinges on the right. If left-hand hinging is required, the hinges must be changed.

If the model number for your refrigeration appliance includes the letter “S”, it is supplied with hinges on the left. Do not change the hinging if this appliance is going to be installed side by side with a refrigerator. The freezer must be installed to the left of the refrigerator in a separate building-in niche. If right-hand hinging is required, the hinges can be changed.

⚠ Always change the door hinging with the assistance of another person.

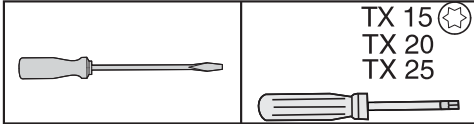
If the door seal is damaged or has slipped out of its groove, the appliance door may not close properly and cooling performance will be reduced. Condensate will build up in the interior cabinet and this can cause a build-up of ice.

Do not damage the door seal and ensure it does not slip out of its groove.

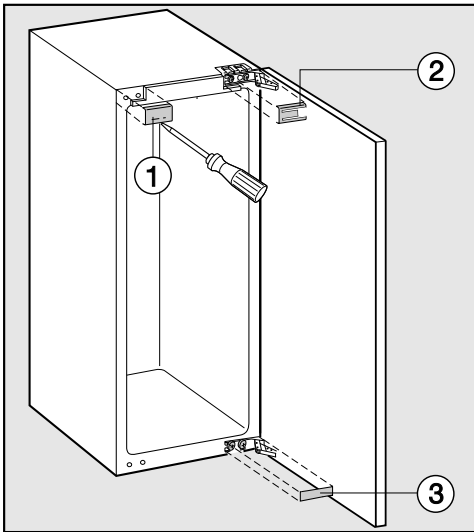
# Installation

## Preparing to change the door hinging

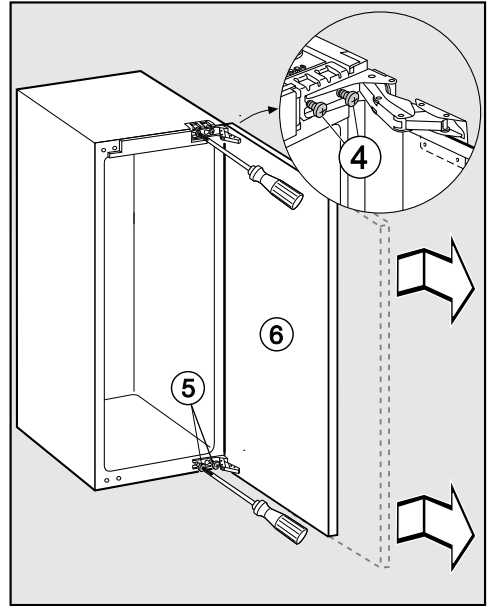
To change the door hinging, you will need the following tools:



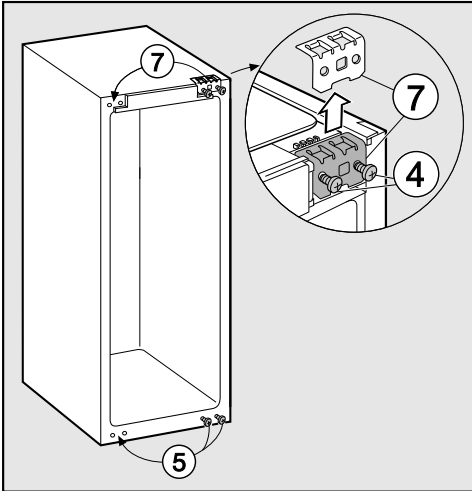
- Place a suitable cover on the floor in front of the appliance to protect the appliance door and your floor from damage.
- Open the appliance door.



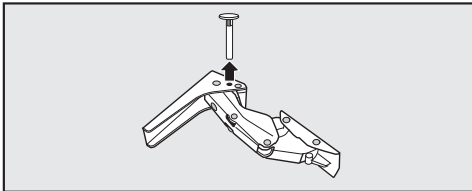
- Lift off the covers ①, ② and ③.



- Slightly loosen the screws ④ and ⑤ in the hinges.
- Push the door ⑥ outwards, take it off its hinges and place it to one side.



- Undo the screws ④ completely.
- Fit the bracket ⑦ on the opposite side and loosely fit the screws ④.
- Remove the screws ⑤ completely and loosely screw them in on the opposite side.

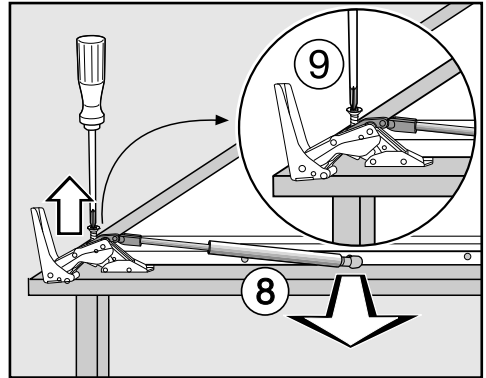


- If you have put locking pins into the hinges to stop the door opening too far, remove the locking pins from the top of the hinges.

## To remove the soft-close mechanism

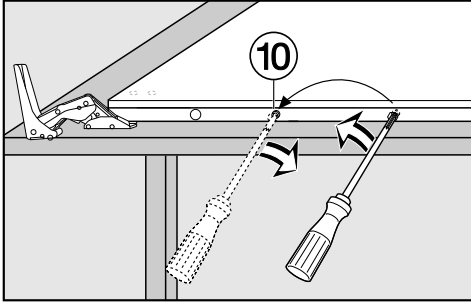
⚠ Warning. The soft-close mechanism snaps shut when dismantled. Danger of injury.

- Place the door with the outer side downwards on a stable surface.



- Remove the soft-close mechanism ⑧ from the ball joint.
- Unscrew holder ⑨ and remove the soft-close mechanism ⑧.

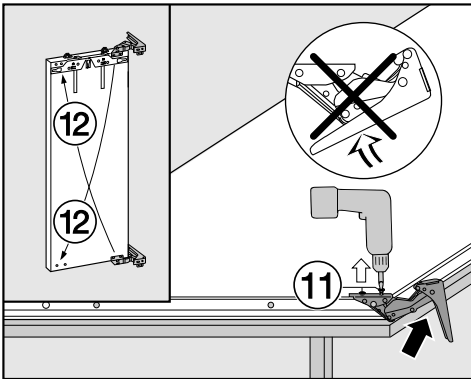
# Installation



- Undo ball joint ⑩ using a screwdriver and reposition and secure it as shown.
- Now turn the appliance door over so that the outer side is now facing upwards (the hinges remain open).

Danger of injury.

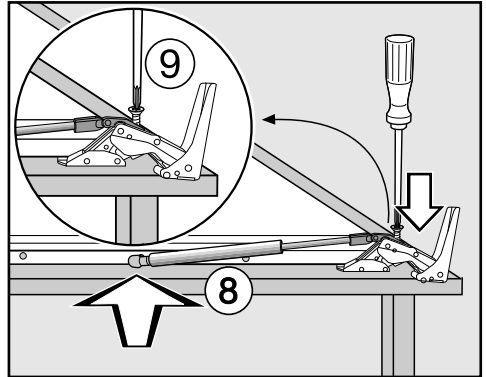
**Do not** close the hinges.



- Remove screws ⑪ completely.
- Replace the hinges in their diagonally opposite corners ⑫.

## To secure the soft-close mechanism

- Turn the appliance door over again so that the outer side is now facing downwards.

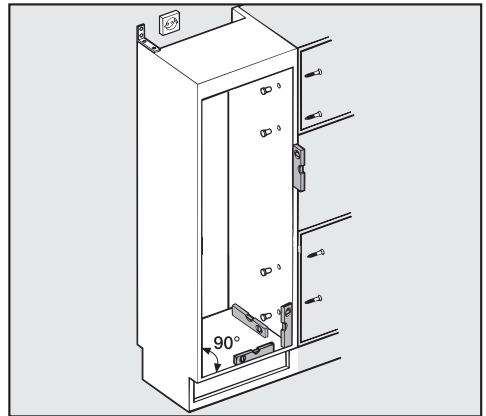


- Screw holder ⑨ onto the hinge and tighten securely.
- Open out soft-close mechanism ⑧ and hook it into the ball joint.

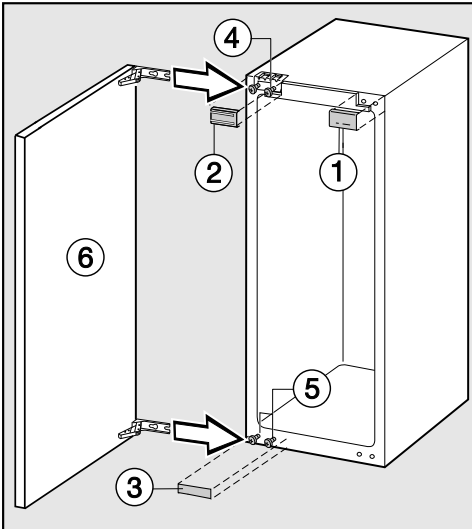
## Installing the appliance

Two people are required for installing the appliance.

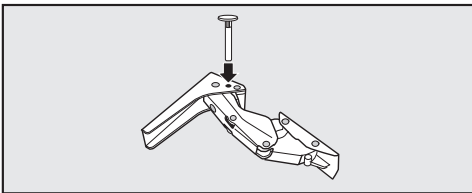
- Install the appliance in a stable, solid housing unit, positioned on an even and level floor.
- Secure the housing unit against tipping.



- Use a spirit level to align the housing unit. The corners of the housing unit must be at 90° angles to each other, otherwise the door will not sit straight on all 4 corners.
- The required ventilation gaps must be provided (see “Installation” – “Installation notes”).



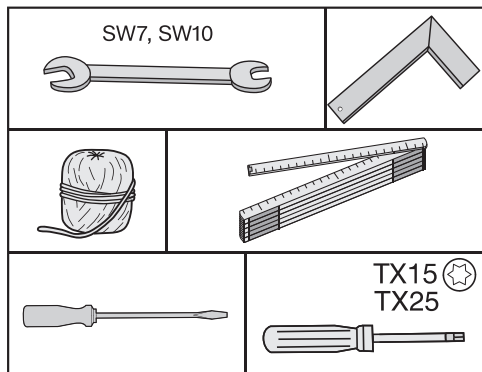
- Hang appliance door ⑥ onto pre-fitted screws ④ and ⑤, and tighten screws ④ and ⑤ securely.
- Replace covers ①, ② and ③.



- Refit the locking pins into the top of the hinges to prevent the door opening too far.

# Installation

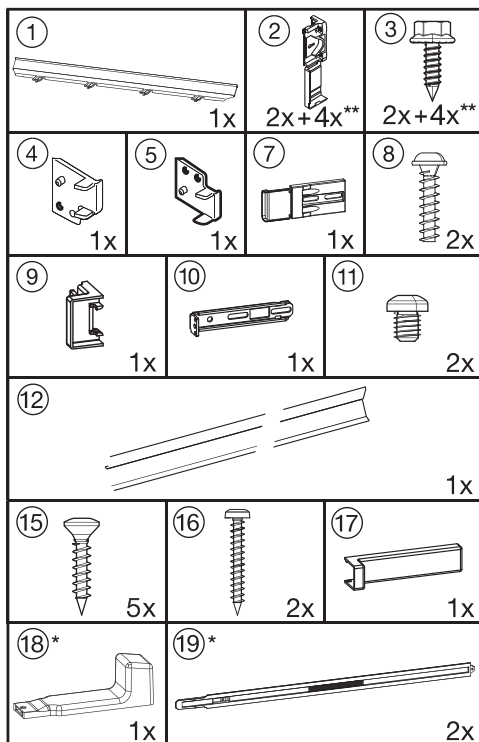
To install the appliance, you will need the following tools:



## Parts required for installation:

All installation parts are number coded. This coding is also used in the installation instructions.

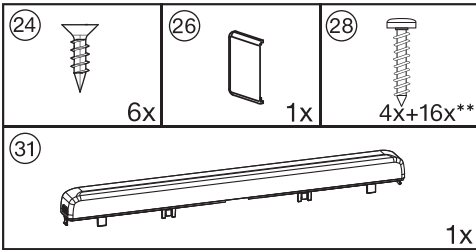
- For installing the appliance in its housing unit:



\* These parts are only supplied with appliances with a niche height of 140 cm or more.

\*\* Quantity depends on niche height; max. quantity applies to appliances requiring niche height of 140 cm or more (also contains additional installation parts for fitting large or divided furniture doors).

## - For fitting the furniture door:

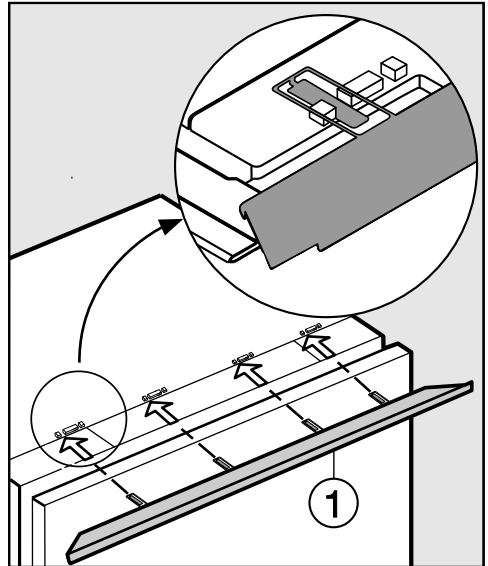


\*\* Quantity depends on niche height. Also contains additional installation parts for fitting large or divided furniture doors.

All fitting instructions given are for a **right-hand hinged** appliance. If you have converted the appliance to left-hand hinging, you will need to adapt these instructions accordingly.

## Preparing the appliance

- Position the appliance in front of the housing unit.



- Slide the cover strip ① into the holders as shown.

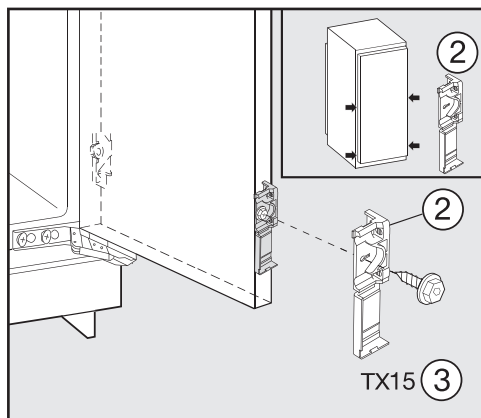
If the appliance is hinged on the left, slide the tabs of the cover strip into the right-hand opening of the holder.

# Installation

**⚠ Risk of damage to the fixing bracket and cover.**

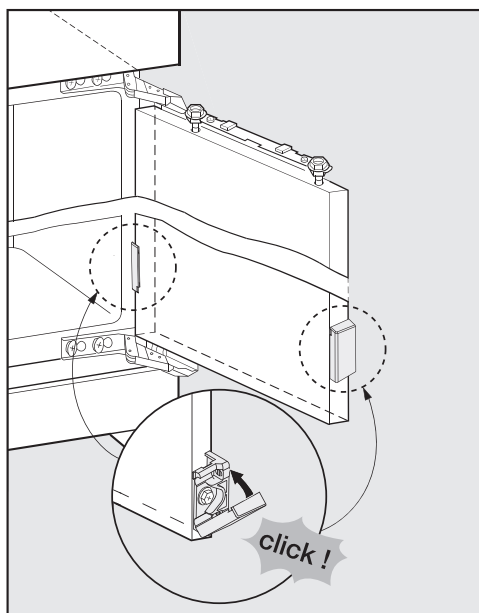
The cover on the fixing bracket can easily become detached.

Always close the cover as soon as you have finished working on the bracket.



- Loosely screw the fixing brackets ② into the pre-drilled holes in the appliance door using hex screws ③.

**Tip:** Secure a pair of fixing brackets in the handle area of the door.

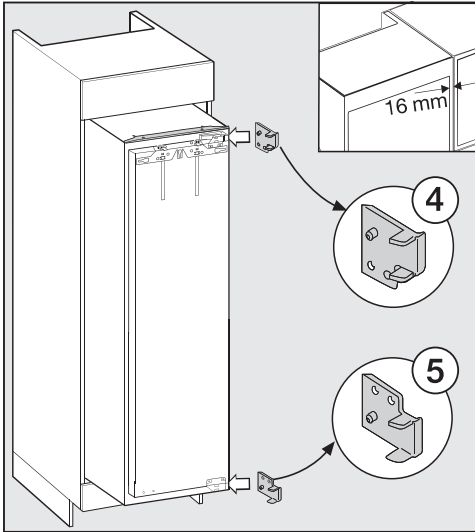


- Close the covers.
- Push the appliance two thirds of the way into the building-in niche. When pushing the appliance into its niche, make sure that the mains cable does not get trapped.

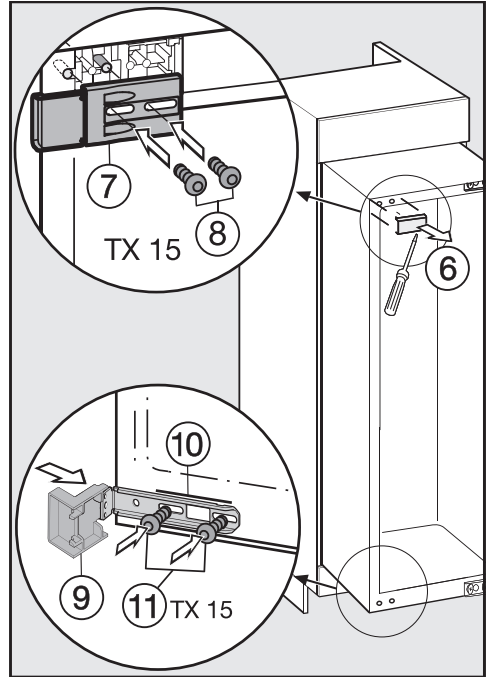
**Tip:** To help you push it into position, tie a piece of string around the plug to “lengthen” the power cable.

Then pull the cable by the end of the string through the housing unit. It will then be easier to connect once the appliance is in the unit.

With 16 mm thick unit walls only:



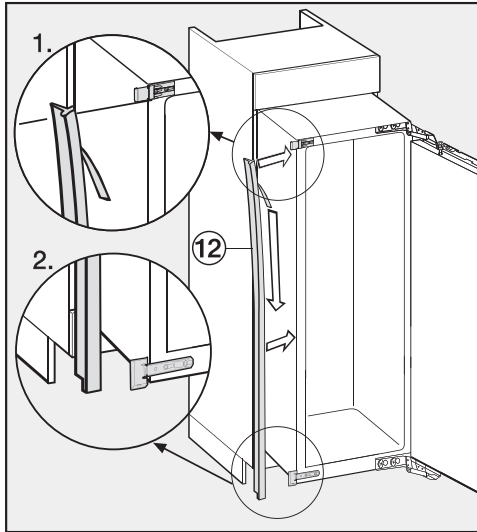
- Clip spacers ④ and ⑤ on the right-hand side of the hinges.
- Open the appliance door.



- Remove the cover ⑥.
  - Loosely fit the connecting bracket ⑦ using the screws ⑧.
- Tip:** Do not tighten the screws so that you can adjust the position of the connecting bracket.
- Fit the stopper ⑨ onto the fixing bracket ⑩.
  - Loosely fit the fixing bracket ⑩ using the screws ⑪.

**Tip:** Do not tighten the screws so that you can adjust the position of the connecting bracket.

# Installation

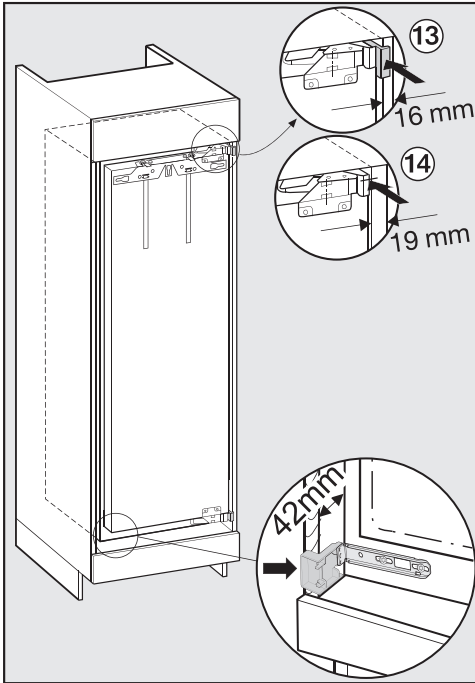


## Installing the appliance

If the appliance is pushed too far into the niche, the appliance doors may not close properly once the furniture door has been fitted. This can cause ice to build up, condensate to accumulate and lead to faults in the appliance. These can all lead to increased energy consumption.

Push the appliance into the building-in niche making sure a gap of **42 mm** is maintained all round between the appliance carcass and the front of the housing unit side walls.

- Carefully remove the protective foil from the sealing strip ⑫.
  - Fix the sealing strip ⑫ flush with the front of the appliance on the door opening side.
1. Position the sealing strip flush with the lower edge of the top connecting bracket.
  2. Stick it down along its entire length.



Important for furniture with door fittings (e.g. stubs, seals, etc.).

Take the dimensions of the fittings into account.

Check to make sure there is a gap all round of **42 mm** to the front edges of the door fittings.

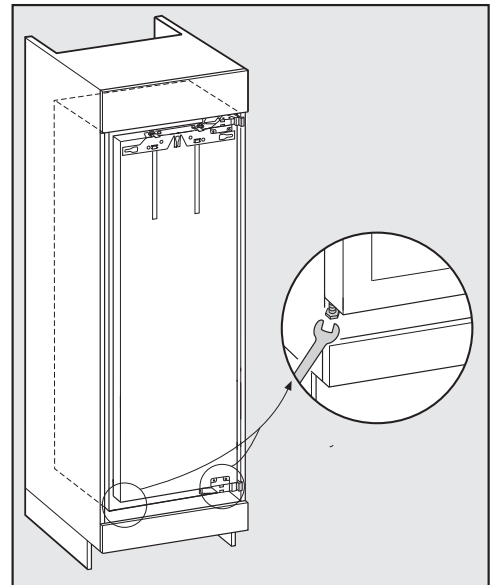
- Pull the refrigeration appliance forwards by the appropriate dimension.

**Tip:** If possible, remove the door fittings and push the refrigeration appliance into the niche until all fixing brackets at the top and bottom are touching the front edge of the housing unit side wall.

- Push the appliance into the niche until all fixing brackets at the top and bottom are in line with the front edge of the housing unit side wall.

- ⑬ **With 16 mm thick walls:**  
The spacers should touch the front edge of the housing unit side walls at the top and bottom.
- ⑭ **With 19 mm thick walls:**  
The front edges of the top and bottom hinges should be flush with the front edge of the housing unit side wall.

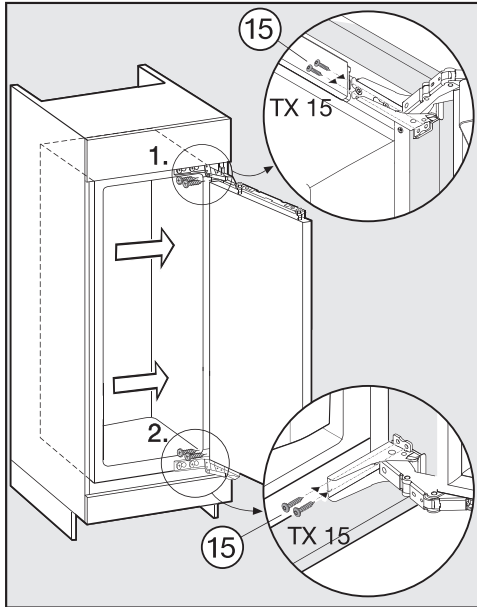
This will create a gap all round of **42 mm** to the front edges of the housing unit side walls.



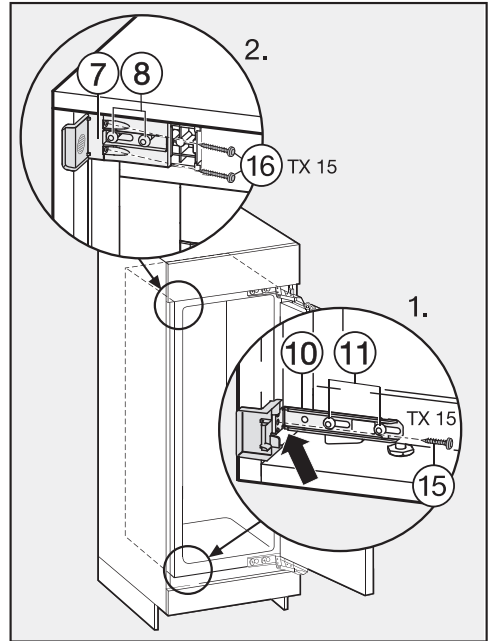
- Align the appliance on both sides by altering the adjustable feet using the spanner supplied.

# Installation

## Securing the refrigeration appliance in the niche



- Press the appliance against the side of the housing unit on the hinge side.
- Screw the chipboard screws ⑮ through the hinge plates at the top and bottom to secure the appliance to the housing unit.



- Push the loose fixing brackets against the housing unit wall.
- Secure the fixing bracket ⑩ to the housing unit side wall with the screw ⑮.

**Tip:** Pre-drill the hole.

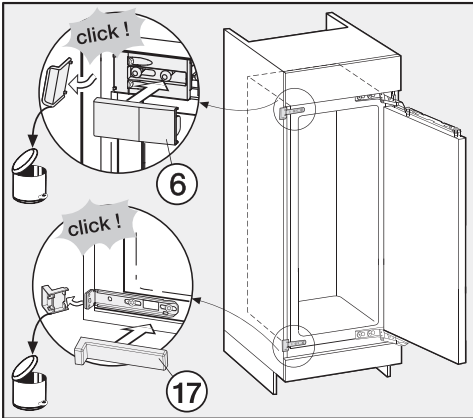
The appliance must not pull back into the unit, as otherwise the gap of 42 mm will not be maintained all the way round.

Using your thumb, push the protruding bracket towards the housing unit wall whilst tightening the screws.

- Secure the fixing bracket ⑦ to the housing unit side wall with the screws ⑯.

**Tip:** Pre-drill the holes.

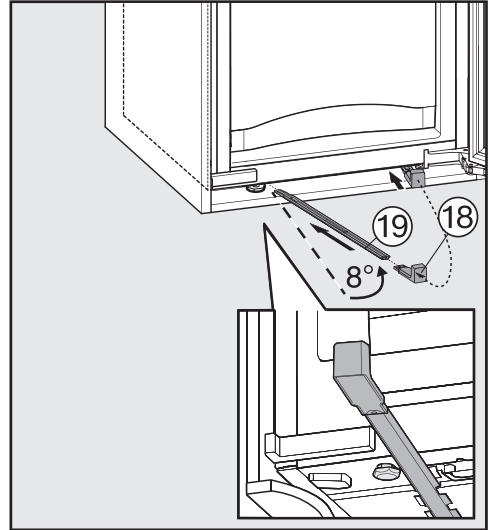
- Re-tighten screws ⑧ and ⑪.



- Snap off any protruding ends from the fixing brackets. They are no longer required and can be disposed of.
- Replace covers ⑥ and ⑰ on the fixing brackets.

## Only for an appliance with a niche height greater than 140 cm

To enhance the stability of the appliance in the unit, push the rods supplied in underneath the appliance between it and the floor of the housing unit:



- First secure the handle ⑱ to one of the stabilising rods ⑲.
- Push the stabilising rod ⑲ into the guide hole as far as it will go. Remove the handle ⑱, fit it to the other rod supplied and push this into its guide as far as it will go.

**Tip:** Keep the handle somewhere safe in case you ever need to fit the appliance into a new housing unit.

- Close the appliance doors.

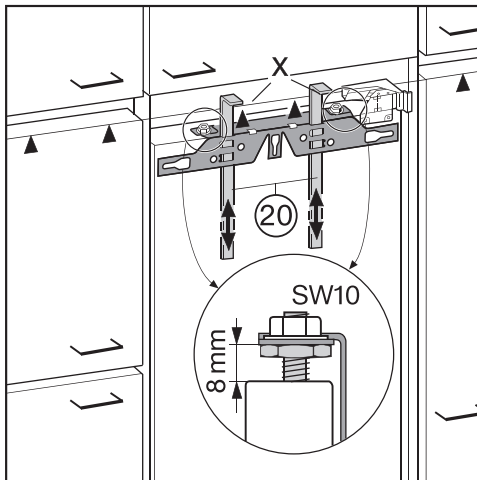
# Installation

## Fitting the furniture door

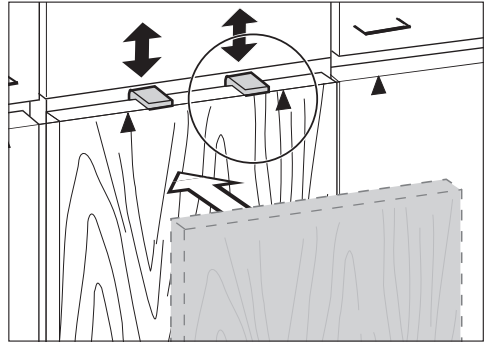
If fitted in a run of units make sure that the top edge of the furniture door is at the same height as neighbouring unit doors.

The furniture door must be fitted correctly and not under tension.

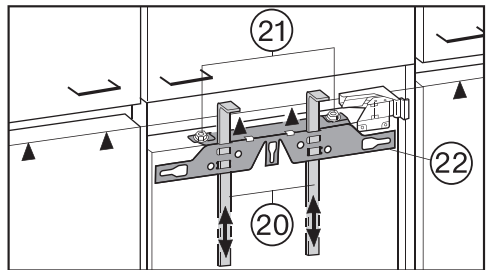
The next section gives instructions on how to fit a furniture door that is at least 16–19 mm thick.



- The distance between the appliance door and the fixing bracket is set to 8 mm at the factory. Check this distance and adjust it if necessary.
- Push the fitting aids ⑳ up to the height of the furniture door: the lower edge X of the fitting aids must be be at the same height as the upper edge of the furniture door being fitted (see ▲ in diagram).

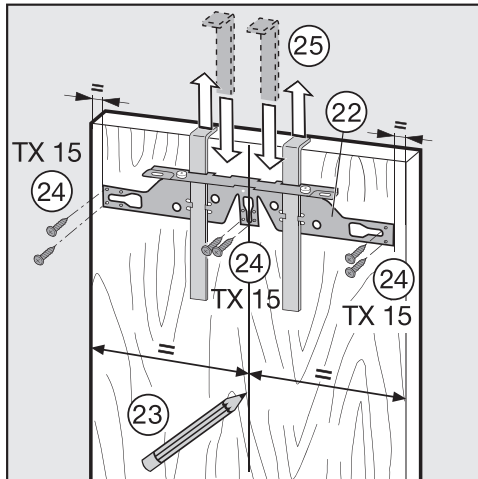


**Tip:** Push up the fitting aids with the furniture front until they are at the same height as the doors of adjacent kitchen units.



- Undo the nuts ⑴ and take the fixing bracket ⑵ off together with the fitting aids ⑶.

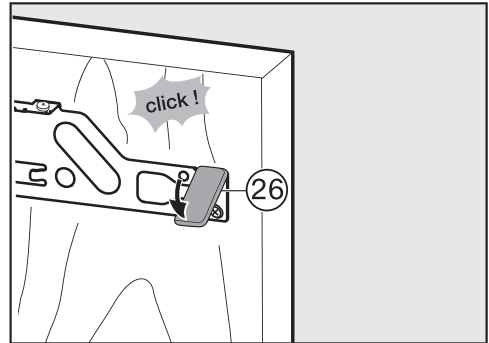
- Place the furniture door with the outer side downwards on a stable surface.



- Using a pencil, lightly mark a line down the centre of the inside of the furniture door (23).
- Hang the fixing bracket (22) with the fitting aids onto the **inside** of the furniture door. Align the fixing bracket centrally.
- Attach the fixing bracket securely using at least 6 short chipboard screws (24). (On cassette doors only use 4 screws on the edges).

**Tip:** Pre-drill the holes.

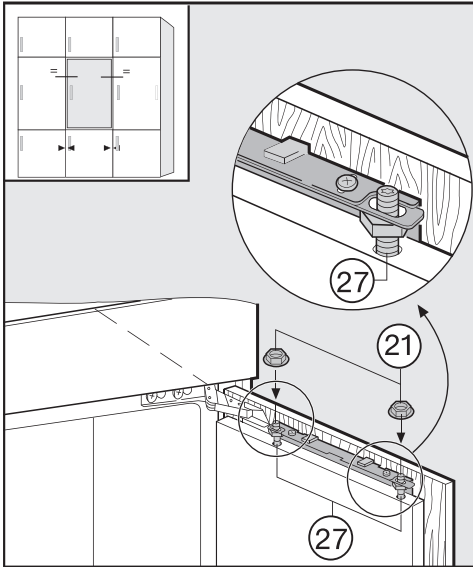
- Pull the fitting aids upwards to remove them (25). Turn them around and fit them into the middle slots on the fixing bracket for safe keeping.



- Slide the side cover (26) onto the fixing bracket on the side opposite the hinge.
- Turn the furniture door over and attach the handle (if required).

# Installation

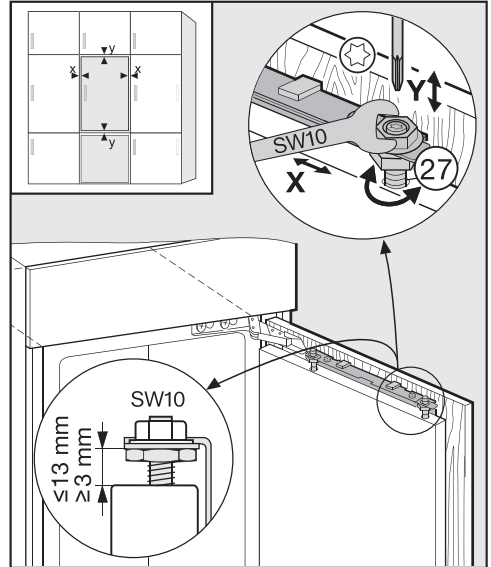
- Open the appliance door.



- Hang the furniture door onto the adjusting bolts (27).
- Loosely attach the nuts (21) on the adjusting bolts.

## Aligning the door

Check the distance between the door and adjacent furniture doors. The distance should be the same.



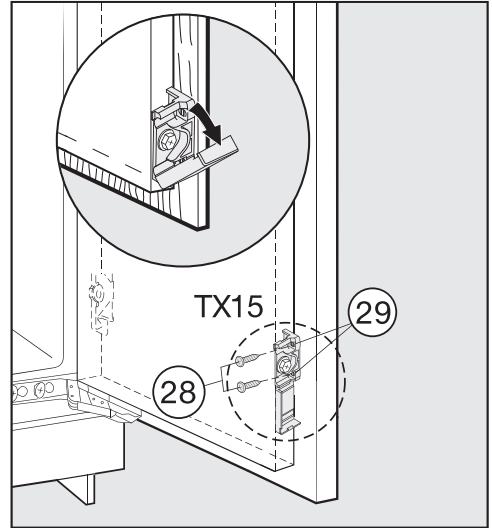
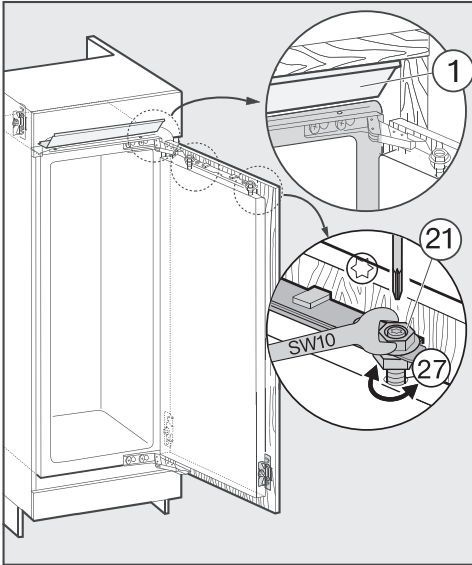
## X: side adjustments

- Slide the furniture door.

## Y: height adjustment

A gap of 8 mm is set between the appliance door and the fixing bracket. This must only be adjusted within its permitted range.

- Use a screwdriver to adjust the bolts (27).



- Open the cover.
- Fit the screws (28) into the holes (29).

**Tip:** Pre-drill the holes.

⚠ Risk of damage to the fixing bracket and cover.

The cover on the fixing bracket can easily become detached.

Always close the cover as soon as you have finished working on the bracket.

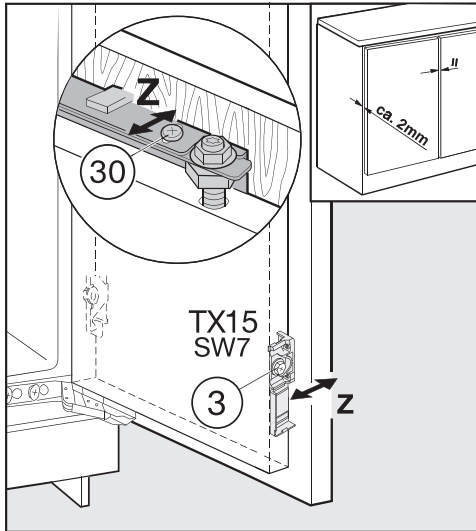
- Close the door.

- Whilst counterholding the adjusting bolts (27) with a screwdriver, tighten the nuts (21) with a spanner.
- The cover strip (1) must be completely hidden in the niche and must not protrude.

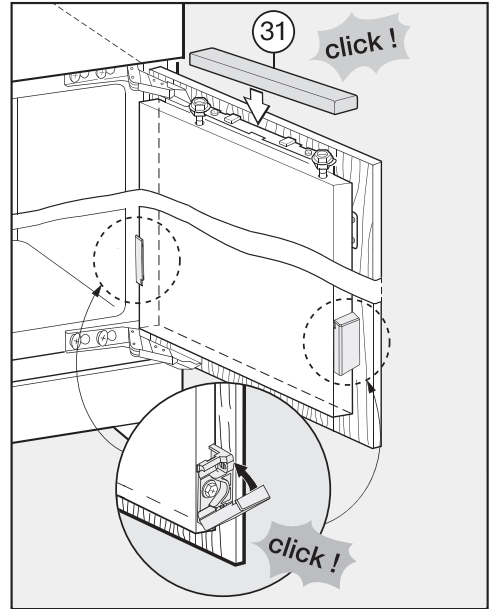
# Installation

## Z: depth adjustment

Check the distance between the furniture door and the housing unit. A distance of approx. 2 mm is required.



- Loosen the screws ③ at the top of the appliance door and the screw ③① at the bottom of the fixing bracket.
- Tighten all the screws again.



- Replace the cover ③① and click it into place.
- Close the covers on the fixing brackets.

**To make sure the appliance is correctly fitted:**

- The door must close properly.
- The door must not touch the housing unit.
- The seal at the top edge of the handle side must fit properly.
- To double check place a torch in the appliance and close the door. Turn the lights out in the room. If you can see any light shining out from the sides double check the installation.


# Installation

---

## Electrical connection

The appliance is supplied with a mains cable and moulded plug ready for connection to an AC single-phase 220–240 V 50 Hz supply.

The fuse rating must be at least 10 A.

This appliance must be connected to a suitable switched socket. The electrical installation must be in compliance with current local and national safety regulations, (e.g. VDE 0100 in Germany / BS 7671 in the UK). We recommend the use of a suitable RCD .

The socket must not be concealed behind the appliance and must be easily accessible so that the appliance can be quickly disconnected from the electrical supply in case of an emergency.

If the socket is no longer accessible after installation, an additional means of disconnection must be provided for all poles. Suitable means of disconnection include switches with an all-pole contact gap of at least 3 mm. These include miniature circuit breakers, fuses and contactors (EN 60335).

The mains plug and mains connection cable must not come into contact with the back of the appliance as vibrations can cause damage to these components. This could result in a short circuit.

Do not plug in other appliances behind this appliance.

Do not connect the appliance to the mains electricity supply by an extension lead. Extension leads do not guarantee the required safety of the appliance (e.g. danger of overheating).

Do not connect the appliance to a stand-alone inverter such as those used with an autonomous energy source e.g. **solar power**.

When the appliance is switched on, power surges could result in a safety switch-off. This could damage the electronic module. The appliance must not be used with so-called **energy saving devices** either. These reduce the amount of energy supplied to the appliance, causing it to overheat.

If the mains cable needs to be replaced, this must be performed by a qualified electrician.

## United Kingdom

Miele Co. Ltd., Fairacres, Marcham Road, Abingdon, Oxon, OX14 1TW

Tel: 0330 160 6600, Internet: [www.miele.co.uk/service](http://www.miele.co.uk/service), E-mail: [info@miele.co.uk](mailto:info@miele.co.uk)

### Australia

Miele Australia Pty. Ltd.  
ACN 005 635 398  
ABN 96 005 635 398  
1 Gilbert Park Drive  
Knoxfield, VIC 3180  
Tel: 1300 464 353  
Internet: [www.miele.com.au](http://www.miele.com.au)

### China Mainland

Miele Electrical Appliances Co., Ltd.  
1-3 Floor, No. 82 Shi Men Yi Road  
Jing' an District  
200040 Shanghai, PRC  
Tel: +86 21 6157 3500  
Fax: +86 21 6157 3511  
E-mail: [info@miele.cn](mailto:info@miele.cn)  
Internet: [www.miele.cn](http://www.miele.cn)

### Hong Kong, China

Miele (Hong Kong) Ltd.  
41/F - 4101, Manhattan Place  
23 Wang Tai Road  
Kowloon Bay, Hong Kong  
Tel: (852) 2610 1025  
Fax: (852) 3579 1404  
Email:  
[customerservices@miele.com.hk](mailto:customerservices@miele.com.hk)  
Website: [www.miele.hk](http://www.miele.hk)

### India

Miele India Pvt. Ltd.  
1st Floor, Copia Corporate Suites,  
Commercial Plot 9,  
Mathura Road, Jasola,  
New Delhi - 110025  
E-mail: [customercare@miele.in](mailto:customercare@miele.in)  
Website: [www.miele.in](http://www.miele.in)

### Ireland

Miele Ireland Ltd.  
2024 Bianconi Avenue  
Citywest Business Campus  
Dublin 24  
Tel: (01) 461 07 10  
Fax: (01) 461 07 97  
E-Mail: [info@miele.ie](mailto:info@miele.ie)  
Internet: [www.miele.ie](http://www.miele.ie)

### Malaysia

Miele Sdn Bhd  
Suite 12-2, Level 12  
Menara Sapura Kencana  
Petroleum  
Solaris Dutamas No. 1  
Jalan Dutamas 1  
50480 Kuala Lumpur, Malaysia  
Phone: +603-6209-0288  
Fax: +603-6205-3768

### New Zealand

Miele New Zealand Limited  
IRD 98 463 631  
8 College Hill  
Freemans Bay, Auckland 1011  
New Zealand  
Tel: 0800 464 353  
Internet: [www.miele.co.nz](http://www.miele.co.nz)

### Singapore

Miele Pte. Ltd.  
29 Media Circle  
#11-04 ALICE@Mediapolis  
Singapore 138565  
sTel: +65 6735 1191  
Fax: +65 6735 1161  
E-Mail: [info@miele.com.sg](mailto:info@miele.com.sg)  
Internet: [www.miele.sg](http://www.miele.sg)

### South Africa

Miele (Pty) Ltd.  
63 Peter Place  
Bryanston 2194  
P.O. Box 69434  
Bryanston 2021  
Tel: (011) 875 9000  
Fax: (011) 875 9035  
E-mail: [info@miele.co.za](mailto:info@miele.co.za)  
Internet: [www.miele.co.za](http://www.miele.co.za)

### Thailand

Miele Appliances Ltd.  
BHIRAJ TOWER at EmQuartier  
43rd Floor Unit 4301-4303  
689 Sukhumvit Road  
North Klongton Sub-District  
Vadhana District  
Bangkok 10110, Thailand

### United Arab Emirates

Miele Appliances Ltd.  
Showroom 1  
Eiffel 1 Building  
Sheikh Zayed Road, Umm Al Sheif  
P.O. Box 114782 - Dubai  
Tel. +971 4 3044 999  
Fax. +971 4 3418 852  
800-MIELE (64353)  
E-Mail: [info@miele.ae](mailto:info@miele.ae)  
Website: [www.miele.ae](http://www.miele.ae)

**Manufacturer:** Miele & Cie. KG, Carl-Miele-Straße 29, 33332 Gütersloh, Germany

FN 37402 i, FNS 35402 i, FNS 37402 i, FNS 37405 i

en – GB

M.-Nr. 11 451 321 / 01