

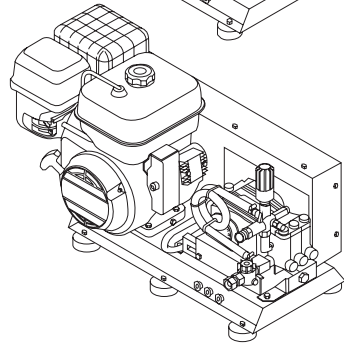
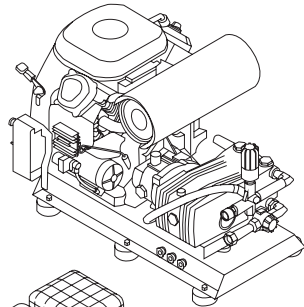
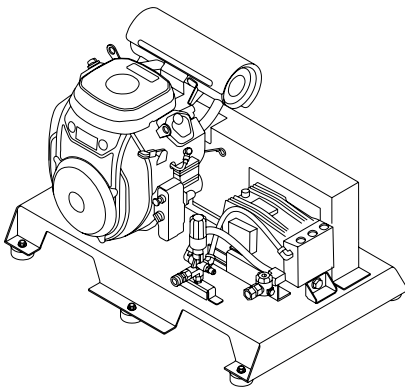



PRESSURE WASHER

USE AND CARE MANUAL



**NOT FOR SALE IN THE
STATE OF CALIFORNIA**



 **LOOK BEFORE YOU PUMP!**

— Ethanol Percentage —

<10% **OK** **NO** 15%–30%–85%



READ THIS MANUAL CAREFULLY BEFORE OPERATION

Failure to follow the instructions and safety precautions in this manual can result in property damage, serious injury and/or death.

If your pressure washer is not working or if there are parts missing or broken, please **DO NOT RETURN IT TO THE PLACE OF PURCHASE**. Contact our Customer Service Department by calling **1-833-362-7368** or emailing **cservice@fna-group.com**

SAVE THIS MANUAL FOR FUTURE REFERENCE

NOTE: Photographs and line drawings used in this manual are for reference only and may not represent your specific model.

NOTES

THIS PAGE WAS INTENTIONALLY LEFT BLANK

SAVE THIS MANUAL FOR FUTURE USE

Keep this manual for future reference. This manual should be considered a permanent part of the product and stay with it. This manual should be available to anyone operating the product(s) it covers. This manual should remain with the product(s) it covers if sold to a new owner. If the manual becomes damaged, lost, or otherwise unusable, contact customer support by calling 1-833-362-7368 or emailing cservice@fna-group.com

Write down the model number, serial number, and purchase date of this product in the spaces provided below then keep this manual with the purchase receipt(s) for future reference.

Model Number:

Serial Number:

Purchase Date:



CALIFORNIA PROPOSITION 65 WARNING

This product and the engine exhaust can expose you to chemicals which are known to the state of California to cause cancer, birth defects, or other reproductive harm. For more information on California Proposition 65, go to www.P65Warnings.ca.gov.



POLYCYCLIC AROMATIC HYDROCARBON WARNING

The air filter element and air box assembly may contain polycyclic aromatic hydrocarbons (PAHs). Some PAHs may cause cancer. To avoid exposure to PAHs, wear gloves when performing air filter maintenance.

TABLE OF CONTENTS

SAFETY INSTRUCTIONS	4
Read this Manual Before Operating	4
Additional Instructions	4
Hazard Alert Symbols	4
DISCLAIMERS	6
PERSONAL PROTECTIVE EQUIPMENT	6
UNPACKING	6
ASSEMBLY	7
Adding the Foot Kit	7
Connecting to Battery Source	8
Connecting to Fuel Source	9
Storing the Nozzles	9
Adding the Pump Breather Cap	9
COMPONENT LOCATION	10
CONNECTING HOSES	14
PURGING AIR FROM THE PUMP	15
NOZZLES	16
Nozzle Selection	16
Nozzle Installation	16
OPERATING CHECKLIST	17
Location	17
High Altitude Operation (Non-EFI Models, Only)	18
Operating Conditions	18
Checking the Engine Oil	20
Checking Fuel	22

STARTING THE ENGINE	24
SHUTTING OFF THE ENGINE	26
OPERATION TIPS	26
Terms	26
Preparation	26
Pressure Washing	27
Adjusting Surface Pressure	27
Adjusting Unloader Hand Control Knob to Adjust Pressure	27
TROUBLESHOOTING	28
MAINTENANCE	30
Maintenance	30
Cleaning the Pressure Washer	31
Connections	31
Nozzle Cleaning	31
Water Inlet Filter	32
Pump Maintenance	33
Pump Gearbox Maintenance	34
Belt Maintenance	35
Engine Maintenance	37
STORAGE AND TRANSPORTATION	37
Storing for Two Months or Less	37
Storing for More Than Two Months	38
Transportation	38
USING SIMPSON® PUMP GUARD	39
WARRANTY	40

SAFETY INSTRUCTIONS



READ THIS MANUAL BEFORE OPERATING

This manual contains important safety information and instructions. **Do not** operate this product until you have read, and completely understand all safety, operation, and maintenance instructions listed in this manual. Failure to follow the information contained in this manual will result in property damage, injury, and/or death.

NOTE: The warnings and precautions discussed in this manual cannot cover all conditions and situations that may occur. The operator must understand awareness and caution are factors which cannot be built into this product and so must be exercised by the operator.



ADDITIONAL INSTRUCTIONS

Along with this manual, be sure to read any additional instructions provided both on and with the product, attached equipment, accessories, and the engine powering the product. Pay careful attention to all additional safety rules and instructions on proper startup, operation, and shutdown procedures. Always use any recommended protective apparel that may be needed to operate the equipment safely.



HAZARD ALERT SYMBOLS

Be sure to understand the safety symbols and definitions listed below. Each symbol contains one of four words: **DANGER**, **WARNING**, **CAUTION**, **NOTICE**, indicating different levels of hazard severity. These symbols are used throughout this manual and are followed by information about a specific hazard, the consequences of the hazard, and instructions on how to avoid the hazard. Failure to heed these symbols and follow the instructions provided with them will result in property damage, injury, and/or death.

 **DANGER:**

Indicates an imminently dangerous situation, which if not avoided, will result in property damage, serious injury, and/or death.

 **WARNING:**

Indicates a potentially hazardous situation, which if not avoided, could result in property damage, serious injury, and/or death.

 **CAUTION:**

Indicates a hazardous situation, which if not avoided, could result in property damage and/or minor to moderate injury.

NOTICE

Indicates information considered important, but not directly hazard related.



WARNING: UNSAFE PRACTICES

Do not operate the unit when fatigued or under the influence of drugs and/or alcohol. Stay alert at all times. Do not overreach or stand on an unstable surface. Do not use pressure washer while standing on a ladder. Reactive force of the spray will cause spray gun/wand to kickback and could cause the operator to slip or fall or misdirect the spray. Improper control of the spray gun/wand can result in injuries to self or others. Grip gun/wand firmly with both hands. Expect the gun to kickback when triggered. Never point wand at or spray people and/or animals.

CAUTION



TRIPPING HAZARD

Hoses may pose a tripping hazard that can cause injuries resulting from a fall

CAUTION:

SLIP / TRIP HAZARDS

When pressure washing in public areas, signs should be posted that indicate to stay clear of the area as high-pressure washing is being performed. Also, signs should be posted that the surface may be slippery and trip hazards may be present.

Special consideration needs to be made to the safety of not just the operator of the pressure washer, but also people who may be adjacent to the area being cleaned. The best way to warn unsuspecting individuals is with signage and barriers.

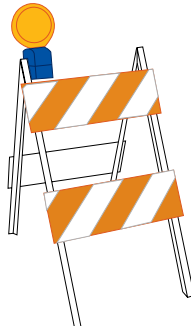
Barriers can be as simple as plastic traffic cones or barricades to using barrier belts around the area being cleaned. Remember, pressure washing can dislodge weak or broken pavement turning it into projectiles that may injure others. Keeping people clear of the area is the best way to avoid injury.

Wet pavement can be slippery to unsuspecting individuals causing injury from slips and falls. High-pressure and low-pressure hoses can be trip hazards. Segregating the area and placing appropriate signage can reduce injury.

Sign examples



Barrier examples



NOTICE

This appliance is not intended to be used by persons with reduced physical, sensory, or mental capabilities, or lack of experience and knowledge, unless they have been given supervision or instruction concerning use of the appliance by a person responsible for their safety.

Children should be supervised to ensure that they do not use or play with the appliance.

DISCLAIMERS

- All information in this publication was based on the latest product information available at the time of printing. The FNA Group reserves the right to update, change, and/or improve the product and this document at any time, without notice, and without incurring any obligation.
- This manual may cover more than one machine. The pictures and figures in the manual should be used for reference only. There may be differences between your product and the pictures, drawings, and diagrams in this manual.

PERSONAL PROTECTIVE EQUIPMENT (PPE)

It is important to understand what personal protective equipment (PPE) should be utilized when using your pressure washer as light or unsecured objects can become hazardous projectiles. Below is a list of PPE items that should be utilized at all times when using the pressure washer.

Hearing - Ear plugs or muffs to protect your hearing.

Vision - ANSI-approved Z87.1 safety glasses or goggles to protect your eyes.

Clothing - Long pants and a long-sleeved shirt to protect your legs and arms from flying debris.

Shoes - Rubber-soled shoes that fully cover your feet to protect against debris, over spray, and electric shock.

UNPACKING

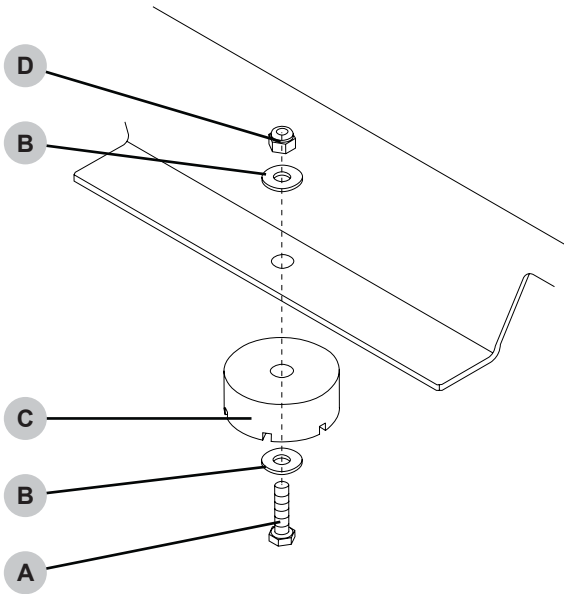
Follow the steps outlined in this section to unpack and assemble your pressure washer. If you have any questions regarding the unpacking or assembly of your pressure washer, please have your model number and serial number ready, then contact customer support at 1-833-362-7368 or email cservice@fna-group.com.

1. Place the shipping pallet on a solid, flat surface.
2. Carefully cut the shipping straps.
3. Using a forklift, remove the unit from the shipping pallet.

ASSEMBLY

Adding the Foot Kit

1. Using a forklift, lift the unit to a comfortable working level.
2. Place one flat washer (B) onto each bolt (A) then insert them through the mounting feet (C).
3. From below, insert the mounting feet assembly from step #2.
4. Place one flat washer (B) onto the bolt, then thread on a nylon insert hex nut (D); tighten.



WARNING:

IMPROPER ASSEMBLY

Ensure all parts are assembled in the order and orientation as directed in this manual. Failure to correctly assemble parts may lead to serious injuries and/or property damage.

Connecting to Battery Source (if applicable)



WARNING:

BATTERY CONNECTIONS

Always remove the black, negative (-) battery cable first and always connect the black, negative (-) battery cable last. Failure to do this could cause metallic tools to short to the frame possibly causing burns or the battery to explode.

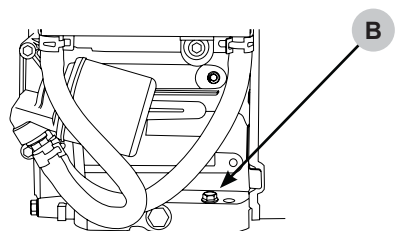
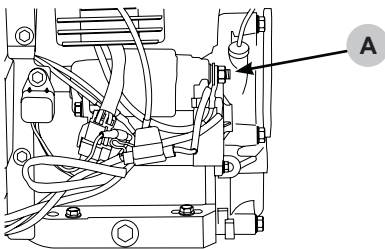
A 12-volt battery (not included) may be required to start the engine. In order to connect a battery to the pressure washer engine, battery cables (not provided) will need to be connected to the engine starter and the pressure washer frame.

Note the following:

- Do not route the battery cables near any hot, moving, or rotating parts, or sharp edges.
- Route the battery cables away from other electrical wires or fuel lines.
- Protect the positive connection with a cover or insulation.
- Use cable grommets if the cables need to pass through metallic panels.
- The battery leads must be properly sized (gauge) for the cable length.
- For a twin-cylinder engine, use a battery with a minimum capacity of 45 AH (400 CCA). For a single-cylinder engine, use a battery with a minimum capacity of 24 AH (175 CCA).

Connect a RED positive battery lead (not provided) to the battery terminal (A) on the starter motor. Loosen the nut with an open-ended wrench. Remove the nut, place the ring terminal of the battery cable onto the post and then thread on the nut. Tighten with the wrench.

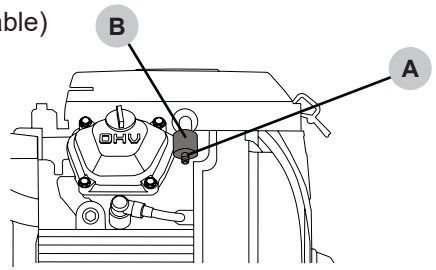
Connect a BLACK negative battery lead (not provided) to a suitable frame ground. The best place to do this, is one of the engine mounting bolts (B). Using open-end wrenches, loosen, then remove the bolt. Run the bolt through the cable ring terminal, then back through the engine mount. Thread on the nut. If the bolt diameter is 5/16", tighten to a range of 13-17 ft.lbs. If the bolt diameter is 3/8", tighten to a range of 19-23 ft.lbs.



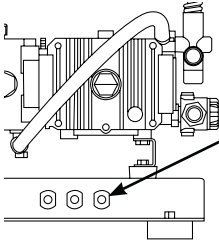
Connecting to Fuel Source (if applicable)

A fuel storage container may not be included with the pressure washer. A proper fuel storage system will need to be connected to the engine using fuel-approved rubber hose (not included).

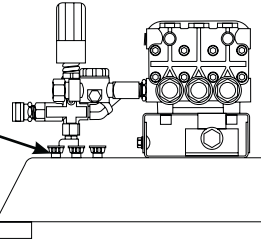
Connect the fuel line hose to the hose barb (A) on the engine fuel filter (B). Secure with a hose clamp (not included).



Storing the Nozzles

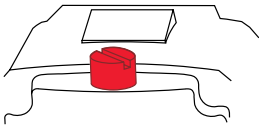


Place the nozzles in the nozzles holders.



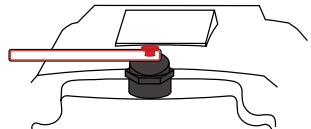
Adding the Pump Breather Cap

The high-pressure pump may have a breather vent that will need your attention before using the washer for the first time. Please see below for the style you may have.



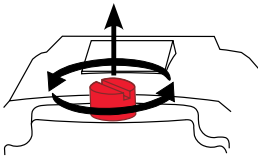
Shipping cap

OR

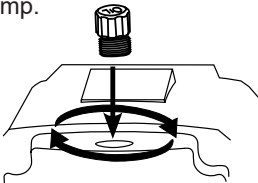


Shipping plug

1. Use the appropriate bladed screw driver, Allen wrench, or wrench to remove the shipping cap (usually RED) from the top of the pump.

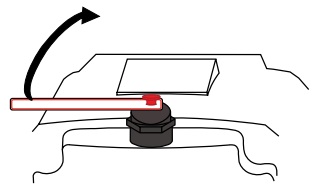


2. Hand thread the breather cap into the pump.

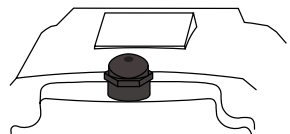


3. Snug the cap with your fingers.

1. Grasp the label and remove both it and the RED shipping plug.

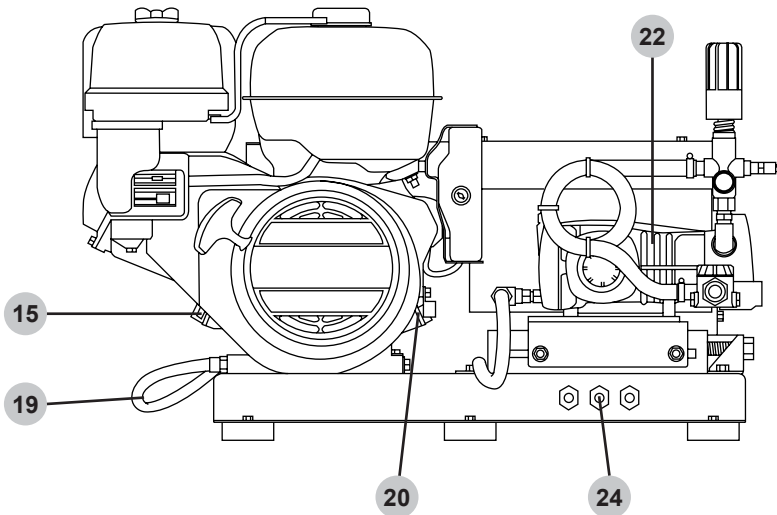
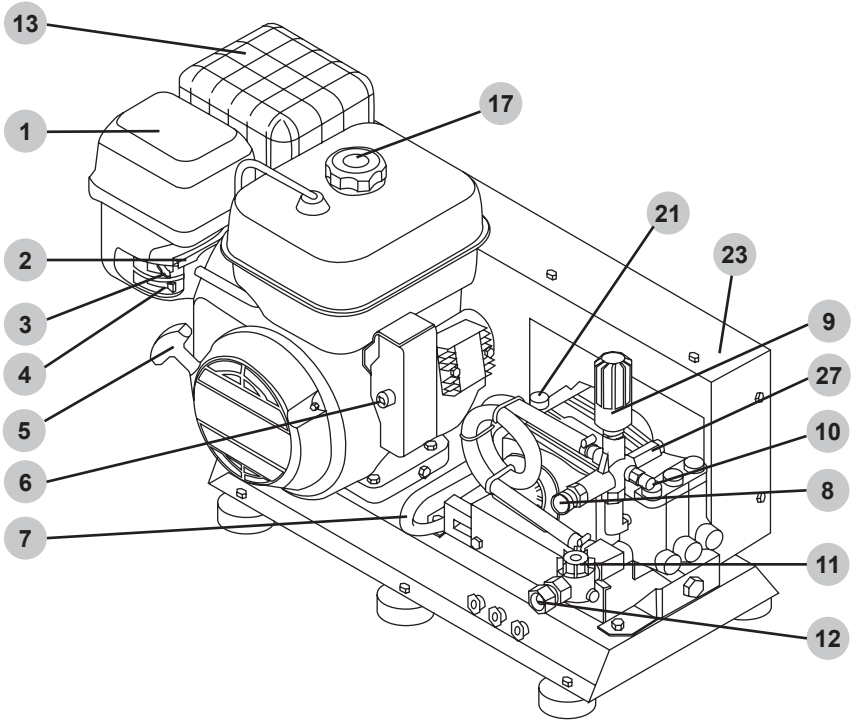


2. The breather is now open properly.

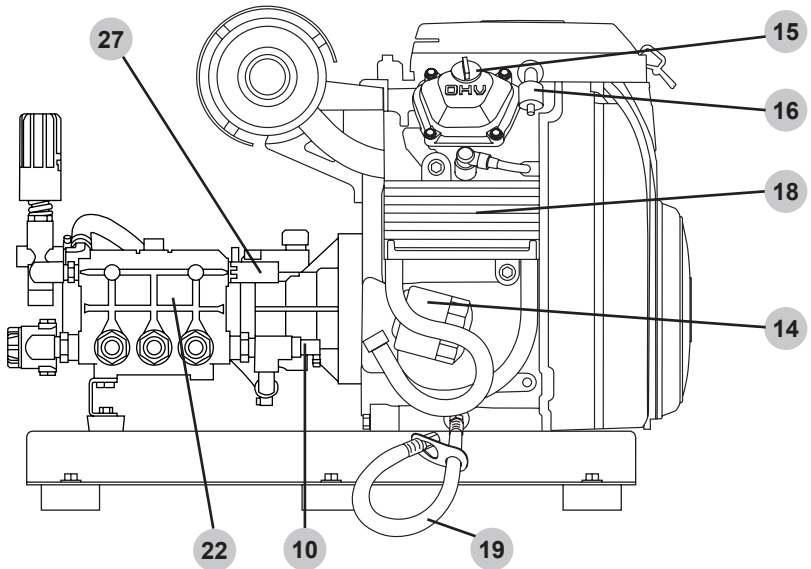
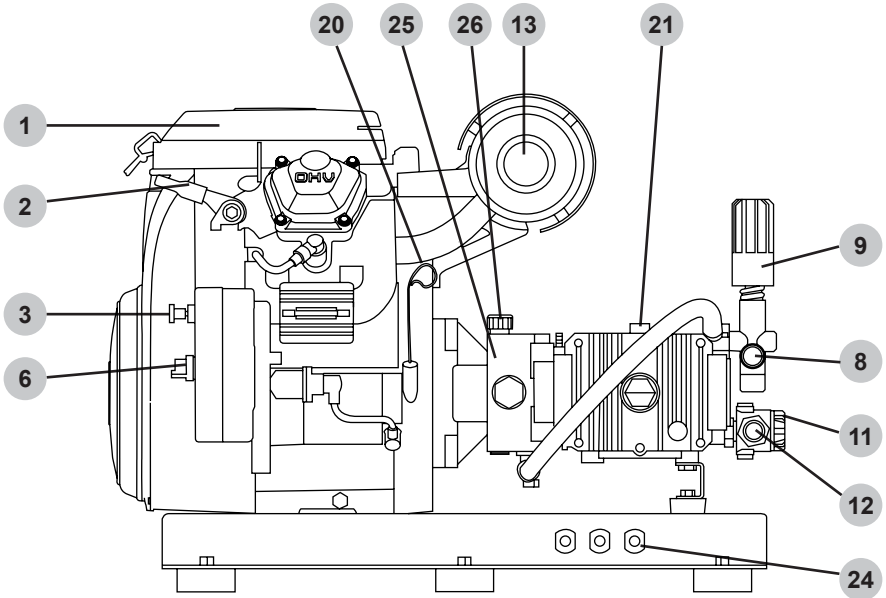


COMPONENT LOCATION

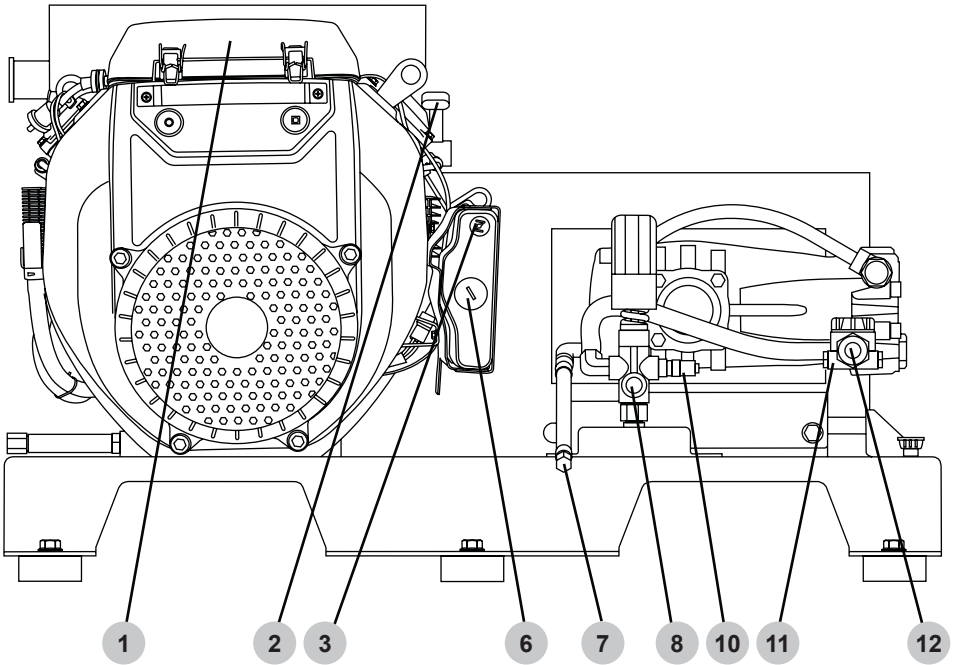
SINGLE CYLINDER BELT DRIVE



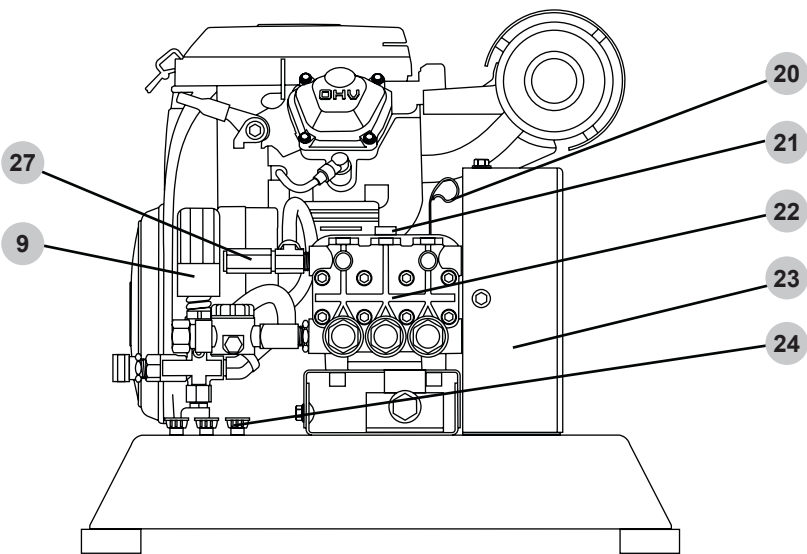
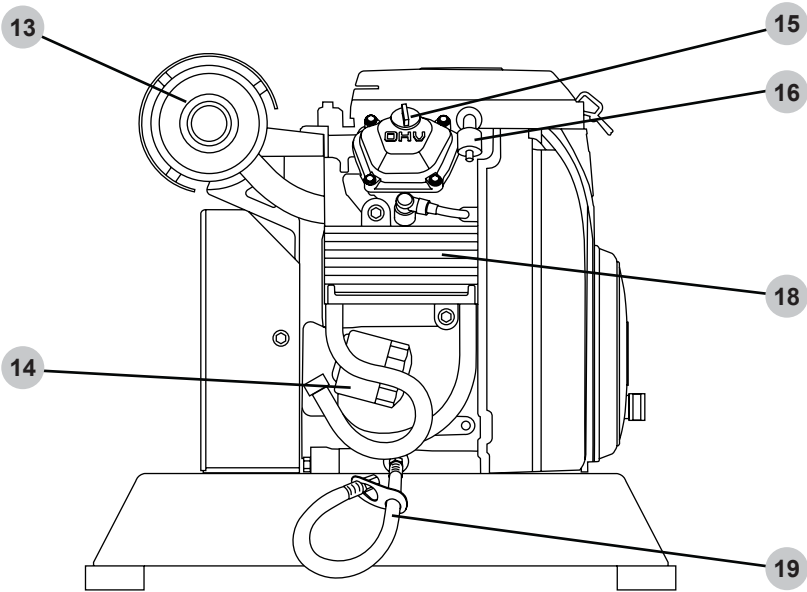
TWIN CYLINDER GEAR DRIVE



TWIN CYLINDER BELT DRIVE



1. Air filter housing cover
2. Engine throttle lever (if equipped)
3. Engine choke control (if equipped)
4. Engine fuel valve lever (if equipped)
5. Engine starting recoil (if equipped)
6. OFF-ON-START key switch
7. Pump oil drain hose (if equipped)
8. High-pressure pump outlet
9. Unloader hand control knob
10. Thermal relief valve
11. Water filter housing
12. Garden hose coupler
13. Engine muffler
14. Engine oil filter (if equipped)
15. Engine oil fill cap (verify location in the engine owner's manual)
16. Engine fuel filter (if equipped)
17. Engine fuel filler cap (if equipped)
18. Engine oil cooler (if equipped)
19. Engine oil drain hose

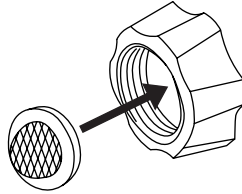


- 20. Engine oil dipstick (verify location in the engine owner's manual)
- 21. High-pressure pump oil fill
- 22. High-pressure pump
- 23. Outer belt guard (if equipped)
- 24. Nozzle holders
- 25. Pump gearbox (if equipped)
- 26. Pump gearbox oil fill (if equipped)
- 27. Pressure relief valve

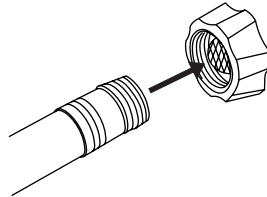
CONNECTING HOSES (not included)

Before connecting a water supply hose, the water supply must provide an uninterrupted source of clean, cold water of at least the rated gallons per minute (GPM) of the pressure washer and 20 pounds per square inch (PSI) of pressure. However, we recommend that the water supply is at least 10% above the rated GPM of the pressure washer. Once a proper water supply is secured, follow the instructions below to connect both the water supply and high-pressure hoses to the pressure washer. **DO NOT** use hot water. Use cold water only.

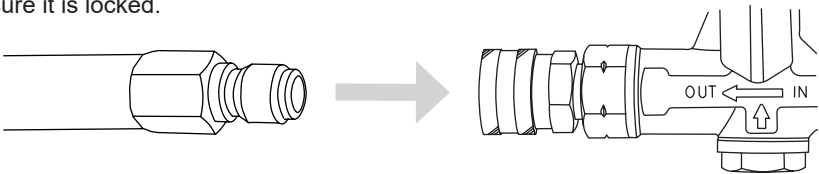
1. Verify the inlet screen is free of any dirt or debris and is in place with the convex side facing out.



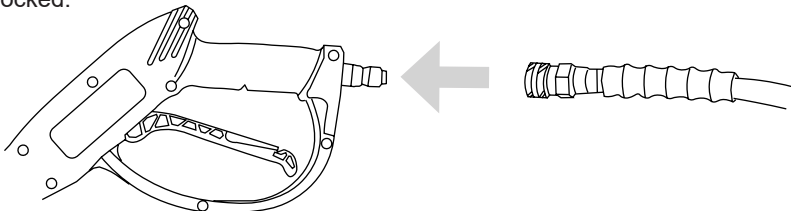
2. Turn on the water supply and run for 30 seconds to purge any debris from the supply hose. Then, turn off the water supply and thread the water supply hose into the pump inlet.



3. While pulling back on the pump outlet collar, insert the hose connector then release the collar. Gently tug on the hose to make sure it is locked.



4. While pulling back on the hose outlet collar, insert the spray gun connector (not included) then release the collar. Gently tug on the hose to make sure it is locked.



PURGING AIR FROM THE PUMP



NOTICE

PUMP PURGING

Running a pressure washer pump without water will severely damage the pump seals and other internal components. To avoid this hazard, make sure your water supply is uninterrupted and at least the rated GPM of the pressure washer and at least 20 PSI, and always purge the air your pressure washer pump before starting the engine.



WARNING:

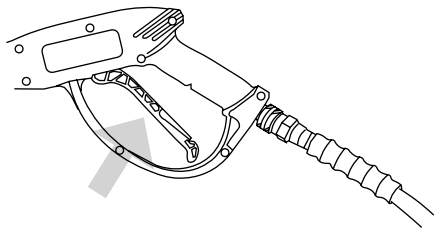
INJECTION INJURY

The high pressures created by a pressure washer can cause fluid injection injuries, severe lacerations, amputations, and / or death. To avoid these hazards, always aim the spray gun and lance in a safe direction when using the pressure washer and never attempt to touch a leak in a high-pressure hose or fitting.

A pressure washer pump is designed to operate with water flowing through it. Water lubricates and cools the internal components of the pump. Running a pressure washer pump without water will severely damage the pump seals and other internal components. Damage caused by running a pressure washer pump without water is not covered under warranty. Be sure to follow the instructions below to correctly purge the air from your pressure washer pump before starting the engine.

1. Connect all the hoses by following the steps outlined in the **CONNECTING HOSES** section of this manual then turn on the cold water source.

2. Aim the spray gun (not included) in a safe direction then squeeze and hold the trigger for at least 30 seconds or until the water runs steady and all the air is purged from the pump and hoses.








3. Check hoses and connections for leaks. If leaks are found, turn off the machine, aim the spray gun in a safe direction and squeeze the trigger to relieve any built up pressure in the system. Never attempt to touch a leak in a high-pressure hose or fitting. Never attempt to repair a high-pressure hose.

4. Engage the trigger lock.

NOZZLES

Nozzle Selection

The nozzles supplied with the pressure washer have specific spray patterns designed to clean different surfaces. Using the incorrect nozzle can damage surfaces. Refer to the table below to select the correct nozzle before using the pressure washer. **NOTE:** The selection of nozzles included may vary with pressure washer models.

Color	Spray Pattern	Uses	Surfaces
Red	 0° HIGH PRESSURE	Spot cleaning hard, unpainted surfaces and high-reach areas	Unpainted metal and concrete DO NOT use on wood.
Yellow	 15° HIGH PRESSURE	Intense cleaning of unpainted surfaces	Grills, driveways, concrete and brick walkways, unpainted brick and stucco
Green	 25° HIGH PRESSURE	Standard cleaning nozzle for most applications	Yard tools, sidewalks, lawn furniture, unpainted siding, stucco, gutters, eaves, concrete, and brick surfaces
White	 40° HIGH PRESSURE	Cleaning painted or delicate surfaces	Auto, truck, RV, marine, wood, painted brick, painted stucco, vinyl, and painted siding
Black	 SOAP LOW PRESSURE	Applies cleaning solutions	Safe on all surfaces. Always verify compatibility of cleaning solution(s) prior to use.



NOTICE

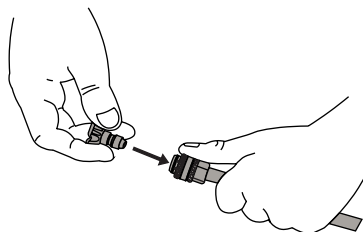
SPRAY DAMAGE

High-pressure spray can damage plants and other surfaces such as wood, glass, automobile paint, auto striping and trim, and delicate objects. To avoid causing damage, cover plants before spraying near them, refer to the Nozzle Selection table in this manual for correct nozzle selection, and test surfaces before spraying to make sure they are strong enough to withstand high-pressure spray.

Nozzle Installation

If the engine is running, make sure the trigger lock is in the locked position before removing and installing nozzles.

To place a nozzle into the spray wand, pull the quick-connect coupler back, insert the nozzle, then release the coupler allowing it to snap back in place. Once installed, pull on the nozzle to make sure it is secure.



OPERATING CHECKLIST



WARNING:

OPERATING CHECKLIST

Attempting to start the engine incorrectly or using the pressure washer incorrectly can result in engine and/or pressure washer damage, and may cause serious injury or death. To avoid these hazards, be sure to read, understand, and follow the steps outlined in the OPERATING CHECKLIST section of the owner's manual before starting the engine, and follow all the guidelines for proper use of the pressure washer.

Location

Place the pressure washer on a level surface outside in a well-ventilated area before operating. Keep all flammable materials at least five feet away from all sides of the product.

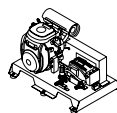
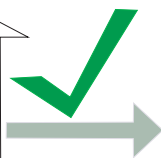
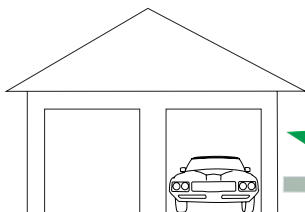
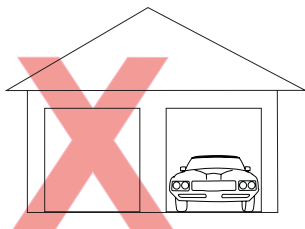
- Never use pressure washer inside a house, garage, or any other kind of enclosure even if doors and windows are open. Run engine outside at least 20 feet (6 meters) away from windows, doors, and vents. Carefully consider wind direction and air currents when using pressure washer outside to avoid breathing in engine exhaust.
- Following the manufacturer's instructions and recommendations, install battery operated carbon monoxide alarms in any occupied buildings near the running engine.
- If you experience headache, nausea, dizziness, sleepiness, or weakness while pressure washer is running, move to fresh air and seek medical attention immediately.



WARNING:

TOXIC FUMES

Engine exhaust contains carbon monoxide, an odorless, colorless, poisonous gas. Running an engine indoors will kill you in minutes. Never use this product inside a house, garage, or any other kind of enclosure even if doors and windows are open. Run engine outside at least 20 feet (6 meters) away from windows, doors, and vents. Carefully consider wind direction and air currents when using this product outside to avoid breathing in engine exhaust. Always use a carbon monoxide detector in any occupied buildings near the running engine.



High Altitude Operation (Non-EFI models, only)

This engine will have proper engine performance and emission control when it is operated at or below an altitude of 5000 feet (1524 meters). This engine requires a high-altitude carburetor kit to ensure proper engine performance and emission control when operated at altitudes above 5000 feet (1524 meters). Operating the machine with the wrong engine configuration above 5000 feet (1524 meters) may increase its emissions, decrease fuel efficiency, and hurt performance. To obtain a high altitude carburetor kit, contact your nearest authorized service center.



NOTICE

ALTITUDE

Operating the engine with a high-altitude carburetor jet kit at an altitude below 5000 feet (1524 meters) will cause the engine to run too hot. Overheating the engine could result in serious engine damage. To avoid this hazard, make sure the correct carburetor kit is installed and the air/fuel mixture is set correctly for your altitude.

Operating Conditions

Before each use, check for loose or damaged parts, leaks, and/or any other condition that may affect proper operation. Repair or replace all damaged and/or defective parts with authorized parts immediately. Do not operate the machine with missing, broken, or unauthorized parts. Always keep all safety guards in place and in proper working order. For safety reasons, the manufacturer recommends all maintenance and repairs be performed by an authorized service center. Never compromise the safety features of this product.

Before starting engine, remove any excessive dirt and debris from cooling vents, exhaust, and starter recoil areas. Always operate the pressure washer on a level surface and never move or tip the pressure washer while operating. Use pressure washer only for its intended purpose. Never pull water supply hose or high-pressure hose to move pressure washer. This could damage hose, pump inlet, and/or pump outlet. If you have questions about the proper use of your pressure washer, please contact customer support at 1-833-362-7368 or cservice@fna-group.com.



! WARNING:

**CHILDREN AND
UNTRAINED ADULTS**

Do not allow children or untrained adults to operate or play with the pressure washer as they can be seriously injured or killed. Anyone operating the pressure washer should receive proper instructions, understand safe operation, and thoroughly read the owner's manual before operating this product. Keep children and pets away from the pressure washer while it is running. Always turn off the pressure washer before leaving the area.



! WARNING:

INSPECT BEFORE OPERATING

Failure to inspect this product before use could create a hazardous situation resulting in product damage, serious injury, and/or death. To avoid these hazards, inspect the pressure washer before each use. Check for loose or damaged parts, signs of oil or fuel leaks, missing guards, plugged cooling vents, or any other condition that may affect proper operation. Repair or replace all damaged or defective parts with authorized parts and keep all safety guards in place and in proper working order before using the pressure washer.



! DANGER: ELECTRICAL SHOCK

Spray directed at electrical receptacles or switches, or objects connected to an electrical circuit, could result in a fatal electrical shock. Direct spray away from electric receptacles, switches and equipment. Never clean any electrically operated device, even when disconnected, unless it clearly states in its manual that such cleaning is approved.



! WARNING: RISK OF BURSTING

High-velocity spray directed at pneumatic tire sidewalls (such as found on automobiles, trailers and the like) could damage the sidewall resulting in serious injury. On pressure washers rated above 1600 psi (11032 kPa) use the widest fan spray (40° nozzle) and keep the spray a minimum of 8" (20cm) from the pneumatic tire sidewall. Do not aim spray directly at the bead between the tire and rim.



! WARNING: INJECTION INJURY

The high pressures created by a pressure washer can cause fluid injection injuries to human and animal flesh, severe lacerations, amputations, and/or death. To avoid these hazards, always aim the spray gun and lance in a safe direction when using the pressure washer and never attempt to touch a leak in a high-pressure hose or fitting. Never place hands in front of the nozzle. Never hold onto the hose or fittings during operation. Never attach or remove wand or hose fittings while system is pressurized. Never point wand at or spray people and/or animals. **DO NOT TREAT FLUID INJECTION AS A SIMPLE CUT!** See a physician immediately!



! DANGER: RISK OF EXPLOSION OR FIRE

Operating the pressure washer in an explosive environment could result in a fire. Operate and fuel equipment in well-ventilated areas free from obstructions. Equip areas with fire extinguisher suitable for gasoline fires.



! CAUTION: HOT SURFACES

A running engine produces heat. The surfaces of the engine, other related components, and engine exhaust gas get hot enough to cause mild moderate burns or ignite materials on contact (such as siding, plastic, rubber, vinyl, or the pressure hose itself), and damage live plants. To avoid burns, do not touch engine surfaces or exhaust gases while operating and allow engine to cool completely before moving, touching, or performing any maintenance. To avoid a fire, keep all flammable materials at least five feet away from all sides of the product. Never cover the pressure washer during operation or directly after being used.



! WARNING: MOVING PARTS

This product has many parts that move at high speeds. Moving parts can cause crushing injuries, broken bones, severe lacerations, and/or traumatic amputations. To prevent injury, never place fingers, hands, feet, or other body parts near running engine. Never operate product with covers, shrouds, or other guards removed. Do not wear loose-fitting clothing, dangling drawstrings, or any other hanging items that could become entangled in moving parts while operating. Tie up long hair and remove jewelry before operating.



! WARNING:

INJECTION INJURY

Risk of fluid injection. When using lance/spray gun combinations with this pressure washer, use a lance that is at least 31 inches in length.



! CAUTION:

PRESSURE RATING

Only use accessories or replacement parts rated equal to or higher than the rating of the pressure washer to prevent serious injuries, pressure washer damage and/or accessory damage.

Checking the Engine Oil



! CAUTION:

HOT OIL

Hot oil can cause serious burns. To prevent getting burned when changing or checking the engine oil, wear appropriate gloves and change the oil when the engine is warm but not hot.



NOTICE

LOW OIL SENSOR

The low oil sensor (if equipped) will automatically stop the engine when the oil level falls below the safe limit. To avoid an unexpected shutdown, check the oil level before each use, fill to the upper limit, and always operate engine on a level surface.



NOTICE

FILL ENGINE OIL BEFORE USE

The engine is shipped from the factory without oil. Running the engine without oil will result in severe engine damage and void the warranty. To avoid causing engine damage and voiding the warranty, fill the engine with the recommended oil type before starting.



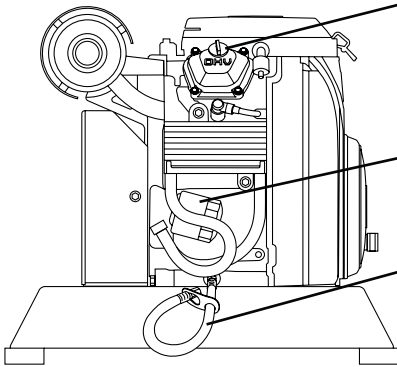
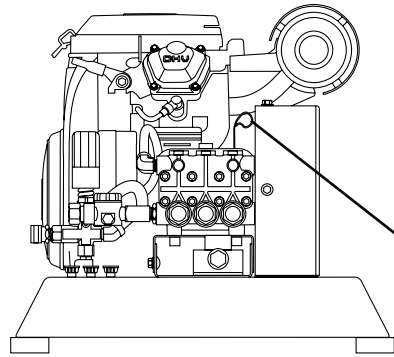
NOTICE

USE CORRECT ENGINE OIL

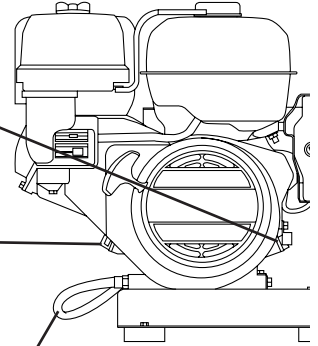
Oil is a major factor in the performance and service life of any engine. Using the incorrect oil may damage the engine and void the warranty. To avoid causing engine damage and voiding the warranty, check and change oil as required using the correct engine oil.

1. Check oil with pressure washer on a level surface and the engine off.
2. Unscrew / pull engine oil dipstick out of the engine, then wipe dipstick clean.
3. Place clean dipstick fully into the dipstick tube. If threaded, do not thread it in, leave it to rest on the filler neck.
4. Remove the dipstick and check oil level. Oil level should be between the upper and lower oil limits on the dipstick.
5. If level is low, add the recommended oil to the crankcase until the level reaches the upper limit on the dipstick. See the engine manual for recommended oil.
6. Place the dipstick fully into the dipstick tube, or tighten the cap by threading it into the filler neck.

TWIN CYLINDER



SINGLE CYLINDER



Engine Oil
Dipstick

Engine Oil
Fill Cap

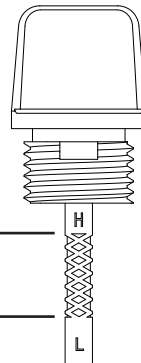
Engine Oil
Filter

Engine Oil
Drain Hose



Upper Oil Limit

Lower Oil Limit



Engine Oil Dipstick

* verify location of components in the engine owner's manual

Checking Fuel



WARNING:

REFUELING

Gasoline is highly flammable and gasoline vapors are extremely explosive. Fire and explosions can cause severe burns and/or death. Keep gasoline away from flames, sparks, and other ignition sources. Refuel outdoors in a well-ventilated area with the engine stopped and cool. Wipe up any spilled gasoline and allow engine to dry before starting. Keep a fire extinguisher handy while refueling. Do not operate engine with leaks in the fuel system. Do not store gasoline near other flammable materials. Store fuel in a clean, OSHA-approved container in a secured location away from the work area.



NOTICE

OLD GASOLINE

Old gasoline can create deposits that clog fuel systems causing hard starting and poor performance. Damage caused by old fuel is not covered by warranty. To minimize deposits, avoid old fuel related performance issues, and prevent costly repair work, do not use gasoline that is older than 30 days.



NOTICE

ALCOHOL BLENDS

Using gasoline with an alcohol blend greater than 10% (E10) will damage the engine. Damage caused by using an alcohol blend of 15% (E15), 85% (E85), or any other alcohol blend higher than 10% (E10) is not covered under warranty. To avoid engine damage caused by an alcohol blend that is too high, use gasoline with 10% (E10) alcohol or lower.



NOTICE

GASOLINE ADDITIVES

The use of fuel system cleaning additives can damage the engine and fuel systems. Damage caused by the use of fuel system cleaning additives is not covered by warranty. To avoid engine and fuel system damage, do not use any fuel system cleaning additives.



NOTICE

GASOLINE STORAGE

It is important to prevent gum deposits from forming in essential fuel system parts, such as the carburetor, fuel filter, fuel hose or tank during storage. Alcohol-blended fuels (also called gasohol, ethanol, or methanol) attract moisture, which leads to separation and formation of acids during storage. Acidic fuel and gum deposits can damage the engine's fuel system while in storage. Damage caused by the use of old, stale, or contaminated fuel are not covered under warranty.



NOTICE

DO NOT OVERFILL FUEL TANK

Overfilling the fuel tank can result in carbon canister damage (if equipped), poor engine performance, and void the warranty. To avoid these hazards, do not fill the fuel tank above the maximum level.

1. Check fuel with the engine off and pressure washer on a level surface.
2. Remove fuel tank cap, check fuel level, then fill fuel tank if needed.
3. Do not use gasoline that is older than 30 days. Use only clean and fresh regular unleaded gasoline with a minimum octane rating of 87. Do not mix oil with gasoline. Do not use gasoline that contains more than 10% ethyl alcohol. E15, E20, and E85 are not approved fuels and should not be used.
4. Do not fill the fuel tank above the maximum fuel level to allow room for fuel expansion.
5. Replace fuel tank cap. Never run engine without fuel cap installed.

NOTE: Using a fuel stabilizer (sold separately) when storing gasoline can help prevent problems related to storing ethanol alcohol blended gasoline. Always follow the instructions provided by the fuel stabilizer manufacturer to mix and use correctly.

STARTING THE ENGINE



! WARNING:

OPERATING CHECKLIST

Attempting to start the engine incorrectly or using the pressure washer incorrectly can result in engine and/or pressure washer damage, and may cause serious injury or death. To avoid these hazards, be sure to read, understand, and follow the steps outlined in the OPERATING CHECKLIST section of the owner's manual before starting the engine, and follow all the guidelines for proper use of the pressure washer.



NOTICE

PUMP DAMAGE

Running the pressure washer for more than two minutes without the spray gun trigger pulled will overheat the pump and possibly cause damage. The thermal relief valve will open and spray water to help cool the pump as it overheats. Never tamper with the thermal relief valve. To avoid overheating the pump, shut off the engine if not being used for longer than two minutes.

Starting the Engine

1. Complete the steps in the OPERATING CHECKLIST section of this manual before starting the engine. Failure to do so could cause damage to the pump or engine. If needed, refer to your Engine Owner's Manual for specific starting instructions.

The water source should be connected, turned on, any air purged from the system, and the trigger lock placed in the locked position.

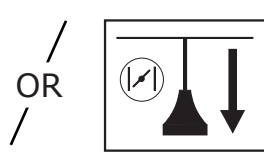
2. Slide the fuel valve to the ON position (if equipped).



3. Slide the throttle to the RUN position (if equipped).

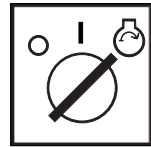


4. If equipped, move the choke to CHOKE (closed) for starting a COLD engine. Move to RUN (open) for a WARM engine.



NOTE: The starting position of the choke will vary depending on the engine temperature. If starting a cold engine, move the choke lever towards the CLOSED position. If starting a warm engine, move the choke lever towards the OPEN position.

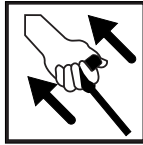
5A. **(Electric start)** Rotate the key past the ON position to the START position and hold until the engine starts. If the engine does not start after 5 seconds, release the key and allow the starter to cool for 1 minute before trying to start the engine once again. Allow the key to return to the ON position once the engine starts.



! WARNING: SPRAY DAMAGE

Allowing the starter to constantly crank will damage the starter! If the engine does not start after two attempts, refer to the TROUBLESHOOTING section for help.

5B. **(Manual start)** Turn the engine switch to the ON position. If equipped, pull the recoil slowly until resistance is felt, then pull rapidly to start the engine. Do not allow the starter grip to snap back. Return it gently by hand.



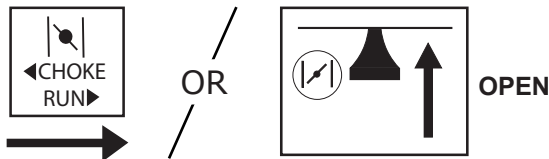
NOTE: If the engine should not start after two pulls, squeeze the gun trigger to release stored pressure. Then, try again to start the engine.



! WARNING: RAPID RETRACTION

Rapid retraction (also known as kickback) of the engine recoil starter cord will pull your hand and arm towards the engine faster than you can let go of the handle resulting in sprains, broken bones, lacerations, and/or traumatic amputations. Kickback is often caused by internal engine failure, and/or improper starting techniques. To avoid kickback follow the appropriate maintenance schedule, starting instructions and have repair work done by an authorized service center.

6. Once the engine starts, slowly move the choke lever (if equipped) to RUN (open) as the engine runs. If the engine falters, move the choke toward CHOKE (closed) until the engine has warmed up.



7. Allow engine to warm for 1-2 minutes before using the product, occasionally pulling the spray gun trigger to allow water to flow through the pump and avoid overheating and causing damage to the pump.

NOTE: Always secure trigger lock when spray gun is not in use to prevent accidental operation. Never permanently secure trigger in pull-back (open) position.

SHUTTING OFF THE ENGINE



NOTICE

PUMP DAMAGE

Turning off the water supply to your pump with the engine running will damage the pump. Damage caused by running the pump without water is not covered under warranty. To avoid this hazard always turn off the engine before shutting off the water supply.

1. Set the trigger lock on the spray gun.
2. Slide the throttle to the SLOW position (if equipped).
3. Turn the engine switch to the OFF position.
4. Slide the fuel valve to the OFF position (if equipped).
5. Turn off the water supply.
6. Release the trigger lock then squeeze the spray gun trigger to relieve the pressure in the hose and pump.
7. Allow the engine to cool completely before handling and storage.

OPERATION TIPS

Terms

- PSI - Pounds per square inch (PSI) is the unit to measure the pressure of water. In relation to a pressure washer, the higher the PSI number, the greater the pressure and stripping power produced.
- GPM - Gallons per minute (GPM) is the flow rate of water. In relation to a pressure washer, the greater the GPM, the greater the flow or rinsing power produced.
- CU - Cleaning units express the efficiency of the pressure washer. Cleaning units are calculated by multiply the PSI by the GPM. The higher the CU, the more efficient the pressure washer.

Preparation

- Read all warning and instructions in this and all manuals that came with the pressure washer.
- Remove all toys, bikes, lawn furniture, etc. from the work area if they are not to be cleaned.
- Sweep any loose dirt and debris from the surface you will be pressure washing.
- Cover nearby plants to avoid damaging them with the pressure washer spray.
- Use caution when spraying windows. Always use the white, 40° nozzle and stay at least 4 feet away.
- Lay tarps down to collect paint chips and other debris blown off by the spray. Exterior paints used before 1977 may contain lead and will produce chips that will need to be collected and disposed of at a hazardous waste facility.
- To minimize water infiltration to the pressure washer motor, locate the pressure washer as far as possible from the cleaning site during operation.

Pressure Washing

- A wider spray equals faster cleaning, while a tighter spray equals deeper cleaning.
- Keep the nozzle about 4 feet away from siding to avoid damage.
- Start washing siding at the bottom and work your way up, then rinse from the top down.
- Avoid driving water up behind siding.
- Use overlapping strokes for even cleaning.
- Work in small areas to keep the soap from drying.
- Do not aim the nozzle straight at the surface. Hold the wand at a 45° angle to the surface at a distance that cleans well without causing damage.

Adjusting Surface Pressure

- Back away from the surface to be cleaned. The further you position the nozzle from the surface to be cleaned, the lower the pressure to reach the surface.
- Change to the white, 40° nozzle. This nozzle produces a lower pressure, wider width spray.

Adjusting Unloader Hand Control Knob to Adjust Pressure



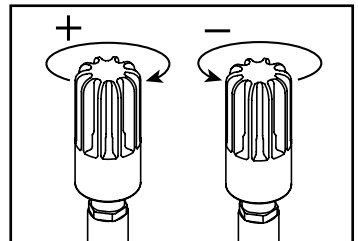
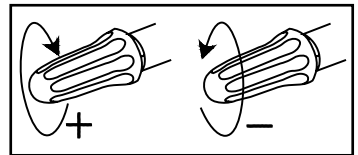
! WARNING:

HIGH PRESSURE

Do not remove the unloader hand control knob. Do not overtighten the unloader hand control knob. Overtightening the knob past the built-in stop may result in serious injuries, the knob breaking and/or costly repairs. Do not attempt to increase the pressure past the factory preset pressure.

The highest pressure setting is preset at the factory to achieve optimum pressure for cleaning. If you should need to lower the pressure, your unit may be equipped with an unloader hand control knob that allows you to adjust the pressure. The unloader hand control knob style may differ from those shown below.

- If equipped with an unloader hand control knob, lower the pressure by turning the unloader hand control knob counter-clockwise to the desired pressure.
- Turn the unloader hand control knob clockwise until it stops to return to the highest pressure setting preset at the factory.



TROUBLE SHOOTING

ISSUE	POSSIBLE CAUSE	SOLUTION
<p>Engine will not start.</p> <p>Refer to the Engine Owner's Manual for more engine troubleshooting information.</p>	The fuel tank is empty.	Add fresh fuel.
	Water pressure in the pump is preventing the engine from rotating.	Aim the spray gun in a safe direction then pull the trigger to release water pressure in the pump.
	Engine choke is in the wrong position.	Refer to the STARTING ENGINE section of this manual for the correct choke position.
	The spark plug lead is not attached to the plug.	Connect spark plug lead.
	Engine switch is in the OFF position.	Turn the engine switch to the ON position.
	Engine fuel valve is turned OFF.	Turn fuel valve ON.
	Engine oil is low. If the engine is equipped with a Low Oil Sensor, the engine will not start.	Check engine oil level. Fill per engine manual.
<p>The pressure washer creates low or no water pressure.</p>	There is air trapped in the pump and/or hoses.	Refer to the PURGING THE PUMP section of this manual to remove air from the pump and hoses.
	Water source is insufficient.	Make sure the water source can supply at least the rated GPM of the pressure washer at 20 PSI.
	The nozzle is clogged.	Clean nozzle per the MAINTENANCE section of this manual.
	The water inlet screen is clogged.	Clean the water inlet screen per the MAINTENANCE section of this manual.
	The high-pressure hose is too long.	The high-pressure hose should be less than 100 feet in length.
	Engine choke is in the CHOKE position.	Move engine choke to the RUN position.
Will not draw in detergent.	Chemical build up in chemical injector.	Contact customer service at 1-833-362-7368 or at cservice@fna-group.com

ISSUE	POSSIBLE CAUSE	SOLUTION
Will not draw in detergent (continued)	Spray wand not in low pressure.	Insert black “soap” nozzle.
	Detergent filter clogged.	Clean the filter.
	Detergent filter is not submerged in the detergent.	Make sure the filter end of the detergent siphon hose is fully submerged in the detergent.
	Detergent is too thick.	Dilute detergent. The detergent should be the same consistency as water.
	High-pressure hose is too long.	Lengthen the water supply hose and shorten the high-pressure hose.
	Detergent is dried inside of the detergent injector.	Contact customer service at 1-833-362-7368 or at cservice@fna-group.com
Water leaking at pump.	Loose connections.	Tighten the connections.
	Worn or torn O-ring.	Check and replace.
	Piston packing worn.	Contact customer service at 1-833-362-7368 or at cservice@fna-group.com
	Pump head or tubes damaged from freezing.	Contact customer service at 1-833-362-7368 or at cservice@fna-group.com
Pump or nozzle pulsates.	Nozzle obstructed.	Clean nozzle per the MAINTENANCE section of this manual.
Oil leaking from pump.	Loose drain plug.	Tighten.
	Worn drain plug O-ring.	Check and replace.
	Worn fill plug O-ring.	Check and replace.
	Pump oil overfilled.	Check for correct amount.
	Incorrect oil used.	Drain and fill with correct type and amount of oil.
	Vent plug is clogged.	Clean vent plug; blow air through vent to remove blockage. If problem persists, replace the plug.
	Oil seals worn.	Contact customer service at 1-833-362-7368 or at cservice@fna-group.com
Water leaking at gun/spray wand connection.	Worn or broken O-ring.	Check and replace.
	Loose hose connection.	Tighten.

For additional help or to find your local authorized service location, call **1-833-362-7368** or email [**cservice@fna-group.com**](mailto:cservice@fna-group.com).

MAINTENANCE

For safety reasons, the manufacturer recommends all pressure washer service and repairs be performed by an authorized service center. All warranty replacements or repairs must be performed by an authorized distribution or service center. To find an authorized service center near you, make a warranty claim, or get authorized warranty repair, call 1-833-362-7368 or email cservice@fna-group.com.

It is the responsibility of the owner and/or operator to have all scheduled maintenance completed before operating the pressure washer. Be sure to follow the inspection and maintenance recommendations as listed in all the manuals that came with this unit.

Maintenance

Before each use, check pressure washer for leaks, loose or damaged parts, and any other condition that may affect proper operation. Be sure all safety guards are in place and in proper working order. Inspect all air vents and cooling slots to ensure they are clean and unobstructed. Repair or replace all damaged or defective parts with authorized parts immediately. For safety reasons, the manufacturer recommends all pressure washer service and repairs be performed by an authorized service center. Never attempt to repair a high-pressure hose.



WARNING:

RISK OF BURNING

When performing maintenance, you may be exposed to hot surfaces, water pressure, or moving parts that can cause serious injury or death.



WARNING:

RISK OF FIRE

Always disconnect spark plug wire, let the engine cool, and release all water pressure before performing any maintenance or repair. Injuries can result if system pressure is not reduced before attempting maintenance or disassembly. The engine contains flammable fuel. Do not smoke or work near open flames while performing maintenance.



WARNING:

MODIFICATION INJURY

Never modify the product or any part of it. Damage or personal injury could result.

Cleaning the Pressure Washer

Always clean the pressure washer with the engine off and cool. To clean the pressure washer, first use an air compressor set at no more than 25 PSI to clear dirt and debris from the pressure washer surfaces, vents, and cooling slots. Then, wipe the exterior clean with a damp cloth.



NOTICE

CLEANING

Water can damage the pressure washer engine components if allowed to enter through cooling slots or other holes. Damage caused by water intrusion is not covered under warranty. To avoid engine water damage, do not use a pressure washer, garden hose, or any other sources of running water to clean the pressure washer engine, and never submerge the pressure washer engine in any liquids.



NOTICE

CHEMICAL CLEANERS

Using chemical cleaners and/or corrosive liquids can damage the pressure washer seals and internal components. Damage caused by chemical cleaners and corrosive liquids is not covered under warranty. To avoid these hazard, only use approved cleaning chemicals, never use bleach, and always run clean water through the pressure washer after using cleaning chemicals.

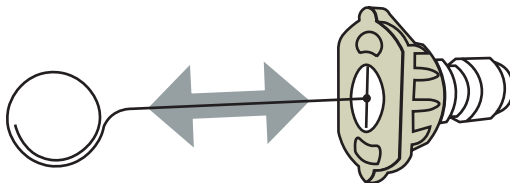
Connections

Hose, spray gun, and pump connections should be cleaned and lubricated with a thin film of lithium grease regularly to prevent o-ring damage and leaks.

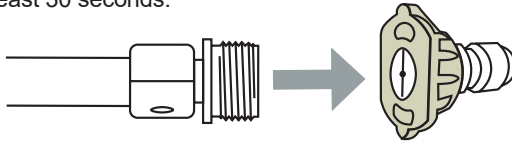
Nozzle Cleaning

If a nozzle becomes clogged, the pump may pulsate and spray patterns could change. If the nozzle is not cleaned, excessive pressure may develop possibly damaging the pump, or other accessories. Inspect nozzles before using them and follow the instructions in this section for the proper nozzle cleaning procedure.

1. Shut off the pressure washer.
2. Turn off the water supply.
3. Point the spray gun in a safe direction and squeeze the trigger to relieve water pressure.
4. Set the trigger lock.
5. Remove the nozzle from the lance quick connector.
6. Clear any obstructions from the nozzle by inserting the nozzle cleaning tool provided.



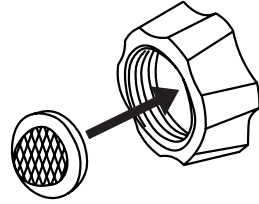
7. Rinse any loose debris from the nozzle by directing a running garden hose into the output of the nozzle for at least 30 seconds.



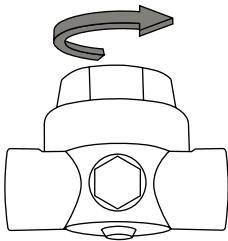
Water Inlet Filter

Before each use, check the screen inlet filter and clean by following the steps below. Never operate the pressure washer without the screen inlet filter properly installed.

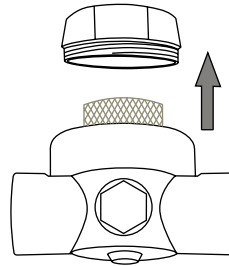
1. Remove the filter from the garden hose coupler.
2. Use water from a running garden hose to clean both sides of the filter.
3. Insert the cleaned filter into the pump inlet with the convex side facing out.



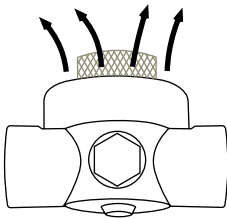
The blue cap filter should be checked periodically to be determined if cleaning is required.



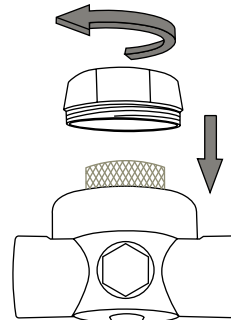
1. With the water sourced turned off, unscrew the housing cover on the top of the water filter.



2. Remove any debris from around the mesh screen, inside the housing and the cover.



3. With the garden hose connected, turn on the water for few seconds to flush any debris that may be retained within the housing.

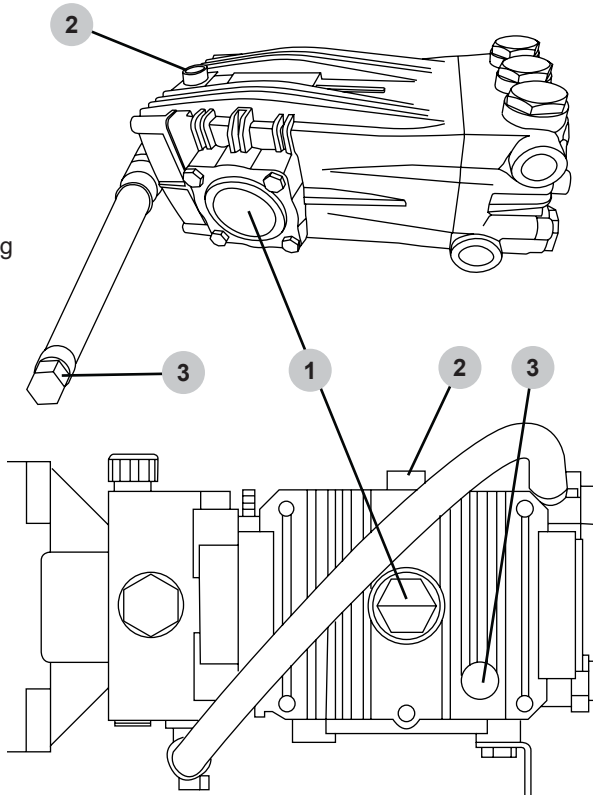


4. Thread the housing cover into the top of the water filter housing; hand tighten.

Pump Maintenance

Note: The pump was filled with oil at the factory. Refer to your pump manufacturer for the proper recommended oil and oil change intervals.

1. Oil sight glass
2. Oil fill plug / vent cap
3. Oil drain hose / Oil drain plug



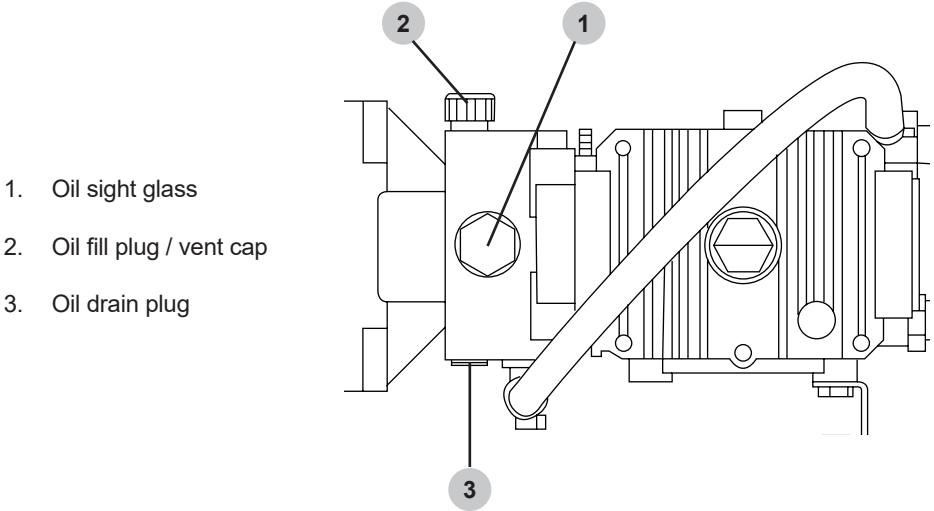
How to Change the Pump Oil

1. Loosen the pump oil fill plug / vent cap.
2. Place a container under the plug on the oil drain hose.
3. Remove the oil drain hose plug.
4. After the oil has drained, insert the oil drain hose plug; tighten securely.
5. Refer to your pump manufacturer for the proper recommended oil.
6. Refill, making sure the proper oil level is met in the sightglass, or the maximum level marked on the dipstick, as recommended by the pump manufacturer.
7. Insert the oil fill plug / vent cap; tighten securely.

*Illustrations are for reference only and may not represent your specific model.

Pump Gearbox Maintenance (if equipped)

Note: The pump gearbox was filled with oil at the factory. The preferred oil is a full-synthetic SAE 75W-90 oil. Change the oil after the first 50 hours of operation, and every 1000 hours thereafter or once a year.



How to Change the Pump Gearbox Oil

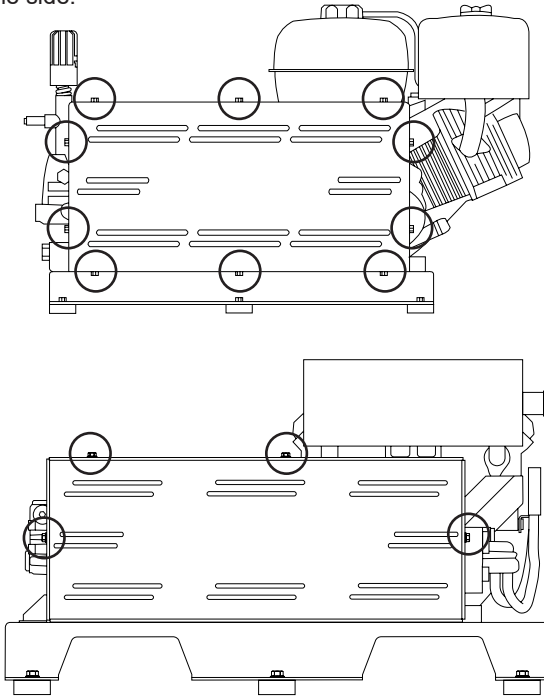
1. Loosen the gearbox oil fill plug / vent cap.
2. Place a container under the plug.
3. Remove the oil drain plug.
4. After the oil has drained, insert the oil drain plug; tighten securely.
5. Refill with a full-synthetic SAE 75W-90 oil.
6. Make sure the oil level meets but does not exceed the dot in the center of the sightglass.
7. Insert the oil fill plug; tighten securely.

Belt Maintenance (if applicable)

Maintaining the proper amount of tension on the belts prolongs the life of the belts while assuring the proper operating parameters are met. The easiest way to determine the tension is by measuring the amount of deflection in the belts.

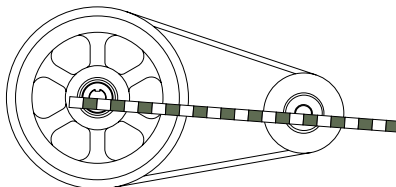
Removing the belt guard

1. Disconnect the spark plug leads from the spark plugs. Allow them to hang away from the spark plugs.
2. Using a 3/8" nut driver, loosen then remove the mounting bolt(s) on the top, bottom, and/or sides of the outer belt guard. Remove the outer belt guard from the frame; place it to the side.

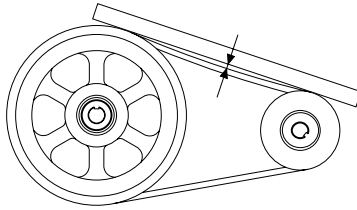


Measuring the belt deflection

3. With the use of a tape measure or yard stick, measure from the center of the engine shaft to the center of the pump shaft. Multiply this measurement by 1/64. For example, a measurement of 12" multiplied by 1/64 equals 0.1875" (3/16"). This measurement is the maximum amount of deflection you should measure in the belts.

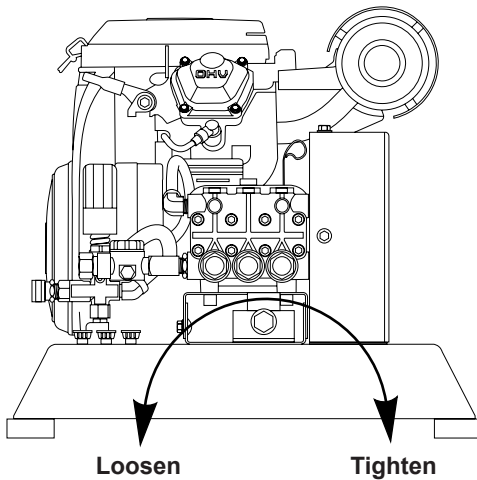
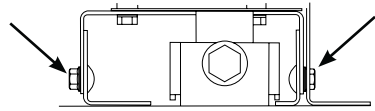


4. Place a straight edge on top of the belts. Using your index finger, push down on the belts centered between the sheaves. With a ruler, measure the distance between the top of the belts and the bottom of the straight edge. If the measurement exceeds the calculation in Step #3, the belts need to be tightened.



Adjusting the pump tensioner

1. Using a 9/16" wrench, loosen the carriage bolts on either side of the pump tensioner. Do not completely remove carriage bolts.
2. Using a 15/16" wrench, turn the bolt clockwise to tighten the belt. Should the belt need to be loosened, turn the bolt counter-clockwise.



3. Once the proper belt tension has been achieved, tighten the carriage bolts on the pump tensioner using a 9/16" wrench.
4. Slide the belt guard into place. Thread in the mounting bolts then tighten with a 3/8" nut driver.
5. Reconnect the spark plug leads.

Engine Maintenance

Before each use, check engine for loose or damaged parts, signs of oil or fuel leaks, and/or any other condition that may affect proper operation. Always keep all safety guards in place and in proper working order. Repair or replace all damaged or defective parts immediately.

For safety reasons, the manufacturer recommends all engine service and repairs (including emission control devices and systems) be performed by an authorized service center. All warranty replacements or repairs must be performed by an authorized distribution or service center. To find an authorized service center near you, obtain information about how to make a warranty claim, or to make arrangements for authorized warranty repairs, please call 1-833-362-7368 or email cservice@fna-group.com.

For all other information on engine maintenance, refer to the engine manual.

STORAGE AND TRANSPORTATION

Storing for Two Months or Less

1. Fill fuel tank per the OPERATING CHECKLIST section of this manual then add a fuel stabilizer per the manufacturer's recommendations. **NOTE:** Using a fuel stabilizer (sold separately) when storing gasoline may help prevent problems related to alcohol blended fuels in outdoor power equipment engines. Always follow the instructions provided by the fuel stabilizer manufacturer to mix and use correctly.
2. Complete the steps in the OPERATING CHECKLIST, CONNECTING HOSES, and PRIMING THE PUMP sections of this manual.
3. Start the engine per the STARTING section of this manual and run it for ten (10) minutes to allow the stabilized fuel to circulate through the entire fuel system. Be sure to squeeze the trigger to keep water flowing through the pump and spray gun to avoid overheating.
4. Turn the engine switch to the OFF position.
5. Shut off the water supply. Remove the water supply hose.
6. Squeeze the spray gun trigger to relieve the pressure in the hose and pump then drain the high pressure hose. Disconnect the high-pressure hose from the pump and spray gun.
7. Allow the engine to cool completely.
8. Protect the pump by using SIMPSON® Pump Guard per the USING PUMP GUARD section of this manual.
9. Store the pressure washer in a clean, dry area out of direct sunlight.

Storing for More Than Two Months

1. Make sure the engine is completely cool.
2. Remove all the fuel from fuel tank, fuel lines, and carburetor by loosening the drain screw at the bottom of the fuel tank, and draining fuel into an appropriate container.
3. Change the engine oil.
4. Remove any dirt and debris from the area around the spark plugs, then use a spark plug socket or wrench to remove the spark plugs.
5. Pour .5 ounces (15 ml) of new oil into the engine combustion chambers, then turn the starter to START for one second to distribute oil and lubricate the cylinders.
6. Install the spark plugs.
7. Disconnect the black, negative (-) battery lead from the battery (if equipped).
8. Disconnect the red, positive (+) battery lead from the battery (if equipped).
9. Drain the high-pressure hose.
10. Using SIMPSON Pump Guard or an equivalent is recommended when storing the unit for more than 30 days and/or when freezing temperatures are expected.
11. Store the pressure washer in a clean, dry area out of direct sunlight.

Transportation



WARNING:

TRANSPORTATION

Leaving the pressure washer in an enclosed space where temperatures can rise on a transport vehicle may cause fuel to vaporize and possibly explode. Fire and explosions can cause severe burns and/or death. To avoid leaking or vaporizing fuel, secure the pressure washer in a well ventilated area out of direct sunlight and other heat sources and do not transport the pressure washer on rough roads unless the fuel has been drained beforehand.

1. Turn the engine control switch to the OFF position.
2. Slide the fuel valve to the OFF position (if equipped).
3. When loaded onto a vehicle, if not intending to bolt to transport vehicle, secure pressure washer with straps or tie downs to prevent tip over and damage from sliding.
4. Make sure the fuel containment system is secured and not allowed to move.

USING SIMPSON® PUMP GUARD



NOTICE

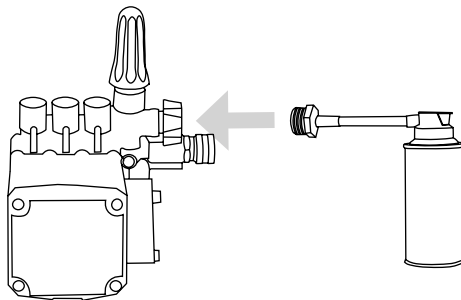
PUMP DAMAGE

Leaving water inside the pump during freezing weather will cause severe damage to the pump. To avoid costly damage, always treat the pump with SIMPSON® Pump Guard to remove the trapped water and to fill the pump with a lubricating, antifreeze solution.

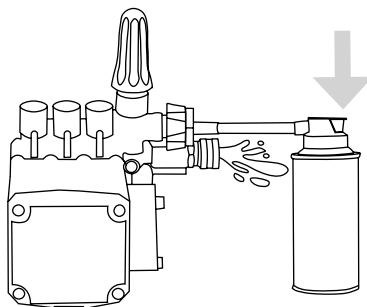
SIMPSON® Pump Guard (purchase separately) is formulated to protect your pump during long-term storage and from freezing damage. Pump Guard should be used throughout the season to keep the seals pliable and well lubricated. Before storing the unit for winter or for when there is a chance of freezing weather, use pump guard to remove all traces of water from the internal cavities while filling them with an antifreeze solution. Pump Guard is insurance for your investment, use it.

Simply use Pump Guard by following these easy steps:

1. Screw the Pump Guard adapter into the garden hose input on the pump.



2. Press and hold down on the button until all the water and the Pump Guard starts to come out of the high pressure port.



3. Unscrew the Pump Guard from the pump then prepare the pressure washer for storage as outlined in STORAGE AND TRANSPORTATION.

COMMERCIAL LIMITED WARRANTY

WARRANTY COVERAGE TERMS:

The manufacturer of this product agrees to repair or replace designated parts that prove defective within the warranty period listed below at the manufacturer's sole discretion. Specific limitations / extensions and exclusions apply.

This warranty covers defects in material and workmanship and not parts failure due to normal wear, depreciation, abuse, accidental damage, negligence, improper use, maintenance, water quality or storage. To make a claim under the terms of the warranty, all parts said to be defective must be retained and available for return upon request to a designated Warranty Service Center for warranty inspection. The judgments and decisions of the manufacturer concerning the validity of warranty claims are final.

These warranties pass through to the end user and are non-transferable. As a factory authorized and trained Warranty Service Center, the factory will honor the terms of all component warranties and satisfy claims of the appropriate warranty provisions.

This warranty replaces all other warranties, express or implied, including without limitation any warranties of merchantability or fitness for a particular purpose and all such warranties are hereby disclaimed and excluded by the manufacturer. The manufacturer's warranty obligation is limited to repair and replacement of defective products and provided herein and the manufacturer shall not be liable for any further loss, damages, or expenses - including damages from shipping, accident, abuse, acts of God, misuse, or neglect. Neither is damage from repairs using parts not purchases from the manufacturer or alterations performed by non-factory authorized personnel. Failure to install and operate equipment according to the guidelines put forth in the instruction manual shall void warranty.

THIS WARRANTY DOES NOT COVER:

Damage resulting from shipping (claims must be filed with freighter), accident, abuse, act of God, misuse, or neglect.

This warranty also does not cover damage from repairs or alterations performed by non-factory authorized personnel or failure to install and operate equipment according to the guidelines put forth in the instruction manual. The manufacturer will not be liable to any persons for consequential damage, for personal injury, or for commercial loss.

RESPONSIBILITY OF ORIGINAL PURCHASER (INITIAL USER):

To process a warranty claim on your SIMPSON® pressure washer, report the concern to 1-833-362-7368 or cservice@fna-group.com for authorization and direction to the nearest authorized service center in your area. Retain original cash register sales receipt as proof of purchase for warranty work. Use reasonable care in the operation and maintenance of the product as described in the Operator's Manual(s).

WHAT THE WARRANTY DOES NOT COVER:

- Freight damage
- Damage due to chemical deterioration, salt water, rust or corrosion
- Damage caused by parts or accessories not obtained from an authorized dealer or not approved by the manufacturer
- Normal wear of moving parts or components affected by moving parts
- Consumable parts such as: Fuel filter, air filter, spark plug(s), recoil starter rope, oil and lubricant(s)
- Normal periodic maintenance work such as carburetor cleaning and engine oil draining
- Freeze damage

ENGINE AND EMISSIONS CONTROL SYSTEM:

Covered by the engine manufacturer warranty. See engine manual for further details.

HIGH-PRESSURE PUMP (DEFECTS IN MATERIAL AND WORKMANSHIP):

FIVE (5) years from the date of purchase.

FRAME (DEFECTS IN MATERIAL AND WORKMANSHIP):

TEN (10) years from the date of purchase.

ACCESSORIES (DEFECTS IN MATERIAL AND WORKMANSHIP):

Including nozzles, hoses, spray guns, wands, tires, feet

Ninety (90) days from the date of purchase.

THIS PAGE WAS INTENTIONALLY LEFT BLANK



READ THIS MANUAL CAREFULLY BEFORE OPERATION

Failure to follow the instructions and safety precautions in this manual can result in property damage, serious injury and/or death.

SAVE THIS MANUAL FOR FUTURE REFERENCE

Copyright © 2025 FNA Group, Inc. All rights reserved.

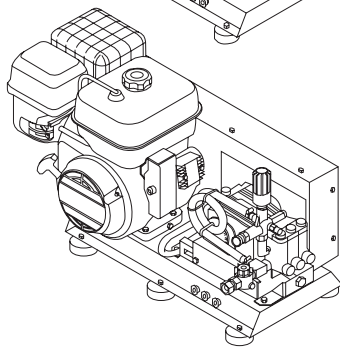
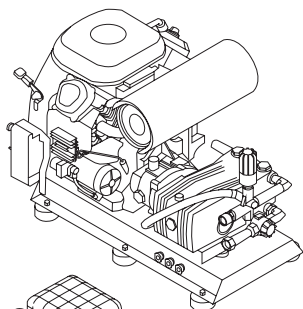
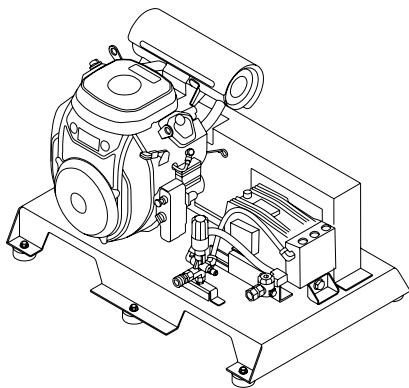


LAVEUR SOUS PRESSION

GUIDE D'UTILISATION ET D'ENTRETIEN



**PAS À VENDRE DANS
L'ÉTAT DE CALIFORNIE**



**REGARDEZ AVANT
DE POMPER!**

— Pourcentage d'éthanol —

<10% **OK** **NO** 15% - 30% - 85%



LIRE ATTENTIVEMENT CE GUIDE AVANT L'UTILISATION

Le fait de ne pas suivre les instructions et les précautions de sécurité de ce guide peut entraîner des dommages matériels, des blessures graves et/ou la mort.

Si le laveur sous pression ne fonctionne pas ou si des pièces sont manquantes ou endommagées, veuillez **NE PAS LE RETOURNER AU LIEU D'ACHAT**. Contactez notre service à la clientèle par téléphone au **1-833-362-7368** ou par courriel à **cservice@fna-group.com**

CONSERVEZ CE GUIDE POUR RÉFÉRENCE ULTÉRIEURE

REMARQUE : Les photographies et les schémas utilisés dans ce guide sont donnés à titre indicatif uniquement et peuvent ne pas représenter votre modèle spécifique.

REMARQUES

CETTE PAGE A ÉTÉ INTENTIONNELLEMENT LAISSÉE BLANCHE

CONSERVER CE GUIDE POUR UNE UTILISATION ULTÉRIEURE

Conservez ce manuel pour référence future. Ce manuel doit être considéré comme une partie permanente du produit et rester avec lui. Ce manuel doit être accessible à toute personne utilisant le(s) produit(s) qu'il couvre. Ce manuel doit accompagner le(s) produit(s) qu'il couvre s'il est vendu à un nouveau propriétaire. Si le manuel est endommagé, perdu ou inutilisable, contactez le support client en appelant le 1-833-362-7368 ou en envoyant un e-mail à cservice@fna-group.com

Notez le numéro de modèle, le numéro de série et la date d'achat de ce produit dans les espaces prévus ci-dessous, puis conservez ce guide avec le(s) reçu(s) d'achat pour toute référence ultérieure.

Numéro de
modèle :

Numéro de
série :

Date d'achat :



AVERTISSEMENT DE LA PROPOSITION 65 DE LA CALIFORNIE

Ce produit et les gaz d'échappement du moteur peuvent vous exposer à des produits chimiques connus dans l'État de Californie pour provoquer des cancers, des anomalies congénitales ou d'autres problèmes de reproduction. Pour plus d'informations sur la proposition 65 de l'État de Californie, consultez le site www.P65Warnings.ca.gov.



AVERTISSEMENT SUR LES HYDROCARBURES AROMATIQUES POLYCYCLIQUES

L'élément du filtre à air et l'ensemble de la boîte à air peuvent contenir des hydrocarbures aromatiques polycycliques (HAP). Certains HAP peuvent provoquer le cancer. Pour éviter toute exposition aux HAP, portez des gants lors de l'entretien du filtre à air.

TABLE DES MATIÈRES

INSTRUCTIONS DE SÉCURITÉ	4
Lire ce guide avant l'utilisation	4
Instructions supplémentaires	4
Symboles d'alerte de danger	4
CLAUSES DE NON-RESPONSABILITÉ	6
ÉQUIPEMENT DE PROTECTION INDIVIDUELLE	6
DÉBALLAGE	6
ASSEMBLAGE	7
Ajout du kit de pieds	7
Connexion à la source de la batterie	8
Connexion à la source de carburant	9
Stockage des buses	9
Ajout du bouchon de reniflard de la pompe	9
EMPLACEMENT DES COMPOSANTS	10
RACCORDEMENT DES TUYAUX	14
PURGER L'AIR DE LA POMPE	15
BUSES	16
Sélection de la buse	16
Installation de la buse	16
LISTE DE CONTRÔLE DE FONCTIONNEMENT	17
Emplacement	17
Fonctionnement à haute altitude (Modèles non EFI uniquement)	18
Conditions de fonctionnement	18
Vérification de l'huile moteur	20
Vérification du carburant	22

DÉMARRAGE DU MOTEUR	24
ARRÊT DU MOTEUR	26
CONSEILS D'UTILISATION	26
Termes	26
Préparation	26
Lavage sous pression	27
Réglage de la pression de surface	27
Réglage du bouton de commande manuelle du déchargeur pour régler la pression	27
DÉPANNAGE	28
ENTRETIEN	30
Entretien	30
Nettoyage du laveur sous pression	31
Raccords	31
Nettoyage des buses	32
Filtre d'entrée d'eau	33
Entretien de la pompe	34
Entretien de la boîte de vitesses de la pompe	35
Entretien de la courroie	36
Entretien du moteur	38
ENTREPOSAGE ET TRANSPORT	38
Entreposage pendant deux mois ou moins	38
Entreposage pendant plus de deux mois	39
Transport	39
PROTECTION DE POMPE SIMPSON®	40
GARANTIE	41

INSTRUCTIONS DE SÉCURITÉ



LIRE CE GUIDE AVANT L'UTILISATION

Ce guide contient des informations et des instructions de sécurité importantes. **N'utilisez pas** ce produit avant d'avoir lu et compris toutes les instructions de sécurité, d'utilisation et d'entretien figurant dans ce guide. Le fait de ne pas suivre les instructions et les précautions de sécurité de ce guide peut entraîner des dommages matériels, des blessures graves et/ou la mort.

REMARQUE : Les avertissements et les précautions abordés dans ce guide ne peuvent pas couvrir toutes les conditions et situations pouvant se produire. L'utilisateur doit comprendre que la sensibilisation et la prudence sont des facteurs qui ne peuvent pas être intégrés à ce produit et qu'ils doivent donc être exercés par l'utilisateur.



INSTRUCTIONS SUPPLÉMENTAIRES

En plus de ce guide, lisez attentivement toutes les instructions supplémentaires fournies sur et avec le produit, l'équipement annexe, les accessoires et le moteur qui alimente le produit. Portez une attention particulière à toutes les règles de sécurité supplémentaires et aux instructions concernant les procédures de démarrage, d'utilisation et d'arrêt. Utilisez toujours les vêtements de protection recommandés qui peuvent être nécessaires pour utiliser l'équipement en toute sécurité.



SYMBOLES D'ALERTE DE DANGER

Veillez à bien comprendre les symboles de sécurité et les définitions énumérés ci-dessous. Chaque symbole contient l'un des quatre mots suivants : **DANGER**, **AVERTISSEMENT**, **ATTENTION**, **AVIS**, indiquant différents niveaux de risque. Ces symboles sont utilisés tout au long de ce guide et sont suivis d'informations sur un danger précis, les conséquences de ce danger et des instructions sur la façon d'éviter ce danger. Si vous ne tenez pas compte de ces symboles et ne suivez pas les instructions qui leur sont fournies, vous risquez de subir des dommages matériels, des blessures et/ou la mort.

 **DANGER:**

Indique une situation dangereuse imminente qui, si elle n'est pas évitée, entraînera des dommages matériels, des blessures graves et/ou la mort.

 **AVERTISSEMENT:**

Indique une situation potentiellement dangereuse qui, si elle n'est pas évitée, peut entraîner des dommages matériels, des blessures graves et/ou la mort.

 **ATTENTION:**

Indique une situation dangereuse qui, si elle n'est pas évitée, peut entraîner des dommages matériels et/ou des blessures légères à modérées.

AVIS

Indique des informations considérées comme importantes, mais qui ne sont pas directement liées au danger.



AVERTISSEMENT: PRATIQUES DANGEREUSES

N'utilisez pas l'appareil lorsque vous êtes fatigué ou sous l'influence de drogues et/ou d'alcool. Restez vigilant à tout moment. Ne vous étendez pas trop ou ne vous tenez pas sur une surface instable. La pulvérisation ne doit pas se faire en se tenant sur une échelle. La force réactive de la pulvérisation provoque un rebond du pistolet de pulvérisation et risque de faire glisser ou tomber l'opérateur ou de mal orienter la pulvérisation. Une mauvaise maîtrise du pistolet de pulvérisation peut entraîner des blessures à soi-même ou à d'autres personnes. Saisissez fermement le pistolet de pulvérisation à deux mains. Prévoyez un rebond du pistolet de pulvérisation lorsqu'il est déclenché. Ne pointez jamais le pistolet de pulvérisation vers des personnes et/ou des animaux et ne les aspergez pas.

CAUTION



TRIPPING HAZARD

Hoses may pose a tripping hazard that can cause injuries resulting from a fall

ATTENTION:

RISQUES DE GLISSEMENT ET DE TRÉBUTS

Lors du lavage à haute pression dans les espaces publics, des panneaux doivent être affichés indiquant de rester à l'écart de la zone pendant le lavage à haute pression. De plus, des panneaux doivent être affichés indiquant que la surface peut être glissante et qu'il peut y avoir des risques de trébuchement.

Une attention particulière doit être portée à la sécurité non seulement de l'opérateur du nettoyeur haute pression, mais également des personnes qui peuvent se trouver à proximité de la zone à nettoyer. La meilleure façon d'avertir les personnes sans méfiance est d'utiliser des panneaux de signalisation et des barrières.

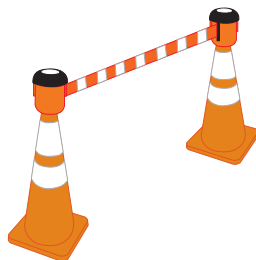
Les barrières peuvent être aussi simples que des cônes de signalisation en plastique ou des barricades à l'aide de ceintures de barrière autour de la zone à nettoyer. N'oubliez pas que le lavage à pression peut déloger une chaussée faible ou cassée, la transformant en projectiles pouvant blesser d'autres personnes. Garder les gens à l'écart de la zone est le meilleur moyen d'éviter les blessures.

La chaussée mouillée peut être glissante pour les personnes sans méfiance, causant des blessures causées par des glissades et des chutes. Les flexibles à haute et basse pression peuvent être des risques de trébuchement. Séparer la zone et placer une signalisation appropriée peut réduire les blessures.

Exemples de signes



Exemples de barrières



AVIS

Cet appareil n'est pas destiné à être utilisé par des personnes dont les capacités physiques, sensorielles ou mentales sont réduites, ou qui manquent d'expérience et de connaissances, à moins qu'elles n'aient bénéficié d'une surveillance ou d'instructions concernant l'utilisation de l'appareil de la part d'une personne responsable de leur sécurité.

Les enfants doivent être surveillés afin de s'assurer qu'ils n'utilisent pas ou ne jouent pas avec l'appareil.

CLAUSES DE NON-RESPONSABILITÉ

- Tous les renseignements dans cette publication sont basés sur les derniers renseignements disponibles sur le produit au moment de l'impression. Le groupe FNA se réserve le droit de mettre à jour, de modifier et/ou d'améliorer le produit et ce document à tout moment, sans préavis et sans encourir aucune obligation.
- Ce guide peut concerner plusieurs machines. Les images et les figures du guide ne doivent être utilisées qu'à titre de référence. Il peut y avoir des différences entre votre produit et les images, les schémas et les diagrammes de ce guide.

ÉQUIPEMENT DE PROTECTION INDIVIDUELLE (EPI)

Il est important de comprendre quel équipement de protection individuelle (EPI) doit être utilisé lors de l'utilisation de votre laveur sous pression. Des objets légers ou mal fixés peuvent se transformer en projectiles dangereux. Vous trouverez ci-dessous une liste des équipements de protection individuelle qui doivent être utilisés à tout moment lors de l'utilisation d'un laveur sous pression.

Ouïe : bouchons d'oreilles ou casques pour protéger votre ouïe.

Vision : lunettes de sécurité Z87.1 approuvées par l'ANSI ou lunettes de protection pour protéger vos yeux.

Vêtements : pantalon long et chemise à manches longues pour protéger vos jambes et vos bras des débris volants

Chaussures : Chaussures à semelle en caoutchouc recouvrant entièrement les pieds pour les protéger contre les débris, les embruns et les chocs électriques.

DÉBALLAGE

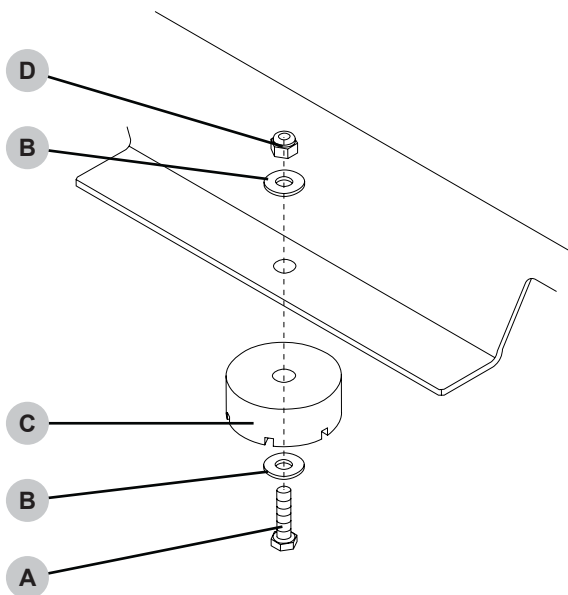
Suivez les étapes décrites dans cette section pour déballer et assembler votre laveur sous pression. Si vous avez des questions concernant le déballage ou l'assemblage de votre laveur sous pression, veuillez avoir votre numéro de modèle et votre numéro de série à portée de main, puis contactez le service clientèle au 1-833-362-7368 ou par courriel à cservice@fna-group.com.

1. Placez la palette d'expédition sur une surface solide et plane.
2. Coupez soigneusement les sangles d'expédition.
3. À l'aide d'un chariot élévateur, retirez l'unité de la palette d'expédition.

ASSEMBLAGE

Ajout du kit de pieds

1. À l'aide d'un chariot élévateur, soulever l'unité à un niveau de travail confortable.
2. Placer une rondelle plate (B) sur chaque boulon (A), puis insérez-les dans les pieds de montage (C).
3. Par le bas, insérer l'ensemble des pieds de montage de l'étape 2.
4. Placer une rondelle plate (B) sur le boulon, pour visser un écrou hexagonal en nylon (D) ; serrez l'écrou.



ATTENTION:

ASSEMBLAGE INCORRECT

Veillez à ce que toutes les pièces soient assemblées dans l'ordre et l'orientation indiqués dans ce guide. Le fait de ne pas assembler correctement les pièces peut entraîner des blessures graves et/ou des dommages matériels.

Connexion à la source de la batterie (s'il y a lieu)



AVERTISSEMENT:

CONNEXIONS DE LA BATTERIE

Retirez toujours le câble noir négatif (-) de la batterie en premier et connectez toujours le câble noir négatif (-) de la batterie en dernier. Ne pas le faire pourrait provoquer un court-circuit des outils métalliques avec le cadre, ce qui pourrait provoquer des brûlures ou une explosion de la batterie.

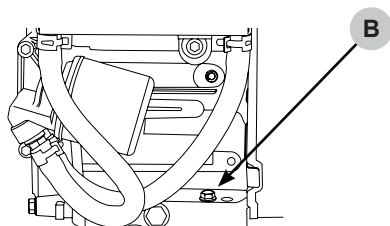
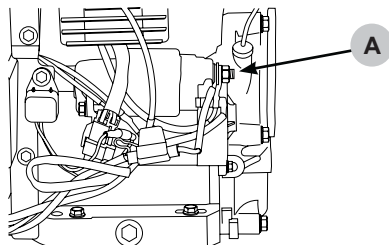
Une batterie de 12 volts (non incluse) peut être nécessaire pour démarrer le moteur. Afin de connecter une batterie au moteur du nettoyeur haute pression, les câbles de batterie (non fournis) devront être connectés au démarreur du moteur et au châssis du nettoyeur haute pression.

Notez ce qui suit:

- N'acheminez pas les câbles de la batterie à proximité de pièces chaudes, mobiles ou rotatives, ou d'arêtes vives.
- Éloigner les câbles de la batterie des autres fils électriques ou conduites de carburant.
- Protégez la connexion positive avec un couvercle ou une isolation.
- Utilisez des passe-câbles si les câbles doivent passer à travers des panneaux métalliques.
- Les fils de la batterie doivent être correctement dimensionnés (jauge) pour la longueur du câble.
- Pour un moteur bicylindre, utilisez une batterie d'une capacité minimale de 45 AH (400 CCA). Pour un moteur monocylindre, utilisez une batterie d'une capacité minimale de 24 AH (175 CCA).

Connectez un fil positif ROUGE de batterie (non fourni) à la borne de batterie (A) du démarreur. Desserrez l'écrou avec une clé à fourche. Retirez l'écrou, placez la cosse à anneau du câble de la batterie sur la borne, puis vissez l'écrou. Serrez avec la clé.

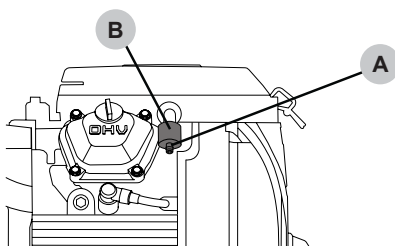
Connectez un fil négatif de batterie NOIR (non fourni) à une masse de cadre appropriée. Le meilleur endroit pour le faire est l'un des boulons de fixation du moteur (B). À l'aide de clés à extrémité ouverte, desserrez puis retirez le boulon. Faites passer le boulon à travers la borne à anneau de câble, puis revenez à travers le support moteur. Si le diamètre du boulon est de 5/16 », serrer dans une fourchette de 13-17 ft.lbs. Si le diamètre du boulon est de 3/8 », serrer à une fourchette de 19-23 ft.lbs.



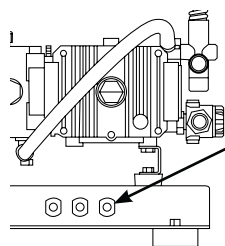
Connexion à la source de carburant (s'il y a lieu)

Il se peut qu'un réservoir de stockage de carburant ne soit pas inclus avec le nettoyeur haute pression. Un système de stockage de carburant approprié devra être connecté au moteur à l'aide d'un tuyau en caoutchouc approuvé pour le carburant (non inclus).

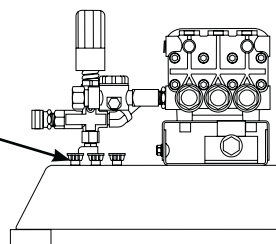
Connecter le tuyau de conduite de carburant au raccord cannelé (A) sur le filtre à carburant du moteur (B). Fixez avec un collier de serrage (non inclus).



Stockage des buses

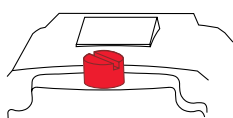


Placer les buses dans les porte-buses.



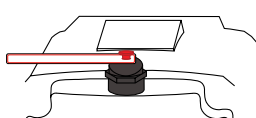
Ajout du bouchon de reniflard de la pompe

La pompe haute pression peut avoir un événement qui nécessite votre attention avant d'utiliser la laveuse pour la première fois. Veuillez voir ci-dessous le style que vous pourriez avoir.



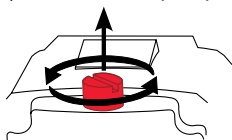
Bouchon d'expédition

OU

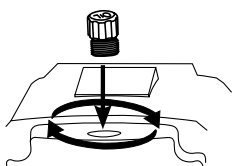


Bouchon d'expédition en caoutchouc

1. Utilisez le tournevis à lame approprié, la clé Allen ou la clé pour retirer le capuchon d'expédition (généralement ROUGE) du haut de la pompe.

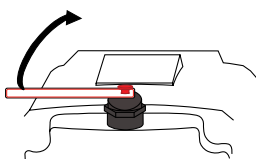


2. Vissez à la main le bouchon de reniflard dans la pompe.

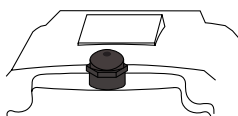


3. Serrez le capuchon avec vos doigts.

1. Saisissez l'étiquette et retirez-la ainsi que le bouchon d'expédition en caoutchouc ROUGE.

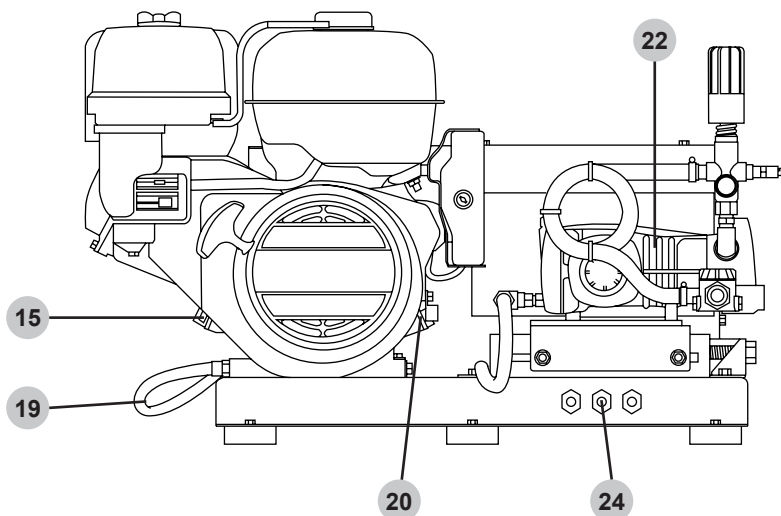
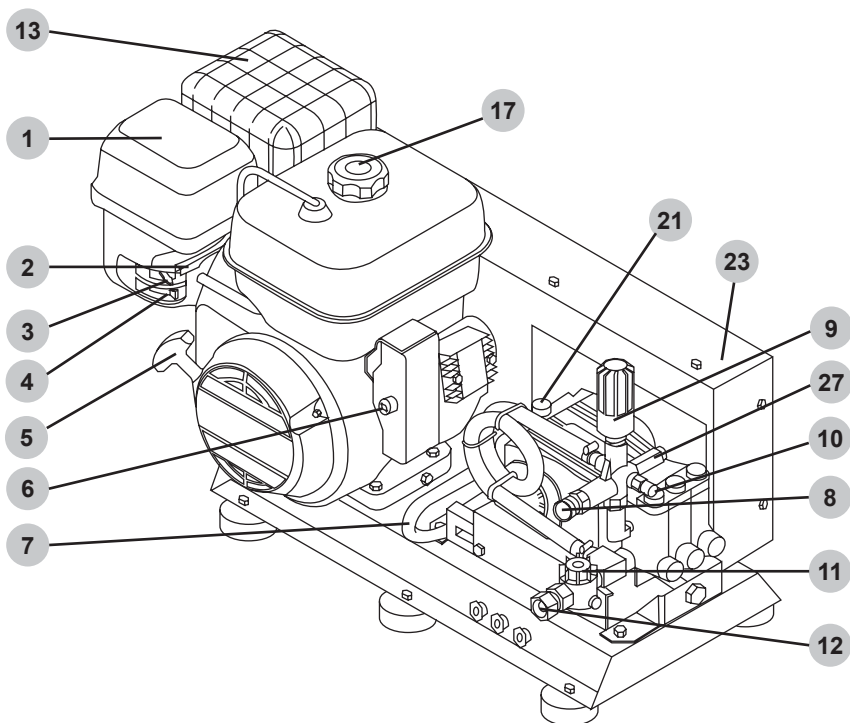


2. Le reniflard est maintenant correctement ouvert.

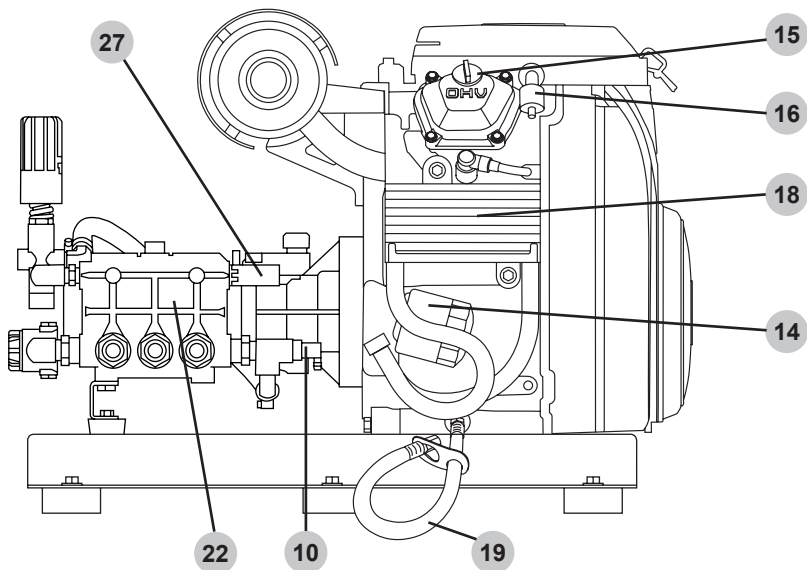
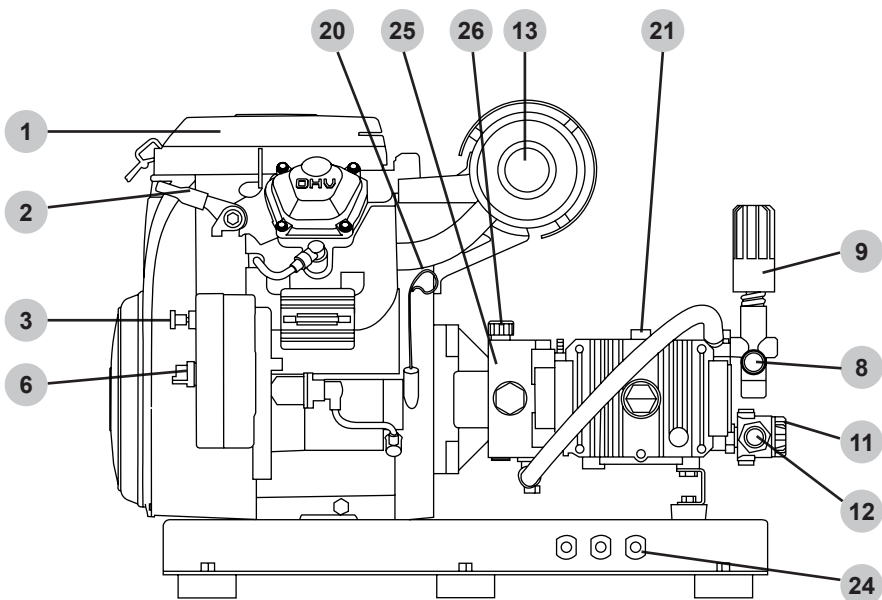


EMPLACEMENT DES COMPOSANTS

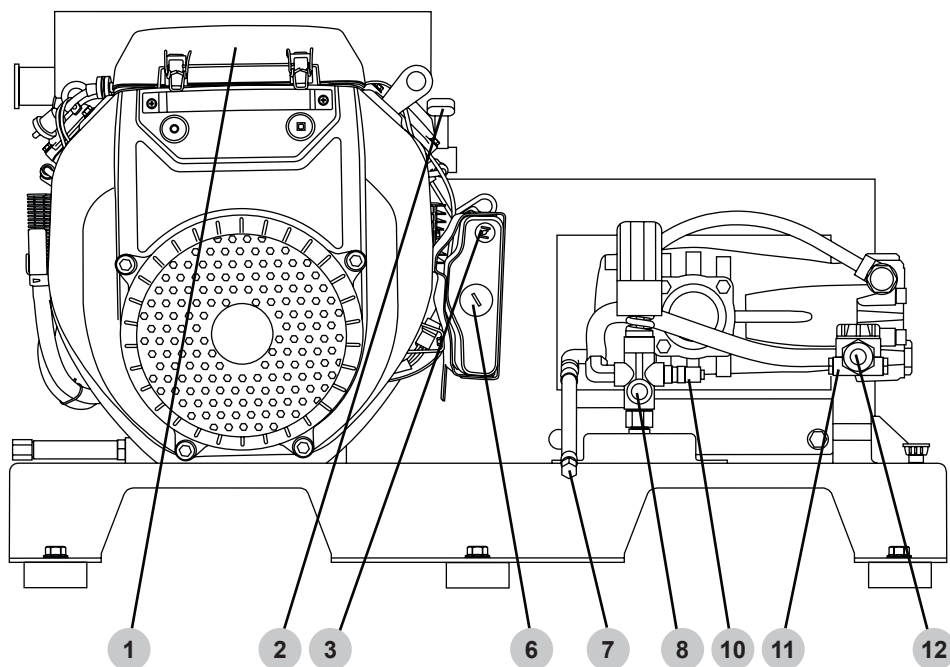
ENTRAÎNEMENT PAR COURROIE À CYLINDRE UNIQUE



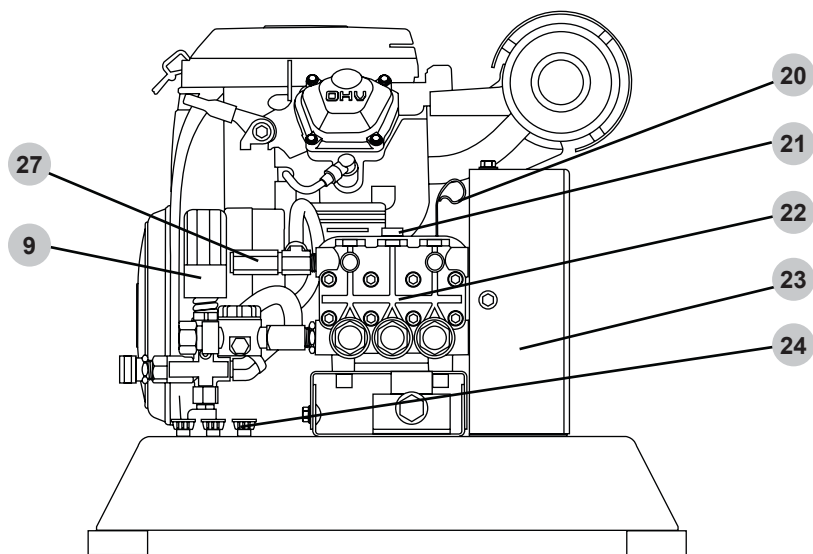
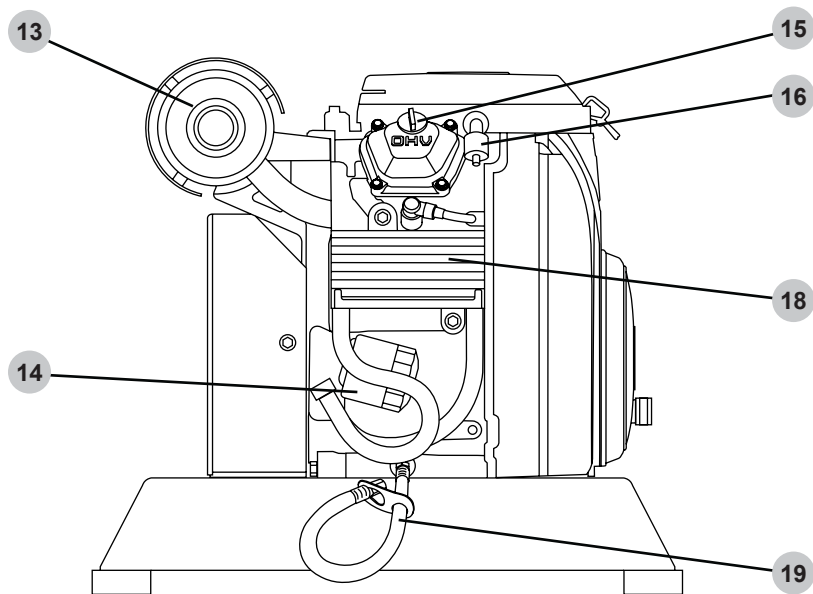
TRANSMISSION À DEUX CYLINDRES PAR ENGRENAGES



TRANSMISSION PAR COURROIE À DEUX CYLINDRES



1. Couvercle du boîtier du filtre à air
2. Levier d'accélérateur du moteur (si équipé)
3. Commande du starter du moteur (si équipé)
4. Levier du robinet de carburant du moteur (si équipé)
5. Rembobinage du moteur (si équipé)
6. Interrupteur à clé MARCHE-ARRÊT-DÉMARRAGE
7. Tuyau de vidange d'huile de pompe (si équipé)
8. Sortie de pompe haute pression
9. Bouton de commande manuel du déchargeur
10. Soupape de décharge thermique
11. Boîtier du filtre à eau
12. Coupleur de tuyau d'arrosage
13. Silencieux moteur
14. Filtre à huile moteur (si équipé)
15. Bouchon de remplissage d'huile moteur (vérifier l'emplacement dans le manuel du propriétaire du moteur)
16. Filtre à carburant moteur (si équipé)
17. Bouchon de remplissage de carburant moteur (si équipé)
18. Refroidisseur d'huile moteur (si équipé)
19. Tuyau de vidange d'huile moteur

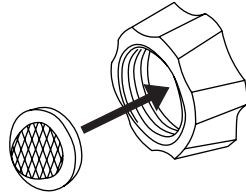


- 20. Jauge d'huile moteur (vérifier l'emplacement dans le manuel du propriétaire du moteur)
- 21. Remplissage d'huile de pompe haute pression
- 22. Pompe à haute pression
- 23. Protecteur de courroie extérieure (si équipé)
- 24. Porte-buses
- 25. Boîtier d'engrenages de pompe (si équipé)
- 26. Remplissage d'huile de boîte de vitesses de pompe (si équipé)
- 27. Soupape de surpression

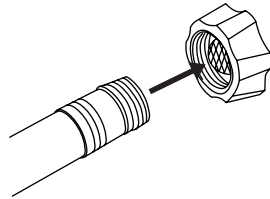
RACCORDEMENT DES TUYAUX (non inclus)

Avant de raccorder un tuyau d'alimentation en eau, l'alimentation en eau doit fournir une source ininterrompue d'eau propre et froide d'au moins le débit nominal en gallons par minute (GPM) du nettoyeur haute pression et une pression de 20 livres par pouce carré (PSI). Cependant, nous recommandons que l'alimentation en eau soit au moins 10 % supérieure au débit nominal en gallons par minute (GPM) du nettoyeur haute pression. Une fois l'alimentation en eau adéquate assurée, suivez les instructions ci-dessous pour raccorder l'alimentation en eau et les tuyaux haute pression au nettoyeur haute pression. N'utilisez PAS d'eau chaude. Utilisez uniquement de l'eau froide.

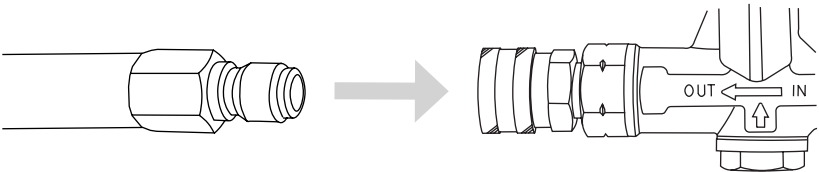
1. Vérifiez que la grille d'entrée est exempte de toute saleté ou débris et qu'elle est en place avec le côté convexe vers l'extérieur.



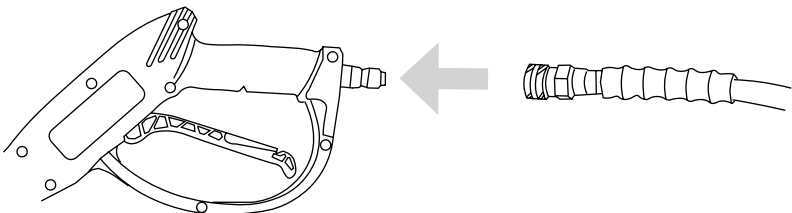
2. Ouvrez l'alimentation en eau et faites-la fonctionner pendant 30 secondes pour purger les débris du tuyau d'alimentation. Coupez ensuite l'arrivée d'eau et vissez le boyau d'eau dans l'entrée de la pompe.



3. Tout en tirant vers l'arrière sur le collier de sortie de la pompe, insérez le raccord du tuyau et relâchez le collier. Tirez doucement sur le tuyau pour vous assurer qu'il est bien verrouillé.



4. Tout en tirant vers l'arrière sur le collier de sortie du tuyau, insérez le raccord du pistolet et relâchez le collier. Tirez doucement sur le tuyau pour vous assurer qu'il est bien verrouillé.



PURGER L'AIR DE LA POMPE



AVIS

PURGE DE LA POMPE

Faire fonctionner une pompe de nettoyeur haute pression sans eau endommagera gravement les joints de la pompe et d'autres composants internes. Pour éviter ce danger, assurez-vous que votre alimentation en eau est ininterrompue et qu'elle a au moins le débit nominal du nettoyeur haute pression et au moins 20 PSI, et purgez toujours l'air de la pompe de votre nettoyeur haute pression avant de démarrer le moteur.

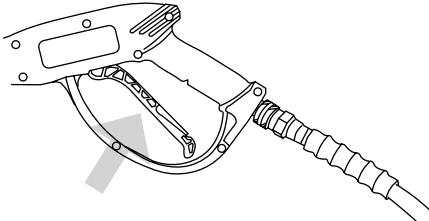


AVERTISSEMENT:

BLESSURE PAR INJECTION

Les hautes pressions créées par un laveur sous pression peuvent provoquer des blessures par injection de liquide, des lacérations graves, des amputations et/ou la mort. Pour éviter ces dangers, orientez toujours le pistolet de pulvérisation et la lance dans une direction sécuritaire et ne tentez jamais de toucher une fuite dans un tuyau ou un raccord sous haute pression.






Une pompe de laveur sous pression est conçue pour fonctionner avec de l'eau qui la traverse. L'eau lubrifie et refroidit les composants internes de la pompe. L'utilisation d'une pompe de laveur sous pression sans eau endommage sévèrement les joints de la pompe ainsi que d'autres composants internes. Les dommages causés par le fonctionnement d'une pompe de laveur sous pression sans eau ne sont pas couverts par la garantie. Veillez à suivre les instructions ci-dessous pour purger correctement l'air de votre pompe de laveur sous pression avant de démarrer le moteur.

1. Raccordez tous les tuyaux en suivant les étapes décrites dans la section RACCORDEMENT DES TUYAUX de ce guide, puis ouvrez la source d'eau froide.
2. Orientez le pistolet de pulvérisation dans une direction sécuritaire et maintenez la gâchette enfoncée pendant au moins 30 secondes ou jusqu'à ce que l'eau coule régulièrement et que tout l'air soit purgé de la pompe et des boyaux.
3. Vérifiez l'absence de fuites dans les tuyaux et les raccords. Si vous trouvez des fuites, arrêtez la machine, dirigez le pistolet de pulvérisation dans une direction sécuritaire et appuyez sur la gâchette pour relâcher toute pression accumulée dans le système. N'essayez jamais de toucher une fuite dans un tuyau ou un raccord haute pression. N'essayez jamais de réparer un tuyau haute pression.
4. Enclenchez le verrou de la gâchette.

BUSES

Sélection de la buse

Les buses fournies avec le laveur sous pression ont des jets spécifiques conçus pour nettoyer différentes surfaces. L'utilisation d'une buse incorrecte peut endommager les surfaces. Consultez le tableau ci-dessous pour sélectionner la buse correcte avant d'utiliser le laveur sous pression. **REMARQUE** : La sélection des buses incluses peut varier selon les modèles de laveurs sous pression.

Couleur	Modèle de pulvérisation	Utilisations	Surfaces
Rouge	 0° HAUTE PRESSION	Nettoyage ponctuel de surfaces dures, non peintes et des zones en hauteur	Métal et béton non peint NE PAS utiliser sur le bois.
Jaune	 15° HAUTE PRESSION	Nettoyage intense des surfaces non peintes	Grilles, allées, trottoirs en béton et en brique, brique et stuc non peints
Vert	 25° HAUTE PRESSION	Buse de nettoyage standard pour la plupart des applications	Outils de chantier, trottoirs, meubles de jardin, revêtement non peint, stuc, caniveaux, avant-toits, surfaces en béton et brique
Blanc	 40° HAUTE PRESSION	Nettoyage des surfaces peintes ou délicates	Revêtements pour automobiles, camions, véhicules récréatifs, bateaux, bois, briques peintes, stucs peints, vinyle et revêtements peints
Noir	 SAVON BASSE PRESSION	Application de solutions de nettoyage	Sécuritaire sur toutes surfaces. Vérifiez toujours la compatibilité des solutions de nettoyage avant l'emploi.



AVIS

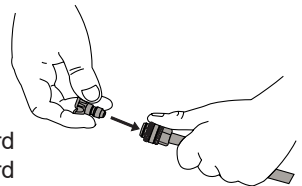
DOMMAGES DE PULVÉRISATION

Le jet sous haute pression de la laveuse haute pression est capable d'endommager des surfaces comme le bois, le verre, les peintures d'automobiles, les garnitures d'automobiles, et les objets délicats. Pour éviter de causer des dommages, couvrez les plantes avant de pulvériser à proximité, consultez le tableau Sélection de la buse dans ce guide pour connaître la sélection de la buse correcte et testez les surfaces avant de pulvériser pour vérifier si elles sont suffisamment robustes pour supporter une pulvérisation sous haute pression.

Installation de la buse

Si le moteur est en marche, assurez-vous que le verrou de la gâchette est en position verrouillée avant de retirer et d'installer les buses.

Pour placer une buse dans la lance d'arrosage, tirez le raccord rapide vers l'arrière, insérez la buse, puis relâchez le raccord pour qu'il se remette en place. Une fois installée, tirez sur la buse pour vous assurer qu'elle est bien fixée.



LISTE DE CONTRÔLE DE FONCTIONNEMENT



AVERTISSEMENT:

LISTE DE CONTRÔLE DE FONCTIONNEMENT

Tenter de démarrer le moteur ou d'utiliser le laveur sous pression incorrectement peut endommager le moteur et/ou le laveur sous pression et provoquer des blessures graves ou la mort. Pour éviter ces risques, ne manquez pas de lire, comprendre et respecter les étapes décrites dans la section LISTE DE CONTRÔLE DE FONCTIONNEMENT du manuel de l'utilisateur avant de démarrer le moteur et de suivre toutes les recommandations pour l'utilisation correcte du laveur sous pression.

Emplacement

Placez le laveur sous pression sur une surface plane à l'extérieur dans un endroit bien ventilé avant de l'utiliser. Gardez tous les matériaux inflammables à au moins cinq pieds (1,5 mètres) de tous les côtés du produit.

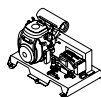
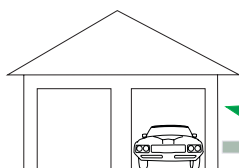
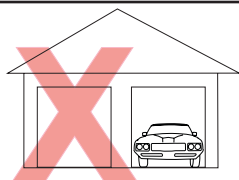
- N'utilisez jamais le laveur sous pression à l'intérieur d'une maison, d'un garage ou de tout autre type d'enceinte, même si les portes et les fenêtres sont ouvertes. Faites fonctionner le moteur à une distance d'au moins à 20 pieds (6 mètres) des fenêtres, portes et aérateurs. Tenez compte soigneusement du sens du vent et des courants d'air lorsque vous utilisez ce laveur à pression à l'extérieur, pour éviter d'inhaler les gaz d'échappement du moteur.
- En suivant les instructions et les recommandations du fabricant, installez des avertisseurs de monoxyde de carbone fonctionnant sur piles dans tout bâtiment occupé à proximité du moteur en marche.
- Si vous souffrez de maux de tête, de nausées, de vertiges, de somnolence ou de faiblesse pendant que le laveur sous pression est en marche, allez à l'air frais et consultez immédiatement un médecin.



AVERTISSEMENT:

VAPEURS TOXIQUES

Les gaz d'échappement du moteur contiennent du monoxyde de carbone, un gaz inodore, incolore et toxique. Faire fonctionner un moteur à l'intérieur tue en quelques minutes. N'utilisez jamais ce produit à l'intérieur d'une maison, d'un garage ou de tout autre type de bâtiment fermé, même avec les portes et fenêtres ouvertes. Faites fonctionner le moteur à une distance d'au moins à 20 pieds (6 mètres) des fenêtres, portes et aérateurs. Tenez compte soigneusement du sens du vent et des courants d'air lorsque vous utilisez ce produit à l'extérieur, pour éviter d'inhaler les gaz d'échappement du moteur. Utilisez toujours un détecteur de monoxyde de carbone dans des bâtiments occupés, à proximité du moteur.



Fonctionnement à haute altitude (Modèles non EFI uniquement)

Ce moteur aura une performance du moteur et un contrôle des émissions appropriés lorsqu'il est utilisé à ou sous une altitude de 1 524 mètres (5 000 pieds). Ce moteur requiert un ensemble haute altitude pour le carburateur afin d'assurer une performance du moteur et un contrôle des émissions appropriés lorsqu'il est utilisé au-dessus de 1 524 mètres (5 000 pieds). Utiliser l'outil ayant la mauvaise configuration de moteur au-dessus de 1 524 mètres (5 000 pieds) peut augmenter ses émissions et réduire l'efficacité du carburant et le rendement. Pour obtenir un ensemble de carburateur haute altitude, contactez le centre de service agréé le plus proche.



AVIS

ALTITUDE

L'utilisation du moteur avec un kit d'injection haute altitude pour le carburateur en-dessous de 1 524 mètres (5 000 pieds) peut causer la surchauffe du moteur. Surchauffer le moteur peut l'endommager sérieusement. Pour éviter ce risque, vérifiez que le kit de carburateur correct est installé et que le mélange air/carburant est réglé correctement pour votre altitude.

Conditions de fonctionnement

Avant chaque utilisation, vérifiez s'il y a des pièces desserrées ou endommagées et toute autre condition pouvant affecter l'utilisation appropriée. Réparez ou remplacez immédiatement toutes les pièces endommagées et/ou défectueuses par des pièces autorisées. N'utilisez pas la machine avec des pièces manquantes, cassées ou non autorisées. Gardez toujours tous les dispositifs de protection en place et en bon état de fonctionnement. Pour des raisons de sécurité, le fabricant recommande que tous les entretiens et réparations soient effectués par un centre de service agréé. Ne jamais rendre inopérant les caractéristiques de sécurité du produit.

Avant de démarrer le moteur, enlevez toute saleté et tout débris excessifs des événements de refroidissement, de l'échappement et des zones du démarreur manuel. Utilisez toujours le laveur sous pression sur une surface plane et ne déplacez ou ne basculez jamais le laveur sous pression en cours d'utilisation. N'utilisez le laveur sous pression que pour l'usage auquel il est destiné. Ne tirez jamais sur le tuyau d'alimentation en eau ou sur le tuyau à haute pression pour déplacer le nettoyeur sous pression. Cela pourrait endommager le tuyau, l'entrée de la pompe et/ou la sortie de la pompe. Si vous avez des questions sur l'utilisation appropriée de votre laveur sous pression, veuillez communiquer avec le service à la clientèle au 1-833-362-7368 ou à cservice@fna-group.com.



AVERTISSEMENT:

ENFANTS ET ADULTES NON FORMÉS

Ne laissez pas les enfants ou les adultes non formés utiliser ou jouer avec le nettoyeur haute pression, car ils peuvent subir des blessures graves ou mortelles. Toute personne utilisant le nettoyeur haute pression doit recevoir des instructions appropriées, comprendre le fonctionnement en toute sécurité et lire attentivement le guide d'utilisation avant d'utiliser ce produit. Gardez les enfants et les animaux domestiques à l'écart du nettoyeur haute pression lorsqu'il est en marche. Arrêtez toujours le nettoyeur haute pression avant de quitter les lieux.



AVERTISSEMENT:

BLESSURE PAR INJECTION

Risque d'injection de liquide. Lorsque vous utilisez une combinaison lance/pistolet pulvérisateur avec ce nettoyeur haute pression, utilisez une lance d'au moins 31 pouces de longueur.



AVERTISSEMENT:

INSPECTER AVANT D'UTILISER

Le fait de ne pas inspecter ce produit avant de l'utiliser peut créer une situation dangereuse entraînant des dommages au produit, des blessures graves et/ou la mort. Pour éviter ces dangers, inspectez le laveur sous pression avant chaque utilisation. Vérifiez si des pièces sont desserrées ou endommagées, les signes de fuites d'huile ou de carburant, si des protections sont manquantes et toute autre condition susceptible d'affecter l'utilisation appropriée. Réparez ou remplacez toutes les pièces endommagées ou défectueuses par des pièces autorisées et maintenez les protections de sécurité en place et en bon état de fonctionnement avant d'utiliser le laveur sous pression.



AVERTISSEMENT:

BLESSURE PAR INJECTION

Les hautes pressions créées par un laveur sous pression peuvent provoquer des blessures par injection de liquide à la chair humaine et animale, des lacérations graves, des amputations et/ou la mort. Pour éviter ces dangers, orientez toujours le pistolet de pulvérisation et la lance dans une direction sécuritaire et ne tentez jamais de toucher une fuite dans un tuyau ou un raccord sous haute pression. Ne placez jamais vos mains devant la sortie du pistolet de pulvérisation. Ne tenez jamais le tuyau ou les raccords pendant le fonctionnement. Ne fixez ou ne retirez jamais le pistolet de pulvérisation ou les raccords du tuyau lorsque le système est sous pression. Ne pointez jamais le pistolet de pulvérisation vers des personnes et/ou des animaux et ne les aspergez pas. **NE TRAITEZ PAS L'INJECTION DE FLUIDE COMME UNE SIMPLE COUPURE!** Consultez immédiatement un médecin!



ATTENTION:

SURFACES CHAUDES

Un moteur en fonctionnement produit de la chaleur. Les surfaces du moteur, les autres composants connexes et les gaz d'échappement du moteur deviennent suffisamment chauds pour provoquer des brûlures légères et modérées ou enflammer les matériaux au contact (tels que le revêtement, le plastique, le caoutchouc, le vinyle ou le tuyau à haute pression lui-même), et endommager les plantes vivantes. Pour éviter les brûlures, ne touchez pas les surfaces du moteur, le silencieux ou les gaz d'échappement pendant le fonctionnement, et laissez le moteur refroidir complètement avant de le déplacer, de le toucher ou d'effectuer un quelconque entretien. Pour éviter un incendie, tenez toutes les matières inflammables à distance d'au moins cinq pieds de tous les côtés du produit. Ne couvrez jamais le nettoyeur haute pression pendant son fonctionnement ou immédiatement après son utilisation.



AVERTISSEMENT:

PIÈCES MOBILES

Ce produit contient de nombreuses pièces mobiles à haute vitesse. Les pièces mobiles peuvent causer des écrasements, des fractures, des lacérations graves et/ou des amputations traumatiques. Pour éviter les blessures, ne placez jamais vos doigts, mains, pieds ou autre partie du corps à proximité du moteur en marche. N'utilisez jamais le produit avec les capots, les coiffes ou autres protections retirés. Ne portez pas de vêtements amples, de cordon pendant ou autres objets pendants susceptibles de s'accrocher dans les pièces mobiles en fonctionnement. Attachez vos cheveux longs et retirez vos bijoux avant l'utilisation.



ATTENTION:

NOTE DE PRESSION

Utilisez uniquement des accessoires ou des pièces de rechange égales ou supérieures à la valeur nominale du nettoyeur haute pression pour éviter des blessures graves, des dommages au nettoyeur haute pression et/ou des dommages aux accessoires.



! DANGER:

CHOC ÉLECTRIQUE

La pulvérisation dirigée vers des prises ou des interrupteurs électriques, ou des objets connectés à un circuit électrique, peut entraîner un choc électrique mortel. Dirigez le jet à l'écart des prises, interrupteurs et équipements électriques. Ne nettoyez jamais un appareil fonctionnant à l'électricité, même s'il est débranché, à moins qu'il ne soit clairement indiqué dans son manuel que ce type de nettoyage est autorisé.



! AVERTISSEMENT:

RISQUE D'ÉCLATEMENT

Le surgonflage des pneus peut entraîner des blessures graves et des dommages matériels. Utilisez un manomètre pour vérifier la pression des pneus avant chaque utilisation et lors du gonflage des pneus (le cas échéant); consultez le flanc du pneu pour déterminer la pression correcte. Un jet à grande vitesse dirigé vers les flancs des pneus (comme ceux que l'on trouve sur les automobiles, les remorques et autres) pourrait endommager les flancs et provoquer des blessures graves. Sur les laveurs sous pression d'une puissance supérieure à 1600 psi (11032 kPa), utilisez le jet le plus large (buse de 40°) et maintenez le jet à une distance minimale de 8" (20 cm) du flanc du pneu. Ne dirigez pas le pulvérisateur directement sur le talon entre le pneu et la jante.



! DANGER:

**RISQUE D'EXPLOSION
OU D'INCENDIE**

L'utilisation du nettoyeur haute pression dans un environnement explosif peut provoquer un incendie. Utilisez l'équipement et faites le plein dans des zones bien ventilées et exemptes d'obstructions. Installez des extincteurs adaptés aux incendies d'essence dans les zones concernées.

Vérification de l'huile moteur



! ATTENTION:

HUILE CHAUDE

L'huile chaude peut provoquer des brûlures graves. Pour éviter de vous brûler lors de la vidange ou du contrôle de l'huile moteur, portez des gants appropriés et procédez à la vidange lorsque le moteur est chaud mais pas brûlant.



AVIS

**CAPTEUR DE NIVEAU
D'HUILE BAS**

Le détecteur de niveau d'huile bas (s'il est présent) arrête automatiquement le moteur si le niveau d'huile est inférieur à la limite sécuritaire. Pour éviter un arrêt inattendu, vérifiez le niveau d'huile avant chaque utilisation, remplissez jusqu'à la limite supérieure et utilisez toujours le moteur sur une surface plane.



AVIS

**REMPLISSEZ LE RÉSERVOIR D'HUILE
MOTEUR AVANT UTILISATION**

Le moteur est expédié de l'usine sans huile. Utiliser le moteur sans huile peut provoquer de graves dommages au moteur et annuler la garantie. Pour éviter d'endommager le moteur et d'annuler la garantie, remplissez le moteur avec de l'huile du type recommandé avant de le démarrer.

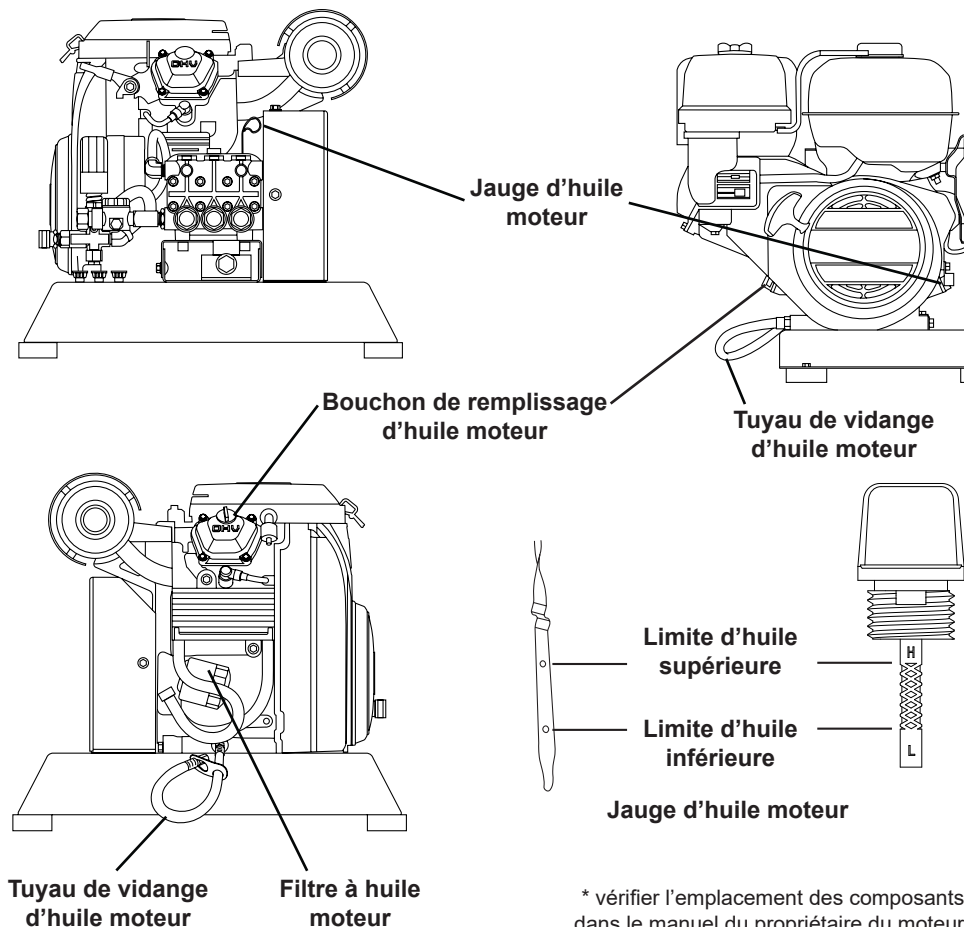


AVIS

UTILISEZ L'HUILE MOTEUR CORRECTE

L'huile est un facteur majeur qui affecte la performance et la durée de service d'un moteur. Utiliser une huile incorrecte peut endommager le moteur et annuler la garantie. Pour éviter d'endommager le moteur et d'annuler la garantie, vérifiez et changez l'huile selon les besoins en utilisant l'huile moteur correcte.

1. Vérifiez l'huile avec un nettoyeur haute pression sur une surface plane et le moteur arrêté.
2. Dévisser/tirer la jauge d'huile du moteur, puis essuyez-la.
3. Placez entièrement la jauge propre dans le tube de la jauge. S'il est fileté, ne l'enfilez pas, laissez-le reposer sur le goulot de remplissage.
4. Retirer la jauge et vérifier le niveau d'huile. Le niveau d'huile doit se situer entre les limites supérieure et inférieure de la jauge.
5. Si le niveau est bas, ajoutez l'huile recommandée dans le carter jusqu'à ce que le niveau atteigne la limite supérieure de la jauge. Consultez le manuel du moteur pour connaître l'huile recommandée.
6. Placez la jauge entièrement dans le tube de la jauge ou serrez le bouchon en le vissant dans le goulot de remplissage.



* vérifier l'emplacement des composants dans le manuel du propriétaire du moteur

Vérification du carburant



AVERTISSEMENT:

REPLISSAGE DE CARBURANT

L'essence est hautement inflammable et ses vapeurs sont extrêmement explosives. Un incendie et des explosions peuvent causer des brûlures graves et/ou la mort. Tenez l'essence à l'écart des flammes, des étincelles et de toute autre source d'allumage. Remplissez le réservoir de carburant à l'extérieur dans un endroit bien aéré avec le moteur arrêté et froid. Essuyez l'essence renversée et laissez le moteur sécher avant de le démarrer. Gardez un extincteur à portée de la main pendant le remplissage de carburant. N'utilisez pas le moteur avec des fuites dans le circuit d'alimentation. N'entrez pas l'essence à proximité de matières inflammables. Entrez le carburant dans un conteneur propre approuvé par l'OSHA, dans un endroit sécurisé éloigné de la zone de travail.



AVIS

ESSENCE ANCIENNE

L'essence ancienne peut créer des dépôts qui bouchent le circuit de carburant, provoquant un démarrage difficile et une performance médiocre. Les dommages causés par l'essence ancienne ne sont pas couverts par la garantie. Pour réduire les dépôts, éviter les problèmes de performance associés et éviter des réparations dispendieuses, n'utilisez pas d'essence plus ancienne que 30 jours.



AVIS

MÉLANGES À BASE D'ALCOOL

L'utilisation d'essence contenant un mélange à base d'alcool supérieur à 10 % (E10) endommage le moteur. Les dommages causés par l'utilisation d'un mélange à base d'alcool à 15 % (E15), 85 % (E85) ou tout autre mélange d'alcool supérieur à 10 % (E10) ne sont pas couverts par la garantie. Pour éviter les dommages au moteur causés par un mélange d'alcool trop élevé, utilisez de l'essence à 10 % (E10) d'alcool au maximum.



AVIS

ADDITIFS D'ESSENCE

L'utilisation d'additifs de nettoyage du circuit de carburant peut endommager le moteur et les circuits de carburant. Les dommages causés par l'utilisation d'additifs de nettoyage du circuit de carburant ne sont pas couverts par la garantie. Pour éviter d'endommager le moteur et le circuit de carburant, n'utilisez pas d'additifs de nettoyage du circuit de carburant.



AVIS

ENTREPOSAGE DE L'ESSENCE

Il est important afin d'empêcher les dépôts de gomme de se former dans les pièces essentielles du circuit d'alimentation, comme le carburateur, le filtre du carburant, le tuyau du carburant ou le réservoir durant l'entreposage. Les carburants mélangés à l'alcool (appelés gasohol, éthanol ou méthanol) attirent l'humidité ce qui entraîne la séparation et la formation d'acides durant l'entreposage. Le carburant acide et les dépôts de gomme peuvent endommager le circuit de carburant du moteur lorsqu'il est entreposé. Les dommages causés par l'utilisation de carburant ancien, éventé ou contaminé ne sont pas couverts par la garantie.



AVIS

NE PAS REMPLIR EXCESSIVEMENT LE RÉSERVOIR DE CARBURANT

Le remplissage excessif du réservoir de carburant peut endommager le réservoir à charbon actif (s'il est présent), produire une performance médiocre du moteur et annuler la garantie. Pour éviter ces dangers, ne pas remplir le réservoir de carburant au-dessus du niveau maximum.

1. Vérifiez le carburant avec le moteur arrêté et le laveur sous pression sur une surface plane.
2. Retirez le bouchon du réservoir de carburant, vérifiez le niveau de carburant, puis remplissez le réservoir de carburant si nécessaire. Pour l'emplacement du bouchon du réservoir de carburant, consultez la section EMPLACEMENT DES COMPOSANTS de ce guide.
3. N'utilisez pas d'essence datant de plus de 30 jours. N'utilisez que de l'essence ordinaire sans plomb propre et fraîche avec un indice d'octane minimum de 87. Ne mélangez pas d'huile avec de l'essence. Ne pas utiliser de l'essence qui contient plus de 10 % d'éthanol. E15, E20 et E85 ne sont PAS des carburants approuvés et ne doivent PAS être utilisés.
4. Ne pas remplir le réservoir de carburant au-dessus du niveau de carburant maximum, pour permettre un espace pour l'expansion du carburant. Pour connaître la capacité de carburant, consultez la section SPÉCIFICATIONS du manuel du moteur.
5. Remplacez le bouchon du réservoir de carburant. Ne faites jamais tourner le moteur sans le bouchon de carburant.

REMARQUE : L'utilisation d'un stabilisateur de carburant (vendu séparément) lors du stockage de l'essence peut aider à prévenir les problèmes liés au stockage d'essence mélangée à de l'éthanol et de l'alcool. Suivez toujours les instructions fournies par le fabricant du stabilisateur de carburant pour le mélanger et l'utiliser correctement.

DÉMARRAGE DU MOTEUR



AVERTISSEMENT:

LISTE DE CONTRÔLE DE FONCTIONNEMENT

Tenter de démarrer le moteur ou d'utiliser le laveur sous pression incorrectement peut endommager le moteur et/ou le laveur sous pression et provoquer des blessures graves ou la mort. Pour éviter ces risques, ne manquez pas de lire, comprendre et respecter les étapes décrites dans la section LISTE DE CONTRÔLE DE FONCTIONNEMENT du manuel de l'utilisateur avant de démarrer le moteur et de suivre toutes les recommandations pour l'utilisation correcte du laveur sous pression.



AVIS

DOMMAGES DE LA POMPE

Utiliser le laveur sous pression pendant plus de deux minutes sans tirer sur la gâchette du pistolet de pulvérisation surchauffe la pompe et peut éventuellement provoquer des dommages. La soupape de sûreté thermique s'ouvre et pulvérise l'eau pour contribuer à refroidir la pompe quand elle surchauffe. Ne modifiez jamais la soupape de décharge thermique. Pour éviter de surchauffer la pompe, arrêtez le moteur si elle reste inutilisée pendant plus de deux minutes.

Démarrage du moteur

1. Effectuez les étapes de la section LISTE DE CONTRÔLE DE FONCTIONNEMENT de ce manuel avant de démarrer le moteur. Ne pas le faire pourrait endommager la pompe ou le moteur. Si nécessaire, reportez-vous au manuel du propriétaire du moteur pour obtenir des instructions de démarrage spécifiques.

La source d'eau doit être connectée, allumée, tout air purgé du système et le verrou de la gâchette placé en position verrouillée.

2. Faites glisser la vanne de carburant sur la position ON (si l'appareil en est équipé).



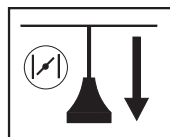
3. Faites glisser le régulateur en position COURIR (si l'appareil en est équipé).



4. Si le véhicule est équipé, placez le starter sur CHOKE (fermé) pour démarrer un moteur FROID. Placez le starter sur RUN (ouvert) pour démarrer un moteur CHAUD.



OU

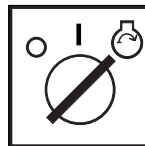


FERMÉ



NOTE: La position de départ du starter varie en fonction de la température du moteur. Si vous démarrez un moteur froid, déplacez le levier du starter vers la position FERMÉ. Si vous démarrez un moteur chaud, déplacez le levier du starter vers la position OUVERT.

5A. (**Démarrage électrique**) Tournez la clé au-delà de la position MARCHE jusqu'à la position DÉMARRAGE et maintenez-la enfoncée jusqu'à ce que le moteur démarre. Si le moteur ne démarre pas au bout de 5 secondes, relâchez la clé et laissez le démarreur refroidir pendant 1 minute avant d'essayer de redémarrer le moteur. Laissez la clé revenir en position MARCHE une fois le moteur démarré.



AVERTISSEMENT:

DOMMAGES CAUSÉS PAR LA PULVÉRISATION

Laisser le démarreur tourner constamment endommagera le démarreur ! Si le moteur ne démarre pas après deux tentatives, reportez-vous à la section DÉPANNAGE pour obtenir de l'aide.

5B. (**Démarrage manuel**) Tournez l'interrupteur du moteur sur la position ON. Si le moteur est équipé d'un démarreur, tirez lentement sur le lanceur jusqu'à ce qu'une résistance se fasse sentir, puis tirez rapidement pour démarrer le moteur. Ne laissez pas la poignée du démarreur revenir brusquement en arrière. Remettez-la doucement en place à la main.



REMARQUE : Si le moteur ne démarre pas après deux tractions, appuyez sur la gâchette du pistolet pour relâcher la pression stockée. Ensuite, essayez à nouveau de démarrer le moteur.



AVERTISSEMENT:

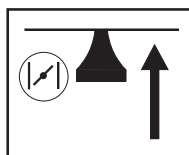
RÉTRACTION RAPIDE

Le rétraction rapide (également appelée recul) du cordon de démarrage à enrouleur du moteur tire votre main et votre bras vers le moteur plus rapidement que vous ne pouvez lâcher la poignée, provoquant des foulures, fractures, lacérations et/ou amputations traumatiques. Le recul est souvent dû à une défaillance interne du moteur et/ou à des techniques de démarrage inappropriées. Pour éviter le recul, respectez le calendrier d'entretien approprié, les instructions de démarrage et faites effectuer les réparations par un centre de service agréé.

6. Une fois le moteur démarré, déplacez lentement le levier du starter (si équipé) vers la position RUN (ouvert) pendant que le moteur tourne. Si le moteur hésite, déplacez le starter vers la position CHOKE (fermé) jusqu'à ce que le moteur soit chaud.



OU



OUVERT

7. Laissez le moteur chauffer pendant 1 à 2 minutes avant d'utiliser le produit, en appuyant de temps en temps sur la gâchette du pistolet pulvérisateur pour permettre à l'eau de s'écouler à travers la pompe et éviter une surchauffe et un endommagement de la pompe.

REMARQUE : Verrouillez toujours la gâchette lorsque le pistolet pulvérisateur n'est pas utilisé pour éviter tout fonctionnement accidentel. Ne fixez jamais la gâchette de manière permanente en position de retrait (ouverte).

ARRÊT DU MOTEUR



AVIS

DOMMAGES DE LA POMPE

Couper l'arrivée d'eau à votre pompe alors que le moteur fonctionne endommage la pompe. Les dommages causés par le fonctionnement de la pompe sans eau ne sont pas couverts par la garantie. Pour éviter ce risque, arrêtez toujours le moteur avant de couper l'arrivée d'eau.

1. Régler le verrouillage de la gâchette sur le pistolet pulvérisateur.
2. Faites glisser l'accélérateur jusqu'à la position LENT (le cas échéant).
3. Tourner le commutateur du moteur en position D'ARRÊT.
4. Faites glisser le robinet de carburant sur la position OFF (le cas échéant).
5. Couper l'alimentation en eau.
6. Relâchez le verrou de la gâchette, puis appuyez sur la gâchette du pistolet pulvérisateur pour relâcher la pression dans le tuyau et la pompe.
7. Laissez le moteur refroidir complètement avant de le manipuler et de le ranger.

CONSEILS D'UTILISATION

Termes

- PSI : Les livres par pouce carré (PSI) sont l'unité de mesure de la pression de l'eau. Dans le cas d'un laveur sous pression, plus le nombre de PSI est élevé, plus la pression et la puissance de décapage produites sont importantes.
- GPM : Les gallons par minute (GPM) représentent le débit d'eau. Dans le cas d'un laveur sous pression, plus le nombre de gallons par minute est élevé, plus le débit ou la puissance de rinçage est important.
- CU : Les unités de nettoyage expriment l'efficacité du nettoyeur haute pression. Les unités de nettoyage sont calculées en multipliant le PSI par le GPM. Plus l'unité de nettoyage est élevée, plus le laveur sous pression est efficace.

Préparation

- Lisez tous les avertissements et toutes les instructions de ce guide et de tous les autres guides fournis avec le laveur sous pression.
- Retirez tous les jouets, vélos, meubles de jardin, etc. de la zone de travail s'ils ne doivent pas être nettoyés.
- Balayez la saleté et les débris de la surface que vous allez laver sous pression.
- Couvrez les plantes à proximité pour éviter de les endommager avec le jet de laveur sous pression.
- Prenez des précautions lorsque vous pulvérisez les fenêtres. Utilisez toujours la buse blanche de 40° et restez à une distance d'au moins 4 pieds (1,2 mètres).
- Posez des bâches pour récupérer les éclats de peinture et autres débris qui sont emportés par le jet. Les peintures extérieures utilisées avant 1977 peuvent contenir du plomb et produire des copeaux qui devront être collectés et éliminés dans une installation de traitement des déchets dangereux.

- Pour minimiser l'infiltration d'eau dans le moteur du nettoyeur haute pression, placez le nettoyeur haute pression aussi loin que possible du site de nettoyage pendant le fonctionnement.

Lavage sous pression

- Une pulvérisation plus large permet de nettoyer plus rapidement, alors qu'une pulvérisation plus étroite permet un nettoyage plus en profondeur.
- Tenez la buse à environ 4 pieds (1,2 mètres) du revêtement pour éviter les dommages.
- Commencez à laver les revêtements du bas vers le haut, puis rincez du haut vers le bas.
- Évitez d'envoyer de l'eau derrière le revêtement.
- Utilisez des touches qui se chevauchent pour un nettoyage uniforme.
- Travaillez par petites surfaces pour éviter que le savon ne sèche.
- Ne dirigez pas la buse directement vers une surface. Tenez la lance selon un angle de 45°degrés par rapport à la surface à une distance qui permet de bien nettoyer sans endommager.

Réglage de la pression de surface

- Éloignez-vous de la surface à nettoyer. Plus vous positionnez la buse loin de la surface à nettoyer, plus la pression pour atteindre la surface est faible.
- Passez à la buse blanche de 40°. Cette buse produit une pression plus faible et un jet plus large.

Réglage du bouton de commande manuelle du déchargeur pour ajuster la pression (le cas échéant)



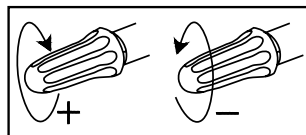
AVERTISSEMENT:

HAUTE PRESSION

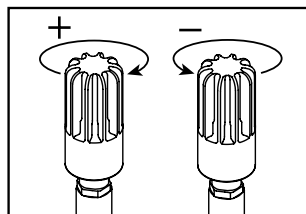
Ne retirez pas le bouton de commande manuelle du déchargeur. Ne serrez pas excessivement le bouton de commande manuelle du déchargeur. Un serrage excessif de la molette au-delà de la butée intégrée peut entraîner des blessures graves, la rupture de la molette et/ou des réparations coûteuses. N'essayez pas d'augmenter la pression au-delà de la pression pré réglée en usine.

La pression la plus élevée est pré réglée en usine afin d'obtenir une pression optimale pour le nettoyage. Si vous avez besoin de réduire la pression, votre appareil peut être équipé d'un bouton de commande manuelle de déchargement qui vous permet de régler la pression. Le style du bouton de commande manuelle du déchargeur peut différer de l'image ci-dessous.

- Si l'appareil est équipé d'une manette de déchargement, abaissez la pression en tournant la manette de déchargement dans le sens inverse des aiguilles d'une montre jusqu'à la pression souhaitée.



- Tournez la manette de déchargement dans le sens des aiguilles d'une montre jusqu'à ce qu'elle s'arrête pour revenir au réglage de pression le plus élevé pré réglé en usine.



DÉPANNAGE

PROBLÈME	CAUSE POSSIBLE	SOLUTION
<p>Le moteur ne démarre pas.</p> <p>Consultez le guide du moteur pour plus d'informations sur le dépannage du moteur.</p>	Le réservoir de carburant est vide.	Ajoutez du carburant frais.
	La pression d'eau dans la pompe empêche le moteur de tourner.	Orientez le pistolet de pulvérisation dans une direction sécuritaire et appuyez ensuite sur la gâchette pour libérer la pression d'eau dans la pompe.
	Le volet de départ du moteur est dans la mauvaise position.	Consultez la section DÉMARRAGE DU MOTEUR de ce guide pour connaître la position correcte du volet de départ.
	Le câble de la bougie d'allumage n'est pas fixé à la bougie.	Branchez le câble de la bougie.
	L'interrupteur du moteur est en position OFF.	Gire el interruptor del motor a la posición ON.
	La vanne de carburant du moteur est fermée.	Ouvrez la vanne de carburant.
	Le niveau d'huile du moteur est bas. Si le moteur est équipé d'un capteur de niveau d'huile bas, le moteur ne démarre pas.	Vérifiez le niveau d'huile du moteur. Remplissez selon le guide du moteur.
<p>La pression du jet d'eau du laveur sous pression est faible ou nulle.</p>	De l'air est piégé dans la pompe et/ ou les tuyaux.	Consultez la section PURGE DE LA POMPE de ce guide pour éliminer l'air de la pompe et des tuyaux.
	La source d'eau est insuffisante.	Assurez-vous que la source d'eau peut fournir au moins le GPM nominal du nettoyeur haute pression à 20 PSI.
	La buse est bouchée.	Nettoyez la buse conformément à la section ENTRETIEN de ce guide.
	La grille d'entrée d'eau est bouchée.	Nettoyez la grille d'entrée d'eau conformément à la section ENTRETIEN de ce guide.
	Le tuyau haute pression est trop long.	Le tuyau haute pression doit faire moins de 100 pieds (30 mètres) de long.
	Le volet de départ du moteur est dans la position CHOKE.	Mettez le volet de départ du moteur en position RUN.
Le détergent n'est pas aspiré.	Joint d'étanchéité ou garniture usés.	Contactez le service à la clientèle au 1-833-362-7368 ou à cservice@fna-group.com .

PROBLÈME	CAUSE POSSIBLE	SOLUTION
Le détergent n'est pas aspiré (suite)	La lance d'arrosage n'est pas en basse pression.	Insérez la buse noire pour savon.
	Le filtre à détergent est obstrué.	Nettoyez le filtre.
	Le filtre à détergent n'est pas immergé dans le détergent.	Assurez-vous que l'extrémité du filtre du tuyau de siphonage du détergent est entièrement immergée dans le détergent.
	Le détergent est trop épais.	Diluez le détergent. Le détergent doit avoir la même consistance que l'eau.
	Le tuyau haute pression est trop long.	Allongez le tuyau d'alimentation en eau et raccourcissez le tuyau haute pression.
	Le détergent est séché à l'intérieur de l'injecteur de détergent.	Contactez le service à la clientèle au 1-833-362-7368 ou à cservice@fna-group.com .
Fuite d'eau à la pompe.	Raccords desserrés.	Serrez les raccords.
	Joint torique usé ou déchiré.	Vérifiez et remplacez.
	Garniture de piston usée.	Contactez le service à la clientèle au 1-833-362-7368 ou à cservice@fna-group.com .
	Tête de pompe ou tubes endommagés par le gel.	Contactez le service à la clientèle au 1-833-362-7368 ou à cservice@fna-group.com .
La pompe ou la buse émet des pulsations.	Buse obstruée.	Nettoyez la buse conformément à la section ENTRETIEN de ce guide.
Fuite d'huile au niveau de la pompe.	Bouchon de vidange desserré.	Serrez-le.
	Joint torique du bouchon de vidange usé.	Vérifiez et remplacez.
	L'huile de la pompe est trop remplie.	Vérifiez que la quantité est correcte.
	Mauvaise huile utilisée/remplie.	Vidangez et remplissez avec le type et la quantité d'huile corrects.
	Le bouchon d'évent est obstrué.	Nettoyez le bouchon de l'évent; soufflez de l'air par l'évent pour éliminer les obstructions. Si le problème persiste, remplacez le bouchon.
	Joints d'huile usés.	Contactez le service à la clientèle au 1-833-362-7368 ou à cservice@fna-group.com .
Fuite d'eau au niveau du raccord pistolet/lance de pulvérisation	Joint torique usé ou brisé.	Vérifier et remplacer.
	Raccord de tuyau lâche.	Serrer.

Pour obtenir une aide supplémentaire ou pour trouver votre centre de service agréé local, appelez le **1-833-362-7368** ou envoyez un e-mail à cservice@fna-group.com.

ENTRETIEN

Pour des raisons de sécurité, le fabricant recommande que tous les entretiens et réparations du laveur sous pression soient effectués par un centre de service agréé. Tous les remplacements ou réparations sous garantie doivent être effectués par un centre de distribution ou de service agréé. Pour trouver un centre de service autorisé près de chez vous, faire une demande de garantie ou obtenir une réparation sous garantie autorisée, appelez le 1-833-362-7368 ou envoyez un courriel à cservice@fna-group.com.

Il est de la responsabilité du propriétaire et/ou de l'utilisateur de faire effectuer tous les entretiens prévus avant d'utiliser le laveur sous pression. Veuillez à suivre les recommandations d'inspection et d'entretien figurant dans tous les guides fournis avec cet appareil.

Entretien

Avant chaque utilisation, vérifiez que le laveur sous pression ne présente pas de fuites, de pièces lâches ou endommagées, et toute autre anomalie qui pourrait nuire à son bon fonctionnement. Assurez-vous que toutes les protections de sécurité sont en place et en bon état de fonctionnement. Inspectez tous les événements d'air et les fentes de refroidissement pour vous assurer qu'ils sont propres et non obstrués. Réparez ou remplacez immédiatement toutes les pièces endommagées ou défectueuses par des pièces autorisées. Pour des raisons de sécurité, le fabricant recommande que tous les entretiens et réparations du laveur sous pression soient effectués par un centre de service agréé. N'essayez jamais de réparer un tuyau haute pression.



AVERTISSEMENT:

RISQUE DE BRÛLURES

Lors de l'entretien, vous pouvez être exposé à des surfaces chaudes, à la pression de l'eau ou à des pièces mobiles susceptibles de provoquer des blessures graves, voire mortelles.



AVERTISSEMENT:

RISQUE D'INCENDIE

Débranchez toujours le fil de la bougie, laissez refroidir le moteur et relâchez la pression de l'eau avant d'effectuer tout entretien ou toute réparation. Des blessures peuvent survenir si la pression du système n'est pas réduite avant de procéder à l'entretien ou au démontage. Le moteur contient du carburant inflammable. Ne fumez pas et ne travaillez pas à proximité d'une flamme nue pendant l'entretien.



AVERTISSEMENT:

BLESSURES LIÉES À DES MODIFICATIONS

Ne modifiez jamais le produit ou l'une de ses parties. Des dommages ou des blessures pourraient en résulter.

Nettoyage du laveur sous pression

Nettoyez toujours le laveur sous pression lorsque le moteur est arrêté et froid. Pour nettoyer le laveur sous pression, utilisez d'abord un compresseur d'air réglé à 25 PSI maximum pour enlever la saleté et les débris des surfaces, des événements et des fentes de refroidissement du laveur sous pression. Ensuite, nettoyez l'extérieur avec un chiffon humide.



AVIS

NETTOYAGE

L'eau peut endommager les composants du moteur du laveur sous pression si elle pénètre par les fentes de refroidissement ou d'autres orifices. Les dommages causés par la pénétration d'eau ne sont pas couverts par la garantie. Pour éviter les dommages causés par l'eau, n'utilisez pas un laveur sous pression, un boyau de jardin ou toute autre source d'eau courante pour nettoyer le moteur du laveur sous pression et ne l'immergez jamais dans un liquide quelconque.



AVIS

PRODUITS DE NETTOYAGE CHIMIQUES

L'utilisation de produits de nettoyage chimique et/ou de liquides corrosifs peut endommager les joints du laveur sous pression et ses composants internes. Les dommages causés par les nettoyants chimiques et les liquides corrosifs ne sont pas couverts par la garantie. Pour éviter ces risques, n'utilisez que des produits de nettoyage, jamais d'eau de Javel et faites toujours passer de l'eau propre dans le laveur sous pression après avoir utilisé des produits chimiques de nettoyage.

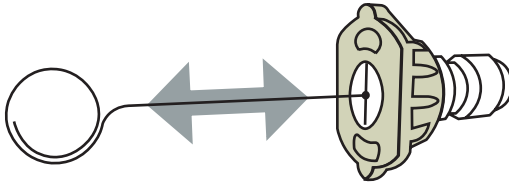
Raccords

Les raccords du tuyau, du pistolet et de la pompe doivent être nettoyés et lubrifiés régulièrement avec une fine pellicule de graisse au lithium pour éviter d'endommager les joints toriques et de provoquer des fuites.

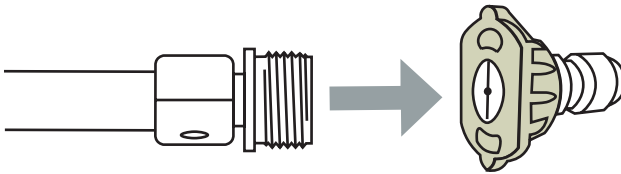
Nettoyage des buses

Si une buse est obstruée, la pompe peut émettre des pulsations et la forme du jet peut changer. Si la buse n'est pas nettoyée, une pression excessive peut se développer et endommager la pompe ou d'autres accessoires. Inspectez les buses avant de les utiliser et suivez les instructions de cette section pour la procédure appropriée de nettoyage des buses.

1. Arrêtez le laveur sous pression.
2. Coupez l'alimentation en eau.
3. Orientez le pistolet de pulvérisation dans une direction sécuritaire et appuyez sur la gâchette pour relâcher la pression de l'eau.
4. Réglez le verrou de la gâchette.
5. Retirez la buse du raccord rapide de la lance.
6. Dégagez toute obstruction de la buse en insérant l'outil de nettoyage de la buse fourni.



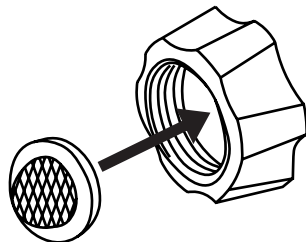
-
7. Rincez tous les débris détachés de la buse en orientant un tuyau d'arrosage en marche vers la sortie de la buse pendant au moins 30 secondes.



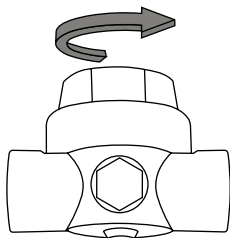
Filter d'entrée d'eau

Avant chaque utilisation, vérifiez le filtre d'entrée du tamis et nettoyez-le en suivant les étapes ci-dessous. N'utilisez jamais le nettoyeur haute pression sans que le filtre d'entrée à tamis soit correctement installé.

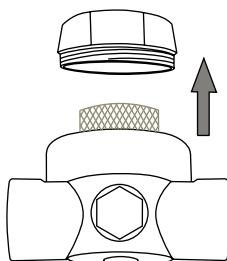
1. Retirez le filtre du coupleur du tuyau d'arrosage.
2. Utilisez l'eau d'un tuyau d'arrosage en marche pour nettoyer les deux côtés du filtre.
3. Insérez le filtre nettoyé dans l'entrée de la pompe avec le côté convexe tourné vers l'extérieur.



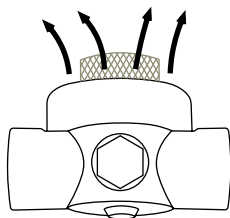
Le filtre à capuchon bleu doit être vérifié périodiquement pour déterminer si un nettoyage est nécessaire.



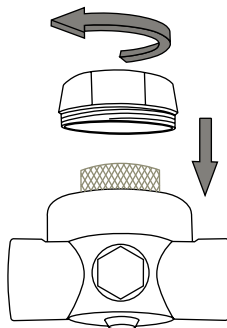
1. L'alimentation en eau étant coupée, dévisser le couvercle du boîtier sur le dessus du filtre à eau.



2. Retirez tous les débris autour du tamis, à l'intérieur du boîtier et du couvercle.



3. Une fois le tuyau d'arrosage branché, ouvrez l'eau pendant quelques secondes pour éliminer les débris qui pourraient être retenus dans le boîtier.

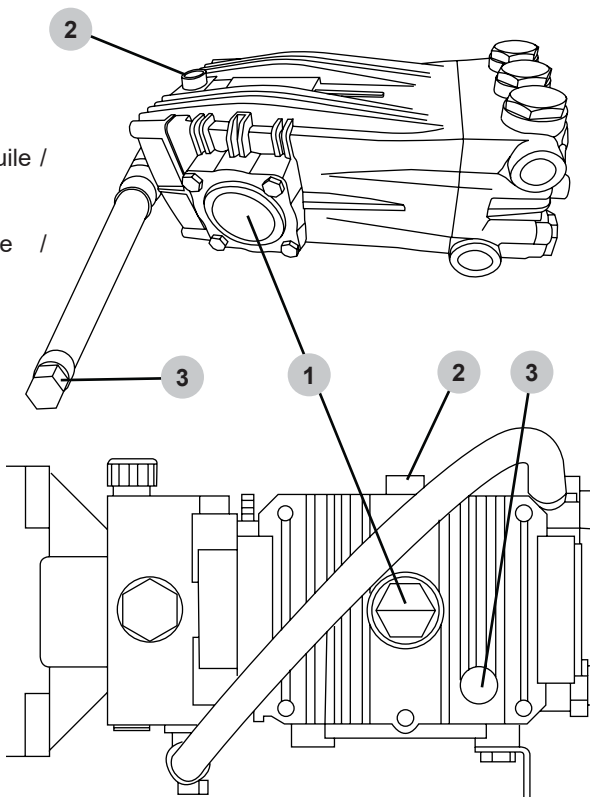


4. Visser le couvercle du boîtier dans la partie supérieure du boîtier du filtre à eau ; serrer à la main.

Entretien de la pompe

Remarque : La pompe a été remplie d'huile en usine. Consultez le fabricant de votre pompe pour connaître les intervalles recommandés en matière d'huile et de vidange d'huile.

1. Regard d'huile
2. Bouchon de remplissage d'huile / bouchon de ventilation
3. Tuyau de vidange d'huile / Bouchon de vidange d'huile



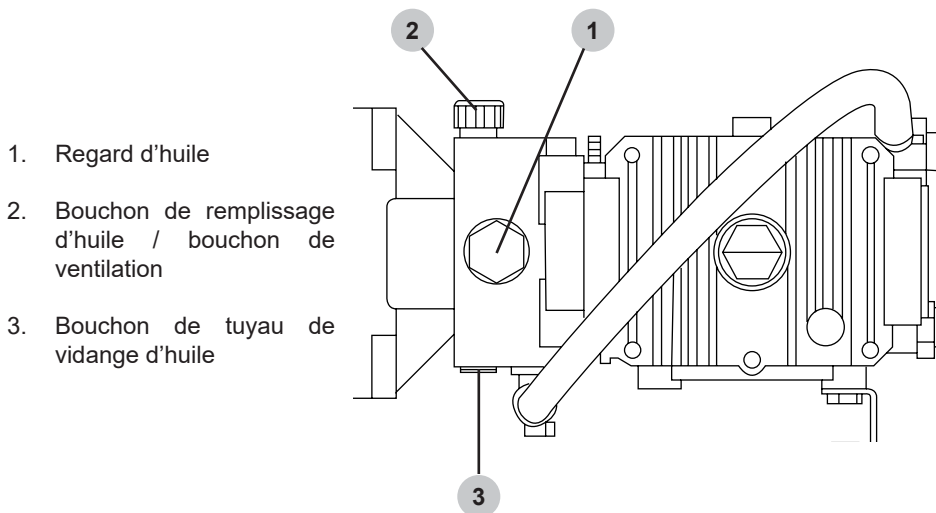
Comment changer l'huile de la pompe

1. Desserrer le bouchon de remplissage d'huile/le bouchon de ventilation de la pompe.
2. Placez un récipient sous le bouchon du tuyau de vidange d'huile.
3. Retirer le bouchon du tuyau de vidange d'huile.
4. Une fois l'huile vidangée, insérez le bouchon du tuyau de vidange d'huile ; serrez fermement.
5. Consultez le fabricant de votre pompe pour connaître l'huile recommandée.
6. Remplissez en vous assurant que le niveau d'huile approprié est atteint sur le voyant, ou le niveau maximum marqué sur la jauge, comme recommandé par le fabricant de la pompe.
7. Insérez le bouchon de remplissage d'huile / bouchon de ventilation et serrez-le fermement.

*Les illustrations sont fournies à titre indicatif uniquement et peuvent ne pas représenter votre modèle spécifique.

Entretien de la boîte de vitesses de la pompe (si équipée)

Remarque : le boîtier de la pompe a été rempli d'huile en usine. L'huile recommandée est une huile SAE 75W-90 entièrement synthétique. Changez l'huile après les 50 premières heures de fonctionnement, puis toutes les 1 000 heures ou une fois par an.



Comment changer l'huile de la boîte de vitesses de la pompe

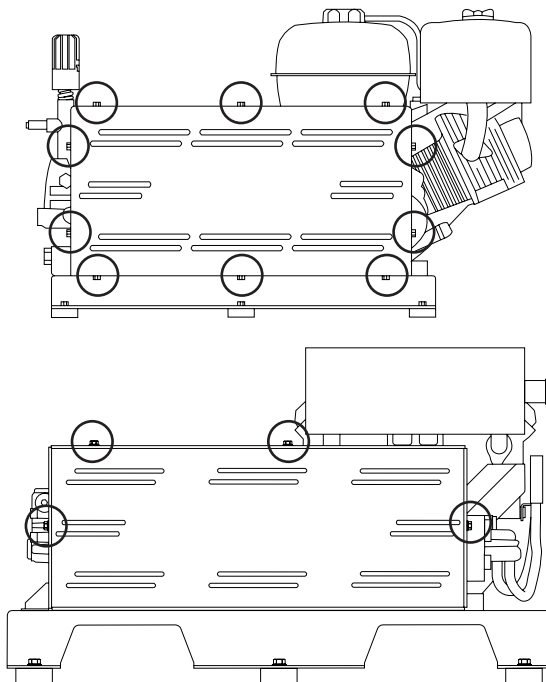
1. Desserrez le bouchon de remplissage d'huile/bouchon d'aération de la boîte de vitesses.
2. Placez un récipient sous le bouchon du tuyau de vidange d'huile.
3. Retirez le bouchon du tuyau de vidange d'huile.
4. Une fois l'huile vidangée, insérez le bouchon du tuyau de vidange d'huile ; serrez fermement.
5. Remplissez avec une huile entièrement synthétique SAE 75W-90.
6. Assurez-vous que le niveau d'huile atteint mais ne dépasse pas le point au centre du voyant.
7. Insérez le bouchon de remplissage d'huile ; serrez fermement.

Entretien de la courroie (s'il y a lieu)

Le maintien d'une tension appropriée sur les courroies prolonge la durée de vie des courroies tout en garantissant le respect des paramètres de fonctionnement appropriés. Le moyen le plus simple de déterminer la tension consiste à mesurer le degré de déflexion des courroies.

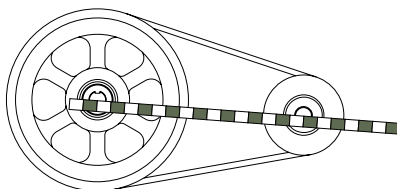
Dépose du protège-courroie

1. Débrancher les câbles de bougie d'allumage des bougies d'allumage. Laissez-les pendre loin des bougies d'allumage.
2. À l'aide d'un tournevis à écrou de 3/8 po, desserrez puis retirez les boulons de fixation situés en haut, en bas et/ou sur les côtés du protège-courroie extérieur. Retirez le protège-courroie extérieur du cadre et placez-le de côté.

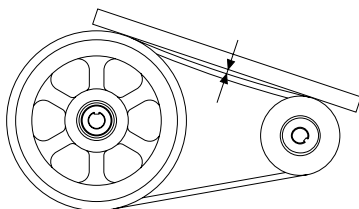


Mesurer la déflexion de la courroie

3. À l'aide d'un ruban à mesurer ou d'une règle de triage, mesurez du centre de l'arbre du moteur au centre de l'arbre de la pompe. Multipliez cette mesure par 1/64. Par exemple, une mesure de 12" multipliée par 1/64 équivaut à 0,1875" (3/16"). Cette mesure correspond à la déflexion maximale que vous devez mesurer dans les courroies.

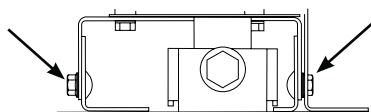


4. Placez une règle droite sur les ceintures. À l'aide de votre index, appuyez sur les courroies centrées entre les réas. Avec une règle, mesurez la distance entre le haut des ceintures et le bas de la règle. Si la mesure dépasse le calcul de l'étape 3, les ceintures doivent être tendues.

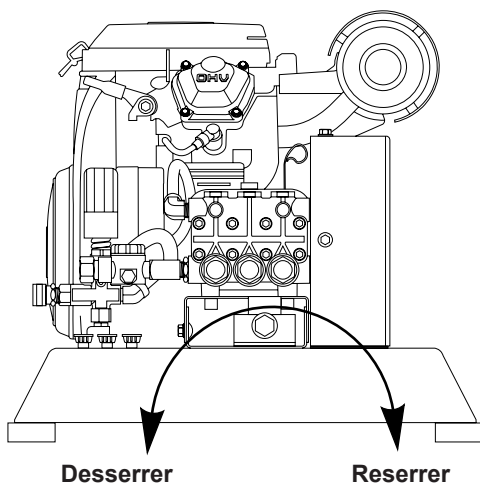


Réglage du tendeur de pompe

1. À l'aide d'une clé 9/16", desserrez les boulons de carrosserie de chaque côté du tendeur de la pompe. Ne retirez pas complètement les boulons de carrosserie.



2. À l'aide d'une clé de 15/16", tournez le boulon dans le sens des aiguilles d'une montre pour serrer la courroie. Si la courroie doit être desserrée, tournez le boulon dans le sens inverse des aiguilles d'une montre.



3. Une fois que la tension appropriée de la courroie a été obtenue, serrez les boulons de carrosserie sur le tendeur de la pompe à l'aide d'une clé de 9/16".

4. Faites glisser le protège-courroie en place. Visser les boulons de montage puis serrez avec un tourne-écrou de 3/8".

5. Rebrancher les fils de bougie.

Entretien du moteur

Avant chaque utilisation, vérifiez que le moteur ne comporte pas de pièces desserrées ou endommagées, de signes de fuites d'huile ou de carburant, et/ou toute autre anomalie qui pourrait affecter le bon fonctionnement. Gardez toujours tous les dispositifs de protection en place et en bon état de fonctionnement. Réparez ou remplacez immédiatement toutes les pièces endommagées ou défectueuses.

Pour des raisons de sécurité, le fabricant recommande que tous les entretiens et réparations du moteur (y compris les dispositifs et systèmes antipollution) soient effectués par un centre de service agréé. Tous les remplacements ou réparations sous garantie doivent être effectués par un centre de distribution ou de service agréé. Pour trouver un centre de service agréé près de chez vous, obtenir des renseignements sur la façon de faire une demande de garantie ou prendre des dispositions pour des réparations sous garantie autorisées, veuillez appeler le 1-833-362-7368 ou envoyer un courriel à cservice@fna-group.com.

Pour toute autre information sur l'entretien du moteur, consultez le guide du moteur.

ENTREPOSAGE ET TRANSPORT

Entreposage pendant deux mois ou moins

1. Remplissez le réservoir de carburant conformément à la section LISTE DE CONTRÔLE DE FONCTIONNEMENT de ce guide, puis ajoutez un stabilisateur de carburant conformément aux recommandations du fabricant. **REMARQUE** : L'utilisation d'un stabilisateur de carburant (vendu séparément) lors de l'entreposage de l'essence peut aider à prévenir les problèmes liés aux carburants mélangés à de l'alcool dans les moteurs d'équipement motorisé d'extérieur. Suivez toujours les instructions fournies par le fabricant du stabilisateur de carburant pour le mélanger et l'utiliser correctement.
2. Effectuez les étapes des sections LISTE DE CONTRÔLE DE FONCTIONNEMENT, RACCORDEMENT DES TUYAUX et AMORÇAGE DE LA POMPE de ce guide.
3. Démarrez le moteur conformément à la section DÉMARRAGE de ce guide et faites-le tourner pendant dix (10) minutes pour permettre au carburant stabilisé de circuler dans tout le système d'alimentation. Veillez à appuyer sur la gâchette pour que l'eau continue de circuler dans la pompe et le pistolet de pulvérisation afin d'éviter toute surchauffe.
4. Mettez l'interrupteur du moteur sur la position D'ARRÊT.
5. Fermez l'alimentation en eau. Retirez le tuyau d'alimentation en eau.
6. Appuyez sur la gâchette du pistolet de pulvérisation pour relâcher la pression dans le tuyau et la pompe, puis vidangez le tuyau haute pression. Débranchez le tuyau haute pression de la pompe et du pistolet de pulvérisation.
7. Laissez le moteur refroidir complètement.
8. Protégez la pompe en utilisant la protection de pompe SIMPSON® conformément à la section UTILISATION DE LA PROTECTION DE POMPE du présent guide.
9. Entreposez le laveur sous pression dans un endroit propre et sec, à l'abri de la lumière directe du soleil.

Entreposage pendant plus de deux mois

1. Assurez-vous que le moteur est complètement froid.
2. Retirez tout le carburant du réservoir, des conduites de carburant et du carburateur en desserrant la vis de vidange située au bas du carburateur et en vidant le carburant dans un conteneur approprié.
3. Changez l'huile moteur.
4. Enlevez la saleté et les débris de la zone autour de la bougie d'allumage, puis utilisez une douille ou une clé à bougie pour retirer la bougie d'allumage.
5. Versez 0,5 once (15 ml) d'huile neuve dans la chambre de combustion du moteur, puis faites tourner le moteur lentement en tirant sur le recul deux (2) fois pour répartir l'huile et lubrifier le cylindre.
6. Installez la bougie d'allumage.
7. Débranchez le câble noir négatif (-) de la batterie (si équipé).
8. Débranchez le câble rouge positif (+) de la batterie (si équipé).
9. Vidangez le tuyau haute pression.
10. L'utilisation de SIMPSON Pump Guard ou d'un équivalent est recommandée lors de l'entreposage de la machine pendant plus de 30 jours et/ou lorsque des températures glaciales sont prévues.
11. Entreposez le laveur sous pression dans un endroit propre et sec, à l'abri de la lumière directe du soleil.

Transport



AVERTISSEMENT:

TRANSPORT

Le fait de laisser le laveur sous pression dans un espace clos où les températures peuvent augmenter sur un véhicule de transport peut provoquer la vaporisation du carburant et éventuellement son explosion. Un incendie et des explosions peuvent causer des brûlures graves et/ou la mort. Pour éviter les fuites ou la vaporisation de carburant, sécurisez le laveur sous pression dans une zone bien aérée, à l'abri du soleil et autres sources de chaleur et ne le transportez pas sur des routes irrégulières si le carburant n'a pas été vidangé au préalable.

1. Mettez l'interrupteur de commande du moteur sur la position ARRÊT.
2. Faites glisser le robinet de carburant sur la position OFF (si équipé).
3. Lorsqu'il est chargé sur un véhicule, fixez le nettoyeur haute pression avec des sangles ou des attaches pour éviter tout renversement et tout dommage dû au glissement.
4. Assurez-vous que le système de confinement de carburant est sécurisé et ne peut pas bouger.

UTILISATION DE LA PROTECTION DE POMPE SIMPSON®



AVIS

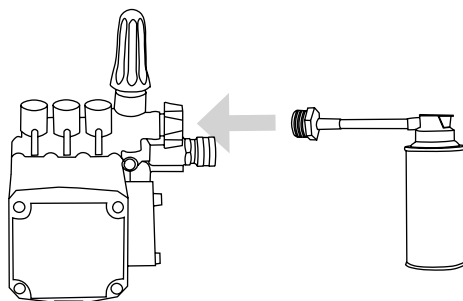
DOMMAGES DE LA POMPE

Laisser de l'eau à l'intérieur de la pompe par temps de gel causera des dommages divisibles à la pompe. Pour éviter des dommages coûteux, traitez toujours la pompe avec la protection de pompe SIMPSON® afin d'éliminer l'eau piégée et de remplir la pompe d'une solution lubrifiante et antigel.

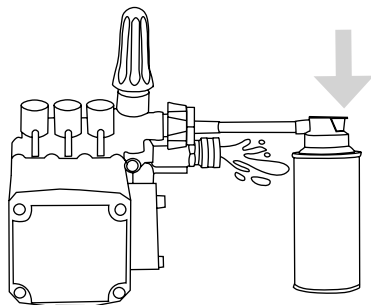
La protection de pompe SIMPSON® (vendue séparément) est formulée pour protéger votre pompe pendant l'entreposage à long terme et contre les dommages causés par le gel. La protection de pompe doit être utilisée tout au long de la saison pour que les joints restent souples et bien lubrifiés. Avant d'entreposer l'appareil pour l'hiver ou lorsqu'il y a un risque de gel, utilisez la protection de pompe pour éliminer toute trace d'eau des cavités internes tout en les remplissant d'une solution antigel. La protection de pompe est une assurance pour votre investissement, utilisez-la.

Utilisez simplement la protection de pompe en suivant les étapes suivantes :

1. Vissez l'adaptateur de la protection de pompe dans l'entrée du tuyau d'arrosage de la pompe.



2. Appuyez sur le bouton et maintenez-le enfoncé jusqu'à ce que toute l'eau et la protection de pompe commencent à sortir de l'orifice haute pression.



3. Dévissez la protection de pompe et préparez le laveur sous pression pour l'entreposage comme indiqué dans la section ENTREPOSAGE ET TRANSPORT.

GARANTIE COMMERCIALE LIMITÉE

CONDITIONS DE LA COUVERTURE DE GARANTIE :

Le fabricant de ce produit accepte de réparer ou de remplacer les pièces désignées qui s'avèrent défectueuses pendant la période de garantie indiquée ci-dessous, à sa seule discrétion. Des limitations/extensions et exclusions particulières s'appliquent.

Cette garantie couvre le défaut de pièces et main d'œuvre mais exclut les pièces défectueuses en raison de l'usure normale, de la détérioration, de la mauvaise utilisation, de dommages accidentels, de négligence, utilisation incorrecte, entretien, qualité de l'eau ou de l'entreposage. Pour faire une réclamation selon les conditions de garantie, toutes les pièces supposées défectueuses doivent être conservées et disponibles pour retour sur demande à un centre de service sous garantie pour inspection. Les évaluations et décisions du fabricant concernant la validité des réclamations sous garanties sont définitives.

Ces garanties sont transmises à l'utilisateur final et ne sont pas transférables. En qualité de centre de service sous garantie agréé formé par le fabricant, ce dernier honorera les termes de garantie de tous les composants et satisfera les réclamations selon les dispositions des garanties appropriées.

Cette garantie remplace toute autre garantie, expresse ou implicite, notamment et sans limitation toutes les garanties de qualité marchande et d'adaptation à un usage particulier et toutes ces garanties sont déclinées par les présentes et exclues par le fabricant. L'obligation de garantie du fabricant est limitée à la réparation et au remplacement des produits défectueux comme exposé aux présentes et le fabricant décline toute responsabilité en cas d'autres pertes, dommages ou dépenses - y compris les dommages de transport, accidentels, dus à de mauvais traitements, catastrophes naturelles, mauvaise utilisation ou négligence. Les dommages suite à réparations utilisant des pièces approvisionnées auprès d'autres sources que le fabricant ou les modifications effectuées par du personnel autre que celui de l'usine sont également exclus. Faute d'installer et d'exploiter l'équipement conformément aux recommandations exposées dans le manuel d'utilisation, la garantie sera annulée.

LA PRÉSENTE GARANTIE NE COUVRE PAS :

Les dommages résultant du transport (les réclamations doivent être déposées auprès du transporteur), d'un accident, d'un abus, d'un cas de force majeure, d'une mauvaise utilisation ou d'une négligence. Cette garantie ne couvre pas non plus les dommages résultant de réparations ou modifications effectuées par du personnel autre que celui autorisé par l'usine ou le manquement à installer et exploiter l'équipement conformément aux recommandations exposées dans le manuel d'utilisation. Le fabricant décline toute responsabilité vis-à-vis des personnes en cas de dommage consécutif, d'accident corporel ou de perte commerciale.

RESPONSABILITÉ DE L'ACHETEUR D'ORIGINE (UTILISATEUR INITIAL) :

Pour le traitement d'une réclamation sous garantie pour votre laveuse sous pression SIMPSON®, signalez le problème au 1-833-362-7368 ou à cservice@fna-group.com pour obtenir l'autorisation et les directives concernant le centre de service le plus proche de votre zone. Conservez le reçu de caisse original comme preuve d'achat pour les travaux sous garantie. Prenez un soin raisonnable pour l'utilisation et l'entretien du produit, comme indiqué dans le(s) guide(s) du propriétaire.

LA GARANTIE NE COUVRE PAS :

- Dommages de transport
- Dommages dus à la détérioration chimique, à l'eau salée, à la rouille ou à la corrosion
- Dommages causés par des pièces ou accessoires obtenus d'une autre source qu'un concessionnaire agréé ou non approuvés par le fabricant
- Usure normale des pièces mobiles ou des composants affectés par les pièces mobiles
- Pièces consommables telles que : filtre à carburant, filtre à air, bougie(s) d'allumage, câble de démarreur manuel, huile et lubrifiant(s)
- Travaux d'entretien périodiques normaux tels que le nettoyage du carburateur et la vidange de l'huile moteur
- Dommages dus au gel

MOTEUR ET SYSTÈME DE CONTRÔLE DES ÉMISSIONS

Couvert par la garantie du fabricant du moteur. Voir le guide du moteur pour plus de détails.

POMPE HAUTE PRESSION (DÉFAUTS DE PIÈCES ET MAIN D'ŒUVRE)

CINQ (5) ans à partir de la date d'achat.

CADRE (DÉFAUTS DE PIÈCES ET MAIN D'ŒUVRE)

DIX (10) ans à partir de la date d'achat.

ACCESSOIRES (DÉFAUTS DE PIÈCES ET MAIN D'ŒUVRE)

Y compris les buses, les tuyaux, les pistolets de pulvérisation, les lances, les pneus et les pattes
Quatre-vingt-dix (90) jours à partir de la date d'achat.



LIRE ATTENTIVEMENT CE GUIDE AVANT L'UTILISATION

Le fait de ne pas suivre les instructions et les précautions de sécurité de ce guide peut entraîner des dommages matériels, des blessures graves et/ou la mort.

CONSERVEZ CE GUIDE POUR RÉFÉRENCE ULTÉRIEURE

Copyright © 2025 FNA-Group, Inc. Tous droits réservés

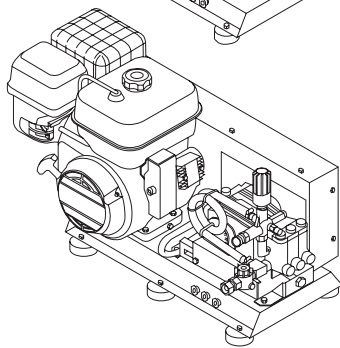
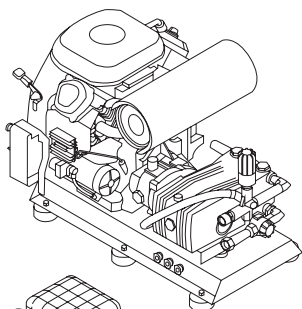
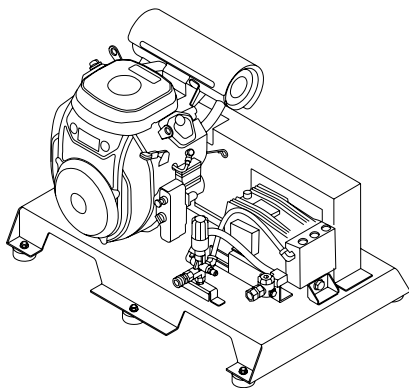


LAVADORA A PRESIÓN

MANUAL DE USO Y CUIDADO



**NO A LA VENTA EN EL
ESTADO DE CALIFORNIA**



**MIRA ANTES
DE BOMBEAR!**

— Porcentaje de etanol —

<10% **OK** **NO** 15%–30%–85%



LEA ESTE MANUAL DETENIDAMENTE ANTES DE LA OPERACIÓN

El incumplimiento de las instrucciones y precauciones de seguridad de este manual puede provocar daños a la propiedad, lesiones graves y/o la muerte.

Si su lavadora a presión no funciona o si faltan partes o están rotas, **NO LA DEVUELVA AL LUGAR DE COMPRA**. Comuníquese con nuestro Departamento de Servicio al Cliente llamando al **1-833-362-7368** o enviando un correo electrónico a **cservice@fna-group.com**

CONSERVE ESTE MANUAL PARA FUTURA REFERENCIA

NOTA: Las fotografías y los dibujos lineales utilizados en este manual son sólo para referencia y pueden no representar su modelo específico.

NOTAS

ESTA PÁGINA SE DEJÓ EN BLANCO INTENCIONALMENTE

CONSERVE ESTE MANUAL PARA USO FUTURO

Guarde este manual para consultarlo en el futuro. Este manual debe considerarse una parte permanente del producto y permanecer con él. Este manual debe estar disponible para cualquier persona que opere los productos que cubre. Este manual debe permanecer con los productos que cubre si se vende a un nuevo propietario. Si el manual se daña, se pierde o no se puede utilizar de otro modo, comuníquese con atención al cliente llamando al 1-833-362-7368 o enviando un correo electrónico a cservice@fna-group.com.

Anote el número de modelo, el número de serie y la fecha de compra de este producto en los espacios proporcionados a continuación y luego guarde este manual con los recibos de compra para referencia futura.

Número de
modelo: _____

Número de
serie: _____

Fecha de
compra: _____



ADVERTENCIA DE PROPUESTA 65 DE CALIFORNIA

Este producto y el escape del motor pueden exponerlo a sustancias químicas que en el estado de California se sabe que causan cáncer, defectos de nacimiento u otros daños reproductivos. Para obtener más información sobre la Propuesta 65 de California, visite www.P65Warnings.ca.gov.



ADVERTENCIA DE HIDROCARBUROS AROMÁTICOS POLICÍCLICOS

El elemento del filtro de aire y el ensamble de la caja de aire pueden contener hidrocarburos aromáticos policíclicos (HAP). Algunos HAP pueden causar cáncer. Para evitar la exposición a los HAP, use guantes cuando realice el mantenimiento del filtro de aire.

TABLA DE CONTENIDO

INSTRUCCIONES DE SEGURIDAD	4
Lea este manual antes de la operación	4
Instrucciones adicionales	4
Símbolos de alerta de peligro	4
RENUNCIAS DE RESPONSABILIDAD	6
EQUIPO DE PROTECCIÓN PERSONAL	6
DESEMPAQUE	6
ENSAMBLE	7
Agregar el kit de pies	7
Conexión a la fuente de batería	8
Conexión a la fuente de combustible	9
Almacenamiento de las boquillas	9
Cómo agregar la tapa del respiradero de la bomba	9
UBICACIÓN DE COMPONENTE	10
CONEXIÓN DE MANGUERAS	14
PURGA DE AIRE DE LA BOMBA	15
BOQUILLAS	16
Selección de boquillas	16
Instalación de boquillas	16
LISTA DE VERIFICACIÓN DE OPERACIÓN	17
Ubicación	17
Operación a gran altitud (Solo modelos que no son EFI)	18
Condiciones de operación	18
Verificación de aceite del motor	20
Revisión de combustible	22

ARRANQUE DEL MOTOR	24
APAGADO DEL MOTOR	26
CONSEJOS DE OPERACIÓN	26
Términos	26
Preparación	26
Lavado a presión	27
Ajuste de la presión de la superficie	27
Ajuste de la perilla de control manual del descargador para ajustar la presión	27
SOLUCIÓN DE PROBLEMAS	28
MANTENIMIENTO	30
Mantenimiento	30
Limpieza de lavadora a presión	31
Conexiones	31
Limpieza de boquillas	32
Filtro de entrada de agua	32
Mantenimiento de la bomba	34
Mantenimiento de la caja de cambios de la bomba	35
Mantenimiento de la correa	36
Mantenimiento del motor	38
ALMACENAMIENTO Y TRANSPORTE	38
Almacenamiento durante dos meses o menos	38
Almacenamiento durante más de dos meses	39
Transporte	39
USO DE PUMP GUARD SIMPSON®	40
GARANTÍA	41

INSTRUCCIONES DE SEGURIDAD



LEA ESTE MANUAL ANTES DE LA OPERACIÓN

Este manual contiene información e instrucciones de seguridad importantes. **No** opere este producto hasta que haya leído y entendido completamente todas las instrucciones de seguridad, operación y mantenimiento enumeradas en este manual. El incumplimiento de la información contenida en este manual resultará en daños a la propiedad, lesiones y/o muerte.

NOTA: Las advertencias y precauciones discutidas en este manual no pueden cubrir todas las condiciones y situaciones que puedan ocurrir. El operador debe comprender que la conciencia y la precaución son factores que no se pueden incorporar a este producto y, por lo tanto, deben ser ejercidos por el operador.



INSTRUCCIONES ADICIONALES

Junto con este manual, asegúrese de leer las instrucciones adicionales proporcionadas tanto en el producto como en el mismo, el equipo adjunto, los accesorios y el motor que alimenta el producto. Preste especial atención a todas las reglas e instrucciones de seguridad adicionales sobre los procedimientos adecuados de arranque, operación y apagado. Utilice siempre cualquier vestimenta protectora recomendada que pueda ser necesaria para operar el equipo de manera segura.



SÍMBOLOS DE ALERTA DE PELIGRO

Asegúrese de comprender los símbolos de seguridad y las definiciones que se enumeran a continuación. Cada símbolo contiene una de cuatro palabras: **PELIGRO**, **ADVERTENCIA**, **PRECAUCIÓN**, **AVISO**, que indican diferentes niveles de gravedad del peligro. Estos símbolos se utilizan en todo este manual y van seguidos de información sobre un peligro específico, las consecuencias del peligro e instrucciones sobre cómo evitarlo. No prestar atención a estos símbolos y seguir las instrucciones proporcionadas con ellos resultará en daños a la propiedad, lesiones y/o la muerte.



PELIGRO:

Indica una situación de peligro inminente que, si no se evita, provocará daños a la propiedad, lesiones graves y/o la muerte.



ADVERTENCIA:

Indica una situación potencialmente peligrosa que, si no se evita, podría provocar daños a la propiedad, lesiones graves y/o la muerte.



PRECAUCION:

Indica una situación peligrosa que, si no se evita, podría provocar daños a la propiedad y/o lesiones menores a moderadas.

AVISO

Indica información que se considera importante pero no está relacionada directamente con un peligro.



ADVERTENCIA: PRÁCTICAS INSEGURAS

No opere la unidad cuando esté fatigado o bajo la influencia de drogas y/o alcohol. Manténgase alerta en todo momento. No se estire ni se pare sobre una superficie inestable. No rocíe mientras se encuentra sobre una escalera. La fuerza reactiva del rocío hará que la pistola rociadora rebote y podría hacer que el operador se resbale o caiga o que dirija mal el rociador. El control inadecuado de la pistola rociadora puede provocar lesiones a sí mismo o a otras personas. Sujete la pistola rociadora firmemente con ambas manos. Es posible que la pistola rociadora rebote cuando se activa el gatillo. Nunca apunte la pistola rociadora hacia personas o animales ni rocíe con ella.

CAUTION



TRIPPING HAZARD

Hoses may pose a tripping hazard that can cause injuries resulting from a fall

PRECAUCION:

PELIGROS DE RESBALÓN / TROPIEZO

Cuando se lave a presión en áreas públicas, se deben colocar letreros que indiquen mantenerse alejado del área mientras se realiza el lavado a alta presión. Además, se deben colocar letreros que indiquen que la superficie puede estar resbaladiza y que puede haber riesgos de tropiezos.

Se debe prestar especial atención a la seguridad no solo del operador de la lavadora a presión, sino también de las personas que puedan estar junto al área que se está limpiando. La mejor manera de advertir a las personas desprevenidas es con señalización y barreras.

Las barreras pueden ser tan simples como conos de tráfico de plástico o barricadas para usar cinturones de barrera alrededor del área que se está limpiando. Recuerde, el lavado a presión puede desalojar el pavimento débil o roto convirtiéndolo en proyectiles que pueden lesionar a otros. Mantener a las personas alejadas del área es la mejor manera de evitar lesiones.

El pavimento mojado puede ser resbaladizo para las personas desprevenidas y causar lesiones por resbalones y caídas. Las mangueras de alta y baja presión pueden representar un riesgo de tropiezo. Segregar el área y colocar la señalización adecuada puede reducir las lesiones.

Ejemplos de signos



Ejemplos de barreras



AVISO

Este aparato no está diseñado para ser utilizado por personas con capacidades físicas, sensoriales o mentales reducidas o que carezcan de experiencia y conocimientos, a menos que una persona responsable de su seguridad las supervise o les dé instrucciones sobre el uso del aparato.

Se debe supervisar a los niños para asegurarse que no utilicen ni jueguen con el aparato.

RENUNCIAS DE RESPONSABILIDAD

- Toda la información de esta publicación se basó en la información de producto más reciente disponible en el momento de la impresión. FNA Group se reserva el derecho de actualizar, cambiar y/ mejorar el producto y este documento en cualquier momento, sin previo aviso y sin incurrir en ninguna obligación.
- Este manual puede cubrir más de una máquina. Las imágenes y figuras del manual deben usarse sólo como referencia. Puede haber diferencias entre su producto y las imágenes, dibujos y diagramas de este manual.

EQUIPO DE PROTECCIÓN PERSONAL(EPP)

Es importante comprender qué equipo de protección personal (EPP) se debe utilizar al usar su lavadora a presión. Los objetos livianos o no asegurados pueden convertirse en proyectiles peligrosos. A continuación se muestra una lista de artículos de EPP que deben utilizarse en todo momento cuando se usa la lavadora a presión.

Audición - Tapones para los oídos u orejeras para proteger su audición.

Visión - Anteojos de seguridad Z87.1 aprobados por ANSI para proteger sus ojos.

Ropa - Pantalones largos y una camisa de manga larga para proteger sus piernas y brazos de los escombros que salen volando.

Calzado - Zapatos con suela de hule que cubran completamente los pies para protegerlos de residuos, rociado excesivo y descargas eléctricas.

DESEMPAQUE

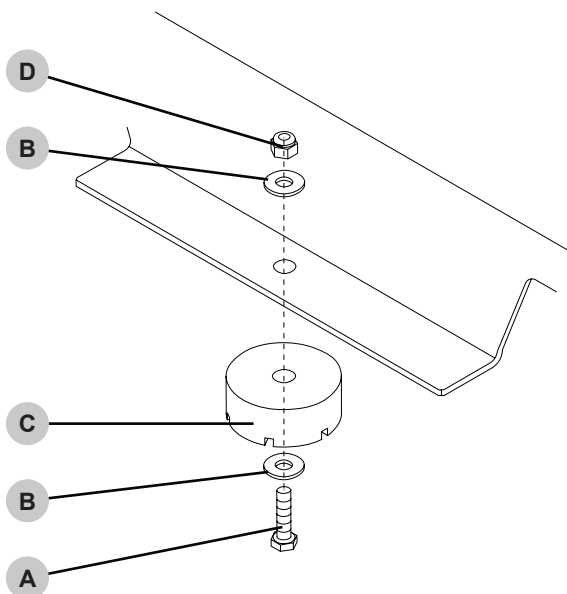
Siga los pasos descritos en esta sección para desempacar y ensamblar su lavadora a presión. Si tiene alguna pregunta sobre el desempaque o el ensamble de su lavadora a presión, tenga a mano su número de modelo y número de serie, y comuníquese con atención al cliente al 1-833-362-7368 o envíe un correo electrónico a cservice@fna-group.com.

1. Coloque la plataforma de envío sobre una superficie sólida y plana.
2. Corte con cuidado las correas de envío.
3. Con un montacargas, retire la unidad de la plataforma de envío.

ENSAMBLE

Agregar el kit de pies

1. Con una carretilla elevadora, levante la unidad hasta un nivel de trabajo cómodo.
2. Coloque una arandela plana (B) en cada perno (A) y luego insértelas a través de las patas de montaje (C).
3. Desde abajo, inserte el conjunto de patas de montaje del paso 2.
4. Coloque una arandela plana (B) en el perno, luego enrosque una tuerca hexagonal con inserto de nailon (D); apriete la tuerca.



PRECAUCIÓN: ENSAMBLE INCORRECTO

Asegúrese que todas las partes estén ensambladas en el orden y la orientación que se indican en este manual. Si no se ensamblan correctamente las piezas, pueden producirse lesiones graves o daños a la propiedad.

Conexión a la fuente de la batería (si es aplicable)



! ADVERTENCIA: CONEXIONES DE LA BATERÍA

Retire siempre primero el cable negro negativo (-) de la batería y conecte siempre el cable negro negativo (-) de la batería al final. De lo contrario, las herramientas metálicas podrían provocar un cortocircuito en el marco, lo que podría provocar quemaduras o que la batería explote.

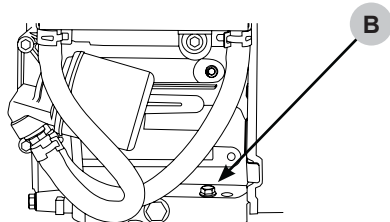
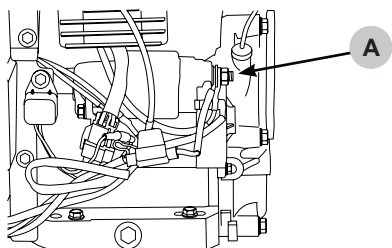
Es posible que se requiere una batería de 12 voltios (no incluida) para arrancar el motor. Para conectar una batería al motor de la lavadora a presión, será necesario conectar cables de la batería (no incluidos) al arrancador del motor y al marco de la lavadora a presión.

Tenga en cuenta lo siguiente:

- No coloque los cables de la batería cerca de piezas calientes, móviles o giratorias, ni de bordes afilados.
- Dirija los cables de la batería lejos de otros cables eléctricos o líneas de combustible.
- Proteja la conexión positiva con una cubierta o aislamiento.
- Utilice pasacables si los cables necesitan pasar a través de paneles metálicos.
- Los cables de la batería deben tener el tamaño adecuado (calibre) para la longitud del cable.
- Para un motor bicilíndrico, utilice una batería con una capacidad mínima de 45 AH (400 CCA). Para un motor monocilíndrico, utilice una batería con una capacidad mínima de 24 AH (175 CCA).

Conecte un cable positivo ROJO de la batería (no incluido) al terminal de la batería (A) en el motor de arranque. Afloje la tuerca con una llave de boca. Retire la tuerca, coloque el terminal de anillo del cable de la batería en el poste y luego enrosque la tuerca. Apretar con la llave.

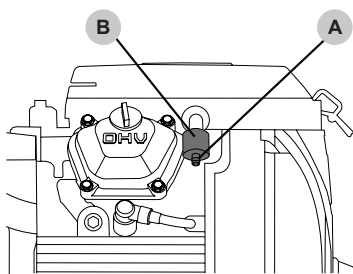
Conecte un cable negativo NEGRO de la batería (no incluido) a una toma de tierra adecuada del bastidor. El mejor lugar para hacer esto es uno de los pernos de montaje del motor (B). Usando llaves de extremo abierto, afloje y luego retire el perno. Pase el perno a través del terminal del anillo del cable y luego nuevamente a través del soporte del motor. Enrosque la tuerca. Si el diámetro del perno es de 5/16», apriete a un rango de 13-17 pies-libra. Si el diámetro del perno es de 3/8», apriete a un rango de 19-23 ft.lbs.



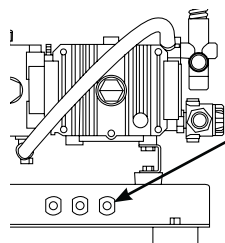
Conexión a la fuente de combustible (si es aplicable)

Es posible que no se incluya un recipiente para almacenar combustible con la hidrolavadora. Será necesario conectar un sistema de almacenamiento de combustible adecuado al motor mediante una manguera de goma aprobada para combustible (no incluida).

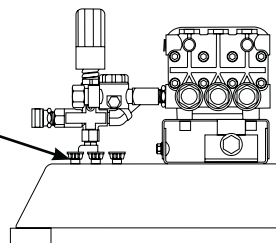
Conecte la manguera de la línea de combustible a la lengüeta de la manguera (A) en el filtro de combustible del motor (B). Asegúrelo con una abrazadera de manguera (no incluida).



Almacenamiento de las boquillas

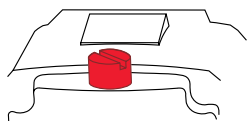


Coloque las boquillas en los soportes para boquillas.



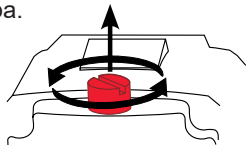
Agregar la tapa del respiradero de la bomba

La bomba de alta presión puede tener un respiradero que necesitará su atención antes de usar la lavadora por primera vez. Consulte a continuación el estilo que pueda tener.

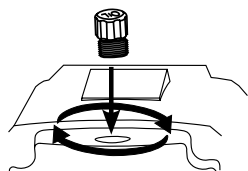


Tapa de envío

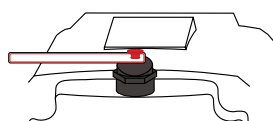
1. Utilice el destornillador de punta, la llave Allen o la llave inglesa adecuada para quitar la tapa de envío (generalmente ROJA) de la parte superior de la bomba.



2. Enrosque con la mano la tapa del respiradero en la bomba.

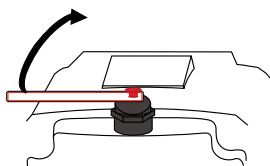


3. Apriete la tapa con los dedos.

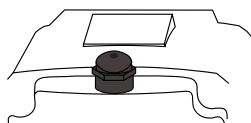


Enchufe de envío

1. Agarre la etiqueta y retírela junto con el tapón de envío ROJO.

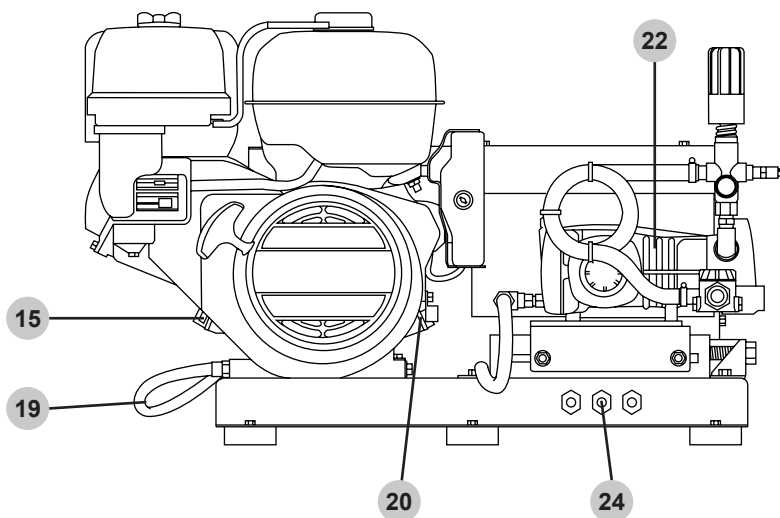
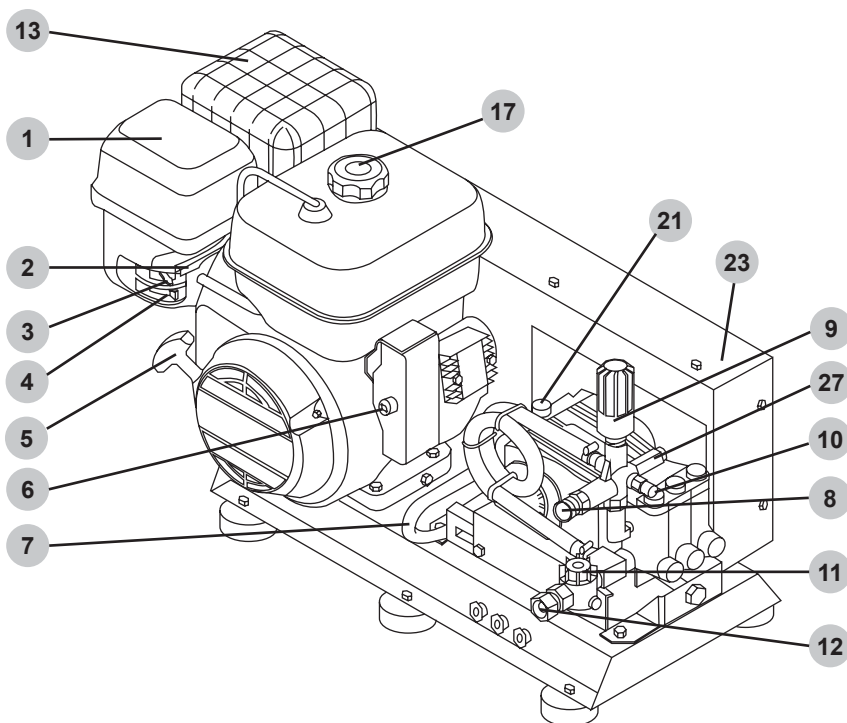


2. El respiradero ahora está abierto correctamente.

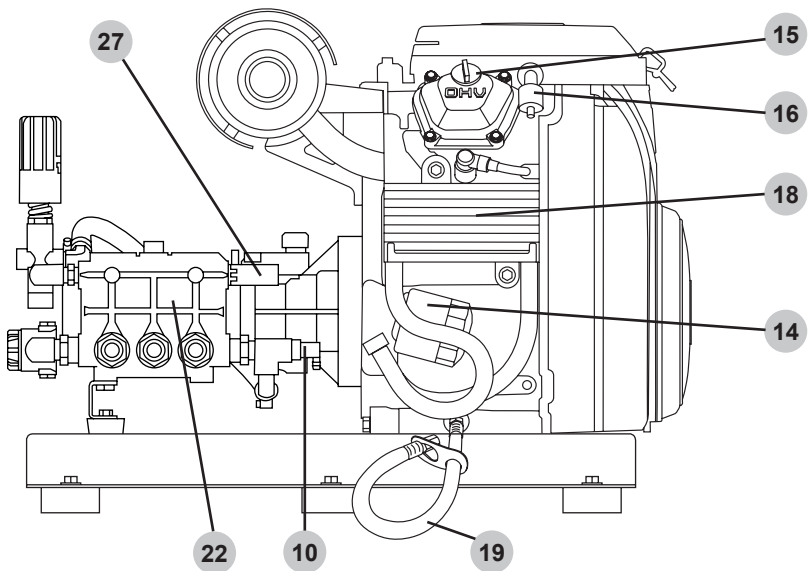
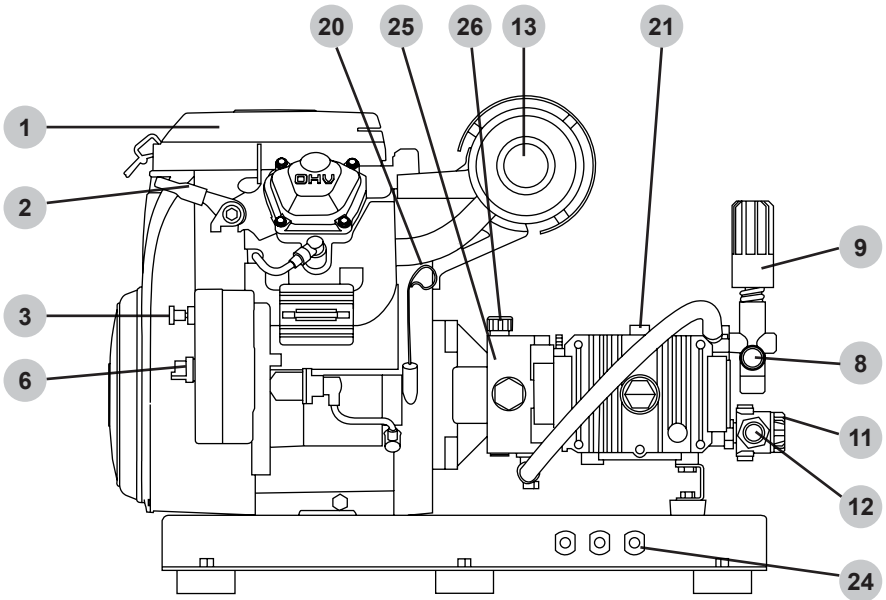


UBICACIÓN DE COMPONENTE

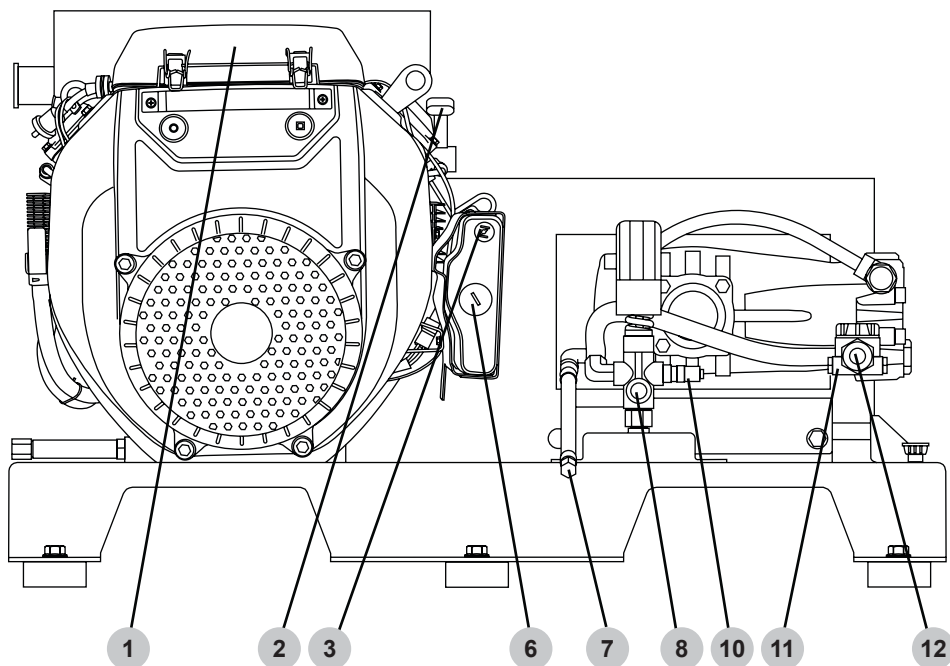
TRANSMISIÓN POR CORREA DE UN CILINDRO



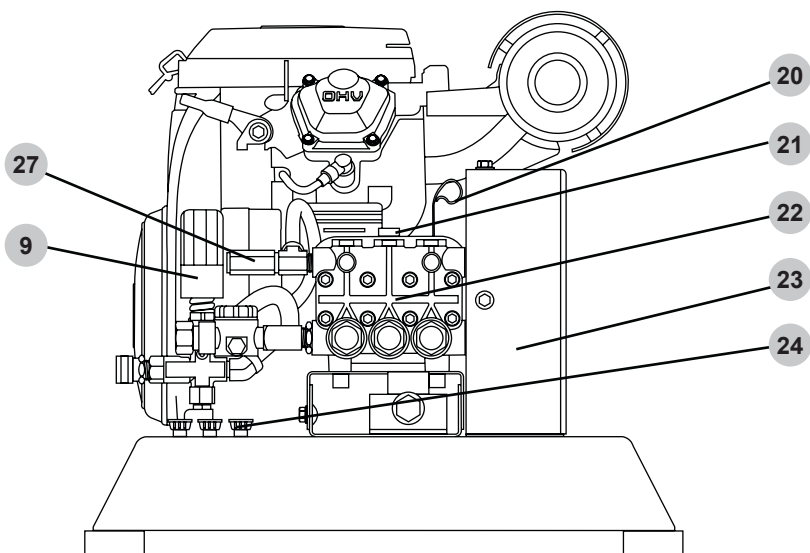
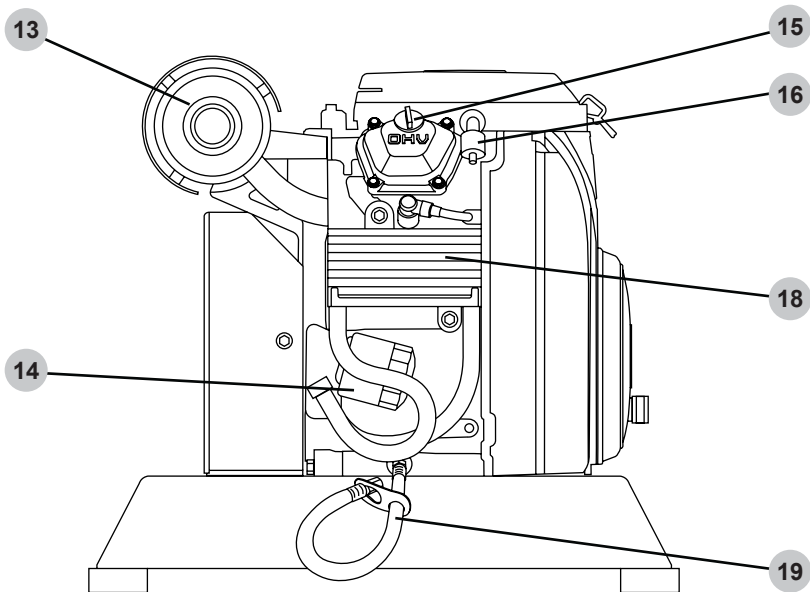
TRANSMISIÓN POR ENGRANAJES DE DOS CILINDRO



TRANSMISIÓN POR CORREA DE DOS CILINDRO



1. Tapa de la carcasa del filtro de aire
2. Palanca del acelerador del motor (si está equipado)
3. Control del estrangulador del motor (si está equipado)
4. Palanca de la válvula de combustible del motor (si está equipada)
5. Retroarranque del motor (si está equipada)
6. Interruptor de llave de ENCENDIDO-APAGADO-ARRANQUE
7. Manguera de drenaje de aceite de la bomba (si está equipada)
8. Salida de la bomba de alta presión
9. Perilla de control manual del descargador
10. Válvula de alivio térmico
11. Caja del filtro de agua
12. Acoplador de manguera de jardín
13. Silenciador del motor
14. Filtro de aceite de motor (si está equipado)
15. Tapa de llenado de aceite del motor (verifique la ubicación en el manual del propietario del motor)
16. Filtro de combustible del motor (si está equipado)
17. Tapa de llenado de combustible del motor (si está equipado)
18. Enfriador de aceite del motor (si está equipado)
19. Manguera de drenaje de aceite del motor

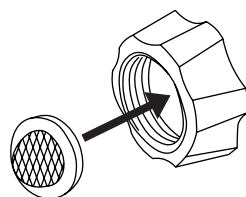


- 20. Varilla medidora de aceite del motor
(verifique la ubicación en el manual del propietario del motor)
- 21. Llenado de aceite de la bomba de alta presión
- 22. Bomba de alta presión
- 23. Protector de correa exterior (si está equipado)
- 24. Portaboquillas
- 25. Caja de engranajes de la bomba (si está equipada)
- 26. Llenado de aceite de la caja de engranajes de la bomba (si está equipada)
- 27. Válvula de alivio de presión

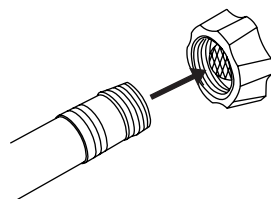
CONEXIÓN DE MANGUERAS (no incluido)

Antes de conectar una manguera de suministro de agua, el suministro de agua debe proporcionar una fuente ininterrumpida de agua limpia y fría de al menos los galones por minuto (GPM) nominales de la hidrolavadora y 20 libras por pulgada cuadrada (PSI) de presión. Sin embargo, recomendamos que el suministro de agua sea al menos un 10 % superior a los GPM nominales de la hidrolavadora. Una vez que se haya asegurado un suministro de agua adecuado, siga las instrucciones a continuación para conectar tanto el suministro de agua como las mangueras de alta presión a la hidrolavadora. NO use agua caliente. Use solo agua fría.

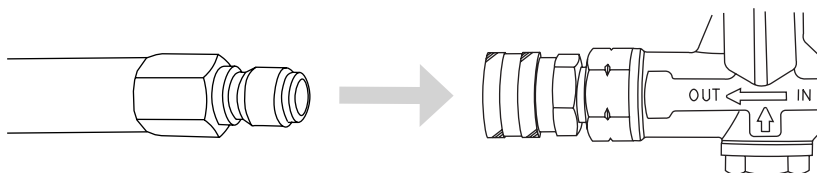
1. Verifique que el filtro de entrada esté libre de suciedad o escombros y que esté en su lugar con el lado convexo hacia afuera.



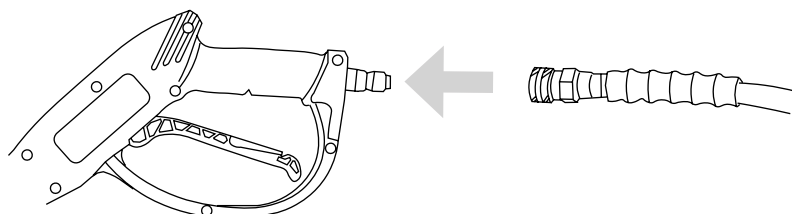
2. Abra el suministro de agua y déjelo correr durante 30 segundos para purgar cualquier residuo de la manguera de suministro. Después, cierre el suministro de agua y enrosque la manguera de suministro de agua en la entrada de la bomba.



3. Mientras jala hacia atrás del collar de salida de la bomba, inserte el conector de la manguera y después suelte el collar. Jale suavemente la manguera para asegurarse que esté bloqueada.



4. Mientras jala hacia atrás del collar de salida de la manguera, inserte el conector de la pistola y después suelte el collar. Jale suavemente la manguera para asegurarse que esté bloqueada.



PURGA DE AIRE DE LA BOMBA



AVISO

PURGA DE BOMBA

Si se hace funcionar la bomba de una hidrolavadora sin agua, se dañarán gravemente los sellos de la bomba y otros componentes internos. Para evitar este peligro, asegúrese de que el suministro de agua no se interrumpa y que tenga al menos la presión nominal en GPM de la hidrolavadora y al menos 20 PSI, y siempre purgue el aire de la bomba de la hidrolavadora antes de poner en marcha el motor.



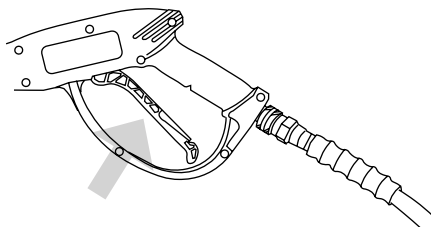
ADVERTENCIA:

LESIÓN POR INYECCIÓN

Las altas presiones creadas por una lavadora a presión pueden causar lesiones por inyección de líquido, laceraciones graves, amputaciones y/o la muerte. Para evitar estos peligros, siempre apunte la pistola rociadora y la lanza en una dirección segura cuando use una lavadora a presión y nunca intente tocar una fuga en una manguera o accesorio de alta presión.

Una bomba de lavado a presión está diseñada para funcionar con agua que fluye a través de ella. El agua lubrica y enfría los componentes internos de la bomba. Operar una bomba de lavadora a presión sin agua dañará gravemente los sellos de la bomba y otros componentes internos. Los daños causados por operar la bomba de la lavadora a presión sin agua no están cubiertos por la garantía. Asegúrese de seguir las instrucciones a continuación para purgar correctamente el aire de la bomba de la lavadora a presión antes de arrancar el motor.






1. Conecte todas las mangueras siguiendo los pasos descritos en la sección CONEXIÓN DE MANGUERAS de este manual y luego abra la fuente de agua fría.
2. Apunte la pistola rociadora en una dirección segura, después apriete y mantenga presionado el gatillo durante por lo menos 30 segundos o hasta que el agua fluya de manera constante y se purgue todo el aire de la bomba y las mangueras.
3. Revise las mangueras y conexiones respecto a fugas. Si se encuentran fugas, apague la máquina, apunte la pistola rociadora en una dirección segura y apriete el gatillo para aliviar cualquier presión acumulada en el sistema. Nunca intente tocar una fuga en una manguera o accesorio de alta presión. Nunca intente reparar una manguera de alta presión.
4. Conecte el seguro del gatillo.



BOQUILLAS

Selección de boquillas

Las boquillas suministradas con la lavadora a presión tienen patrones de rociado específicos diseñados para limpiar diferentes superficies. El uso de una boquilla incorrecta puede dañar las superficies. Consulte la siguiente tabla para seleccionar la boquilla correcta antes de usar la lavadora a presión. **NOTA:** La selección de boquillas incluidas puede variar según los modelos de lavadoras a presión.

Color	Patrón de rociado	Usos	Superficies
Rojo		Limpieza de puntos de superficies duras, sin pintar y áreas de alto alcance	Metal y hormigón sin pintar NO usar en madera.
Amarillo		Limpieza intensa de superficies sin pintar	Parrillas, entradas para vehículos, pasillos de concreto y ladrillo, bloque y estuco sin pintar
Verde		Boquilla de limpieza estándar para la mayoría de aplicaciones	Herramientas de jardín, aceras, muebles de jardín, revestimientos sin pintar, estuco, canaletas, aleros, superficies de concreto y ladrillo
Blanco		Limpieza de superficies pintadas o delicadas	Automóvil, camión, RV, marino, madera, ladrillo pintado, estuco pintado, vinilo y revestimiento pintado
Negro		Aplica soluciones de limpieza	Seguro en todas las superficies. Siempre verifique la compatibilidad de las soluciones de limpieza antes de su uso.



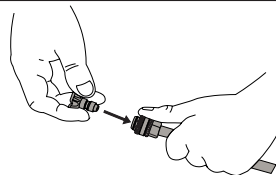
AVISO

DAÑO POR ROCÍO

El rociado de alta presión puede dañar las plantas y otras superficies como madera, vidrio, pintura, calcomanías y terminaciones de automóviles, y objetos delicados. Para evitar causar daños, cubra las plantas antes de rociar cerca de ellas, consulte la tabla de Selección de boquillas en este manual para la selección correcta de boquillas y pruebe las superficies antes de rociar para asegurarse que sean lo suficientemente fuertes para resistir el rociado de alta presión.

Instalación de boquillas

Si el motor está funcionando, asegúrese que el bloqueo del gatillo esté en la posición bloqueada antes de retirar e instalar las boquillas.



Para colocar una boquilla en la varilla de rociado, jale el acoplador de conexión rápida hacia atrás, inserte la boquilla y luego suelte el acoplador para que vuelva a colocarse en su lugar. Una vez instalada, jale la boquilla para asegurarse que quede fija.

LISTA DE VERIFICACIÓN DE OPERACIÓN



ADVERTENCIA:

LISTA DE VERIFICACIÓN DE OPERACIÓN

Intentar arrancar el motor incorrectamente o usar la lavadora a presión incorrectamente puede resultar en daño al motor y/o lavadora a presión, y puede causar lesiones serias o la muerte. Para evitar estos peligros, asegúrese de leer, comprender y seguir los pasos descritos en la sección LISTA DE VERIFICACIÓN DE OPERACIÓN del manual del propietario antes de arrancar el motor, y siga todas las pautas para el uso adecuado de la lavadora a presión.

Ubicación

Coloque la lavadora a presión en una superficie nivelada en el exterior en un área bien ventilada antes de ponerla en operación. Mantenga todos los materiales inflamables por lo menos a cinco pies de distancia de todos los lados del producto.

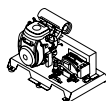
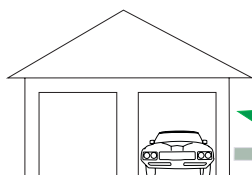
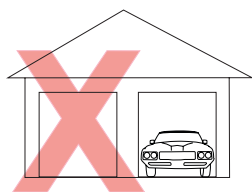
- Nunca use la lavadora a presión dentro de una casa, garaje o cualquier otro tipo de recinto, incluso si las puertas y ventanas están abiertas. Opere el motor en el exterior por lo menos a 20 pies (6 metros) de distancia de ventanas, puertas y ductos de ventilación. Considere cuidadosamente la dirección del viento y las corrientes de aire cuando utilice la lavadora a presión en exteriores para evitar respirar el escape del motor.
- Siguiendo las instrucciones y recomendaciones del fabricante, instale alarmas de monóxido de carbono que funcionen con baterías en cualquier edificio ocupado cerca del motor en funcionamiento.
- Si siente dolor de cabeza, náuseas, mareos, somnolencia o debilidad mientras la lavadora a presión está en operación, salga al aire libre y busque atención médica de inmediato.



ADVERTENCIA:

VAPORES TÓXICOS

El escape del motor contiene monóxido de carbono, un gas venenoso, inodoro e incoloro. Operar un motor en interiores lo matará en minutos. Nunca use este producto dentro de una casa, garaje o cualquier otro tipo de recinto, incluso si las puertas y ventanas están abiertas. Opere el motor en el exterior por lo menos a 20 pies (6 metros) de distancia de ventanas, puertas y ductos de ventilación. Considere cuidadosamente la dirección del viento y las corrientes de aire cuando utilice este producto al aire libre para evitar respirar el escape del motor. Siempre utilice un detector de monóxido de carbono en cualquier edificio ocupado cerca del motor en operación.



Operación a gran altitud (Solo modelos que no son EFI)

Este motor tendrá el desempeño adecuado del motor y el control de emisiones cuando se opere a una altitud de 5000 pies (1524 metros) o menos. Este motor requiere un juego de carburador de gran altitud para garantizar el desempeño adecuado del motor y el control de emisiones cuando se opera a altitudes superiores a 5000 pies (1524 metros). Operar la máquina con la configuración incorrecta del motor por encima de 5000 pies (1524 metros) puede aumentar sus emisiones, disminuir la eficiencia y el desempeño del combustible. Para obtener un juego de carburador para gran altitud, comuníquese con el centro de servicio autorizado más cercano.



AVISO

ALTITUD

Operar el motor con un juego de chorro de carburador para gran altitud a una altitud inferior a 5000 pies (1524 metros) hará que el motor se caliente demasiado. El sobrecalentamiento del motor puede provocar daños graves en el motor. Para evitar este peligro, asegúrese que esté instalado el juego de carburador correcto y que la mezcla de aire/combustible esté ajustada correctamente para su altitud.

Condiciones de operación

Antes de cada uso, verifique si hay piezas sueltas o dañadas, fugas y/o cualquier otra condición que pueda afectar la operación correcta. Repare o reemplace inmediatamente todas las piezas dañadas o defectuosas con piezas autorizadas. No utilice la máquina si faltan piezas, están rotas o no están autorizadas. Mantenga siempre todas las protecciones de seguridad en su lugar y en buen estado de operación. Por razones de seguridad, el fabricante recomienda que todo el mantenimiento y las reparaciones las realice un centro de servicio autorizado. Nunca anule las características de seguridad de este producto.

Antes de arrancar el motor, elimine el exceso de suciedad y escombros de las rejillas de ventilación, el escape y las áreas de retroceso del motor de arranque. Siempre opere la lavadora a presión en una superficie nivelada y nunca mueva ni incline la lavadora a presión mientras está en operación. Use la lavadora a presión sólo para el propósito para el que fue diseñada. Nunca tire de la manguera de suministro de agua ni de la manguera de alta presión para mover la lavadora a presión. Esto podría dañar la manguera, la entrada y/o la salida de la bomba. Si tiene preguntas sobre el uso adecuado de su lavadora a presión, comuníquese con el servicio de atención al cliente al 1-833-362-7368 o cservice@fna-group.com.



ADVERTENCIA:

NIÑOS Y ADULTOS SIN CAPACITACIÓN

No permita que los niños o adultos sin capacitación operen o jueguen con la lavadora a presión, ya que pueden sufrir lesiones graves o incluso morir. Cualquier persona que opere la lavadora a presión debe recibir las instrucciones adecuadas, comprender el funcionamiento seguro y leer detenidamente el manual del propietario antes de operar este producto. Mantenga a los niños y las mascotas alejados de la lavadora a presión mientras está en funcionamiento. Siempre apague la lavadora a presión antes de abandonar el área.

**PELIGRO:****DESCARGA ELÉCTRICA**

El rociado dirigido a receptáculos o interruptores eléctricos, u objetos conectados a un circuito eléctrico, podría provocar una descarga eléctrica fatal. Dirija el rociado lejos de receptáculos, interruptores y equipos eléctricos. Nunca limpie ningún dispositivo eléctrico, incluso cuando esté desconectado, a menos que se indique claramente en su manual que dicha limpieza está aprobada.

**ADVERTENCIA:****RIESGO DE ESTALLIDO**

Inflar los neumáticos en exceso podría causar lesiones graves y daños materiales. Use un manómetro para comprobar la presión de los neumáticos antes de cada uso y al inflarlos (si corresponde); consulte el lado del neumático para ver la presión correcta. El rociado a alta velocidad dirigido a las paredes laterales de los neumáticos (como los que se encuentran en automóviles, remolques y similares) podría dañar la pared lateral y provocar lesiones graves. En lavadoras a presión de más de 1600 psi (11032 kPa), use el rociador de abanico más ancho (boquilla de 40°) y mantenga el rociado a un mínimo de 8" (20cm) de la pared lateral de la llanta. No dirija el rocío directamente al talón entre la llanta y el rin.

**PELIGRO:****RIESGO DE EXPLOSIÓN O INCENDIO**

Operar la lavadora a presión en un entorno explosivo puede provocar un incendio. Opere y rellene el combustible del equipo en áreas bien ventiladas y libres de obstrucciones. Equipe las áreas con extintores de incendios adecuados para incendios de gasolina.

**PRECAUCIÓN:****SUPERFICIES CALIENTES**

Un motor en operación produce calor. Las superficies del motor, otros componentes relacionados y los gases de escape del motor se calientan lo suficiente como para provocar quemaduras moderadas o encender materiales al entrar en contacto (como revestimientos, plástico, hule, vinilo o la propia manguera de alta presión) y dañar las plantas vivas. Para evitar quemaduras, no toque las superficies del motor, el silenciador ni los gases de escape mientras esté en funcionamiento y deje que el motor se enfríe por completo antes de moverlo, tocarlo o realizar cualquier tarea de mantenimiento. Para evitar un incendio, mantenga todos los materiales inflamables al menos a cinco pies de distancia de todos los lados del producto. Nunca cubra la lavadora a presión durante el funcionamiento o directamente después de su uso.

**ADVERTENCIA:****LESIÓN POR INYECCIÓN**

Riesgo de inyección de líquido. Cuando utilice combinaciones de lanza y pistola rociadora con esta hidrolavadora, utilice una lanza que tenga al menos 31 pulgadas de largo.

**ADVERTENCIA:****REVISIÓN ANTES DE OPERACIÓN**

No revisar este producto antes de su uso podría crear una situación peligrosa que resulte en daños al producto, lesiones graves y/o la muerte. Para evitar estos peligros, revise la lavadora a presión antes de cada uso. Verifique si hay partes sueltas o dañadas, señales de fugas de aceite o combustible, protecciones faltantes, ventilas de enfriamiento obstruidas, o cualquier otra condición que pueda afectar la operación adecuada. Repare o reemplace todas las partes dañadas o defectuosas con piezas autorizadas y mantenga todas las protecciones de seguridad en su lugar y en buenas condiciones de operación antes de usar la lavadora a presión.

**ADVERTENCIA:****LESIÓN POR INYECCIÓN**

Las altas presiones creadas por una lavadora a presión pueden causar lesiones por inyección de líquido en la carne humana y animal, laceraciones graves, amputaciones y/o la muerte. Para evitar estos peligros, siempre apunte la pistola rociadora y la lanza en una dirección segura cuando use una lavadora a presión y nunca intente tocar una fuga en una manguera o accesorio de alta presión. Nunca coloque las manos frente a la salida de descarga de la pistola rociadora. Nunca sujete la manguera o los accesorios durante el funcionamiento. Nunca coloque ni retire la pistola rociadora o los accesorios de la manguera mientras el sistema esté presurizado. Nunca apunte la pistola rociadora hacia personas o animales ni rocíe con ella. ¡NO TRATE LA INYECCIÓN DE LÍQUIDO COMO UNA SIMPLE CORTE! ¡Consulte a un médico de inmediato!

**ADVERTENCIA:****PARTES MÓVILES**

Este producto tiene muchas partes que se mueven a altas velocidades. Las partes móviles pueden causar lesiones por aplastamiento, fracturas, laceraciones severas, y/o amputaciones traumáticas. Para evitar lesiones, nunca coloque los dedos, manos, pies, u otras partes del cuerpo cerca del motor en operación. Nunca opere el productor con las cubiertas, aros de refuerzo u otras protecciones retirados. No use ropa holgada, cordones que cuelguen, o cualquier otro artículo que cuelgue que se pudiera enredar en las partes móviles durante la operación. Ate el cabello largo y quítese las joyas antes de operar.

**PRECAUCIÓN:****LA CALIFICACIÓN DE PRESIÓN**

Utilice únicamente accesorios o piezas de repuesto con una clasificación igual o superior a la clasificación de la lavadora a presión para evitar lesiones graves, daños a la lavadora a presión y/o daños a los accesorios.

Verificación de aceite del motor**PRECAUCIÓN:****ACEITE CALIENTE**

El aceite caliente puede provocar quemaduras graves. Para evitar quemarse al cambiar o revisar el aceite del motor, use guantes adecuados y cambie el aceite cuando el motor esté tibio pero no caliente.



AVISO

SENSOR DE ACEITE BAJO

El sensor de bajo nivel de aceite (si está equipado) detendrá automáticamente el motor cuando el nivel de aceite caiga por debajo del límite de seguridad. Para evitar un paro inesperado, verifique el nivel de aceite antes de cada uso, llene hasta el límite superior y siempre opere el motor en una superficie nivelada.



AVISO

LLENE EL ACEITE DEL MOTOR ANTES DEL USO

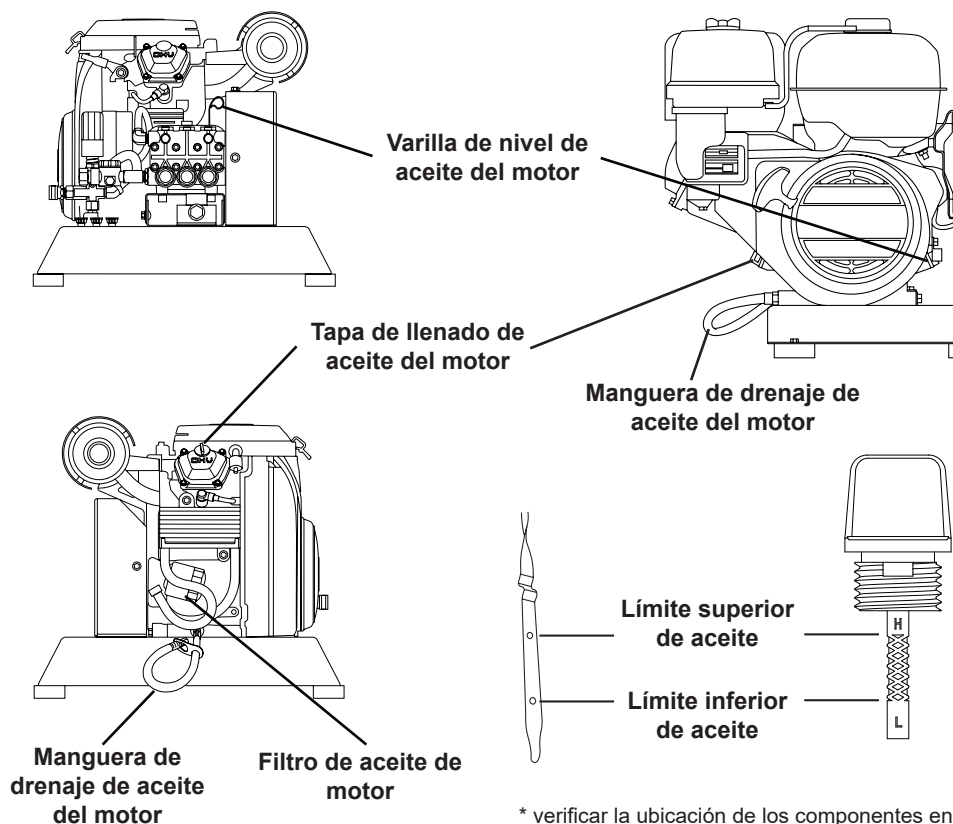
El motor se envía de fábrica sin aceite. Operar el motor sin aceite resultará en daños severos al motor y anulará la garantía. Para evitar dañar el motor y anular la garantía, llene el motor con el tipo de aceite recomendado antes de arrancar.



AVISO

USE ACEITE DE MOTOR CORRECTO

El aceite es un factor importante en el desempeño y la vida útil de cualquier motor. El uso de aceite incorrecto puede dañar el motor y anular la garantía. Para evitar dañar el motor y anular la garantía, revise y cambie el aceite conforme sea necesario utilizando el aceite de motor correcto.



* verificar la ubicación de los componentes en el manual del propietario del motor

1. Verifique el aceite con una lavadora a presión en una superficie nivelada; motor apagado.
2. Saque la varilla medidora de aceite del motor y luego límpiela.
3. Coloque la varilla medidora limpia completamente en el tubo de la varilla medidora.
4. Retire la varilla medidora del tubo de la varilla medidora y verifique el nivel de aceite. El nivel de aceite debe estar entre los límites superior e inferior de aceite de la varilla medidora.
5. Si el nivel es bajo, agrega el aceite recomendado al cárter hasta que el nivel alcance el límite superior de la varilla medidora. Consulte el manual del motor para conocer el aceite recomendado.
6. Coloque la varilla medidora completamente en el tubo de la varilla medidora.

Revisión de combustible



ADVERTENCIA:

ABASTECIMIENTO DE COMBUSTIBLE

La gasolina es altamente inflamable y sus vapores son extremadamente explosivos. Los incendios y explosiones pueden causar quemaduras graves y/o la muerte. Mantenga la gasolina alejada de llamas, chispas y otras fuentes de ignición. Rellene el combustible al aire libre en un área bien ventilada con el motor parado y frío. Limpie la gasolina derramada y deje que el motor se seque antes de arrancar. Mantenga un extintor de incendios a mano mientras recarga combustible. No opere el motor con fugas en el sistema de combustible. No almacene gasolina cerca de otros materiales inflamables. Almacene el combustible en un recipiente limpio aprobado por OSHA, en un lugar seguro lejos del área de trabajo.



AVISO

GASOLINA VIEJA

La gasolina vieja puede crear depósitos que obstruyan los sistemas de combustible y dificulten el arranque y desempeño deficiente. Los daños causados por combustible viejo no están cubiertos por la garantía. Para minimizar los depósitos, evitar problemas de desempeño relacionados con el combustible antiguo y evitar costosos trabajos de reparación, no utilice gasolina con una antigüedad superior a 30 días.



AVISO

MEZCLAS DE ALCOHOL

El uso de gasolina con una mezcla de alcohol superior al 10% (E10) dañará el motor. Los daños causados por el uso de una mezcla de alcohol del 15% (E15), 85% (E85) o cualquier otra mezcla de alcohol superior al 10% (E10) no están cubiertos por la garantía. Para evitar daños en el motor causados por una mezcla de alcohol demasiado alta, use gasolina con un 10% de alcohol (E10) o menos.



AVISO

ADITIVOS DE GASOLINA

El uso de aditivos de limpieza del sistema de combustible puede dañar el motor y los sistemas de combustible. Los daños causados por el uso de aditivos de limpieza del sistema de combustible no están cubiertos por la garantía. Para evitar daños al motor y al sistema de combustible, no utilice aditivos de limpieza del sistema de combustible.



AVISO

ALMACENAMIENTO DE GASOLINA

Es importante evitar que se formen depósitos de hule en las partes esenciales del sistema de combustible, como el carburador, el filtro de combustible, la manguera de combustible o el tanque durante el almacenamiento. Los combustibles mezclados con alcohol (también llamados gasohol, etanol o metanol) atraen la humedad, lo que conduce a la separación y formación de ácidos durante el almacenamiento. Los depósitos de combustible ácido y goma pueden dañar el sistema de combustible del motor mientras está almacenado. Los daños causados por el uso de combustible viejo, rancio o contaminado no están cubiertos por la garantía.



AVISO

NO LLENE DEMASIADO EL TANQUE DE COMBUSTIBLE

El llenado excesivo del tanque de combustible puede provocar daños en el cartucho de carbón (si está equipado), un desempeño deficiente del motor y anular la garantía. Para evitar estos peligros, no llene el tanque de combustible por encima del nivel máximo.

1. Verifique el combustible con el motor apagado y la lavadora a presión en una superficie nivelada.
2. Retire la tapa del tanque de combustible, verifique el nivel de combustible y entonces llene el tanque de combustible si es necesario. Para conocer la ubicación de la tapa de combustible, consulte la sección UBICACIONES DE COMPONENTES de este manual.
3. No utilice gasolina que tenga más de 30 días. Utilice únicamente gasolina regular sin plomo limpia y fresca con un octanaje mínimo de 87. No mezcle aceite con gasolina. No utilice gasolina que contenga más de un 10% de alcohol etílico. E15, E20 y E85 no son combustibles aprobados y no deben utilizarse.
4. No llene el tanque de combustible por encima del nivel máximo de combustible para dejar espacio para la expansión del combustible. Para conocer la capacidad de combustible, consulte la sección ESPECIFICACIONES del manual del motor.
5. Reemplace la tapa del tanque de combustible. Nunca opere el motor sin la tapa de combustible instalada.

NOTA: El uso de un estabilizador de combustible (se vende por separado) al almacenar gasolina puede ayudar a prevenir problemas relacionados con el almacenamiento de gasolina mezclada con alcohol etanol. Siempre siga las instrucciones proporcionadas por el fabricante del estabilizador de combustible para mezclar y usar correctamente.

ARRANQUE DEL MOTOR



ADVERTENCIA:

LISTA DE VERIFICACIÓN DE OPERACIÓN

Intentar arrancar el motor incorrectamente o usar la lavadora a presión incorrectamente puede resultar en daño al motor y/o lavadora a presión, y puede causar lesiones serias o la muerte. Para evitar estos peligros, asegúrese de leer, comprender y seguir los pasos descritos en la sección LISTA DE VERIFICACIÓN DE OPERACIÓN del manual del propietario antes de arrancar el motor, y siga todas las pautas para el uso adecuado de la lavadora a presión.



AVISO

DAÑO DE LA BOMBA

Operar la lavadora a presión durante más de dos minutos sin apretar el gatillo de la pistola rociadora sobrecalentará la bomba y posiblemente causará daños. La válvula de alivio térmico se abrirá y rociará agua para ayudar a enfriar la bomba a medida que se sobrecalienta. Nunca altere la válvula de alivio térmico. Para evitar el sobrecalentamiento de la bomba, apague el motor si no la va a utilizar durante más de dos minutos.

Arranque del motor

1. Complete los pasos de la sección LISTA DE VERIFICACIÓN DE OPERACIÓN de este manual antes de arrancar el motor. Si no lo hace, podría dañar la bomba o el motor. Si es necesario, consulte el Manual del propietario del motor para obtener instrucciones de arranque específicas.

La fuente de agua debe estar conectada, abierta, el aire purgado del sistema y el seguro del gatillo colocado en la posición bloqueada.

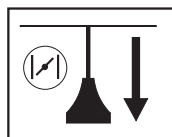
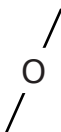
2. Gire la válvula de combustible a la posición ON (si está equipado).



3. Deslice el acelerador a la posición CORRER (si está equipado).



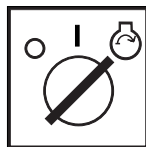
4. Si está equipado, mueva el estrangulador a CHOKE (cerrado) para arrancar un motor FRÍO. Muévelo a RUN (abierto) para arrancar un motor CALIENTE.



CERRADO

NOTA: La posición inicial del estrangulador variará según la temperatura del motor. Si arranca un motor frío, mueva la palanca del estrangulador hacia la posición CERRADO. Si arranca un motor caliente, mueva la palanca del estrangulador hacia la posición ABIERTO.

5A. **(Arranque eléctrico)** Gire la llave más allá de la posición ON a la posición START y manténgala presionada hasta que arranque el motor. Si el motor no arranca después de 5 segundos, suelte la llave y deje que el motor de arranque se enfríe durante 1 minuto antes de intentar arrancar el motor nuevamente. Permita que la llave regrese a la posición ON una vez que arranque el motor.



! ADVERTENCIA: DAÑOS POR PULVERIZACIÓN

¡Permitir que el motor de arranque gire constantemente dañará el motor de arranque! Si el motor no arranca después de dos intentos, consulte la sección SOLUCIÓN DE PROBLEMAS para obtener ayuda.

5B. **(Arranque manual)** Gire el interruptor del motor a la posición ON. Si está equipado, jale el retroceso lentamente hasta sentir resistencia, luego tire rápidamente para arrancar el motor. No permita que la agarradera de arranque vuelva a su posición. Lentamente, colóquela nuevamente en posición en forma manual.



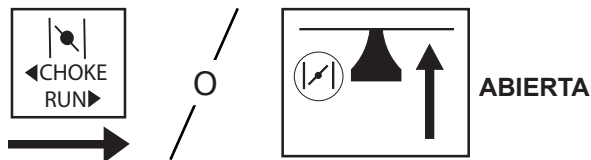
NOTA: Si el motor no arranca después de dos tirones, apriete el gatillo de la pistola para liberar la presión almacenada. Luego, intente nuevamente arrancar el motor.



! ADVERTENCIA: RETRACCIÓN RÁPIDA

La retracción rápida (también conocida como contragolpe) del cable de arranque de retroceso del motor tirará de su mano y brazo hacia el motor más rápido de lo que puede soltar el mango, lo que provocará esguinces, fracturas de huesos, laceraciones y/o amputaciones traumáticas. El contragolpe a menudo es causado por fallas internas del motor y/o técnicas de arranque incorrectas. Para evitar el contragolpe, siga el programa de mantenimiento apropiado, las instrucciones de arranque y haga que un centro de servicio autorizado realice el trabajo de reparación.

6. Una vez que el motor arranque, mueva lentamente la palanca del estrangulador (si está equipada) a la posición RUN (abierta) mientras el motor funciona. Si el motor falla, mueva el estrangulador hacia CHOKE (cerrada) hasta que el motor se haya calentado.



7. Permita que el motor se caliente durante 1-2 minutos antes de usar el producto, apretando ocasionalmente el gatillo de la pistola rociadora para permitir que el agua fluya a través de la bomba y evitar el sobrecalentamiento y causar daños a la bomba.

NOTA: Siempre asegure el bloqueo del gatillo cuando la pistola rociadora no esté en uso para evitar una operación accidental. Nunca asegure permanentemente el gatillo en la posición de retraída (abierta).

APAGADO DEL MOTOR



AVISO

DAÑO DE LA BOMBA

Cerrar el suministro de agua a su bomba con el motor en operación dañará la bomba. Los daños causados por operar la bomba sin agua no están cubiertos por la garantía. Para evitar este peligro, apague siempre el motor antes de cerrar el suministro de agua.

1. Ajuste el bloqueo del gatillo en la pistola rociadora.
2. Deslice el acelerador a la posición LENTO (si está equipado).
3. Gire el interruptor del motor a la posición APAGADO.
4. Gire la válvula de combustible a la posición OFF (si está equipado).
5. Cierre el suministro de agua.
6. Suelte el seguro del gatillo y después apriete el gatillo de la pistola rociadora para aliviar la presión en la manguera y la bomba.
7. Deje que el motor se enfríe completamente antes de manipularlo y almacenarlo.

CONSEJOS DE OPERACIÓN

Términos

- PSI - Libras por pulgada cuadrada (PSI) es la unidad para medir la presión del agua. En relación con una lavadora a presión, cuanto mayor sea el número de PSI, mayor será la presión y el potencia de extracción producidos.
- GPM - Galones por minuto (GPM) es el caudal de agua. En relación a una lavadora a presión, cuanto mayor sea el GPM, mayor será el caudal o potencia de enjuague producida.
- CU - Las unidades de limpieza expresan la eficiencia de la lavadora a presión. Las unidades de limpieza se calculan multiplicando el PSI por el GPM. Cuanto mayor sea la CU, será más eficiente la lavadora a presión.

Preparación

- Lea todas las advertencias e instrucciones en éste y todos los manuales que vienen con la lavadora a presión.
- Retire todos los juguetes, bicicletas, muebles de jardín, etc. del área de trabajo si no se van a limpiar.
- Barra la suciedad suelta y los escombros de la superficie que lavará a presión.
- Cubra las plantas cercanas para evitar dañarlas con el rociador de agua a presión.
- Tenga cuidado al rociar ventanas. Utilice siempre la boquilla blanca de 40° y manténgase por lo menos a 4 pies de distancia.
- Coloque lonas para recoger los pedazos de pintura y otros desechos que se desprendan con el rocío. Las pinturas exteriores usadas antes de 1977 pueden contener plomo y producirán astillas que deberán recolectarse y desecharse en una instalación de desechos peligrosos.
- Para minimizar la infiltración de agua al motor de la lavadora a presión, ubique la lavadora a presión lo más lejos posible del sitio de limpieza durante la operación.

Lavado a presión

- Un rociado más ancho equivale a una limpieza más rápida, mientras que un rociado más apretado equivale a una limpieza más profunda.
- Mantenga la boquilla a unos 4 pies de distancia del revestimiento para evitar daños.
- Comience a lavar el revestimiento en la parte inferior y avance hacia arriba, luego enjuague de arriba hacia abajo.
- Evite que el agua suba detrás del revestimiento.
- Utilice pasadas superpuestas para una limpieza uniforme.
- Trabaje en áreas pequeñas para evitar que el jabón se seque.
- No apunte la boquilla directamente a la superficie. Sostenga la varita en un ángulo de 45° con respecto a la superficie a una distancia que limpie bien sin causar daños.

Ajuste de la presión de la superficie

- Aléjese de la superficie a limpiar. Cuanto más lejos coloque la boquilla de la superficie a limpiar, menor será la presión para llegar a la superficie.
- Cambie a la boquilla blanca de 40°. Esta boquilla produce un rociado de menor presión y mayor ancho.

Ajuste de perilla de control manual de descarga para ajustar la presión *(si está equipado)*

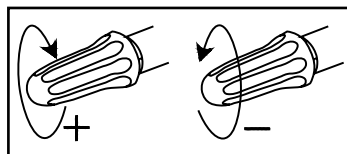


ADVERTENCIA: ALTA PRESIÓN

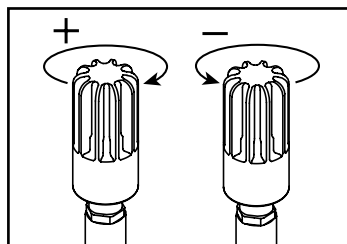
No retire la perilla de control manual de descarga. No apriete demasiado la perilla de control manual de descarga. Ajustar demasiado la perilla más allá del tope incorporado puede provocar lesiones graves, la ruptura de la perilla o reparaciones costosas. No intente aumentar la presión más allá de la presión preestablecida de fábrica.

La configuración de presión más alta se preestablece en la fábrica para lograr la presión óptima para la limpieza. Si necesita reducir la presión, su unidad podría estar equipada con una perilla de control manual de descarga que le permite ajustarla. El estilo de la perilla de control manual de descarga puede ser diferente al de la imagen que se muestra a continuación.

- Si está equipada con una perilla de control manual de descarga, reduzca la presión girándola en sentido contrario a las manecillas del reloj hasta alcanzar la presión deseada.



- Gire la perilla de control manual de descarga en sentido de las manecillas del reloj hasta que se detenga para volver a la presión máxima preestablecida de fábrica.



SOLUCIÓN DE PROBLEMAS

PROBLEMA	CAUSA POSIBLE	SOLUCIÓN
<p>El motor no arranca.</p> <p>Consulte el Manual de propietario del motor para obtener más información sobre la solución de problemas del motor.</p>	El tanque de combustible está vacío.	Agregue combustible nuevo.
	La presión del agua en la bomba impide que el motor gire.	Apunte la pistola rociadora en una dirección segura y apriete el gatillo para liberar la presión del agua en la bomba.
	El estrangulador del motor está en la posición incorrecta.	Consulte la sección ARRANQUE DEL MOTOR de este manual para conocer la posición correcta del estrangulador.
	El cable de la bujía no está conectado a la bujía.	Conecte el cable de la bujía.
	El interruptor del motor está en la posición APAGADO.	Gire el interruptor del motor a la posición ON.
	La válvula de combustible del motor está CERRADA.	ABRA la válvula de combustible.
	El aceite del motor está bajo. Si el motor está equipado con un sensor de bajo nivel de aceite, el motor no arrancará.	Revise el nivel de aceite del motor. Llene conforme al manual del motor.
<p>La lavadora a presión genera poca o ninguna presión de agua.</p>	Hay aire atrapado en la bomba y/o las mangueras.	Consulte la sección PURGA DE LA BOMBA de este manual para eliminar el aire de la bomba y las mangueras.
	La fuente de agua es insuficiente.	Asegúrese de que la fuente de agua pueda suministrar al menos el GPM nominal de la hidrolavadora a 20 PSI.
	La boquilla está obstruida.	Limpie la boquilla de acuerdo con la sección MANTENIMIENTO de este manual.
	La rejilla de entrada de agua está obstruida.	Limpie la pantalla de entrada de agua conforme a la sección MANTENIMIENTO de este manual.
	La manguera de alta presión es demasiado larga.	La manguera de alta presión debe tener menos de 100 pies de longitud.
	El estrangulador del motor está en la posición CHOKE.	Mueva el estrangulador del motor a la posición RUN.
<p>No succionará detergente.</p>	Sello o empaquetadura gastada.	Póngase en contacto con servicio al cliente al 1-833-362-7368

PROBLEMA	CAUSA POSIBLE	SOLUCIÓN
No succionará detergente (continuación)	La varilla rociadora no está en baja presión.	Inserte la boquilla negra de "jabón".
	Filtro de detergente obstruido.	Limpie el filtro.
	El filtro de detergente no está sumergido en el detergente.	Asegúrese que el extremo del filtro de la manguera del sifón de detergente esté completamente sumergido en el detergente.
	El detergente es demasiado espeso.	Detergente diluido. El detergente debe tener la misma consistencia que el agua.
	La manguera de alta presión es demasiado larga.	Alargue la manguera de suministro de agua y acorte la manguera de alta presión.
	El detergente se seca dentro del inyector de detergente.	Póngase en contacto con servicio al cliente al 1-833-362-7368
Fuga de agua en la bomba.	Conexiones sueltas.	Apreté las conexiones.
	Anillo O desgastado o roto.	Verifique y reemplace.
	Empaque del pistón desgastado.	Póngase en contacto con servicio al cliente al 1-833-362-7368
	Cabezal de bomba o tubos dañados por congelamiento.	Póngase en contacto con servicio al cliente al 1-833-362-7368
La bomba o la boquilla pulsa.	Boquilla obstruida.	Limpie la boquilla de acuerdo con la sección MANTENIMIENTO de este manual.
Fuga de aceite de la bomba.	Tapón de drenaje suelto.	Apreté.
	Anillo O del tapón de drenaje desgastado.	Verifique y reemplace.
	Bomba de aceite llena en exceso.	Verifique la cantidad correcta.
	Aceite incorrecto utilizado.	Drene y llene con el tipo y la cantidad correctos de aceite.
	El tapón de ventilación está obstruido.	Limpie el tapón de ventilación; sople aire a través de la ventilación para eliminar el bloqueo. Si el problema persiste, reemplace el tapón.
	Sellos de aceite desgastados.	Póngase en contacto con servicio al cliente al 1-833-362-7368
Filtración de agua en la conexión pistola/varillas pulverizadoras	Junta tórica rota o desgastada.	Verifique y cambie.
	Conexión de la manguera rota.	Ajuste.

Para obtener ayuda adicional o encontrar su centro de servicio autorizado local, llame al 1-833-362-7368 o envíe un correo electrónico a cservice@fna-group.com.

MANTENIMIENTO

Por razones de seguridad, el fabricante recomienda que todos los servicios y reparaciones de la lavadora a presión sean realizados por un centro de servicio autorizado. Todos los reemplazos o reparaciones bajo garantía deben ser realizados por un centro de distribución o servicio autorizado. Para encontrar un centro de servicio autorizado cerca de usted, hacer un reclamo de garantía u obtener una reparación de garantía autorizada, llame al 1-833-362-7368 o envíe un correo electrónico a cservice@fna-group.com.

Es responsabilidad del propietario y/o del operador completar todo el mantenimiento programado antes de operar la lavadora a presión. Asegúrese de seguir las recomendaciones de inspección y mantenimiento que se enumeran en todos los manuales que acompañan a esta unidad.

Mantenimiento

Antes de cada uso, revise la lavadora a presión respecto a fugas, piezas sueltas o dañadas y cualquier otra condición que pueda afectar la operación correcta. Asegúrese que todas las protecciones de seguridad estén en su lugar y en buenas condiciones de operación. Revise todas las rejillas de ventilación y las ranuras de enfriamiento para asegurarse que estén limpias y sin obstrucciones. Repare o reemplace todas las piezas dañadas o defectuosas con piezas autorizadas de inmediato. Por razones de seguridad, el fabricante recomienda que todos los servicios y reparaciones de la lavadora a presión sean realizados por un centro de servicio autorizado. Nunca intente reparar una manguera de alta presión.



ADVERTENCIA:

RIESGO DE QUEMADURAS

Al realizar el mantenimiento, puede estar expuesto a superficies calientes, presión de agua o piezas móviles que pueden causar lesiones graves o la muerte.



ADVERTENCIA:

RIESGO DE INCENDIO

Desconecte siempre el cable de la bujía, deje que el motor se enfríe y libere toda la presión del agua antes de realizar cualquier mantenimiento o reparación. Pueden producirse lesiones si no se reduce la presión del sistema antes de intentar realizar el mantenimiento o el desmontaje. El motor contiene combustible inflamable. No fume ni trabaje cerca de llamas abiertas mientras realiza el mantenimiento.



ADVERTENCIA:

LESIONES POR MODIFICACIÓN

Nunca modifique el producto ni ninguna de sus piezas. Podrían producirse daños o lesiones personales.

Limpeza de lavadora a presión

Siempre limpie la lavadora a presión con el motor apagado y frío. Para limpiar la lavadora a presión, primero use un compresor de aire ajustado a no más de 25 PSI para limpiar la suciedad y los escombros de las superficies, las rejillas de ventilación y las ranuras de enfriamiento de la lavadora a presión. Después, limpie el exterior con un paño húmedo.



AVISO

LIMPIEZA

El agua puede dañar los componentes del motor de la lavadora a presión si se deja entrar a través de las ranuras de enfriamiento u otros orificios. Los daños causados por la entrada de agua no están cubiertos por la garantía. Para evitar daños por agua en el motor, no use una lavadora a presión, manguera de jardín o cualquier otra fuente de agua corriente para limpiar el motor de la lavadora a presión, y nunca sumerja el motor de la lavadora a presión en ningún líquido.



AVISO

LIMPIADORES QUÍMICOS

El uso de limpiadores químicos y/o líquidos corrosivos puede dañar los sellos de la lavadora a presión y componentes internos. Daños causados por limpiadores químicos y líquidos corrosivos no están cubiertos por la garantía. Para evitar estos peligros, utilice únicamente productos de limpieza aprobados, nunca use blanqueador y siempre deje correr agua limpia a través de la lavadora a presión después de usar productos químicos de limpieza.

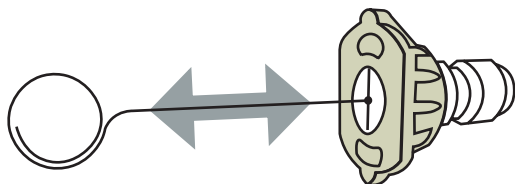
Conexiones

Las conexiones de la manguera, la pistola rociadora y la bomba deben limpiarse y lubricarse con una capa delgada de grasa de litio con regularidad para evitar daños y fugas en los anillos O.

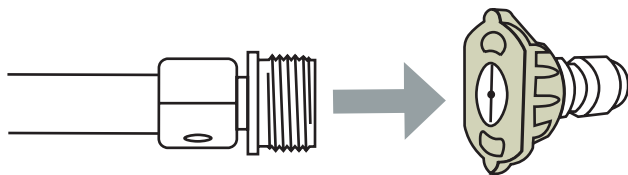
Limpeza de boquillas

Si una boquilla se obstruye, la bomba puede vibrar y los patrones de rociado pueden cambiar. Si no se limpia la boquilla, se puede desarrollar una presión excesiva que posiblemente dañe la bomba u otros accesorios. Revise las boquillas antes de usarlas y siga las instrucciones de esta sección para el procedimiento de limpieza de las boquillas adecuado.

1. Apague la lavadora a presión.
2. Cierre el suministro de agua.
3. Apunte la pistola rociadora en una dirección segura y apriete el gatillo para aliviar la presión del agua.
4. Ajuste el bloqueo del gatillo.
5. Retire la boquilla del conector rápido de la lanza.
6. Elimine cualquier obstrucción de la boquilla insertando la herramienta de limpieza de boquillas incluida.



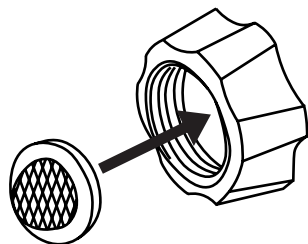
7. Enjuague cualquier residuo suelto de la boquilla dirigiendo una manguera de jardín en funcionamiento hacia la salida de la boquilla durante por lo menos 30 segundos.



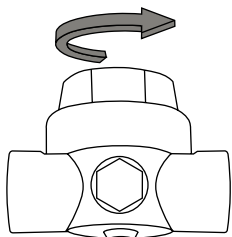
Filtros de entrada de agua

Antes de cada uso, verifique el filtro de entrada de malla y límpielo siguiendo los pasos a continuación. Nunca opere la lavadora a presión sin el filtro de entrada de pantalla correctamente instalado.

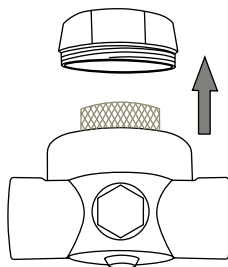
1. Retire el filtro del acoplador de la manguera de jardín.
2. Utilice agua de una manguera de jardín corriente para limpiar ambos lados del filtro.
3. Inserte el filtro limpio en la entrada de la bomba con el lado convexo hacia afuera.



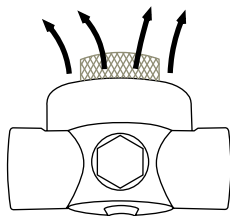
El filtro de tapa azul debe revisarse periódicamente para determinar si es necesario limpiarlo.



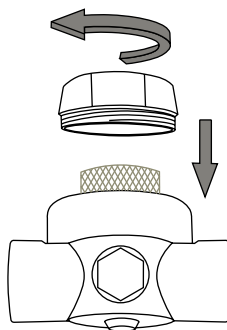
1. Con el suministro de agua cerrado, desenroscar la tapa de la carcasa en la parte superior del filtro de agua.



2. Retire cualquier residuo alrededor de la pantalla de malla, dentro de la carcasa y la cubierta.



3. Con la manguera de jardín conectada, abra el agua durante unos segundos para eliminar los residuos que puedan quedar retenidos dentro de la carcasa.

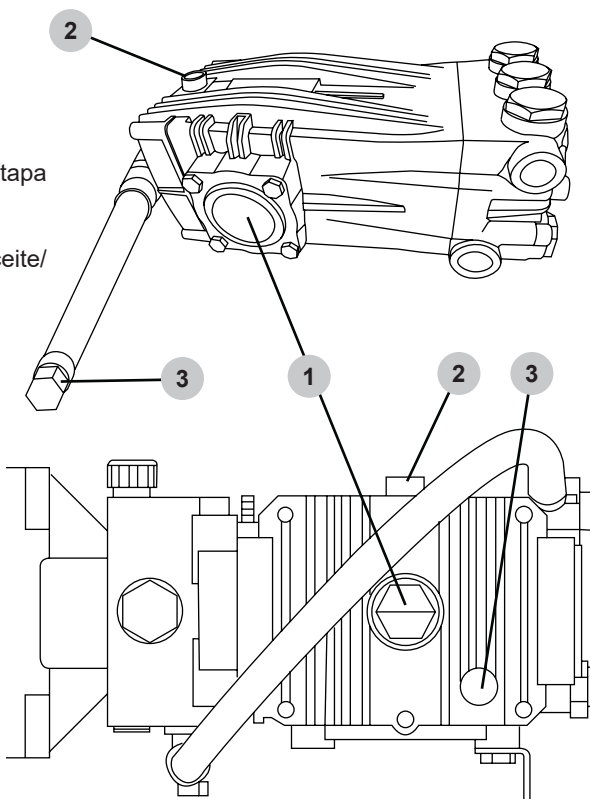


4. Enrosque la tapa de la carcasa en la parte superior de la carcasa del filtro de agua; apriete la parte superior con la mano.

Mantenimiento de la bomba

Nota: La bomba se llenó con aceite en la fábrica. Consulte al fabricante de la bomba para conocer los intervalos de cambio de aceite y el aceite recomendados.

1. Mirilla de aceite
2. Tapón de llenado de aceite/tapa de ventilación
3. Manguera de drenaje de aceite/
Tapón de drenaje de aceite



Cómo cambiar el aceite de la bomba

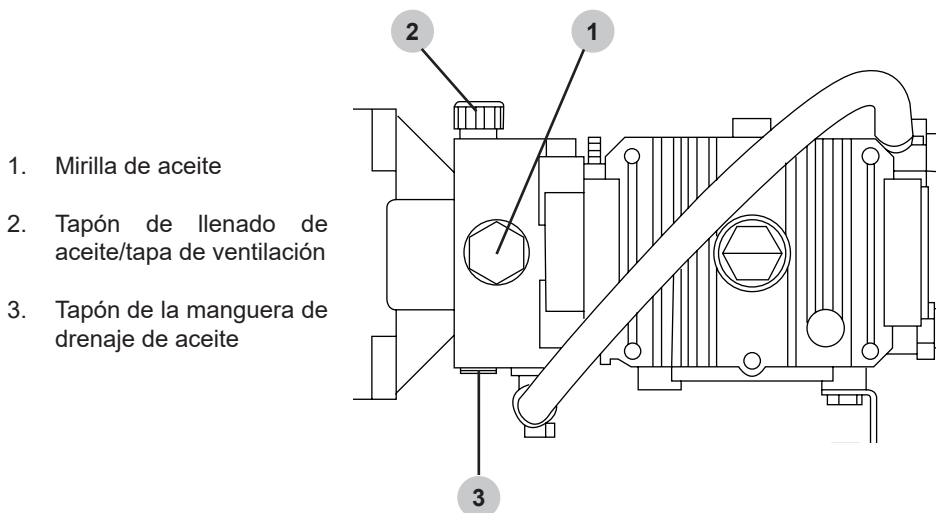
1. Afloje el tapón de llenado de aceite de la bomba/tapa de ventilación.
2. Coloque un recipiente debajo del tapón de la manguera de drenaje de aceite.
3. Retire el tapón de la manguera de drenaje de aceite.
4. Una vez drenado el aceite, inserte el tapón de la manguera de drenaje de aceite; apriete firmemente.
5. Consulte al fabricante de su bomba para obtener el aceite recomendado adecuado.
6. Vuelva a llenar, asegurándose de que el nivel de aceite sea el adecuado en la mirilla, o el nivel máximo marcado en la varilla medidora, según lo recomendado por el fabricante de la bomba.
7. Inserte el tapón de llenado de aceite/tapa de ventilación; apriételo firmemente.

*Las ilustraciones son sólo de referencia y pueden no representar su modelo específico.

Mantenimiento de la caja de cambios de la bomba

(si está equipada)

Nota: La caja de engranajes de la bomba se llenó con aceite en la fábrica. El aceite preferido es un aceite SAE 75W-90 totalmente sintético. Cambie el aceite después de las primeras 50 horas de funcionamiento y cada 1000 horas a partir de entonces o una vez al año.



Cómo cambiar el aceite de la caja de cambios de la bomba

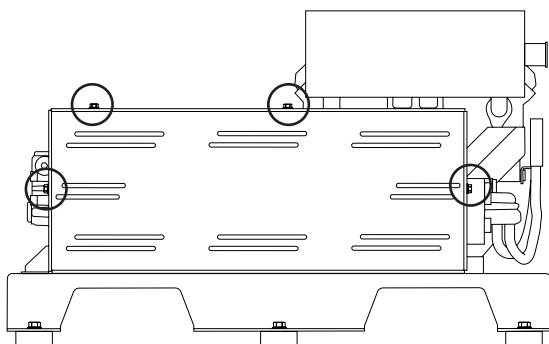
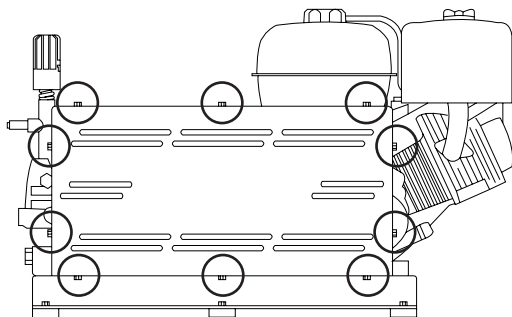
1. Afloje el tapón de llenado de aceite de la caja de cambios/tapa de ventilación.
2. Coloque un recipiente debajo del tapón de la manguera de drenaje de aceite.
3. Retire el tapón de la manguera de drenaje de aceite.
4. Una vez drenado el aceite, inserte el tapón de la manguera de drenaje de aceite; apriete firmemente.
5. Rellene con aceite totalmente sintético SAE 75W-90.
6. Asegúrese de que el nivel de aceite alcance pero no supere el punto en el centro de la mirilla.
7. Inserte el tapón de llenado de aceite; apriételo firmemente.

Mantenimiento de la correa (si es aplicable)

Mantener la cantidad adecuada de tensión en las correas prolonga su vida útil y al mismo tiempo garantiza que se cumplan los parámetros operativos adecuados. La forma más sencilla de determinar la tensión es midiendo la cantidad de deflexión en las correas.

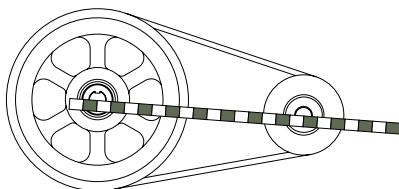
Quitar el protector de la correa de transmisión

1. Desconecte los cables de las bujías de las bujías. Déjelos colgar lejos de las bujías.
2. Con una llave para tuercas de 3/8", afloje y luego retire los pernos de montaje en la parte superior, inferior y/o laterales de la protección de la correa exterior. Retire la protección exterior de la correa del marco y colóquela a un lado.

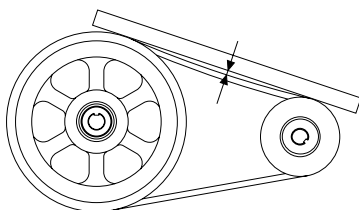


Medición de la desviación de la correa

3. Con el uso de una cinta métrica o una vara, mida desde el centro del eje del motor hasta el centro del eje de la bomba. Multiplique esta medida por 1/64. Por ejemplo, una medida de 12" multiplicada por 1/64 equivale a 0,1875" (3/16"). Esta medida es la cantidad máxima de deflexión que debe medir en las correas de transmisión.

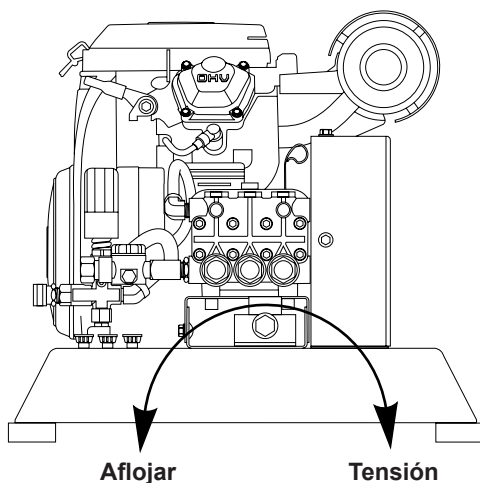
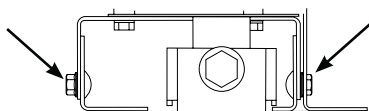


- Coloque una regla encima de los cinturones. Con el dedo índice, empuje hacia abajo las correas centradas entre las poleas. Con una regla, mida la distancia entre la parte superior de los cinturones y la parte inferior de la regla. Si la medida excede el cálculo del Paso 3, es necesario apretar los cinturones.



Ajuste del tensor de la bomba

- Con una llave de $9/16$ " , afloja los pernos de carro a cada lado del tensor de la bomba. No retire completamente los pernos del carro.
- Usando una llave de $15/16$ " , gire el perno en el sentido de las agujas del reloj para apretar la correa. Si fuera necesario aflojar la correa, gire el perno en el sentido contrario a las agujas del reloj.



- Una vez que se haya logrado la tensión adecuada de la correa, apriete los pernos de carro en el tensor de la bomba usando una llave de $9/16$ " .
- Deslice el protector de la correa de transmisión en su lugar. Enrosque los pernos de montaje y luego apriételos con una llave para tuercas de $3/8$ " .
- Vuelva a conectar los cables de las bujías.

Mantenimiento del motor

Antes de cada uso, revise el motor en busca de piezas sueltas o dañadas, signos de fugas de aceite o combustible y/o cualquier otra condición que pueda afectar la operación correcta. Mantenga siempre todas las protecciones de seguridad en su lugar y en buen estado de operación. Repare o reemplace todas las partes dañadas o defectuosas inmediatamente.

Por razones de seguridad, el fabricante recomienda que todos los servicios y reparaciones del motor (incluyendo los dispositivos y sistemas de control de emisiones) sean realizados por un centro de servicio autorizado. Todos los reemplazos o reparaciones bajo garantía deben ser realizados por un centro de distribución o servicio autorizado. Para encontrar un centro de servicio autorizado cerca de usted, obtener información sobre cómo hacer un reclamo de garantía o hacer arreglos para reparaciones de garantía autorizadas, llame al 1-833-362-7368 o envíe un correo electrónico a cservice@fna-group.com.

Para cualquier otra información sobre el mantenimiento del motor, consulte el manual del motor.

ALMACENAMIENTO Y TRANSPORTE

Almacenamiento durante dos meses o menos

1. Llene el tanque de combustible de acuerdo con la sección LISTA DE VERIFICACIÓN DE OPERACIÓN de este manual y después agregue un estabilizador de combustible conforme a las recomendaciones del fabricante. **NOTA:** El uso de un estabilizador de combustible (se vende por separado) al almacenar gasolina puede ayudar a prevenir problemas relacionados con los combustibles mezclados con alcohol en los motores de equipos eléctricos para exteriores. Siempre siga las instrucciones proporcionadas por el fabricante del estabilizador de combustible para mezclar y usar correctamente.
2. Complete los pasos de las secciones LISTA DE VERIFICACIÓN DE OPERACIÓN, CONEXIÓN DE MANGUERAS y CEBADO DE LA BOMBA de este manual.
3. Arranque el motor conforme a la sección ARRANQUE de este manual y hágalo funcionar durante diez (10) minutos para permitir que el combustible estabilizado circule por todo el sistema de combustible. Asegúrese de apretar el gatillo para que el agua fluya a través de la bomba y la pistola rociadora para evitar el sobrecalentamiento.
4. Gire el interruptor del motor a la posición APAGADO.
5. Cierre el suministro de agua. Retire la manguera de suministro de agua.
6. Apriete el gatillo de la pistola rociadora para aliviar la presión en la manguera y la bomba, después drene la manguera de alta presión. Desconecte la manguera de alta presión de la bomba y la pistola rociadora.
7. Deje que el motor se enfríe completamente.
8. Proteja la bomba utilizando Pump Guard SIMPSON® conforme la sección USO DE PUMP GUARD de este manual.
9. Guarde la lavadora a presión en un área limpia y seca, alejada de la luz solar directa.

Almacenamiento durante más de dos meses

1. Asegúrese que el motor esté completamente frío.
2. Retire todo el combustible del tanque de combustible, las líneas de combustible y el carburador aflojando el tornillo de drenaje en la parte inferior del carburador y drene el combustible en un recipiente apropiado.
3. Cambie el aceite del motor.
4. Retire la suciedad y los escombros del área alrededor de la bujía, luego use un enchufe de bujía o una llave para quitar la bujía.
5. Vierta .5 onzas (15 ml) de aceite nuevo en la cámara de combustión del motor, luego arranque lentamente el motor tirando del retroceso dos (2) veces para distribuir el aceite y lubricar el cilindro.
6. Instale la bujía.
7. Desconecte el cable negro negativo (-) de la batería (si está equipado).
8. Desconecte el cable rojo positivo (+) de la batería (si está equipado).
9. Vacíe la manguera de alta presión.
10. Se recomienda usar SIMPSON Pump Guard o un equivalente cuando se almacena la unidad durante más de 30 días y/o cuando se esperan temperaturas bajo cero.
11. Guarde la lavadora a presión en un área limpia y seca, alejada de la luz solar directa.

Transporte



ADVERTENCIA:

TRANSPORTE

Dejar la lavadora a presión en un espacio cerrado donde la temperatura pueda aumentar en un vehículo de transporte puede hacer que el combustible se vaporice y posiblemente explote. Los incendios y explosiones pueden causar quemaduras graves y/o la muerte. Para evitar fugas o vaporización de combustible, asegure la lavadora a presión en un área bien ventilada fuera de la luz solar directa y otras fuentes de calor y no transporte la lavadora a presión en carreteras en mal estado a menos que el combustible se haya drenado previamente.

1. Gire el interruptor de control del motor a la posición APAGADO.
2. Gire la válvula de combustible a la posición OFF (si está equipado).
3. Para evitar derrames de combustible durante el transporte, mantenga la lavadora a presión en posición vertical sobre una superficie nivelada.
4. Cuando se cargue en un vehículo, asegure la lavadora a presión con correas o amarres para evitar que se vuelque y se dañe por deslizamiento.

NOTA: No opere la lavadora a presión mientras esté en el vehículo de transporte.

USO DE PUMP GUARD SIMPSON®



AVISO

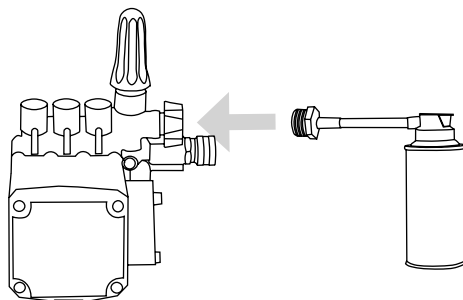
DAÑO DE LA BOMBA

Dejar agua dentro de la bomba durante un clima helado causará daños severos a la bomba. Para evitar daños costosos, siempre trate la bomba con Pump Guard SIMPSON® para eliminar el agua atrapada y llenar la bomba con una solución lubricante y anticongelante.

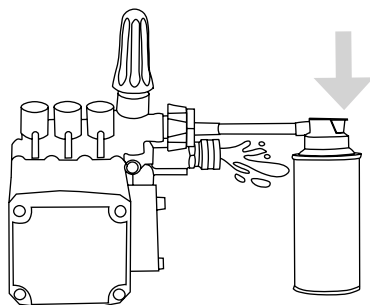
Pump Guard SIMPSON® (se compra por separado) está formulado para proteger su bomba durante el almacenamiento a largo plazo y contra daños por congelamiento. Pump Guard debe usarse durante toda la temporada para mantener los sellos flexibles y bien lubricados. Antes de almacenar la unidad para el invierno o para cuando haya posibilidad de heladas, use Pump Guard para eliminar todo rastro de agua de las cavidades internas mientras las llena con una solución anticongelante. Pump Guard es un seguro para su inversión, utilícelo.

Simplemente use Pump Guard siguiendo estos sencillos pasos:

1. Atornille el adaptador Pump Guard en la entrada de la manguera de jardín de la bomba.



2. Mantenga presionado el botón hasta que toda el agua y Pump Guard comiencen a salir del puerto de alta presión.



3. Desenrosque el Pump Guard y luego prepare la lavadora a presión para almacenarla como se describe en ALMACENAMIENTO Y TRANSPORTE.

GARANTÍA LIMITADA COMERCIAL

TÉRMINOS DE LA COBERTURA DE LA GARANTÍA:

El fabricante de este producto se compromete a reparar o reemplazar las partes designadas que resulten defectuosas dentro del período de garantía que se indica a continuación, a discreción exclusiva del fabricante. Se aplican limitaciones / extensiones y exclusiones específicas.

Esta garantía cubre defectos de material y mano de obra y no fallas de partes debido al desgaste normal, depreciación, abuso, daño accidental, negligencia, uso inadecuado, mantenimiento, calidad del agua o almacenamiento. Para realizar una reclamación de acuerdo con los términos de la garantía, todas las partes que se consideren defectuosas deben conservarse y estar disponibles para su devolución previa solicitud a un Centro de servicio de garantía designado para la inspección de la garantía. Los juicios y decisiones del fabricante con respecto a la validez de las reclamaciones de garantía son finales.

Estas garantías pasan al usuario final y no son transferibles. Como Centro de servicio de garantía capacitado y autorizado por la fábrica, la fábrica respetará los términos de todas las garantías de los componentes y cumplirá los reclamos de las disposiciones de garantía correspondientes.

Esta garantía reemplaza todas las demás garantías, expresas o implícitas, incluyendo, entre otras, las garantías de comerciabilidad o idoneidad para un propósito particular y todas las garantías tales quedan excluidas y rechazadas por el fabricante. La obligación de garantía del fabricante se limita a la reparación y reemplazo de productos defectuosos de acuerdo con lo dispuesto en este documento y el fabricante no será responsable de ninguna pérdida, daño o gasto adicional, incluyendo daños por envío, accidente, abuso, casos fortuitos, mal uso o negligencia. Tampoco lo es el daño por reparaciones utilizando partes no compradas al fabricante o las alteraciones realizadas por personal no autorizado por la fábrica. No instalar y operar el equipo de acuerdo con las pautas establecidas en el manual de instrucciones anulará la garantía.

ESTA GARANTÍA NO CUBRE:

Daños resultantes del envío (los reclamos deben presentarse con el transportista), accidente, abuso, caso fortuito, mal uso o negligencia. Esta garantía tampoco cubre daños por reparaciones o alteraciones realizadas por personal no autorizado por la fábrica o por no instalar y operar el equipo de acuerdo con las pautas establecidas en el manual de instrucciones. El fabricante no será responsable ante ninguna persona por daños consecuentes, lesiones personales o pérdidas comerciales.

RESPONSABILIDAD DEL COMPRADOR ORIGINAL (USUARIO INICIAL):

Para procesar un reclamo de garantía en su lavadora a presión SIMPSON®, informe la inquietud al 1-833-362-7368 o cservice@fna-group.com para autorización y dirección al centro de servicio autorizado más cercano en su área. Conserve el recibo de venta original de la caja registradora como prueba de compra para el trabajo de garantía. Tenga un cuidado razonable en la operación y mantenimiento del producto como se describe en el (los) Manual(es) del Operador.

QUÉ NO CUBRE ESTA GARANTÍA:

- Daños por flete
- Daños por deterioro químico, agua salada, óxido o corrosión
- Daños causados por partes o accesorios no obtenidos de un distribuidor autorizado o no aprobados por el fabricante
- Desgaste normal de partes móviles o componentes afectados por partes móviles
- Piezas consumibles como: Filtro de combustible, filtro de aire, bujía(s), cuerda de arranque de retroceso, aceite y lubricante(s)
- Trabajo de mantenimiento periódico normal, como la limpieza del carburador y el drenaje del aceite del motor
- Daños por congelamiento

MOTOR Y SISTEMA DE CONTROL DE EMISIONES:

Cubierto por la garantía del fabricante del motor. Consulte el manual del motor para obtener más detalles.

BOMBA DE ALTA PRESIÓN (DEFECTOS DE MATERIAL Y MANO DE OBRA):

CINCO (5) años a partir de la fecha de compra.

MARCO (DEFECTOS EN MATERIALES Y MANO DE OBRA):

DIEZ (10) años a partir de la fecha de compra.

ACCESORIOS (DEFECTOS DE MATERIAL Y MANO DE OBRA):

Incluye boquillas, mangueras, pistolas rociadoras, varillas, llantas, patas
Noventa (90) días a partir de la fecha de compra.



LEA ESTE MANUAL DETENIDAMENTE ANTES DE LA OPERACIÓN

El incumplimiento de las instrucciones y precauciones de seguridad de este manual puede provocar daños a la propiedad, lesiones graves y/o la muerte.

CONSERVE ESTE MANUAL PARA FUTURA REFERENCIA

Copyright © 2025 FNA Group, Inc. Todos los derechos reservados.