



## PRODUCT MANUAL

Email: [cs@lasfit.com](mailto:cs@lasfit.com)

Call: (909) 758-7900

Office Hours: Monday --Friday 9:00 am-5:30 pm (PST)



## CATALOGUE

- I Important Notice
- II Installation Guide
- III Fit Size
- IV CK and Standard Socket
- V Product Specification
- VI Customer Support

## I Important Notice

### Package Contents:

2 pcs LASFIT LED Kits.

### Customer support:

Email: [cs@lasfit.com](mailto:cs@lasfit.com)

Call: (909) 758-7900

Office Hours: Monday --Friday 9:00 am-5:30 pm (PST)

### Please Note:

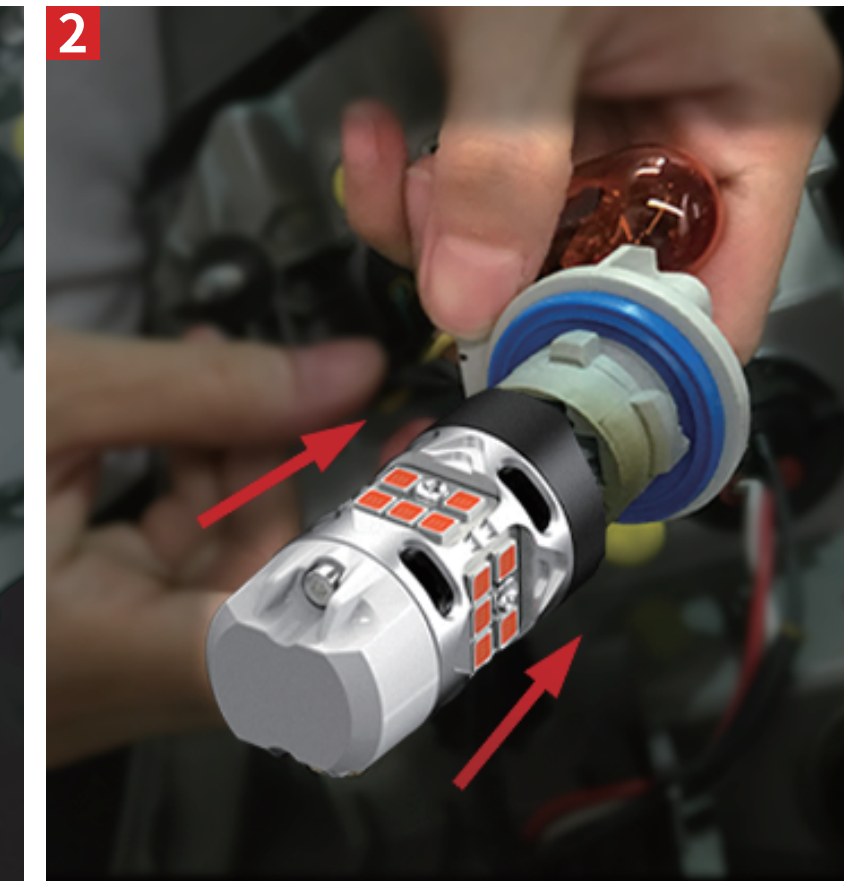
- 1) For safety consideration, please disconnect the power from your vehicle battery before installation.
- 2) The 3157, 4257, 7443 LED bulbs are polarity sensitive. If the LED does not light up after inserting, simply remove it, flip the direction and reinstall.
- 3) The Canbus Ready Red/Amber 3157, 7443, 1157 don't work for the vehicles that use one bulb for **Brake light, Tail light and Rear Turn Signal**, such as GMC Sierra, Chevrolet Colorado, Chevrolet Silverado, Nissan Titan, Ford F series, Dodge Ram, or other pickup/lorry/truck rear turn signal, they will hyper flash.

## II Installation Guide

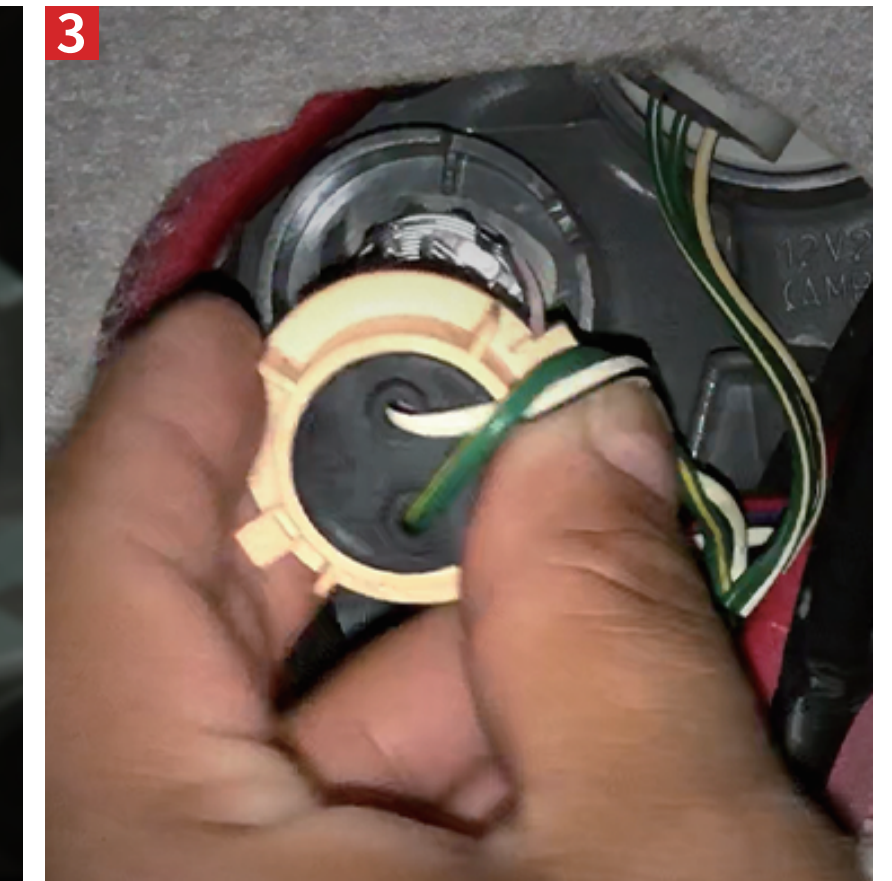
Universal Installation Steps (for reference only) 3157, 7443, 1156, 1157, BAU15S



Remove the original bulb



Connect the LED Bulb



Secure the Bulb

**Step 1** Removing the Original Bulbs

- 1) Open the hood of the vehicle and find the installation location of the halogen bulb
- 2) Disconnect the power plug
- 3) Take out the halogen bulb from the bulb housing directly

**Step 2** Plug In and Test(Important and necessary)

1) DO NOT complete the installation, just simply connect the power plug, and place the LED bulb in a safe area, then activate it.

Possible results:

A: If the LASFIT LED Kits light up, proceed to "step 3".

B: No light (3157, 4257, 7443 etc.) Disconnect the bulbs from your vehicle plug, flip over the plug to reverse the positive and negative, and reconnect.

**Step 3** Complete installation

After successfully testing each LED bulb, swirl them into the housing and secure by rotating into place or reapplying the secure latch.



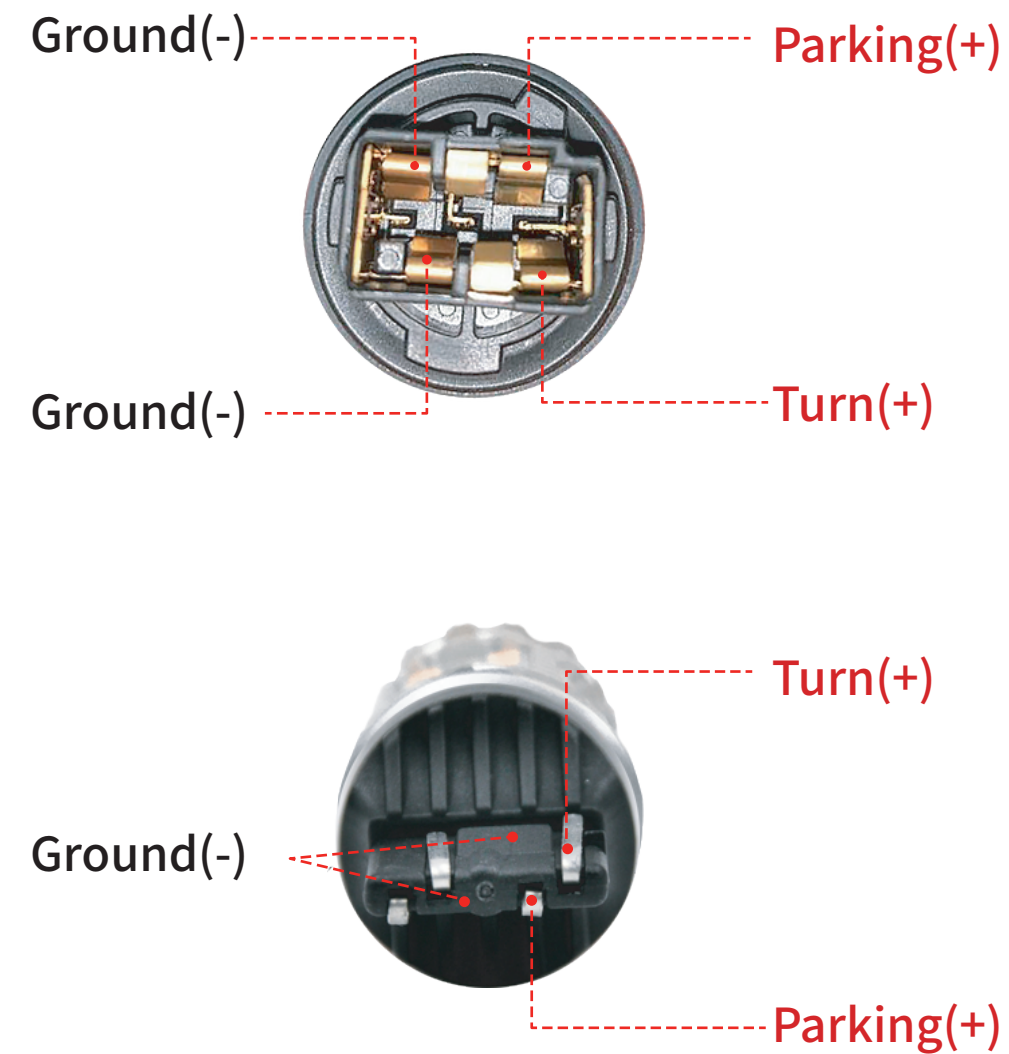
|              |   |
|--------------|---|
| <b>3157</b>  | 3056, 3456, 4156, 3057A, 3357NA, 3047, 3057, 3155, 3357, 3454, 3457, 4057, 4157, 3757   |
| <b>7443</b>  | 7444, 7441, 992, 992A, W21W, 7440A, 7440AL, 7440NA, 7440LL, 7440ST, 7441, W21W, WY21W   |
| <b>BAU5S</b> | 7507, PY21W, 1156PY, 12496  |
| <b>1156</b>  | BA15S, 1073, 1093, 1129, 1141, 1159, 1259, 1459, 1619, 1651, 1680, 5007, 5008, 7506, 7527   |
| <b>1157</b>  | BAY15D, 7528, 2057, 2357, 3496, 1157A, 1016, 1034, 1076, 1130, 1152, 1154, 1158, 1493, 2057, 2357, 2396, 2397, 3496, 3497, 7528, 12499, 12594, P21/5W |



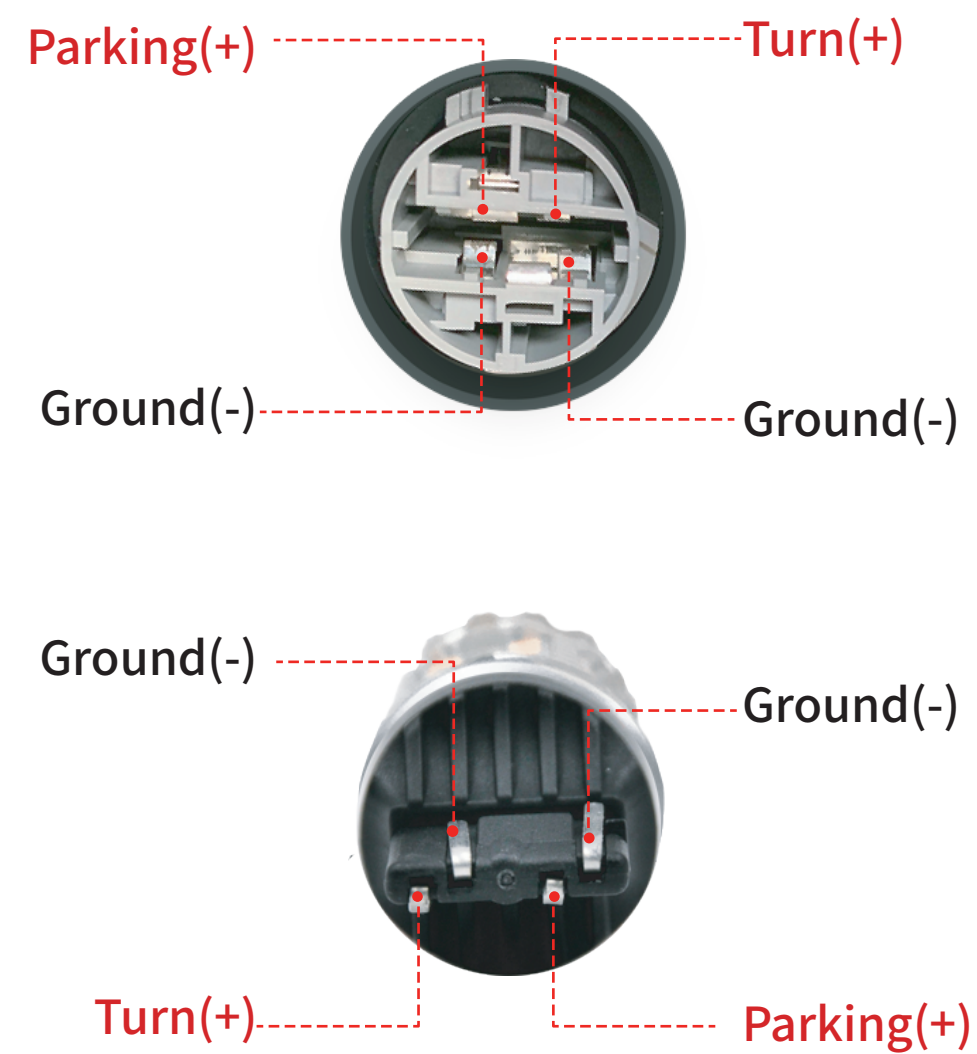
# IV CK and Standard Socket

The canbus ready 7443 bulbs have CK and Non-CK circuits when replace the front turn signal, some vehicles may require CK specific sockets. If you are not sure, please feel free to contact us via message.

## Standard 7443 Socket

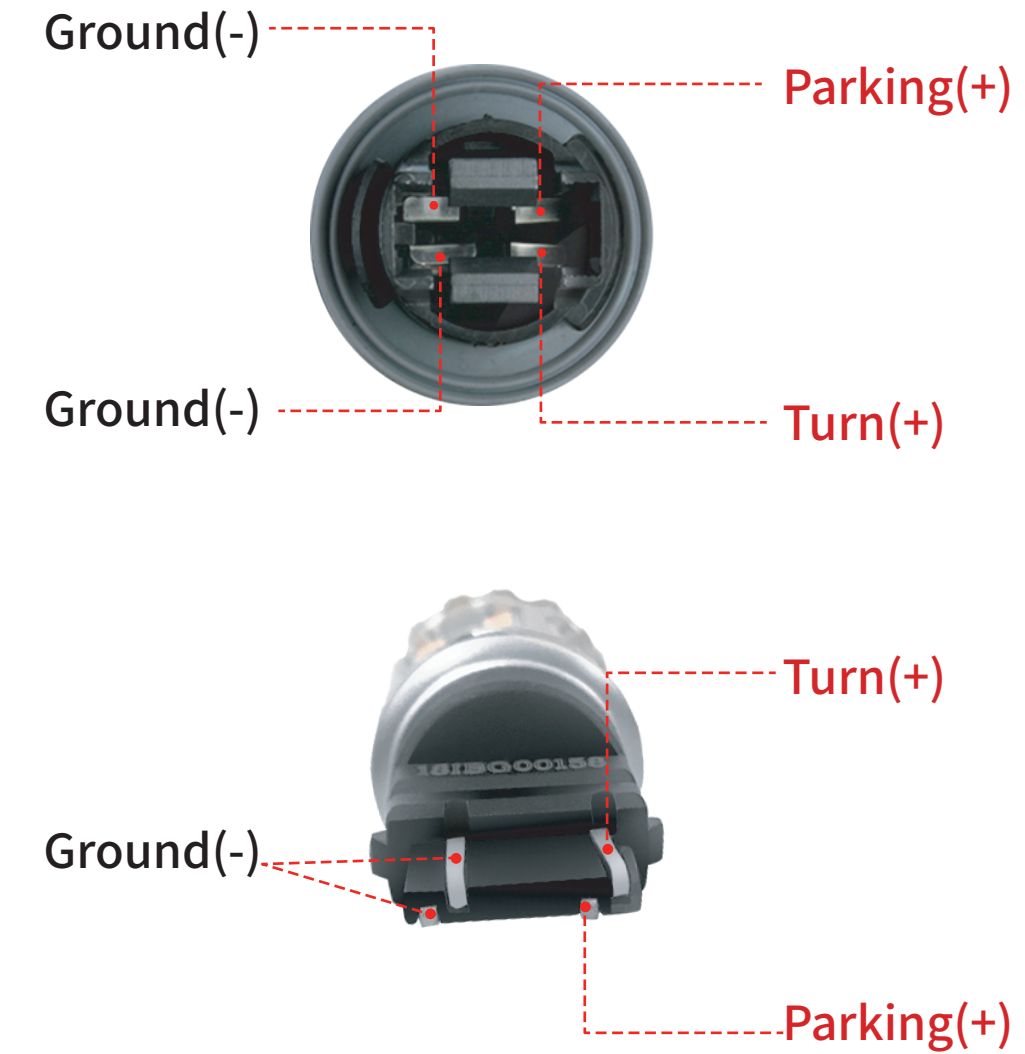


## CK Wiring 7443 Socket

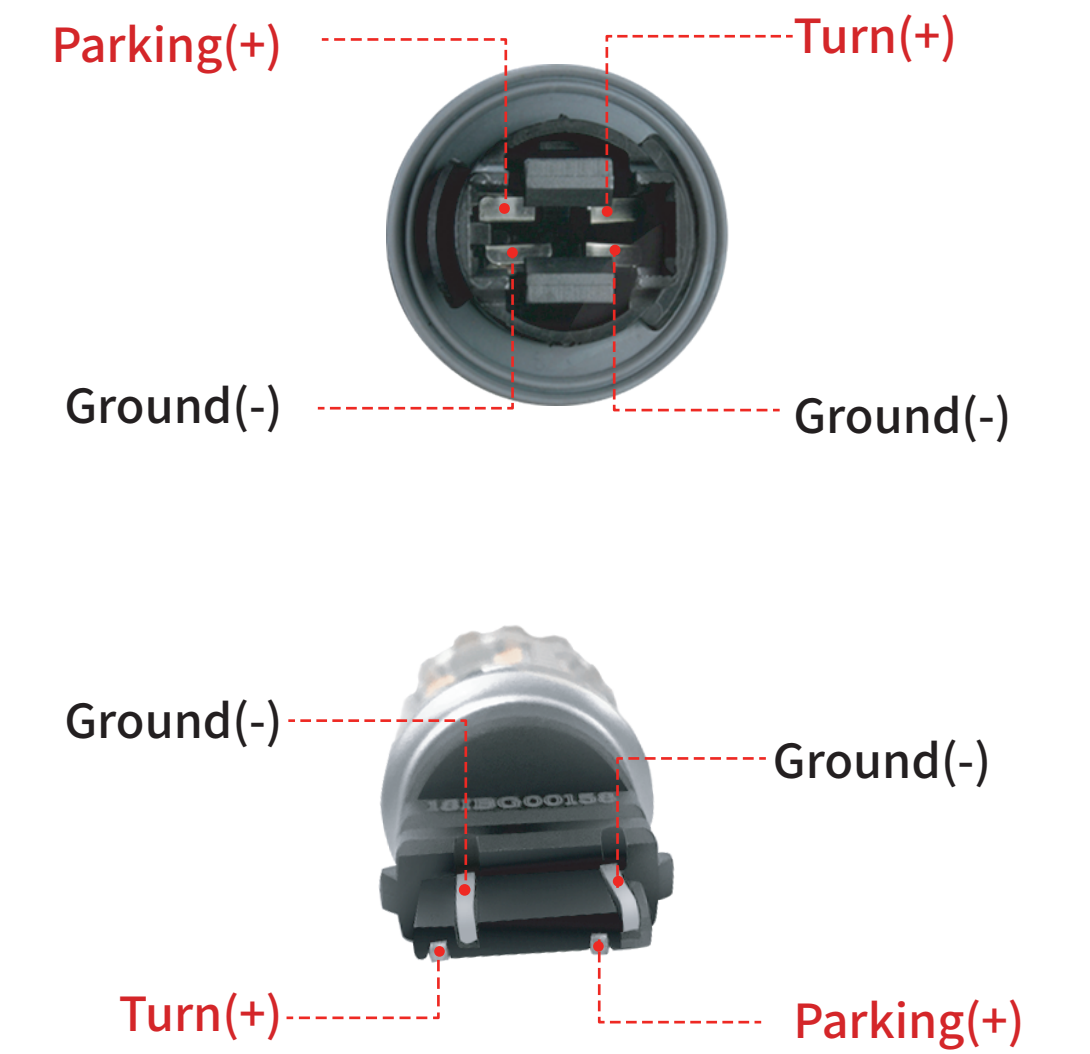


The canbus ready 3157 bulbs have CK and Non-CK circuits when replace the front turn signal, some vehicles may require CK specific sockets. If you are not sure, please feel free to contact us via message.

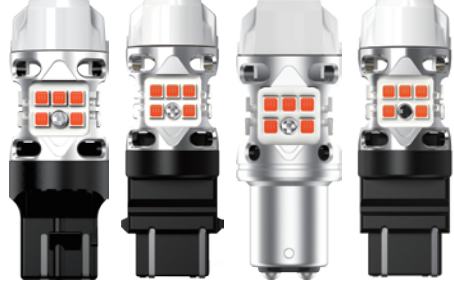


## Standard 3157 Socket



## CK Wiring 3157 Socket



## V Product Specification

| Model         | T3-7443A/3157A/1156A/1157A/4257A   | T3-7443D/3157D/1157D/4257D   | T3-7443R/3157R/1156R/1157R/4257R  |
|---------------|--|--|---|
|               |   |  |  |
| Position      | Turn Signal  | Front Turn Signal Only   | Brake/TailLight   |
| Luminous Flux | 2000LM/Bulb  | 2000LM/Bulb  | 2000LM/Bulb   |
| Input Wattage | 24W/Bulb   | 24W/Bulb   | 24W/Bulb  |
| Canbus Ready  | Yes  | Yes  | Yes   |
| Light Color   | Amber  | (Switchback)Amber & White  | Red   |
| Light Source  | 20pcs 3030SMD LED Chips  | 20pcs 3030SMD LED Chips  | 20pcs 3030SMD LED Chips   |
| Plug n Play   | Yes  |  |   |
| Lifespan      | 30000 Hours  |  |   |
| Warranty      | 12 Months  |  |   |
| Note          | <p>1. If the 3157/4157, 7443/7444, 4257 bulb doesn't light up, please flip the polarity and try again.</p> <p>2. OEM 3157/4157, 7443/7444 bulbs have CK and Non-CK socket, contact us to confirm if you are not sure.</p> <p>3. LASFIT Customer Support will always with you. Any questions, contact us by in any way.</p> |  |   |

## VI Customer Support



45 Days Money-Back  
Return/Exchange



1 Year Hassle Free  
Warranty



Free  
Shipping



Customer Support Team  
in Rancho Cucamonga, California

Email: [cs@lasfit.com](mailto:cs@lasfit.com)

Call: (909) 758-7900

Office Hours: Monday --Friday 9:00 am-5:30 pm (PST)

**LASFIT**<sup>®</sup>  
THE SAFE & STYLISH AUTO LED LIGHTING