



# TRAVELMATE PORTABLE HEATER

Model No. BH80



- Oxygen depletion system - enhanced safety device which senses oxygen levels and switches off the entire unit when at a low level
- Includes safety 'tip-over' switch that halts the supply of gas to the unit should it be accidentally knocked over
- Flame failure safety system - if flame goes out, gas shuts off
- Pressure sensing safety shut off system - enhanced safety device which senses if pressure becomes too high, the cartridge is ejected
- Powerful 7MJ/h ceramic burner delivers even heat transfer
- Integrated piezo ignition for easy lighting
- Weighs only 2.1Kg (without gas cartridge)
- Fully portable with carry handle
- Operates on Gasmate bayonet cartridge (G4210 - not included)
- Gas certified to Australian and New Zealand Standards

---

**Important: Retain these instructions for future use.**

---

Gasmate® is a registered trademark of: Sitro Group Australia Pty Ltd [www.gasmate.com.au](http://www.gasmate.com.au)  
Aber Holdings Ltd - Hamilton, N.Z. [www.gasmate.co.nz](http://www.gasmate.co.nz)

03449 01/17



## IMPORTANT

**Read these instructions for use carefully. Familiarise yourself with the appliance before connecting it to its gas container. Keep these instructions for future reference.**

### **ONLY USE IN WELL-VENTILATED AREAS.**

#### **CARBON MONOXIDE HAZARD!**

**Using this appliance in an enclosed space may cause death. Do Not use in caravans, tents, marine craft, cars, mobile homes or similar locations.**

- Do not modify this appliance.
- Check that seals between the appliance and the gas container are in place and in good condition before connecting the gas container.
- Do not use the appliance if it has damaged or worn seals.
- Do not use this appliance if it is leaking, damaged or does not operate properly.
- Check that burners are extinguished before disconnecting the gas cartridge.
- Check the gas cartridge is empty before removing it.
- Change the gas cartridge outside and away from people.
- If the flame height appears excessively high or low or soot is being deposited stop using the heater and have it serviced.
- This appliance must only be serviced by an authorized person every year.
- The openings at the base of the burner provide air for combustion, they should never be obstructed. If the flame becomes significantly orange check these openings for a blockage.
- If the appliance cannot be adjusted to perform correctly it should not be used until serviced or repaired.
- To check that the gas container is filled, when shaken a sloshing sound will be heard.

**CAUTION:** accessible parts may be very hot. Keep young children away.

### **USE OUTDOORS ONLY.**

#### **BUTANE PRODUCT**

This appliance shall only be used with a 100% butane gas cartridge certified to EN417 or equivalent.

#### **IT MAY BE HAZARDOUS TO ATTEMPT TO FIT OTHER TYPES OF GAS CONTAINERS.**

Only change the gas cartridge in a well ventilated location, preferably outside, away from people and any source of ignition, such as naked flames, pilot flames, and electric heaters/equipment.

Only use in well ventilated areas (minimum ventilation required 5m/h) to avoid the dangerous build up of unburned gases. This heater is designed for use outdoors away from any inflammable material. The heater must be used on a level, stable, non-flammable surface. The appliance should be protected from direct draughts.

If there is a leak on your appliance (smell of gas) and you cannot stop the gas flow, remove the appliance to a well-ventilated location away from any ignition source. Check for leaks using soapy water. Do not try to detect leaks using a flame.



## WARNING

- **DO NOT MOVE HEATER WHEN ALIGHT**
- **BUTANE CARTRIDGES SHOULD BE STORED OUTDOORS IN A WELL VENTILATED AREA OUT OF REACH OF CHILDREN. ANY INDOOR STORAGE SHALL COMPLY WITH AS/NZS 1596.**

## GENERAL INFORMATION

### INSTRUCTIONS FOR USE:

1. Remove heater from the carton and remove any transit protection material. The appliance must be placed on level ground.
  - a. The appliance area must be kept clear and free of combustible materials, gasoline and other flammable vapours and liquids.
  - b. Gas orifices and burner must be kept clear of dirt and cobwebs. Flow of combustion and ventilation air through the perforated portions of the appliance must not be obstructed.
  - c. Any cleaning agent used on the appliance should be of a non-combustible and non-corrosive nature.
2. Proper clearance from combustible materials must be maintained at all times.

#### Minimum Clearance from Combustibles:

Side 600mm Top 600mm

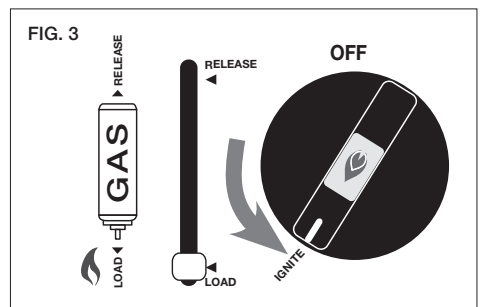
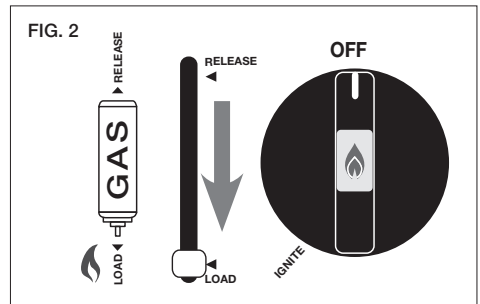
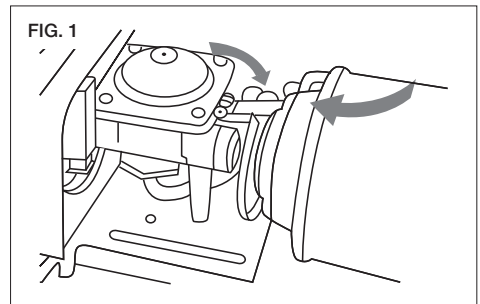
Combustible materials are considered to be wood, compressed paper, plant fibres, plastic, plexiglas or other materials capable of being ignited and burned. Such materials shall be considered combustible even though flame proofed, fire-retardant treated or plastered. Additional clearance may be required for glass, painted surfaces and other materials which may be damaged by radiant or convection heat.

3. Check that the seals between the appliance and the gas cartridge are in place and in good condition before connecting the gas container.
4. Ensure the cartridge lever is in its uppermost position (OFF).
5. Close the control valve by turning knob clockwise.
6. Remove the cap from the gas cartridge. Open the cartridge cover on the rear of the heater, check the sealing washer is in position and in good condition.
7. Insert the cartridge, valve first, so that the slot in the cartridge aligns with the valve tab (see fig.1). Close the cartridge cover.
8. Engage the cartridge by pressing the cartridge lever downwards (See fig.2). DO NOT force this lever. If you hear "hissing" noise the cartridge has not been correctly fitted and you should repeat the connection procedure.
9. Turn the control valve fully anti-clockwise until the ignition device "clicks" (See fig.3). If ignition does not occur, repeat this process.
10. Extinguish by turning control knob fully clockwise and releasing (pushing up) the cartridge lever. Check that heater is fully extinguished before leaving unattended.

### SAFETY DEVICES

This heater is equipped with a safety device that will stop the flow of gas if the pressure in the cartridge becomes too high. This may be as a result of overheating. This device will automatically reset and will allow continued use once the pressure in the gas cartridge returns to normal.

**WARNING: NEVER force the cartridge lever as this will result in permanent damage.**



## AFTER USE

Turn the control knob to the 'OFF' position (fully clockwise) and push the cartridge lever up to its off position.

In an emergency the heater can be switched off by pushing the cartridge lever upwards.

For your own safety, always remove the gas cartridge after use.

Fit the cartridge with its protective cap and store in a cool well ventilated place.

## REMOVING THE CARTRIDGE

Check that the heater is off by turning control knob fully clockwise, releasing the cartridge lever (push up) and checking that the heater has fully extinguished.

Only change the gas cartridge in a well ventilated location, preferably outside, away from people and away from any sources of ignition; such as naked flames, pilot flames, electric heaters/equipment.

## STORAGE

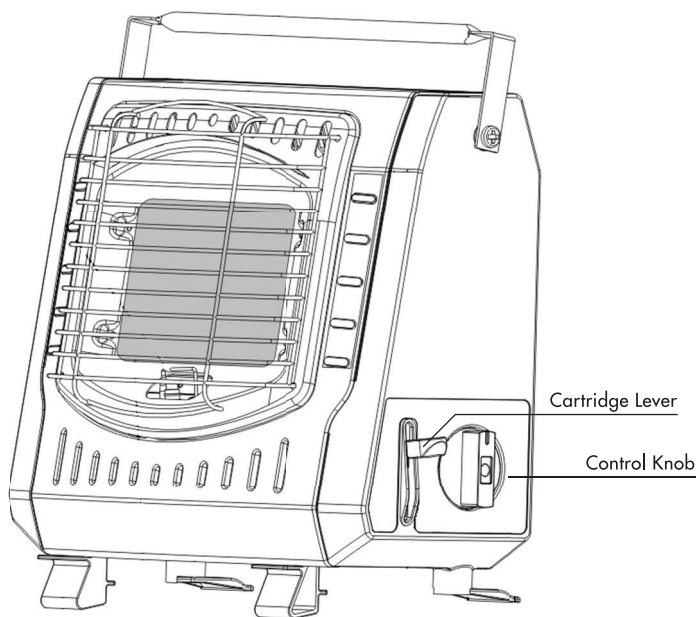
Once fully cooled, disconnect the heater from the cartridge and store both in a cool, well-ventilated place.

## MAINTENANCE

**DO NOT MODIFY THIS APPLIANCE.** If there is a leak on your appliance (smell of gas) and you cannot stop the gas flow, remove the appliance to a well-ventilated location away from any ignition source. Only check for leaks outdoors using soapy water. **DO NOT** try to detect leaks using a flame.

This appliance must only be serviced by an authorised person. Keep the heater clean by wiping with a damp cloth. Avoid dust and other debris entering the heater.

If the heater fails to operate contact your dealer or our service department. If the appliance cannot be adjusted to perform correctly it should not be used until serviced or repaired.



GAS CONSUMPTION	g/h	MJ/h	BTU	Injector
BH80	140 g/h	7 MJ/h	6,800 BTU	0.54mm

# SAFE APPLIANCE LOCATIONS

This appliance shall only be used in an above ground open-air situation with natural ventilation, without stagnant areas, where gas leakage and products of combustion are rapidly dispersed by wind and natural convection.

Any enclosure in which the appliance is used shall comply with the following:

An enclosure with walls on all sides, but at least one permanent opening at ground level and no overhead cover (see Example 1).

Within a partial enclosure that includes an overhead cover and no more than two walls (see Example 2 & 3).

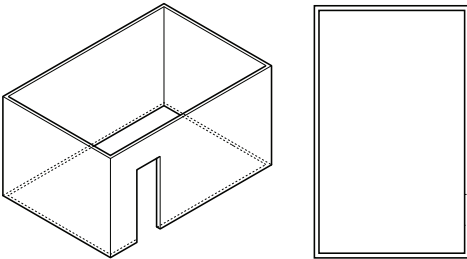
Within a partial enclosure that includes an overhead cover and more than two walls, the following will apply:

at least 25% of the total wall area is completely open, and at least 30% of the remaining wall area is open and unrestricted (see Example 4 & 5).

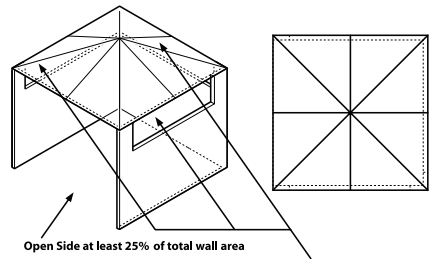
In the case of balconies, at least 20% of the total wall area shall be and remain open and unrestricted.

## DIAGRAMMATIC REPRESENTATIONS OF OUTDOOR AREAS

The following figures are diagrammatic representations of outdoor areas. Rectangular areas have been used in these figures – the same principles apply to any other shaped area.

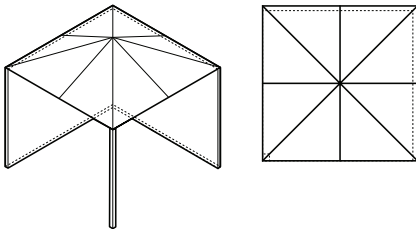


**Outdoor Area - Example 1**

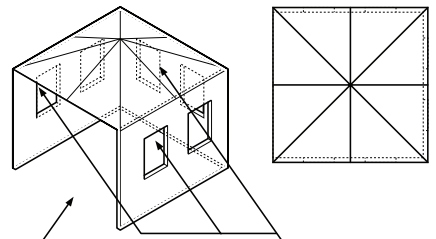


**Open Side at least 25% of total wall area**  
30% or more in total of the remaining wall area is open and unrestricted

**Outdoor Area - Example 4**

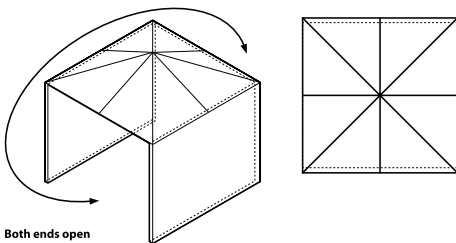


**Outdoor Area - Example 2**



**Open Side at least 25% of total wall area**  
30% or more in total of the remaining wall area is open and unrestricted

**Outdoor Area - Example 5**



**Both ends open**

**Outdoor Area - Example 3**

**For any queries or assistance email**

**[sales@sitro.com.au](mailto:sales@sitro.com.au)**

**Customer Service**  
(Australia Only)

**Do not return to place of purchase.**  
Your purchase receipt will be required for warranty claims.

**Gasmate®**