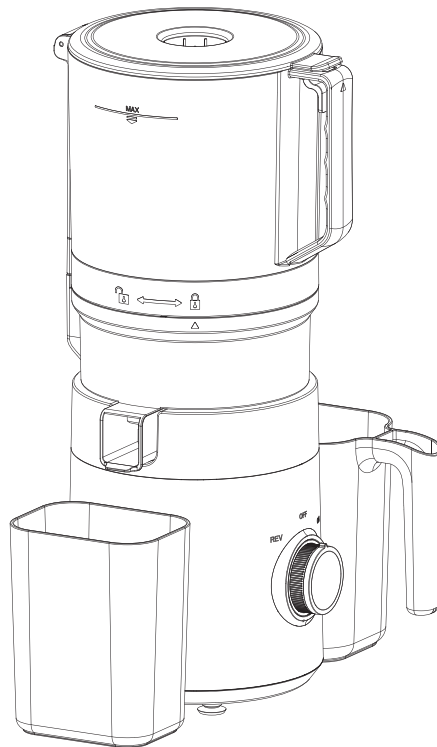


Aeitto

SLOW JUICER USER MANUAL

MAX6



Before using the device for the first time, please read through these operating instructions carefully and keep them for future reference and other users. They form an integral part of the device.

CONTENTS

PRECAUTIONS FOR SAFETY USE	01
KNOW YOUR JUICER	03
HOW TO ASSEMBLE	04
HOW TO USE	07
HOW TO DISASSEMBLE & CLEAN	09
MAINTENANCE	12
TROUBLE SHOOTING	12
SPECIFICATIONS	14
WARRANTY	14





**REGISTER
NOW!**

for an additional
**12 months
Warranty**

As a special thank-you for registering your Aeitto unit, you'll automatically receive an additional 12 months added to your limited manufacturer's warranty!

All you need to do is send your order ID to our service Email: support@aeitto.com, or enter your order ID to activate the warranty online at www.aeitto.com/?vipwarranty.

This warranty only cover orders from authorized brand online stores and our official website. We are not responsible for any purchases from other distribution channels.

-  FREE upgrade to FULL Replacement Guarantee - no need to return
-  Once registered, you will be ensured that if anything goes wrong with your product, we will either send you a brand new unit as a replacement (Absolutely FREE) or provide a FULL refund of your order.
-  Get exclusive monthly RECIPE updates.
-  Just send your Order ID to Email support@aeitto.com or enter your order number online at www.aeitto.com/?vipwarranty or scan the QR code to activate the extended warranty.



Send:

Subject:

Order ID:

Activate Warranty



NOTE: Must register within 7 days after receiving your new product.

PRECAUTIONS FOR SAFETY USE

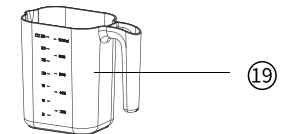
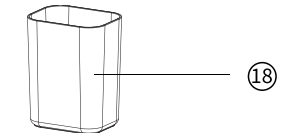
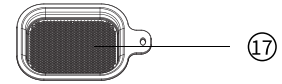
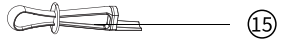
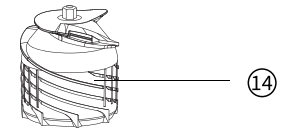
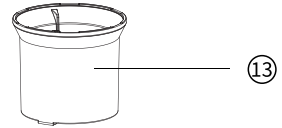
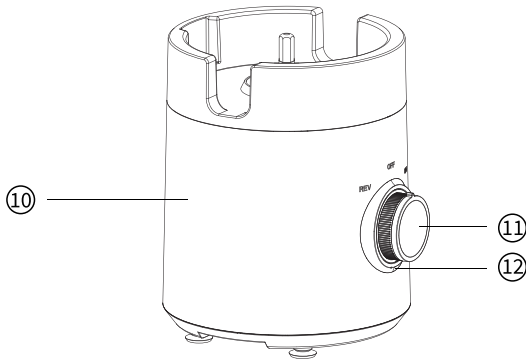
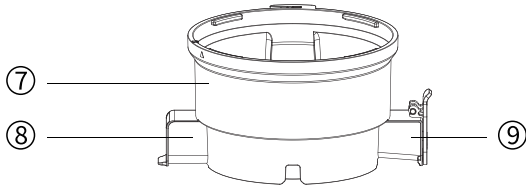
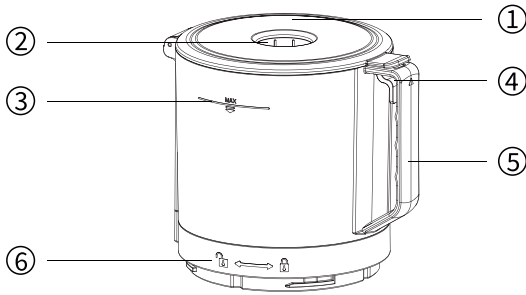
When using electrical appliances, basic safety precautions should always be followed including the following.

• **READ ALL INSTRUCTIONS BEFORE USING.**

1. To protect against electrical shock, do not immerse cord, plug, or main body (motor) in water or other liquid.
2. Close supervision is necessary when any appliance is used by or near children.
3. Unplug from outlet when not in use, before putting on or taking off parts, and before cleaning.
4. Avoid contact with moving, parts. Unplug from outlet when not in use, before putting on or taking off parts, and before cleaning.
5. Do not operate any appliance with a damaged cord or plug or after the appliance malfunctions or has been damaged in any manner. Please contact our customer service(**Email: support@aeitto.com**) for examination, repair, or electrical or mechanical adjustment.
6. The use of attachments not recommended or sold by manufacturer may cause fire,electric shock or injury.
7. Do not let cord hang over edge of table or counter or touch heated surfaces.
8. Always make sure juicer cover is clamped securely in place before motor is turned on. Do not unfasten clamps while juicer is in operation.
9. Be sure to turn switch to OFF position after each use of your juicer. Make sure the motor stops completely before disassembling.
10. Do not put your fingers or other objects into the juicer while it is in operation. If food becomes lodged in opening, use food pusher or another piece of fruit or vegetable to push down the lodged food. when this method is not possible, turn off the machine, remove the plug from wall outlet and disassemble juicer to remove the remaining food.

11. Do not use outdoors.
12. Do not place on or near a hot gas or electric burner or in a heated oven.
13. Do not use appliance for anything other than its intended use.
14. Keep hands and utensils away from moving blades or discs while processing food to reduce the risk of severe injury to persons or damage to the food processor.
15. DO NOT plug in until familiar with all the instructions and operating procedures.
16. DO NOT unplug from electrical outlet by pulling on the cord. To unplug, grasp the plug, not the cord, and pull.
17. Moving parts - Keep fingers out of discharge openings.
18. Do not clean the appliance with steel wool, abrasive cleaning agents or corrosive liquids (such as gasoline or acetone).
19. Always disconnect the appliance from the supply if it is left unattended and before assembling, disassembling or cleaning.

KNOW YOUR JUICER



- | | | |
|--------------------|--------------------------|-------------------|
| ① Hopper cover | ⑦ Container | ⑬ Juicing Chamber |
| ② Additional inlet | ⑧ Pulp outlet | ⑭ Auger |
| ③ Maximum Scale | ⑨ Juice Outlet with Flap | ⑮ Pusher |
| ④ Lever | ⑩ Housing/Motor | ⑯ Cleaning brush |
| ⑤ handle | ⑪ Power knob | ⑰ Pulp Strainer |
| ⑥ Lock/Unlock | ⑫ LED Light | ⑱ Pulp Container |
| | | ⑲ Juice Container |

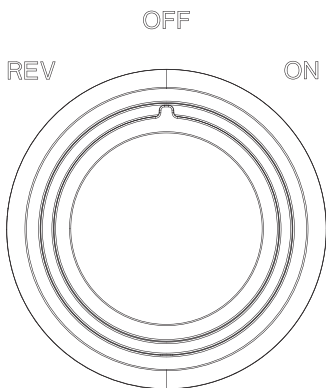
Power Knob (ON/OFF/REV)

“ON”: Switch to “ON” to start.

“OFF”: When juicing finished, switch to “OFF” to stop.

“REV” : Switch to “REV” to back up the ingredients when clogged.

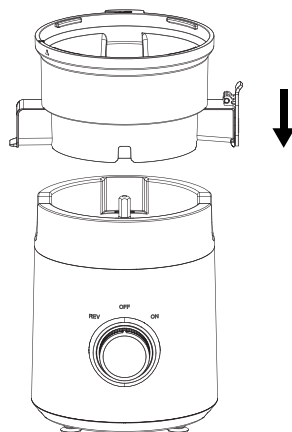
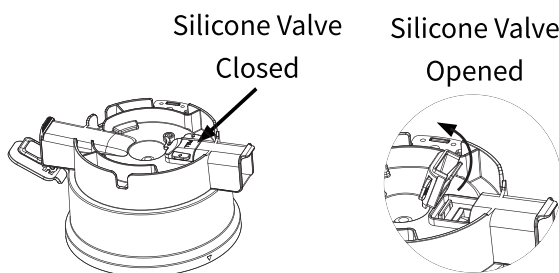
Note: Switch to “REV” and hold to back up. When release, appliance stops.



Note: Before plug in the Power Cord, confirm that Power Button is on “OFF” position.

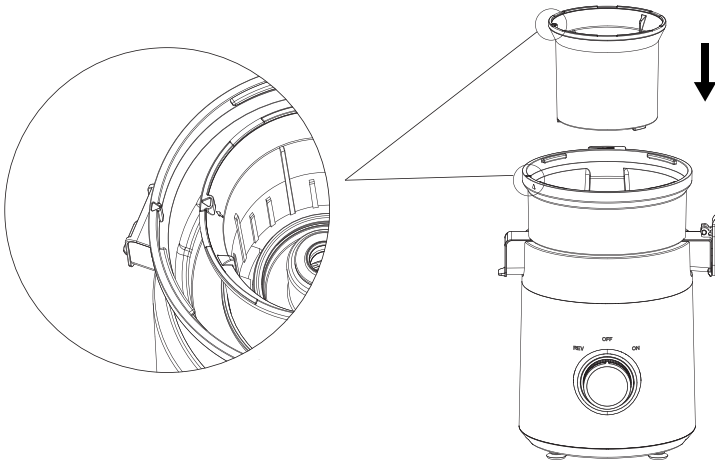
HOW TO ASSEMBLE

1. Place the Container onto the top of Housing.

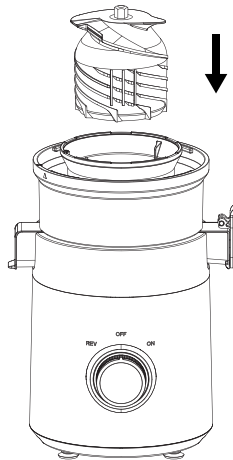


Note: Make sure the Silicone Valve of the Container is well closed before assemble. If it is opened, close it properly and tightly by pressing.

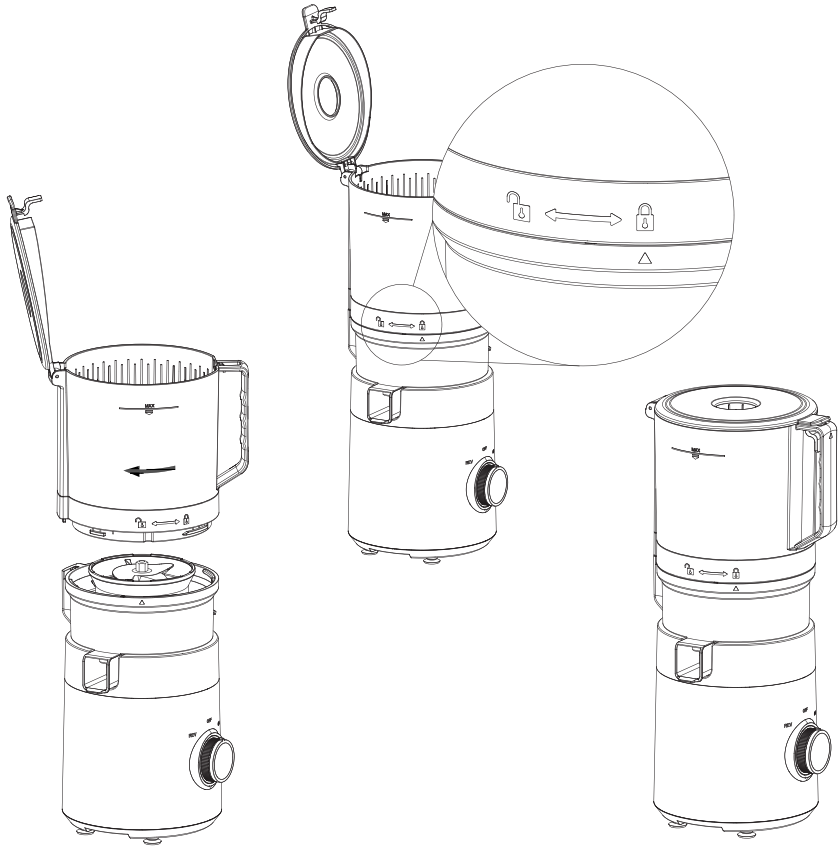
2. Place the Juicing Chamber onto Container (align “▽” with “△”).



3. Insert the Auger firmly into the Juicing Chamber.



4. Position the Hopper vertically onto the Container. Align the hopper assembly guide mark “▼” with the Chamber assembly guide mark “🔒”. Turn the Hopper clockwise up to the Chamber assembly guide mark “🔒” to assemble them.

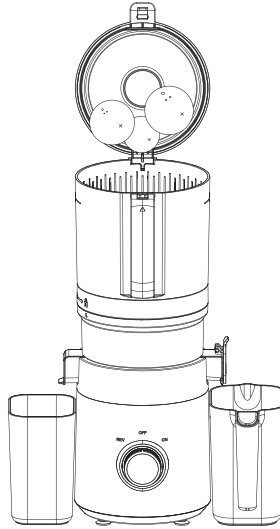


Note: If the internal parts are not assembled correctly, the Hopper will not close.

HOW TO USE

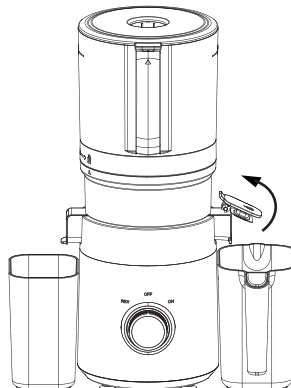
1. Add ingredients only up to the limit mark of the Hopper.

Note: For soft ingredients, mix them with other ingredients for extraction.

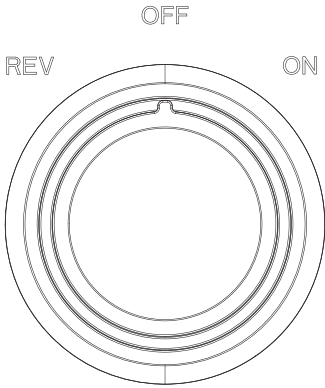


2. Close the Hopper Cover and keep the Juice Flap open.

- Before switch the Power knob, place the Juice Container and Pulp Container first.
- The juice may flow backwards into the Hopper if the Juice Flap is closed during extraction.



3. Switch the Power knob to **“ON”** to start.



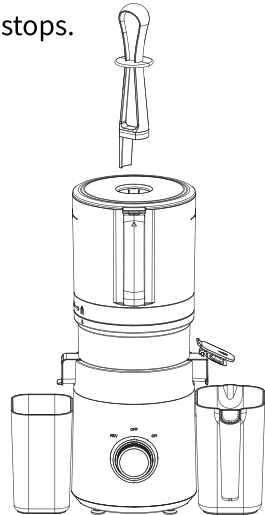
Note:

Please do not use the juicer continuously for more than 20 minutes.

4. To add more ingredients during operation, use the additional inlet or open the Hopper Cover.

- When the Hopper Cover is opened, the operation stops.
- When necessary, use the pusher.

Warning: Do not use anything other than the designated Pusher.

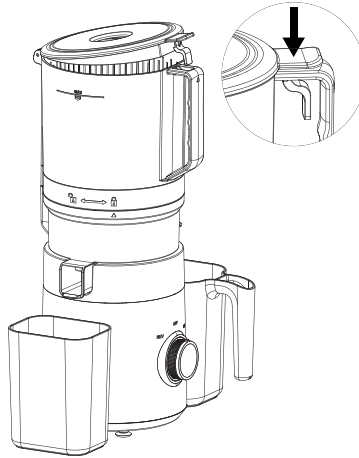


5. When juicing finished, switch the Power knob to **“OFF”** to stop the machine.

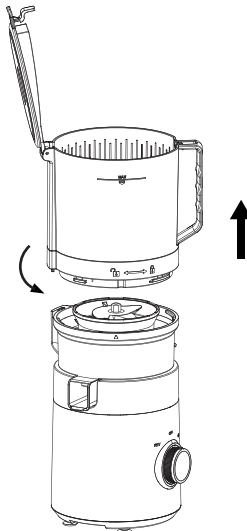
HOW TO DISASSEMBLE & CLEAN

After the appliance stops operating completely, turn off and pull the power cord plug with dry hands.

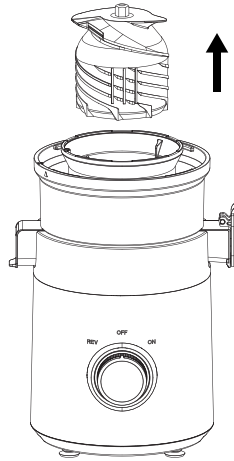
1. Open the Hopper Cover by pressing the Lever.



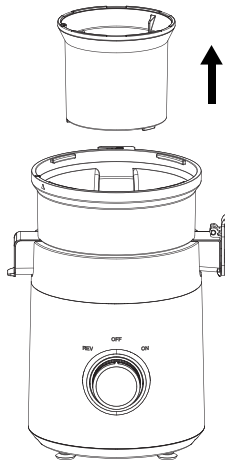
2. Disassemble the Hopper by turning it anti-clockwise until the Hopper assembly guide mark “🔓” aligns with the Container assembly guide mark “▼”.



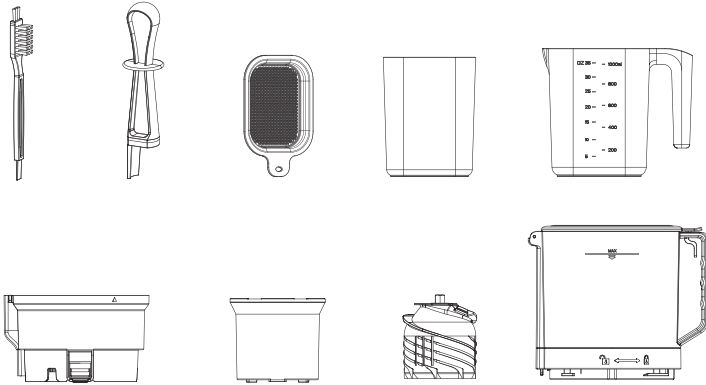
3. Remove the Auger by pulling it upward.



5. Remove the Juicing Chamber by lifting it upward vertically.

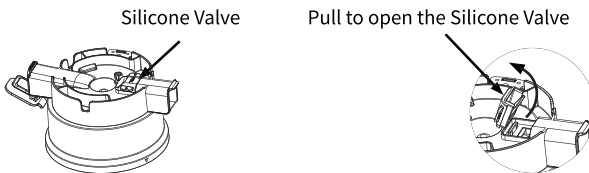


6. Rinse each part with the cleaning brush. Brush the inside and outside of each part thoroughly under running water.



IMPORTANT

Detach the Silicone Valve(at the button) to clean the Chamber. After cleaning, close it properly and tightly. Otherwise, juice leakage occurs.



- Air-dry completely and store in a clean and safe place.
- Be sure to clean and air dry it completely immediately after use and store it in a clean place.
- Without prompt cleaning, the pulp residue may dry and crust on the parts, making it difficult to disassemble or clean at a later time.
- Improper cleaning may also cause decreased performance of the appliance.
- Do not clean with steel sponge, abrasives and other sharp cleaning tools.

MAINTENANCE

1. Clean and air dry it completely immediately after use.
 2. Before cleaning this product, be sure to unplug the power cord.
 3. The Housing cannot be washed under water.
- **Tips:** Wipe the Housing with a damp towel or soft cloth
4. Clean and air dry it completely before storing.

TROUBLE SHOOTING

Before contacting customer service, reviewing this list can save time. This list includes the most common occurrences that are not the result of defective workmanship or materials in this juicer.

Problem	Solutions
The appliance does not work.	Check if the power cord is properly inserted.
	Check whether the hopper cover is closed. The appliance can only start working after the hopper cover is closed.
	Check if the hopper is assembled properly. If the hopper has not been locked into place, the appliance will not operate for safety reasons.
	Check if the appliance has been assembled according to the directions given in the manual.
An unusual noise is heard while juicing.	It is a natural sound produced when ingredients are being crushed. If the ingredients are hard or tough like apples, carrots, etc., the extraction noise may be louder than that heard when juicing softer ingredients. Recommended: You can juice apple with lower noise by peeling.

<p>The appliance stops during normal operation.</p>	<p>The appliance has operated continuously for long time. Your Aeitto motor is designed to protect itself from overheating. Disconnect the appliance from the supply for up to 60minutes to reset. Reset time will be extended if high room temperatures exist.</p>
<p>The Chamber shakes when squeezing.</p>	<p>Depending on the texture of the ingredients, there may be slight to more pronounced shaking of the appliance. There is some level of shaking when the auger is rotating. This is a normal occurrence and not a malfunction. Hard ingredients (e.g. carrot, radish, beet, etc.) may cause more shaking than soft ingredients.</p>
<p>The hopper does not open.</p>	<p>Before disassemble the Hooper, open the Hopper Cover by pressing release button. For safety reason, the Hooper cannot be disassembled without Hooper Cover opened.</p>
<p>Juice leaks through the pulp outlet immediately after the ingredients are inserted.</p>	<p>This is not a product defect but, rather, a normal phenomenon. The leakage will stop after seconds running.</p>
<p>During the early uses the motor generates unpleasant smell.</p>	<p>It is a normal phenomenon. If this phenomenon occurs frequently, contact after sales support email: support@aeitto.com</p>
<p>Juice flows back into the hopper.</p>	<p>Extract juice with the juice flap opened. When juicing with the juice flap closed, the juice may flow backward into the hopper. If the contents are not sufficiently discharged even after opening the juice flap again, open the hopper cover and empty out the contents.</p>
<p>Auger or accessories are dyed after use.</p>	<p>It is a normal phenomenon due to specific veggies such as carrot.</p>

SPECIFICATIONS

Product Name	Slow Juicer
Model Name	MAX6
Rated Voltage	AC 120V
Rated Frequency	60 Hz
Capacity	Juice Container 33.81oz(1,000 ml) Pulp Container 33.81oz(1,000 ml)
Continuous Operating Time	≤ 20minutes
Time Interval	≥ 20minutes

WARRANTY

We are delighted that you have chosen the Aeito slow juicer and hope you have a fun with it. The manufacturer' s warranty covers the product for a period of 12 months from the date of purchase against manufacturing faults. Aeito warranties are automatically kept track of in our system, so there is no need to register your product.

If you have any questions about the device and about spare parts/accessories, contact the customer service department via:



support@aeitto.com



www.aeitto.com



facebook.com/Aeitto



1(888)986-0011
(Mon-Fri 9:00-17:00 EST)



Scan the QR code to view
the Electronic Recipe.



support@aeitto.com



www.aeitto.com



facebook.com/Aeitto



1(888)986-0011
(Mon-Fri 9:00-17:00 EST)