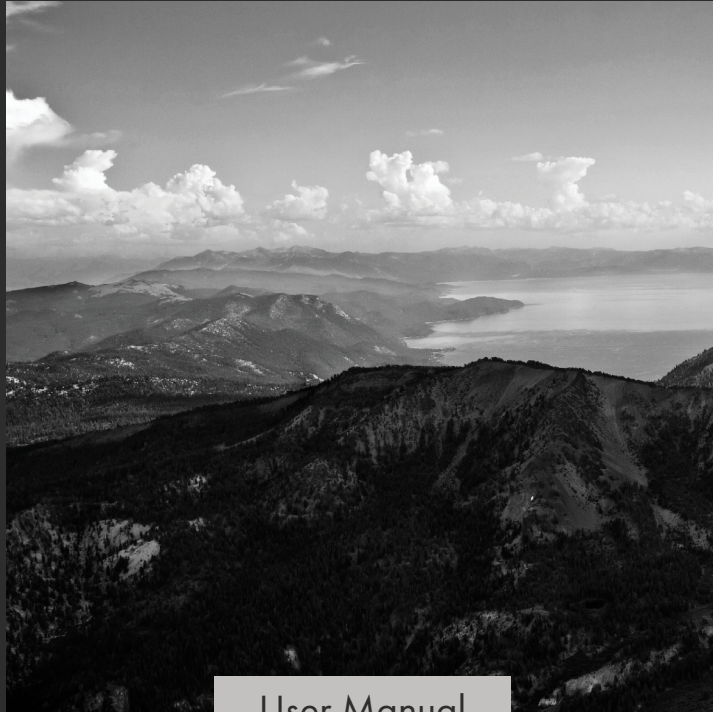


ZLINE

ATTAINABLE LUXURY[®]



User Manual

COLUMN REFRIGERATION **RBCFVL-18, RBCFVR-18,** **RBCFV-24, RBCRV-24, &** **RBCRV-30 MODELS**

www.zlinekitchen.com



ZLINE Kitchen and Bath provides Attainable Luxury, where the kitchen and bath of your dreams is never out of reach. Through our unique designs and unparalleled quality, we're dedicated to providing you an elevated experience in the heart of your home. With an endless selection of features and finishes, our inspiration is your reality.

ZLINE
ATTAINABLE LUXURY®



ZLINE is fueled by a passion for innovation; A relentless pursuit of bringing the highest end luxury designs and professional features into everyone's homes.

Because we continually strive to improve our products, we may change specifications and designs without prior notice.

Scan the QR code to view the most up-to-date version of the Installation Manual and User Manual.

⚠ WARNING: This product can expose you to chemicals including nickel, which is known to the State of California to cause cancer. For more information, go to www.P65Warnings.ca.gov.

TABLE OF CONTENTS

IMPORTANT SAFETY INSTRUCTIONS.....	1
OPERATION	9
Product Specifications (RBCFVL-18/RBCFVR-18/RBCFV-24).....	9
Product Specifications (RBCRV-24/RBCRV-30)	10
Control Panel – Freezer.....	11
Control Panel – Refrigerator	14
Food Storage	19
Shelves and Drawers	21
MAINTENANCE AND CLEANING.....	23
TROUBLESHOOTING.....	25
WARRANTY.....	32

IMPORTANT SAFETY INSTRUCTIONS



WARNING

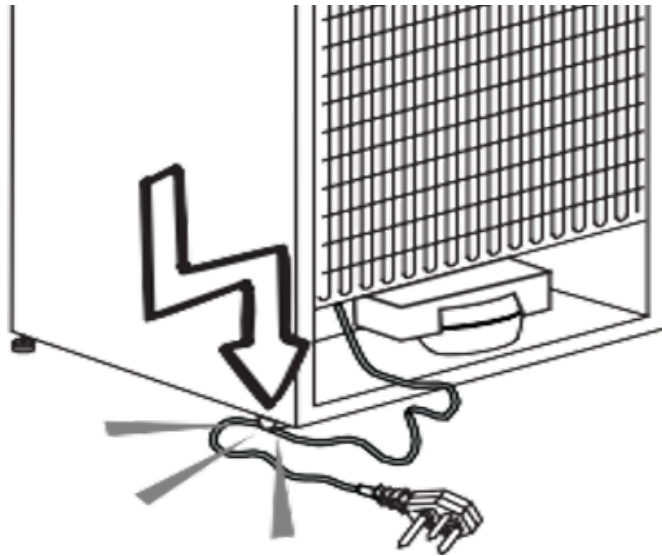
If the information in this manual is not followed exactly, a fire or explosion may result causing property damage, personal injury, or death.

GENERAL SAFETY

- Before installation and operation, please read and follow these important instructions for the safety of your home and the people living in it.
- This appliance is not intended for use by children unless they have been adequately supervised by a responsible person to ensure they can use the appliance safely.
- Young children should be supervised to ensure that they never play with the appliance.
- Cleaning and care should not be performed by children unless they are supervised by an adult or responsible person.
- Immediately unplug the product if you encounter a failure during use.
- If the product malfunctions, it must not be operated until repaired by an authorized service provider.
- It is recommended that installation and service be performed by a qualified installer. The appliance should not be adjusted or repaired by anyone except properly qualified service personnel.
- The manufacturer will not be responsible for any damage to property or to persons caused by incorrect installation, improper use of the appliance, or failure to heed the warnings listed; the warranty will be voided.
- The manufacturer reserves the right to make changes to its products when considered necessary and useful, without affecting the essential safety and operating characteristics.
- Do not eat ice cubes, ice cream, or other frozen foods immediately after you take them out of a freezer. This may cause frostbite in your mouth.
- Do not touch frozen food with wet hands. They may stick to your hand.
- Do not put bottled or canned liquid beverages in a freezer. They may burst.
- Please observe all local, state, and national codes and ordinances. Please ensure the appliance is properly grounded. The plug should always be accessible.

IMPORTANT SAFETY INSTRUCTIONS

- Never wash the appliance by spreading or pouring water onto it, as you run the risk of electric shock.
- Never touch the plug with wet hands.
- To disconnect the appliance from power, firmly grip the plug and pull it from the electrical outlet. Never pull by the cord.
- Do not plug in the refrigerator or freezer if the wall outlet is loose.
- Never connect your refrigerator or freezer to energy-saving devices; such systems are harmful to your product.
- Unplug the product during installation, care, cleaning, and repairing procedures.



WARNING

Improper use of the grounded plug can result in the risk of electrical shock. If the power cord is damaged, have it replaced by a qualified electrician or an authorized service provider.

IMPORTANT SAFETY INSTRUCTIONS

- Never use steam or steam cleaners to clean or defrost the refrigerator or freezer. Steam may infiltrate your unit's electrical system, increasing risk of a short circuit or electric shock.
- Do not use mechanical devices or other means to accelerate the defrosting process other than those recommended by the manufacturer.
- Never use the parts in your appliance, such as the door, shelves, or drawers, as a means of support or step. This may damage the unit and/or cause it to tip over.
- Do not damage or attempt to fix/adjust the unit's sealed system where the refrigerant circulates with drilling or cutting tools.
- If pipe extensions, surface coatings, or gas channels of the evaporator located inside the sealed system are punctured, the refrigerant may escape, potentially causing skin irritations and eye injuries.
- Do not cover or block the ventilation holes in your refrigerator or freezer with any object.
- Ensure beverages in round containers are tightly closed and placed vertically in the appliance to avoid damage to the interior or injury when opening doors.
- Do not use gaseous sprays near the product since there is the risk of fire or explosion.
- Flammable items, products that contain flammable gases (e.g. spray), and explosive materials should never be kept in the appliance.
- Do not place containers filled with liquid on top of the refrigerator or freezer. Splashing liquids on any electrical parts increases the risk of fire or electric shock.
- Do not store items that need precise temperature adjustment (vaccines, heat-sensitive medication, science materials, etc.) in the refrigerator or freezer.
- If you are not going to use the appliance for an extended period of time, unplug it and remove any contents.
- Exposing the product to rain, snow, sun, or wind is dangerous and may increase risk of electrical shock or failure.
- If the product's sealed mechanical system needs to be serviced or replaced by a professional service provider, wait at least 5 minutes after installation to reconnect the unit to electrical power.
- Do not overload the refrigerator or freezer. Objects may fall down when the door is opened, causing injury or damage. Similar problems may arise if any object is placed on top of the unit.
- If the product has a door handle, do not pull on the handle when re-locating the product. The handle may become loose and become damaged and/or cause injury.
- Be careful not to jam your hand or any other body part in the moving parts of the appliance.
- Do not put your hand or any other foreign materials into the ice maker while it is operating.

IMPORTANT SAFETY INSTRUCTIONS

INTENDED USE

- This product has been designed for domestic use. It is not suitable for commercial use and it must not be used outside of its intended use. It must be used only for storing food and beverages.
- The manufacturer does not take any responsibility for damages resulting from improper use or transport.

CHILDREN'S SAFETY

- If there is a lock on the door of the product, the key should be kept out of the reach of children.
- Do not let children play with the product.



WARNING

Before disposing of your old refrigerator or freezer:

- Ensure that children are not inside.
- Leave the shelves inside the unit to prevent children from getting inside the product easily.
- Remove the doors.

IMPORTANT SAFETY INSTRUCTIONS

COMPLIANCE WITH THE ROHS DIRECTIVE

This appliance conforms to the EU RoHS Directive (2011/65/AB). It does not contain harmful or prohibited materials specified in the directive.

PACKAGING INFORMATION

- While some packaging materials for this product may have been manufactured from recyclable materials, others, such as Polystyrene (Styrofoam), are not recyclable.
- Dispose of this unit's non-recyclable packaging with normal domestic waste, and consult your local recycling programs or regulations for which materials may be recycled.



WARNING

DANGER:

Risk of Fire or Explosion:

- This product uses flammable refrigerant.
- Do not use mechanical devices to defrost the refrigerator.
- Do not use chemicals for cleaning.
- Do not pierce the refrigerant pipe.
- If the refrigerant pipe is pierced, it must be repaired only by licensed service personnel.
- Please consult the repair/user manual before cleaning the product.
- All safety instructions must be followed.
- Dispose the product according to federal or local regulations.

HYDROCARBON (HC) WARNING

- This product's sealed cooling system contains R600a refrigerant. This gas is flammable. Therefore, pay attention not to damage the cooling system or piping during use and transportation.
- If damaged, keep the product away from potential fire sources that may cause it to catch fire and ventilate the room where the product is placed.
- Never use an appliance with a damaged cooling system. If the system is damaged upon delivery, contact ZLINE at 1-614-777-5004.

IMPORTANT SAFETY INSTRUCTIONS



If the product is damaged and if you see gas leak, please keep away from the gas. It may cause frostbite when it gets into contact with the skin (including R600a).



The type of gas used in the product is stated on the unit's label, which is located on the left wall inside the refrigerator.



Never throw the product into fire for disposal.

WATER PRESSURE PRECAUTIONS

- Operating pressure for cold water inlet is between 25–80 psi (1.7–5.5 bar). If the water pressure exceeds 80 psi (5.5 bar), install a pressure limiting valve to your mains system.
- If water main pressure is lower than 25 psi (1.7 bar), you can use an auxiliary pump to compensate the low pressure.
- If you do not know how to check the water pressure, please consult a professional plumber.
- If there is a risk of water impact in your installation, always use a water impact protection equipment in that installation.
- Please consult professional plumbers if you are not sure if there is water impact in your installation.
- Do not make installation on the hot water inlet.
- Take the necessary measures against the freezing risk of the hoses.
- The water temperature operating range must be 0.6 °C (33 °F) minimum and 38 °C (100 °F) maximum.



Never connect the product to cold water mains with a pressure of 80 psi (5.5 bar) and above

IMPORTANT SAFETY INSTRUCTIONS

ENERGY SAVING TIPS



WARNING

Connecting your refrigerator or freezer to systems that save energy is dangerous and may cause damage to the product.

- Do not leave the doors of your refrigerator or freezer open for a long time.
- Do not put hot food or liquids in your appliance.
- Do not overload the appliance. Cooling capacity will decrease when the air circulation in the refrigerator is hindered.
- Do not place the refrigerator or freezer in places subject to direct sunlight. Install the product at least 12" (305 mm) away from heat sources such as microwaves, ovens, heater units, and gas ranges, and at least 2" (51 mm) away from electrical ovens.
- Store food and liquids in your refrigerator or freezer inside closed containers.
- You can remove the shelves and drawers to fill the unit with the maximum amount of food. The energy consumption value is determined with the shelves and drawers removed and the unit filled with the maximum amount of food.
- Thawing frozen foods in a refrigerator both saves energy and preserves the quality of the foods.



ATTENTION

The temperature of the room where your refrigerator or freezer is located should at least be 61 °F (16 °C). Operating your appliance under cooler conditions is not recommended in terms of energy efficiency.



ATTENTION

The inside of your refrigerator or freezer must be cleaned thoroughly.

IMPORTANT SAFETY INSTRUCTIONS

RECOMMENDATIONS FOR THE REFRIGERATOR COMPARTMENT

- Make sure that the food does not touch the temperature sensor in the refrigerator or freezer compartment. To allow the unit to maintain its ideal storage temperature, the sensor must not be hindered by food.
- Do not place hot foods or liquids inside the unit.

INITIAL USE

- Before using the product, make sure that all preparations have been made in accordance with the instructions provided in the column refrigeration installation manual.
- Clean the interior of the refrigerator or freezer as recommended in the "Maintenance and Cleaning" section of this manual (page 23). Before plugging in the appliance for the first time, make sure that the interior is dry.
- Plug the appliance into a grounded socket. The interior becomes illuminated when the door of the refrigerator or freezer is opened.
- Plug the unit in for a minimum of 6 hours without placing any food in it and do not open the door unless it is necessary.



You will hear a noise when the compressor starts up. The liquids and gases sealed within the cooling system may also create noise even if the compressor is not running; this is quite normal.



Front edges of the refrigerator or freezer may feel warm. This is normal. These areas are designed to be warm to avoid condensation.

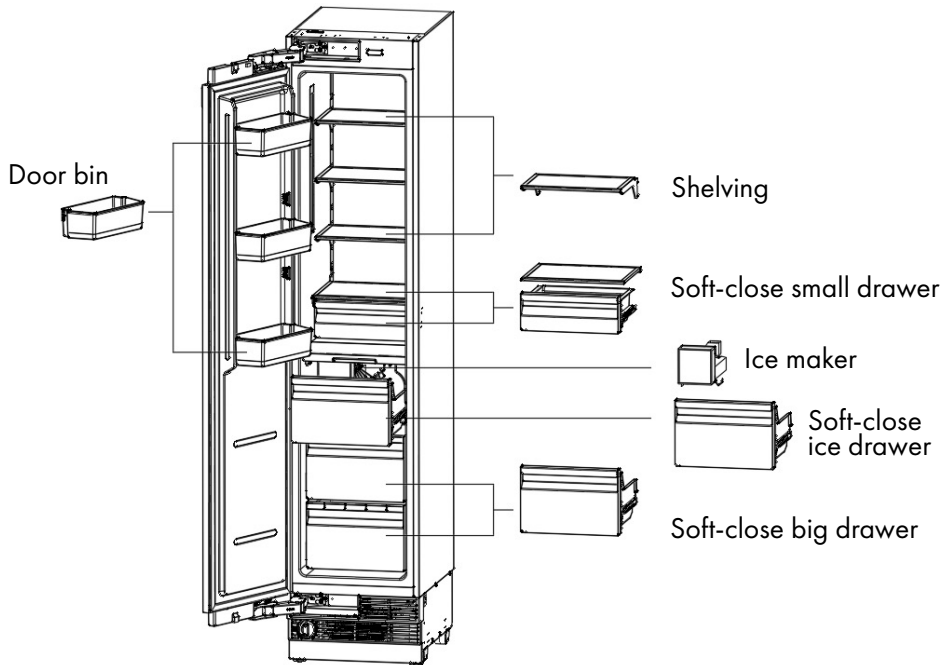
- Take necessary measures against risk of freezing in the unit's water hoses.
- The water temperature operating range must be 33 °F (0.6 °C) minimum and 100 °F (38 °C) maximum.



Never connect the product to a cold water main with a pressure of 80 psi (5.5 bar) and above.

OPERATION FREEZERS

PRODUCT SPECIFICATIONS (RBCFVL-18/RBCFVR-18/RBCFV-24)



Adjustable shelves (3)

- Heat-treated safety glass.

Stationary shelf (1)

- Stationed on top of ice maker drawer; heat-treated safety glass.

Ice maker (1)

- Inside 1 removable soft-close ice drawer and includes 1 hygienic ice scoop.

Soft-close drawers (1 small, 2 big)

- Freezer drawers feature soft-close technology to ensure all drawers close properly.

Door bins (3)

- Adjustable and removable door bins.

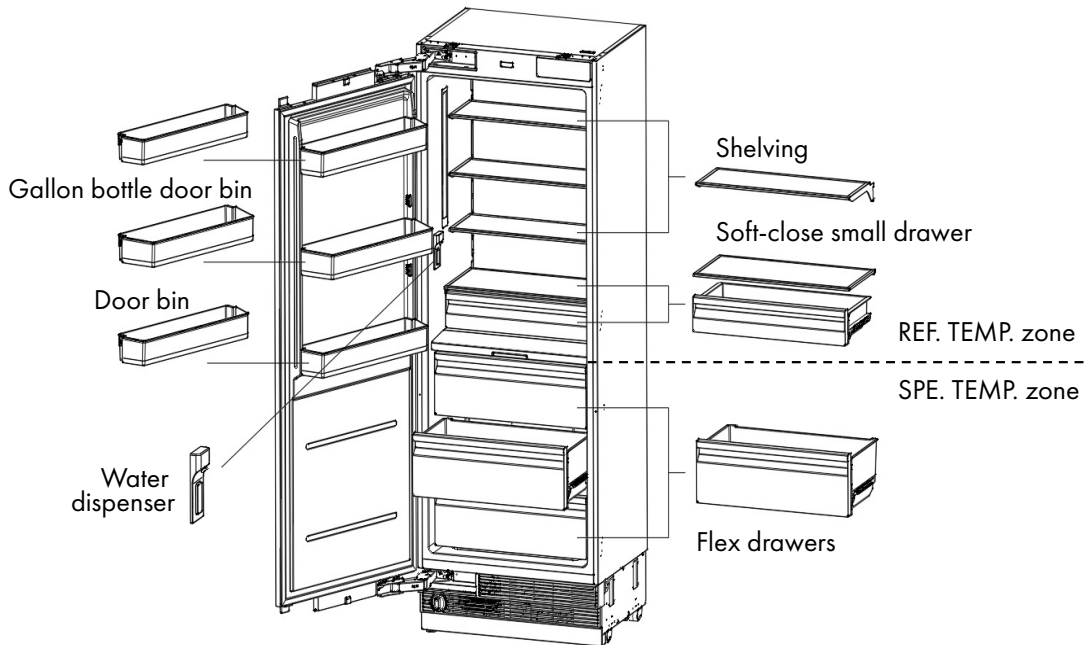


INFO

Figures in this user manual are schematic and may not match the product exactly. If your freezer does not have relevant parts and/or exact figures, the information may still apply to other models.

OPERATION REFRIGERATORS

PRODUCT SPECIFICATIONS (RBCRV-24/RBCRV-30)



Adjustable shelves (3)

- Heat-treated safety glass.

Stationary shelf (1)

- Stationed on top of soft-close small drawer heat-treated safety glass.

Soft-close drawers (1 small, 3 flex)

- Refrigerator drawers feature soft-close technology to ensure all drawers close properly.
- 3 large flex drawers at bottom of unit allow for varying temperature zones.

Door bins (3)

- 1 gallon bottle door bin
- 2 additional adjustable and removable door bins.

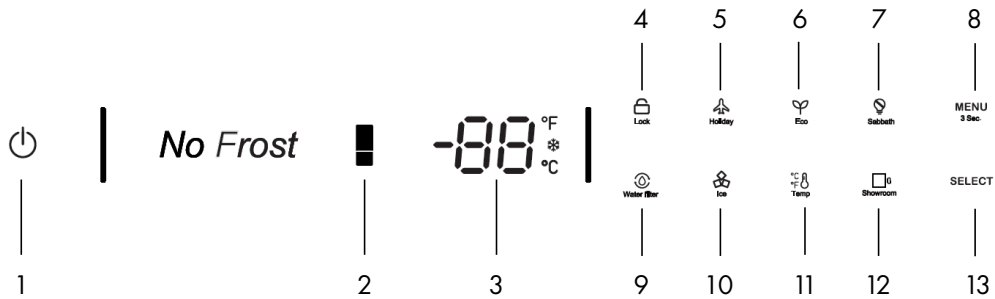
Internal water dispenser (1)



Figures in this user manual are schematic and may not match the product exactly. If your refrigerator does not have relevant parts and/or exact figures, the information may still apply to other models.

OPERATION

CONTROL PANEL – FREEZER



Figures in this user manual are schematic and may not match the product exactly. If your product does not have relevant parts and/or exact figures, the information may still apply to other models.

1. On/Off Button

- Serves to turn the appliance On and Off. Press the button to switch on the product — the product will be switched on in 5 seconds. Press the On/Off button for 1.5 seconds to switch off.

2. Temperature Button

- Press the button to adjust the freezer's overall temperature from 7 °F to -11 °F (-14 °C to -24 °C). After the temperature regulation is stopped, the LED lights will flash for 5 seconds and take effect.
- The Super Freeze function will be enabled if you continue pressing the button after -11 °F (-24 °C).
- When the snow symbol illuminates on the display, the Super Freeze function is enabled.
- The Super Freeze feature assists with periods of high freezer use, full grocery loads, or temporarily warm room temperatures.
- After the Super Freeze cycle is complete, the freezer will return to its previous temperature setting.

3. Temp. Display

- Displays the set temperature of the freezer.
- Fahrenheit, Celsius, or Super Freeze icons will illuminate here.

OPERATION

4. Lock

- The lock icon will be illuminated when the control panel is in the locked state.
- To unlock the controls, press and hold the MENU button for 3 seconds.
- The control panel will automatically lock itself after 3 minutes have passed with no interaction with the control panel. This is to prevent unintentional changes to temperature or settings.

5. Holiday Mode

- Press the MENU button until the holiday symbol illuminates, then press the SELECT button to enable the function. When the Holiday Mode function is enabled, the freezer temperature is automatically set at 0 °F (-18 °C).
- **Before leaving:**
 - Turn the ice maker OFF on the control panel. The ice maker will be off when the Ice symbol is not illuminated.
 - Shut off the water supply to the appliance.
- **On return:**
 - Turn ON the ice maker. The ice maker will be on when the ice symbol is illuminated.
 - Discard the first full bin of ice before use to ensure debris is cleared from water lines.

6. Eco Mode

- Press the MENU button until the Eco Mode symbol illuminates, then press the SELECT button to enable the function.
- When the Eco Mode function is enabled, and the freezer temperature is automatically set at 5 °F (-15 °C).

7. Sabbath Mode

- Press the MENU button till the Sabbath Mode symbol illuminates
- Then press the SELECT button to enable the function.
- When Sabbath Mode is enabled, all lights, buzzers, and display panels will be turned off

8. MENU

- Pressing the MENU button for 3 seconds locks/unlocks the control panel.
- The lock is a feature for preventing children from changing product settings.

OPERATION

9. Water Filter (if applicable)

- The Water Filter symbol flashes and beeps to advise the user to replace the water filter.
- After the replacement is completed, reset the symbol by pressing SELECT for 5 seconds while the control panel is locked.
- The default replacement time is 130 days.

10. Ice (if applicable)

- Press the MENU button until the ice making symbol illuminates, then press the SELECT button to enable the function.
- When the ice making function is enabled, the ice maker will automatically operate and ice cubes will accumulate in the ice tray below.
- **NOTE:** Prepare the water filter for use before using the ice maker.
- After connecting the freezer to a water source or after replacing the water filter, fill and discard two full containers of ice before use to ensure debris is cleared from water lines.

11. Temperature Unit

- Press the MENU button until the Celsius and Fahrenheit selection symbol illuminates to change between Celsius and Fahrenheit. Press the SELECT button to confirm.

12. Showroom Mode

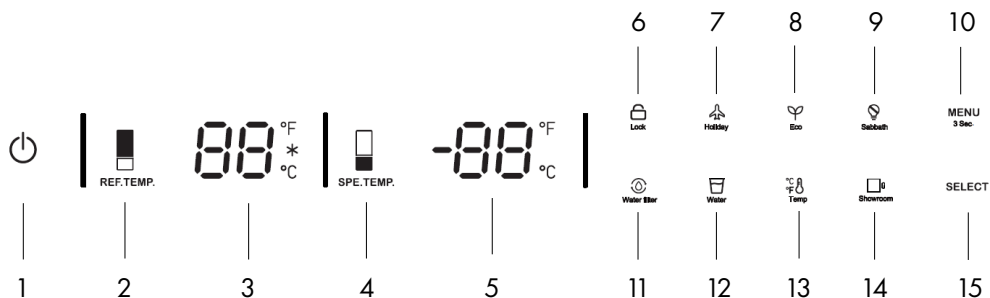
- Press the MENU button until the Showroom symbol illuminates, then press the SELECT button to enable the function.
- This mode is used for display purposes only or if you want to turn the cooling off and deactivate all other functions except interior lighting.
- **NOTE:** Do not store any food items while in Showroom Mode, as the appliance then remains at room temperature.

13. SELECT

- After selecting MENU, press SELECT button to confirm the function.

OPERATION

CONTROL PANEL – REFRIGERATOR



Figures in this user manual are schematic and may not match the product exactly. If your product does not have relevant parts and/or exact figures, the information may still apply to other models.

1. On/Off Button

- Serves to turn the appliance On and Off. Press the button to switch on the product — the product will be switched on in 5 seconds. Press the On/Off button for 1.5 seconds to switch off.

2. REF. TEMP. (Refrigerator Temperature Zone)

- Press REF. TEMP. to adjust the upper refrigerator temperature zone from 36 °F to 47 °F (2 °C to 8 °C).
- After temperature regulation is stopped, the LED lights will flash for 5 seconds and take effect.
- The Super Cool function will be enabled if you continue pressing the button after 36 °F (2 °C).
- When the snow symbol illuminates on the display, the Super Cool function will be enabled.
- The Super Cool feature assists with periods of high refrigerator use, full grocery loads, or temporarily warm room temperatures.
- After the Super Cool cycle completes, the refrigerator will return to its previous setting.

3. Temp. Display

- Displays the set temperature of the REF. TEMP. zone.
- Fahrenheit, Celsius, or Super Cool icons will illuminate here.

4. SPE. TEMP. (Flex Temperature Zone)

- Press SPE. TEMP. to adjust the lower refrigerator flex temperature zone from 30 °F to 41 °F (-1 °C to 5 °C).
- After temperature regulation is stopped, the LED lights will flash for 5 seconds and take effect.

OPERATION

5. Temp. Display

- Displays the set temperature of the SPE. TEMP. zone.
- Fahrenheit or Celsius icons will illuminate here.

6. Lock

- The lock icon will be illuminated when the control panel is in the locked state.
- To unlock the controls, press and hold the MENU button for 3 seconds.
- The control panel will automatically lock itself after 3 minutes have passed with no interaction with the control panel. This is to prevent unintentional changes to temperature or settings.

7. Holiday Mode

- Press the MENU button until the holiday symbol illuminates, then press the SELECT button to enable the function.
- When the Holiday Mode function is enabled, the REF. TEMP and SEP. TEMP will be set at 63 °F (17 °C) automatically.
- **NOTE:** Do not place food in the refrigerator when Holiday Mode is enabled.

8. Eco Mode

- Press the MENU button until the Eco Mode illuminates, then press the SELECT button to enable the function.
- When the Eco Mode function is enabled, the REF. TEMP will be set at 46 °F (8 °C) the SPE. TEMP will be set at 41 °F (5 °C) automatically.

9. Sabbath Mode

- Press the MENU button until the Sabbath Mode symbol illuminates
- Then press the SELECT button to enable the function.
- When the Sabbath Mode function is enabled, all lights, buzzers, and display panels will be turned off.

10. MENU

- By pressing MENU button for 3 seconds, you may lock/unlock the control panel.
- The lock is a feature for preventing children from changing the product settings.

OPERATION

11. Water Filter (if applicable)

- The Water Filter symbol flashes and beeps to advise the user to replace the water filter.
- After the replacement is completed, reset the symbol by pressing SELECT for 5 seconds while the control panel is unlocked.
- The default replacement time is 130 days.

12. Water Dispenser (if applicable)

- Press the MENU button until the Water Dispenser symbol illuminates,
- Then press the SELECT button to enable the function.
- When the Water Dispenser is enabled, fresh water can be provided from the dispenser fitted on the internal wall.
- **NOTE:** Prepare the water filter for use before using water dispenser.
- After connecting the refrigerator to a water source or after replacing the water filter, fill and discard 2–3 gallons of water to ensure debris is cleared from water lines.

13. Temperature Unit

- Press the MENU button until the Celsius and Fahrenheit selection symbol illuminates to change between Celsius and Fahrenheit. Press the SELECT button to confirm.

14. Showroom Mode

- Press the MENU button until the Showroom symbol illuminates, then press the SELECT button to enable the function.
- This mode is used for display purposes only or if you want to turn the cooling off and deactivate all other functions except interior lighting.
- **NOTE:** Do not store any food items while in Showroom Mode, as the appliance then remains at room temperature.

15. SELECT

- After selecting MENU, press SELECT button to confirm the function.

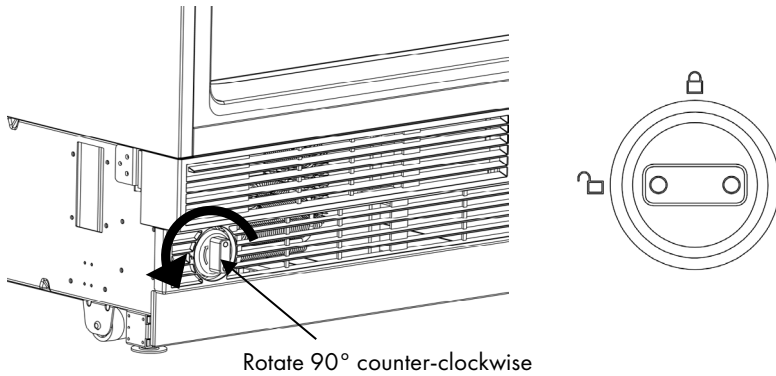
OPERATION

INSTALLING/REPLACING THE WATER FILTER

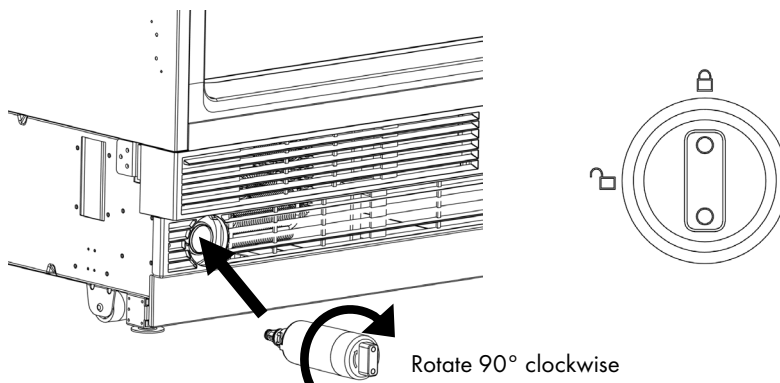
Water Filter Replacement

The water filter symbol flashes and beeps to advise the user to replace the filter. After the replacement is completed, reset the symbol by pressing SELECT for 5 seconds while the control panel is locked. The set replacement time is 130 days. Visit www.zlineparts.com and search "RBCV-437A" to order a replacement.

1. All units are shipped with a water filter already installed for immediate use.
2. Remove the old filter from the housing by turning counterclockwise and pulling out, as outlined in the figure below.



3. Insert the water filter — with the knobs at the front in a horizontal position — as far as it will go, and turn clockwise until it snaps in.
4. Re-secure the filter cover by pushing it up to locking with the button, as outlined in the figure below.



OPERATION

AFTER REPLACING THE WATER FILTER

Refrigerators

- Run 2-3 gallons of water to remove air from the system and to ensure any potential debris is cleared from water lines.
- **NOTE:** A newly installed filter cartridge will cause water to spurt and dribble until the air is out of the system — this is perfectly normal.

Freezers

- The ice maker may not immediately produce ice. Also, initial ice may be irregularly shaped. Discard the first bin of ice to allow air to purge from the system and to ensure any potential debris is cleared from water lines.
- **NOTE:** A newly installed filter cartridge will cause water to spurt into the ice maker body, which could lead to ice droplets around the ice maker area — it is normal for these droplets and initial ice production to appear discolored during the initial system flush. Ice color will return to normal after the first bin of ice production.

INSTALLING THE WATER BYPASS PLUG (IF NECESSARY)

- If customers opt to use a reverse osmosis system or household filtration system and do not need to use the water filter, the provided water filter bypass plug (Installation Manual, Item No. 19) is recommended to ensure water is properly delivered to your ice maker and/or water dispenser.
- To install, remove the water filter as outlined in on the previous page, insert the plug into the housing, rotate clockwise until snug, and then re-secure the filter cover.

OPERATION

FOOD STORAGE

REFRIGERATORS – DUAL COOLING SYSTEM

Refrigerators are equipped with two separate cooling systems to cool the upper refrigerator compartment and the lower flex compartment. Thus, the air and odor in the refrigerator compartment and the flex compartment do not get mixed. Thanks to these two separate cooling systems, cooling speeds are much higher than that of other refrigerators.

FREEZERS

- Take care to wrap foods or place them in a covered container before putting them in the freezer.
- Hot foods and beverages must cool down to at least room temperature before you put them in the freezer. Placing warm food into the freezer causes the cooling system to operate continuously until the food is frozen solid, which is not ideal for saving energy.
- Freeze foods only that are fresh and in good quality.
- Pack the foods in an airtight manner to prevent them from drying, even if they are going to be stored for a short time.
- Materials used for packaging must be tear-proof and resistant to cold, humidity, odor, oils, and acids, and they must also be airtight. Moreover, they must be made from easy-to-use materials that are suitable for deep-freezing.
- Frozen foods should be used immediately after they are thawed and should never be refrozen.
- Do not freeze quantities of food that are too large. The quality of the food is best preserved when it is frozen right through to the core as quickly as possible.
- Placing warm food into the freezer compartment causes the cooling system to operate continuously until the food is frozen solid.
- Frozen foods you purchase must be stored according to the conditions and temperatures determined by the food manufacturer.
- Check the following steps to ensure optimal food quality from the manufacturer and/or food retailer is maintained:
 1. Put packages in the freezer as quickly as possible after purchase.
 2. Make sure that the content of the package is labeled and dated.
 3. Check whether the "Use By" or "Best Before" date on the packaging is expired or not.

OPERATION

OPERATING TEMPERATURES

FREEZER	UPPER REFRIGERATOR ZONE	LOWER REFRIGERATOR FLEX ZONE
0 °F (-18 °C)	39 °F (4 °C)	34 °F (1 °C)
This is the recommended operating temperature for each zone.		

SUPER COOL MODE: 36 °F (2 °C)

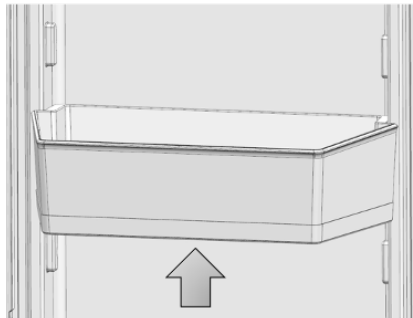
Use this function when you place fresh groceries into the refrigerator or when you need to cool your food quickly. It is recommended that you activate the Super Cool function 4–8 hours before placing the food inside.

SUPER FREEZE MODE: -11 °F (-24 °C)

Use this function when you wish to quickly freeze your food in a short time. Your freezer will return to its previous mode when the process is over.

DOOR BINS

To remove, lift up the door bin to detach and then pull straight out. To replace, reverse the process so you're putting in the bin at a slight angle, and then press down until it locks.



OPERATION

SHELVES AND DRAWERS

GLASS SHELVES

To remove a shelf

- Fully open the door of the refrigerator or freezer to gain better access.
- Hold the front of the shelf, and then gently lift up and slide out (see *Figure 1*).

To reinsert

- Hold the shelf at an angle so the front is higher than the back, and then insert the top hook into the top shelf notch (see *Figure 2*).
- Put down the front slightly to lock into place.

NOTE: Use care when handling glass shelves to prevent breakage or scratching the interior.

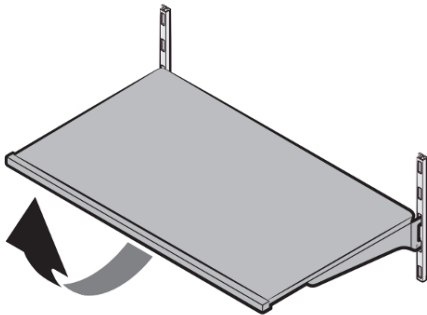


Figure 1

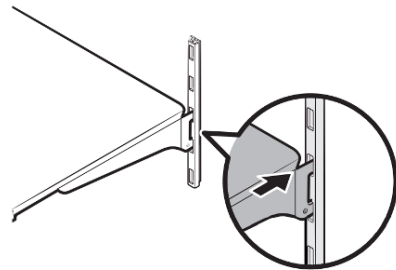


Figure 2



ATTENTION

Glass shelves must be unloaded when removing and reinstalling.



ATTENTION

You must wait for the glass shelves to reach room temperature before immersing them in water for cleaning, or you run the risk of the glass cracking or breaking.



ATTENTION

You cannot close the refrigerator or freezer door(s) if the door bins are positioned at the same level as glass shelves. Make sure that the door is closed after placing the shelves.

OPERATION

DRAWERS

To remove the drawers

1. Pull the drawer out until it stops.
2. Doors must be fully opened to remove/install the drawer.
3. Slightly unclip the front section of the drawer and take it out completely.

To install the drawers

1. Pull the sliding rails out completely (see *Figure 1*).
2. Using care to not scratch the inside of the refrigerator, place the gaps located at the bottom rear corners of the drawer onto the small extension pieces located at the rear corners of both rails (see *Figure 2*, red arrow).
3. Push the drawer down until you feel the front section clip onto the rails (see *Figure 3*).

Figure 1

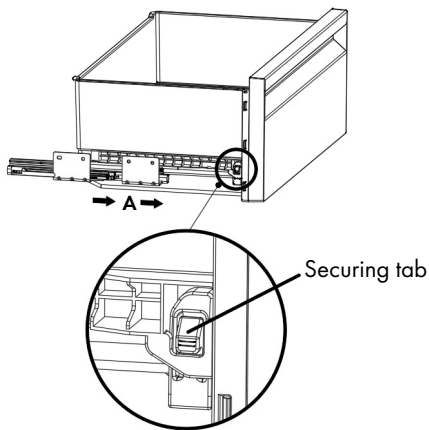


Figure 2

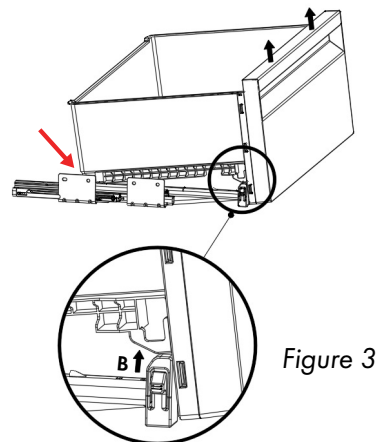


Figure 3



Make sure that the small extension pieces located on the rails at the right and left-hand sides are affixed when installing the drawer.

MAINTENANCE AND CLEANING

CARE & CLEANING

- The service life of your product will extend and frequently encountered problems will decrease if the product is cleaned periodically.
- Never use gasoline, benzene, or similar substances for cleaning purposes.
- Never use any sharp abrasive instruments, soap, household cleaners, detergent, or wax polish for cleaning.
- The best cleaning option is to dissolve one teaspoon of baking soda in a half liter of water. Soak a cloth in the solution and wring it thoroughly. Wipe the interior of the appliance with this cloth and then dry thoroughly.
- Make sure that no water contacts the light fixtures or other electrical parts.
- If you plan to not use the refrigerator or freezer for a long time, unplug it, remove all food inside, clean it, and leave the door ajar.
- Check regularly that the door gaskets are clean. If not, clean them.
- Take out all items inside the unit before removing the door and shelves for cleaning.
- Remove the door shelves by pulling them up. Slide the shelves downward to re-install them after cleaning. Refer to pages 21–22 for directions on how to remove/install shelves and drawers.
- Never use chloric cleaning agents or water to clean outer surfaces or chrome-coated parts of the product. Chlorine causes abrasion on such metal surfaces.

AVOIDING BAD ODORS

- Your appliance is equipped with a permanent odor filter installed in the back of the inside of the main compartment that helps to eliminate food-related odors. However, odors may still emit if foods are stored improperly or if the interior of the product is not cleaned as required. Please consider the following to avoid this problem:
 - It is important that the refrigerator or freezer is kept clean.
 - Food residuals, stains, etc., can cause odor. For this reason, clean your appliance with the baking soda solution outlined above every 15 days. Never use detergents or soap.
 - Keep your foods in closed containers. Microorganisms emitted from containers without a cover may cause unpleasant odors.
 - Never keep expired or spoiled foods in your refrigerator or freezer.

MAINTENANCE AND CLEANING

SURFACE CLEANING AND PROTECTION

Plastic Surfaces

- Do not put liquid oils or oil-cooked meals in your refrigerator or freezer in unsealed containers as they damage the plastic surfaces of your appliance.
- If oil is spilled or smeared onto the plastic surfaces, clean and rinse the relevant part of the surface with warm water immediately.



WARNING

Turn off the product before cleaning.



WARNING

It is recommended to clean the condenser every six months using gloves. You must not use vacuum cleaners.

The Inner Surface

- To clean the inner surfaces and all removable parts, wash them with a mild solution comprising soap, water, and carbonate.
- Rinse and dry thoroughly.
- Prevent the water from contacting the lighting means and control panel.

Stainless Steel Outer Surfaces

- Use a stainless steel cleaning agent that is non-abrasive and apply it with a lint-free, soft cloth.
- For polishing, wipe the surface softly with a damp microfiber cloth and use dry wash-leather.
- Always follow the strands of the stainless steel.



ATTENTION

Do not use vinegar, rubbing alcohol or other alcohol-based cleaning agents on any of the inner surfaces.

TROUBLESHOOTING

- Please review this list for common troubleshooting tips before calling for service, as this may save you time and money.
- This list contains frequently encountered problems that are not results of faulty workmanship or material use.
- Your product may not have some of the features described here.



WARNING

If a problem cannot be resolved after following the instructions in the manuals, please contact ZLINE customer service at 1-614-777-5004. Never attempt to repair or disassemble a faulty refrigerator sealed system as there are no user-serviceable parts. Always consult a professional.

PROBLEM	POSSIBLE CAUSE	POSSIBLE SOLUTION
The product is not operating.	It may not be plugged in properly.	Plug in the product properly.
	Loss of power to the outlet to which the unit is connected.	Check the circuit breaker or fuse may have blown.
There is condensation in the unit.	The door may have been opened/closed frequently.	Do not open/close the door frequently.
	The environment may be too humid.	Do not install the product at locations with a very high level of humidity.
	Foods containing liquid may have been placed into the unit in containers without covers.	Do not place foods containing liquid into the unit in unsealed containers.
	The door may have been left ajar.	Do not keep the doors open for a long time.

TROUBLESHOOTING

PROBLEM	POSSIBLE CAUSE	POSSIBLE SOLUTION
The compressor is not operating.	The internal protector of the compressor will open, protecting the compressor, and it will reset automatically.	The unit will start running approximately after 6 minutes. Please call ZLINE at 1-614-777-5004 if the unit does not start at the end of this period.
	The unit is in defrosting cycle.	This is normal for a unit that performs full-automatic defrosting.
	Defrosting cycle is performed periodically.	This is normal for the unit to defrost periodically.
	The unit may not be plugged in.	Make sure that the plug fits the socket.
	Temperature settings may be incorrect.	Select the correct temperature value.
	Possible power failure.	The unit will start to operate normally when power restores.
The operation noise increases when the unit is running.	Operating performance of the unit may vary based on the ambient temperature changes.	This is normal and not a fault.

TROUBLESHOOTING

PROBLEM	POSSIBLE CAUSE	POSSIBLE SOLUTION
Vibration or noise.	The floor may not be stable or level.	If you notice that the unit shakes when moved slightly, make sure that the floor is level and capable of carrying the unit. Adjust feet as necessary.
	Objects placed on top of the unit may cause noise.	Remove the objects on the unit.
There are noises coming from the unit like liquid spilling or spraying.	Liquid and gas flows occur normally in accordance with the operating principles of the unit.	This is normal and not a fault.
A whistling noise is heard from the unit.	There are fans that are used to cool the unit.	This is normal and not a fault.
Condensation accumulates on the inner walls of refrigerator.	Hot and humid weather increases icing and condensation.	This is normal and not a fault.
	The doors may have been opened frequently or left ajar for a long time.	Do not open the door frequently. Close the doors, if open.
	The door may have been left ajar.	Close the door completely.

TROUBLESHOOTING

PROBLEM	POSSIBLE CAUSE	POSSIBLE SOLUTION
Condensations occurs on the outer surface of the refrigerator or between the doors.	Air might be humid. This is quite normal in humid weathers.	Condensation will disappear as the humidity level decreases.
	There might be external condensation at the section between two doors of the unit if you use your product rarely.	This is normal. Condensation will disappear upon frequent use.
There is a bad odor inside the unit.	No regular cleaning may have been performed.	Clean the inside of the unit with a sponge and lukewarm water or carbonated water.
	Some containers or packaging materials may cause the odor.	Use another container or packaging materials from another brand.
	Foods may have been placed into the unit in containers without covers. Microorganisms emitting from containers without a cover may cause unpleasant odors.	Store foods in closed containers.
	Food may be expired or spoiled.	Take out expired or spoiled foods from the unit.

TROUBLESHOOTING

PROBLEM	POSSIBLE CAUSE	POSSIBLE SOLUTION
The door cannot be closed.	Food packages may be preventing the door from closing.	Re-locate the packages obstructing the door.
	The unit may be unstable on the floor.	Adjust the refrigerator feet as required to keep the unit in balance.
	The floor may not be level or solid.	Make sure that the floor is level and capable of carrying the unit.
Drawers are stuck.	Foods may be touching the upper wall of the drawer.	Re-organize the foods in the drawer.
No water is coming out of the water dispenser	Check whether the water line is connected normally, whether the water supply valve is opened, and whether the water pipe is bent or creased.	
	The water filter or water filter bypass plug may be installed before water can be discharged.	
	Check whether the filter or water filter bypass plug is installed properly.	

TROUBLESHOOTING FREEZERS

PROBLEM	POSSIBLE CAUSE	POSSIBLE SOLUTION
F4	Air Freezer Probe Error	<p>Try resetting the unit by disconnecting it from power and reconnecting it after a few minutes. If those does not work, service may be required, please call ZLINE Customer Service at 1-614-777-5004.</p>
F5	Defrost Probe Error	
F6	Ambient Temperature Probe Error	
CE	Communication Failure	
2E	Freezer Fan Error	
3E	Condenser Fan Error	
DR	The refrigerator opens for more than 2 minutes	<p>Make sure the doors are closed and that the magnets are in place correctly.</p>

TROUBLESHOOTING REFRIGERATORS

PROBLEM	POSSIBLE CAUSE	POSSIBLE SOLUTION
F1	Air Freezer Probe Error	<p>Try resetting the unit by disconnecting it from power and reconnecting it after a few minutes. If those does not work, service may be required, please call ZLINE Customer Service at 1-614-777-5004.</p>
F2	Defrost Probe Error	
F3	Chiller Probe Error	
F6	Ambient Temperature Probe Error	
CE	Communication Failure	
1E	Fridge Fan Error	
3E	Condenser Fan Error	
DR	The refrigerator opens for more than 2 minutes	<p>Make sure the doors are closed and that the magnets are in place correctly.</p>

WARRANTY

COVERAGE

ZLINE Kitchen and Bath ("ZLINE") column refrigerators and freezers have a two year parts and service warranty and a five year parts warranty on the unit's sealed cooling system.

ZLINE warranty periods begin from the original date of product delivery and solely cover the original purchaser of the product, delivered new and in its original carton. The limited warranty covers all parts and labor for necessary repairs if any part of the product, or the product itself, proves to be defective in materials or workmanship.

The product must be deemed serviceable via troubleshooting with the ZLINE Customer Experience team. All service on ZLINE products under warranty must be performed by ZLINE-approved and ZLINE-certified service providers unless otherwise specified by ZLINE. Service will be provided during normal business hours.

Products must be unobstructed and accessible to the service provider at the time of service. ZLINE's liability is limited to the original purchase price of the product. Additional injuries, losses, damages, or other inconveniences caused by product malfunction or defects in materials are not covered under the terms of this warranty.

TERMS

ZLINE warranties apply only to the original purchaser of a ZLINE product installed for normal residential use. This is defined as a single-family, residential dwelling in a non-commercial setting. Any warranty claim stemming from installation, operation, or any other use within a commercial setting is not covered under this limited warranty. Commercial settings include, but are not limited to: schools, churches, hotels, restaurants, vacation rentals such as Airbnb, daycare centers, private clubs, fire stations, common areas in multi-family dwellings, nursing homes, food service locations, and institutional food service locations such as hospitals or correctional facilities.

This warranty is non-transferable and will not under any circumstance be extended based on the date of installation — the warranty period takes effect from the date of delivery and only covers the original purchaser. The warranty applies only to products installed in the contiguous United States and the District of Columbia.

WARRANTY

Failure to secure certified warranty service per these terms will result in a forfeiture of the remaining warranty. Out-of-pocket payments will not be reimbursed unless prior approval is received from ZLINE and/or ZLINE-certified service contract partners. Unapproved out-of-pocket payments for service will not be reimbursed. All warranty procedures must be followed to maintain warranty coverage.

If a product qualifies within the service window provided under these warranty terms, and ZLINE is unable to repair the product or a defective part of the product after a reasonable number of attempts, ZLINE reserves the right to offer to replace the defective part or the product or provide the original purchaser a full refund of the purchase price of the product (not including installation, removal, or other charges that were not included in the original purchase price).

The original purchaser of the product must provide the original proof of purchase, including the purchase date, when filing a claim to obtain replacement parts, service, or refunds. Additionally, the original purchaser of the product must provide the serial number of the product when filing a claim to obtain replacement parts, service, or refunds.

This warranty shall not apply to any ZLINE product in which the original factory serial number has been removed, altered, or cannot be readily determined for any reason. Further, ZLINE is not responsible for damage resulting from, but not limited to: shipment, delivery, or improper installation; negligence or improper maintenance, misuse, or abuse of the product; unauthorized alteration, modification, or tampering with the product; accident, fire, floods, pest infestations, pandemics, natural disasters, or any other unpreventable or unexplained acts of nature, commonly referred to as "acts of God"; flare-up fires or damages caused by improper electric supply, electrical line current, voltage, or power surges; and service to correct installation not in accordance with the instructions contained in ZLINE's product manuals and/or with local government codes.

In the event service is dispatched, and it is discovered that the reported issue is not covered under warranty based on the disclaimers above, the customer will be responsible for all service fees. Failure to pay these fees will result in the forfeiture of remaining warranty coverage.

WARRANTY



SERVICE

For warranty service, please contact our Customer Service team at 1-614-777-5004 or visit www.zlinekitchen.com/contact to utilize our online Customer Experience Portal.



Scan the QR code to view the most up-to-date version of our user manual and installation manual.



Need to purchase a part or accessory for your ZLINE product?
Visit www.zlineparts.com, ZLINE's official parts distribution partner.

1.1.2

1-614-777-5004

www.zlinekitchen.com

contact@zlinekitchen.com

ZLINE
ATTAINABLE LUXURY®

