



Wireless Speaker

User Manual



WHAT'S IN THE BOX

- Bluetooth® Clip Speaker (1)
- USB-C to USB-A charging cable (1)
- User manual (1)



www.cat.com www.caterpillar.com
 © 2025 Caterpillar. All Rights Reserved. CAT, CATERPILLAR, LETS DO THE WORK, their respective logos, "Caterpillar Corporate Yellow", the "Power Edge" and Cat "Molded Box" trade dress as well as corporate identity marks are trademarks of Caterpillar Inc. in the United States and other countries. All other marks are the property of their respective owners. All rights reserved. CAT is a registered trademark of Caterpillar Inc. in the United States and other countries.
 ARES MANUFACTURING A DIVISION OF BOSS TECH PRODUCTS INC. • WWW.CATMOBILEACCESSORIES.COM
 1-888-955-8671 • 1021 TRADE ST. NEWAWELE, IL 60449

FUNCTION DESCRIPTION

POWER ON/OFF

Press & hold the multi-function button for 3 seconds. When the speaker turns on or off, you will hear "power on" or "power off."

LOW BATTERY

When the battery reaches low power, the speaker will prompt "battery low" every 75 seconds. If you do not connect the speaker to charge, the prompt will continue for 5-10 minutes, at which time the speaker will power off.

BLUETOOTH® MODE

After your device is successfully paired, you are ready to play music. Press & release +/- buttons to **adjust volume**. Press & hold +/- buttons to **toggle through songs**. Press & release the multi-function button to **play or pause**.

HANDS-FREE CALLING

When successfully paired with your device, press the & release the multi-function button to **answer the call**. Press & release the multi-function button again to **end the call**.

TWS (TRUE WIRELESS STEREO)

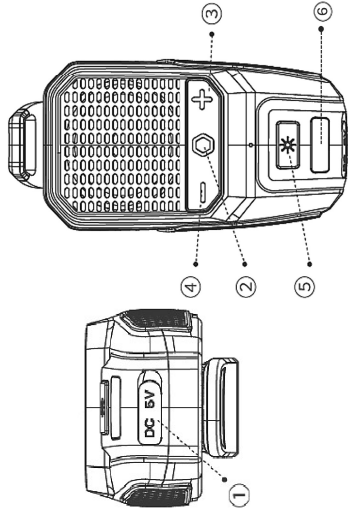
If you have 2 Cat® Bluetooth® Clip Speakers, you can play music through both of them simultaneously.

- Turn on both speakers at the same time.
- On both speakers, click the multi-function button 3 times to connect
- Enable Bluetooth on your device. In the list of devices found, select "CAT-BT-CLIPSPK" to pair.

If pairing is unsuccessful, remove "CAT-BT-CLIPSPK" from the Bluetooth device list on your phone and try the connection again.

3.

BUTTON FUNCTION



1. Charging port
2. Multi-function button power on/off, pause music
3. Volume up/next track
4. Volume down/previous track
5. Flashlight on/off
6. LED indicator light/flashlight

1.

SPECIFICATIONS

Device Name: CAT-BT-CLIPSPK **Distortion Rate:** Within 5%
Bluetooth Version: Bluetooth 5.1 **Battery:** Built-in 3.7V 700mAh Lithium
Bluetooth Range: 32 feet (10 meters) **Input:** USB-C 5V 1A
Rated Power: 3W **Charge Time:** Approximately 2.5 hours
Maximum Output Power: 5W **Playtime:** Approximately 4-5 hours
Water Resistance: IP56

LED INDICATOR LIGHT

Charging: LED will be red when charging. When device has finished charging, the light will go out.
Pair Mode: The blue and red lights will alternate flashing when in pairing mode. Once pairing is complete, the light will shut off.

CONNECTING WITH BLUETOOTH®

1. Power on the speaker by holding down the **multi-function button** for 5 seconds until the LED indicator light flashes blue and red. Once powered on, the speaker is ready to pair.
2. Open the Bluetooth settings of your phone and select "CAT-BT-CLIPSPK" from the device list. Once selected, your phone will attempt to connect to the speaker.
3. When a successful connection is made, the speaker will say "paired" and the indicator light will turn off.

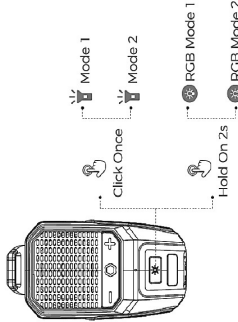
If connection fails, try restarting both your phone and the speaker, then repeat steps 1-3.

2.

FUNCTION DESCRIPTION (continued)

RGB LIGHT/FLASHLIGHT

Press & release the flashlight button once to turn flashlight on mode 1. Press & release flashlight button again to turn flashlight on mode 2. Press & release flashlight button again to turn off the flashlight. Press & hold the flashlight button for 2 seconds to turn on RGB mode 1. Press & hold the flashlight button again for 2 seconds to turn on RGB mode 2. Press & hold the flashlight button again for 2 seconds to turn off RGB mode.



TROUBLESHOOTING

I can't hear any music.

Make sure the volume is turned up on both your device and the speaker. If you still don't hear anything, try pairing the speaker again.

I can't answer phone calls.

Not all phones support hands-free calling. Please refer to your cellular device manual.

4.

TROUBLESHOOTING (continued)

I'm having trouble pairing my Bluetooth® device.

Make sure your device supports Bluetooth. If so, ensure Bluetooth is on. If the speaker doesn't show up in your list of nearby Bluetooth devices, try restarting the speaker.

Note: you may not be able to pair your device to the speaker if another device is already connected.

Still having problems? Give us a call.

Toll free: 888-550-2837
 Hours: Monday-Friday, 8am-5pm CST

ATTENTION

- Do not expose speaker to extreme heat or cold.
- Do not submerge speaker in water.
- Do not attempt to disassemble, repair, or modify this product.
- Speaker contains a built-in lithium battery - please use proper methods when disposing.
- Always avoid contact with open flame. If ignited, lithium batteries produce toxic fumes.
- In the event of a malfunction, turn off the power and unplug the speaker from any device or charging cable to prevent damage to the speaker or other components.

5.

This device complies with Part 15 of the FCC Rules. Operation is subject to the following two conditions: (1) this device may not cause harmful interference, and (2) this device must accept any interference received, including interference that may cause undesired operation.

Changes or modifications to this unit not expressly approved by the party responsible for compliance could void the user's authority to operate the equipment.

NOTE: This equipment has been tested and found to comply with the limits for a Class B digital device, pursuant to Part 15 of the FCC Rules. These limits are designed to provide reasonable protection against harmful interference in a residential installation. This equipment generates uses and can radiate radio frequency energy and, if not installed and used in accordance with the instructions, may cause harmful interference to radio communications. However, there is no guarantee that interference will not occur in a particular installation. If this equipment does cause harmful interference to radio or television reception, which can be determined by turning the equipment off and on, the user is encouraged to try to correct the interference by one or more of the following measures:

- Reorient or relocate the receiving antenna.
- Increase the separation between the equipment and receiver.
- Connect the equipment into an outlet on a circuit different from that to which the receiver is connected.
- Consult the dealer or an experienced radio/TV technician for help.

This device and its antenna(s) must not be co-located or operation in conjunction with any other antenna or transmitter.

Radiation Exposure Statement

The device has been evaluated to meet general RF exposure requirement in portable exposure condition without restriction.