

LA CROSSE®
TECHNOLOGY

OUTDOOR WINDOW THERMOMETER



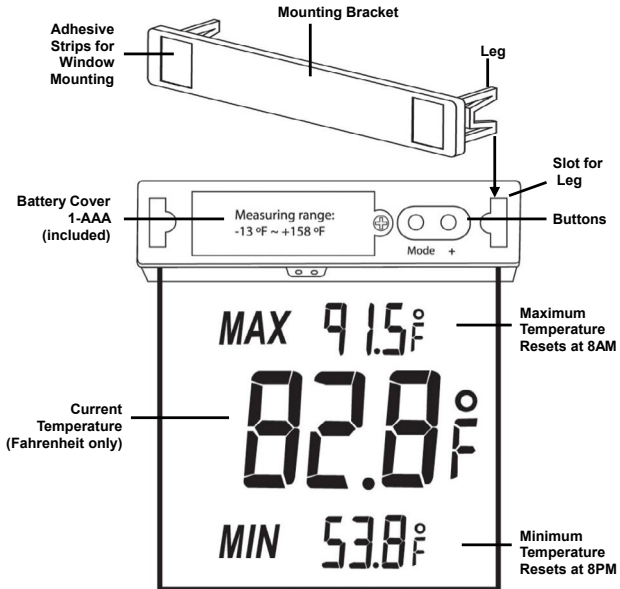
MODEL: WS-1025U
DC: 110920

For more product information visit: bit.ly/laxtech_support



POWER UP

1. Grasp both ends of the Mounting Bracket and detach it from the Window Thermometer.
2. Use a screwdriver to open the Battery Cover and remove the plastic tab from under the AAA battery. Thermometer should turn on.
3. Replace Battery Cover and set the time. This will help ensure your MIN/MAX values reset correctly.
4. Follow the mounting steps under POSITIONING for best results.



SET TIME

1. Hold the MODE button to enter the Settings Menu.
2. Use the + button to adjust, and MODE to confirm.

Settings Menu order:

- Hour
- Minutes

POSITIONING

1. Select a location where the Window Thermometer will be out of direct sunlight for accurate readings.
2. Clean your window and remove the Adhesive Strip covers from the Mounting Bracket.
3. Firmly press the bracket onto your window surface, holding the Adhesive Strips down for a good 30 seconds.
4. Reattach the Window Thermometer onto the Mounting Bracket.
5. For improved visibility, UV, and rain protection, slide the included plastic plate onto the back of the thermometer.

MIN/MAX TEMPERATURE

- The minimum temperature automatically resets at 8:00 P.M.
- The maximum temperature automatically resets at 8:00 A.M.

Note: Time needs to be set correctly for accurate minimum and maximum temperatures over the past 24 hours.

BUTTON FUNCTIONS

MODE

+

MODE	Hold to enter the Settings Menu.
+ (PLUS)	Press to adjust values. Hold to increase quickly.

LOW BATTERY

When the Low Battery Icon  appears on the LCD, a battery change will soon be needed.

1. Grasp both side of the thermometer and pull back firmly.
2. Use a screwdriver to remove the Battery Cover and replace the AAA battery.
3. With the cover securely screwed back in place, reattach the thermometer to the Mounting Bracket.

REMOVE MOUNTING BRACKET FROM WINDOW

The bracket is attached via strong adhesive tape.

1. To remove, gently slide a flat blade under one of the Adhesive Strips. Slowly and firmly pull that end away from the window.
2. Repeat step 1 with the other side of the Mounting Bracket.

Note: The adhesive will not release unless you pull slowly. You may need to replace the adhesive tape once the mounting bracket has been removed.

WE'RE HERE TO HELP!

If you require additional support, get in touch with our friendly customer support team based out of La Crosse, WI.

Phone: 1-608-782-1610

Online: bit.ly/contact_techsupport

Our knowledgeable customer support team is available:
Monday-Friday, 8am-6pm CST.

JOIN THE CONVERSATION

Ask questions, watch detailed setup videos, and provide feedback on our social media outlets!



SPECIFICATIONS

Measuring range: -13°F to +158°F (Fahrenheit only)

Accuracy*: 32°F to 122°F \pm 1.8°F, otherwise \pm 2.7°F

Resolution: 0.1°F (0.1°F)

Battery: 1 “AAA” LR3 alkaline battery (included)

Receiver: 3.75” L x 0.75” W x 4.00” H

*Direct sunlight may inflate temperature readings

WARRANTY INFO

La Crosse Technology, Ltd. provides a **1-year limited time warranty** (from date of purchase) on this product relating to manufacturing defects in materials & workmanship.

La Crosse Technology, Ltd
2830 S. 26th St.
La Crosse, WI 54601

For Full Warranty Details, Visit: www.lacrossetechnology.com/pages/warranty

CARE + MAINTENANCE

- Do not mix old and new batteries.
- Do not mix Alkaline, Lithium, standard, or rechargeable batteries.
- Always purchase the correct size and grade of battery most suitable for intended use.
- Clean the battery contacts and also those of the device prior to battery installation.
- Ensure the batteries have with correct polarity (+ / -).
- Remove batteries from equipment that will not to be used for an extended period.
- Promptly remove expired batteries.

FCC STATEMENT

This equipment has been tested and found to comply with the limits for a Class B digital device, pursuant to part 15 of the FCC Rules. These limits are designed to provide reasonable protection against harmful interference in a residential installation. This equipment generates, uses and can radiate radio frequency energy and, if not installed and used in accordance with the instructions, may cause harmful interference to radio communications. However, there is no guarantee that interference will not occur in a particular installation. If this equipment does cause harmful interference to radio or television reception, which can be determined by turning the equipment off and on, the user is encouraged to try to correct the interference by one or more of the following measures:

- Reorient or relocate the receiving antenna.
- Increase the separation between the equipment and receiver.
- Connect the equipment into an outlet on a circuit different from that to which the receiver is connected.
- Consult the dealer or an experienced radio/TV technician for help.

This device complies with Part 15 of the FCC Rules. Operation is subject to the following two conditions:

- (1) This device may not cause harmful interference, and
- (2) This device must accept any interference received, including interference that may cause undesired operation.

CAUTION!

Any changes or modifications not expressly approved by the party responsible for compliance could void the user's authority to operate the equipment.

All rights reserved. This manual may not be reproduced in any form, even in part, or duplicated or processed using electronic, mechanical or chemical process without the written permission of the publisher.

This booklet may contain errors or misprints. The information it contains is regularly checked and corrections are included in subsequent editions. We disclaim any responsibility for any technical error or printing error, or their consequences. All trademarks and patents are recognized.



WARNING: This product can expose you to chemicals including styrene, which is known to the State of California to cause cancer. For more information go to: www.P65Warnings.ca.gov