

# Vacuum cleaner

User's manual

EN



**SENCOR®**

SVC 1020 (Chilli)

Before first use, please read all instructions contained in this user's manual carefully, even if you are already familiar with the use of similar products. Only use this product in accordance with the instructions described in the user's manual. Store the user's manual in a safe place for future reference.

Save the original packaging, material, warranty card and proof of purchase receipt, at least for the duration of the warranty policy. If you need to ship this product back, pack it in the original cardboard box to ensure maximum protection during shipping or transport (e.g. when moving or when you need to send this product for repair).

EN-1

## CONTENTS

IMPORTANT SAFETY NOTICE . . . . .	2
DESCRIPTION . . . . .	5
ASSEMBLY . . . . .	6
USING YOUR VACUUM CLEANER . . . . .	6
USING YOUR ACCESSORIES . . . . .	7
STORAGE OF THE VACUUM CLEANER . . . . .	8
CLEANING AND MAINTENANCE . . . . .	8
TROUBLESHOOTING . . . . .	11
TECHNICAL SPECIFICATIONS . . . . .	12
PRODUCT INFORMATION SHEET . . . . .	13
DISPOSAL OF USED ELECTRICAL AND ELECTRONIC EQUIPMENT . . . . .	14
INSTRUCTIONS AND INFORMATION REGARDING THE DISPOSAL OF USED PACKAGING MATERIALS . . . . .	14

# Vacuum cleaner

SVC 1020 (Chilli)

EN

## IMPORTANT SAFETY NOTICE

- 1) Carefully unpack the product, and take care not to throw away any part of the packaging material before you have found all parts of the product.
- 2) This product may not be used by any persons (including children) with mental disabilities, weak strength or by inexperienced persons, unless they have been properly trained or schooled in the safe use of the product, or unless they are properly supervised by a qualified person who is responsible for their safety.
- 3) Children must be supervised to ensure that they do not play with the product.
- 4) Before connecting this product to an electrical outlet, make sure the voltage stated on the label of the product corresponds to the voltage in your wall socket.
- 5) Never use accessories, that are not supplied with this product or not designed for use with this product.
- 6) Do not place the power cord near hot surfaces, or over sharp objects. Do not place heavy objects on the power cord. Position the cord so that it cannot be stepped on or tripped over. Make sure the power cord is not touching a hot surface.
- 7) If the power cord is damaged, have an authorised service or qualified person replace it, in order to prevent hazardous situations. It is forbidden to use the product if it has a damaged power cord or plug.
- 8) Do not disconnect the electric power cord from the wall outlet by pulling on the cord.
- 9) In no case should you attempt to repair the unit yourself, do not make any modifications to it - danger of electric shock! Entrust all repairs and adjustments to a specialised company/service. Failure to do so will expose you to a danger of voiding the warranty policy.
- 10) Never touch or use the product if you have wet hands or feet.
- 11) Store and use the product away from flammable or volatile materials and solutions.
- 12) This product is designed for household use. Do not use in industrial surroundings or outdoors!
- 13) Do not use the product for any other purposes than those intended.
- 14) Do not spray the product with water or any other liquid. Do not pour water or any other liquids into the product. Do not submerge the product in water or any other liquid.
- 15) Make sure the product will not come in contact with water. Never use the product near a bathtub, wash basin or any other containers filled with water.
- 16) If you are not using your product, disconnect the power cord from the socket.
- 17) If the product is not used, turn it off and disconnect the power cord from the wall outlet. Prior to cleaning, proceed in the same manner.
- 18) Never leave the product switched on without supervision.
- 19) In order to avoid deformation or a fire in the plastic components of the product, do not expose the product to direct sunlight, do not place it close to heaters, open fires or other sources of heat and do not leave the product operating for too long, if the air input is blocked.
- 20) Do not use the product in an environment with excessive dust.
- 21) Use extra care if the product is used near children. Always keep the product out of the reach of children.
- 22) If the product is being used, do not block its air input and output openings. Blocked air vents may cause overheating and motor damage.
- 23) Vacuuming objects mentioned below may damage your product or cause injuries to operating person:
  - wet floor, water or other liquids
  - any type of sharp objects such as broken glass or ceramics, needles, pins, etc.
  - burning cigarettes, or smouldering pieces, matches or any other flammable or volatile liquids (e.g. gasoline, paint thinners, etc.)
  - flour, cement, plaster (i.e. dust from holes drilled in walls)
- 24) In order to avoid damage to furniture or injuries to persons, hold the cord in your hands as it winds up.
- 25) Do not product larger pieces of paper or plastic bags. They may easily clog the pipe or hose. In case the vacuum becomes clogged for any reason, turn it off by removing it from the electric socket and clean the pipe or hose.
- 26) In order to avoid damage to the hose, do not step on it or forcefully bend it. Do not use the vacuum cleaner if the hose is bent or damaged in any other way.
- 27) Do not move over the power cord with the vacuum cleaner.
- 28) Never use the vacuum cleaner without the protective motor filter, the output filter, the dust container or the HEPA filter.

EN-3

# Vacuum cleaner

SVC 1020 (Chilli)

- 29) Do not place the vacuuming hose, inlet nozzle or vacuuming accessories near to your eyes or ears.
- 30) Vacuuming of some types of floors or floor tiles can create a static electricity charge, which is not dangerous for the user.

The manufacturer is not responsible for damages caused by incorrect use of this product or its accessories. Such damages include food spoilage, injuries, burns, scalding, fire, etc.

# Vacuum cleaner

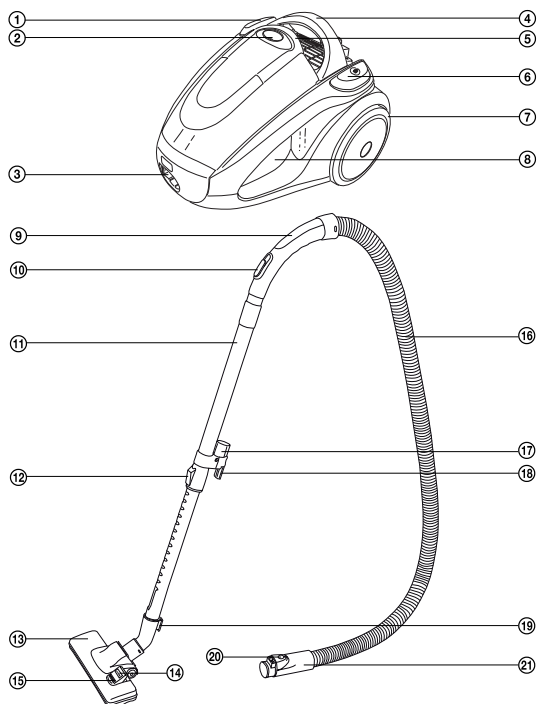
SVC 1020 (Chilli)

EN

## DESCRIPTION

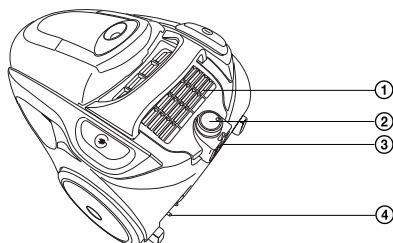
### A.

- ① START / STOP button
- ② Dust container full indicator
- ③ Vacuuming hose connection hole
- ④ Vacuum cleaner handle
- ⑤ Dust container handle
- ⑥ Cord winding button
- ⑦ Wheel with rubber rim
- ⑧ Dust container
- ⑨ Handle
- ⑩ Sliding knob for air suction
- ⑪ Telescopic tube
- ⑫ Safety lock for the telescopic tube
- ⑬ Floor inlet nozzle
- ⑭ Flap position for vacuuming carpets
- ⑮ Flap position for vacuuming hard (smooth) floors
- ⑯ Hose
- ⑰ Accessory holder
- ⑱ Stopper for the vertical parking position
- ⑲ Stopper for the horizontal parking position
- ⑳ Safety lock
- ㉑ Hose end



### B.

- ① Cover of the input micro-filter
- ② Motor power output control
- ③ Horizontal parking position
- ④ Electric cord



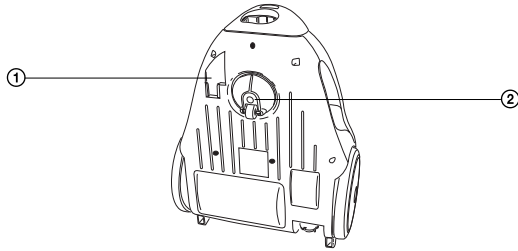
EN-5

# Vacuum cleaner

SVC 1020 (Chilli)

C

- ① Vertical parking position
- ② Front wheel mechanism



## ASSEMBLY

### Inserting the hose into the air suction hole on the vacuum cleaner.

Press the safety button on the hose end and insert the hose end into the air suction hole on the vacuum cleaner until you hear „click“. The hose is now secured in the correct position.

### Attach the holder to the telescopic tube:

Make sure to place the holder with the hose on the wider part of the telescopic tube.

### Attach the floor inlet nozzle to the telescopic tube:

Make sure the floor nozzle is attached the narrower part of the telescopic tube.

### Adjust the length of the telescopic tube:

Adjust the length of the telescopic tube as follows: Move and hold the button on the tube forward in the direction of the arrows and adjust the length of the tube as required. Release the button and move the tube slightly forward until you hear a „click“. The telescopic tube is now securely fixed in position.

## USING YOUR VACUUM CLEANER

### Connecting your vacuum cleaner to the electrical power mains

Pull the plug attached to the power cord out from the vacuum cleaner until the desired length of the cord is out of the product. Insert the plug into the power socket.



#### Caution:

Yellow marking on the supply cable warns that the cable is close to its end. Do not pull the cord further than the red marking.

### Adjusting the floor inlet nozzle according to the floor surface.

You may set the inlet nozzle according to the floor surface by adjusting the inlet flap:

- If you want to vacuum carpets, close the bristles of the inlet inside the inlet nozzle, by turning the flap accordingly.
- If you want to vacuum hard and smooth surface, move the bristles out of the nozzle, by turning the flap accordingly.

# Vacuum cleaner

SVC 1020 (Chilli)

EN

## Turning your vacuum cleaner on and off

To switch your machine on or off, press the START / STOP button on the vacuum cleaner body.

## Adjusting the suction strength

The suction strength may be adjusted by moving the rider on the vacuum cleaner body ( small range) or by the moveable rider on the hose handler.



### Tip

- Use the maximum suction strength when vacuuming carpets or floors with a hard surface. Use the reduced strength when vacuuming upholstery, window curtains, etc.
- If the hose holder becomes blocked when vacuuming, disconnect it from the telescopic tube and also disconnect the hose from the vacuum cleaner body. Then place the holder inside the suction hole on the vacuum cleaner body and vacuum the stuck dirt out.

## Temporary interruption of the vacuuming process

If you want to stop vacuuming for a short time, you may use one of the parking positions:



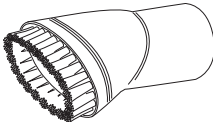
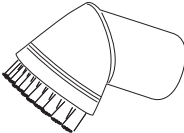
- for the horizontal parking position use the lug at the end of the floor nozzle,
- for the vertical parking position use the lug on the telescopic tube.



### Caution:

Do not move the vacuum cleaner from place to place if the hose is in the parked position! It may break or the lugs for the floor nozzle or telescopic tube may break off.

## USING YOUR ACCESSORIES

D		
① Slot nozzle for vacuuming in hard to reach places (e.g. windows, corners, book shelves, areas between mattresses, upholstery, etc.)		
② Upholstery nozzle		
③ Brush nozzle (by turning the brush part it is possible to use it for vacuuming hard to reach places)		



### Tip:

If during vacuuming you use an accessory very often, you may attach it to the special holder on the telescopic tube.

# Vacuum cleaner

SVC 1020 (Chilli)

## Ending the vacuuming process

When you finish vacuuming, switch the vacuum cleaner off by pressing the START / STOP button and then disconnect the power cord plug from the socket.

To wind the power cord back to the vacuum cleaner, press and hold the winding button with one hand. Hold the cord with your other hand to protect the vacuum cleaner input area from damage



### Tip:

If the winding process stops and part of the power cord is still outside, release the winding button and pull the cable out again by about 50 cm and press the winding button again and repeat the winding process.

## Carrying your vacuum cleaner

If you need to carry the vacuum cleaner, hold it only by the handle.



### Caution:

Never try to carry your vacuum cleaner by holding the dust container handle!

## STORAGE OF VACUUM CLEANER

Before storage you can disassemble your product to each individual part or you can store it assembled with the telescopic tube stored in one of the parking positions.

## CLEANING AND MAINTENANCE

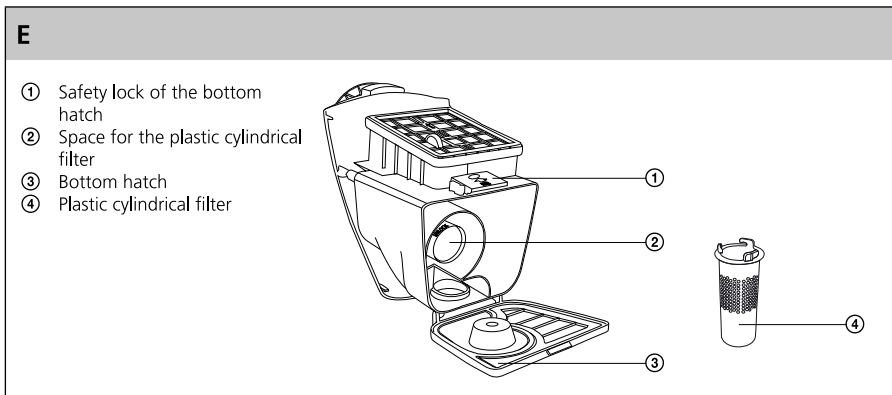


### Caution:

Unplug this product before cleaning.

## Emptying the dust container

Empty the dust container as soon as the full container warning light comes on; otherwise the air flow and the suction strength will be reduced.



- 1) Open the handle of the dust container in the upward direction and take the whole container out of the body of the vacuum cleaner.
- 2) Place the dust container above a waste bin
- 3) Press the safety notch on the dust container and the bottom of the container will open.

# Vacuum cleaner

SVC 1020 (Chilli)

EN

- 4) By turning in the anti-clockwise direction remove the plastic cylindrical filter from the container, tip out the dust and if necessary wash under running lukewarm water.
- 5) In the same way tip out the dust and dirt from the container into standard household waste. If the container is heavily soiled you may wash the entire container under lukewarm running water. However, before doing so, it is necessary to remove the H.E.P.A. filter and its foam pre-filter from the container!
- 6) Then insert the plastic cylindrical filter back into the dust container and lock by turning in the clockwise direction.
- 7) Close the bottom lid of the container. Make sure the safety lock button is engaged.
- 8) Place the dust container back into the vacuum cleaner.



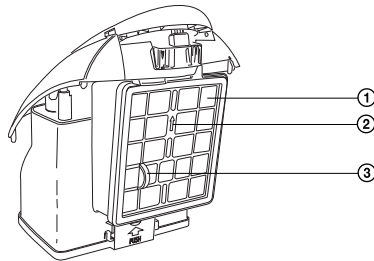
### Caution:

Before replacing the dust container and the plastic cylindrical filter back into the vacuum cleaner, make sure that all parts are completely dry.

## Changing and cleaning the H.E.P.A. filter and the foam pre-filter

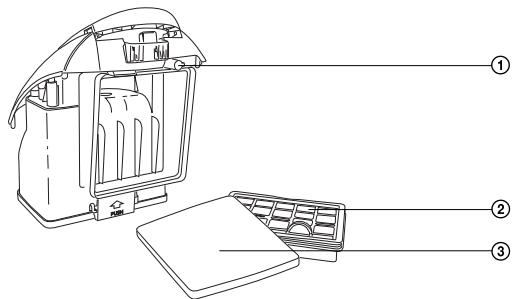
### F

- ① H.E.P.A. filter
- ② Arrow showing direction for insertion of the H.E.P.A. filter
- ③ Holder for the H.E.P.A. filter



### G

- ① Safety lock
- ② H.E.P.A. filter
- ③ Foam pre-filter



- 1) Open the handle of the dust container in the upward direction and take the whole container out of the body of the vacuum cleaner.

# Vacuum cleaner

SVC 1020 (Chilli)

- 2) By pulling on the holder remove the H.E.P.A. filter from the dust container, behind it remove the foam pre-filter.
- 3) Wash both filters under running lukewarm water or if necessary replace with new ones.
- 4) Then first insert the foam pre-filter and afterwards the H.E.P.A. filter. At the same time ensure that the direction arrow for the insertion of the H.E.P.A. filter is pointing downwards.
- 5) Place the dust container back into the vacuum cleaner.



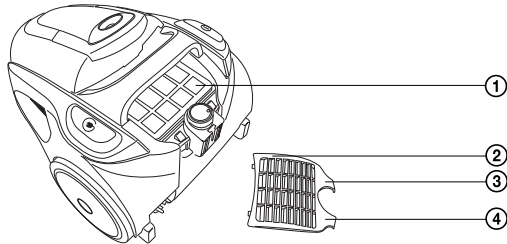
### Caution:

Never insert the filters back into the vacuum cleaner if they are wet or damp! Always wait until they are thoroughly dry. The dust container is equipped with a safety lock (see. pic. G ①), which in the absence of the H.E.P.A. filter will not make it possible to insert the dust container into the vacuum cleaner.

### Changing the outlet filter

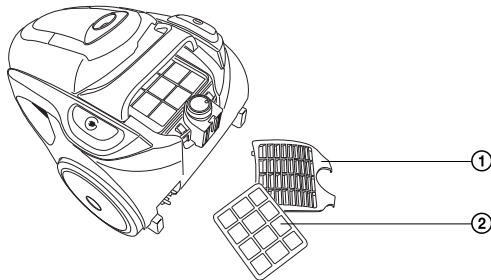
#### H

- ① Inflow micro filter
- ② Cover of the input micro-filter
- ③ Cover lock
- ④ Cover lock



#### I

- ① Cover of the input micro-filter
- ② Inflow micro filter



- 1) First remove the grill of the inflow filter by pulling upwards in the place of both safety locks.
- 2) Then remove the outflow filter and replace with a new one.
- 3) Insert the dust filter back into the vacuum cleaner and cover with the grill (first insert the grill in the backward direction and then click in both locks).

# Vacuum cleaner

SVC 1020 (Chilli)

EN



## Caution:

Make sure you put the inflow filter in the vacuum cleaner with the plastic grill facing outwards!

## Cleaning your vacuum cleaner.

To clean the outer parts of the product, use a soft cloth dipped in lukewarm water. Do not use aggressive cleaning agents, paint thinners or solvents. Using these solutions could damage the surface of the scale.

## TROUBLESHOOTING

Before you decide to contact an authorized service centre, please read these following tips in the troubleshooting chart:

Problem	Possible cause	Recommended action
The engine will not start	<ul style="list-style-type: none"><li>- The power cord is not firmly inserted in the socket</li><li>- The wall power outlet is damaged</li><li>- The vacuum cleaner is not switched on</li></ul>	<ul style="list-style-type: none"><li>- Insert the plug firmly into the power outlet</li><li>- Inspect the power outlet</li><li>- Turn the product on</li></ul>
The suction output is insufficient	<ul style="list-style-type: none"><li>- The product is clogged</li><li>- The dust filter needs cleaning</li><li>- The dust container is inserted in the wrong position</li><li>- The filter is clogged</li></ul>	<ul style="list-style-type: none"><li>- Remove the blockage or foreign object</li><li>- Clean the dust filter</li><li>- Close the dust container</li><li>- Clean the filter</li></ul>
The power cord is not wound in completely	The power cord may have slipped down from the winding pulley during winding	Hold the power cord during the winding. Apply slight tension (by pulling the power cord back) to the power cord during the winding process
The cable cannot be pulled out	The cable is wound up incorrectly	Press the winding button and try to rewind the power cord again
The speed control is not working	The product is malfunctioning	Have the product repaired by technician (only by a qualified technician)
The power cord starts to wind in when you do not require it	The winding mechanism has broken down	Have the product repaired by technician (only by a qualified technician)
The dust container cannot be closed	The dust filter is inserted incorrectly or in an incorrect position	Reinstall and secure the filter in position and try again

**TECHNICAL SPECIFICATIONS**

Voltage .....	220–240 V
Nominal frequency: .....	50 Hz
Rated power input: .....	700 W
Safety class (with regard to electric shock protection) .....	II
Noise level .....	75 dB(A)
Length of electric cord: .....	6 m
Operational range .....	8,5 m
Dust container capacity .....	1.8 l
Dimensions (length x width x height) .....	410 x 315 x 270 mm
Weight .....	5.4 kg

The declared noise emission level for this appliance is 75 dB(A), which represents level A of the acoustic power relative to the reference acoustic power of 1 pW.

Amendments to text and technical parameters are reserved.

# Vacuum cleaner

SVC 1020 (Chilli)

EN

## PRODUCT INFORMATION SHEET

Name/trademark	SENCOR
Model identification number	SVC 1020
Energy efficiency class*	A
Annual power consumption (in kWh)**	27
Carpet cleaning efficiency class	D
Hard floor cleaning efficiency class	A
Vacuum cleaner dust emission class	C
Level of acoustic power (dB(A))	75
Rated power input (W)	700

- \* Class A (highest efficiency class, low power consumption) to Class G (lowest efficiency class, high power consumption)
- \*\* Approximate annual power consumption (in kWh per year) based on 50 cleaning cycles. Actual power consumption will depend on how the appliance is used.

The values are determined pursuant to (EU) No. 665/2013.

## INSTRUCTIONS AND INFORMATION REGARDING THE DISPOSAL OF USED PACKAGING MATERIALS

Dispose of packaging material at a public waste disposal site.

## DISPOSAL OF USED ELECTRICAL AND ELECTRONIC APPLIANCES



The meaning of the symbol on the product, its accessory or packaging indicates that this product shall not be treated as household waste. Please, dispose of this product at your applicable collection point for the recycling of electrical & electronic equipment waste. Alternatively in some states of the European Union or other European states you may return your products to your local retailer when buying an equivalent new product. The correct disposal of this product will help save valuable natural resources and help in preventing the potential negative impact on the environment and human health, which could be caused as a result of improper liquidation of waste. Please ask your local authorities or the nearest waste collection centre for further details. The improper disposal of this type of waste may fall subject to national regulations for fines.

### For business entities in the European Union

If you wish to dispose of an electrical or electronic device, request the necessary information from your seller or supplier.

### Disposal in other countries outside the European Union

If you wish to dispose of this product, request the necessary information about the correct disposal method from local government departments or from your seller.



This product meets all the basic EU regulation requirements that relate to it.

Changes to the text, design and technical specifications may occur without prior notice and we reserve the right to make these changes.