

# Instructions for use

**KitchenAid**




These instruction shall be available on website docs.kitchenaid.eu

<b>Important instructions for safety</b>	<b>4</b>
<b>Installation</b>	<b>6</b>
<b>Safeguarding the environment</b>	<b>6</b>
<b>Troubleshooting guide</b>	<b>7</b>
<b>After-sales Service</b>	<b>7</b>
<b>Cleaning</b>	<b>7</b>
<b>Extraction Modes</b>	<b>8</b>
<b>Installation</b>	<b>9</b>
<b>Hood description</b>	<b>11</b>
<b>Functioning</b>	<b>11</b>
<b>Maintenance</b>	<b>12</b>

## Important instructions for safety

### YOUR SAFETY AND THAT OF OTHERS IS HIGHLY IMPORTANT.

This manual and the appliance itself provide important safety warnings, to be read and observed at all times.

 This is the attention symbol, pertaining to safety, which alerts users to potential risks to themselves and others.

All safety warnings are preceded by the attention symbol and the following terms:


#### **DANGER:**

**indicates a hazardous situation which, if not avoided, will cause serious injury.**

#### **WARNING:**

**indicates a hazardous situation which, if not avoided, could cause serious injury.**

All safety warnings specify the potential danger/warning to which they refer and indicate how to reduce the risk of injury, damage and electrical shock resulting from incorrect use of the appliance. Comply with the following instructions:

- Installation or maintenance must be carried out by a specialized technician, in compliance with the manufacturer's instructions and local safety regulations.  
Do not repair or replace any part of the appliance unless specifically requested in the user manual.
- The appliance must be disconnected from the power supply before carrying out any installation work.
- Earthing of the appliance is compulsory. (Not necessary for class II hoods identified by the  symbol on the specifications label).
- The power supply cable must be long enough to permit connecting the appliance to the mains socket outlet.
- Do not pull the power supply cable in order to unplug the appliance.
- The electrical components must no longer be accessible to the user after installation.
- Do not touch the appliance with any wet part of the body and do not operate it when barefoot.
- This appliance may be used by children older than 8 years of age and by persons with reduced physical, sensory or mental capacities or with inadequate experience and knowledge only if they are supervised or if they have been taught how to use the appliance in conditions of safety and if they are aware of the dangers involved. Children must not play with the appliance. Cleaning and maintenance must not be carried out by children, unless they are supervised by adults.
- Do not repair or replace any part of the appliance unless specifically indicated in the manual. Defective parts must be replaced using genuine parts. All other maintenance services must be carried out by a specialized technician.
- Children must be supervised to ensure they do not play with the appliance.
- When drilling through a wall or the ceiling, pay attention not to damage electric connections and/or pipes.
- The ventilation ducts must always discharge to the outside.
- Exhaust air must not be vented through a flue used for removal of fumes produced by appliances burning gas or other fuels, but must have a separate outlet. All national regulations governing extraction of fumes must be observed.
- If the hood is used together with other appliances operating on gas or other fuels, the negative pressure in the room must not exceed 4 Pa (4 x 10<sup>-5</sup> bar).  
For this reason, make sure the room is adequately ventilated.
- The Manufacturer declines any liability for improper use or incorrect setting of the controls.
- Regular cleaning and maintenance is essential to correct functioning and good performance of the appliance. Frequently clean all encrustations from dirty surfaces to prevent the accumulation of grease. Regularly clean or replace the filters.
- Failure to observe the instructions for cleaning the hood and replacing the filters may result in a fire.
- The fume extractor hood must never be opened without the grease filters installed and it should be kept under constant supervision.
- Gas appliances must be used under the extractor hood only with pans resting.
- When using more than three gas cooking points, the hood should be operating at power level 2 or greater. This will eliminate heat congestion in the appliance.
- Before touching the bulbs, first ensure that they are cold.

- Do not use or leave the hood without its lamps correctly installed - risk of electric shock.
- Wear work gloves for all installation and maintenance operations.
- The product is not suitable for outdoor use.
- When the hob is in use, accessible parts of the hood may become hot.
- Never flame cook food (flambé) under the appliance. Using free flames might cause fire.
- Do not leave frying pans unattended when frying, as the frying oil may catch fire.

### Declaration of conformity

- This appliance has been designed, manufactured and marketed in compliance with:
  - safety objectives of the "Low Voltage" Directive 2014/35/EU;
  - the ecodesign requirements of european regulations n. 65/2014, and n. 66/2014 in conformity to the european standard EN 61591
  - the protection requirements of Directive "EMC" 2014/30/EU.

Electrical safety of the appliance can only be guaranteed if it is correctly connected to an approved earthing system.

### Scrapping of household appliances

- This appliance is manufactured with recyclable or reusable materials. Dispose of it in accordance with local waste disposal regulations. Before disposing of it, make it unusable by cutting off its power supply cable.
- For further information on the treatment, recovery and recycling of household appliances, contact your competent local authority, the collection service for household waste or the shop where you purchased the appliance.

### KEEP THESE INSTRUCTIONS

#### Energy saving tips

- Switch ON the hood at minimum speed when you start cooking and kept it running for few minutes after cooking is finished.
- Increase the speed only in case of large amount of smoke and vapour and use boost speed(s) only in extreme situations.
- Replace the charcoal filter(s) when necessary to maintain a good odour reduction efficiency.
- Clean the grease filter(s) when necessary to maintain a good grease filter efficiency.
- Use the maximum diameter of the ducting system indicated in this manual to optimize efficiency and minimize noise.

## Installation

After unpacking the appliance, check for any damage caused during transport. In case of problems, contact the dealer or the After-Sales Service. To avoid any damage, it is advisable to only remove the appliance from the polystyrene base just before installation.

### PREPARATION FOR INSTALLATION

#### **WARNING:**

**this appliance is heavy; the hood should only be lifted and installed by two or more people.**

The minimum distance between the cooking pan support on top of the cooker and the bottom of the hood must not be less than 50 cm for electric cookers and 65 cm for gas or mixed cookers. Before installation also check the minimum distances stated in the manual of the cooker. If the installation instructions for the cooker specify a greater distance between cooker and hood, this distance must be observed.

### ELECTRICAL CONNECTIONS

Make sure the power voltage specified on the appliance rating plate is the same as the mains voltage.

This information may be found on the inside of the hood, under the grease filter.

Power cable replacement (type H05 VV-F 3 x 0.75 mm<sup>2</sup>) must be carried out by a qualified electrician. Contact an authorized service centre. If the hood is fitted with an electric plug, connect the plug to a socket complying with current regulations, located in an accessible place. If no plug is fitted (direct wiring to the mains), or if the socket is not located in an accessible place, install a standardized double pole power switch that will enable complete isolation from the mains in case of category III overvoltage conditions, in accordance with wiring rules.

### GENERAL RECOMMENDATIONS

#### **Before use**

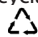
Remove cardboard protection pieces, transparent film and adhesive labels from accessories. Make sure the appliance has not been damaged during transport.

#### **During use**

Do not place weights on the appliance, as they could damage it.  
Do not expose the appliance to atmospheric agents.

## Safeguarding the environment


### Disposal of packing

The packing material is 100% recyclable and is marked with the recycle symbol . The various parts of the packing must be disposed of responsibly and in full compliance with local authority regulations governing waste disposal.

### Disposal of the appliance

- This appliance is marked in compliance with European Directive 2012/19/EU on Waste Electrical and Electronic Equipment (WEEE).

- By ensuring that this appliance is disposed of correctly, you can help prevent potentially damaging consequences for the environment and health.

- The  symbol on the product or on the accompanying documentation indicates that it should not be treated as domestic waste but must be taken to an appropriate collection centre for the recycling of electrical and electronic equipment.

## Troubleshooting guide

### The appliance does not work:

- Check the domestic power supply and ensure the appliance is connected to the mains properly.
- Switch the hood off and then on again to see if the problem has been resolved.

### The hood is not extracting satisfactorily:

- Check the extraction speed is set to the desired level;

- Check the filters are clean;
- Check the air vents are not blocked;

### The light does not work:

- Check to see if the lamp needs replacing;
- Check to see if the lamp has been fitted properly;

## After-sales Service

### Before calling the After-sales Service:

1. See if you can solve the problem yourself with the help of the "Troubleshooting guide".
2. Switch the hood off and then on again to see if the problem has been resolved.

### If, after the above checks, the problem persists, contact your nearest After-sales Service.

Always provide:

- a brief description of the problem;
- the type and specific model of the appliance;
- the Service number (this is the number which follows the word SERVICE on the dataplate), inside the appliance. The Service number is also printed on the warranty booklet;
- your full address;

- your telephone number;

**SERVICE** 0000 000 00000



If any repairs are needed, contact an authorized **Service Centre** (to ensure that only original spare parts are used and that repairs are made correctly).

## Cleaning

### **⚠ WARNING:**

- Do not use steam cleaners.
- Disconnect the appliance from the power supply.

**IMPORTANT: Do not use corrosive or abrasive detergents. If any of these products accidentally comes into contact with the appliance, clean it immediately with a damp cloth.**

- Clean the surfaces with a damp cloth. If very dirty, add a few drops of washing up detergent to the water. Dry with a dry cloth.

**IMPORTANT: Do not use abrasive sponges or metallic scrapers or scouring pads. Their use could eventually ruin the enamelled surfaces.**

- Use specific detergents to clean the appliance and follow the manufacturer's instructions.

**IMPORTANT: Clean the filters at least once a month to remove built-up oil and grease.**

**DO NOT FLUMBE UNDER THE RANGE HOOD.**

## Extraction Modes

The hood is designed to be used in two modes: Venting exhaust fumes to the outside, or by passing the air through a charcoal filter before recirculating the air back into the kitchen.

### Venting mode

The hood comes with an upper air outlet **B** for the discharge of fumes to the outside (venting pipe and fixing straps not supplied). **Fig. 1**

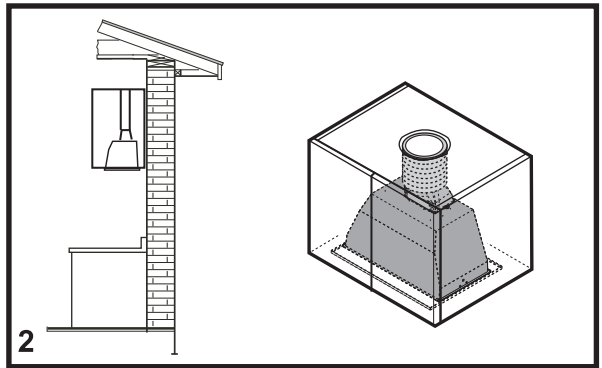
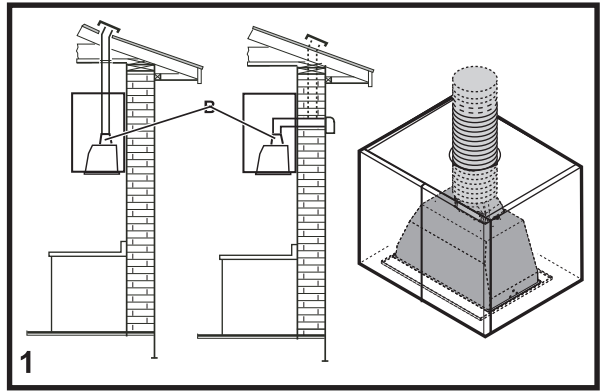
### Recirculation Mode

This mode is to be used when it is not possible to vent the air to the outside. Air is purified by passing through activated charcoal filters (not provided) and recirculated back out into the kitchen.

The air is sent back into the atmosphere via a pipe that passes through the cupboard cabinetry and is connected to the connector ring. **Fig. 2**

### Installation

The minimum distance between the upper pan support surfaces on the cooking appliance and the lowest part of the cooker hood should be no less than 50 cm in the case of electrical cookers and 70 cm in the case of gas or mixed cookers. If the installation instructions for the gas cooking appliance specify a greater distance, then follow this instruction.





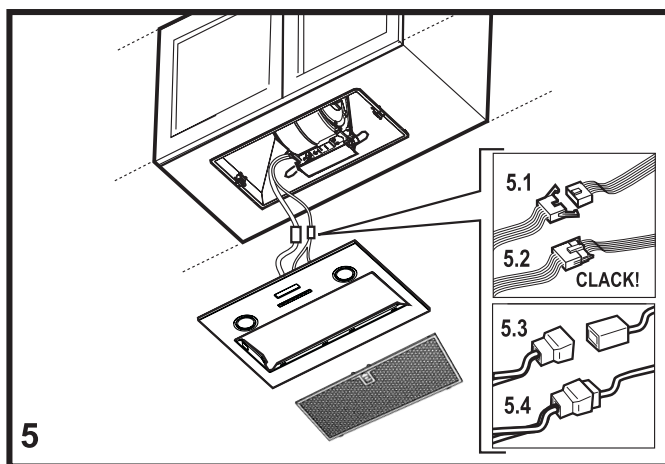
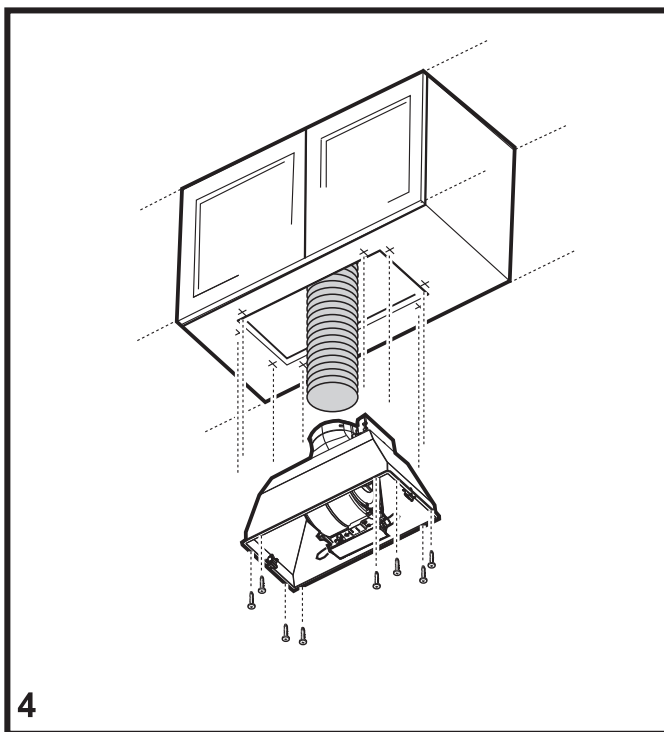
# Installation

**Fig.4**

- Connect an extraction pipe to the connection ring on the hood and, whilst you inserting the hood into the cabinetry, check that the extraction pipe and the electrical wire come out of the hole made in the top of the cupboard.
- Attach the hood to the bottom of the cupboard with 8 screws. The frame on the box has more than 8 slots for passing the screws through, use the most suitable ones for your installation making them as equidistant as possible.

**Fig. 5**

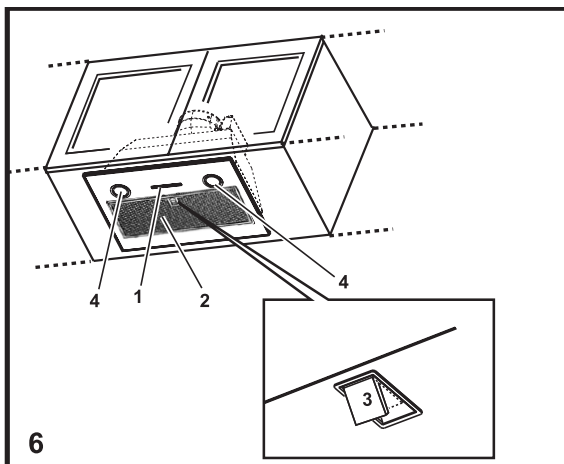
- Remove the grease filter and hook the filter support frame onto the hood. At this stage connect up the electrics on the control panel and the lights.
- Hook the filter support frame onto the hood (snap fitting onto the two side seals).
- Refit the grease filter.



## Hood description

**Fig. 6**

1. Control panel
2. Grease filter
3. Handle for unhooking the grease filter
4. Halogen bulbs



## Functioning

Turn to maximum speed when there is a lot of steam in the kitchen. We would advise you to turn the suction on 5 minutes before starting to cook and leave it running after you have finished cooking for about another 15 minutes.



- 1. ON/OFF light button:** press to turn the light on or off.
- 2. Motor ON/OFF button:** press to turn the hood on or off.  
Once the hood is on, it sucks at the speed (power) of the previously selected suction.
- 3. Extraction speed button 1**
- 4. Extraction speed button 2**
- 5. Extraction speed button 3**
- 6. Intense extraction ON/OFF speed button:** lasts about 5 minutes, after which the hood returns to previously selected extraction speed .
- 7. Timer ON/OFF button:** pressing this button can limit the running duration of the extraction selected, as follows:  
Speed 1 for 20 minutes.  
Speed 2 for 15 minutes.  
Speed 3 for 10 minutes.  
Intensive speed for 5 minutes.  
After which the hood turns itself off.

If there are any running problems, before contacting the Customer Care Centre, disconnect the appliance from the mains for at least 5 seconds by removing the plug, then reconnect again. If the problem persists, contact the Customer care Centre.

## Maintenance



Always disconnect the power supply before carrying out any kind of maintenance work.

### Cleaning

The hood should be cleaned regularly both inside and out (at least as often as you carry out maintenance on the grease filters).

Use a damp cloth with mild cleaning products. Avoid using harsh products. **DO NOT USE ALCOHOL!**

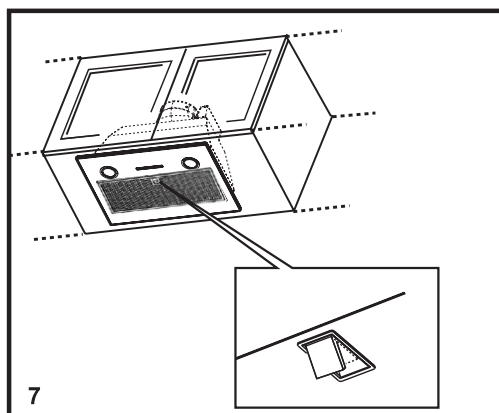
**Warning: Failure to follow the cleaning instructions on the hood and the replacement and cleaning of the filters, could lead to a fire starting. Please, therefore, follow the instructions given carefully.**

### Grease filter

It should be cleaned by hand once a month with mild cleaning products, or in the dishwasher at a low temperature and on the short cycle.

When washing in the dishwasher, the metallic grease filter might discolour but its filtering abilities remain unchanged.

In order to dismantle the grease filter, pull the spring handle to unhook it. **Fig. 7**



### Carbon filter (only in recirculation mode) **Fig. 8**

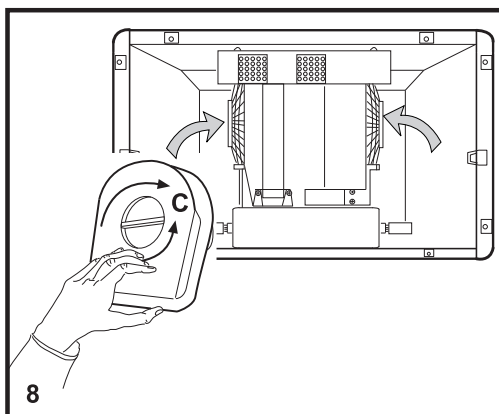
The Activated Carbon Filter absorbs the unpleasant smells produced when cooking.

The saturation of the carbon filter varies depending on the installation, usage and how often the grease filters are cleaned.

In any case, the cartridge must be replaced at least once every four months.

#### Fitting/dismantling the carbon filter:

- Remove the grease filter, unhook the filter support frame taking care to disconnect the control panel and lights (**see Fig. 5**).
- Attach a carbon filter on each side to cover both the protection grills on the motor impeller, then turn the central handle **C** on the filters clockwise. Turn the central handle **C** on each filter anticlockwise to dismantle.
- Refit the filter support frame, re-connecting the control panel and lights and refitting the grease filter.



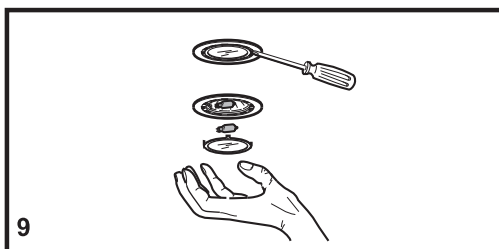
### Replacing the bulbs **Fig. 9**

Disconnect the appliance from the mains supply.

**Warning! Before touching the light bulbs make sure they have cooled down.**

1. Remove the protective cover using a small flat screwdriver or a similar tool.
2. Replace the blown bulb.  
Only use 20W max (G4) halogen bulbs, and do not touch them with your bare hands.
3. Fit the light cover on again (clicks into place).

If the light does not work, check that the bulb has been inserted properly before calling the Customer Care Centre.











FOR THE WAY IT'S MADE.

Printed in Italy  
06/16

**400010893099**

