



AIR CONDITIONER Owner's Manual.....	1 - 11
CLIMATISEUR Manual du propriétaire.....	12 - 22
AIRE ACONDICIONADO Manual del propietario.....	23 - 33

MODEL • MODÈLE • MODELO DAC080BHUWDB
--



Welcome

Welcome to the Danby family. We are proud of our quality products and we believe in dependable service. We suggest that you read this owner's manual before plugging in your new appliance as it contains important operation information, safety information, troubleshooting and maintenance tips to ensure the reliability and longevity of your appliance.

Visit www.Danby.com to access self service tools, FAQs and much more. For additional assistance call **1-800-263-2629**.

Note the information below; you will need this information to obtain service under warranty.

You must provide the original purchase receipt to validate your warranty and receive service.

Model Number: _____

Serial Number: _____

Date of Purchase: _____

Need Help?

Before you call for service, here are a few things you can do to help us serve you better.

Read this owner's manual:

It contains instructions to help you use and maintain your appliance properly.

If you receive a damaged appliance:

Immediately contact the retailer or builder that sold you the appliance.

Save time and money:

Check the troubleshooting section at the end of this manual before calling. This section will help you solve common problems that may occur.



1-800-26- Danby
(1-800-263-2629)



Important Safety Information

READ AND FOLLOW ALL SAFETY INSTRUCTIONS

ELECTRICAL REQUIREMENTS

All wiring must comply with local and national codes and must be installed by a qualified electrician. Check the available power supply and resolve any wiring problems before installing and operating this appliance.

The rating plate located on the right side of the appliance just above the power cord contains electrical and other technical data.

This appliance is not designed for "through the wall" installation.

GROUNDING INSTRUCTIONS

This appliance must be grounded. Grounding reduces the risk of electrical shock by providing an escape wire for the electrical current.

This appliance has a cord that has a grounding wire with a 3-prong plug. The power cord must be plugged into an outlet that is properly grounded. If the outlet is a 2-prong wall outlet, it must be replaced with a properly grounded 3-prong wall outlet.

WARNING - Improper use of the grounding plug can result in a risk of electric shock. Consult a qualified electrician or service agent if the grounding instructions are not completely understood, or if doubt exists as to whether the appliance is properly grounded.

Do not connect your appliance to extension cords or together with another appliance in the same wall outlet. Do not splice the power cord. Do not under any circumstances cut or remove the third ground prong from the power cord. Do not use extension cords or ungrounded (two prongs) adapters.

If the power supply cord is damaged, it must be replaced by the manufacturer, its service agent or similar qualified person in order to avoid hazard.

LOCATION

This air conditioner is designed for easy installation in single or double hung windows. Since window designs vary, it may be necessary to make some modifications for safe installation.

This air conditioner is not designed for vertical, slider type windows or "through the wall" installation.

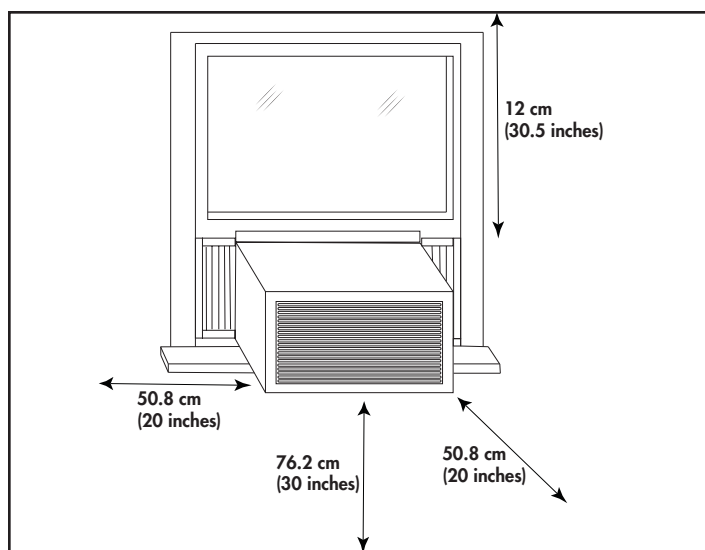
Ensure that the window and frame are structurally sound and free from dry or rotted wood.

Install the air conditioner in a window on a side of the building which favors more shade than sunlight. If the appliance must be in direct sunlight, it is advisable to provide a shade awning over the appliance to ensure efficient functioning.

Do not install the appliance where leakage of combustible gas is suspected.

This appliance is designed to evaporate condensation under normal conditions. Under extremely hot or humid conditions, excess condensation may overflow to the outside. The appliance should be installed where condensation cannot drip on pedestrians or neighboring properties.

Provide sufficient clearance around the appliance to allow ample air circulation. The rear of the appliance should be outdoors, it should not be in a garage or another room. Keep the appliance away from obstacles and at least 76 cm (30 inches) above the ground. Ensure that curtains and other obstructions do not block air flow to the appliance.



SAVE THESE INSTRUCTIONS!

INSTALLATION INSTRUCTIONS

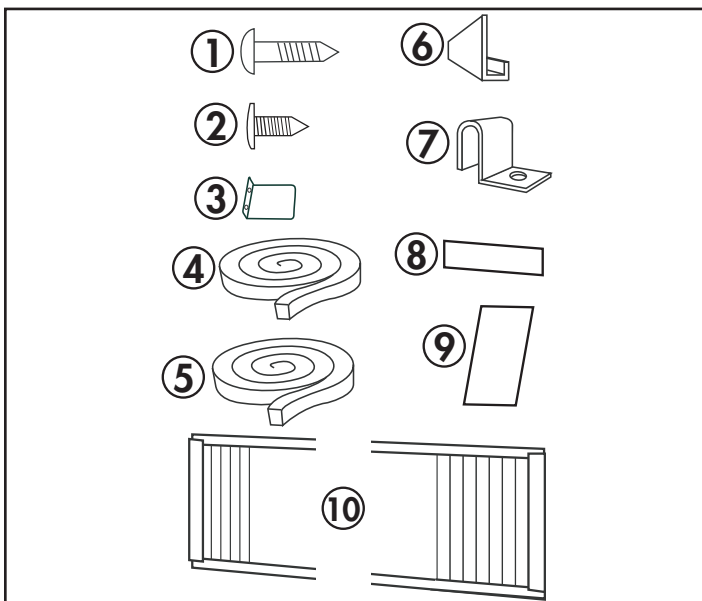
REQUIRED TOOLS

- Screwdrivers: Phillips and flat head.
- Power Drill: 3.2mm (1/8in.) diameter drill bit
- Pencil
- Measuring Tape
- Scissors
- Carpenter's Level

ACCESSORIES

The following accessories are included with the appliance and should be used during the installation.

1. 13 mm (1/2 inch) screws (x7)
2. 9.5 mm (3/8 inch) screws (x4) (Factory installed on some models.)
3. Safety Lock (x1)
4. Adhesive Foam Seal (x1)
5. Regular Foam Seal (x1)
6. "L" shaped mounting bracket (x1) (Factory installed on some models.)
7. Curtain Bracket (x2)
8. Weather Stripping (x5)
9. Foam Insert (x2)
10. Side Curtains (x2)



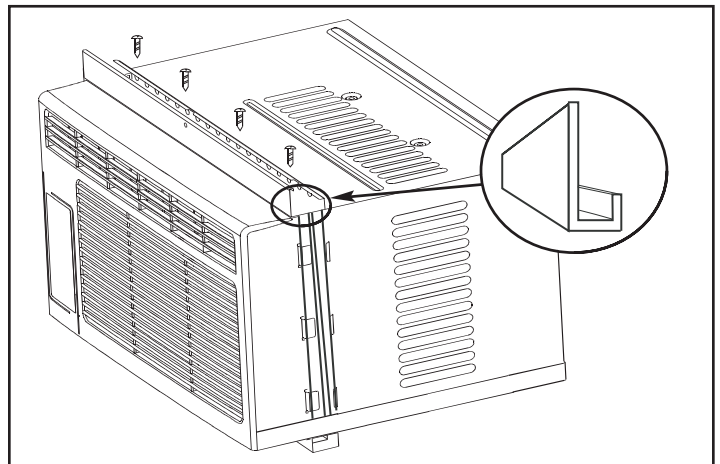
ASSEMBLY

Note: Images in this manual are for instructional purposes only. The actual shape of the appliance may vary slightly.

Install the "L" Shaped Bracket

Attach the "L" shaped bracket to the top of the cabinet as shown below using the provided 9.5 mm (3/8 inch) screws (x4).

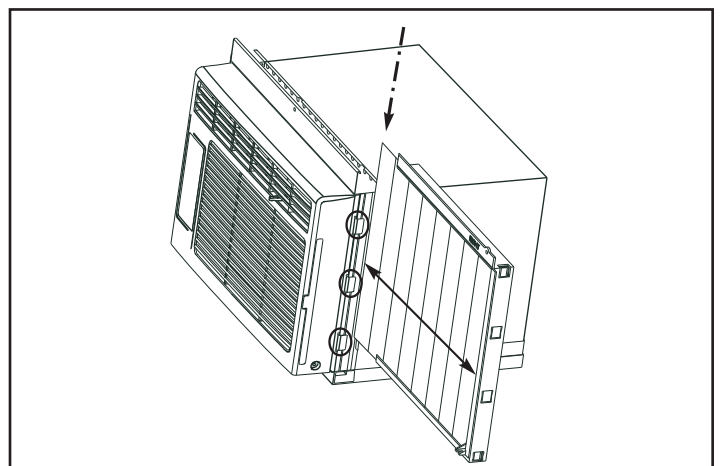
Note: The "L" shaped bracket may come factory installed on some models.



Install the Side Curtains

Attach the side curtains to the cabinet by sliding the curtain frame into the side channel of the cabinet as shown below.

The curtains are labeled "left" and "right" on the frames. This refers to the left and right sides of the appliance when facing the front of the appliance.



INSTALLATION INSTRUCTIONS

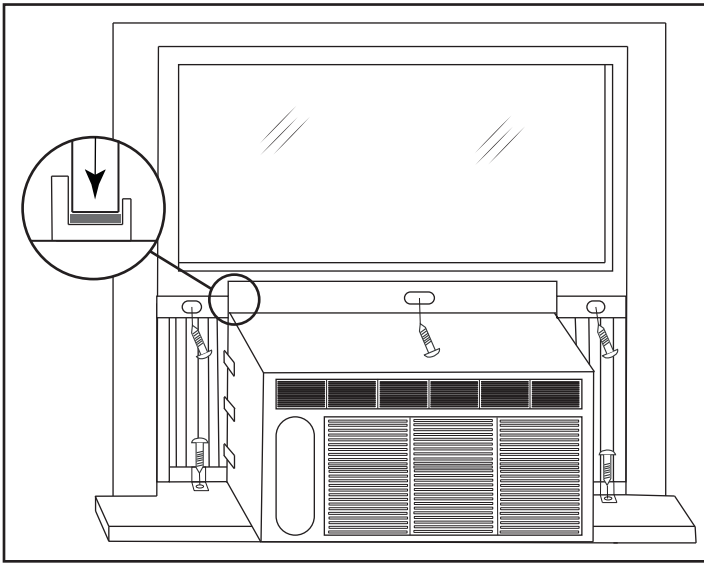
INSTALLATION

Cut the regular foam seal to fit the area of the window sill that the air conditioner will rest on.

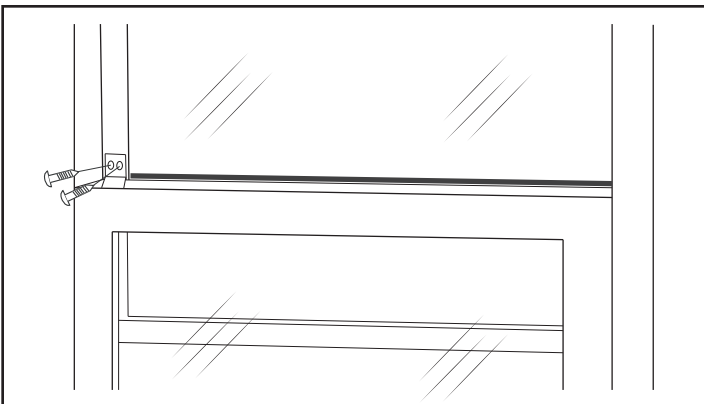
Place the air conditioner into the window with the "L" shaped mounting bracket positioned in front of the upper sash. The bottom of the cabinet should be positioned on the recessed portion of the window frame. Pull the upper window sash down until it rests just behind the front flange of the "L" shaped mounting bracket.

Expand the side curtains on each side and secure the top of the frames to the window sash using one 13 mm (1/2 inch) screw on each side of the "L" shaped mounting bracket.

Attach the clamps on the lower part of each curtain to the window sill using one 13 mm (1/2 inch) screw on each side of the cabinet.



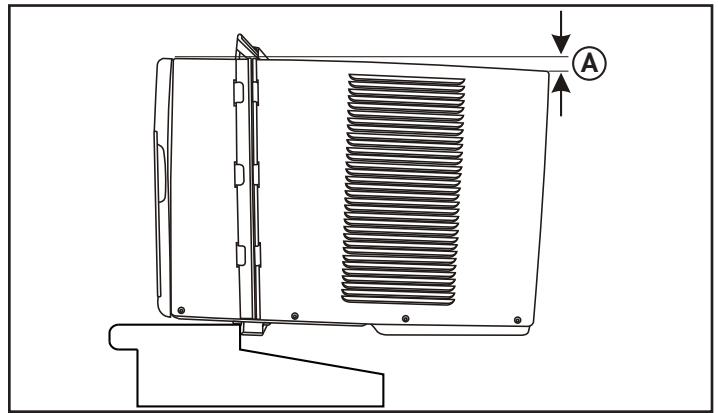
Place the adhesive foam seal into the opening between the inside and outside windows and attached the safety lock to the outside window frame using two 13 mm (1/2 inch) screws.



Check the Tilt Angle

The air conditioner should be tilted downward towards the outside approximately 3° to 4° . This tilt will encourage any condensed water to drain to the outside. If any condensed water leaks to the inside of the house, check the tilt angle and adjust as necessary.

Measure the tilt angle from the front of the cabinet's edge. The difference in height between the front and the back of the appliance, labeled "A" on the image below, should be approximately 19 mm - 2.5 cm (3/4 inch - 1 inch).

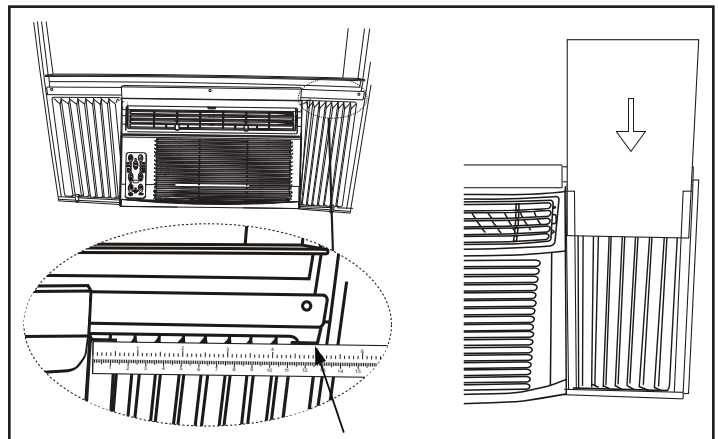


Install the Foam Inserts

The foam inserts can block any cracks or spaces in the side curtains and help maintain the energy efficiency of the appliance.

After the appliance is installed in the window, measure the width of the side curtains from the side of the appliance to the edge of the curtain.

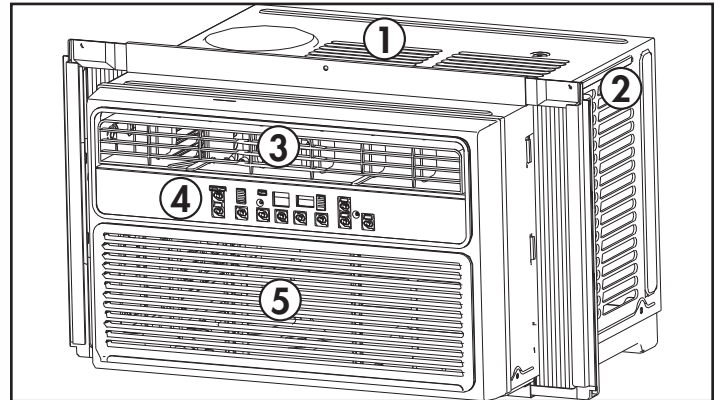
If necessary, cut the foam insert to the correct size and then slide the foam insert into the slots in the side curtain. The supplied weather stripping can be used to block any other cracks or spaces as required.



OPERATING INSTRUCTIONS

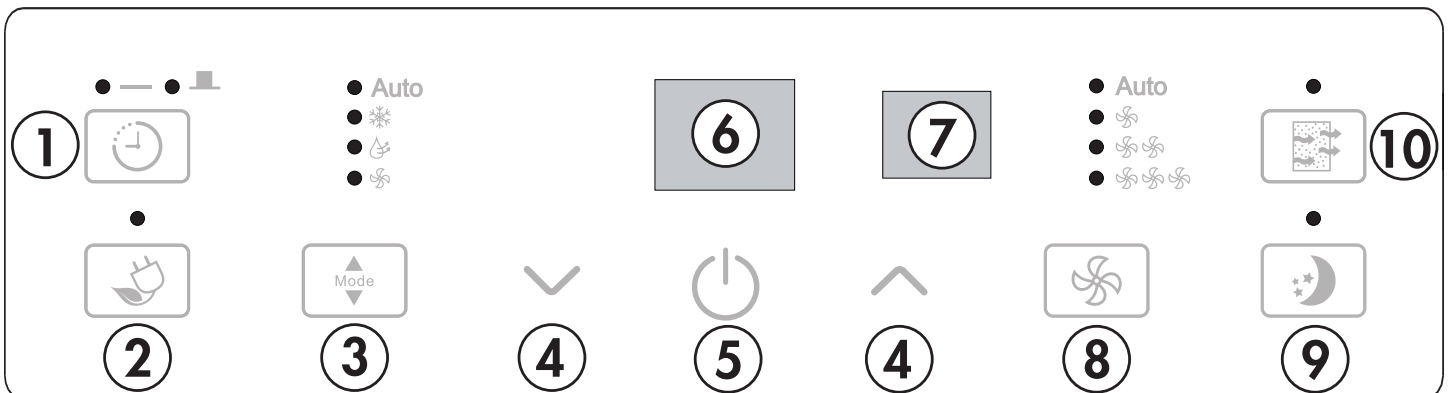
FEATURES

1. Cabinet
2. Exterior Air Inlet
3. Interior Air Outlet
4. Control Panel
5. Interior Air Inlet
6. Air Filter (not pictured)



CONTROL PANEL

- 1. Timer Button:** Used to set the auto on and auto off timer.
- 2. Energy Saver Button:** Used to set the energy saver function.
- 3. Mode Button:** Used to choose the operating mode.
- 4. Up and Down Arrows:** Used to adjust the set temperature in 1° increments and the timer function in 30 minute increments up to 10 hours and then in 1 hour increments up to 24 hours.
- 5. Power Button:** Used to turn the appliance on or off.
- 6. Display Panel:** Displays the set temperature, the ambient temperature and the timer settings. To change the temperature scale being displayed, press the up and down buttons at the same time.
- 7. Remote Control Receiver:** Ensure this receiver is not obscured by curtains or other items as it could impact remote control functioning.
- 8. Fan Button:** Used to set the fan speed. The fan can be set to Low, Medium, High and Auto.
- 9. Sleep Button:** Used to set the Sleep function.
- 10. Filter Button:** The indicator light will illuminate as a reminder to check the filter. Once the filter has been cleaned, use this button to resume operation.



OPERATING INSTRUCTIONS

REMOTE CONTROL

- 1. Mode Button:** Used to choose the operating mode.
 - 2. Energy Saver Button:** Used to set the energy saver function.
 - 3. Up and Down Arrows:** Used to adjust the set temperature in 1° increments and the timer function in 30 minute increments up to 10 hours and then in 1 hour increments up to 24 hours.
 - 4. Default Button:** Press to restore the remote control default settings.
 - 5. Lock Button:** Press this button to lock the remote control and prevent the settings from being inadvertently changed.
 - 6. Sleep Button:** Used to set the Sleep function.
 - 7. LED Button:** Press to turn the LED back light on or off.
 - 8. Clock Button:** Press and hold the button for 3 seconds in order to set the clock. Press the Up and Down Arrows to adjust the time in 10 minute intervals
- Note:** The clock feature is only available on the remote, the appliance does not have a clock. The remote clock is a 24 hour clock only.
- 9. Cancel Button:** Cancels current Timer settings.
 - 10. Timer Button:** Used to set the auto on and auto off timer.
 - 11. Fan Button:** Used to set the fan speed. The fan can be set to Low, Medium, High and Auto.



REMOTE CONTROL BATTERIES

The remote control requires two AAA alkaline batteries (included). Batteries should be replaced when:

- No sound is heard when attempting to program the appliance.
- The appliance does not respond to a command issued by the remote control.

Battery replacement:

- Slide the rear cover on the remote in the direction of the arrow.
- Insert two AAA batteries following the same orientation depicted inside the battery chamber (+/-).
- Reinstall the rear cover.
- If the remote control will not be used for extended periods of time, the batteries should be removed.

Notes:

- Protect the remote control from high temperatures, and keep it away from radiation exposure.
- Keep the control panel receiver out of direct sunlight.
- Do not mix old and new batteries.
- Do not mix alkaline, standard (carbon-zinc), or rechargeable (ni-cad, ni-mh, etc) batteries.
- The remote operates within a range of 8 meters (26 ft.) from the receiver located inside the main appliance. Any obstruction between the receiver and remote may cause signal interference, limiting the ability to program the main unit.

OPERATING INSTRUCTIONS

FUNCTION INSTRUCTION

Operating Modes

There are four operating modes to choose from. Press the Mode Button repeatedly to choose the desired mode. The adjacent indicator light will illuminate to show which mode has been selected.

- **Cool Mode**

Choose Cool Mode to set the cooling function. Use the Up and Down Arrows to choose the desired temperature. When Cool Mode is selected, the fan speed can be adjusted by pressing the fan button.

- **Dry Mode**

Choose Dry Mode to remove excess moisture from the air during periods of high humidity. All water pulled from the air will condense inside the appliance and drain out the back. The fan speed will be automatically set and cannot be modified in Dry Mode.

- **Fan Mode**

Choose Fan Mode to run the internal fan without engaging the cooling function. Press the fan button repeatedly to choose the fan speed, Low, Med, High or Auto.

- **Auto Mode**

Auto Mode is a pre-set factory program that automatically defines the mode (Cool or Dry) and fan speed based on the set temperature, the ambient temperature and the ambient humidity.

Energy Saver Function

The Energy Saver Function will automatically cycle the fan on and off when the compressor is not in use to minimize how often the compressor needs to turn on. This function is available in Cool, Dry, Auto Cool and Auto Fan modes.

The fan will continue to run for 3 minutes after the compressor turns off. The fan will then cycle on for 2 minutes in 10 minute intervals until the ambient temperature is above the set temperature, at which point the compressor will turn on and cooling will resume.

Sleep Function

The Sleep Function can be used to conserve energy during sleeping hours.

When selected, the set temperature will increase by 1°C/2°F every half hour for one full hour. The appliance will hold the new set temperature for 6 hours before automatically returning to normal operation.

The Sleep Function can be canceled at any time by pressing the Sleep Button.

OPERATING INSTRUCTIONS

Timer Function

The Timer Function can be used to turn the appliance on or off after a set period of time.

Auto On Function

1. Press the Timer Button once and the Auto On indicator light will illuminate.
2. Use the Up and Down Arrows to select the desired amount of time before the appliance should turn on. The Up and Down Arrows will add or subtract time in 30 minute increments up to 10 hours and then in 1 hour increments up to 24 hours.
3. Use the Mode Button to select the desired mode.
4. Use the Fan Button to select the desired fan speed.
5. The time selected will appear on the display panel and will count down until the appliance turns on.

Auto Off Function

1. Press the Timer Button twice and the Auto Off indicator light will illuminate.
2. Use the Up and Down Arrows to select the desired amount of time before the appliance should turn off. The Up and Down Arrows will add or subtract time in 30 minute increments up to 10 hours and then in 1 hour increments up to 24 hours.
3. The time selected will appear on the display panel and will count down until the appliance turns off.

Using Auto On and Auto Off Simultaneously

The Auto On and Auto Off functions can be used at the same time by setting first one and then the other.

Both indicator lights will illuminate and the display will count down to the appliance either turning off or on, whichever function was set first.

Note: The timer will not cycle the appliance on and off indefinitely. The Auto On and Auto Off timers will function one time and then the appliance will return to regular functioning.

Turning the appliance off, pressing the default button on the remote or unplugging the appliance will clear all memory settings, including the timer.

CARE & MAINTENANCE

AIR FILTER

The air filter should be cleaned approximately every 2 weeks. The air filter may require more frequent cleaning if there is significant dander or fur in the air.

Approximately every two weeks, the filter indicator light on the control panel will illuminate as a reminder to clean the filter. Follow the steps below to clean the filter and return the appliance to normal functioning.

1. The air filter is located behind the front intake grill. To remove the air filter, grasp the filter tab on the right side of the grill and slide it out to the right. If the front intake grill has two indents, pull the grill forward to remove the air filter.
2. Use a vacuum cleaner with a soft brush attachment to remove any large debris or dust build up from the air filter.
3. Wash the filter in lukewarm, soapy water, below 40°C (104°F), or use a neutral cleaning agent.
4. Rinse the filter with clean water and dry thoroughly before reinstalling in the appliance.
5. Press the filter button on the control panel to resume normal functioning.

Note: Do not operate the appliance without the air filter installed.

ERROR CODES

If the display panel shows any of the below error codes, unplug the appliance, let it stand for 5-10 minutes and then plug it back in. If the error persists, call for service.

AS - Room temperature sensor error

HS - Electric heating sensor error

. - Evaporator temperature sensor error

CLEANING

To avoid possible electric shock, ensure that the appliance is unplugged before performing any cleaning or maintenance.

The outside of the appliance can be wiped clean with a soft cloth or with a lukewarm, damp cloth if necessary.

Do not use gasoline, benzene, thinner or any other chemicals to clean this appliance as these substances can cause damage to the finish and deformation of plastic parts.

Never pour water directly onto the appliance as this will cause deterioration of electrical components and wiring insulation.

END OF SEASON CARE

Before removing the appliance from service for the year, operate the appliance on high fan mode for half a day to ensure the inside of the appliance is dry. This will help avoid the growth of mold or mildew inside the appliance. Ensure the filter is clean and dry. Store the appliance covered in a dry location.

Note: When installing or removing the appliance from the window, ensure that caution is taken to prevent it from falling backward. It is recommended that installation or removal is completed with assistance to prevent injury to persons or damage to property or the appliance.

DISPOSAL

Check for local regulatory compliance regarding approved and safe disposal of this appliance.

TROUBLESHOOTING

Danby Consumer Care: 1-800-263-2629

Hours of operation:

Monday to Thursday 8:30 am - 6:00 pm Eastern Standard Time

Friday 8:30 am - 4:00 pm Eastern Standard Time

Information in this manual is subject to change without notice.

PROBLEM	POSSIBLE CAUSE
Appliance will not operate	<ul style="list-style-type: none">• Plug is not fully inserted into the wall outlet• Blown fuse or circuit breaker
Insufficient cooling	<ul style="list-style-type: none">• Air filter is dirty• Blocked air flow• Appliance size is too small for application
Noise	<ul style="list-style-type: none">• Inadequate support in window installation
Odors	<ul style="list-style-type: none">• Formation of mold or mildew on internal wet surfaces• Place an algacide tablet in base pan; push the tablet through the grill on either side of the appliance
Water dripping inside	<ul style="list-style-type: none">• Appliance is not properly angled to allow water to drain to the outside
Water dripping outside	<ul style="list-style-type: none">• On very hot or humid days dripping water from the back of the appliance is normal
Frost build up	<ul style="list-style-type: none">• When outdoor temperatures are below 18.3°C (65°F) frost may form when the appliance is in cooling mode• Switch the appliance to fan only mode until the frost melts

LIMITED "IN HOME" WARRANTY

This quality product is warranted to be free from manufacturer's defects in material and workmanship, provided that the unit is used under the normal operating conditions intended by the manufacturer.

This warranty is available only to the person to whom the unit was originally sold by Danby Products Limited (Canada) or Danby Products Inc. (U.S.A.) (hereafter "Danby") or by an authorized distributor of Danby, and is non-transferable.

TERMS OF WARRANTY

Plastic parts are warranted for thirty (30) days from the date of purchase, with no extensions provided.

First 12 months During the first **twelve (12) months**, any functional parts of this product found to be defective, will be repaired or replaced, at warrantor's option, at no charge to the original purchaser.

To obtain service Contact the dealer where the unit was purchased, or contact the nearest authorized Danby service depot, where service must be performed by a qualified service technician. If service is performed on the unit by anyone other than an authorized service depot, all obligations of Danby under this warranty shall be void.

Boundaries of in-home service Danby reserves the right to limit the boundaries of "In Home Service" to the proximity of an authorized service depot. Any appliance requiring service outside the limited boundaries of "In Home Service", will be the consumer's responsibility to transport at their own expense to the original point of purchase or a service depot for repair. If the appliance is installed in a location that is **100 kilometers (62 miles)** or more from the nearest service center, it must be delivered to the nearest authorized Danby Service Depot by the purchaser.

Transportation charges to and from the service location are not protected by this warranty and are the responsibility of the purchaser.

Nothing within this warranty shall imply that Danby will be responsible or liable for any spoilage or damage to food or other contents of this appliance, whether due to any defect of the appliance, or its use, whether proper or improper.

EXCLUSIONS

Save as herein provided, by Danby, there are no other warranties, conditions, representations or guarantees, express or implied, made or intended by Danby or its authorized distributors and all other warranties, conditions, representations or guarantees, including any warranties, conditions, representations or guarantees under any Sale of Goods Act or like legislation or statute is hereby expressly excluded. Save as herein provided, **Danby shall not be responsible for any damages to persons or property, including the unit itself, howsoever caused or any consequential damages arising from the malfunction of the unit and by the purchase of the unit, the purchaser does hereby agree to indemnify and hold harmless Danby from any claim for damages to persons or property caused by the unit.**

GENERAL PROVISIONS

No warranty or insurance herein contained or set out shall apply when damage or repair is caused by any of the following:

- 1) Power failure.
- 2) Damage in transit or when moving the appliance.
- 3) Improper power supply such as low voltage, defective house wiring or inadequate fuses.
- 4) Accident, alteration, abuse or misuse of the appliance such as inadequate air circulation in the room or abnormal operating conditions (ie. extremely high or low room temperature).
- 5) Use for commercial or industrial purposes (ie. If the appliance is not installed in a domestic residence).
- 6) Fire, water damage, theft, war, riot, hostility, acts of God such as hurricanes, floods etc.
- 7) Service calls resulting in customer education.
- 8) Improper Installation (ie. Building-in of a free standing appliance or using an appliance outdoors that is not approved for outdoor application, including but not limited to: garages, patios, porches or anywhere that is not properly insulated or climate controlled).

Proof of purchase date will be required for warranty claims; retain bills of sale. In the event that warranty service is required, present the proof of purchase to our authorized service depot.

**Warranty Service
In Home**

Danby Products Limited
PO Box 1778, Guelph, Ontario, Canada N1H 6Z9
Telephone: (519) 837-0920 FAX: (519) 837-0449

**1-800-263-2629
04/17**

Danby Products Inc.
PO Box 669, Findlay, Ohio, U.S.A. 45840
Telephone: (419) 425-8627 FAX: (419) 425-8629

Bienvenue

Bienvenue à la famille Danby. Nous sommes fiers de la qualité de nos produits et nous croyons en le service fiable. Nous vous suggérons de lire ce manuel d'utilisation avant de brancher votre nouvel appareil car il contient des informations importantes sur l'utilisation, la sécurité, le dépannage et la maintenance, afin d'assurer la fiabilité et la longévité de votre appareil.

Visitez www.Danby.com pour accéder aux outils d'autoservice, aux FAQ et bien plus encore. Pour obtenir de l'aide supplémentaire, composez **1-800-263-2629**.

Notez les informations ci-dessous; Vous aurez besoin de cette information pour obtenir un service sous garantie.

Vous devez fournir le reçu d'achat original pour valider votre garantie et recevoir le service.

Numéro de modèle: _____

Numéro de serie: _____

Date d'achat: _____

Besoin d'assistance?

Avant d'appeler pour service, voici quelques choses que vous pouvez faire pour nous aider à mieux vous servir.

Lire ce manuel du propriétaire:

Il contient des instructions pour vous aider à utiliser et à maintenir votre appareil correctement.

Si vous recevez un appareil endommagé:

Contactez immédiatement le revendeur ou l'entrepreneur qui vous a vendu l'appareil.

Gagnez du temps et de l'argent:

Avant d'appeler pour service, consultez la section de dépannage à la fin de ce manuel. Cette section vous aidera à résoudre les problèmes courants pouvant survenir.



1-800-26- Danby
(1-800-263-2629)



Informations importantes de sécurité

LIRE ET SUIVRE TOUTES LES INSTRUCTIONS DE SÉCURITÉ

EXIGENCES ÉLECTRIQUES

Tout le câblage doit être conforme aux codes locaux et nationaux et doit être installé par un électricien qualifié. Vérifiez l'alimentation électrique disponible et résolvez tous les problèmes de câblage avant d'installer et d'utiliser cet appareil.

La plaque signalétique située sur le côté droit de l'appareil juste au-dessus du cordon d'alimentation contient des données électriques et autres techniques.

Cet appareil n'est pas conçu pour l'installation "à travers le mur".

INSTRUCTIONS DE MISE À LA TERRE

Cet appareil doit être mis à la terre. La mise à la terre réduit le risque de choc électrique en fournissant un fil d'échappement pour le courant électrique.

Cet appareil possède un cordon doté d'un fil de mise à la terre avec une fiche à 3 broches. Le cordon d'alimentation doit être branché sur une prise correctement mise à la terre. Si la sortie est une prise murale à 2 broches, elle doit être remplacée par une prise murale à 3 broches correctement mise à la terre.

ATTENTION - Une utilisation incorrecte de la fiche de mise à la terre peut entraîner un risque d'électrocution. Consultez un électricien qualifié ou un agent de service si les instructions de mise à la terre ne sont pas complètement comprises ou s'il existe un doute quant à savoir si l'appareil est correctement mis à la terre.

Ne branchez pas votre appareil à des rallonges ou avec un autre appareil dans la même prise murale. Ne pas épisser le cordon d'alimentation. Ne coupez ou retirez en aucun cas la troisième broche du cordon d'alimentation. N'utilisez pas de cordons de prolongement ou d'adaptateurs sans mise à la terre (deux broches).

Si le cordon d'alimentation est endommagé, il doit être remplacé par le fabricant, son agent de service ou une personne qualifiée similaire afin d'éviter tout risque.

EMPLACEMENT

Ce climatiseur est conçu pour une installation facile dans des fenêtres simples ou doubles. Étant donné que les modèles de fenêtres varient, il peut être nécessaire d'apporter quelques modifications pour une installation sécurisée.

Ce climatiseur n'est pas conçu pour les fenêtres verticales, de type glissière ou "à travers la paroi".

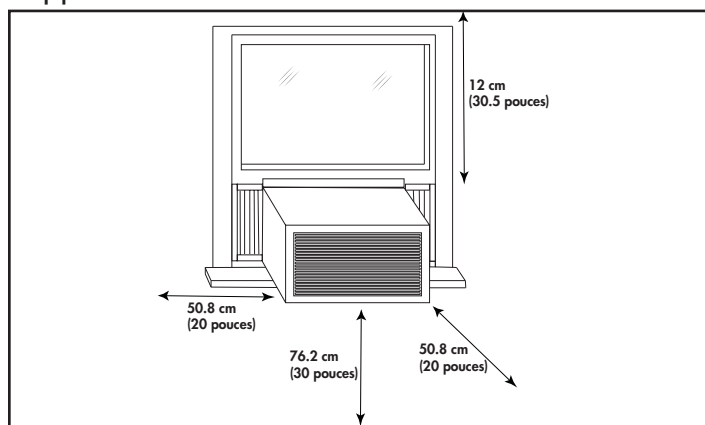
Assurez-vous que la fenêtre et le cadre sont structurellement sains et exempts de bois sec ou décomposé.

Installez le climatiseur dans une fenêtre sur un côté du bâtiment qui favorise plus d'ombre que la lumière du soleil. Si l'appareil doit être exposé aux rayons du soleil, il est conseillé de proposer un store à l'ombre sur l'appareil pour assurer un fonctionnement efficace.

Ne pas installer l'appareil en cas de suspicion de fuite de gaz combustible.

Cet appareil est conçu pour évaporer la condensation dans des conditions normales. Dans des conditions extrêmement chaudes ou humides, l'excès de condensation peut déborder vers l'extérieur. L'appareil doit être installé lorsque la condensation ne peut pas tomber sur les piétons ou les propriétés voisines.

Offrez un dégagement suffisant autour de l'appareil pour permettre une circulation d'air suffisante. L'arrière de l'appareil doit être à l'extérieur, il ne doit pas être dans un garage ou dans une autre pièce. Gardez l'appareil hors des obstacles et à au moins 76 cm (30 pouces) au-dessus du sol. Assurez-vous que les rideaux et autres obstructions ne bloquent pas l'écoulement de l'air vers l'appareil.



GARDEZ CES INSTRUCTIONS!

INSTRUCTIONS D'INSTALLATION

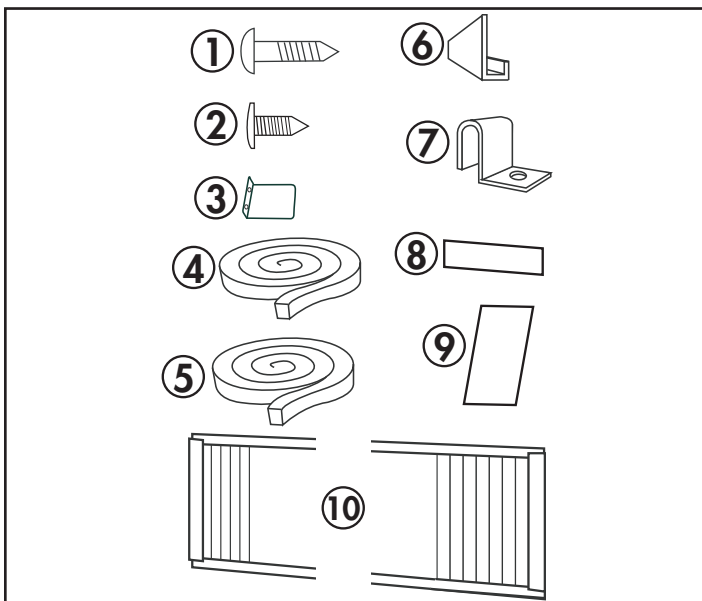
OUTILS REQUIS

- Tournevis: Phillips et tête plate.
- Perceuse électrique: 3,2 mm (1/8 po.) de diamètre
- Crayon
- Mètre ruban
- Les ciseaux
- Niveau du charpentier

ACCESSOIRES

Les accessoires suivants sont inclus avec l'appareil et doivent être utilisés pendant l'installation.

1. Vis de 13 mm (1/2 pouce) (x7)
2. Vis de 9,5 mm (3/8 pouces) (x4) (installé à l'usine sur certains modèles).
3. Serrure de sécurité (x1)
4. Joint adhésif en mousse (x1)
5. Joint de mousse régulier (x1)
6. Support de montage en forme de "L" (x1) (installé en usine sur certains modèles).
7. Support de rideau (x2)
8. Découpe météorologique (x5)
9. Insertion de mousse (x2)
10. Rideaux latéraux (x2)



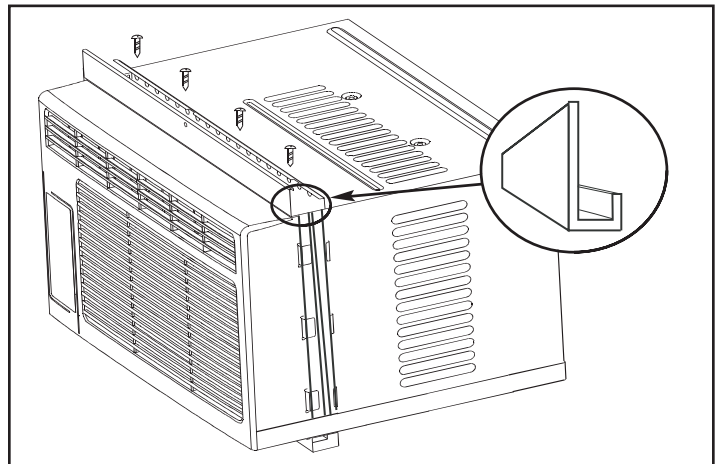
ASSEMBLÉE

Remarque: Les images contenues dans ce manuel sont uniquement à des fins pédagogiques. La forme réelle de l'appareil peut varier légèrement.

Installez le support en forme "L"

Fixez le support en forme "L" au haut de l'armoire comme indiqué ci-dessous en utilisant les vis fournies de 9,5 mm (3/8 pouces) (x4).

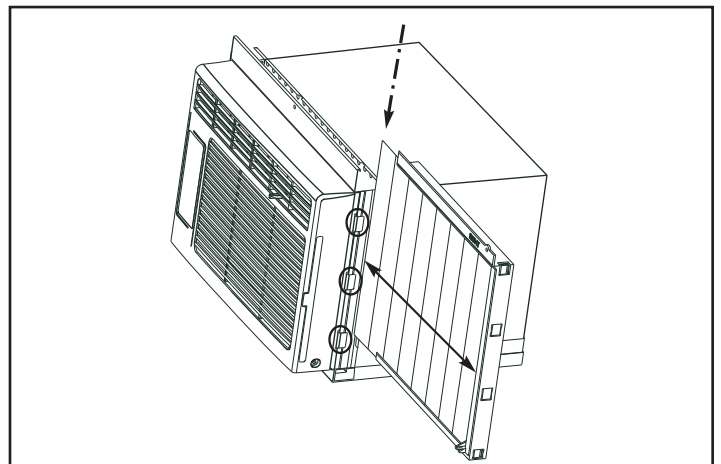
Remarque: Le support en forme "L" peut être installé en usine sur certains modèles.



Installez les rideaux latéraux

Fixez les rideaux latéraux à l'armoire en faisant glisser le cadre du rideau dans le canal latéral de l'armoire comme indiqué ci-dessous.

Les rideaux sont étiquetés "gauche" et "droite" sur les cadres. Il s'agit des côtés gauche et droit de l'appareil face à l'avant de l'appareil.



INSTRUCTIONS D'INSTALLATION

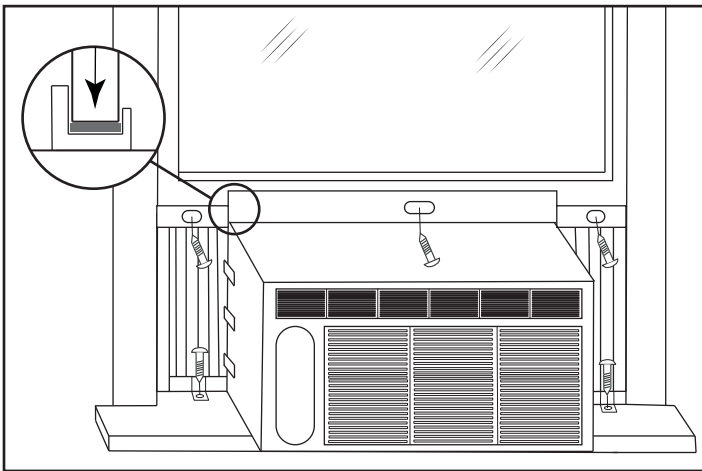
INSTALLATION

Couper le joint de mousse régulier pour s'adapter à la zone du seuil de la fenêtre sur laquelle le climatiseur repose.

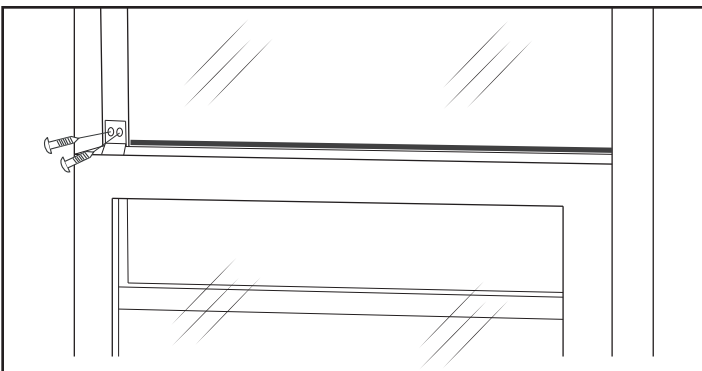
Placez le climatiseur dans la fenêtre avec le support de montage en forme de "L" positionné en face de la ceinture supérieure. Le fond de l'armoire doit être positionné sur la partie en retrait du cadre de la fenêtre. Tirez le volet de la fenêtre supérieure jusqu'à ce qu'il repose juste derrière la bride avant du support de montage en forme de "L".

Élargissez les rideaux latéraux de chaque côté et fixez le sommet des cadres sur le châssis de la fenêtre en utilisant une vis de 13 mm (1/2 pouce) de chaque côté du support de montage en forme de "L".

Fixez les pinces sur la partie inférieure de chaque rideau sur le seuil de la fenêtre en utilisant une vis de 13 mm (1/2 pouce) de chaque côté de l'armoire.



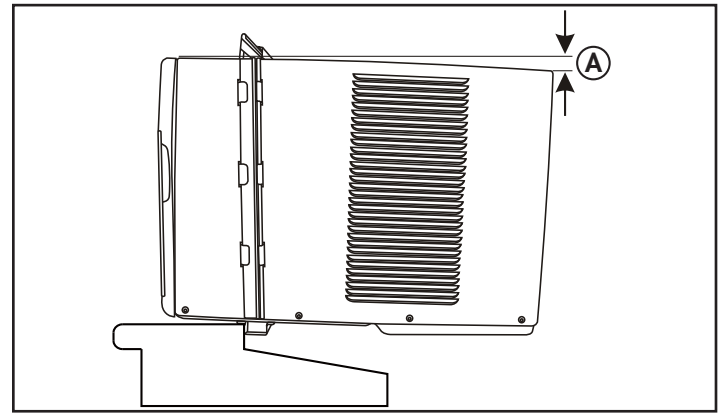
Placez le joint en mousse adhésif dans l'ouverture entre les fenêtres intérieure et extérieure et fixez le verrou de sécurité sur le cadre de la fenêtre extérieure à l'aide de deux vis de 13 mm (1/2 pouce).



Vérifiez l'angle d'inclinaison

Le climatiseur doit être incliné vers le bas vers l'extérieur environ 3° à 4°. Cette inclinaison encouragera toute eau condensée à s'écouler vers l'extérieur. Si de l'eau condensée fuit à l'intérieur de la maison, vérifiez l'angle d'inclinaison et ajustez si nécessaire.

Mesurez l'angle d'inclinaison de l'avant du bord de l'armoire. La différence de hauteur entre l'avant et l'arrière de l'appareil, étiqueté "A" sur l'image ci-dessous, devrait être d'environ 19 mm - 2,5 cm (3/4 pouce - 1 pouce).

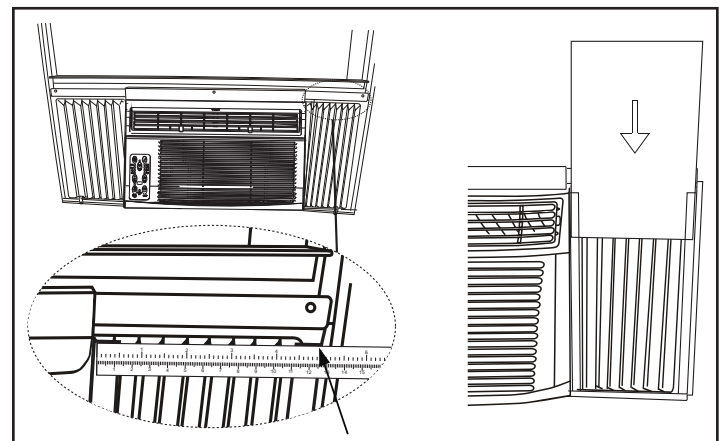


Installer les insertions en mousse

Les inserts en mousse peuvent bloquer les fissures ou les espaces dans les rideaux latéraux et aider à maintenir l'efficacité énergétique de l'appareil.

Une fois l'appareil installé dans la fenêtre, mesurez la largeur des rideaux latéraux du côté de l'appareil au bord du rideau.

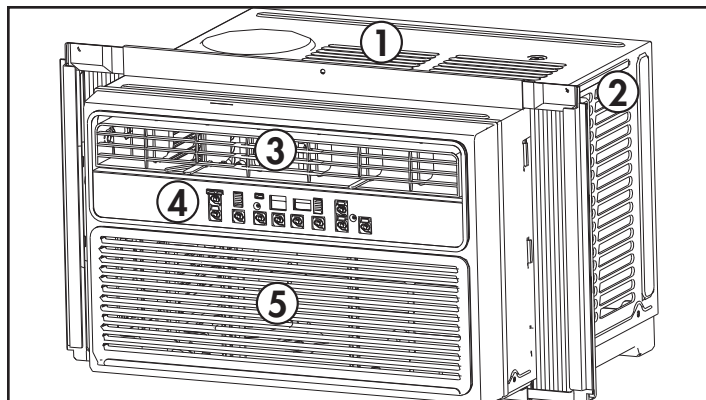
Si nécessaire, couper l'insert en mousse à la bonne taille, puis faire glisser l'insert en mousse dans les fentes du rideau latéral. Le décollage météorologique fourni peut être utilisé pour bloquer toute autre fissure ou espace si nécessaire.



INSTRUCTIONS D'UTILISATION

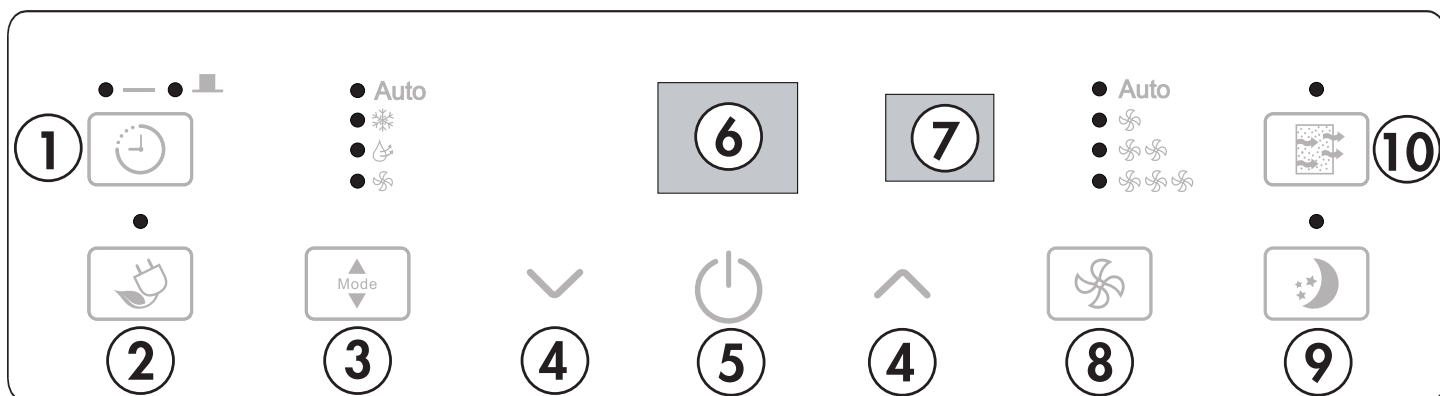
CARACTÉRISTIQUES

1. Cabinet
2. Entrée d'air extérieure
3. Prise d'air intérieur
4. Entrée d'air intérieure
5. Panneau de contrôle
6. Filtre à air (non représenté)



PANNEAU DE CONTRÔLE

- 1. Bouton de minuterie:** Utilisé pour régler la minuterie de marche et arrêt automatique.
- 2. Bouton d'économie d'énergie:** Utilisé pour définir la fonction économiseur d'énergie.
- 3. Bouton mode:** Utilisé pour choisir le mode de fonctionnement.
- 4. Flèches haut et bas:** Utilisé pour ajuster la température réglée par incréments de 1° et la fonction de minuterie en des incréments de 30 minutes jusqu'à 10 heures, puis en incréments de 1 heure jusqu'à 24 heures.
- 5. Bouton d'alimentation:** Utilisé pour allumer ou éteindre l'appareil.
- 6. Panneau d'affichage:** Affiche la température réglée, la température ambiante et les réglages de la minuterie. Pour changer l'échelle de température affichée, appuyez simultanément sur les boutons haut et bas.
- 7. Récepteur de télécommande:** Assurez-vous que ce récepteur n'est pas obscurci par des rideaux ou d'autres éléments, car cela pourrait avoir un impact sur le fonctionnement de la télécommande.
- 8. Bouton ventilateur:** Utilisé pour régler la vitesse du ventilateur. Le ventilateur peut être réglé sur Bas, Moyen, Haut et Auto.
- 9. Bouton de sommeil:** Utilisé pour régler la fonction sommeil.
- 10. Bouton filtre:** Le témoin lumineux s'allume comme un rappel pour vérifier le filtre. Une fois que le filtre a été nettoyé, utilisez ce bouton pour reprendre son fonctionnement.



INSTRUCTIONS D'UTILISATION

TÉLÉCOMMANDE

1. **Bouton mode:** Utilisé pour choisir le mode de fonctionnement.
 2. **Bouton d'économie d'énergie:** Utilisé pour définir la fonction économiseur d'énergie.
 3. **Flèches haut et bas:** Utilisé pour ajuster la température réglée par incréments de 1° et la fonction de minuterie en des incréments de 30 minutes jusqu'à 10 heures, puis en incréments de 1 heure jusqu'à 24 heures.
 4. **Bouton par défaut:** Appuyez sur pour restaurer les paramètres par défaut de la télécommande.
 5. **Bouton de verrouillage:** Appuyez sur cette touche pour verrouiller la télécommande et éviter que les paramètres ne soient modifiés par inadvertance.
 6. **Bouton de sommeil:** Utilisé pour régler la fonction sommeil.
 7. **Bouton LED:** Appuyez sur pour allumer ou éteindre le rétro-éclairage de la LED.
 8. **Bouton d'horloge:** Maintenez la touche enfoncée pendant 3 secondes pour régler l'horloge. Appuyez sur les flèches Haut et Bas pour régler le temps en intervalles de 10 minutes.
- Remarque:** La fonction d'horloge n'est disponible que sur la télécommande, l'appareil n'a pas d'horloge. L'horloge à distance est une horloge 24 heures seulement.
9. **Bouton annuler:** Annule les paramètres actuels de la minuterie.
 10. **Bouton de minuterie:** Utilisé pour régler la temporisation automatique et la temporisation automatique.
 11. **Bouton ventilateur:** Utilisé pour régler la vitesse du ventilateur. Le ventilateur peut être réglé sur Bas, Moyen, Haut et Auto.



PILES DE LA TÉLÉCOMMANDE

La télécommande nécessite deux piles alcalines AAA (incluses). Les piles doivent être remplacées lorsque:

- a) Aucun son n'est entendu lors de la tentative de programmation de l'appareil.
- b) L'appareil ne répond pas à une commande émise par la télécommande.

Remplacement de la batterie:

1. Faites glisser le capot arrière sur la télécommande dans le sens de la flèche.
2. Insérez deux piles AAA suivant la même orientation représentée à l'intérieur de la chambre de la batterie (+/-).
3. Réinstallez le capot arrière.
4. Si la télécommande n'est pas utilisée pendant de longues périodes, les piles doivent être retirées.

Remarques:

- Protégez la télécommande contre les températures élevées et évitez l'exposition au rayonnement.
- Gardez le récepteur du panneau de contrôle hors de la lumière directe du soleil.
- Ne mélangez pas les piles neuves et usées.
- Ne pas mélanger des piles alcalines, standard (carbone-zinc) ou rechargeables (ni-cad, ni-mh, etc.).
- La télécommande fonctionne à une distance de 8 mètres (26 pi) du récepteur situé à l'intérieur de l'appareil principal. Toute obstruction entre le récepteur et la télécommande peut provoquer des interférences de signal, ce qui limite la capacité de programmer l'unité principale.

INSTRUCTIONS D'UTILISATION

INSTRUCTIONS DE FONCTION

Modes de fonctionnement

Il existe quatre modes de fonctionnement à choisir. Appuyez plusieurs fois sur le bouton mode pour choisir le mode désiré. Le témoin lumineux adjacent s'allume pour indiquer quel mode a été sélectionné.

- **Mode de refroidissement**

Choisissez mode de refroidissement pour régler la fonction de refroidissement. Utilisez les flèches Haut et Bas pour choisir la température souhaitée. Lorsque mode de refroidissement est sélectionné, la vitesse du ventilateur peut être réglée en appuyant sur le bouton du ventilateur.

- **Mode sec**

Choisissez le mode sec pour éliminer l'excès d'humidité de l'air pendant les périodes d'humidité élevée. Toute l'eau tirée de l'air se condensera à l'intérieur de l'appareil et évacue le dos. La vitesse du ventilateur sera automatiquement réglée et ne peut pas être modifiée en mode sec.

- **Mode ventilateur**

Choisissez mode ventilateur pour faire fonctionner le ventilateur interne sans engager la fonction de refroidissement. Appuyez plusieurs fois sur le bouton du ventilateur pour choisir la vitesse du ventilateur, Faible, Moyen, Haut ou Auto.

- **Mode auto**

Le mode auto est un programme d'usine prédéfini qui définit automatiquement le mode (refroidissement ou sec) et la vitesse du ventilateur en fonction de la température réglée, de la température ambiante et de l'humidité ambiante.

Fonction économiseur d'énergie

La fonction économiseur d'énergie allumera automatiquement le ventilateur lorsque le compresseur n'est pas utilisé afin de minimiser la fréquence à laquelle le compresseur doit s'allumer. Cette fonction est disponible en mode refroidissement, sec, refroidissement automatique et ventilateur automatique.

Le ventilateur continuera à fonctionner pendant 3 minutes après le désactivation du compresseur. Le ventilateur roulera pendant 2 minutes dans des intervalles de 10 minutes jusqu'à ce que la température ambiante soit supérieure à la température réglée, auquel point le compresseur s'allume et le refroidissement reprend.

Fonction sommeil

La fonction sommeil peut être utilisée pour conserver l'énergie pendant les heures de sommeil.

Lorsqu'il est sélectionné, la température réglée augmentera de 1°C/2°F toutes les demi-heures pendant une heure entière. L'appareil maintient la nouvelle température réglée pendant 6 heures avant de revenir au fonctionnement normal.

La fonction de sommeil peut être annulée à tout moment en appuyant sur le bouton de sommeil.

INSTRUCTIONS D'UTILISATION

Fonction de minuterie

La fonction de minuterie peut être utilisée pour allumer ou éteindre l'appareil après une période de temps définie.

Fonction d'activation automatique



1. Appuyez une fois sur le bouton de la minuterie et le voyant d'activation automatique s'allume.
2. Utilisez les flèches haut et bas pour sélectionner la quantité de temps souhaitée avant que l'appareil ne s'allume. Les flèches vers le haut et vers le bas ajouteront ou soustrairont le temps en incréments de 30 minutes jusqu'à 10 heures, puis en incréments de 1 heure jusqu'à 24 heures.
3. Utilisez le bouton mode pour sélectionner le mode désiré.
4. Utilisez le bouton du ventilateur pour sélectionner la vitesse souhaitée du ventilateur.
5. L'heure sélectionnée apparaîtra sur le panneau d'affichage et débutera jusqu'à ce que l'appareil s'allume.

Fonction de désactivation automatique



1. Appuyez deux fois sur le bouton de la minuterie et le voyant d'arrêt automatique s'allume.
2. Utilisez les flèches haut et bas pour sélectionner le délai souhaité avant que l'appareil ne soit éteint. Les flèches vers le haut et vers le bas ajouteront ou soustrairont le temps en incréments de 30 minutes jusqu'à 10 heures, puis en incréments de 1 heure jusqu'à 24 heures.
3. L'heure sélectionnée apparaîtra sur le panneau d'affichage et débutera jusqu'à ce que l'appareil s'éteigne.

Utilisation automatique activée et désactivée simultanément

S'il est nécessaire que l'appareil s'allume, exécutez pendant une période de temps définie, puis éteignez, les deux fonctions de minuterie peuvent être utilisées en même temps en réglant d'abord l'une et l'autre. Les deux voyants lumineux s'allument et l'écran affiche jusqu'à l'extinction ou l'activation de l'appareil, quelle que soit la fonction réglée en premier.

Remarque: La minuterie ne met pas l'appareil sous tension et hors tension indéfiniment. Les minuteries fonctionneront une fois, puis l'appareil revient au fonctionnement régulier.

Si vous éteignez l'appareil, appuyez sur le bouton par défaut de la télécommande ou débranchez l'appareil pour effacer tous les paramètres de la mémoire, y compris la minuterie.

FILTRE À AIR

Le filtre à air doit être nettoyé environ toutes les 2 semaines. Le filtre à air peut nécessiter un nettoyage plus fréquent si il y a un choc important ou de la fourrure dans l'air.

Environ toutes les deux semaines, le voyant du filtre sur le panneau de commande s'allume pour rappeler le nettoyage du filtre. Suivez les étapes ci-dessous pour nettoyer le filtre et retournez l'appareil au fonctionnement normal.

1. Le filtre à air est situé derrière la grille d'admission avant. Pour retirer le filtre à air, saisissez la languette du filtre sur le côté droit de la grille et glissez-la vers la droite. Si la grille d'admission avant comporte deux retraits, tirez la grille vers l'avant pour retirer le filtre à air.
2. Utilisez un aspirateur avec une brosse douce pour enlever les grands débris ou la poussière du filtre à air.
3. Laver le filtre dans de l'eau tiède savonneuse, inférieure à 40 ° C (104 ° F), ou utiliser un agent de nettoyage neutre.
4. Rincez le filtre avec de l'eau propre et séchez bien avant de le réinstaller dans l'appareil.
5. Appuyez sur le bouton de filtre sur le panneau de commande pour reprendre le fonctionnement normal.

Remarque: Ne pas utiliser l'appareil sans le filtre à air installé.

CODES D'ERREUR

Si le panneau d'affichage affiche l'un des codes d'erreur ci-dessous, débranchez l'appareil, laissez reposer pendant 5 à 10 minutes, puis rallumez-le. Si l'erreur persiste, appelez le service.

AS - Erreur du capteur de température ambiante

HI - Erreur du capteur de température

LO - Erreur du capteur de température

. - Erreur du capteur de température de l'évaporateur

NETTOYAGE

Pour éviter tout risque d'électrocution, assurez-vous que l'appareil est débranché avant d'effectuer un nettoyage ou une maintenance.

L'extérieur de l'appareil peut être nettoyé avec un chiffon doux ou avec un chiffon tiède et humide si nécessaire.

N'utilisez pas d'essence, de benzène, de diluant ou de tout autre produit chimique pour nettoyer cet appareil car ces substances peuvent endommager la finition et la déformation des pièces en plastique.

Ne versez jamais d'eau directement sur l'appareil, car cela entraînera une détérioration des composants électriques et de l'isolation des câbles.

SOINS POUR LA FIN DE SAISON

Avant de retirer l'appareil du service pour l'année, faites fonctionner l'appareil sur le mode ventilateur élevé pendant une demi-journée pour vous assurer que l'intérieur de l'appareil est sec. Cela aidera à éviter la croissance de la moisissure ou de la moisissure à l'intérieur de l'appareil. Assurez-vous que le filtre est propre et sec. Rangez l'appareil dans un endroit sec.

Remarque: Lors de l'installation ou de l'enlèvement de l'appareil de la fenêtre, veillez à ce qu'il soit prudent de l'empêcher de tomber vers l'arrière. Il est recommandé que l'installation ou l'enlèvement soit complété avec une assistance pour éviter les blessures aux personnes ou les dommages matériels ou l'appareil.

DISPOSITION

Vérifiez la conformité réglementaire locale concernant l'élimination approuvée et sûre de cet appareil.

DÉPANNAGE

Danby soins du consommateur: 1-800-263-2629

Heures d'ouverture:

Lundi à Jeudi 8 h 30 à 18 h, heure normale de l'Est

Vendredi de 8 h 30 à 16 h, heure normale de l'Est

Les informations contenues dans ce manuel sont sujettes à modification sans préavis.

PROBLÈME	CAUSE POSSIBLE
L'appareil ne fonctionnera pas	<ul style="list-style-type: none">• La fiche n'est pas complètement insérée dans la prise murale• Fusible soufflé ou disjoncteur
Refroidissement insuffisant	<ul style="list-style-type: none">• Le filtre à air est sale• Flux d'air bloqué• La taille de l'appareil est trop petite pour l'application
Bruit	<ul style="list-style-type: none">• Support inadéquat dans l'installation de fenêtres
Les odeurs	<ul style="list-style-type: none">• Formation de moisissure sur des surfaces intérieures humides• Placer un comprimé d'algaïcide dans un moule de base; poussez la tablette à travers la grille de chaque côté de l'appareil
L'eau s'écoule à l'intérieur	<ul style="list-style-type: none">• L'appareil n'est pas correctement incliné pour permettre à l'eau de s'écouler vers l'extérieur
Eau dégouttant à l'extérieur	<ul style="list-style-type: none">• Sur des jours très chauds ou humides, l'eau qui goutte à l'arrière de l'appareil est normale
Accumulation de givre	<ul style="list-style-type: none">• Lorsque les températures extérieures sont inférieures à 18,3°C (65°F), une gelée peut se former lorsque l'appareil est en mode refroidissement• Mettez l'appareil en mode ventilateur seulement jusqu'à ce que le givre fond

GARANTIE LIMITÉE "À DOMICILE"

Cet appareil de qualité est garanti exempt de tout vice de matière première et de fabrication, s'il est utilisé dans les conditions normales recommandées par le fabricant.

Cette garantie n'est offerte qu'à l'acheteur initial de l'appareil vendu par Danby Products Limited (Canada) ou Danby Products Inc. (E.-U.A.) (ci-après « Danby ») ou par l'un des ses distributeurs agréés et elle ne peut être transférée.

CONDITIONS

Les pièces en plastique sont garanties pendant trente (30) jours seulement à partir de la date de l'achat, sans aucune prolongation prévue.

Premiers 12 mois Pendant les premiers **douze (12) mois**, toutes les pièces fonctionnelles de ce produit qui s'avèrent défectueuses seront réparées ou remplacées, selon le choix du garant, sans frais à l'acheteur initial.

Pour bénéficiaire du service S'adresser au détaillant qui a vendu l'appareil, ou à la station technique agréée de service la plus proche, où les réparations doivent être effectuées par un technicien qualifié. Si les réparations sont effectuées par quiconque autre que la station de service agréée ou à des fins commerciales, toutes les obligations de Danby en vertu de cette garantie seront annulées.

Limites de l'entretien à domicile Danby se réserve le droit de limiter les limites de "Service au domicile" à proximité d'un dépôt de service agréé. Tout appareil nécessitant un service en dehors des limites de "Service à domicile" sera la responsabilité du consommateur de transporter l'appareil à leur propres frais le point d'achat original ou un dépôt de service pour réparation. Si l'appareil est installé à plus de **100 kilomètres (62 milles)** du centre de service le plus proche, il doit être livré à l'atelier de réparation autorisé par Danby le plus proche, car l'entretien doit uniquement être réalisé par un technicien qualifié et certifié pour effectuer un entretien couvert par la garantie de Danby.

Les frais de transport entre votre domicile et le lieu de l'entretien ne sont pas couverts par la présente garantie et doivent être acquittés par l'acheteur.

Aucune partie de la garantie ne prévoit implicitement que le fabricant sera tenu responsable des dommages subis par les aliments ou d'autres types de contenu, qu'ils soient causés par la défectuosité de l'appareil ou par son usage adéquat ou inadéquat.

EXCLUSIONS

En vertu de la présente, il n'existe aucune autre garantie, condition ou représentation, qu'elle soit exprimée ou tacite, de façon manifeste ou intentionnelle, par Danby ou ses distributeurs agréés. De même, sont exclues toutes les autres garanties, conditions ou représentations, y compris les garanties, conditions ou représentations en vertu de toute loi régissant la vente de produits ou de toute autre législation ou règlement semblables. En vertu de la présente, Danby ne peut être tenue responsable en cas de blessures corporelles ou des dégâts matériels, y compris à l'appareil, quelle qu'en soit la cause. Danby ne peut pas être tenue responsable des dommages indirects dus au fonctionnement défectueux de l'appareil. En achetant l'appareil, l'acheteur accepte de mettre à couvert et de dégager Danby de toute responsabilité en cas de réclamation pour toute blessure corporelle ou tout dégât matériel causé par cet appareil.

CONDITIONS GÉNÉRALES

La garantie ou assurance ci-dessus ne s'applique pas si les dégâts ou réparations sont dus aux cas suivants:

- 1) Panne de courant.
- 2) Dommages subis pendant le transport ou le déplacement de l'appareil.
- 3) Alimentation électrique incorrecte (tension faible, câblage défectueux, fusibles incorrects).
- 4) Accident, modification, emploi abusif ou incorrect de l'appareil tel qu'une circulation d'air inadéquate dans la pièce ou des conditions de fonctionnement anormales (température extrêmement élevée ou basse).
- 5) Utilisation dans un but commercial ou industriel (à savoir, si l'appareil n'est pas installé dans un domicile résidentiel).
- 6) Incendie, dommages causés par l'eau, vol, guerre, émeute, hostilités, cas de force majeure (ouragan, inondation, etc.).
- 7) Visites d'un technicien pour expliquer le fonctionnement de l'appareil au propriétaire.
- 8) Installation inappropriée (par exemple, encastrement d'un appareil autoportant, ou utilisation extérieure d'un appareil non conçu à cet effet, y compris, mais sans s'y limiter: les garages, les patios, les porches ou ailleurs qui ne sont pas correctement isolés ou climatisés).

La preuve de la date d'achat sera requise pour les réclamations de garantie; Conserver les factures de vente. Dans le cas où un service de garantie est requis, présentez la preuve d'achat à notre dépôt de service agréé.

Service sous garantie

Service au domicile

Danby Products Limited
PO Box 1778, Guelph, Ontario, Canada N1H 6Z9
Téléphone : (519) 837-0920 Télécopieur: (519) 837-0449

1-800-263-2629
04/17

Danby Products Inc.
PO Box 669, Findlay, Ohio, U.S.A. 45840
Téléphone: (419) 425-8627 Télécopieur: (419) 425-8629

Bienvenido

Bienvenido a la familia Danby. Estamos orgullosos de nuestros productos de calidad y creemos en un servicio confiable. Sugerimos que lea este manual del propietario antes de conectar el nuevo aparato ya que contiene información importante sobre la operación, información de seguridad, solución de problemas y consejos de mantenimiento para garantizar la fiabilidad y longevidad de su electrodoméstico.

Visite **www.Danby.com** para acceder a herramientas de autoservicio, preguntas frecuentes y mucho más. Para asistencia adicional, llame al **1-800-263-2629**.

Tenga en cuenta la información siguiente; Necesitará esta información para obtener un servicio bajo garantía.

Debe proporcionar el recibo de compra original para validar su garantía y recibir servicio.

Número de modelo: _____

Número de serie: _____

Fecha de compra: _____

Necesitas ayuda?

Antes de llamar al servicio, aquí hay algunas cosas que puede hacer para ayudarnos a servirle mejor.

Lea este manual del propietario:

Contiene instrucciones para ayudarlo a usar y mantener su aparato correctamente.

Si recibe un aparato dañado:

Inmediatamente póngase en contacto con el minorista o el constructor que le vendió el aparato.

Ahorre tiempo y dinero:

Consulte la sección de solución de problemas al final de este manual antes de llamar. Esta sección le ayudará a resolver problemas comunes que pueden ocurrir.



1-800-26- Danby
(1-800-263-2629)



Información de Seguridad Importante

LEA Y SIGA TODAS LAS INSTRUCCIONES DE SEGURIDAD

REQUISITOS ELÉCTRICOS

Todo el cableado debe cumplir con los códigos locales y nacionales y debe ser instalado por un electricista calificado. Compruebe la fuente de alimentación disponible y resuelva cualquier problema de cableado antes de instalar y operar este aparato.

La placa de características situada en el lado derecho del aparato, justo por encima del cable de alimentación, contiene datos eléctricos y otros datos técnicos.

Este aparato no está diseñado para la instalación "a través de la pared".

INSTRUCCIONES DE CONEXION A TIERRA

Este aparato debe estar conectado a tierra. La puesta a tierra reduce el riesgo de descarga eléctrica proporcionando un cable de escape para la corriente eléctrica.

Este aparato tiene un cable que tiene un cable de conexión a tierra con un enchufe de 3 clavijas. El cable de alimentación debe estar enchufado en un tomacorriente que esté debidamente conectado a tierra. Si el tomacorriente es un tomacorriente de pared de 2 terminales, debe ser reemplazado por un tomacorriente de pared de 3 clavijas debidamente conectado a tierra.

ADVERTENCIA - El uso incorrecto del enchufe de conexión a tierra puede resultar en un riesgo de descarga eléctrica. Consulte a un electricista calificado o agente de servicio si las instrucciones de conexión a tierra no se entienden completamente o si existe duda sobre si el aparato está debidamente conectado a tierra.

No conecte el aparato a los cables de extensión ni con otro aparato en la misma toma de corriente.

No empalme el cable de alimentación. No corte ni extraiga en ningún caso la tercera clavija de tierra del cable de alimentación. No utilice cables de extensión ni adaptadores sin conexión a tierra (dos clavijas).

Si el cable de alimentación está dañado, debe ser reemplazado por el fabricante, su agente de servicio o persona calificada similar para evitar riesgos.

UBICACIÓN

Este acondicionador de aire está diseñado para una fácil instalación en ventanas de una o dos ventanas. Dado que los diseños de las ventanas varían, puede ser necesario realizar algunas modificaciones para una instalación segura.

Este acondicionador de aire no está diseñado para ventanas verticales tipo deslizante o instalación "a través de la pared".

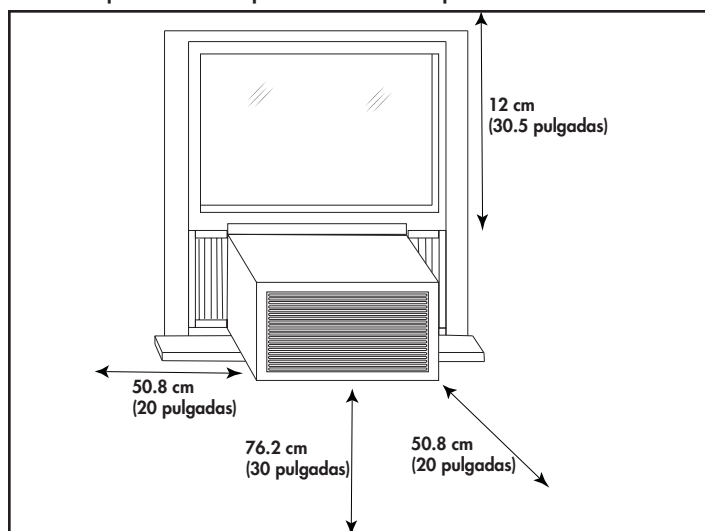
Asegúrese de que la ventana y el marco son estructuralmente sólidos y libres de madera seca o podrida.

Instale el acondicionador de aire en una ventana en un lado del edificio que favorece más sombra que la luz del sol. Si el aparato debe estar a la luz directa del sol, es aconsejable proporcionar un toldo de sombra sobre el aparato para garantizar un funcionamiento eficaz.

No instale el aparato donde se sospeche una fuga de gas combustible.

Este aparato está diseñado para evaporar la condensación en condiciones normales. En condiciones extremadamente calientes o húmedas, el exceso de condensación puede desbordarse hacia el exterior. El aparato debe instalarse donde la condensación no pueda gotear sobre peatones o propiedades vecinas.

Asegure un espacio suficiente alrededor del aparato para permitir una amplia circulación de aire. La parte trasera del aparato debe estar al aire libre, no debe estar en un garaje u otra habitación. Mantenga el aparato alejado de obstáculos ya una distancia mínima de 76 cm (30 pulgadas) del suelo. Asegúrese de que las cortinas y otras obstrucciones no bloqueen el flujo de aire al aparato.



¡GUARDE ESTAS INSTRUCCIONES!

INSTRUCCIONES DE INSTALACIÓN

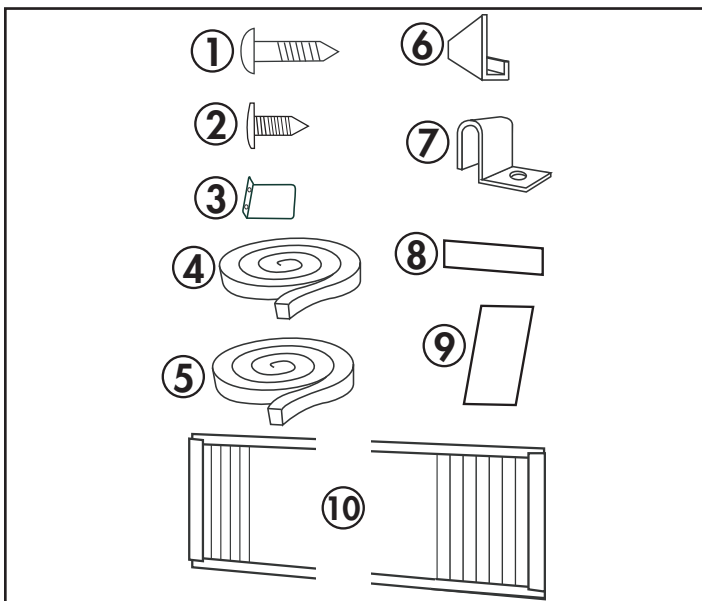
HERRAMIENTAS REQUERIDAS

- Destornilladores: Phillips y cabeza plana.
- Taladro eléctrico: 3.2 mm (1/8 pulgada) de diámetro de la broca
- Lápiz
- Cinta métrica
- Tijeras
- Nivel de carpintero

ACCESORIOS

Los siguientes accesorios se incluyen con el aparato y se deben utilizar durante la instalación.

1. Tornillos de 13 mm (1/2 pulg) (x7)
2. Tornillos de 9.5 mm (3/8 pulgadas) (x4) (instalados en fábrica en algunos modelos)
3. Cerradura de seguridad (x1)
4. Sello de espuma adhesiva (x1)
5. Sello Normal de Espuma (x1)
6. Soporte de montaje en forma de "L" (x1) (instalado en fábrica en algunos modelos)
7. Soporte de cortina (x2)
8. Descabezado del tiempo (x5)
9. Inserción de Espuma (x2)
10. Cortinas laterales (x2)



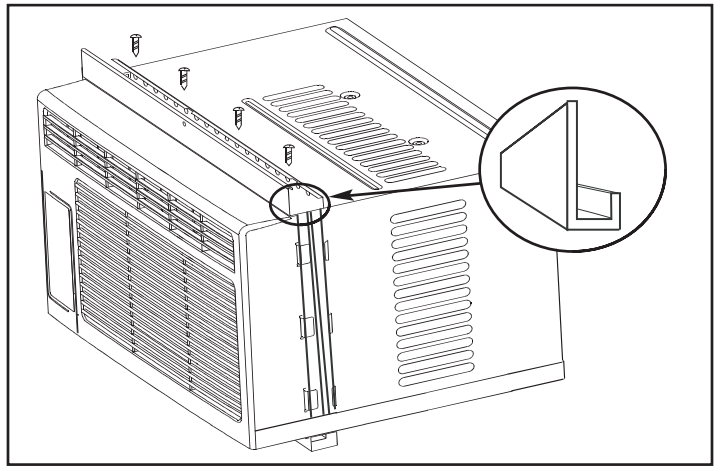
ASAMBLEA

Nota: Las imágenes de este manual son sólo para fines educativos. La forma real del aparato puede variar ligeramente.

Instale el soporte en forma de "L"

Sujete el soporte en forma de "L" a la parte superior del gabinete como se muestra a continuación utilizando los tornillos de 9.5 mm (3/8 pulgadas) suministrados (x4).

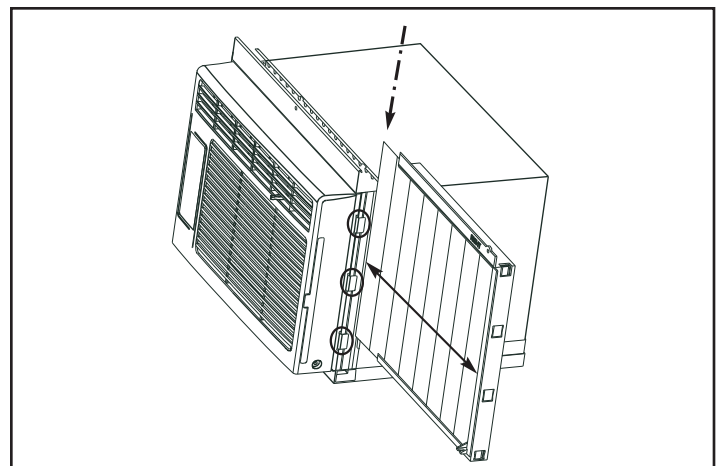
Nota: El soporte en forma de "L" puede venir instalado de fábrica en algunos modelos.



Instale las cortinas laterales

Fije las cortinas laterales al gabinete deslizando el marco de la cortina en el canal lateral del gabinete como se muestra a continuación.

Las cortinas están etiquetadas "izquierda" y "derecha" en los marcos. Esto se refiere a los lados izquierdo y derecho del aparato cuando está frente a la parte frontal del aparato.



INSTRUCCIONES DE INSTALACIÓN

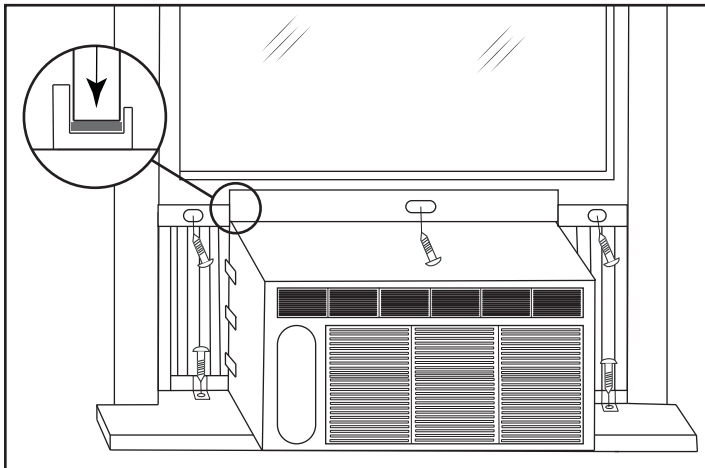
INSTALACIÓN

Cortar el sello de espuma regular para adaptarse a la zona del alféizar de la ventana que el acondicionador de aire reposará.

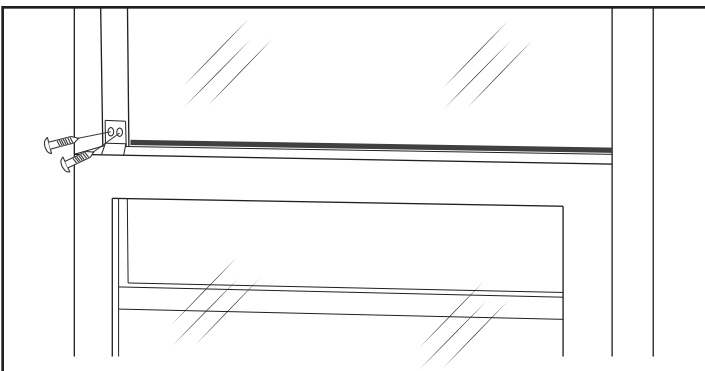
Coloque el acondicionador de aire en la ventana con el soporte de montaje en forma de "L" colocado delante de la hoja superior. La parte inferior del gabinete debe colocarse sobre la parte empotrada del marco de la ventana. Tire del marco de la ventana superior hasta que quede justo detrás de la brida delantera del soporte de montaje en forma de "L".

Expanda las cortinas laterales de cada lado y asegure la parte superior de los marcos a la hoja de la ventana con un tornillo de 13 mm (1/2 pulgada) en cada lado del soporte de montaje en forma de "L".

Fije las abrazaderas en la parte inferior de cada cortina al umbral de la ventana usando un tornillo de 13 milímetros (1/2 pulgada) en cada lado del gabinete.



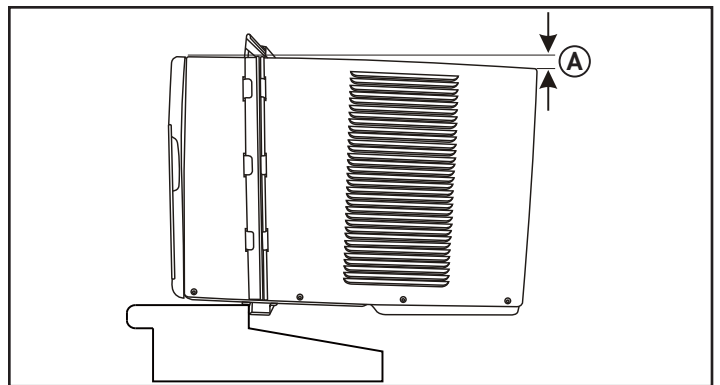
Coloque el sello de espuma adhesiva en la abertura entre las ventanas interior y exterior y fije la cerradura de seguridad al marco exterior de la ventana con dos tornillos de 13 mm (1/2 pulgada).



Compruebe el ángulo de inclinación

El acondicionador de aire debe inclinarse hacia abajo hacia el exterior aproximadamente de 3° a 4°. Esta inclinación estimulará el drenaje del agua condensada hacia el exterior. Si hay fugas de agua condensada en el interior de la casa, compruebe el ángulo de inclinación y ajuste si es necesario.

Mida el ángulo de inclinación desde el frente del borde del gabinete. La diferencia de altura entre la parte delantera y la parte posterior del aparato, denominada "A" en la imagen inferior, debe ser de aproximadamente 19 mm a 2.5 cm (3/4 de pulgada - 1 pulgada).

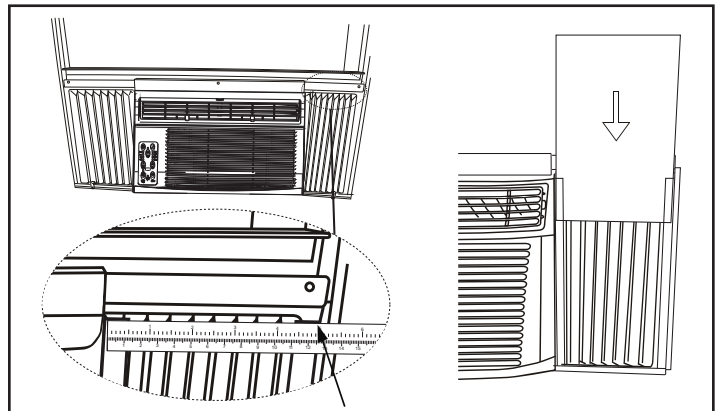


Instale los insertos de espuma

Los insertos de espuma pueden bloquear cualquier grietas o espacios en las cortinas laterales y ayudar a mantener la eficiencia energética del aparato.

Después de instalar el aparato en la ventana, mida la anchura de las cortinas laterales desde el lado del aparato hasta el borde de la cortina.

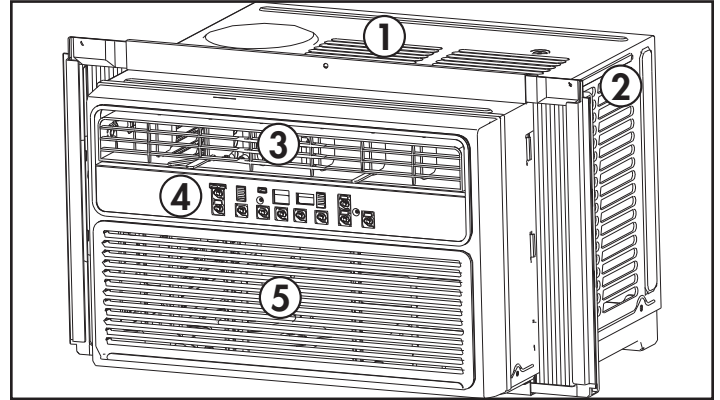
Si es necesario, corte el inserto de espuma al tamaño correcto y luego deslice el inserto de espuma en las ranuras de la cortina lateral. El desmontaje meteorológico suministrado se puede utilizar para bloquear cualquier otra grieta o espacio, según sea necesario.



INSTRUCCIONES DE OPERACIÓN

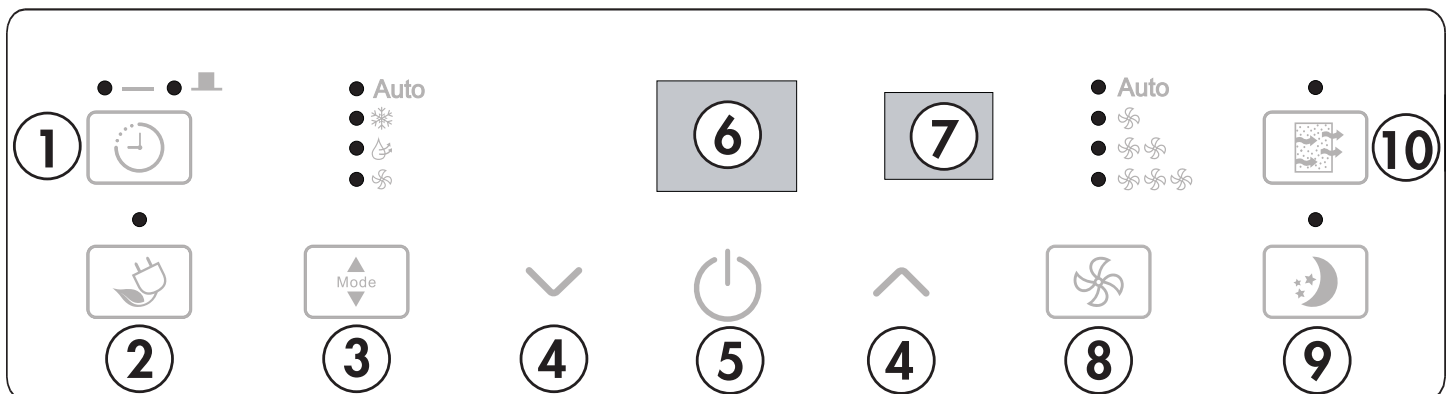
CARACTERÍSTICAS

1. Gabinete
2. Entrada de aire exterior
3. Salida de aire interior
4. Entrada de aire interior
5. Panel de control
6. Filtro de aire (no representado)



PANEL DE CONTROL

1. **Botón del temporizador:** Se utiliza para establecer el temporizador de encendido automático y apagado automático.
2. **Botón de ahorro de energía:** Se utiliza para configurar la función de ahorro de energía.
3. **Botón de modo:** Se utiliza para elegir el modo de funcionamiento.
4. **Flechas arriba y abajo:** Se utiliza para ajustar la temperatura ajustada en incrementos de 1° y la función del temporizador en incrementos de 30 minutos hasta 10 horas y luego en incrementos de 1 hora hasta 24 horas.
5. **Botón de encendido:** Se utiliza para encender o apagar el aparato.
6. **Panel de visualización:** Muestra la temperatura ajustada, la temperatura ambiente y los ajustes del temporizador. Para cambiar la escala de temperatura que se está visualizando, presione los botones arriba y abajo al mismo tiempo.
7. **Receptor de control remoto:** Asegúrese de que este receptor no esté oscurecido por cortinas u otros elementos, ya que podría afectar el funcionamiento del control remoto.
8. **Botón del ventilador:** Se utiliza para ajustar la velocidad del ventilador. El ventilador puede ajustarse a Bajo, Medio, Alto y Auto.
9. **Botón dormir:** Se utiliza para configurar la función dormir.
10. **Botón filtro:** La luz indicadora se iluminará como un recordatorio para comprobar el filtro. Una vez limpiado el filtro, utilice este botón para reanudar el funcionamiento.



INSTRUCCIONES DE OPERACIÓN

CONTROL REMOTO

- Botón de modo:** Se utiliza para elegir el modo de funcionamiento.
 - Botón de ahorro de energía:** Se utiliza para configurar la función de ahorro de energía.
 - Flechas arriba y abajo:** Se utiliza para ajustar la temperatura ajustada en incrementos de 1° y la función del temporizador en incrementos de 30 minutos hasta 10 horas y luego en incrementos de 1 hora hasta 24 horas.
 - Botón predeterminado:** Presione para restaurar los ajustes predeterminados del control remoto.
 - Botón de bloqueo:** Presione este botón para bloquear el mando a distancia y evitar que los ajustes se cambien inadvertidamente.
 - Botón de reposo:** Se utiliza para establecer la función de reposo.
 - Botón LED:** Presione para encender o apagar la luz trasera del LED.
 - Botón Reloj:** Mantenga pulsado el botón durante 3 segundos para ajustar el reloj. Presione las flechas arriba y abajo para ajustar la hora en intervalos de 10 minutos.
- Nota:** La función de reloj sólo está disponible en el mando a distancia, el aparato no tiene reloj. El reloj remoto es un reloj de 24 horas solamente.
- Botón cancelar:** Cancela la configuración actual del temporizador.
 - Botón del temporizador:** Se utiliza para establecer el temporizador de encendido automático y apagado automático.
 - Botón del ventilador:** Se utiliza para ajustar la velocidad del ventilador. El ventilador puede ajustarse a Bajo, Medio, Alto y Auto.



PILAS DEL CONTROL REMOTO

El mando a distancia requiere dos pilas alcalinas AAA (incluidas). Las baterías deben ser reemplazadas cuando:

- No se escucha ningún sonido al intentar programar el aparato.
- El aparato no responde a una orden emitida por el mando a distancia.

Cambio de batería:

- Deslice la cubierta posterior del mando a distancia en la dirección de la flecha.
- Inserte dos pilas AAA siguiendo la misma orientación que se muestra en el interior de la cámara de la batería (+/-).
- Vuelva a instalar la cubierta trasera.
- Si el mando a distancia no se utilizará durante períodos de tiempo prolongados, las baterías se deben quitar.

Notas:

- Proteja el control remoto de altas temperaturas y manténgalo alejado de la exposición a la radiación.
- Mantenga el receptor del panel de control alejado de la luz directa del sol.
- No mezcle baterías viejas y nuevas.
- No mezcle pilas alcalinas, estándar (carbono-zinc) o recargables (ni-cad, ni-mh, etc.).
- El control remoto funciona a una distancia de 8 metros (26 pies) del receptor situado dentro del aparato principal. Cualquier obstrucción entre el receptor y el remoto puede causar interferencia de señal, limitando la capacidad de programar la unidad principal.

INSTRUCCIONES DE OPERACIÓN

INSTRUCCIÓN DE LA FUNCIÓN

Modos de funcionamiento

Hay cuatro modos de funcionamiento a elegir. Pulse el botón de modo repetidamente para seleccionar el modo deseado. La luz indicadora adyacente se iluminará para mostrar qué modo se ha seleccionado.

- **Modo de enfriamiento**

Elija modo de enfriamiento para ajustar la función de enfriamiento. Utilice las flechas arriba y abajo para elegir la temperatura deseada. Cuando se selecciona modo de enfriamiento, la velocidad del ventilador se puede ajustar pulsando el botón del ventilador.

- **Modo seco**

Elija modo seco para eliminar el exceso de humedad del aire durante períodos de alta humedad. Todo el agua extraída del aire se condensará dentro del aparato y drenará la parte posterior. La velocidad del ventilador se ajustará automáticamente y no podrá modificarse en modo seco.

- **Modo de ventilador**

Elija modo ventilador para ejecutar el ventilador interno sin activar la función de enfriamiento. Presione el botón del ventilador repetidamente para elegir la velocidad del ventilador, Baja, Med, Alta o Auto.

- **Modo automático**

Auto Mode es un programa de fábrica predefinido que define automáticamente el modo (enfriamiento o seco) y la velocidad del ventilador en función de la temperatura ajustada, la temperatura ambiente y la humedad ambiental.

Función de ahorro de energía

La función de ahorro de energía encenderá y apagará automáticamente el ventilador cuando el compresor no esté en uso para minimizar la frecuencia con la que el compresor debe encenderse. Esta función está disponible en los modos enfriamiento, seco, enfriamiento automático y ventilador automático.

El ventilador continuará funcionando durante 3 minutos después de que el compresor se apague. El ventilador se encenderá durante 2 minutos en intervalos de 10 minutos hasta que la temperatura ambiente esté por encima de la temperatura programada, momento en el que el compresor se encenderá y se reanudará la refrigeración.

Función de dormir

La función de dormir se puede utilizar para conservar la energía durante las horas de dormir.

Cuando se selecciona, la temperatura ajustada aumentará 1°C/2°F cada media hora durante una hora completa. El aparato mantendrá la nueva temperatura programada durante 6 horas antes de volver automáticamente al funcionamiento normal.

La función de suspensión se puede cancelar en cualquier momento presionando el botón dormir.

INSTRUCCIONES DE OPERACIÓN

Función del temporizador

La función de temporizador se puede utilizar para encender o apagar el aparato después de un período de tiempo determinado.

Función encendido automático



1. Pulse el botón del temporizador una vez y el indicador luminoso de encendido automático se iluminará.
2. Utilice las flechas arriba y abajo para seleccionar la cantidad de tiempo deseada antes de encender el aparato. Las flechas arriba y abajo sumarán o restarán el tiempo en incrementos de 30 minutos hasta 10 horas y luego en incrementos de 1 hora hasta 24 horas.
3. Utilice el botón de modo para seleccionar el modo deseado.
4. Utilice el botón ventilador para seleccionar la velocidad deseada del ventilador.
5. El tiempo seleccionado aparecerá en el panel de visualización y contará hasta que el aparato se encienda.

Función de apagado automático



1. Pulse dos veces el botón del temporizador y la luz indicadora de apagado automático se iluminará.
2. Utilice las flechas Arriba y Abajo para seleccionar la cantidad de tiempo deseada antes de que el aparato se apague. Las flechas arriba y abajo sumarán o restarán el tiempo en incrementos de 30 minutos hasta 10 horas y luego en incrementos de 1 hora hasta 24 horas.
3. La hora seleccionada aparecerá en el panel de visualización y contará hasta que el aparato se apague.

Uso de encendido automático y apagado automático simultáneamente

Si es necesario que el aparato se encienda, ejecute durante un período de tiempo determinado y luego apague, las funciones encendido automático y apagado automático se pueden utilizar al mismo tiempo, ajustando primero una y luego la otra. Ambas luces indicadoras se iluminarán y la pantalla contará hasta que el aparato se apague o encienda, sea cual sea la función que haya sido configurada en primer lugar.

Nota: El temporizador no encenderá y apagará el aparato indefinidamente. Los temporizadores encendido automático y apagado automático funcionarán una vez y luego el aparato volverá a su funcionamiento normal.

Apagando el aparato, presionando el botón por defecto del mando a distancia o desenchufando el aparato borrarán todos los ajustes de memoria, incluyendo el temporizador.

CUIDADO Y MANTENIMIENTO

FILTRO DE AIRE

El filtro de aire debe limpiarse aproximadamente cada 2 semanas. El filtro de aire puede requerir una limpieza más frecuente si hay caspa o pelaje en el aire.

Aproximadamente cada dos semanas, la luz indicadora del filtro en el panel de control se iluminará como un recordatorio para limpiar el filtro. Siga los pasos que se indican a continuación para limpiar el filtro y volver a ponerlo en funcionamiento normal.

1. El filtro de aire se encuentra detrás de la rejilla de admisión delantera. Para quitar el filtro de aire, sujete la lengüeta del filtro en el lado derecho de la parrilla y deslícela hacia la derecha. Si la rejilla de admisión delantera tiene dos muescas, tire de la parrilla hacia adelante para quitar el filtro de aire.
2. Utilice una aspiradora con un accesorio de cepillo suave para eliminar los residuos grandes o acumulación de polvo del filtro de aire.
3. Lave el filtro en agua tibia jabonosa, por debajo de 40°C (104°F), o utilice un agente de limpieza neutro.
4. Enjuague el filtro con agua limpia y séquelo completamente antes de volver a instalarlo en el aparato.
5. Pulse el botón de filtro en el panel de control para reanudar el funcionamiento normal.

Nota: No opere el aparato sin el filtro de aire instalado.

CÓDIGOS DE ERROR

Si el panel de visualización muestra alguno de los siguientes códigos de error, desenchufe el aparato, déjelo reposar durante 5-10 minutos y vuelva a enchufarlo. Si el error persiste, llame al servicio técnico.

AS - Error del sensor de temperatura ambiente

HI - Error del sensor de temperatura

LO - Error del sensor de temperatura

. - Error del sensor de temperatura del evaporador

LIMPIEZA

Para evitar posibles descargas eléctricas, asegúrese de que el aparato esté desenchufado antes de realizar cualquier limpieza o mantenimiento.

El exterior del aparato se puede limpiar con un paño suave o con un paño tibio y húmedo si es necesario.

No utilice gasolina, benceno, diluyente o cualquier otro producto químico para limpiar este aparato ya que estas sustancias pueden dañar el acabado y la deformación de las piezas de plástico.

Nunca vierta agua directamente sobre el aparato, ya que esto puede causar el deterioro de los componentes eléctricos y el aislamiento del cableado.

CUIDADO DE FINAL DE TEMPORADA

Antes de dejar el aparato en servicio durante el año, haga funcionar el aparato en modo de ventilador alto durante medio día para asegurarse de que el interior del aparato esté seco. Esto ayudará a evitar el crecimiento de moho o moho dentro del aparato. Asegúrese de que el filtro esté limpio y seco. Guarde el aparato en un lugar seco.

Nota: Al instalar o quitar el aparato de la ventana, asegúrese de que se tome precaución para evitar que caiga hacia atrás. Se recomienda que la instalación o remoción se complete con ayuda para evitar lesiones a personas o daños a la propiedad o al aparato.

DISPOSICIÓN

Compruebe la conformidad reglamentaria local con respecto a la eliminación aprobada y segura de este electrodoméstico.

SOLUCIÓN DE PROBLEMAS

Danby cuidado del consumidor: 1-800-263-2629

Horas de operación:

Lunes a Jueves 8:30 am - 6:00 pm Hora estándar del este

Viernes 8:30 am - 4:00 pm Hora estándar del este

La información de este manual está sujeta a cambios sin previo aviso.

PROBLEMA	CAUSA POSIBLE
El aparato no funcionará	<ul style="list-style-type: none">• El enchufe no está completamente insertado en el tomacorriente de pared• Fusible fundido o disyuntor
Enfriamiento insuficiente	<ul style="list-style-type: none">• El filtro de aire está sucio• Flujo de aire bloqueado• El tamaño del dispositivo es demasiado pequeño para la aplicación
Ruido	<ul style="list-style-type: none">• Soporte inadecuado en la instalación de ventanas
Olores	<ul style="list-style-type: none">• Formación de moho o moho en superficies mojadas internas• Coloque un comprimido de algicida en el molde de la base; empuje la tableta a través de la parrilla a cada lado del aparato
El agua que gotea en el interior	<ul style="list-style-type: none">• El aparato no está correctamente inclinado para permitir que el agua se drene hacia el exterior
El agua que gotea fuera	<ul style="list-style-type: none">• En días muy calurosos o húmedos, el agua goteada por la parte trasera del aparato es normal
Acumulación de escarcha	<ul style="list-style-type: none">• Cuando las temperaturas exteriores están por debajo de 18.3°C (65°F) puede formarse escarcha cuando el aparato esté en modo de enfriamiento• Cambie el aparato al modo ventilador sólo hasta que el hielo se derrita

GARANTÍA LIMITADA "A DOMICILIO"

Este producto de calidad está garantizado contra defectos de fabricación, incluyendo partes y mano de obra, siempre y cuando la unidad se utilice bajo las condiciones normales de funcionamiento para las que fue diseñado. Esta garantía está solamente disponible para la persona que haya comprado originalmente esta unidad directamente de Danby Products Limited (Canada) o Danby Products Inc. (U.S.A.) (en adelante "Danby") o uno de sus distribuidores autorizados, y no es transferible.

CONDICIONES DE LA GARANTÍA

Las piezas plásticas, se autorizan por treinta (30) días solamente a partir de la fecha de la compra, sin las extensiones proporcionadas.

Primeros 12 meses Durante los primeros **doce (12) meses**, cualquier parte en buen estado de este producto que resulte defectuosa, incluyendo cualquier sistema sellado, será reparado o reemplazado, a opción del fabricante, sin cargo para el comprador ORIGINAL.

Para obtener servicio Comuníquese con el distribuidor donde haya comprado la unidad, o llame al Taller de Servicio Autorizado más cercano, donde debe ser reparada por un técnico calificado. Si esta unidad es reparada en otro lugar que no sea un Taller de Servicio Autorizado, o si la unidad se utiliza para aplicaciones comerciales, Danby no se hará responsable de ninguna forma y la garantía será anulada.

Límites del servicio técnico a domicilio Danby se reserva el derecho de limitar la cobertura de "Servicio en Domicilio" sujeto a la proximidad de un **Taller de Servicio Autorizado**. Para todo artefacto que requiera servicio fuera del área limitada de "Servicio en Domicilio", el cliente será responsable por transportar dicho artefacto hasta el Taller de Servicio Autorizado más cercano. Si el electrodoméstico está instalado en un lugar que se encuentra a **100 kilómetros (62 millas)** o más del centro de servicios más cercano, se debe llevar la unidad al Centro de servicios Danby autorizado más cercano, ya que dicho servicio sólo puede realizarlo un técnico calificado y certificado por Danby para prestar servicios de garantía.

Los cargos por transporte desde y hacia el lugar en que se efectúe el servicio técnico no están cubiertos por esta garantía y son de responsabilidad del comprador.

Nada dentro de esta garantía implica que Danby será responsable por cualquier daño que hayan sufrido los alimentos u otros contenidos de este aparato, ya sea debido a un defecto del aparato, o su uso, adecuado o inadecuado.

EXCLUSIONES

Salvo lo aquí indicado por Danby, no existen otras garantías, condiciones o representaciones, explícitas o implícitas, concretas o intencionales por parte de Danby o sus distribuidores autorizados y todas las demás garantías, condiciones o representaciones, incluyendo cualquier garantía, condiciones o representaciones bajo cualquier Acta de Venta de Productos o legislación o estatuto similar, quedan de esta forma expresamente excluidas. **Salvo lo aquí indicado, Danby no serán responsables por ningún daño a personas o bienes, incluyendo la propia unidad, sin importar su causa, o de ningún daño indirecto causado por el desperfecto de la unidad, y al comprar esta unidad, el comprador acepta por la presente, indemnizar y proteger a Danby contra cualquier reclamo por daños a personas o bienes causados por la unidad.**

CONDICIONES GENERALES

No se considerará ninguna de estas garantías o seguros cuando el daño o la necesidad de reparación sea el producto de los siguientes casos:

- 1) Falla del suministro eléctrico.
- 2) Daños en tránsito o durante el transporte de la unidad.
- 3) Alimentación incorrecta, como bajo voltaje, instalación eléctrica defectuosa o fusibles inadecuados.
- 4) Accidente, modificación, abuso o uso incorrecto del artefacto, tal como insuficiente ventilación del ambiente o condiciones de operación anormales (temperatura ambiente extremadamente alta o baja).
- 5) Utilización comercial o industrial (v.g., si el electrodoméstico no está instalado en una vivienda particular).
- 6) Incendio, daños por agua, robo, guerra, disturbios, hostilidades, actos de fuerza mayor como huracanes, inundaciones, etc.
- 7) Pedidos de servicio debido a desinformación del usuario.
- 8) Instalación inadecuada (v.g., instalación empotrada de un electrodoméstico diseñado como unidad independiente o uso de un electrodoméstico al aire libre que no esté aprobado para dicho fin, incluyendo pero no limitado a: garajes, patios, porches o en cualquier lugar que no esté bien aislado o controlado por el clima).

Se requerirá una prueba de la fecha de compra para reclamaciones de garantía; Retener las facturas de venta. En el caso de que se requiera servicio de garantía, presente el comprobante de compra a nuestro depósito de servicio autorizado.

Servicio de Garantía
Servicio en Domicilio

Danby Products Limited
PO Box 1778, Guelph, Ontario, Canada N1H 6Z9
Telephone: (519) 837-0920 FAX: (519) 837-0449

1-800-263-2629
04/17

Danby Products Inc.
PO Box 669, Findlay, Ohio, U.S.A. 45840
Telephone: (419) 425-8627 FAX: (419) 425-8629



MODEL • MODÈLE • MODELO
DAC080BH UWDB