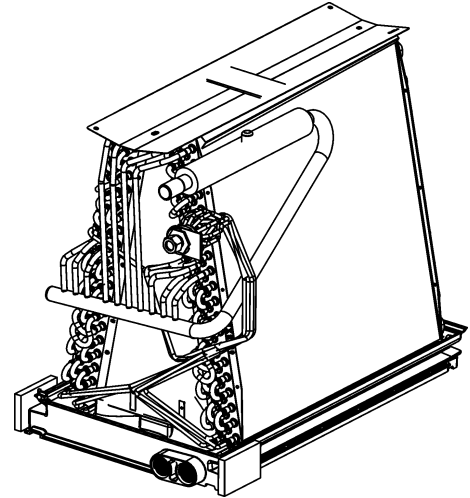


# REPAIR PARTS

---

## CAUFA Indoor Uncased Coil

CAUFA1714A6BA  
CAUFA1714B6BA  
CAUFA1818A6CA  
CAUFA1818B6CA  
CAUFA1818C6CA  
CAUFA2318A6BA  
CAUFA2318B6BA  
CAUFA2318C6BA  
CAUFA2418A6BA  
CAUFA2418B6BA  
CAUFA2418C6BA  
CAUFA2422A6BA  
CAUFA2422B6BA  
CAUFA2422C6BA  
CAUFA2922A6BA  
CAUFA2922B6BA  
CAUFA2922C6BA  
CAUFA3022A6BA  
CAUFA3022B6BA  
CAUFA3022C6BA  
CAUFA3022D6BA



This manual is to be used by qualified technicians only.

© 2021 Goodman Manufacturing Company, L.P. ♦ 5151 San Felipe St, Suite 500 ♦ Houston, TX 77056

# Important Information

---

## Index

Functional Parts List .....	3
Illustration and Parts .....	4 - 5

*Views shown are for parts illustrations only, not servicing procedures*

### Text Codes:

AR - As Required

NA - Not Available

NS - Not Shown

00000000 - See Note

QTY - Quantity Example (QTY 3) (If Quantity not shown, Quantity = 1)

M - Model Example (M1) (If M Code not shown, then part is used on all Models)

### Expanded Model Nomenclature:

Example M1 - Model#1 M2 - Model#2 M3 - Model#3
---

Goodman Manufacturing Company, L.P. is not responsible for personal injury or property damage resulting from improper service. Review all service information before beginning repairs.

Warranty service must be performed by an authorized technician, using authorized factory parts. If service is required after the warranty expires, Goodman Manufacturing Company, L.P. also recommends contacting an authorized technician and using authorized factory parts.

Goodman Manufacturing Company, L.P. reserves the right to discontinue, or change at any time, specifications or designs without notice or without incurring obligations.

For assistance within the U.S.A. contact:

Homeowner Support

Goodman Manufacturing Company, L.P.

19001 Kermier Road

Waller, Texas 77484

877-254-4729-Telephone

713-863-2382-Facsimile

For assistance outside the U.S.A. contact:

International Division

Goodman Manufacturing Company, L.P.

19001 Kermier Road

Waller, Texas 77484

713-861-2500-Telephone

713-863-2382-Facsimile

# Functional Parts

## Part

**No:**                    **Description:**

---

### SPECIAL PARTS

BT1369063            90 DEGREE STUB  
B1373311            ACCESS VALVE FITTING  
PKCG-4001ZB        PISTON KIT CHART

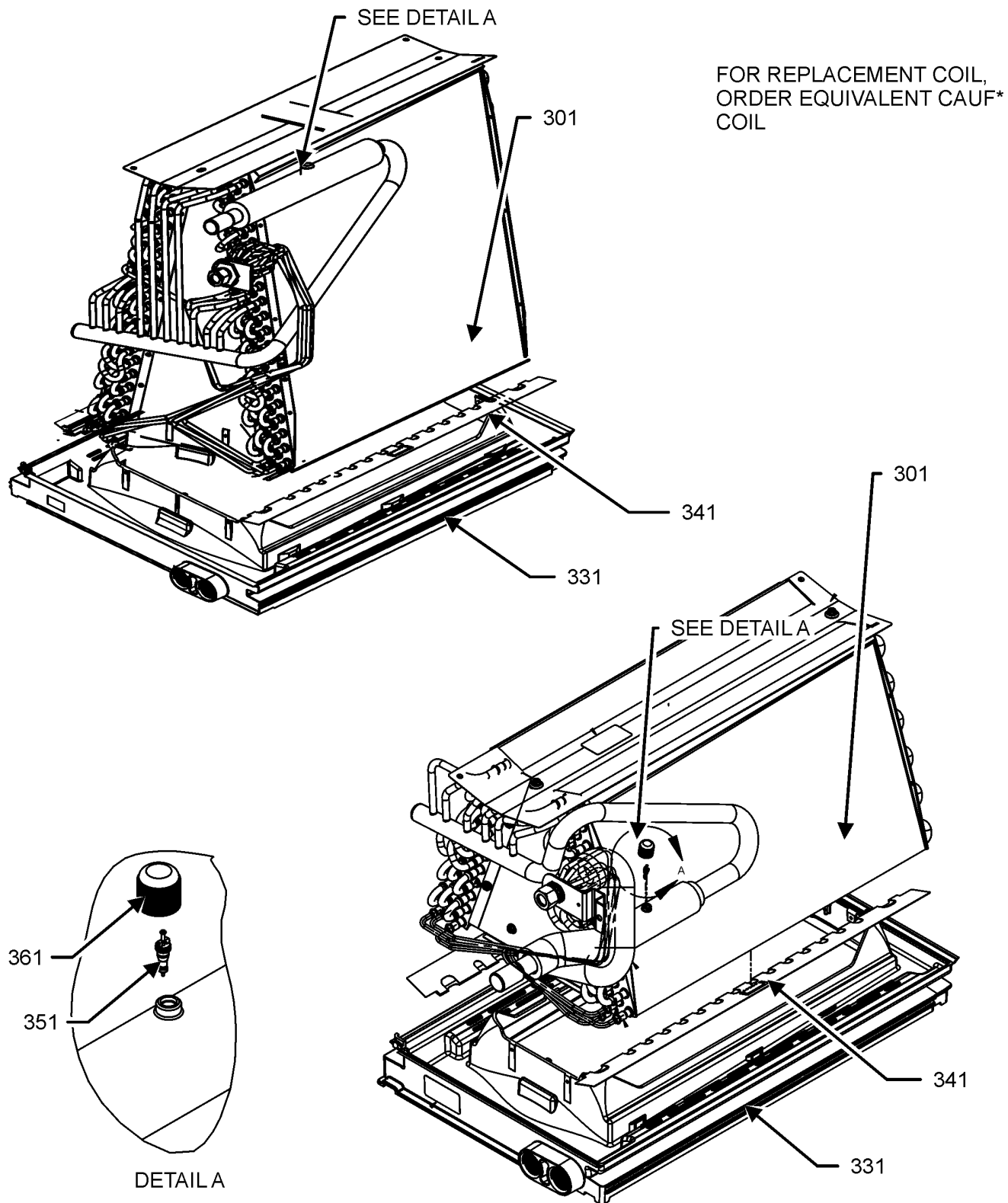
### Expanded Model Nomenclature

M1 - CAUFA1714A6BA
M2 - CAUFA1714B6BA
M3 - CAUFA1818A6CA
M4 - CAUFA1818B6CA
M5 - CAUFA1818C6CA
M6 - CAUFA2318A6BA
M7 - CAUFA2318B6BA
M8 - CAUFA2318C6BA
M9 - CAUFA2418A6BA
M10 - CAUFA2418B6BA
M11 - CAUFA2418C6BA
M12 - CAUFA2422A6BA
M13 - CAUFA2422B6BA
M14 - CAUFA2422C6BA
M15 - CAUFA2922A6BA
M16 - CAUFA2922B6BA
M17 - CAUFA2922C6BA
M18 - CAUFA3022A6BA
M19 - CAUFA3022B6BA
M20 - CAUFA3022C6BA
M21 - CAUFA3022D6BA



# COIL ASSEMBLY

## COIL ASSEMBLY



COIL TUBING ASSEMBLY MAY DIFFER FROM WHAT IS SHOWN



# COIL ASSEMBLY

Ref. Part No: No:	Description:	Ref. Part No: No:	Description:
<b>Image 1:</b>		<b>Expanded Model Nomenclature</b>	
301	0270D01190 TUBING ASSY, E COIL (M1)	M1	CAUFA1714A6BA
301	0270D01191 TUBING ASSY, E COIL (M3, M9)	M2	CAUFA1714B6BA
301	0270D01192 TUBING ASSY, E COIL (M6)	M3	CAUFA1818A6CA
301	0270D01251 TUBING ASSY, E COIL (M2)	M4	CAUFA1818B6CA
301	0270D01252 TUBING ASSY, E COIL (M4)	M5	CAUFA1818C6CA
301	0270D01256 TUBING ASSY, E COIL (M11)	M6	CAUFA2318A6BA
301	0270D01261 TUBING ASSY, E COIL (M19)	M7	CAUFA2318B6BA
301	0270D01262 TUBING ASSY, E COIL (M20)	M8	CAUFA2318C6BA
301	0270D01263 TUBING ASSY, E COIL (M21)	M9	CAUFA2418A6BA
301	0270D01264 TUBING ASSY, E COIL (M10)	M10	CAUFA2418B6BA
301	0270D01213 TUBING ASSY, EVAP COIL (M12)	M11	CAUFA2418C6BA
301	0270D01214 TUBING ASSY, EVAP COIL (M15)	M12	CAUFA2422A6BA
301	0270D01215 TUBING ASSY, EVAP COIL (M18)	M13	CAUFA2422B6BA
301	0270D01253 TUBING ASSY, EVAP COIL (M5)	M14	CAUFA2422C6BA
301	0270D01254 TUBING ASSY, EVAP COIL (M7)	M15	CAUFA2922A6BA
301	0270D01255 TUBING ASSY, EVAP COIL (M8)	M16	CAUFA2922B6BA
301	0270D01257 TUBING ASSY, EVAP COIL (M13)	M17	CAUFA2922C6BA
301	0270D01258 TUBING ASSY, EVAP COIL (M14)	M18	CAUFA3022A6BA
301	0270D01259 TUBING ASSY, EVAP COIL (M16)	M19	CAUFA3022B6BA
301	0270D01260 TUBING ASSY, EVAP COIL (M17)	M20	CAUFA3022C6BA
331	0161D00049 DRAIN PAN MAIN, E COIL (M2, M4, M7, M10, M13, M16, M19)	M21	CAUFA3022D6BA
331	0161D00050 DRAIN PAN MAIN, E COIL (M5, M8, M11, M14, M17, M20)	FOR REPLACEMENT COIL, ORDER EQUIVALENT CAUF* COIL.	
331	0161D00051 DRAIN PAN MAIN, E COIL (M21)		
331	0161D00116 DRAIN PAN MAIN, E COIL (M1, M3, M6, M9, M12, M15, M18)		
351	B1787000 VALVE CORE		
361	0163M00175 CAP W/O-RING		
NS	BT1369063 90 DEGREE STUB		
NS	B1373311 ACCESS VALVE FITTING		
NS	PKCG-4001ZB PISTON KIT CHART		
NS	0163M00097 SCREW-WASHERED (QTY 2)		

