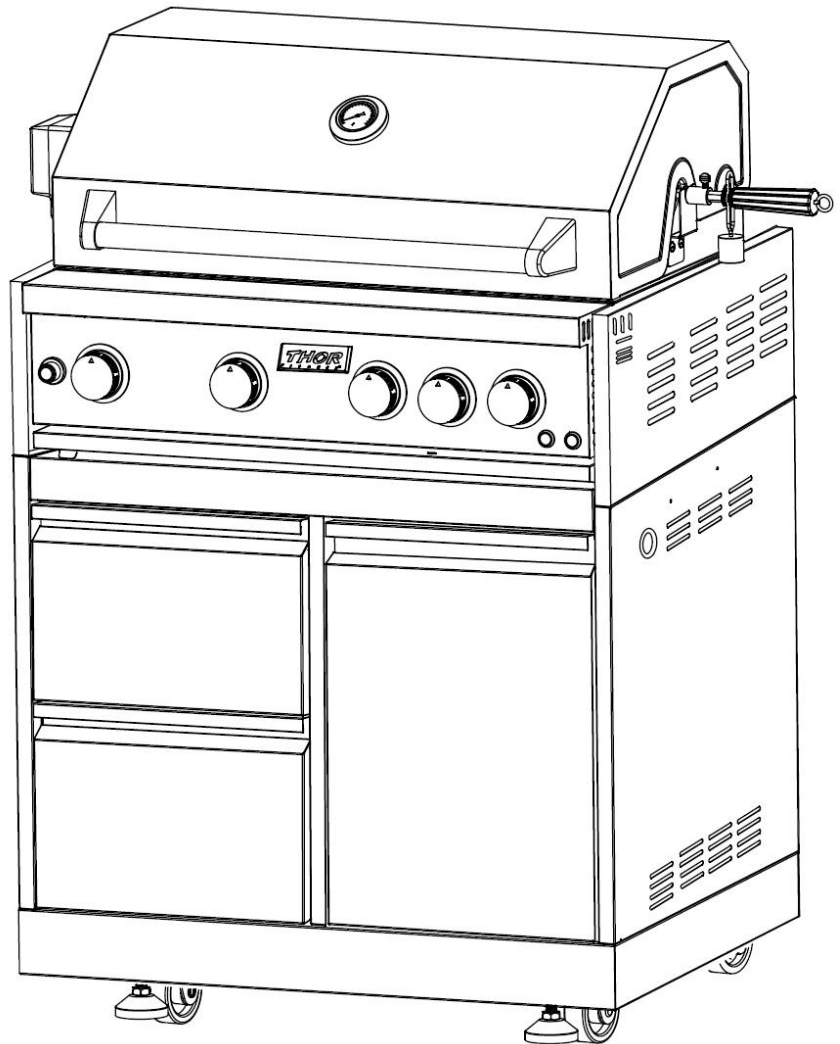




## Outdoor Grill Cabinet Installation Manual

MODEL# MK04SS304 Thor Kitchen Outdoor BBQ Grill (MK03SS304 for Cabinet)



### IMPORTANT:

Save for electrical inspector's use.

Installer: Leave installation instructions with the homeowner.

Homeowner: Keep installation instructions for future reference

## Warnings

These are the most critical warnings summarized below.

### **\*\*\*WARNING\*\*\***

- If the instructions in this manual are not followed exactly, a fire or explosion may result, causing property damage, personal injury or death.
- Do not store or use gasoline or other flammable substances and liquids near this or other appliance,
- Installation of this appliance must be done by a qualified, service agency or gas supplier.

### **What to do if you smell gas**

- Do not light any appliance
- Do not touch an electrical switch
- Immediately call the gas supplier from a neighbor's phone
- Follow the gas supplier's instructions
- If you cannot reach the gas supplier, call the fire department

## Welcome

Thank you for purchasing your Thor Kitchen Appliance! We appreciate your business and we recommend that you read this entire User's Manual before operating your new appliance for the first time.

This manual contains instructions on how to properly install and set up your new range, as well as insights into the unique features that our product offers. Please keep this manual for future reference, as it contains answers to questions that you might have as you begin to cook.

For any inquiries, please reach our customer service support at +1 877-288-8099 at our business hours or email [service@thorgroup.us](mailto:service@thorgroup.us).

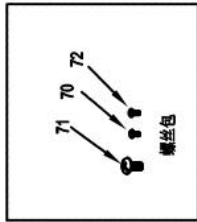
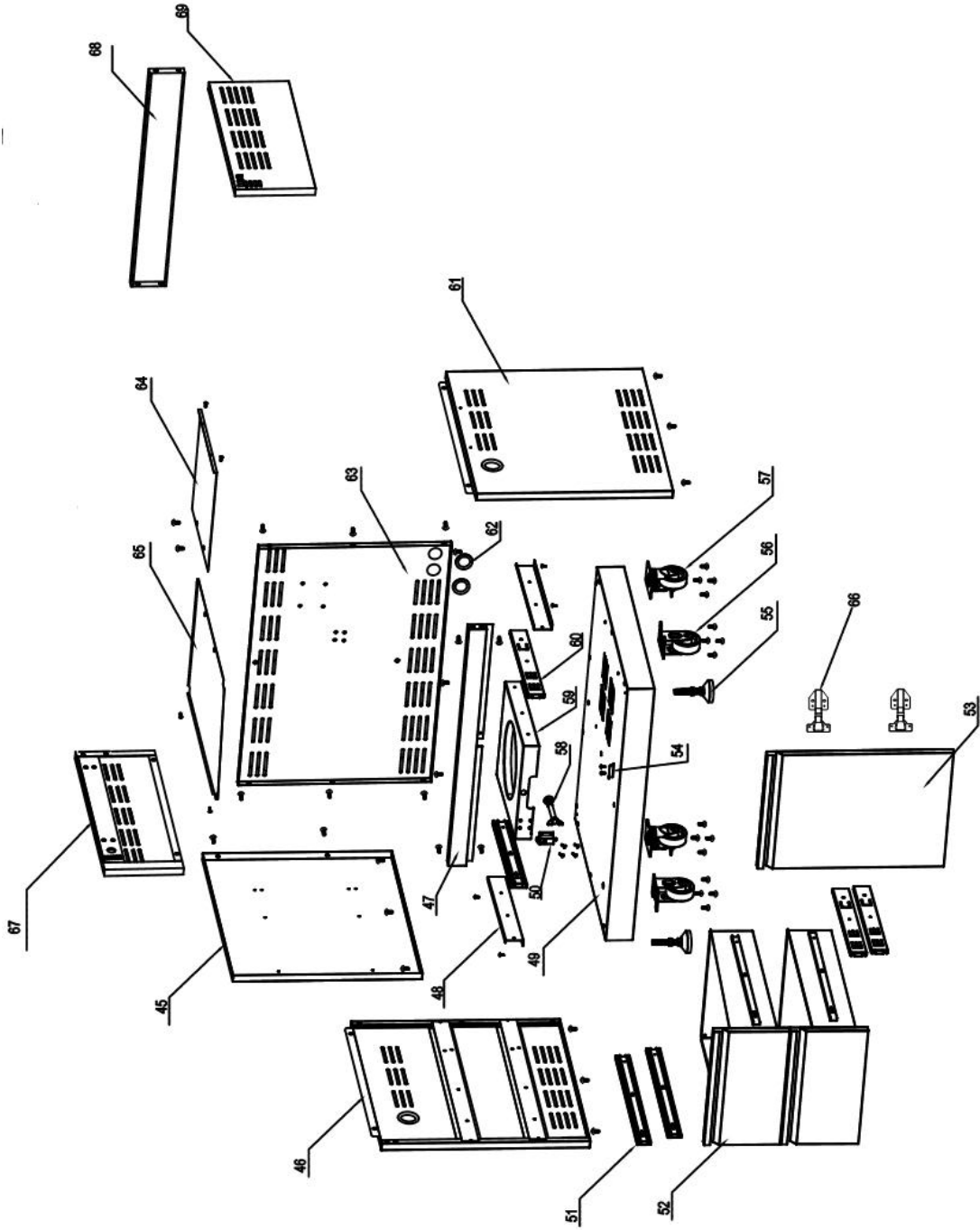
Thank you,  
Thor Group

This manual applies to the following models' series:

Model # MK03SS304 (Outdoor Grill Cabinet)

Model # MK04SS304 (Outdoor BBQ Grill)





## Parts List

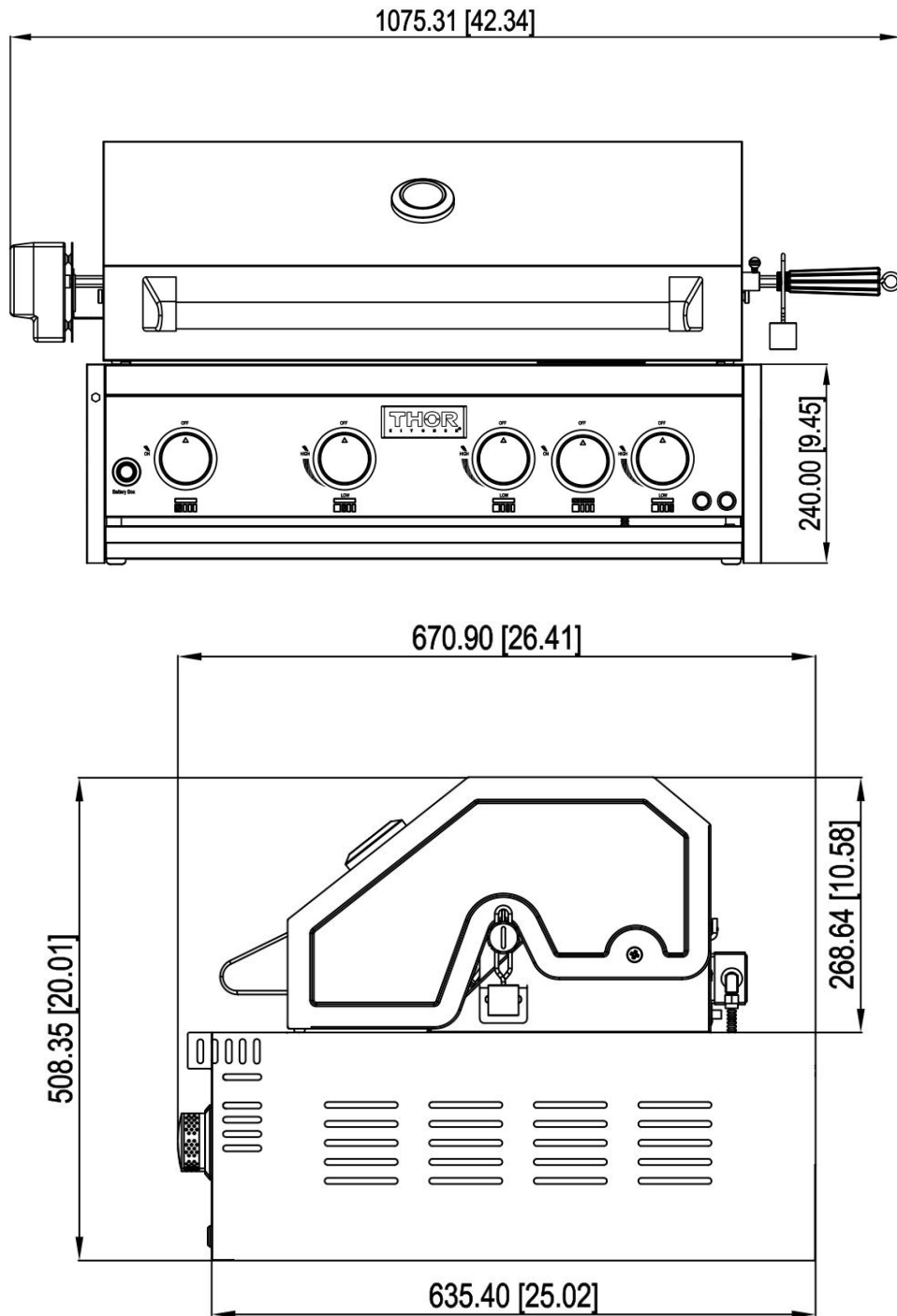
Explosive #	Part #	Part Name	Quantity
1	22.99.008092-000-A0	Grill Top Cover	1
2	05.99.008024-000-A0	Thermometer	1
3	08.01.008041-000-A0	logo	1
4	12.02.000070-000-A0	left handle holder	1
5	04.01.008107-000-A0	Light Cover	2
6	07.04.008001-000-A0	Light #1	1
7	13.99.008002-000-A0	Top warming rack	1
8	05.99.008011-000-A0	Rotisserie	1
9	22.99.009207-000-A0	Grill Cavity	1
10	06.07.008002-000-A1	Top cover rotary pin	2
11	07.14.008001-000-A0	Motor	1
12	04.01.008057-000-A0	Motor holder	1
13	04.03.008002-000-A1	Burner valve holding plate	1
14	22.99.009209-000-A0	Main manifold	1
15	07.07.008004-000-A0	5-point Spark Module	1
16	07.06.008003-000-A0	Main burner ignition harness	1
17	14.01.008001-000-A0	Main Burner Knob	5
18	11.01.008001-000-A0	corrugated pipe	1
19	05.07.008001-000-A0	Embedded joint	1
20	07.99.000266-000-A0	Gas regulator and gas pipe	1
21	07.02.008012-000-A0	Metal push button	2
22	07.06.008006-000-A0	Main burner knob light wiring	1
23	07.06.008002-000-A0	Main switch wiring	1
24	19.07.008002-000-A0	Grill control panel	1
25	05.09.008002-000-A0	match holder	1
26	07.06.008005-000-A0	Main burner power plug	1
27	07.14.008002-000-A0	American-standard transformer	1
28	20.01.008015-000-A2	Grease tray	1
29	13.02.008002-000-A0	Cooking rack	1
30	10.09.008009-000-A0	Main burner electrode	3
31	10.01.008002-000-A2	Tube burner	3
32	04.01.008058-000-A0	Rotisserie holder	1
33	10.04.008002-000-A0	Back broil burner corrugated pipe	1
34	10.09.008010-000-A0	Front broil burner electrode	1
35	10.10.008007-000-A0	Infrared broil burner	1

36	04.01.008051-000-A0	flame tamer	3
37	10.05.008002-000-A0	Back broil burner orifice - LP	1
38	20.01.008014-000-A1	flame transferring welding plate	2
39	10.09.008004-000-A0	Back broiler burner electrode	1
40	04.01.008060-000-A1	Back broiler burner protection cover	1
41	07.04.008002-000-A0	Light #2	1
42	10.99.008001-000-A0	Back broil burner	1
43	04.01.008053-000-A0	gas-collecting hood	1
44	10.99.008002-000-A0	Temperature rod	1
45	20.01.008086-000-A0	Clapboard welding part	1
46	20.01.008082-000-A0	Left side panel A welding assembly	1
47	20.01.008087-000-A0	beam welding assembly	1
48	04.01.008119-000-A0	LP tank supporting slide	2
49	20.01.008079-000-A0	tank bottom welding assembly	1
50	05.17.008003-000-A0	Snap bolt	1
51	05.14.008001-000-A0	Slideway	4
52	22.99.009199-000-A0	Drawer assembly	2
52.1	20.01.008051-000-A0	drawer front panel welding plate	2
52.2	04.01.008179-000-A0	drawer front panel lining	2
52.3	04.01.008180-000-A0	drawer middle plate	2
52.4	04.01.008181-000-A0	drawer bottom plate	2
53	22.99.009217-000-A0	Door assembly	1
54	04.01.002596-000-A1	Door barrier strip	1
55	05.01.008004-000-A0	Supporting leg	2
56	05.10.000122-000-A0	Fixed caster	2
57	05.10.000123-000-A0	Universal caster with Brake	2
58	05.13.008153-000-A0	Tank fixing rod	1
59	04.01.008117-000-A0	Tank bottom support	1
60	05.14.008012-000-A0	14" Sliders	4
61	20.01.008080-000-A0	Right side panel A welding assembly	1
62	06.08.008078-000-A0	Rubber gasket	4
63	20.01.008084-000-A0	Back panel A welding assembly	1
64	04.01.008183-000-A0	gas tank heat shield	1
65	04.01.008182-000-A0	Laminate board	1
66	05.03.008001-000-A0	Door Hinge	2

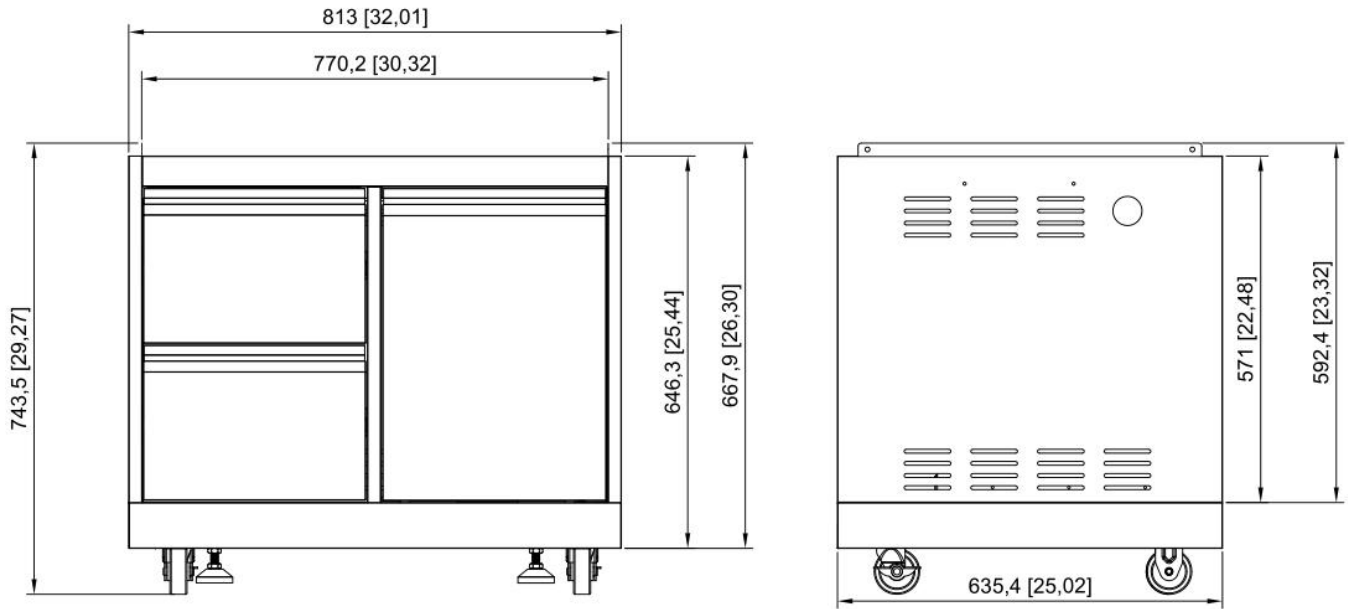
67	20.01.008083-000-A0	Left side panel B welding assembly	1
68	20.01.008085-000-A0	Back Panel B welding assembly	1
69	20.01.008081-000-A0	Right side panel B welding assembly	1
70	06.10.000022-000-A0	5/32" Philips thumb head screw	52
71	06.02.000093-000-A0	1/4"*14 Philips thumb head screw with anti-slip design	59
72	06.11.008056-000-A0	5/32" *8 flat head screw	12
73	09.01.008008-000-A0	front broil burner valve	1
74	09.04.008003-000-A0	back broil burner valve	1
75	09.01.008007-000-A0	main burner valve	3
76	12.01.008002-000-A0	Top cover handle	1
77	04.01.002580-000-A0	cabinet back connecting plate	2

## Product Dimension

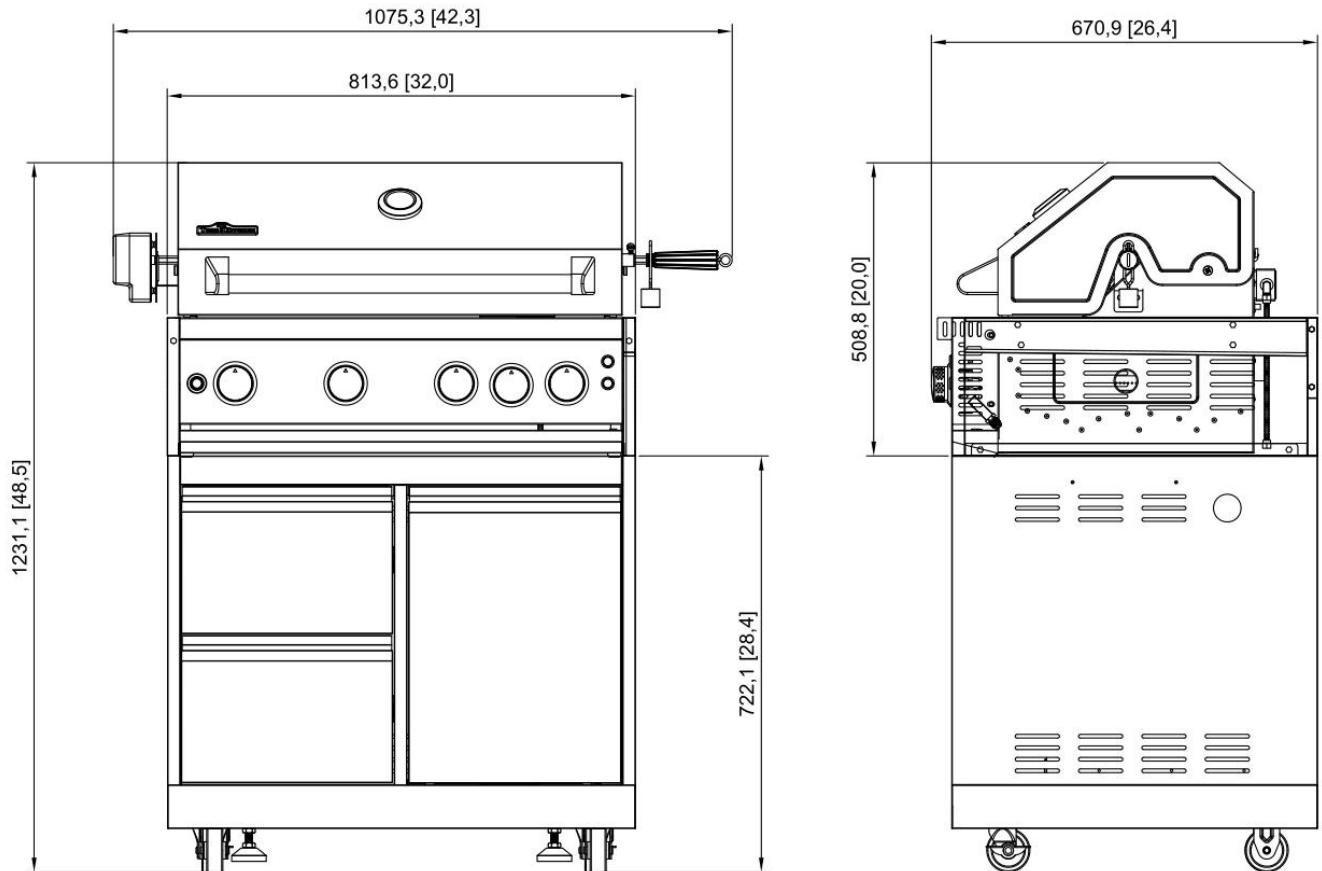
### MK04SS304 Thor Kitchen Outdoor BBQ Grill



### MK03SS304 for Outdoor Grill Cabinet



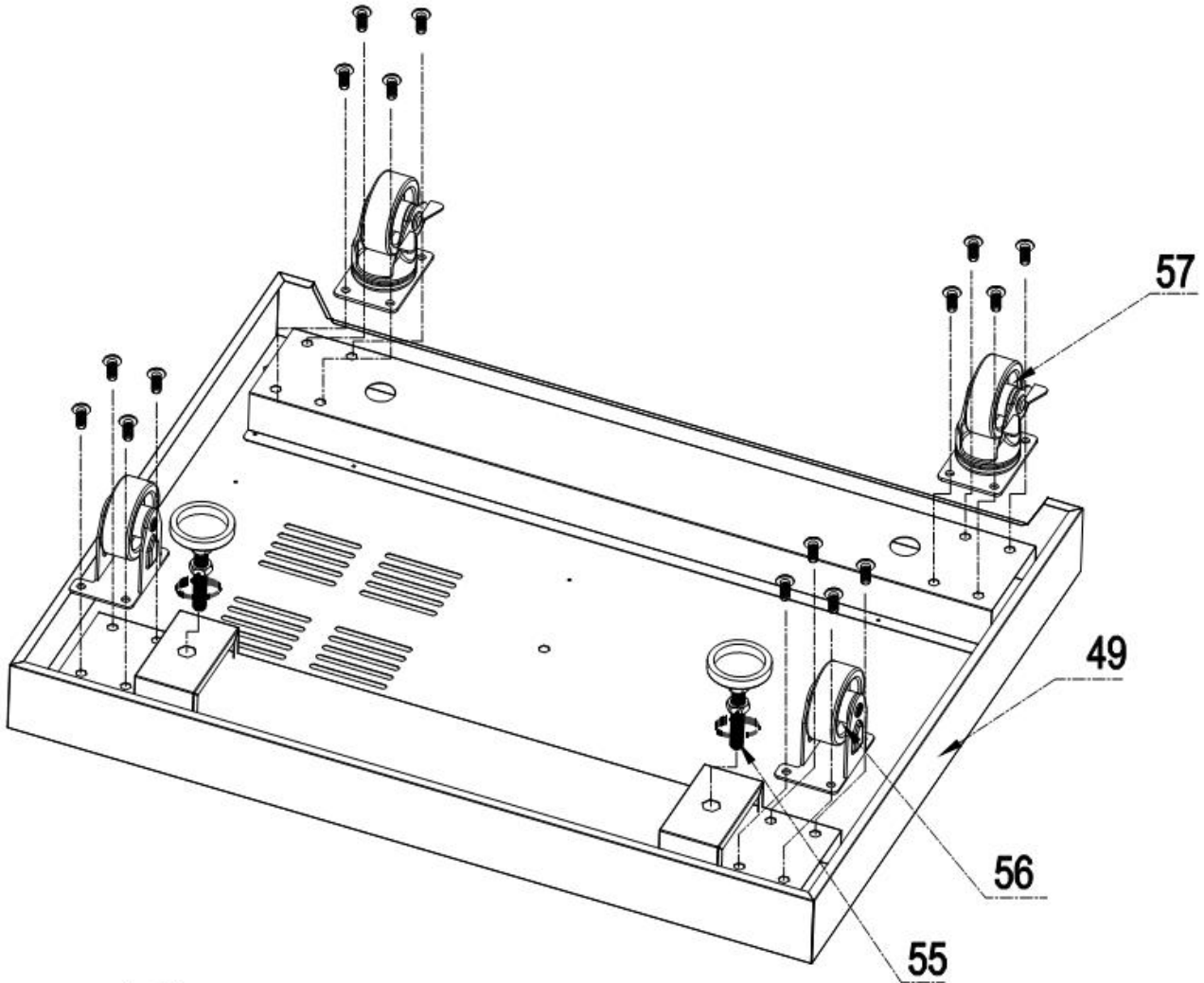
### Outdoor Grill + Cabinet



## Cabinet Installation

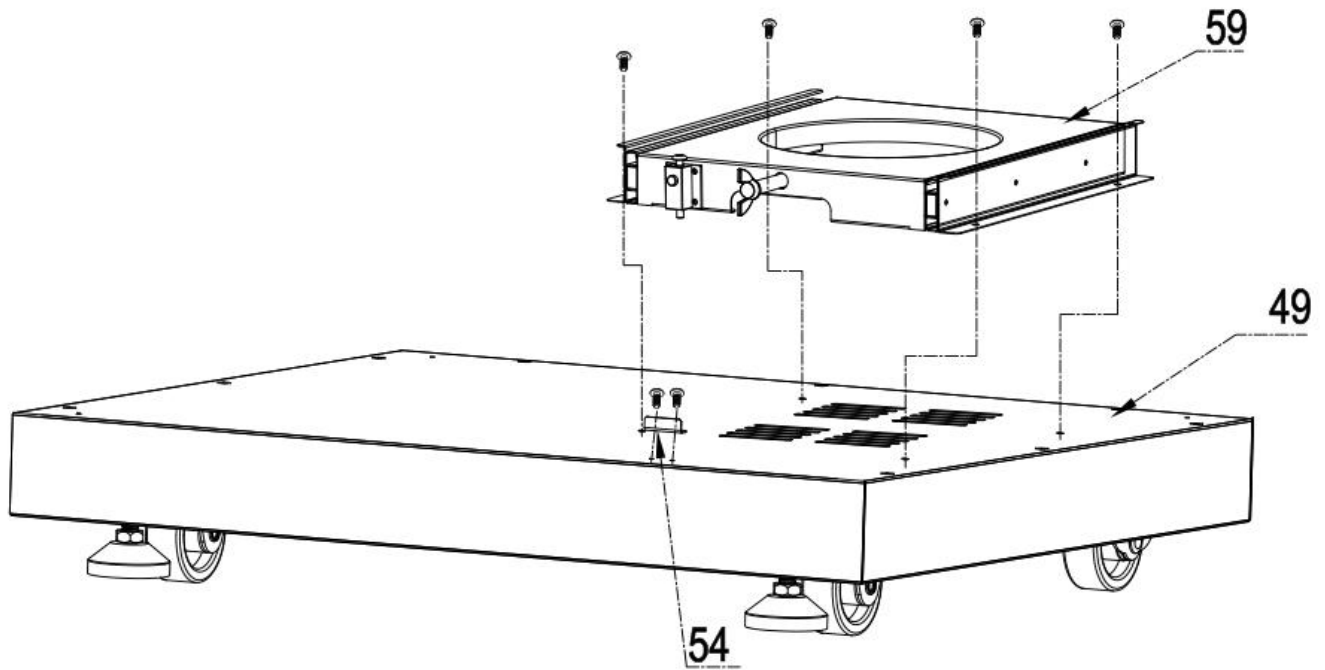
### Step 1

1. Flip the bottom base welding assembly (Part #49) so in order to install legs and casters
2. Use 16 pcs ¼" \*14 Philips thumb head screw with anti-slip design (Part #71) to install 2 pcs supporting legs (Part #55), 2 pcs fixed casters (Part #56) and 2 pcs universal casters with brake (Part #57)



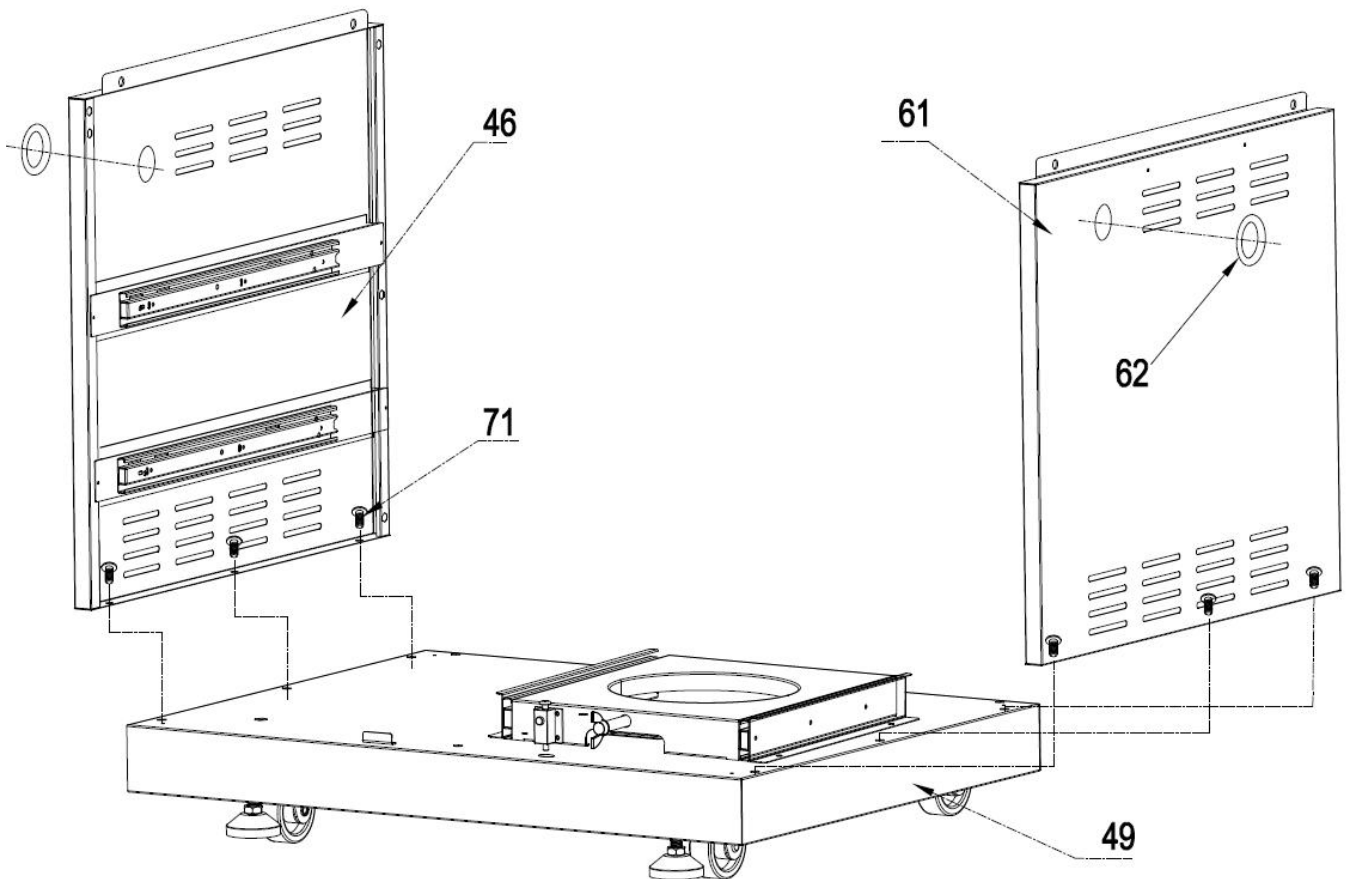
## Step 2

1. Flip back the bottom base after casters and legs are installed;
2. Use 4 pcs 5/32" \*8 flat head screw (Part # 72) to connect Tank bottom support (Part # 59) to bottom base welding assembly (Part # 49);
3. Use 2 pcs 5/32" \*8 flat head screw (Part # 72) to connect Door barrier strip (Part # 54) to bottom base welding assembly (Part #49);



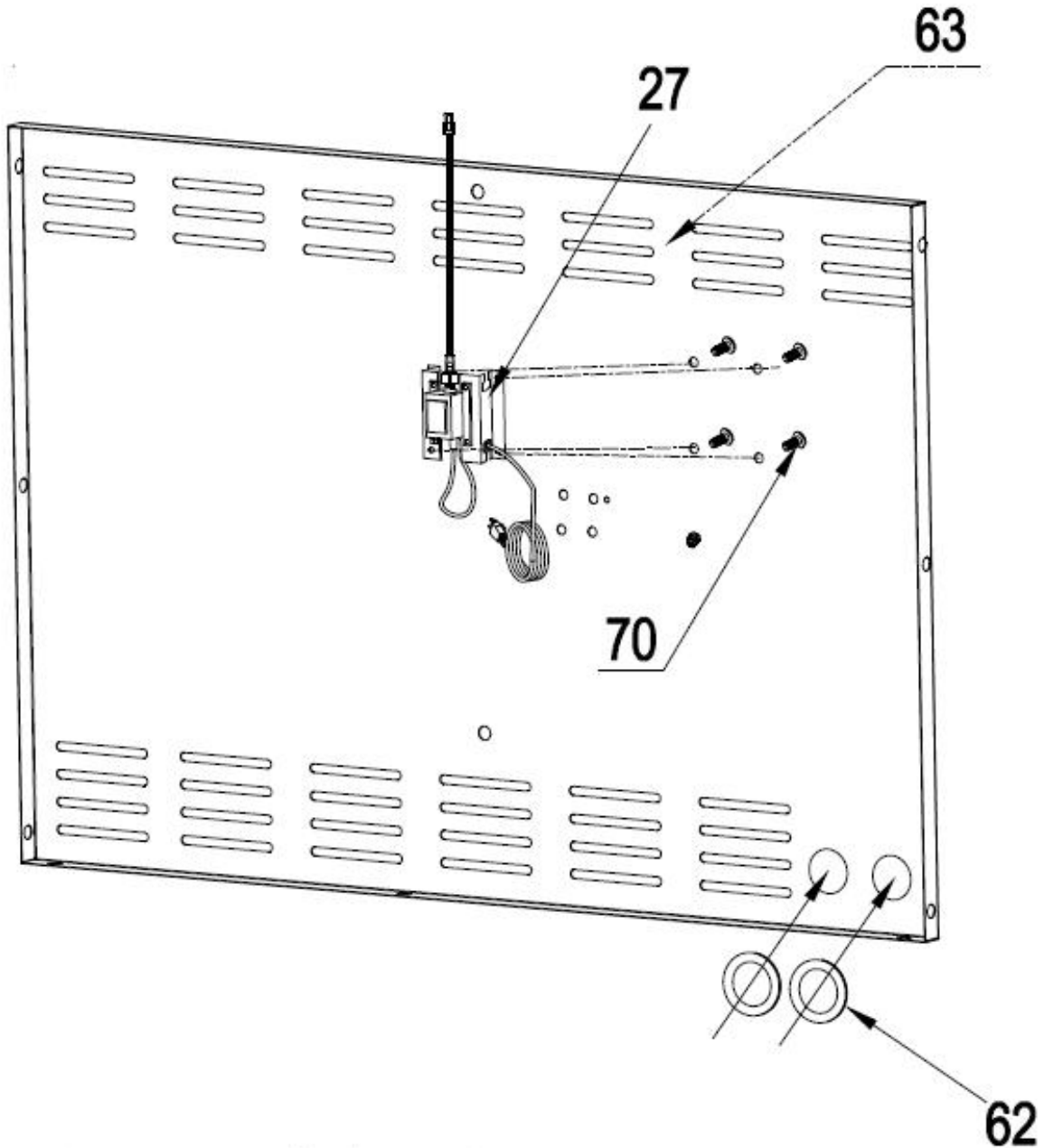
### Step 3

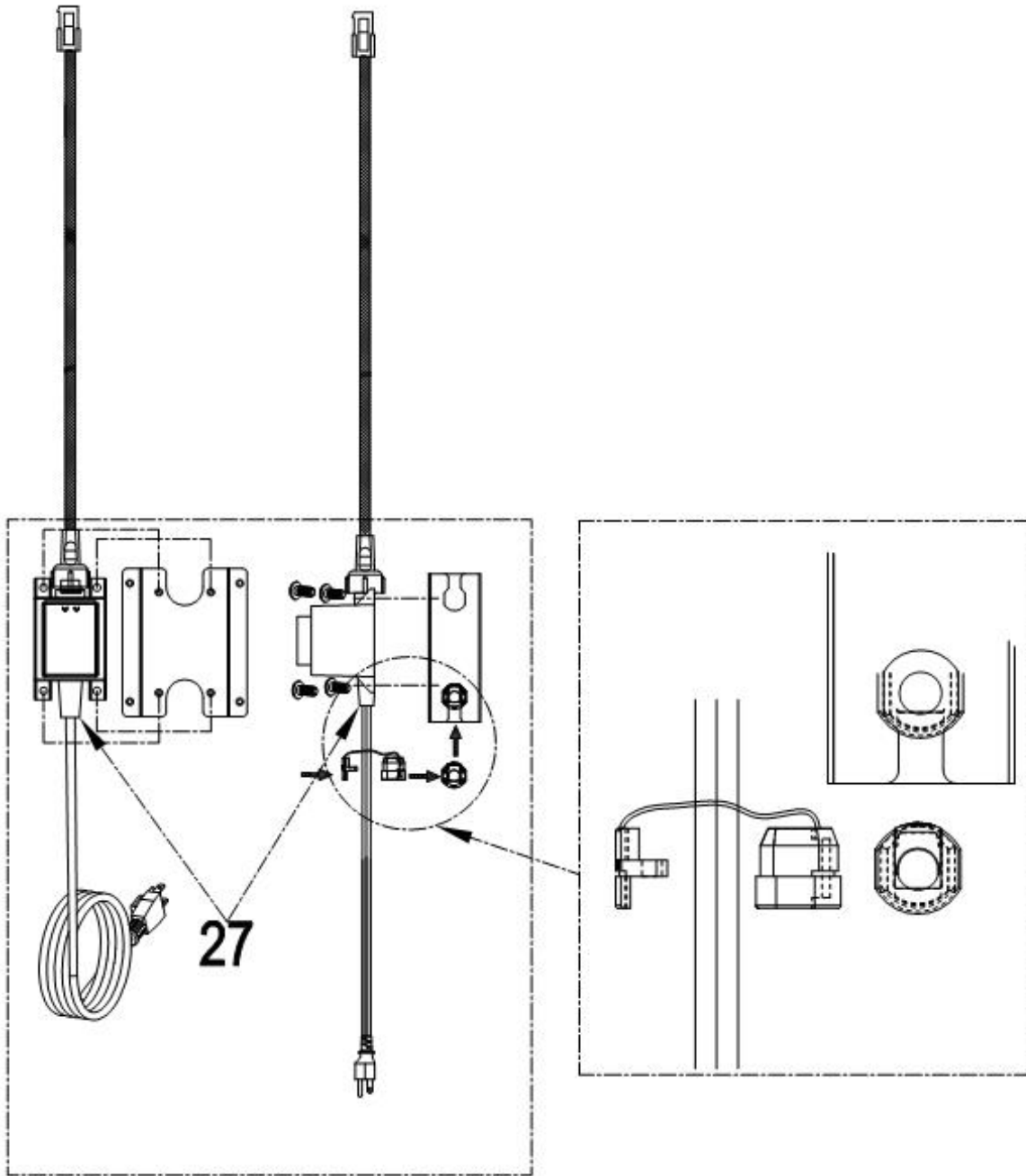
1. Use 6 pcs 1/4"\*14 Philips thumb head screw with anti-slip design (Part #71) to Left side panel A welding assembly (Part #46) and Right-side panel A welding assembly (Part # 61) to bottom base welding assembly (Part #49);
2. Attach 2 pcs Rubber gaskets to related position on Part #46 and Part #61;



#### Step 4

1. Use 4 pcs 5/32" \*8 flat head screw (Part # 72) to install American-standard transformer (Part # 27) on Back panel A welding assembly (Part # 63); Do not break the power plug on the bottom and the buckle on the top.
2. Attach 2 pcs Rubber gasket (Part # 62) to related position on Part # 63;

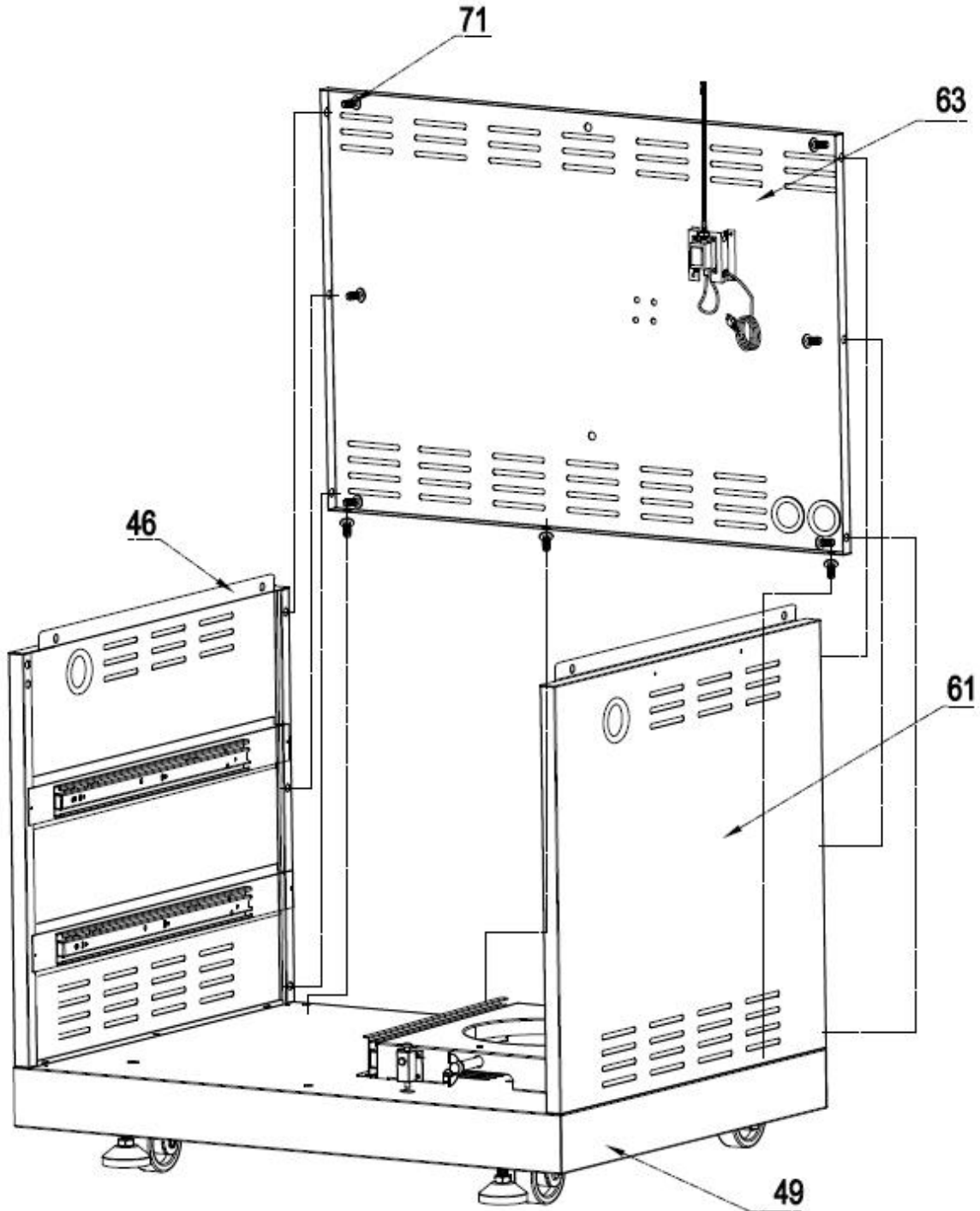




Layout of transformer installation

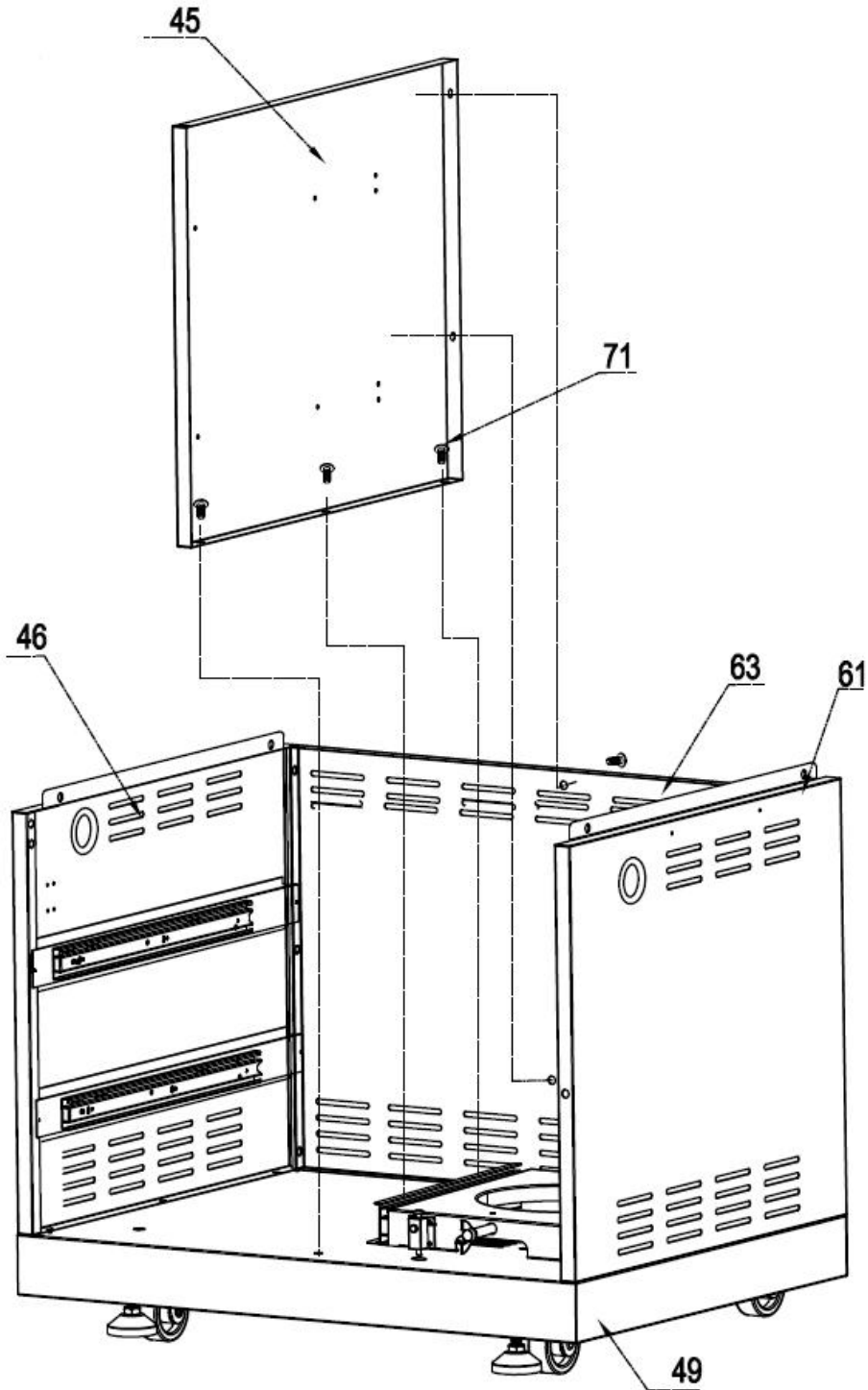
### Step 5

1. Use 3 pcs 1/4"\*14 Philips thumb head screw with anti-slip design (Part #71) to install Back panel A welding assembly (Part # 63) to bottom base welding assembly (Part # 49);
2. Use 3 pcs 1/4"\*14 Philips thumb head screw with anti-slip design (Part #71) to connect Back panel A welding assembly (Part # 63) with Part # 46 and # 61



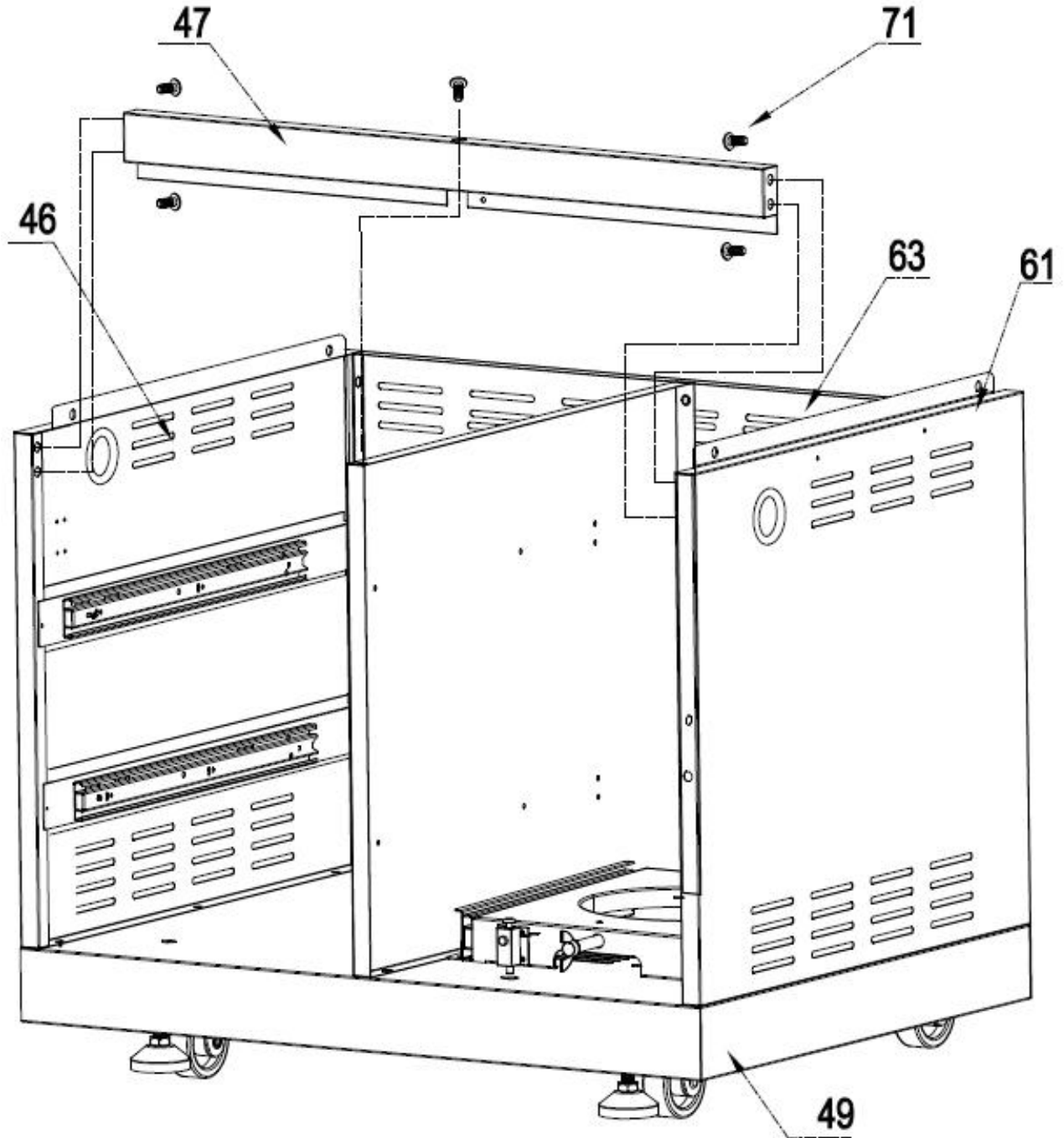
**Step 6**

1. Use 5 pcs 1/4"\*14 Philips thumb head screw with anti-slip design (Part #71) to connect Clapboard welding part (Part # 45) with Part #49 and #63;



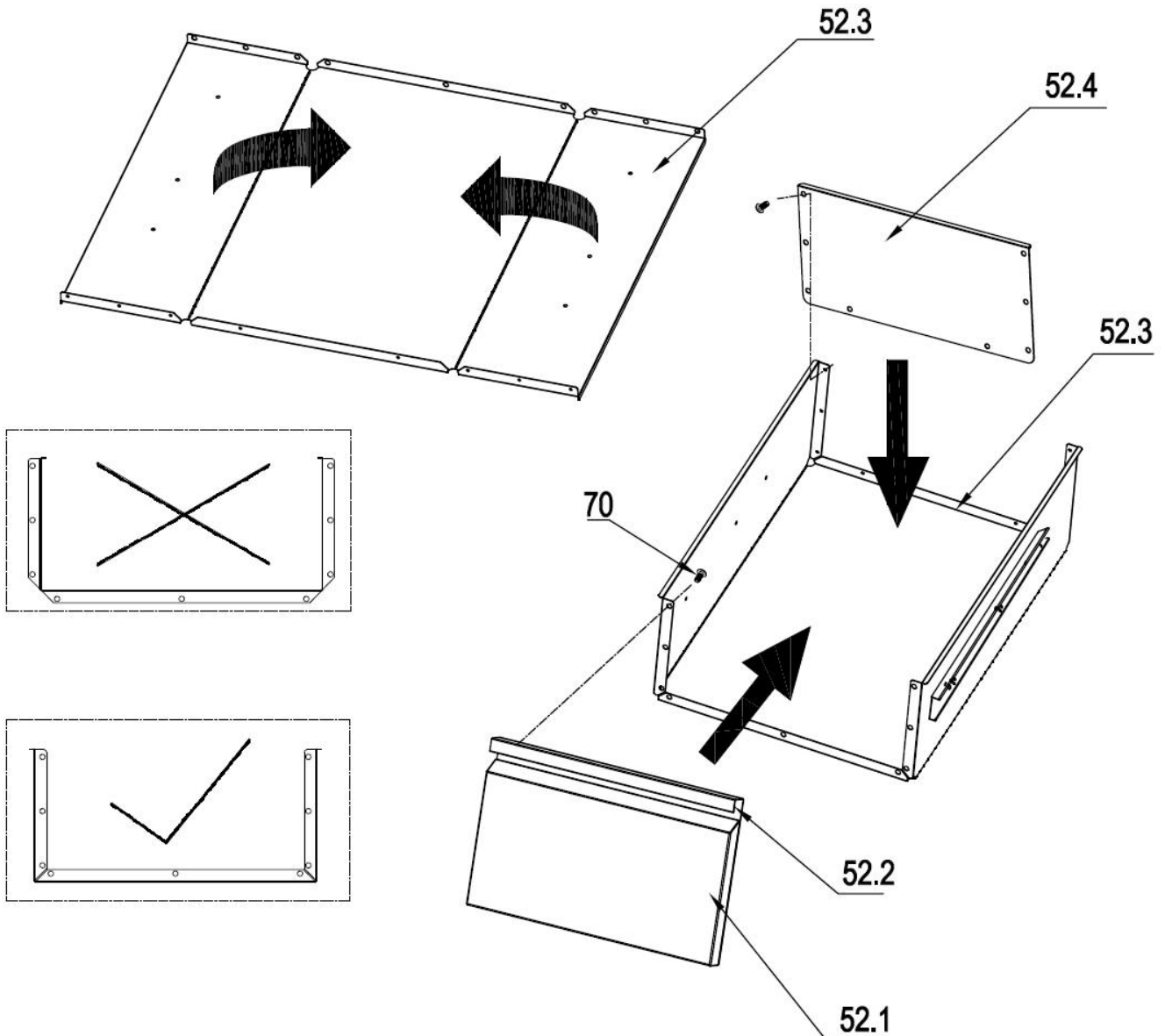
**Step 7**

1. Use 4 pcs 1/4"×14 Philips thumb head screw with anti-slip design (Part #71) to connect Beam welding assembly (Part # 47) with Part #46 and #61.



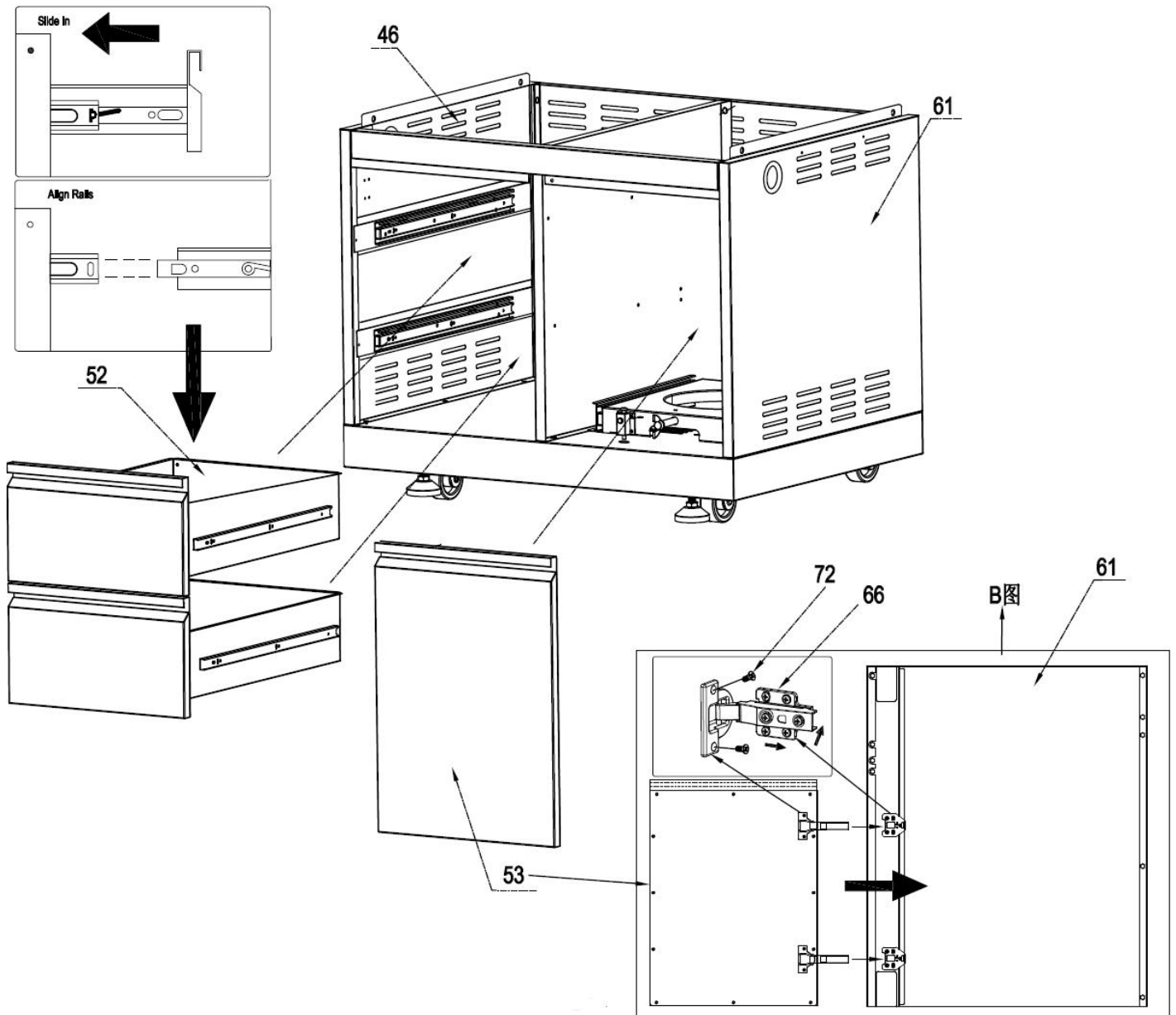
### Step 8

1. Check the edge of the middle plate of the drawer assembly (Part #52) and make sure the side with edge is facing up; otherwise you will get to wrong folding direction (see the picture below with wrong folding direction with "x"). Be careful with the folding process.
2. Use 8 pcs 5/32 flat Philip's screw heads (Part # 70) install the bottom plate of drawer assembly (Part# 52.4) to the middle plate (Part# 52.3)
3. Use 8 pcs 5/32 flat Philip's screw heads (Part # 70) install the front plate of drawer (Part# assembly to the middle plate (Part# 52.1 and 52.2)



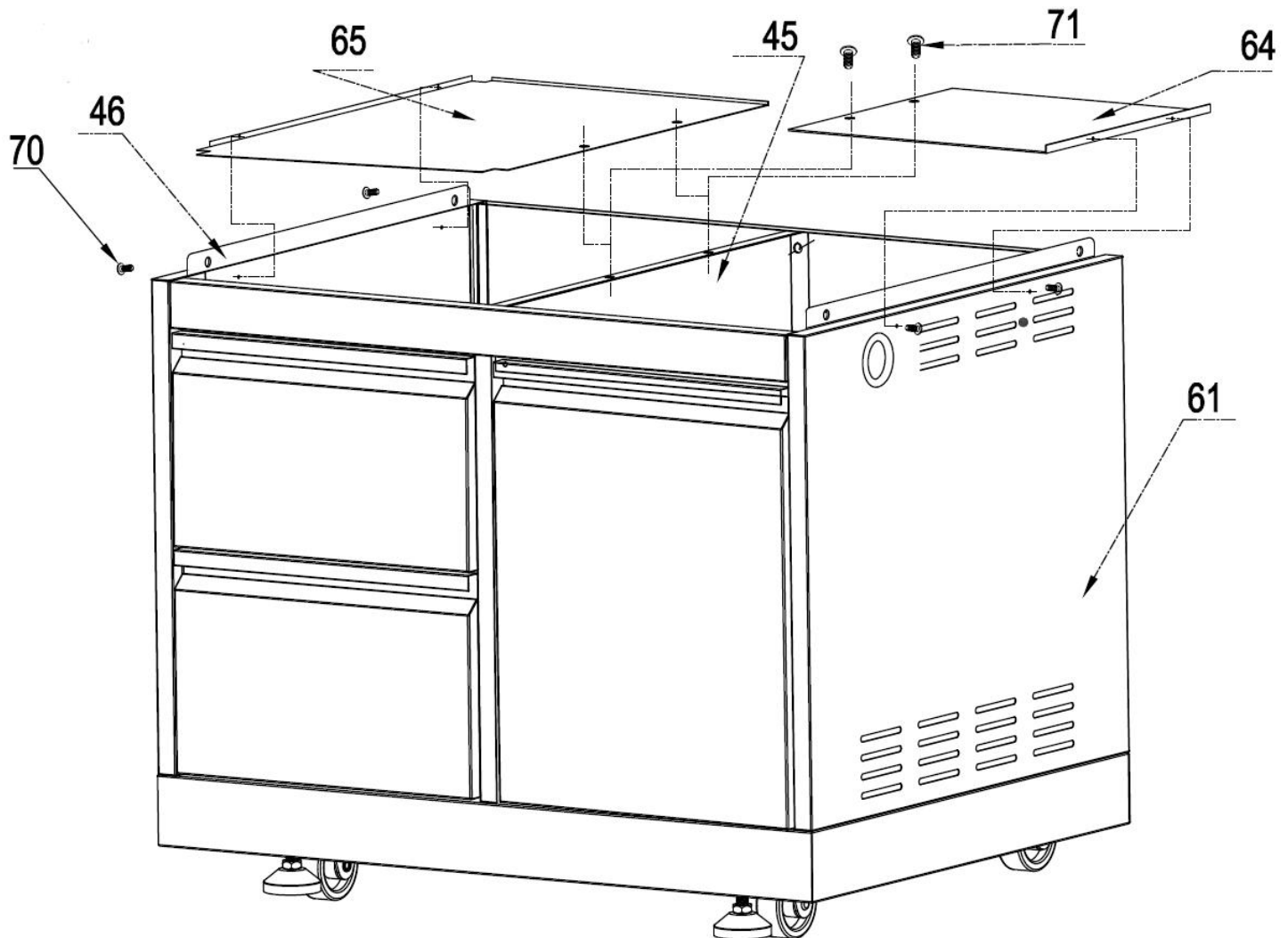
### Step 9

1. Insert 2 pcs drawer assemblies (Part #52) into cabinet body;
2. Divide the two parts from door hinge (Part #66) and use 5/32" \*8 flat head screw (Part #72) to install them to right side panel (Part #61) and cabinet door (Part #53)
3. Follow the requirement in the picture to install cabinet door (Part # 53)



**Step. 10**

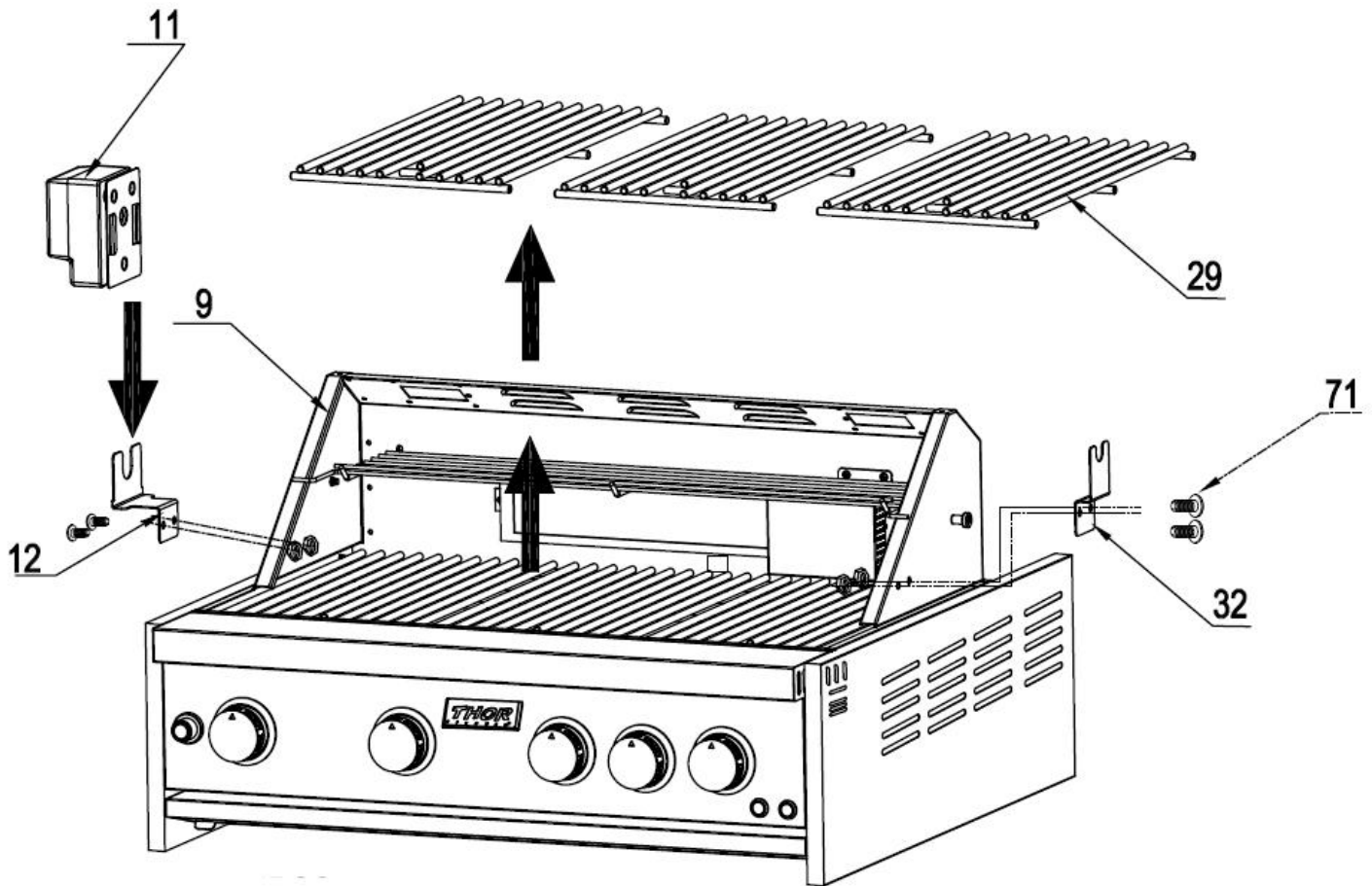
1. Use 2 pcs 5/32" \*8 flat head screw (Part # 72) to install laminate board (Part #65) to Left side panel A welding assembly (Part #46);
2. Use 2 pcs 5/32" \*8 flat head screw (Part # 72) to install gas tank heat shield (Part #64) to Right side panel A welding assembly (Part #61)
3. Use 2 pcs 1/4"\*14 Philips thumb head screw with anti-slip design (Part #71) to install Part #64 and Part #65 to Clapboard welding part (Part #45)



## Outdoor Grill Installation

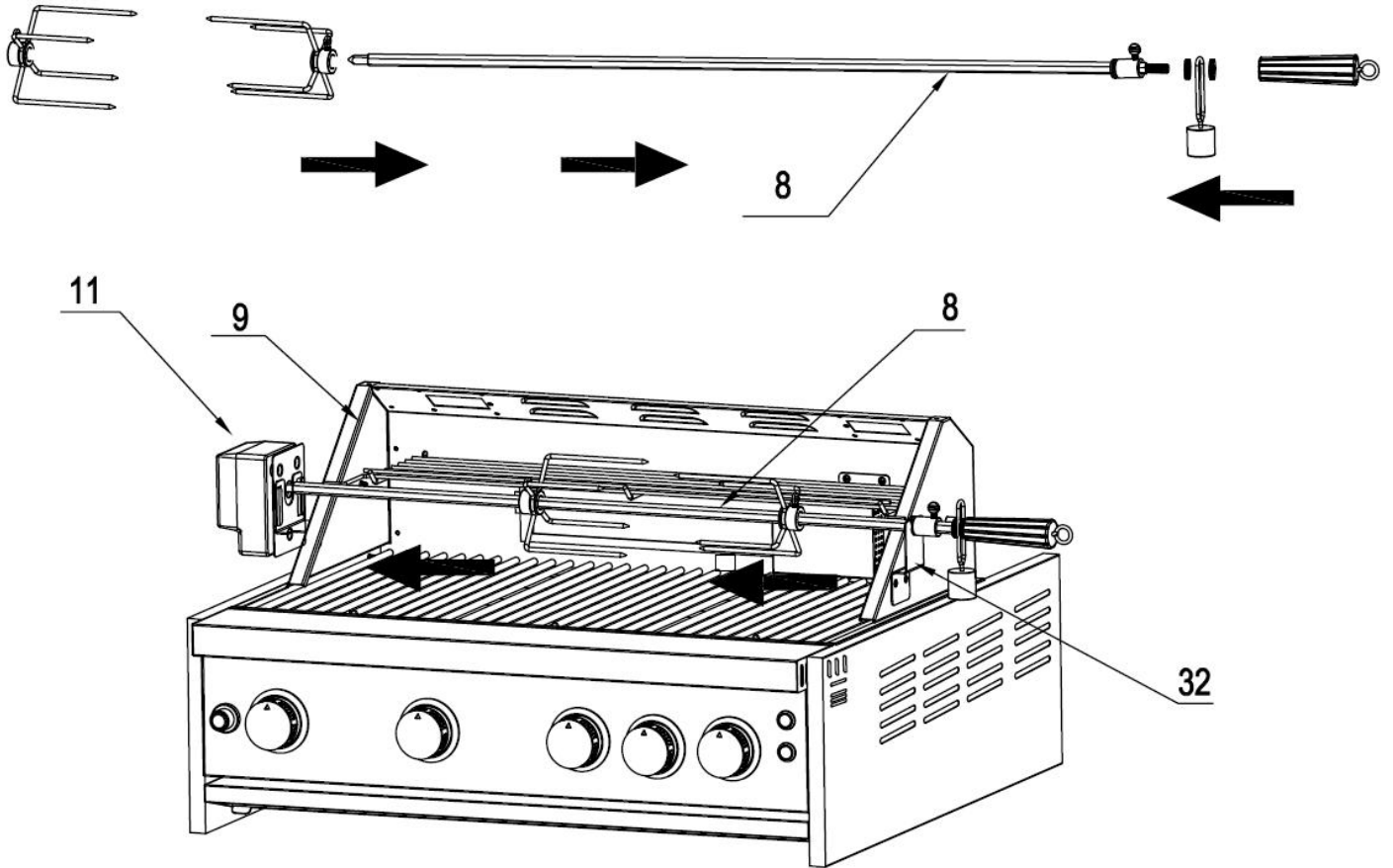
### Step 1

1. Open the Grill cover. Remove All 3 pcs cooking racks (Part # 29) for the main burners to avoid potential damage;
2. Use 2 pcs 1/4"\*14 Philips thumb head screw (Part #71) with anti-slip design (Part #71) to install motor holder (Part #12) to Grill cavity (Part #9);
3. Use 2 pcs 1/4"\*14 Philips thumb head screw (Part #71) to install Rotisserie holder (Part #32) to Grill cavity (Part #9);
4. Put Motor (Part #11) on top of motor support (Part #12) and put back 3 pcs cooking racks (Part #29)



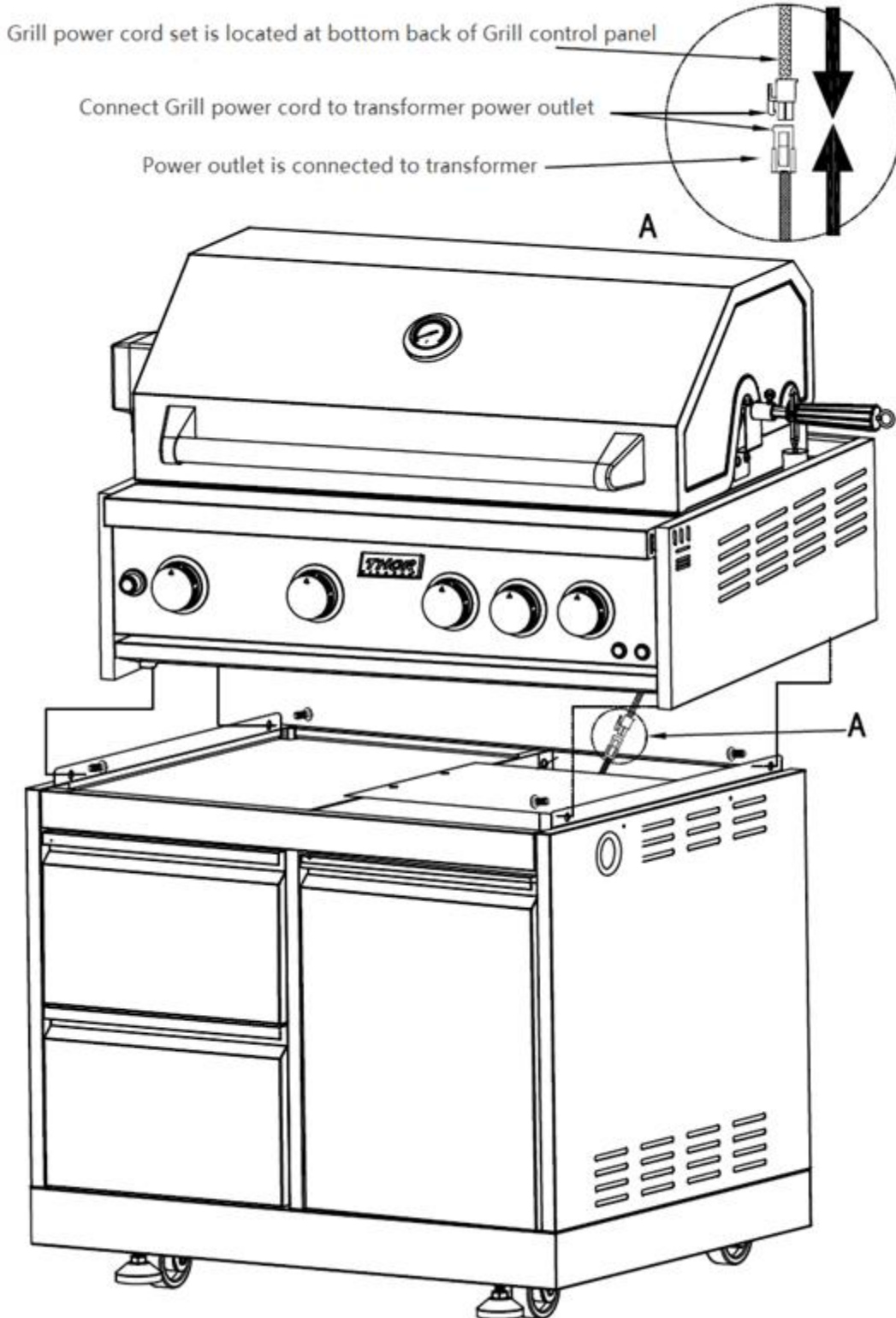
## Step 2

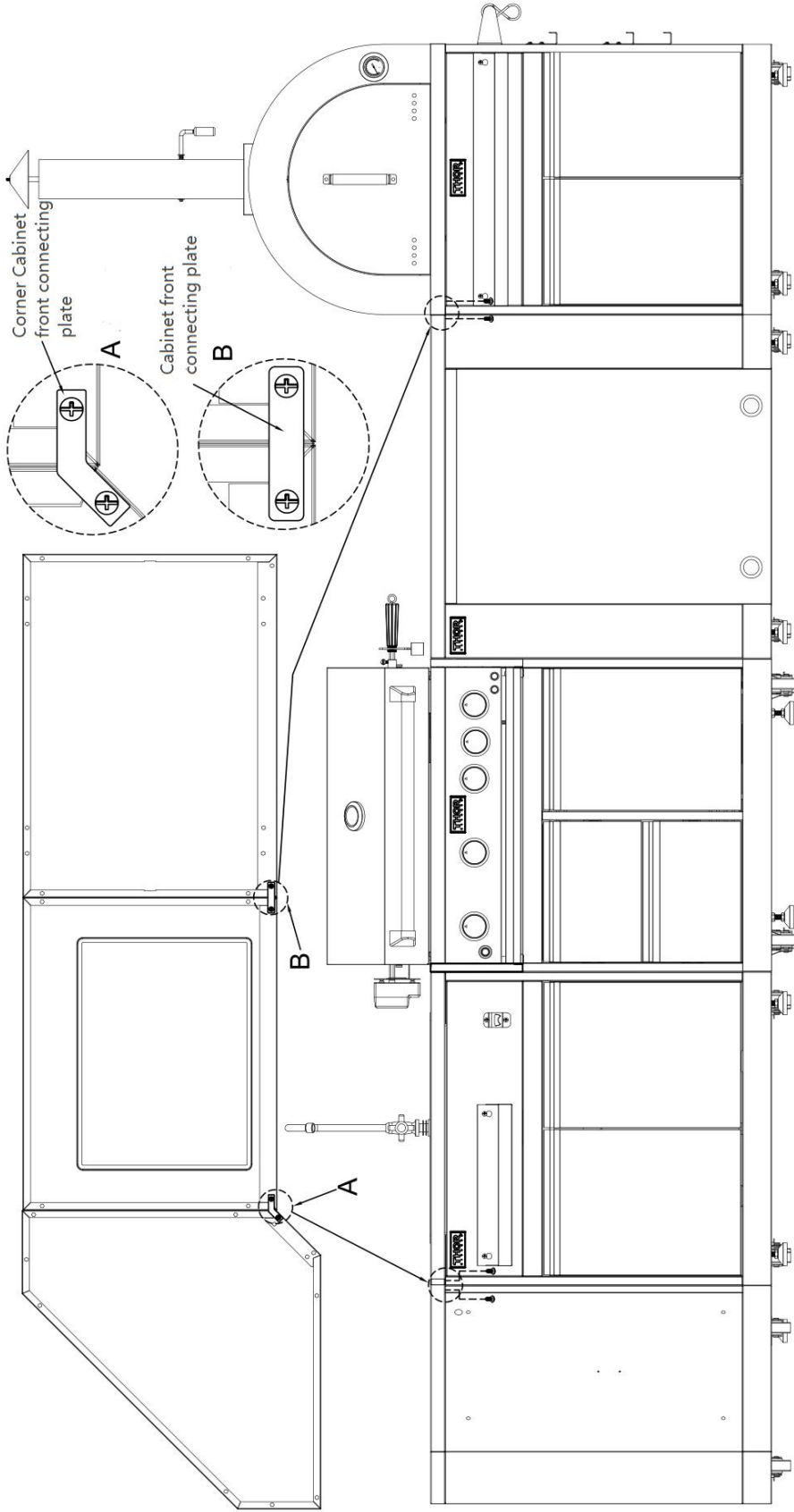
1. Put Motor (Part #11) on top of motor support (Part #12) and insert sharp side of Rotisserie (Part #8) to motor (Part #11), and the other side on top of Rotisserie holder (Part # 32)



### Step 3

1. Use 2 pcs 1/4"×14 Philips thumb head screw with anti-slip design (Part #71) to Connect Grill body with Cabinet body (For Gas Leak Test, please refer to Use Manual)



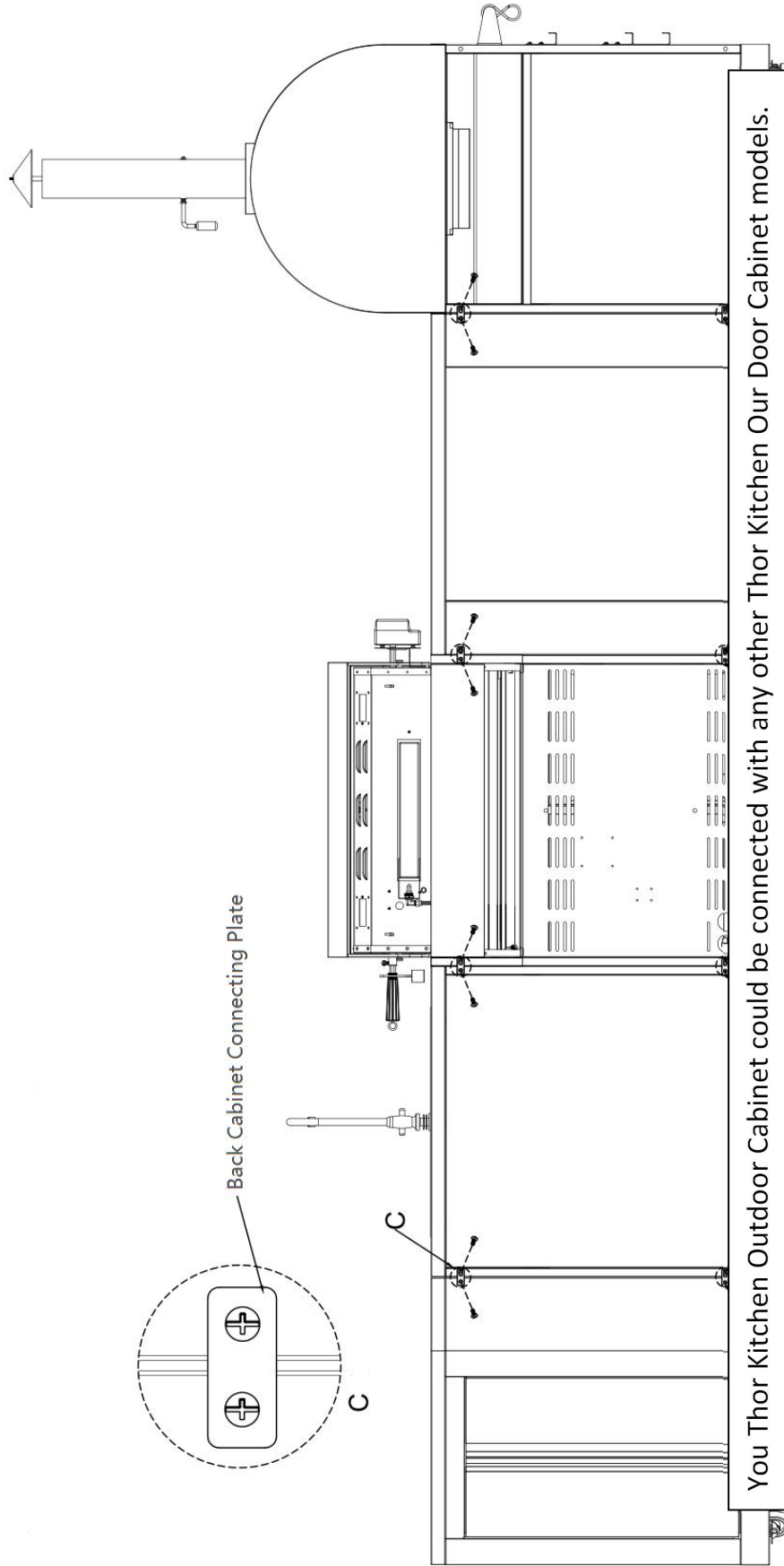


You Thor Kitchen Outdoor Cabinet could be connected with any other Thor Kitchen Our Door Cabinet models.

If you are having a Corner Cabinet and you would like to connect it to another cabinet, use corner cabinet connecting plate with 2 pcs ¼" screws (Part # 06.02.00093-000-A0) to connect both cabinets;

If you are having a Sink Cabinet, Appliance Cabinet or Pizza oven Cabinet, use cabinet connecting plate with 2 pcs ¼" screws to connect both cabinets.





You Thor Kitchen Outdoor Cabinet could be connected with any other Thor Kitchen Our Door Cabinet models. For Back Panel Connections, use Back Cabinet connecting plate with 2 pcs 1/4" screws to connect both Cabinets.