



WORX
it's your nature

Owner's manual

Worx Landroid Vision Cloud	EN
Worx Landroid Vision Cloud	F
Worx Landroid Vision Cloud	ES

Owner's manual	EN	P04
Manuel utilisateur	F	P17
Instrucciones de usuario	ES	P30

⚠ WARNING: Some dust created by power sanding, sawing, grinding, drilling and other construction activities contains chemicals known to the State of California to cause cancer, birth defects or other reproductive harm. Some examples of these chemicals are:

- Lead from lead-based paints;
- Crystalline silica from bricks and cement and other masonry products;
- Arsenic and chromium from chemically-treated lumber.

Your risk from these exposures varies, depending on how often you do this type of work. To reduce your exposure to these chemicals: work in a well ventilated area, and work with approved safety equipment, such as those dust masks that are specially designed to filter out microscopic particles.

⚠ WARNING: This product can expose you to chemicals including lead and Di(2-ethylhexyl) phthalate (DEHP) which are known to the State of California to cause cancer and birth defects or other reproductive harm. For more information go to www.P65Warnings.ca.gov.

⚠ WARNING: Read all safety warnings and all instructions. Failure to follow the warnings and instructions may result in electric shock, fire and/or serious injury.

Carefully read the instructions for the safe operation of the machine.

Save all warnings and instructions for future reference.

-This appliance is not intended for use by persons (including children) with reduced physical, sensory or mental capabilities, or lack of experience and knowledge, unless they have been given supervision or instruction concerning use of the appliance by a person responsible for their safety.

-Children should be supervised to ensure that they do not play with the appliance.

WARNING: For the purposes of recharging the battery, only use the detachable supply unit provided with this appliance.

WARNING: To reduce the risk of injury to persons and damage to the machine, do not remove battery pack before switching off the machine.

IMPORTANT

READ CAREFULLY BEFORE USE

KEEP FOR FUTURE REFERENCE

Safe operation practices

Training

- a) Read the instructions carefully. Make sure you understand the instructions and be familiar with the controls and the proper use of the appliance.
- b) Never allow people unfamiliar with these instructions or children to use the appliance. Local regulations can restrict the age of the operator.
- c) The operator or user is responsible for accidents or hazards occurring to other people or their property.

Preparation

- a) Ensure the correct installation of the automatic perimeter delineation system as instructed. This machine works without boundary wire or virtual boundary. It can automatically identify the working area and non-working area through the camera. Once the machine is turned on, the camera will automatically turn on and work at the same time. The machine recognizes that the lawn is the working area through the camera, and the non-working area that is not the lawn. When the machine walks to the boundary between lawn and non-lawn, it will automatically turn to return to the working area.
Add the Worx mapping accessory strip, or using water tubes to separate it from the neighbor's lawn.

- b) Periodically inspect the area where the appliance is to be used and remove all stones, sticks, wires, bones, and other foreign objects. Periodically inspect and clean the boundaries between grass and non-grass. Clearing boundaries helps the lawnmower to identify the working area.
- c) Periodically visually inspect to see that the blades, blade bolts and cutter assembly are not worn or damaged. Replace worn or damaged blades and bolts in sets to preserve balance.
- d) On multi-spindle appliances, take care as rotating one blade can cause other blades to rotate.
- e) **WARNING!** The lawnmower shall not be operated without the guard in place.

Operation

1. General

- a) Never operate the appliance with defective guards, or without safety devices, for example deflectors, in place.
- b) Do not put hands or feet near or under rotating parts. Keep clear of the discharge opening at all times.
- c) Never pick up or carry an appliance while the motor is running.
- d) Operate the disabling device from the appliance.
 - Before clearing a blockage;
 - Before checking, cleaning or working on the appliance.
- e) It is not permitted to modify the original design of robotic lawnmower. All modifications are made at your own risk.
- f) Start robotic lawnmower according to the instructions. When the power key is switched on, make sure you keep your hands and feet away from the rotating blades. Never put your hands and feet under the mower.
- g) Never lift up robotic lawnmower or carry it when the power key is switched on.
- h) Do not let persons who do not know how robotic lawnmower works and behaves use the mower.
- i) Do not put anything on top of robotic lawnmower or its charging station.
- j) Do not allow robotic lawnmower to be used with a defective blade disc or body. Neither should it be used with defective blades, screws, nuts or cables.
- k) Always switch off robotic lawnmower when you do not intend to use the mower. Robotic lawnmower can only start when the power key is switched on and the correct PIN code has been entered.
- l) Keep your hands and feet away from the rotating blades. Never place your hands or feet close to or under the body when robotic lawnmower is in operation.
- m) To avoid using the machine and its peripherals in bad weather conditions especially when there is a risk of lightning.
- n) Do not touch moving hazardous parts before these have come to a complete stop.
- o) For machines used in public areas, that warning signs shall be placed around the working area of the machine. They shall show the substance of the following text:
Warning! Automatic lawnmower! Keep away from the machine! Supervise children!

2. Additionally when the appliance is operating automatically

- a) Do not leave the machine to operate unattended if you know that there are pets, children or people in the vicinity.
- b) Please set the smart phone to automatically lock the screen after 30 s to prevent the app from being misused by others.

Maintenance and storage

⚠ WARNING! When the mower is turned upside down the power key must always be switched

off.

The power key should be switched off during all work on the mower's underframe, such as cleaning or replacing the blades.

- a) Keep all nuts, bolts and screws tight to be sure the appliance is in safe working condition.
- b) Inspect the robotic lawnmower each week and replace worn or damaged parts for safety.
- c) Check especially that the blades and blade disc are not damaged. Replace all blades and screws at the same time if necessary so that the rotating parts are balanced.
- d) Ensure that only replacement cutting means of the right type are used.
- e) Ensure that batteries are charged using the correct charger recommended by the manufacturer. Incorrect use may result in electric shock, overheating or leakage of corrosive liquid from the battery.
- f) In the event of leakage of electrolyte flush with water/neutralizing agent, seek medical help if it comes into contact with the eyes etc.
- g) Servicing of the appliance should be according to manufacturers' instructions.
- h) In order to obtain the best performance, please pay attention to the following ambient temperature range, do not charge, use, or store in the case of exceeding the following temperature range:
 - a) Charging temperature range: 32°F~104°F (0°C~40°C)
 - b) Discharge temperature range: -4°F~131°F (-20°C~55°C)
 - c) Storage temperature range: -4°F~167°F (-20°C~75°C)
- i) Leaking battery fluid can cause skin and eye irritation or chemical burns.
 - a) Avoid contact with skin and eyes.
 - b) If liquid gets in eyes: Do not rub. Flush open eyes with water for at least 15 minutes, and seek medical advice.
 - c) In case of accidental contact, wash the contact area immediately and thoroughly with mild soap and water.
 - d) Use an inert absorbent such as sand on spilled liquid.

Recommendation

To connect the machine and/or its peripherals only to a supply circuit protected by a residual current device (RCD) with a tripping current of not more than 30 mA.

Residual risks

To avoid injuries, wear protective gloves when replacing the blades.

Transport

The original packaging should be used when transporting robotic lawnmower over long distances.

To safely move form or within the working area:

- a) Press the STOP button to stop the mower.

You select the four-digit PIN code when you start the mower for the first time.
- b) Always switch off robotic lawnmower if you intend to carry the mower.
- c) Carry the mower by the handle at the front under the mower. Carry the mower with the blade disc away from the body.

Safety Warnings for battery pack

- a) **Do not dismantle, open or shred cells or battery pack.**
- b) **Do not expose battery pack to heat or fire. Avoid storage in direct sunlight.**
- c) **Do not short-circuit a battery pack. Do not store battery packs haphazardly in a box or drawer where they may short-circuit each other or be short-circuited by other metal objects.** When battery pack is not in use, keep it away from other metal objects, like paper

clips, coins, keys, nails, screws or other small metal objects, that can make a connection from one terminal to another. Shorting the battery terminals together may cause burns or fire.

- d) Do not subject battery pack to mechanical shock.**
- e) In the event of battery leaking, do not allow the liquid to come in contact with the skin or eyes. If contact has been made, wash the affected area with copious amounts of water and seek medical advice.**
- f) Do not use any battery pack which is not designed for use with the equipment.**
- g) Keep battery pack out of the reach of children.**
- h) Always purchase the battery pack recommended by the device manufacturer for the equipment.**
- i) Keep battery pack clean and dry.**
- j) Wipe the battery pack terminals with a clean dry cloth if they become dirty.**
- k) Battery pack needs to be charged before use. Always use the correct charger and refer to the manufacturer's instructions or equipment manual for proper charging instructions.**
- l) Do not leave battery pack on prolonged charge when not in use.**
- m) After extended periods of storage, it may be necessary to charge and discharge the battery pack several times to obtain maximum performance.**
- n) Recharge only with the charger specified by Worx. Do not use any charger other than that specifically provided for use with the equipment.**
- o) Retain the original product literature for future reference.**
- p) Use only the battery pack in the application for which it was intended.**
- q) Remove the battery pack from the equipment when not in use.**
- r) Dispose of properly.**
- s) Do not mix cells of different manufacture, capacity, size or type within a device.**
- t) Keep the battery away from microwaves and high pressure.**

User manual requirements for wireless product

- a) This device complies with part 15 of the FCC Rules. Operation is subject to the following two conditions:
 - (1) This device may not cause harmful interference, and
 - (2) this device must accept any interference received, including interference that may cause undesired operation.
- b) Caution: Changes or modifications to this unit not expressly approved by the party responsible for compliance could void the user's authority to operate the equipment.
- c) This device contains licence-exempt transmitter(s)/receiver(s) that comply with Innovation, Science and Economic Development Canada's licence-exempt RSS(s). Operation is subject to the following two conditions:
 - (1) This device may not cause interference.
 - (2) This device must accept any interference received, including interference that may cause undesired operation of the device.
- d) NOTE: This equipment has been tested and found to comply with the limits for a Class B digital device, pursuant to part 15 of the FCC Rules. These limits are designed to provide reasonable protection against harmful interference in a residential installation. This equipment generates, uses and can radiate radio frequency energy and, if not installed and used in accordance with the instructions, may cause harmful interference to radio communications. However, there is no guarantee that interference will not occur in a particular installation. If this equipment does cause harmful interference to radio or television reception, which can be determined by turning the equipment off and on, the user is encouraged to try to correct the interference by one or more of the following measures:
 - Reorient or relocate the receiving antenna.

- Increase the separation between the equipment and receiver.
- Connect the equipment into an outlet on a circuit different from that to which the receiver is connected.
- Consult the dealer or an experienced radio/TV technician for help.

For mobile device

- a) To satisfy FCC &ISED RF exposure requirements, a separation distance of 20 cm or more should be maintained between the antenna of this device and persons during device operation
- b) To ensure compliance, operations at closer than this distance is not recommended

Region Selection (for Wi-Fi 2.4G device)

Limited by local law regulations, version for North America does not have region selection option.

Network Interface Description

The following network interfaces are enabled by default when the device is powered on:

• Bluetooth

Enables pairing and binding between the device and the mobile app. Supports Wi-Fi configuration via the app. During the mapping process, Bluetooth also allows for device control and management.

• Wi-Fi

Connects the device to the home wireless network for data communication with the cloud server. Supports remote monitoring, control, and parameter configuration via the app. Also enables OTA (Over-The-Air) firmware updates to ensure timely software optimization.

• 4G Cellular Network

Provides connectivity to the cloud server in the absence of Wi-Fi, ensuring continuous communication between the device and the app for remote interaction, data synchronization, and control.

• RadioLink

Connects to the compatible charging station to receive high-precision RTK positioning data. Enables centimeter-level positioning accuracy, enhancing navigation stability and operational precision.

When using the product, users need to install the battery first, so the FCC ID is accessible when using the product.

INFORMATION ON THE MOWER



WARNING – robotic lawnmower can be dangerous if incorrectly used. Read through the Operator’s manual carefully and understand the content before using your robotic lawnmower.



WARNING - Keep a safe distance from the machine when operating.



WARNING – Activate the disabling device before working on or lifting the machine.



WARNING - Do not ride on the machine.



Li-Ion battery, battery must be recycled.



Do not burn



Batteries may enter water cycle if disposed improperly, which can be hazardous for ecosystem. Do not dispose of waste batteries as unsorted municipal waste.



Do not disassemble mower. Repairs should be made only by authorized repair personnel.



Class III appliance



Read operator’s manual

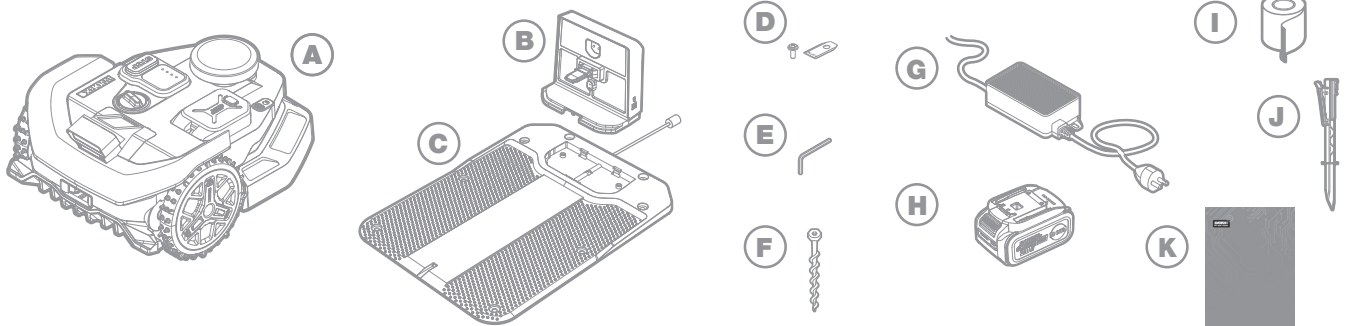


call2recycle®

POSITEC Inc. has established a partnership with the RBRC Corporation to recycle any Positec batteries with the RBRC-call2recycle seal. For environmental protection, please do not discard batteries in the trash. After the batteries' life cycle is ended, then please call 1-800-822-8837 for a free service that will properly dispose of the battery.

You can customize your mower’s performance with accessories. Visit www.worx.com/lawn-garden/robotic-lawn-mowers.html to learn more about these available accessory options.

WHAT’S IN THE BOX

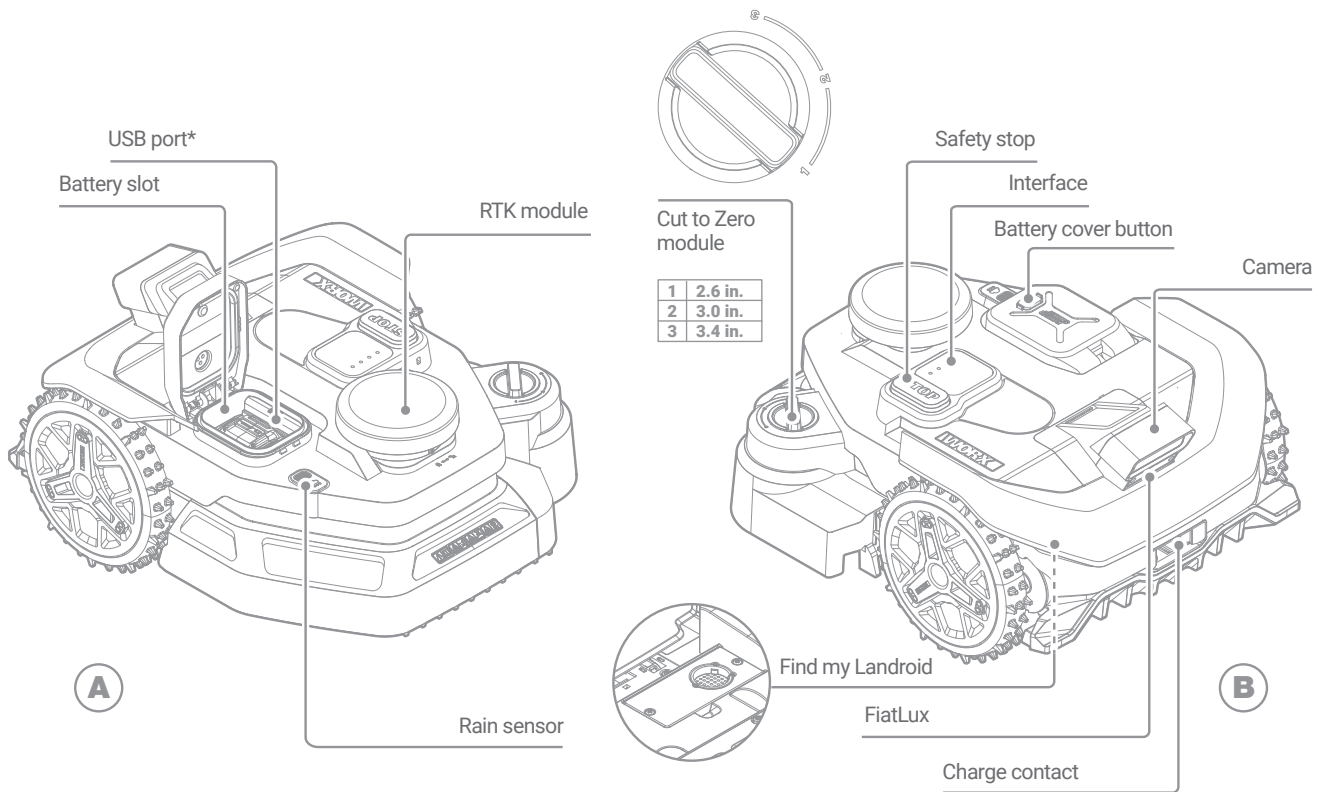


- A Robotic lawnmower
- B Charging tower
- C Charging base plate
- D Spare blades kits
- E Hex key
- F Lawn screws

- G Power supply
- H 20V battery
- I No-Go Line
- J Lawn stakes
- K Manuals



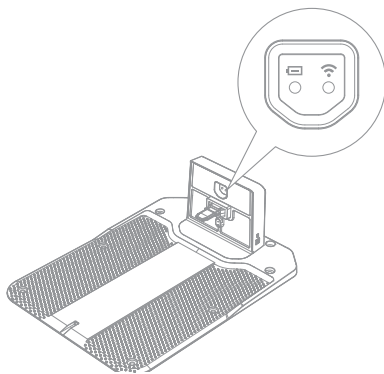
GETTING TO KNOW THE MOWER



*USB port: Used for exporting log files and performing manual firmware upgrades.

The picture is only for reference

GETTING TO KNOW POWER SUPPLY



Icon	Type	Function Description
	Green	Solid: Charging function normal
		Breathing: Charging in progress
	Red	Solid: Charging fault
		Flashing: Battery polarity short-circuit fault
	Off	No power supply.
	Green	It's working normally.
	Blue	It's working abnormally. Please refer to the Troubleshooting section or contact Customer Service for further assistance.

TECHNICAL DATA

	WR340
Rated voltage	20V Max.*
No load speed	2400 /min
Cutting area	1 acre (4000 m ²)
Cutting diameter	8.7 in (22 cm)
Cutting height	1.57-1.97-2.36-2.76-3.15-3.54 in (40-50-60-70-80-90 mm)
Cutting system	3 blades
Cutting height adjustment method	Electric
Cut to Zero	Y
Cutting height of the Cut to Zero	1-2-3 2.6-3.0-3.4 in (65-75-85 mm)
Camera	Stereo
Slope	30% (17°)**
Battery type	Lithium-ion
Battery Capacity	5 Ah
Battery model	WA3675
Charging time approx.	60 mins.
Charger model	WA3805
Charger rating	Input: 120 V~60 Hz, 190W, Output: 28 V , 5.0 A
Machinery weight	30.9 lb (14 kg)
Protection degree	III
App (Wi-Fi/Bluetooth)	Y
Frequency bands for Bluetooth	2400-2483.5 MHz
Maximum Transmitted Power for Bluetooth	8 dBm
Frequency bands for Wi-Fi	2412-2462 MHz
Maximum Transmitted Power for Wi-Fi	30 dBm
Waterproof level	IPX 6

*Voltage is measured under no-load condition. The initial maximum battery voltage can reach 20 volts, while the nominal voltage is 18 volts.

**If the mower is equipped with the Cut to Zero module, it is not recommended to operate the mower on slopes greater than 15°.

TECHNICAL DATA FOR 4G-GNSS

Global Navigation Satellite System (GNSS)	GPS / GLONASS / BDS / Galileo / SBAS
Nominal Frequency	1559-1610 MHz 1215-1300 MHz 1164-1215 MHz

TECHNICAL DATA FOR 4G

Band	Tx(Mhz)	Rx(Mhz)	RF Output Power (Max)
GSM900(B8)	880-915	925-960	33dBm
DCS1800(B3)	1710-1785	1805-1880	30dBm
WCDMA B1	1920-1980	2110-2170	24dBm
WCDMA B8	880-915	925-960	24dBm
WCDMA Band V	824-849	869-894	24dBm
LTE-FDD B1	1920-1980	2110-2170	23dBm
LTE-FDD B3	1710-1785	1805-1880	23dBm
LTE-FDD B7	2500-2570	2620-2690	23dBm
LTE-FDD B8	880-915	925-960	23dBm
LTE-FDD B20	832-862	791-821	23dBm
LTE-FDD B28	703-748	758-803	23dBm
LTE-TDD B38	2570-2620	2570-2620	23dBm
LTE-TDD B40	2300-2400	2300-2400	23dBm
LTE Band 3	1710-1785	1805-1880	23dBm
LTE Band 41	2535-2675	2535-2675	23dBm

ACCESSORIES

	WR340
Lawn screws	8
Charging tower	1
Charging base plate	1
Hex key	1
Blade	8
No-Go Line	6 m
Lawn stakes	10
Cut to Zero module	1
FiatLux	1
Battery pack (WA3675)	1
Charger (WA3805)	1

We recommend that you purchase genuine accessories listed in the above list from the same store where you purchased the tool. Refer to the accessory packaging for further details. Store personnel can assist you and offer advice.

INTENDED USE

The garden product is intended for domestic lawn mowing. It is designed to mow often, maintaining a healthier and better looking lawn than ever before. Depending on the size of your lawn, your mower may be programmed to operate at any time or frequency. It is not intended for digging, sweeping or snow clearing.

MAINTENANCE

Your mower works hard and needs to be cleaned and checked from time to time. This section of our guide helps you keep your mower in good shape so it can last for years without trouble. Here's how to take care of your mower. Switch off the mower before carrying out any service or maintenance.

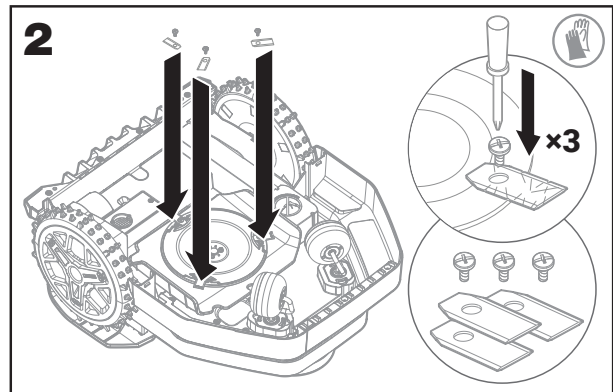
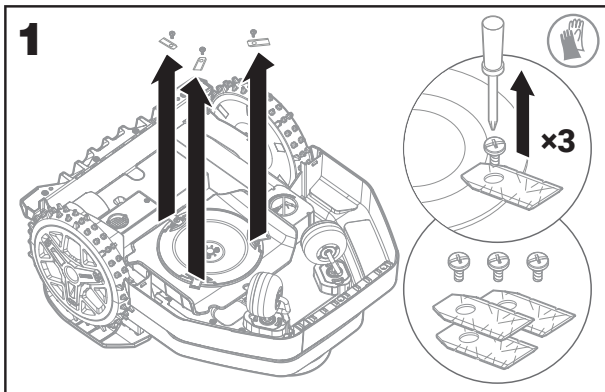
1. Keep it sharp

⚠ WARNING! Before cleaning, adjusting, or replacing the blades, turn your mower OFF and remove the battery. Always wear protective gloves.

Replacing the Blades (See Fig. 1 - 2)

Remove the battery and gently flip the mower over. Take the screws off the blades with a screwdriver. Firmly screw on the new blades.

Caution: If the Cut to Zero blade assembly needs to be replaced, follow the same replacement procedure as for the main unit blade. If you need to replace the blade located on the inner side near the protective cover, simply rotate the blade disc to turn the inner blade outward for removal. Always wear protective gloves and take appropriate safety precautions to avoid injury.



⚠ Attention: When fitting new blades, make sure you replace ALL the blades.

Always use new screws when fitting blades. This is important to ensure blade retention and balance the blade turning disc. Failure to use new screws could cause serious injury.

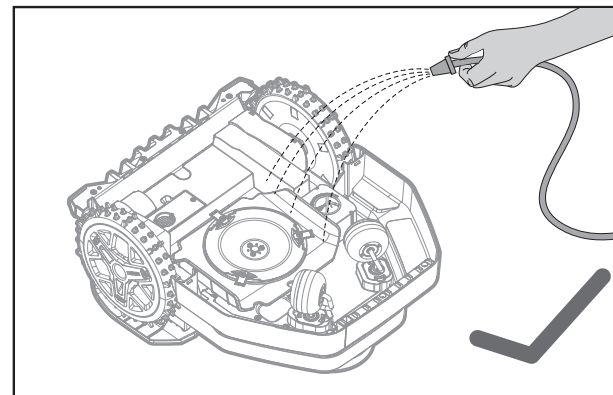
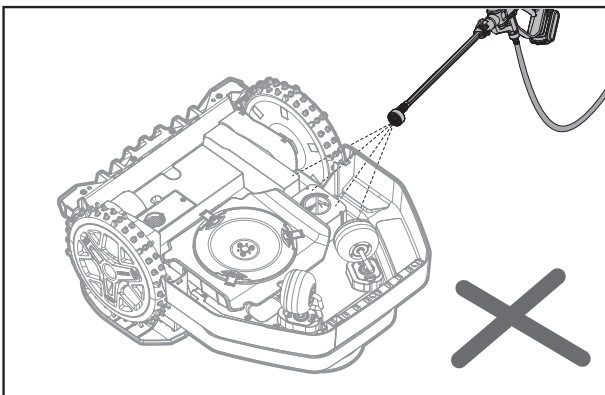
Important: After screwing the blade to the blade disc, make sure the blade is able to spin freely.

2. Keep it clean

Your mower should be cleaned regularly. This helps keep it in good condition, especially removing dirt, debris and the build-up of grass clippings from daily mowing. Turn your mower off before cleaning it. For extra safety, remove the battery.

⚠ Attention: Make sure the battery pack cover is closed when washing your mower.

⚠ WARNING! YOUR MOWER can only be washed by using a hose! DO NOT use high pressure washer on your mower. High pressure water can go inside the sealings and damage electronic and mechanical parts.



3. Keep it charged

The heart of the mower is its 20V Li-Ion Worx PowerShare Battery.

A. For the proper storage of the battery, make sure it is fully charged and kept in a cool dry place.

B. The recommended mower operation temperature is between 0-55°C.

C. The life-span of the mower's battery depends on hours of usage and the length of use per day during the mowing season.

4. Keep it updated

The mower is always improving and new firmware versions are available for free. Always keep the mower's firmware up to date to make the most of your mower.

4.1 Check the current firmware version of the mower in the app:

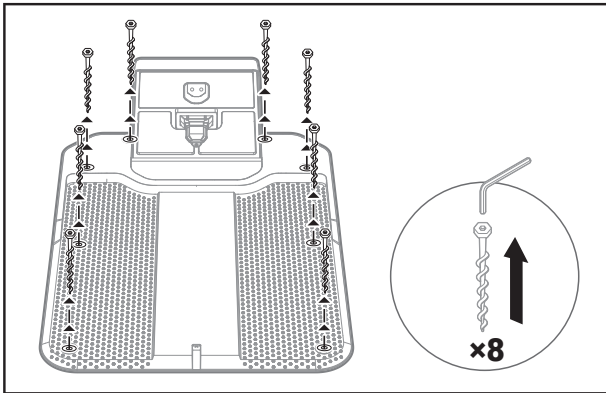
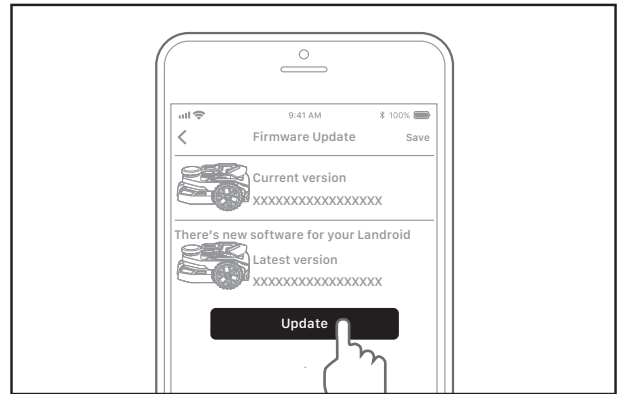
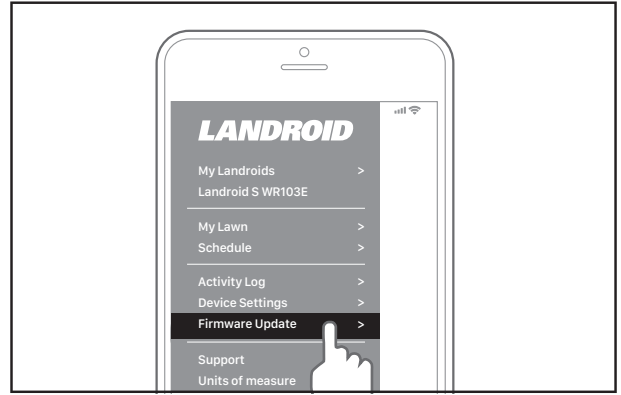
- A. Tap the sidebar icon in the top left corner.
- B. Select "Firmware Update."
- C. The screen will display "Current Version." The small grey text below indicates the firmware version currently installed.

4.2 Update the mower's firmware via the app:

- A. Tap the sidebar icon in the top left corner.
- B. Select "Firmware Update."
- C. Tap "Update." The app will send a firmware update request. If the mower is properly connected to Wi-Fi, the update will start. Please wait patiently until the process is complete.

5. Remove the charging station

If the charging station requires repair or needs to be stored for a long period, it can be completely removed.







ERROR MESSAGES

Sometimes things can go wrong. Fortunately, the mower is smart enough to tell you if it encounters an issue, so you can fix it. If in doubt, please visit our website where you will find useful videos and further support.

MESSAGE	CAUSE	ACTION
-EE-	Error unknown	Please restart the mower.
-F01-	Rain delay	The mower is in rain delay state.
-F02-	Low battery	The mower is low on power.
-E01-	Out of working area	Take the mower back to the charging station to charge, then restart it.
-E02-	Wheels motor fault	Turn off the mower, flip the mower over, and check for anything blocking the wheels; if found, please remove it.
-E03-	Blade motor fault	Turn off the mower and flip it over. Put on safety gloves to avoid injury and check whether anything is blocking the blade disc. If so, please remove it.
-E05-	Mower Lifted	Place the mower on level ground, press START then press OK to resume normal operation.
-E06-	Mower upside down	
-E07-	Battery charge error	Battery temperature too low: When the outside temperature is below 0 °C, operation is not suitable and the mower will stop charging. Please store the mower indoors. Power supply is broken: please contact Customer Services.
-E08-	The mower cannot find charging station	The charging station is not installed in an appropriate location—it may be surrounded by obstacles or placed on uneven ground. Please check the installation site.

MESSAGE	CAUSE	ACTION
-E09-	Map not detected	Please check whether a map has been created for this area. If not, create a map in the app and make sure to click "Save" to complete the process.
-E11-	Battery temperature is out of range	The battery temperature is too high. When the temperature is lowered to 55°C, the mower will return to normal work.
-E12-	Camera is covered	Please clean the cover on the camera. Verify whether the mower's decorative cover is lifted; if so, reinstall it properly.
-E14-	Insufficient light	In the schedule, set the mower to return to the charging station before dusk, or purchase an FiatLux light from a store.
-E16-	The mower failed to transfer between zones.	Check whether there are any obstacles in the passage and remove them if present. If the problem persists, recreate the passage in the map.

NOTES

- A. Before turning power on, always check the mower is inside its working area.
- B. If for any reason—i.e. a party, children playing...—you want to park your mower in the charging station: press  then . The mower will go to its station and stay there. Please note that the mower will now wait until the next scheduled mowing session. If you want to re-start it at anytime, press  then  to start your mower.
- C. If an error repeatedly occurs in the same area of your lawn, you might have a problem with the working area so please refer to the installation instructions and check your set up is correct with its help.
- D. If your lawn is divided in two separated areas, connected by a corridor less than 1m wide, one of which is not provided with the charging station: when the mower runs out of charge, take it manually to the charging station.
- E. If the mower runs abnormally once in a while, please reset it by turning it off and removing the battery for 30 seconds, then restart it. If the problem cannot be solved, please contact our Customer Service for help.



TROUBLESHOOTING

If your mower does not work correctly, follow the troubleshooting guide below. Scan the QR code for more troubleshooting.

SYMPTOM	CAUSE	SOLUTION
The mower can not find the charging station.	There are obstacles in front of the charging station.	Please remove the obstacles within the 2 m in front of the charging station.
	The QR code is sheltered.	Make sure the QR code is clear and that there is nothing directly on it or above it.
	The charging station has been installed in a shaded area.	Please relocate the charging station to a place without tall walls or trees on either side that may cause shade.
The secondary area is not mowed.	Incorrectly mapping	Please delete and remap the passage.
	There are obstacles in the passage.	Remove the obstacles.
The mower is not operating at the correct time.	The clock is not set to the correct time.	Keep the mower connected to Wi-Fi, then reset the working schedule.
	The previous mowing task was not completed.	The mower will continue the unfinished task.
The mower shuts off when docking in the charging pile.	The mower fails to charge due to over temperature protection and is powered off.	Place the charging station in a shady area or wait until the temperature has cooled down.
	Poor connection.	Check the LED light on the charging pile. Check the connection between the contact pins located on the charging pile and the charging strip.
The mower fails to connect to the internet.	Please check your router has the correct settings.	Make sure your router is 2.4GHz. If your router has two settings, please enable the 2.4GHz band. Make sure your router is set to 802.11 mode and wireless setting is b/g/n mixed. Make sure your router has the SSID Broadcast function enabled when you connect the mower with the app. You can close it after you connect successfully. Make sure DHCP function is enabled. If you changed your Wi-Fi network, you need to connect the mower to the new network.
	Please check whether the router is disconnected or Wi-Fi SSID is changed.	Make sure the router is connected and Wi-Fi SSID is correct.

SYMPTOM	CAUSE	SOLUTION
The firmware upgrade fails.	The Wi-Fi signal is weak.	Move closer to the router to strengthen the signal.
	The battery level is less than 50%.	Place the mower on the charging station or ensure that the battery level is above 50%.
Charging station indicator is solid blue	The charging station has lost connection with the mower.	Check if the mower is too far from the charging station. If the mower frequently disconnects at a certain location, adjust the placement of the charging station according to the instructions in the QSG.
Charging station indicator is flashing green and blue alternately	The charging station is not connected, or not yet connected, to the home Wi-Fi.	Make sure the mower is successfully paired with the app. If pairing is complete, check the Wi-Fi signal strength on your smartphone. If the signal is weak, the charging station may be too far from the router. 1. Reposition the charging station following the instructions in the QSG. 2. Move the router closer to the charging station. 3. Buy a Wi-Fi signal booster.
When the mower is equipped with the Cut to Zero module, its housing may often get stuck on raised obstacles.	The selected Cut to Zero cutting height is too low.	Check the Cut to Zero height setting and adjust it one level higher.

Low Power Mode (UEC Mode)

Description:

UEC (Ultra Energy Conservation) Mode is a low power mode in which all non-essential modules are turned off. A 2 mm hole is reserved below the charging contacts on the charging station for enabling or disabling this mode. Use a pointed tool to press or release the internal switch through this hole to enter or exit Low Power Mode.

How to Enable UEC Mode:

Insert a pointed tool into the 2 mm hole located below the charging contacts on the charging station. Gently press the internal switch until it pops up. This will activate UEC Mode, turning off all non-essential modules to minimize power consumption.

Charging Behavior in UEC Mode:

When UEC Mode is enabled and the charging cable is connected, all power-consuming components will be turned off except for the power board, battery pack, and charger to conserve energy.

Exiting UEC Mode During Charging:

To exit UEC Mode, use the same pointed tool to press the internal switch inside the hole again. Once the switch is pressed down, the system will return to normal operation and all modules will be powered on.

WARRANTY STATEMENT FOR Worx Landroid Vision Cloud

Worx offer a 3 year warranty period to Worx Landroid Vision Cloud robotic mower from date of purchase, except for accessories and consumables. If your Worx Landroid Vision Cloud becomes defective due to faulty materials or workmanship within a limited warranty period from the date of purchase, we guarantee to:

- Replace or repair all defective parts, free of charge, or,
- Repair products free of charge, or,
- Replace the unit with a new or re-conditioned unit, free of charge.

The Limited Warranty is subject to the following conditions:

- Battery packs are guaranteed for 1 year period only, regardless of online registration. (The warranty is only for the original battery packs provided with the Robotic mower or the same model number of original battery packs, please note other battery packs are excluded from the warranty.)
- The tool has not been misused, abused, neglected, altered, modified or repaired by anyone other than an authorized service center.
- Only genuine Worx Landroid Vision Cloud accessories and parts have been used on or with the product.
- The tool has been subjected to fair wear and tear.
- The tool has not been used for trade or professional purposes.
- The tool has not been used for rental purposes.
- The tool has not sustained damage through foreign objects, substances or accidents.

Your limited warranty does not cover:

- Components that are subject to natural wear and tear caused by use in accordance with operating instructions.
- Unauthorized/improper maintenance/handling or overload is excluded from this warranty as are accessories such as blades and wheels, etc.
- Damage, malfunctions or failure resulting from all cleaning methods other than hose water cleaning the product, e.g., high pressure washer, steam and hose installed with any nozzle.

For guarantee claims, please contact the WORX Helpline. You will need to submit a registration document and proof of purchase in the form of a valid receipt that displays date and place of purchase.

Worx Landroid Vision Cloud Helpline 1-800-727-6260

This guarantee statement does not replace but is in addition to your statutory rights. This warranty does not apply to accessories supplied with the tool. This warranty applies only to the original purchaser and may not be transferred. All repairs and replacement tools will be covered by the limited warranty for the balance of the warranty period from the date of the original purchase.

Please register your tool by scanning the QR code below. This registration entitles you to manage and view your product warranty

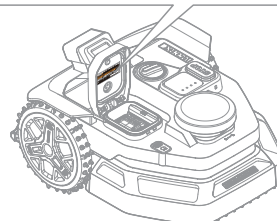
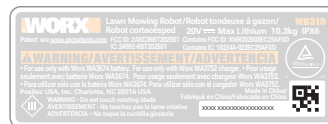
30 Days Satisfaction Guarantee

If you are not completely satisfied with the performance of your WORX tool, simply return it within 30 days. It must be returned in its original packaging complete as purchased, including accessories and any items provided free of charge to the point of purchase for a full refund or exchange. A valid receipt that displays the date and place of purchase must be provided.

You will need to submit evidence of online registration and proof of purchase in the form of a valid receipt that displays date and place of purchase.

When calling the Helpline please have details of the WORX model number and serial number available. This will help WORX Customer Service when dealing with your call.

How to find model number and serial number? Please see below example.



⚠️ AVERTISSEMENT: Certaines poussières créées par le ponçage, le sciage, le meulage, le perçage et autres activités de construction contiennent des produits chimiques reconnus par l'État de Californie comme pouvant causer le cancer, des anomalies congénitales ou d'autres problèmes de reproduction. Quelques exemples de ces produits chimiques:

- Le plomb provenant des peintures au plomb;
- La silice cristallisée provenant des briques et du ciment et d'autres produits de maçonnerie;
- L'arsenic et le chrome provenant du bois traité chimiquement. Les risques que vous encourez résultant de ces expositions varient selon la fréquence à laquelle vous effectuez ce type de travail. Pour réduire votre exposition à ces produits chimiques : travailler dans un endroit bien ventilé, et porter un équipement de sécurité approprié tel que certains masques antipoussières qui sont spécialement conçus pour filtrer les particules microscopiques.

⚠️ AVERTISSEMENT: Ce dispositif peut vous exposer aux produits chimiques notamment le plomb et le di-phtalate (de 2-éthylhexyle) (DEHP) qui sont reconnus dans l'État de Californie comme causant des cancers et des anomalies congénitales ou d'autres anomalies de la reproduction. Pour en savoir plus, veuillez consulter le site www.P65Warnings.ca.gov.

⚠️ AVERTISSEMENT: Veuillez lire toutes les consignes de sécurité et les instructions. *Le non-respect des avertissements et instructions peut entraîner un choc électrique, un incendie et/ou des blessures graves.*

Lisez attentivement les instructions pour assurer le fonctionnement en toute sécurité de la machine.

Conservez tous les avertissements et les instructions pour une référence future.

- Cet appareil n'est pas destiné à être utilisé par des personnes (y compris les enfants) dont les capacités physiques, sensorielles ou mentales sont réduites, sans expérience et/ou aux compétences insuffisantes, sauf si elles ont été encadrées concernant l'utilisation de l'appareil par une personne responsable de leur sécurité.

- Les enfants doivent être surveillés pour s'assurer qu'ils ne jouent pas avec l'appareil.

AVERTISSEMENT: Aux fins de la recharge de la batterie, utilisez uniquement l'unité d'alimentation détachable fournie avec cet appareil.

AVERTISSEMENT: Pour réduire le risque de blessures aux personnes et de dommages à l'appareil, ne retirez pas le bloc de batteries avant d'éteindre l'appareil.

IMPORTANT

LISEZ ATTENTIVEMENT AVANT L'UTILISATION

CONSERVEZ POUR UNE RÉFÉRENCE FUTURE

Consignes de sécurité

Formation

- Lisez attentivement les instructions. Assurez-vous de bien comprendre les instructions et de vous familiariser avec les commandes et la bonne utilisation de l'appareil.
- Ne laissez jamais les personnes peu familières avec ces instructions ou les enfants utiliser l'appareil. Les réglementations locales peuvent limiter l'âge de l'opérateur.
- L'opérateur ou l'utilisateur est responsable des accidents ou dommages causés à d'autres personnes ou à leurs biens.

Préparations

- Assurez-vous que le système de délimitation du périmètre automatisé est correctement installé, conformément aux instructions.

Cette machine fonctionne sans câble périphérique ou frontière virtuelle. Elle peut identifier automatiquement la zone de travail et la zone de non-travail grâce à la caméra. Une fois la machine mise en marche, la caméra se met automatiquement en marche. La machine

reconnaît par la caméra la zone de travail qui est la pelouse et la zone non travaillée qui n'est pas la pelouse. Lorsque la machine atteint la limite de la pelouse, elle tourne automatiquement pour continuer dans la zone de travail.

Ajoutez une bande magnétique pour délimiter la pelouse avec celle du voisin. La machine tourne lorsqu'elle rencontre une bande magnétique pendant la tonte. Elle tond le long de la bande magnétique lorsqu'elle tourne.

- b) Inspectez périodiquement la zone où l'appareil doit être utilisé et enlever toutes les pierres, bâtons, fils, os et autres objets étrangers. Inspectez et nettoyez périodiquement les limites entre la zone pelouse et la zone non-pelouse. Le déblaiement des limites aide la tondeuse à identifier la zone de travail.
- c) Inspectez visuellement de façon périodique pour voir si les lames, les boulons de lame et le carter de coupe ne sont pas usés ou endommagés. Remplacez les lames ou les boulons usés ou endommagés dans des ensembles pour préserver l'équilibre.
- d) Sur les appareils multibroches, sachez que la rotation d'une lame peut entraîner celle des autres lames.
- e) **AVERTISSEMENT!** La tondeuse ne doit pas être utilisée sans l'installation adéquate de la garde.

Fonctionnement

1. Généralités

- a) Ne jamais faire fonctionner l'appareil des gardes défectueuses ou sans dispositifs de sécurité, par exemple des déflecteurs, en place.
- b) Ne mettez pas les mains ou les pieds près ou sous les pièces rotatives. Restez à l'écart de l'ouverture de décharge à tout moment.
- c) Ne soulevez ou portez jamais un appareil pendant que le moteur est en marche.
- d) Faites fonctionner le dispositif de désactivation de l'appareil,
 - enlever l'objet à l'origine du blocage;
 - contrôler, nettoyer ou travailler sur l'appareil.
- e) Il n'est pas autorisé de modifier la conception originale de la tondeuse à gazon robot. Toutes les modifications sont effectuées à vos propres risques.
- f) Démarrez la tondeuse à gazon robot selon les instructions. Lorsque le bouton de mise sous tension est allumé, assurez-vous de garder vos mains et pieds éloignés des lames pivotantes. Ne mettez jamais vos mains et vos pieds sous la tondeuse.
- g) N'essayez jamais de soulever la tondeuse robot ou de la porter lorsque le bouton de mise sous tension est allumé.
- h) Ne laissez pas les personnes qui ont des connaissances réduites sur le fonctionnement et le comportement des tondeuses à gazon robot utiliser la tondeuse.
- i) Ne posez rien au-dessus de la tondeuse robot ou sa station de charge.
- j) N'autorisez pas l'utilisation de la tondeuse robot avec un disque de coupe ou un carter défectueux. Elle ne doit pas être utilisée avec des lames, vis, écrous ou câbles défectueux.
- k) Mettez toujours la tondeuse robot hors tension lorsque vous n'avez pas l'intention de l'utiliser. La tondeuse robot peut démarrer uniquement si le bouton de mise sous tension est allumé et le code PIN correct a été saisi.
- L) Maintenez vos mains et vos pieds éloignés des lames tournantes. Ne placez jamais vos mains ou vos pieds auprès du ou sous le corps lorsque la tondeuse robotique est en marche.
- m) Évitez d'utiliser l'appareil et ses périphériques dans les conditions météorologiques mauvaises en particulier lorsqu'il existe des risques de foudre.
- n) Ne touchez pas les parties dangereuses en mouvement avant qu'elles ne se soient complètement arrêtées.
- o) Pour les machines utilisées dans les lieux publics, des panneaux d'avertissement doivent être placés autour de la zone de travail de la machine. Ils doivent contenir les éléments essentiels de texte suivant:
Avertissement ! Tondeuse à gazon automatique ! Ne vous approchez pas de la machine !

Surveillez les enfants!

2. De plus lorsque l'appareil fonctionne automatiquement

- a) Ne laissez pas la machine fonctionner sans surveillance si vous savez que des animaux domestiques, des enfants ou des personnes se trouvent à proximité.
- b) Veuillez régler le smartphone pour verrouiller automatiquement l'écran après 30 secondes afin d'éviter que l'application ne soit utilisée à mauvais escient par d'autres.

Entretien et stockage

⚠️ AVERTISSEMENT! Lorsque la tondeuse est retournée, le bouton d'alimentation doit toujours être désactivé.

Le bouton d'alimentation doit toujours être désactivé pendant tous les travaux sur le châssis de la tondeuse, comme le nettoyage ou le remplacement des lames.

- a) Maintenez tous les écrous, boulons et vis bien serrés pour s'assurer que l'appareil est en bon état de marche.
- b) Inspectez la tondeuse à gazon robot chaque semaine et remplacez les pièces usées ou endommagées pour la sécurité.
- c) Assurez-vous particulièrement que les lames et le disque de coupe ne sont pas endommagés. Remplacez toutes les lames et les vis en même temps si nécessaire pour assurer le bon équilibre des pièces rotatives.
- d) Veiller à ce que seules les pièces de rechange du matériel de coupe de bonne qualité soient utilisées.
- e) S'assurez que les batteries sont chargées en utilisant le chargeur adéquat recommandé par le fabricant. La mauvaise utilisation peut entraîner un choc électrique, une surchauffe ou une fuite du liquide corrosif de la batterie.
- f) En cas de fuite d'électrolyte avec de l'eau /un agent de neutralisation, consultez un médecin en cas de contact avec les yeux etc.
- g) L'entretien de l'appareil devrait être effectué selon les instructions du fabricant.
- h) Afin d'obtenir les meilleures performances, veuillez prêter attention à la plage de température ambiante suivante, ne pas recharger, utiliser ou entreposer en cas de dépassement de la plage de température suivante:
 - a) Plage de température de charge : 32°F~104°F (0°C~40°C)
 - b) Plage de température de décharge : -4°F~131°F (-20°C~55°C)
 - c) Plage de température de stockage : -4°F~167°F (-20°C~75°C)
- i) Une fuite de liquide de batterie peut provoquer une irritation de la peau et des yeux ou des brûlures chimiques.
 - a) Évitez tout contact avec les yeux et la peau.
 - b) Si du liquide pénètre dans les yeux : Ne pas frotter. Rincez les yeux ouverts à l'eau pendant au moins 15 minutes et consultez un médecin.
 - c) En cas de contact accidentel, lavez immédiatement et soigneusement la zone de contact avec de l'eau et du savon doux.
 - d) Utilisez un absorbant inerte tel que du sable sur le liquide renversé.

Recommandation

Pour raccorder l'appareil et/ou ses périphériques uniquement à un circuit d'alimentation protégé par un courant différentiel résiduel (RCD) avec un courant de déclenchement qui ne dépasse pas 30mA.

Dangers résiduels

Pour éviter les blessures, portez les gants de protection lors du remplacement des lames.

Transport

L'emballage d'origine doit être utilisé lors du transport de la tondeuse robot sur de longues distances.

Pour se déplacer en toute sécurité dans la zone de travail:

- a) Appuyez sur le bouton STOP (ARRÊT) pour arrêter la tondeuse.
Vous choisissez un code PIN à quatre chiffres quand vous démarrez la tondeuse pour la première fois.
- b) Mettez toujours la tondeuse robot hors tension si vous avez l'intention de la porter.
- c) Portez la tondeuse par la poignée située à l'arrière sous la tondeuse. Portez la tondeuse avec le disque de coupe éloigné de votre corps.

CONSIGNES GÉNÉRALES DE SÉCURITÉ CONCERNANT LA BATTERIE

- a) **Ne pas démonter, ouvrir ou déchiqueter le bloc batterie.**
- b) **Ne pas exposer le bloc batterie à la chaleur ou au feu. Evitez de ranger la batterie dans un endroit exposé à la lumière directe du soleil.**
- c) **Ne pas court-circuiter une batterie. Ne stockez pas les blocs batterie en vrac dans une boîte ou un tiroir où ils peuvent se court-circuiter ou être court-circuités par d'autres objets métalliques.** Lorsque le bloc batterie n'est pas utilisé, conservez-le loin d'autres objets métalliques, tels que des trombones, des pièces de monnaie, des clés, des clous, des vis ou d'autres objets métalliques de petite taille, qui pourraient établir une connexion d'un terminal à l'autre. Le fait de créer un court-circuit entre les bornes de la batterie peut causer des brûlures ou des incendies.
- d) **Ne pas soumettre la batterie à des chocs mécaniques.**
- e) **En cas de fuite de la batterie, ne pas laisser le liquide entrer en contact avec la peau ou les yeux. Si un contact a été effectué, laver la zone touchée avec beaucoup d'eau et consulter un médecin.**
- f) **Ne pas utiliser de batterie qui n'a pas été conçue pour être utilisée avec cet appareil.**
- g) **Maintenez la batterie hors de portée des enfants.**
- h) **Achetez toujours une batterie recommandée par le fabricant de l'appareil.**
- i) **Conservez le bloc batterie propre et sec.**
- j) **Essuyez les bornes de la batterie avec un chiffon propre et sec si elles deviennent sales.**
- k) **La batterie doit être chargée avant son utilisation. Utilisez toujours le chargeur adapté et reportez-vous aux instructions du fabricant ou au manuel de l'équipement pour suivre les instructions concernant la procédure de charge.**
- l) **Ne laissez pas le bloc batterie en charge prolongée lorsqu'il n'est pas utilisé.**
- m) **Après de longues périodes de stockage, il peut être nécessaire de charger et de décharger la batterie plusieurs fois pour obtenir des performances optimales.**
- n) **Rechargez le bloc batterie uniquement avec le chargeur spécifié par Worx. N'utilisez pas un chargeur autre que celui spécifiquement conçu pour être utilisé avec l'équipement.**
- o) **Conservez la documentation originale du produit pour référence ultérieure.**
- p) **Utilisez uniquement la batterie dans l'application pour laquelle elle a été prévue.**
- q) **Retirez la batterie de l'équipement lorsqu'il n'est pas utilisé.**
- r) **Éliminez la batterie de façon adéquate.**
- s) **Ne pas mélanger des cellules de fabricants, de capacités, de tailles ou de type différents dans un appareil.**
- t) **N'exposez pas la batterie à des micro-ondes et de la haute pression.**

Exigences relatives au manuel d'utilisation d'un produit sans fil

- a) Ce dispositif est conforme à la partie 15 des règles du FCC. Son fonctionnement est soumis aux deux conditions suivantes:
 - (1) Cet appareil ne doit pas causer d'interférences nuisibles, et
 - (2) cet appareil doit accepter toute interférence reçue, y compris toute interférence pouvant entraîner un fonctionnement indésirable.
- b) **AVERTISSEMENT:** Les changements ou modifications de cet appareil non expressément approuvés par la partie responsable de la conformité pourraient annuler l'autorisation de l'utilisateur à faire fonctionner l'équipement.
- c) Cet appareil contient un ou plusieurs émetteurs/récepteurs exemptés de licence qui

sont conformes aux CNR d'Innovation, Sciences et Développement Économique Canada applicables aux appareils radio exempts de licence. Son fonctionnement est soumis aux deux conditions suivantes:

(1) Cet appareil ne doit pas causer d'interférences nuisibles.

(2) Cet appareil doit accepter toute interférence reçue, y compris toute interférence pouvant entraîner un fonctionnement indésirable.

- d) REMARQUE: Cet équipement a été examiné et s'est avéré être conforme aux limites pour un dispositif numérique de la classe B, conformément à la partie 15 des règles du FCC. Ces limites sont conçues pour assurer la protection raisonnable contre une interférence dommageable dans une installation résidentielle. Cet équipement génère, utilise et peut émettre une énergie de fréquence radio et, s'il n'est pas installé et utilisé conformément aux instructions, il peut causer des interférences nuisibles aux communications radio. Cependant, il n'y a aucune garantie que l'interférence ne se produira pas dans une installation particulière. Si cet équipement cause une interférence dommageable à un radio ou à la réception d'émissions télévisées, laquelle peut être déterminée en allumant ou éteignant l'équipement, l'utilisateur est encouragé à essayer de corriger l'interférence par une ou plusieurs des mesures suivantes:
- Réorienter ou replacer l'antenne de réception.
 - Augmenter la séparation entre l'équipement et le récepteur.
 - Relier l'équipement dans une prise sur un circuit différent de celui auquel le récepteur est connecté.
 - Consulter le revendeur ou un technicien expérimenté de radio/TV pour de l'aide.

Pour appareil mobile

- a) Pour satisfaire aux exigences d'exposition aux RF de la FCC et de l'ISED, une distance de séparation de 20 cm ou plus devrait être maintenue entre l'antenne de cet appareil et les personnes pendant le fonctionnement de l'appareil
- b) Pour assurer la conformité, il n'est pas recommandé d'opérations à une distance plus proche que cette distance

Sélection de la région (pour appareil Wi-Fi 2,4 G)

Limitée par les réglementations locales, la version pour l'Amérique du Nord n'a pas d'option de sélection de région.

Description de l'interface réseau

Les interfaces réseau suivantes sont activées par défaut lorsque l'appareil est mis sous tension :

- Bluetooth

Permet le jumelage et la liaison entre l'appareil et l'application mobile. Prend en charge la configuration Wi-Fi via l'application. Pendant le processus de cartographie, Bluetooth permet également de contrôler et de gérer l'appareil.

- Wi-Fi

Connecte l'appareil au réseau sans fil domestique pour la communication de données avec le serveur cloud. Prend en charge la surveillance, le contrôle et la configuration des paramètres à distance via l'application. Permet également les mises à jour OTA (sans fil) du micrologiciel afin d'assurer une optimisation rapide du logiciel.

- Réseau cellulaire 4G

Fournit une connectivité au serveur cloud en l'absence de Wi-Fi, garantissant une communication continue entre l'appareil et l'application pour une interaction à distance, la synchronisation des données et le contrôle.

- RadioLink

Se connecte à la station de recharge compatible pour recevoir des données de positionnement RTK haute précision. Permet une précision de positionnement au centimètre près, améliorant ainsi la stabilité de la navigation et la précision opérationnelle.

INFORMATION SUR LA TONDEUSE



AVERTISSEMENT – la tondeuse robot peut être dangereuse si elle est mal utilisée. Lisez attentivement le manuel de l'opérateur et assurez-vous de maîtriser le contenu avant d'utiliser votre tondeuse à gazon robot.



AVERTISSEMENT - Tenez-vous à une distance de sécurité de la machine lors de l'utilisation.



AVERTISSEMENT – Activez le dispositif de désactivation avant de travailler sur ou de soulever la machine.



AVERTISSEMENT - Ne montez pas sur la machine.



Batterie Li-Ion, les batteries doivent être recyclées.



Ne pas jeter au feu



Les batteries peuvent s'introduire dans le cycle de l'eau si elles sont éliminées de manière inappropriée, ce qui peut être dangereux pour l'écosystème. Ne pas éliminer les batteries usagées avec les déchets municipaux non triés.



Interdire le démontage de la machine sans autorisation.



Appareil de catégorie III



Lire le manuel de l'opérateur

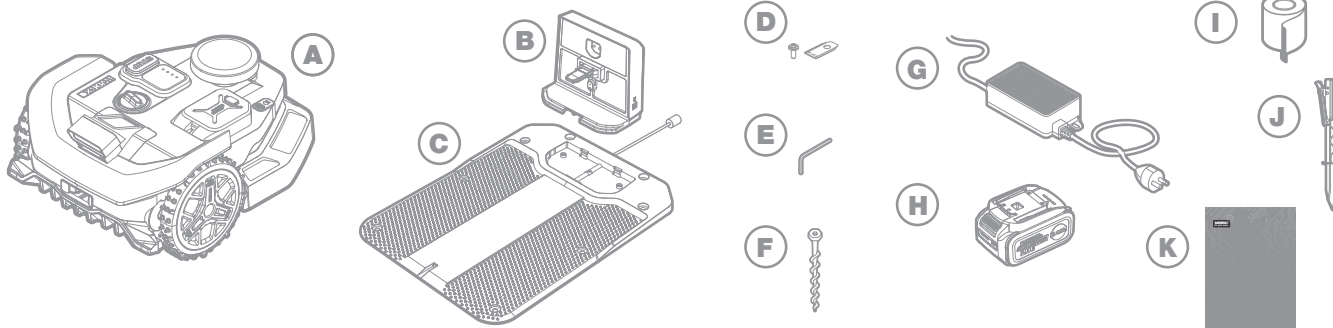


call2recycle

POSITEC Inc. a établi un partenariat avec la RBRC Corporation pour recycler toutes les batteries Positec avec le sceau RBRC-call2recycle. Pour protéger l'environnement, ne jetez pas les batteries dans la poubelle. À la fin du cycle de vie des batteries, appelez le 1.800-822-8837 pour un service gratuit qui vous débarrassera correctement de la batterie.

Vous pouvez personnaliser la performance de votre tondeuse avec des accessoires. Consultez la page www.worx.com/lawn-garden/robotic-lawn-mowers.html pour en savoir plus sur les accessoires disponibles en options.

LISTE DES ÉLÉMENTS

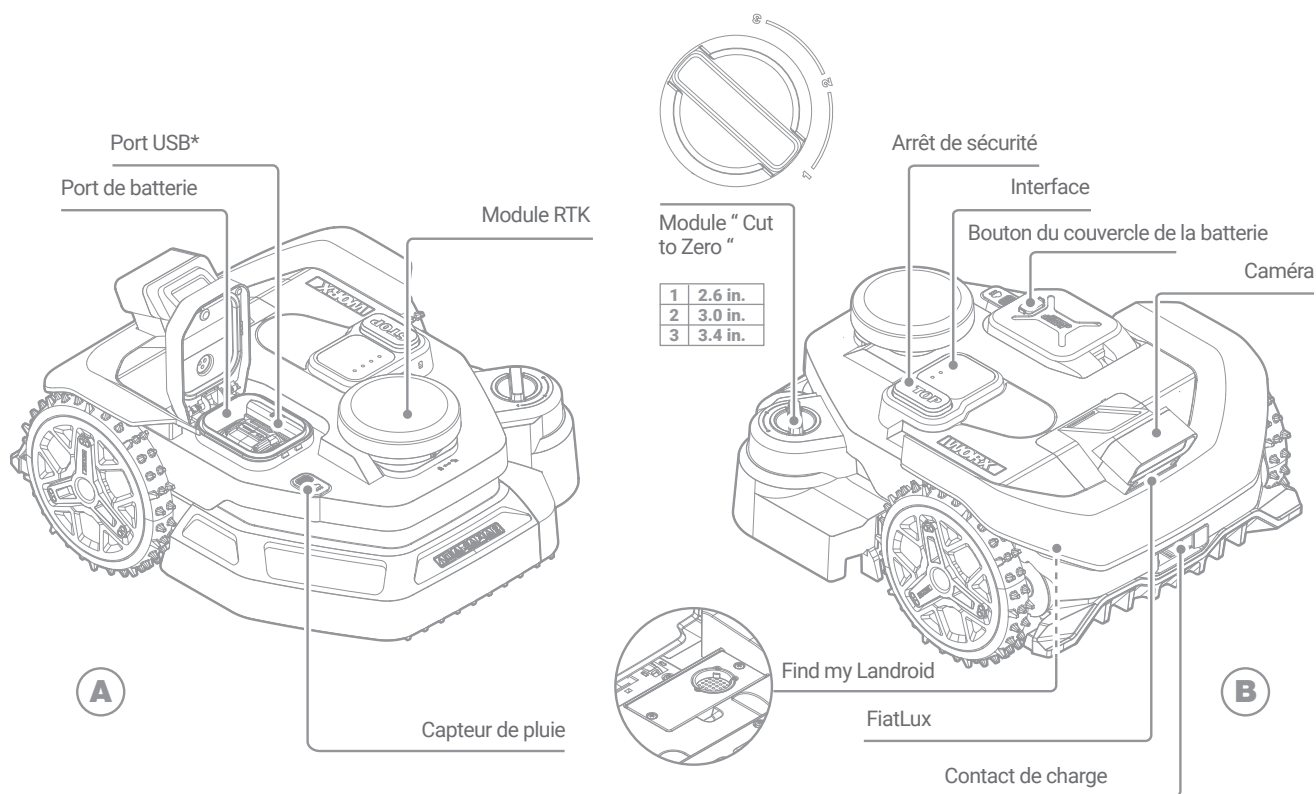


- A Tondeuse à gazon robotisée
- B Unité de charge
- C Base de la station de charge
- D Kit de lame de rechange
- E Clé à six pans
- F Vis

- G Alimentation
- H Batterie 20V
- I Ligne de non-franchissement
- J Piquets de pelouse
- K Manuel



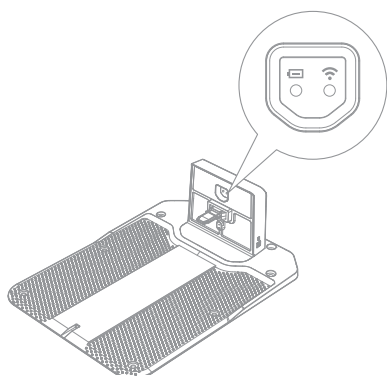
APPRENDRE À CONNAÎTRE LA TONDEUSE






Port USB* : Utilisé pour le téléchargement des fichiers journaux et la mise à jour manuelle du micrologiciel.

Illustration pour référence uniquement

APPRENDRE À CONNAÎTRE L'ALIMENTATION ÉLECTRIQUE



Icône	Type	Description de la fonction
	Vert	Solide : Fonction de recharge normale
		Fonctionnement au ralenti : Recharge en cours
	Rouge	Solide : Erreur de recharge
	Éteint	Pas d'alimentation électrique.
	Vert	Cela fonctionne normalement.
	Bleu	Il fonctionne anormalement. Veuillez consulter la section Dépannage ou communiquer avec le service à la clientèle pour obtenir de l'aide supplémentaire.

DONNÉES TECHNIQUES

	WR340
Tension nominale	20V Max.*
Vitesse à vide	2400 /min
Zone de coupe en	1 acre (4000 m ²)
Diamètre de coupe en	8.7 in (22 cm)
Hauteur de coupe en	1.57-1.97-2.36-2.76-3.15-3.54 in (40-50-60-70-80-90 mm)
Système de tonte	3 lames
Méthode de réglage de la hauteur de coupe	Électrique
Cut to Zero	Y
Hauteur de tonte " Cut to Zero "	1-2-3 2.6-3.0-3.4 in (65-75-85 mm)
Caméra	Stéréo
Pente	30% (17°)**
Type de batterie	Lithium-ion
Capacité de la batterie	5 Ah
Modèle de batterie	WA3675
Temps de charge environ	60 mins.
Modèle de chargeur	WA3805
Indice du chargeur	Entrez: 120 V~60 Hz, 190W, Sortie: 28 V , 5.0 A
Poids de la machine	30.9 lb (14 kg)
Degré de protection	III
Application (Wi-Fi/Bluetooth)	Y
Bandes de fréquences pour Bluetooth	2400-2483.5 MHz
Puissance maximale transmise pour Bluetooth	8 dBm
Bandes de fréquences pour le Wi-Fi	2412-2462 MHz
Puissance de sortie maximale pour le Wi-Fi	30 dBm
Niveau d'étanchéité	IPX 6

*Tension mesurée à vide. La tension de batterie initiale atteint un maximum de 20 volts. La tension nominale est de 18 volts.

**Si la tondeuse est équipée du module " Cut to Zero ", il n'est pas recommandé de l'utiliser sur des pentes supérieures à 15°.

DONNÉES TECHNIQUES POUR 4G-GNSS

Système mondial de navigation par satellite (GNSS)	GPS / GLONASS / BDS / Galileo / SBAS
Fréquence nominale	1559-1610 MHz 1215-1300 MHz 1164-1215 MHz

DONNÉES TECHNIQUES POUR 4G

Bande	Tx(Mhz)	Rx(Mhz)	Puissance de sortie RF (Max)
GSM900(B8)	880-915	925-960	33dBm
DCS1800(B3)	1710-1785	1805-1880	30dBm
WCDMA B1	1920-1980	2110-2170	24dBm
WCDMA B8	880-915	925-960	24dBm
WCDMA Band V	824-849	869-894	24dBm
LTE-FDD B1	1920-1980	2110-2170	23dBm
LTE-FDD B3	1710-1785	1805-1880	23dBm
LTE-FDD B7	2500-2570	2620-2690	23dBm
LTE-FDD B8	880-915	925-960	23dBm
LTE-FDD B20	832-862	791-821	23dBm
LTE-FDD B28	703-748	758-803	23dBm
LTE-TDD B38	2570-2620	2570-2620	23dBm
LTE-TDD B40	2300-2400	2300-2400	23dBm
LTE Band 3	1710-1785	1805-1880	23dBm
LTE Band 41	2535-2675	2535-2675	23dBm

ACCESSOIRES

	WR340
Vis	8
Unité de charge	1
Base de la station de charge	1
Clé à six pans	1
Lames de rechange	8
Ligne de non-franchissement	6 m
Piquets de pelouse	10
Module " Cut to Zero "	1
FiatLux	1
Batterie (WA3675)	1
Alimentation (WA3805)	1

Nous vous recommandons d'acheter les accessoires d'origine figurant dans la liste ci-dessus dans le même magasin où vous avez acheté l'appareil. Consultez l'emballage de l'accessoire pour de plus amples renseignements. Les employés du magasin peuvent vous aider et vous conseiller.

UTILISATION PRÉVUE

Ce produit de jardin est destiné à la tonte des pelouses domestiques. Il est conçu pour souvent tondre, pour obtenir une pelouse plus saine et plus belle que jamais. En fonction de la taille de votre pelouse, votre tondeuse peut être programmée pour fonctionner à tout moment ou selon une fréquence donnée. Elle n'est pas conçue pour creuser, balayer ou déneiger.

ENTRETIEN

Votre tondeuse travaille dur et doit être nettoyée et vérifiée de temps en temps. Cette section de notre guide vous aide à maintenir votre tondeuse en bon état afin qu'elle puisse fonctionner pendant des années sans problème. Voici comment entretenir votre tondeuse. Éteignez la tondeuse avant d'effectuer toute opération d'entretien ou de maintenance.

1. Elle doit toujours être affûtée

⚠️ AVERTISSEMENT! Avant de nettoyer, régler ou remplacer les lames, mettez votre tondeuse sur ARRÊT et retirez la batterie. Portez toujours des gants de protection.

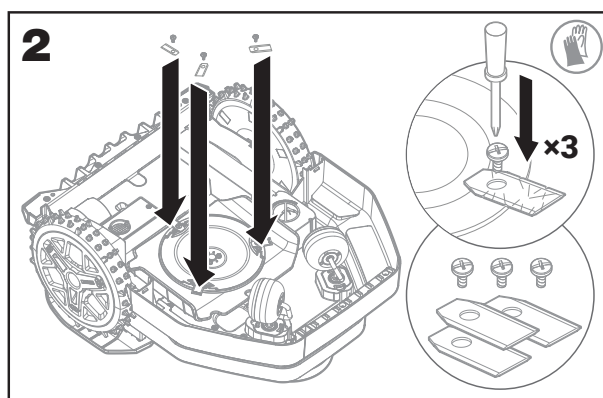
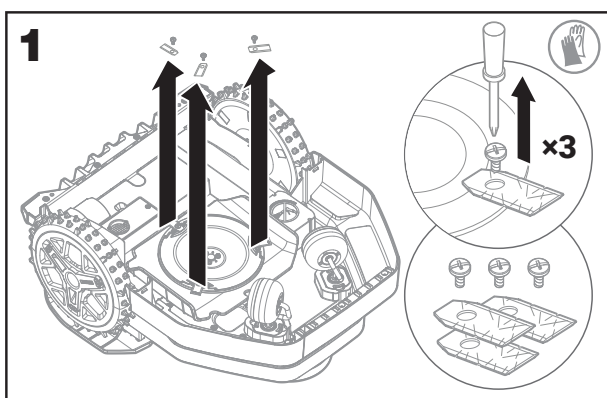
Remplacement des lames (voir figures 1 et 2)

Retirez la batterie et retournez délicatement la tondeuse.

Retirez les vis des lames à l'aide d'un tournevis.

Vissez fermement les nouvelles lames.

Mise en garde : Si l'assemblage de la lame "Cut to Zero" doit être remplacé, suivez la même procédure de remplacement que pour la lame de l'unité principale. Si vous devez remplacer la lame située à l'intérieur près du couvercle de protection, il suffit de tourner le disque de la lame pour faire pivoter la lame intérieure vers l'extérieur afin de la retirer. Portez toujours des gants de protection et prenez les précautions de sécurité appropriées pour éviter toute blessure.



⚠️ Attention : Lors de l'installation d'une nouvelle lame, veillez à remplacer toutes les lames.

Utilisez toujours des vis neuves lors de l'installation de la lame. Ceci est important pour garantir que la lame maintient et équilibre l'arotation de la lame. Ne pas utiliser de nouvelles vis peut causer des blessures graves.

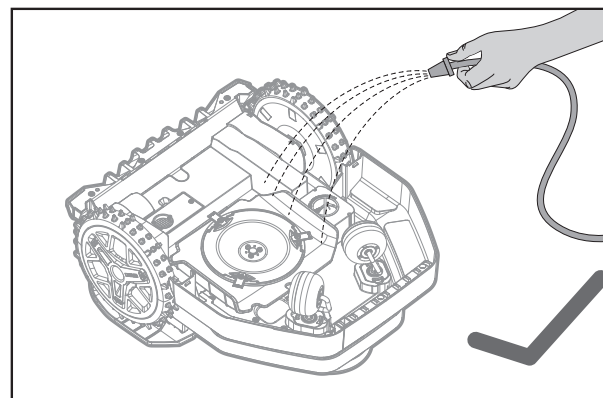
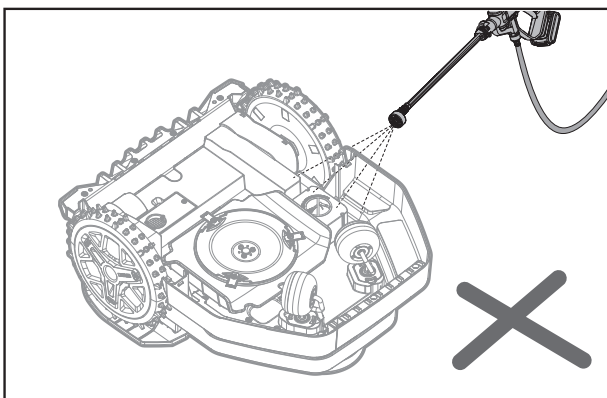
Important: Après avoir vissé la lame dans la lame, assurez-vous que la lame peut tourner librement.

2. Elle doit toujours être propre

Votre tondeuse doit être nettoyée régulièrement. Cela permet de la maintenir en bon état, notamment en éliminant la saleté, les débris et les résidus d'herbe coupée lors de la tonte quotidienne. Éteignez votre tondeuse avant de la nettoyer. Pour plus de sécurité, retirez la batterie.

⚠️ Attention : Assurez-vous que le couvercle du bloc-batterie est fermé lorsque vous lavez votre tondeuse.

⚠️ AVERTISSEMENT! VOTRE TONDEUSE ne peut être lavée qu'à l'aide d'un tuyau d'arrosage! N'utilisez PAS de nettoyeur haute pression sur votre tondeuse. L'eau sous haute pression peut pénétrer à l'intérieur des joints et endommager les composants électroniques et mécaniques.



3. Elle doit toujours être rechargée

Le cœur de la tondeuse est sa batterie Li-Ion Worx PowerShare de 20 V.

A. Pour l'entreposage adéquat de la batterie, assurez-vous qu'elle est pleinement chargée et conservée dans un endroit sec et frais.

B. La température de fonctionnement recommandée pour la tondeuse est entre 0 et 55 °C.

C. La durée de vie de la batterie de la tondeuse dépend du nombre d'heures d'utilisation et de la durée d'utilisation quotidienne pendant la saison de tonte.

4. Elle doit toujours être mise à jour

La tondeuse est en constante amélioration et de nouvelles versions du micrologiciel sont disponibles gratuitement. Veuillez à toujours mettre à jour le micrologiciel de votre tondeuse afin d'en tirer le meilleur parti.

4.1 Vérifiez la version actuelle du micrologiciel de la tondeuse dans l'application :

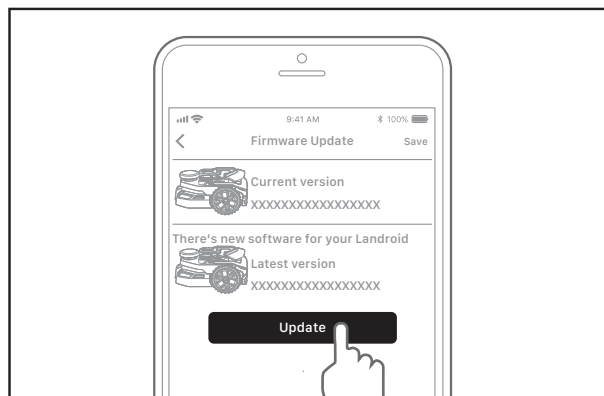
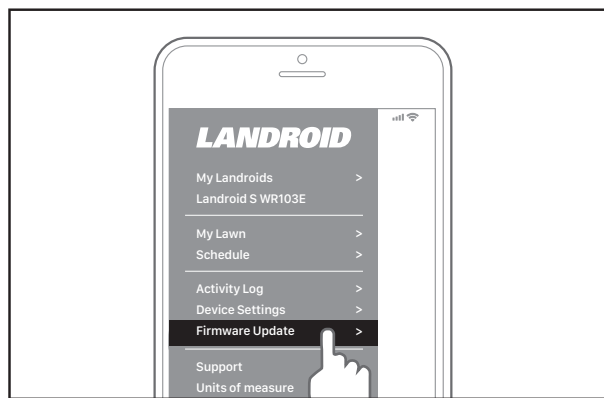
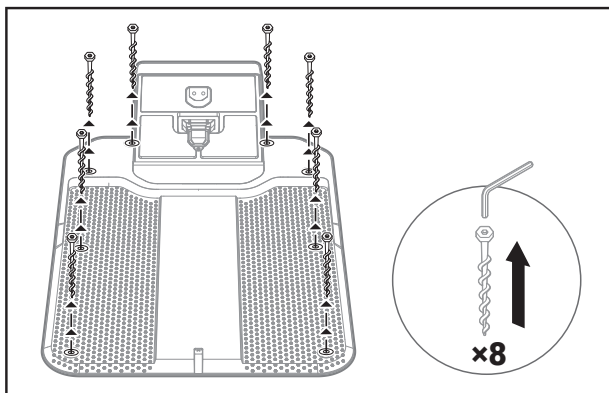
- A. Appuyez sur l'icône de la barre latérale dans le coin supérieur gauche.
- B. Sélectionnez « Mise à jour du micrologiciel ».
- C. L'écran affichera « Version actuelle ». Le petit texte gris ci-dessous indique la version du micrologiciel actuellement installée.

4.2 Mettre à jour le micrologiciel de la tondeuse via l'application :

- A. Appuyez sur l'icône de la barre latérale dans le coin supérieur gauche.
- B. Sélectionnez « Mise à jour du micrologiciel ».
- C. Appuyez sur « Mettre à jour ». L'application enverra une demande de mise à jour du micrologiciel. Si la tondeuse est correctement connectée au Wi-Fi, la mise à jour démarre. Veuillez patienter jusqu'à ce que le processus soit terminé.

5. Retirer la station de recharge

Si la station de recharge doit être réparée ou entreposée pendant une longue période, elle peut être entièrement démontée.







MESSAGES D'ERREUR

Parfois, il y a des problèmes. Heureusement, la tondeuse est assez intelligente pour vous avertir si elle rencontre un problème, afin que vous puissiez le corriger. En cas de doute, consultez notre site Web où vous trouverez des vidéos utiles et une assistance supplémentaire.

MESSAGE	CAUSE	ACTION
-EE-	Erreur inconnue	Veuillez redémarrer la tondeuse.
-F01-	Retard dû à la pluie	La tondeuse est en état d'attente en raison de la pluie.
-F02-	Batterie faible	La tondeuse manque de puissance.
-E01-	Hors de la zone de tonte	Ramenez la tondeuse à la station de recharge pour la recharger, puis redémarrez-la.
-E02-	Défaillance du moteur des roues	Éteignez la tondeuse, retournez-la et vérifiez si quelque chose bloque les roues ; si c'est le cas, veuillez enlever l'obstacle.
-E03-	Défaillance du moteur de la lame	Éteignez la tondeuse et retournez-la. Enfilez des gants de sécurité pour éviter toute blessure et vérifiez si quelque chose bloque le disque de coupe. Si c'est le cas, veuillez enlever l'obstacle.
-E05-	Tondeuse soulevée	Placez la tondeuse sur un sol plat, appuyez sur START puis sur OK pour reprendre le fonctionnement normal.
-E06-	Tondeuse à l'envers	
-E07-	Erreur de charge de la batterie	Température de la batterie trop basse : Lorsque la température extérieure est inférieure à 0 °C, le fonctionnement n'est pas adapté et la tondeuse cesse de se charger. Veuillez entreposer la tondeuse à l'intérieur. L'alimentation électrique est défectueuse : veuillez contacter le service à la clientèle.
-E08-	La tondeuse ne trouve pas la station de recharge	La station de recharge n'est pas installée à un emplacement approprié : elle est peut-être entourée d'obstacles ou placée sur un sol irrégulier. Veuillez vérifier le site d'installation.

MESSAGE	CAUSE	ACTION
-E09-	Carte non détectée	Veillez vérifier si une carte a été créée pour cette zone. Si ce n'est pas le cas, créez une carte dans l'application et assurez-vous de cliquer sur « Enregistrer » pour compléter le processus.
-E11-	La température de la batterie est hors plage	La température de la batterie est trop élevée. Lorsque la température redescendra à 55 °C, la tondeuse reprendra son fonctionnement normal.
-E12-	La caméra est obstruée	Nettoyez le couvercle de la caméra. Vérifiez si le couvercle décoratif de la tondeuse est soulevé ; si c'est le cas, réinstallez-le correctement.
-E14-	Éclairage insuffisant	Dans le programme, réglez la tondeuse pour qu'elle retourne à la station de recharge avant le crépuscule, ou achetez une lampe FiatLux dans un magasin.
-E16-	La tondeuse n'a pas réussi à passer d'une zone à l'autre.	Vérifiez s'il y a des obstacles dans le passage et retirez-les s'il y en a. Si le problème persiste, recréez le passage sur la carte.

REMARQUES



- A. Avant de mettre la tondeuse en marche, vérifiez toujours qu'elle se trouve bien dans sa zone de travail.
- B. Si, pour une raison quelconque (une fête, des enfants qui jouent, etc.), vous souhaitez garer votre tondeuse dans la station de recharge : appuyez sur  puis sur . La tondeuse se rendra à sa station de recharge et y restera. Veuillez noter que la tondeuse attendra désormais jusqu'à la prochaine session de tonte programmée. Si vous souhaitez le redémarrer à tout moment, appuyez sur  puis sur  pour démarrer votre tondeuse.
- C. Si une erreur se produit de manière répétée dans la même zone de votre pelouse, il se peut que vous ayez un problème avec la zone de travail. Veuillez alors vous référer aux instructions d'installation et vérifier que votre installation est correcte.
- D. Si votre pelouse est divisée en deux zones séparées, reliées par un couloir de moins d'un mètre de large, dont l'une n'est pas équipée d'une station de recharge : lorsque la tondeuse est à court de batterie, transportez-la manuellement jusqu'à la station de recharge.
- E. Si la tondeuse fonctionne de manière anormale de temps à autre, veuillez la réinitialiser en l'éteignant et en retirant la batterie pendant 30 secondes, puis redémarrez-la. Si le problème ne peut être résolu, veuillez contacter notre service à la clientèle pour obtenir de l'aide.

DÉPANNAGE

Si votre tondeuse ne fonctionne pas correctement, suivez le guide de dépannage ci-dessous. Balayez le QR code pour obtenir davantage de renseignements sur le dépannage.



SYMPTÔME	CAUSE	SOLUTION
La tondeuse ne trouve pas la station de recharge.	Il y a des obstacles devant la station de recharge.	Veillez retirer les obstacles situés dans un rayon de 2 m devant la station de recharge.
	Le QR code est caché.	Assurez-vous que le QR code est visible et qu'il n'y a rien directement dessus ou au-dessus.
	La station de recharge a été installée dans une zone ombragée.	Veillez déplacer la station de recharge vers un endroit où il n'y a pas de murs élevés ou d'arbres de chaque côté qui pourraient faire de l'ombre.
La zone secondaire n'est pas tondu.	Cartographie incorrecte	Veillez supprimer et recartographier le passage.
	Il y a des obstacles dans le passage.	Retirez les obstacles.
La tondeuse ne fonctionne pas à l'heure prévue.	L'horloge n'est pas réglée à l'heure correcte.	Laissez la tondeuse connectée au Wi-Fi, puis réinitialisez le programme de fonctionnement.
	La tâche de tonte précédente n'a pas été terminée.	La tondeuse poursuivra la tâche inachevée.
La tondeuse s'éteint lorsqu'elle est placée sur la station de recharge.	La tondeuse ne se recharge pas en raison de la protection contre la surchauffe et elle est mise hors tension.	Placez la station de recharge dans un endroit ombragé ou attendez que la température ait baissé.
	Mauvaise connexion.	Vérifiez le voyant LED sur la station de recharge. Vérifiez la connexion entre les broches de contact situées sur la station de recharge et la bande de recharge.

SYMPTÔME	CAUSE	SOLUTION
La tondeuse ne parvient pas à se connecter à l'Internet.	Vérifiez que votre routeur est correctement configuré.	Assurez-vous que votre routeur fonctionne sur la bande 2,4 GHz. Si votre routeur dispose de deux réglages, veuillez activer la bande 2,4 GHz. Assurez-vous que votre routeur est réglé sur le mode 802.11 et que le réglage sans fil est mixte b/g/n. Assurez-vous que la fonction de diffusion SSID est activée sur votre routeur lorsque vous connectez la tondeuse à l'application. Vous pouvez le fermer après avoir réussi à vous connecter. Assurez-vous que la fonction DHCP est activée. Si vous avez changé de réseau Wi-Fi, vous devez connecter la tondeuse au nouveau réseau.
	Vérifiez si le routeur est déconnecté ou si le SSID Wi-Fi a été modifié.	Assurez-vous que le routeur est connecté et que le SSID Wi-Fi est correct.
La mise à jour du micrologiciel échoue.	Le signal Wi-Fi est faible.	Rapprochez-vous du routeur pour renforcer le signal.
	Le niveau de la batterie est inférieur à 50 %.	Placez la tondeuse sur la station de recharge ou assurez-vous que le niveau de la batterie est supérieur à 50 %.
Le voyant de la station de recharge  est bleu fixe	La station de recharge a perdu la connexion avec la tondeuse.	Vérifiez si la tondeuse est trop éloignée de la station de recharge. Si la tondeuse se déconnecte fréquemment à un certain endroit, ajustez l'emplacement de la station de recharge conformément aux instructions du guide de démarrage rapide.
Le voyant de la station de recharge  clignote alternativement en vert et en bleu.	La station de recharge n'est pas connectée, ou pas encore connectée, au Wi-Fi domestique.	Assurez-vous que la tondeuse est correctement appairée avec l'application. Si le jumelage est terminé, vérifiez la puissance du signal Wi-Fi sur votre téléphone intelligent. Si le signal est faible, la station de recharge est peut-être trop éloignée du routeur. 1. Repositionnez la station de recharge en suivant les instructions du GDR. 2. Rapprochez le routeur de la station de recharge. 3. Achetez un amplificateur de signal Wi-Fi.
Lorsque la tondeuse est équipée du module " Cut to Zero ", son carter peut souvent se coincer sur des obstacles surélevés.	La hauteur de tonte " Cut to Zero " sélectionnée est trop basse.	Vérifiez le réglage de la hauteur de tonte " Cut to Zero " et augmentez-le d'un niveau.

Mode basse consommation (mode UEC)

Description :

Le mode UEC (ultra conservation de l'énergie) est un mode basse consommation dans lequel tous les modules non essentiels sont désactivés. Un trou de 2 mm est prévu sous les contacts de charge de la station de recharge pour activer ou désactiver ce mode. Utilisez un outil pointu pour appuyer sur le commutateur interne ou le relâcher à travers ce trou afin d'activer ou de désactiver le mode basse consommation.

Comment activer le mode UEC :

Insérez un outil pointu dans le trou de 2 mm situé sous les contacts de charge de la station de recharge. Appuyez doucement sur le commutateur interne jusqu'à ce qu'il sorte. Cela activera le mode UEC, désactivant tous les modules non essentiels afin de minimiser la consommation d'énergie.

Comportement de chargement en mode UEC :

Lorsque le mode UEC est activé et que le câble de recharge est connecté, tous les composants consommateurs d'énergie sont désactivés, à l'exception de la carte d'alimentation, de la batterie et du chargeur, afin d'économiser l'énergie.

Quitter le mode UEC pendant le chargement :

Pour quitter le mode UEC, utilisez le même outil pointu pour appuyer à nouveau sur le commutateur interne situé à l'intérieur du trou. Une fois le commutateur enfoncé, le système revient à son fonctionnement normal et tous les modules sont réactivés.

DÉCLARATION DE GARANTIE POUR Worx Landroid Vision Cloud

Worx offre une garantie de 3 ans sur la tondeuse robot Worx Landroid Vision Cloud à compter de la date d'achat, à l'exception des accessoires et des consommables. Si votre Worx Landroid Vision Cloud devient défectueux en raison de matériaux défectueux ou d'un défaut de fabrication dans un délai de 3 ans à compter de la date d'achat, nous garantissons de :

- Remplacer ou réparer toutes les pièces défectueuses, gratuitement, ou,
- Réparer l'appareil, gratuitement, ou,
- Le remplacer gratuitement par un appareil neuf ou reconditionné.

La garantie limitée est soumise aux conditions suivantes :

- Les blocs de batteries sont garantis pour une période d'un an seulement, indépendamment de l'enregistrement en ligne. (La garantie ne s'applique qu'aux blocs de batteries d'origine fournis avec la tondeuse robotisée ou aux blocs de batteries d'origine du même numéro de modèle, veuillez noter que les autres blocs de batteries sont exclus de la garantie)
- L'outil n'a pas été mal utilisé, détérioré, négligé, altéré, modifié ou réparé par une personne autre qu'un prestataire de services autorisé.
- Seuls les accessoires et pièces d'origine Worx Landroid Vision Cloud ont été utilisés sur ou avec le produit.
- L'outil a été soumis à une usure normale.
- Le produit n'a pas été utilisé à des fins commerciales ou professionnelles.
- L'outil n'a pas été utilisé à des fins de location.
- L'outil n'a subi aucun dommage causé par des objets étrangers, des substances ou des accidents.

Votre garantie limitée ne couvre pas :

- Les composants soumis à l'usure normale causée par l'utilisation conformément au mode d'emploi.
- La garantie ne s'applique pas à l'entretien, à la manipulation ou à la surcharge non autorisés ou incorrects ni aux accessoires tels que les lames, les roues, etc.
- Dommages, dysfonctionnements ou pannes résultant de toutes les méthodes de nettoyage autres que le nettoyage du produit au jet d'eau, par exemple, nettoyeur haute pression, vapeur et tuyau installé avec une buse.

Pour toute demande de garantie, veuillez contacter le service d'assistance téléphonique WORX. Vous devrez soumettre un document d'enregistrement et une preuve d'achat sous la forme d'un reçu valide indiquant la date et le lieu d'achat.

Service d'assistance téléphonique Worx Landroid Vision Cloud 1-800-727-6260

Cette garantie limitée ne remplace pas, mais s'ajoute à vos droits légaux. Cette garantie ne s'applique pas aux accessoires fournis avec l'outil. Cette garantie limitée s'applique uniquement à l'acheteur initial et ne peut être transférée. Toutes les réparations et les produits de remplacement seront couverts par la garantie limitée pour le restant de la période de garantie du produit initiale à compter de la date d'achat initiale.

Veuillez enregistrer votre outil en scannant le code QR ci-dessous. Cet enregistrement vous permet de gérer et de consulter la garantie de votre produit.

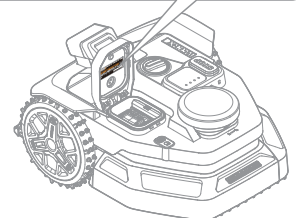
Garantie de satisfaction de 30 jours

Si vous n'êtes pas entièrement satisfait des performances de votre outil WORX, il vous suffit de le retourner dans les 30 jours. Il doit être retourné dans son emballage d'origine complet tel qu'acheté, y compris les accessoires et tous les articles fournis gratuitement au point d'achat pour un remboursement complet ou un échange. Un reçu valide indiquant la date et le lieu d'achat doit être fourni.

Vous devrez présenter une preuve d'enregistrement en ligne et une preuve d'achat sous la forme d'un reçu valide indiquant la date et le lieu d'achat.

Lorsque vous appelez le service d'assistance téléphonique, veuillez vous munir du numéro de modèle et du numéro de série de WORX. Cela aidera le service à la clientèle de WORX à traiter votre appel.

Comment trouver le numéro de modèle et le numéro de série? Veuillez voir l'exemple ci-dessous.



⚠️ ADVERTENCIA: Algún polvo creado por lijado, aserrado, perforación eléctricos, y otras actividades de construcción contiene químicos que se sabe en el estado de California que causan cáncer, defectos de nacimiento y otros daños reproductivos. Algunos ejemplos de estos químicos son:

- Plomo a partir de pinturas a base de plomo;
- Sílice cristalino de ladrillos y cemento y otros productos de albañilería;
- Arsénico y cromo de madera tratada químicamente.

Su riesgo a partir de estas exposiciones varía, dependiendo de qué tan a menudo realice este tipo de trabajo. Para reducir su exposición a estos químicos: trabaje en un área bien ventilada, y trabaje con equipo de seguridad aprobado, tal como máscaras de polvo que estén diseñadas especialmente para filtrar partículas microscópicas.

⚠️ ADVERTENCIA: Este producto puede exponerlo a sustancias químicas, como plomo y di (2-etilhexilo) ftalato (DEHP), que el estado de California reconoce como causantes de cáncer y defectos de nacimiento u otros daños reproductivos. Para más información visite www.P65Warnings.ca.gov.

⚠️ ADVERTENCIA: Lea todas las advertencias de seguridad y todas las instrucciones. La falla en seguir las advertencias e instrucciones puede resultar en choque eléctrico, incendio y/o lesiones serias.

Lea cuidadosamente las instrucciones para la operación segura de la máquina.

Guarde todas las advertencias e instrucciones para referencia futura.

-Este aparato no está diseñado para uso por personas (incluyendo niños) con capacidades físicas, sensoriales o mentales reducidas, o sin experiencia y conocimiento, a menos que hayan recibido supervisión o instrucción respecto al uso del aparato por una persona responsable por su seguridad.

-Los niños deben ser supervisados para asegurar que no jueguen con el aparato.

ADVERTENCIA: Para propósitos de recargar la batería, sólo use la unidad de suministro desprendible provista con este aparato.

ADVERTENCIA: Para reducir el riesgo de lesiones a personas y daño a la máquina, no retire el paquete de batería antes de apagar la máquina.

IMPORTANTE

LEA CUIDADOSAMENTE ANTES DE USAR

CONSERVE PARA REFERENCIA FUTURA

Prácticas de operación segura

Capacitación

- a) Lea las instrucciones cuidadosamente. Asegúrese de entender las instrucciones y familiarizarse con los controles y el uso adecuado del aparato.
- b) Nunca permita que personas no familiarizadas con estas instrucciones o niños usen el aparato. Las regulaciones locales pueden restringir la edad del operador.
- c) El operador o usuario es responsable por accidentes o peligros que ocurran a otras personas o su propiedad.

Preparación

- a) Asegúrese de la correcta instalación del sistema automático de delimitación del perímetro según las instrucciones.

Esta máquina funciona sin cable delimitador ni límite virtual. Puede identificar automáticamente la zona de trabajo y en la que no se trabaja a través de la cámara. Al encender la máquina, la cámara se encenderá automáticamente y trabajará al mismo tiempo. La máquina reconoce que el pasto es la zona de trabajo a través de la cámara, y la

zona que no es pasto no la trabaja. Cuando la máquina avanza hasta el límite entre el pasto y lo que no es pasto, girará automáticamente para volver a la zona de trabajo.

Coloque una cinta magnética para separarla del pasto del vecino. La máquina regresa cuando encuentra una cinta magnética al cortar el pasto. Se regresa a lo largo de la cinta magnética.

- b) Revise periódicamente el área donde se usará el aparato y retire todas las piedras, varas, alambres, huesos, y otros objetos extraños. Inspeccione y limpie periódicamente los límites entre el pasto y lo que no es pasto. Despejar los límites ayuda a la podadora a identificar la zona de trabajo.
- c) Revise de forma visual periódicamente para ver que las aspas, pernos de aspa y ensamble del cortador no estén desgastados o dañados. Reemplace las aspas y pernos desgastados o dañados en juegos para conservar el balance.
- d) En aparatos de husillo múltiple, tenga cuidado ya que girar una aspa puede causar que otras giren.
- e) ¡ADVERTENCIA! La podadora no debe operarse sin la protección en su lugar.

Operación

1. General

- a) Nunca opere el aparato con protecciones defectuosas, o sin dispositivos de seguridad, por ejemplo deflectores, en su lugar.
- b) No coloque las manos o pies cerca o debajo de las partes giratorias. Manténgase alejado de la abertura de descarga en todo momento.
- c) Nunca levante o transporte el aparato mientras el motor esté funcionando.
- d) Opere el dispositivo de desactivación del aparato.
 - Retirar el bloqueo;
 - Revisar, limpiar o trabajar en el aparato.
- e) No se permite modificar el diseño original de la podadora robótica. Todas las modificaciones realizadas son bajo su propio riesgo.
- f) Arranque la podadora robótica de acuerdo con las instrucciones. Cuando se encienda la llave de energía, asegúrese de mantener sus manos y pies lejos de las aspas giratorias. Nunca coloque sus manos y pies debajo de la podadora.
- g) Nunca levante la podadora robótica o la transporte cuando la llave de energía esté encendida.
- h) No deje que personas que no conocen cómo funciona y se comporta la podadora robótica la usen.
- i) No coloque nada sobre la parte superior de la podadora robótica o su estación de carga.
- j) No permita que la podadora robótica se utilice con un disco de aspa o cuerpo defectuoso. Tampoco se debe usar con aspas, tornillos, tuercas o cables defectuosos.
- k) Siempre apague la podadora robótica cuando no pretenda usarla. La podadora robótica sólo puede arrancar cuando la llave de energía está encendida y se ingresó el código NIP correcto.
- l) Mantenga sus manos y pies alejados de las cuchillas giratorias. Nunca coloque sus manos o pies cerca o debajo del cuerpo cuando la podadora robótica esté en operación.
- m) Evite usar la máquina y sus periféricos en malas condiciones climáticas, en especial cuando exista un riesgo de rayos.
- n) No toque las partes peligrosas móviles antes que se hayan detenido por completo.
- o) En el caso de las máquinas usadas en zonas públicas, deben colocarse señales de advertencia alrededor de la zona de trabajo de la máquina. Deberán mostrar el siguiente texto:
¡Atención! ¡Podadora automática! ¡No se acerque a la máquina! ¡Supervise a los niños!

2. Adicionalmente cuando el aparato esté funcionando automáticamente

- a) No deje que la máquina opere sin atenderla si sabe que hay mascotas, niños o personas en las cercanías.
- b) Por favor, configura el teléfono inteligente para que bloquee la pantalla automáticamente después de 30 segundos para evitar que otros hagan un uso indebido de la aplicación.

Mantenimiento y almacenamiento

⚠ ¡ADVERTENCIA! Cuando la podadora se voltee la llave de energía siempre se debe apagar. La llave de energía se debe apagar durante todo el trabajo en el marco inferior de la podadora, tal como limpiar o reemplazar las aspas.

- a) Mantenga todas las tuercas, pernos y tornillos apretados para asegurar que el aparato esté en una condición de operación segura.
- b) Revise la podadora robótica cada semana y reemplace las partes desgastadas o dañadas por seguridad.
- c) Revise especialmente que las aspas y el disco de aspa no estén dañados. Reemplace todas las aspas y tornillos al mismo tiempo si es necesario para que las partes giratorias estén balanceadas.
- d) Asegúrese que sólo se usen medios de corte del tipo correcto.
- e) Asegúrese que las baterías estén cargadas usando el cargador correcto recomendado por el fabricante. El uso incorrecto puede resultar en choque eléctrico, sobrecalentamiento o fuga de líquido corrosivo de la batería.
- f) En el caso de fuga de electrolito lave con agua/agente neutralizante, busque ayuda médica si entra en contacto con los ojos, etc.
- g) El servicio del aparato debe ser de acuerdo con las instrucciones de los fabricantes.
- h) Para que obtenga el mejor rendimiento, preste atención al siguiente intervalo de temperatura ambiente; no lo cargue, use ni guarde en caso que se salga de los siguientes intervalos de temperatura:
 - a) Intervalo de temperatura de carga: 32°F~104°F (0°C~40°C)
 - b) Intervalo de temperatura de descarga: -4°F~131°F (-20°C~55°C)
 - c) Intervalo de temperatura de almacenamiento: -4°F~167°F (-20°C~75°C)
- i) El líquido que se escapa de las baterías puede provocar irritación en la piel y los ojos, y quemaduras químicas.
 - a) Evite el contacto con los ojos y la piel.
 - b) Si le cae líquido en los ojos: No se los restriegue. Enjuague los ojos abiertos con agua al menos durante 15 minutos, y busque asistencia médica.
 - c) En caso de contacto accidental, lavar la zona de contacto inmediatamente y abundantemente con agua y jabón neutro.
 - d) Use un absorbente inerte como arena en el líquido derramado.

Recomendación

Conecte la máquina y/o sus periféricos únicamente a un circuito de suministro protegido por un dispositivo de corriente residual (RCD) con una corriente de disparo de no más de 30 mA.

Riesgos residuales

Para evitar lesiones, use guantes de protección cuando reemplace las cuchillas.

Transporte

El empaque original se debe usar cuando transporte la podadora robótica en distancias extensas.

Para mover con seguridad desde o dentro del área de operación:

- a) Presione el botón STOP para detener la podadora.

Usted selecciona el código NIP de cuatro dígitos cuando arranca la podadora por primera

vez.

- b) Siempre apague la podadora robótica si pretende cargar la podadora.
- c) Cargue la podadora por la manija en la parte trasera debajo de la podadora. Cargue la podadora con el disco de aspa alejado del cuerpo.

Advertencias generales de seguridad para la batería

- a) **No desensamble, abra o triture el paquete de batería.**
- b) **No exponga el paquete de batería a calor o fuego. Evite guardar a la luz directa del sol.**
- c) **No ponga en corto circuito el paquete de batería. No guarde el paquete de batería de forma aleatoria en una caja o cajón donde puedan ponerse en corto circuito entre sí o ponerse en corto circuito por otros objetos metálicos.** Cuando el paquete de batería no esté en uso, manténgalo alejado de otros objetos metálicos, como sujetadores de papel, monedas, llaves, clavos, tornillos u otros objetos metálicos pequeños que puedan establecer una conexión de una terminal a otra. El corto circuito de las terminales de la batería puede causar quemaduras o incendios.
- d) **No someta el paquete de batería a impacto mecánico.**
- e) **En el caso de fuga de la batería, no permita que el líquido entre en contacto con la piel o los ojos. Si hay contacto, lave el área afectada con bastante agua y busque atención médica.**
- f) **No use ningún paquete de batería que no esté diseñado para uso con el equipo.**
- g) **Mantenga el paquete de batería fuera del alcance de los niños.**
- h) **Siempre adquiera el paquete de batería recomendado por el fabricante del dispositivo para el equipo.**
- i) **Mantenga el paquete de batería limpio y seco.**
- j) **Limpie las terminales del paquete de batería con una tela seca limpia su se ensucian.**
- k) **El paquete de batería se necesita cargar antes del uso. Siempre use el cargador correcto y consulte las instrucciones del fabricante o el manual del equipo para saber las instrucciones correctas de carga.**
- l) **No deje el paquete de batería en carga prolongada cuando no esté en uso.**
- m) **Después de periodos prolongados de almacenamiento, puede ser necesario cargar y descargar el paquete de batería varias veces para obtener el desempeño máximo.**
- n) **Recargue únicamente con el cargador especificado por Worx. No use cargadores que no sean los específicamente suministrados para uso con el equipo.**
- o) **Conserve la literatura el producto original para referencia futura.**
- p) **Sólo use el paquete de batería en la aplicación para la que está diseñado.**
- q) **Retire el paquete de batería del equipo cuando no esté en uso.**
- r) **Deséchelo adecuadamente.**
- s) **No mezcle celdas de diferente fabricación, capacidad, tamaño o tipo dentro del dispositivo.**
- t) **Mantenga la batería lejos de microondas y no la someta a altas presiones.**

Requisitos del manual de usuario del producto inalámbrico

- a) Este dispositivo cumple con la Parte 15 de las Regulaciones de la FCC. Su utilización está sujeta a las dos condiciones siguientes:
 - (1) Este dispositivo no puede provocar interferencia dañina, y
 - (2) Este dispositivo debe admitir cualquier interferencia recibida, incluso interferencia que pueda provocar un funcionamiento no deseado.
- b) Precaución: Los cambios o modificaciones a esta unidad no autorizados expresamente por la parte responsable de la conformidad podrían anular la autoridad del usuario a utilizar este equipo.
- c) Este dispositivo contiene transmisores/receptores exentos de licencia que cumplen las RSS de exención de licencia del Ministerio de Industrias de Canadá. Su utilización está sujeta a

las dos condiciones siguientes:

- (1) Este dispositivo no puede provocar interferencia.
- (2) Este dispositivo debe admitir cualquier interferencia, incluso interferencia que pueda provocar un funcionamiento no deseado del dispositivo.

- d) **NOTA:** Este equipo ha sido probado y se comprobó que cumple con los límites para un dispositivo digital Clase B, de conformidad con la Parte 15 de las Regulaciones de la FCC. Estos límites están diseñados para proporcionar una protección razonable contra las interferencias perjudiciales en una instalación residencial. Este equipo genera, usa y puede radiar energía de radiofrecuencias y, si no se instala y usa de acuerdo con las instrucciones, puede provocar interferencia dañina a las radiocomunicaciones. No obstante, no hay garantía de que no causará interferencia en una instalación específica. Si este equipo provoca interferencia dañina a la recepción de radio o televisión, lo cual se puede determinar encendiendo y apagando el equipo, se alienta al usuario para que intente corregir la interferencia mediante una o más de las siguientes medidas:
- Reorientar o reubicar la antena receptora.
 - Aumentar la separación entre el equipo y el receptor.
 - Conectar el equipo a una toma de corriente de un circuito diferente al que está conectado el receptor.
 - Consultar al distribuidor o a un técnico de radio/televisión con experiencia para que le ayude.

Para dispositivos móviles

- a) Para satisfacer los requisitos de exposición a RF de FCC e ISED, se debe mantener una distancia de 20 cm o más entre la antena de este dispositivo y las personas durante el funcionamiento del dispositivo
- b) Para garantizar el cumplimiento, no se recomiendan operaciones a una distancia más cercana a esta

Seleccione la región (para dispositivos Wi-Fi 2.4G)

Limitada por las regulaciones legales locales, la versión para América del Norte no tiene la opción de selección de región.

Descripción de la interfaz de red

Las siguientes interfaces de red están habilitadas de forma predeterminada cuando se enciende el dispositivo:

- Bluetooth

Conecta el dispositivo a la red inalámbrica doméstica para la comunicación de datos con el servidor en la nube. Admite monitoreo, control y configuración de parámetros remotos a través de la aplicación. También permite actualizaciones de firmware OTA (Over-The-Air) para garantizar la optimización oportuna del software.

- Wi-Fi

Connects the device to the home wireless network for data communication with the cloud server. Supports remote monitoring, control, and parameter configuration via the app. Also enables OTA (Over-The-Air) firmware updates to ensure timely software optimization.

- Red celular 4G

Proporciona conectividad al servidor en la nube en ausencia de Wi-Fi, lo que garantiza una comunicación continua entre el dispositivo y la aplicación para la interacción remota, la sincronización de datos y el control.

- RadioLink

Se conecta a la estación de carga compatible para recibir datos de posicionamiento RTK de alta precisión. Permite una precisión de posicionamiento de nivel centimétrico, lo que mejora la estabilidad de la navegación y la precisión operativa.

INFORMACIÓN SOBRE LA CORTADORA DE CÉSPED



ADVERTENCIA – la podadora robótica puede ser peligrosa si se usa incorrectamente. Lea el Manual del operador cuidadosamente y entienda el contenido antes de usar su podadora robótica.



ADVERTENCIA - Mantenga una distancia segura desde la máquina cuando la opere.



ADVERTENCIA –Active el dispositivo de desactivación antes de trabajar en o levantar la máquina.



ADVERTENCIA – No monte la máquina.



Batería de Ion de litio, la batería se debe reciclar.



No arrojar al fuego



Las baterías pueden entrar al ciclo de agua si se desechan incorrectamente, lo que puede ser peligroso para el ecosistema. No deseches las baterías de desperdicio como desperdicio municipal sin clasificar.



Prohibido desensamblar la máquina sin autorización.



Aparato clase III



Para reducir el riesgo de lesiones, el usuario deberá leer el manual de instrucciones.

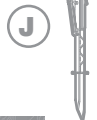
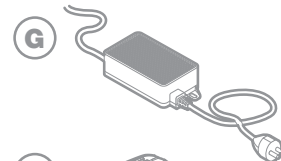
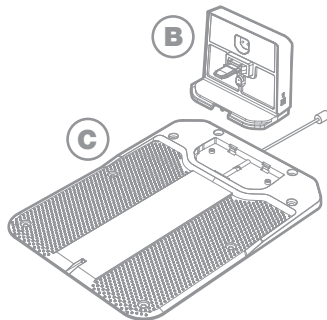
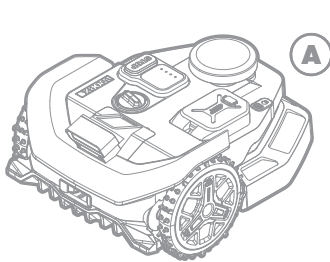


call2recycle

POSITEC Inc. ha establecido una sociedad con RBRC Corporation para reciclar cualquier batería Positec con el sello de reciclaje RBRC-call2. Para protección ambiental, por favor no deseches las baterías en la basura. Después que finalice el ciclo de vida de las baterías, por favor llame al 1.800-822-8837 para servicio gratuito para desechar adecuadamente la batería.

Puedes personalizar el rendimiento de tu cortadora de césped con accesorios. Visite www.worx.com/lawn-garden/robotic-lawn-mowers.html para que aprenda más sobre estas opciones auxiliares disponibles.

LISTA DE PARTES

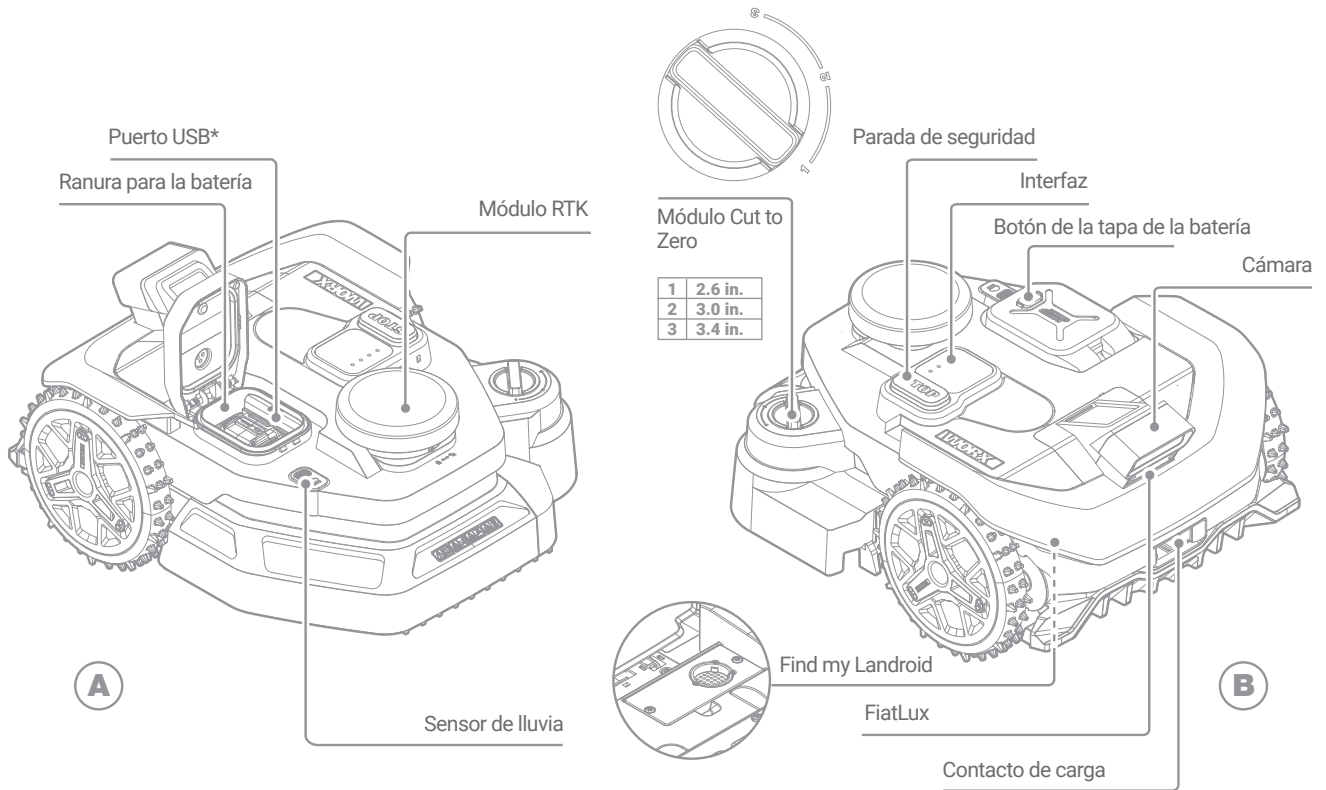


- A Cortacésped robótico
- B Torre de carga
- C Placa base de carga
- D Kit de cuchillas de repuesto
- E Llave allen
- F Tornillos

- G Fuente de alimentación
- H Batería de 20 V
- I Línea prohibida
- J Estacas para césped
- K Manual



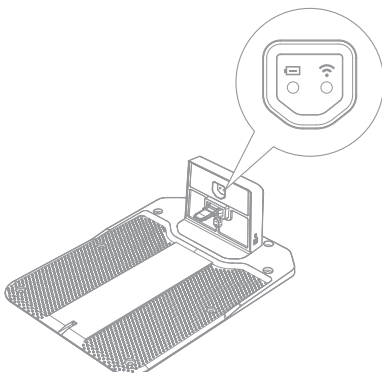
FAMILIARÍCESE CON EL CORTACÉSPED



*Puerto USB: Se utiliza para exportar archivos de registro y realizar actualizaciones manuales del firmware.

La imagen es solamente para referencia

FAMILIARÍCESE CON LA ALIMENTACIÓN



Ícono	Tipo	Descripción de la función
🔋	Verde	Fija: Función de carga normal
		Parpadeando: Carga en curso
	Rojo	Fija: Fallo en la carga Intermitente: Fallo por cortocircuito en la polaridad de la batería
	Desconectado	Sin suministro eléctrico.
📶	Verde	Funciona con normalidad.
	Azul	Está funcionando de manera anormal. Consulta la sección de Solución de problemas o comunícate con el Servicio al Cliente para recibir más ayuda.

DATOS TÉCNICOS

	WR340
Voltaje nominal	20V Max.*
Velocidad sin carga	2400 /min
Área de corte	1 acre (4000 m ²)
Diámetro de corte	8.7 in (22 cm)
Altura de corte	1.57-1.97-2.36-2.76-3.15-3.54 in (40-50-60-70-80-90 mm)
Sistema de corte	3 cuchillas
Método de ajuste de la altura de corte	Eléctrico
Cut to Zero	Y
Altura de corte del sistema Cut to Zero	1-2-3 2.6-3.0-3.4 in (65-75-85 mm)
Cámara	Estéreo
Pendiente	30% (17°)**
Tipo de batería	Ion de litio
Capacidad de la batería	5 Ah
Modelo de batería	WA3675
Tiempo de carga aprox.	60 mins.
Modelo de cargador	WA3805
Capacidad de cargador	Entrada: 120 V~60 Hz, 190W, Salida: 28 V , 5.0 A
Peso de maquinaria	30.9 lb (14 kg)
Grado de protección	III
App (Wi-Fi/Bluetooth)	Y
Bandas de frecuencia para Bluetooth	2400-2483.5 MHz
Máxima potencia transmitida por Bluetooth	8 dBm
Bandas de frecuencia para Wi-Fi	2412-2462 MHz
Potencia máxima de salida para Wi-Fi	30 dBm
Nivel de impermeabilidad	IPX 6

*Voltaje medido sin carga. El voltaje de batería inicial alcanza el máximo de 20 voltios. El voltaje nominal es 18 voltios.

**Si el cortacésped está equipado con el módulo Cut to Zero, no se recomienda utilizarlo en pendientes superiores a 15°.

DATOS TÉCNICOS PARA 4G-GNSS

Sistema Mundial de Navegación por Satélite (GNSS)	GPS / GLONASS / BDS / Galileo / SBAS
Frecuencia nominal	1559-1610 MHz 1215-1300 MHz 1164-1215 MHz

DATOS TÉCNICOS PARA 4G

Banda	Tx(Mhz)	Rx(Mhz)	Potencia de salida de RF (Max)
GSM900(B8)	880-915	925-960	33dBm
DCS1800(B3)	1710-1785	1805-1880	30dBm
WCDMA B1	1920-1980	2110-2170	24dBm
WCDMA B8	880-915	925-960	24dBm
WCDMA Band V	824-849	869-894	24dBm
LTE-FDD B1	1920-1980	2110-2170	23dBm
LTE-FDD B3	1710-1785	1805-1880	23dBm
LTE-FDD B7	2500-2570	2620-2690	23dBm
LTE-FDD B8	880-915	925-960	23dBm
LTE-FDD B20	832-862	791-821	23dBm
LTE-FDD B28	703-748	758-803	23dBm
LTE-TDD B38	2570-2620	2570-2620	23dBm
LTE-TDD B40	2300-2400	2300-2400	23dBm
LTE Band 3	1710-1785	1805-1880	23dBm
LTE Band 41	2535-2675	2535-2675	23dBm

ACCESORIOS

	WR340
Tornillos	8
Torre de carga	1
Placa base de carga	1
Llave allen	1
Cuchillas de corte de repuesto	8
Línea prohibida	6 m
Estacas para césped	10
Módulo Cut to Zero	1
FiatLux	1
Paquete de baterías (WA3675)	1
Fuente de alimentación (WA3805)	1

Le recomendamos que adquiera los accesorios originales que figuran en la lista anterior en la misma tienda donde compró la herramienta. Consulte el embalaje de los accesorios para obtener más detalles. El personal de la tienda puede ayudarle y aconsejarle.

USO PRETENDIDO

El producto de jardinería está destinado para el corte doméstico del césped. Está diseñado para cortar el césped con frecuencia, mantener un césped más saludable y de mejor aspecto que nunca antes. En dependencia del tamaño de su césped, su cortacésped podría programarse para que funcione en cualquier momento o frecuencia. No está destinado para cavar, barrer ni eliminar la nieve.

MANTENIMIENTO

Su cortacésped trabaja duro y necesita limpieza y revisión de vez en cuando. Esta sección de nuestra guía le ayuda a mantener su cortacésped en buen estado para que pueda durar años sin problemas. Aquí le explicamos cómo cuidar su cortacésped. Apague el cortacésped antes de realizar cualquier mantenimiento o reparación.

1. Mantenlo afilado

¡ATENCIÓN! Antes de limpiar, ajustar, o sustituir las cuchillas, **APAGUE su cortacésped y retire la batería. Siempre use guantes de protección.**

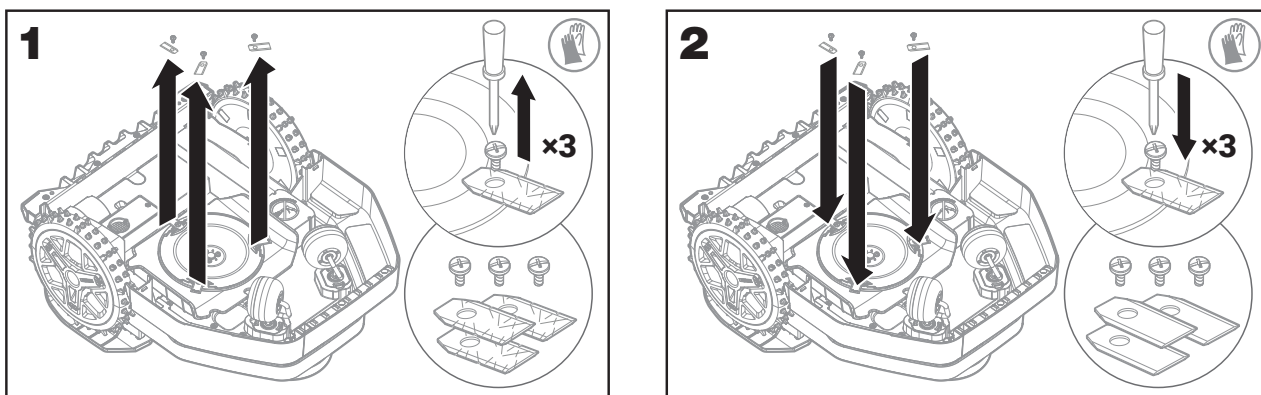
Sustitución de las cuchillas (ver Fig. 1 - 2)

Retire la batería y voltee suavemente el cortacésped.

Saque los tornillos de las cuchillas con un destornillador.

Atornille firmemente las nuevas cuchillas.

Precaución: Si es necesario sustituir el conjunto de cuchillas Cut to Zero, siga el mismo procedimiento de sustitución que para la cuchilla de la unidad principal. Si necesita sustituir la cuchilla situada en la parte interior, cerca de la cubierta protectora, simplemente gire el disco de la cuchilla para girar la cuchilla interior hacia fuera y poder extraerla. Siempre use guantes protectores y tome las precauciones de seguridad adecuadas para evitar lesiones.



¡Atención: Al instalar cuchillas nuevas, asegúrese de reemplazar todas las cuchillas.

Utilice siempre tornillos nuevos al instalar la cuchilla. Esto es importante para asegurar que la cuchilla mantenga y equilibre el disco rotación de la cuchilla. El no usar tornillos nuevos puede causar consecuencias graves.

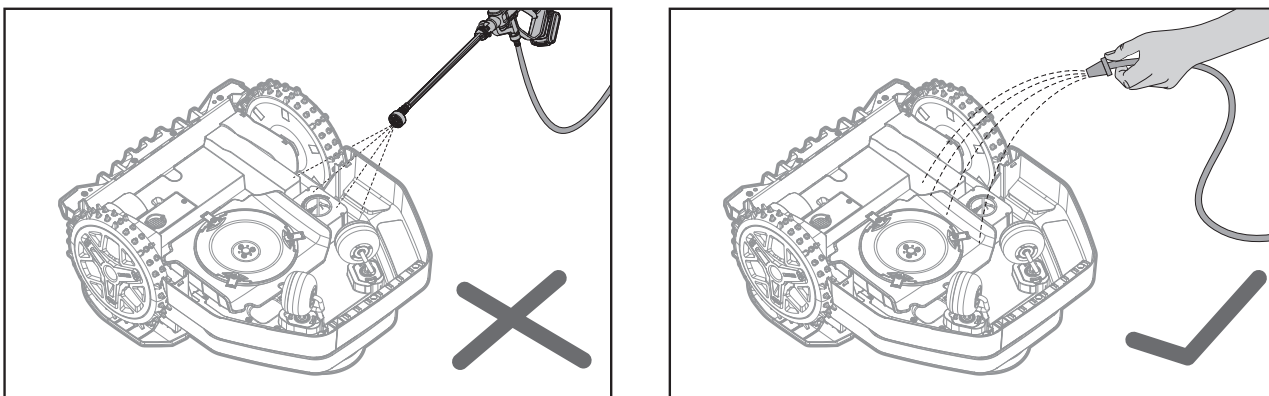
Importante: Después de atornillar la cuchilla en el disco de cuchillas, asegúrese de que la cuchilla pueda girar libremente.

2. Mantenlo limpio

Su cortacésped debe limpiarse habitualmente. Esto ayuda a mantenerlo en buenas condiciones, sobre todo eliminando la suciedad, los residuos y la acumulación de recortes del césped de la siega diaria. Apague su cortacésped antes de limpiarlo. Para mayor seguridad, retire la batería.

¡Atención: Asegúrese de que la tapa de la batería esté cerrada cuando lave su cortacésped.

¡ATENCIÓN! ¡SU CORTACÉSPED solo se puede lavar con una manguera! NO utilice una hidrolavadora de alta presión para la limpieza de su cortacésped. El agua a alta presión puede penetrar en las juntas y dañar las piezas electrónicas y mecánicas.



3. Mantén cargado al equipo

El componente principal del cortacésped es su batería Li-Ion Worx PowerShare de 20 V.

A. Para almacenar correctamente la batería, asegúrese de que esté completamente cargada y guárdela en un lugar fresco y seco.

B. La temperatura recomendada para el funcionamiento del cortacésped es de entre 0 y 55 °C.

C. La vida útil de la batería de la cortadora de césped depende de las horas de uso y la duración del uso diario durante la temporada de corte.

4. Mantenlo actualizado

La cortadora de césped mejora constantemente y hay nuevas versiones de firmware disponibles de forma gratuita. Siempre mantenga el firmware de su cortacésped actualizado para aprovechar al máximo su cortacésped.

4.1 Compruebe la versión actual del firmware del cortacésped en la aplicación:

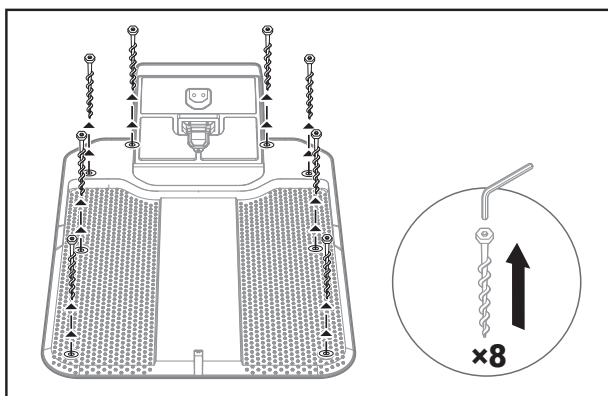
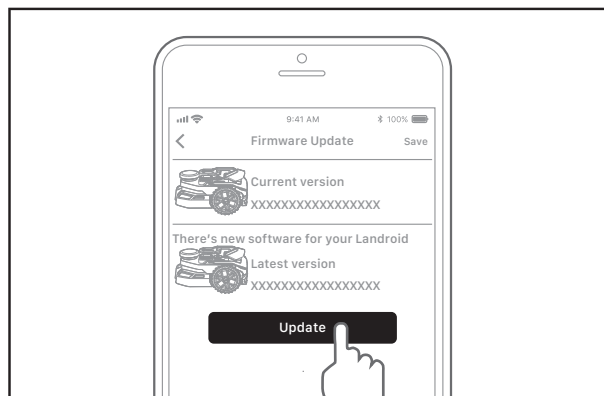
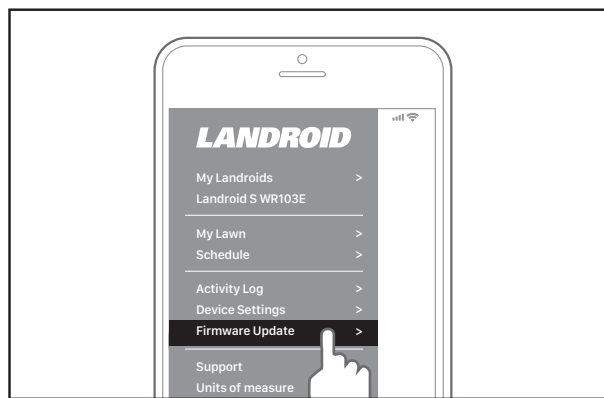
- A. Toque el ícono de la barra lateral en la esquina superior izquierda.
- B. Seleccione "Actualización de firmware".
- C. La pantalla mostrará "Versión actual". El pequeño texto gris que aparece debajo indica la versión del firmware actualmente instalada.

4.2 Actualiza el firmware del cortacésped mediante la aplicación:

- A. Toque el ícono de la barra lateral en la esquina superior izquierda.
- B. Seleccione "Actualización de firmware".
- C. Seleccione "Actualizar". La aplicación enviará una solicitud de actualización del firmware. Si el cortacésped está correctamente conectado a la red Wi-Fi, la actualización se iniciará. Por favor, espere pacientemente hasta que finalice el proceso.

5. Para retirar la estación de carga

Si la estación de carga necesita reparación o debe almacenarse durante un período prolongado, puede retirarse por completo.







MENSAJES DE ERROR

A veces las cosas pueden salir mal. Afortunadamente, la cortadora de césped es lo suficientemente inteligente como para avisarte si encuentra un problema, para que puedas solucionarlo. En caso de dudas, visita nuestro sitio web, donde encontrarás videos útiles y más ayuda.

MESSAGE	CAUSA	ACTION
-EE-	Error desconocido (siglas en inglés)	Por favor, vuelva a arrancar el cortacésped.
-F01-	Retardo por lluvia	La cortadora de césped está en estado de retardo por lluvia.
-F02-	Batería baja	La cortacésped tiene un nivel bajo de batería.
-E01-	Salir del área de trabajo	Lleve el cortacésped a la estación de carga para recargarlo y, a continuación, vuelva a ponerlo en marcha.
-E02-	Fallo del motor de las ruedas	Apague el cortacésped, déle la vuelta y compruebe si hay algo bloqueando las ruedas; si encuentra algo, retírelo.
-E03-	Fallo del motor de la cuchilla	Apague el cortacésped y voltéelo. Póngase guantes de seguridad para evitar lesiones y compruebe si hay algo bloqueando el disco de la cuchilla. Si es así, retírelo.
-E05-	Cortacésped levantado	Coloque el cortacésped en un terreno nivelado, presione START y luego OK para reanudar el funcionamiento normal.
-E06-	Cortacésped boca abajo	
-E07-	Error de carga de la batería	La temperatura de la batería demasiado baja: Cuando la temperatura exterior es inferior a 0 °C, el funcionamiento no es adecuado y el cortacésped dejará de cargarse. Guarde el cortacésped en interiores. La fuente de alimentación está averiada: póngase en contacto con el servicio de atención al cliente.

MESSAGE	CAUSA	ACTION
-E08-	El cortacésped no encuentra la estación de carga	La estación de carga no está instalada en un lugar adecuado: puede estar rodeada de obstáculos o colocada sobre un terreno irregular. Compruebe el lugar de instalación.
-E09-	No se detectó el mapa	Compruebe si se ha creado un mapa para esta zona. Si no es así, cree un mapa en la aplicación y asegúrese de hacer clic en "Guardar" para completar el proceso.
-E11-	La temperatura de la batería está fuera de rango	La temperatura de la batería es demasiado alta. Cuando la temperatura descienda a 55 °C, la cortadora volverá a funcionar con normalidad.
-E12-	La cámara está cubierta.	Limpie la tapa de la cámara. Compruebe si la tapa decorativa de la cortadora de césped está levantada; si es así, vuelva a instalarla correctamente.
-E14-	Luz insuficiente	En la programación, configure el cortacésped para que regrese a la estación de carga antes del anochecer, o compre una luz FiatLux en una tienda.
-E16-	La cortadora no pudo transferirse entre zonas.	Compruebe si hay algún obstáculo en el paso y retírelo si lo hay. Si el problema persiste, vuelva a crear el pasaje en el mapa.

NOTAS



- A. Antes de encender la máquina, asegúrese siempre de que el cortacésped se encuentre dentro de su área de trabajo.
- B. Si por cualquier motivo (por ejemplo, una fiesta, niños jugando...) desea colocar su cortacésped en la estación de carga: presione  y luego . El cortacésped irá a su estación y permanecerá allí. Tenga en cuenta que el cortacésped esperará hasta la próxima sesión de corte programada. Si quiere reiniciarlo en cualquier momento, presione  y luego  para arrancar el cortacésped.
- C. Si se produce un error repetidamente en la misma zona de su pasto, es posible que tenga un problema con la zona de trabajo, así que consulte las instrucciones de instalación y compruebe que su configuración es correcta.
- D. Si su césped está dividido en dos zonas separadas, conectadas por un pasillo de menos de 1 m de ancho, y una de ellas no dispone de estación de carga: cuando el cortacésped se quede sin batería, llévelo manualmente a la estación de carga.
- E. Si el cortacésped funciona de forma anómala de vez en cuando, reinicielo apagándolo y retirando la batería durante 30 segundos, y luego vuelva a encenderlo. Si el problema no se puede resolver, póngase en contacto con nuestro Servicio de Atención al Cliente para obtener ayuda.

SOLUCIÓN DE PROBLEMAS

Si su cortacésped no funciona correctamente, siga la guía de resolución de problemas que se indica a continuación. Escanee el código QR para obtener más soluciones a problemas.



SÍNTOMA	CAUSA	SOLUCIÓN
El cortacésped no encuentra la estación de carga.	Hay obstáculos delante de la estación de carga.	Retire los obstáculos situados a menos de 2 m frente a la estación de carga.
	El código QR está protegido.	Asegúrate de que el código QR sea claro y de que no haya nada directamente sobre él o encima de él.
	La estación de carga se ha instalado en una zona sombreada.	Reubique la estación de carga en un lugar sin paredes altas ni árboles a ambos lados que puedan causar sombra.
La zona secundaria no se corta.	Mapeo incorrecto	Elimine y vuelva a mapear el lugar.
	Hay obstáculos en el lugar.	Retire los obstáculos.
El cortacésped no está funcionando en el horario correcto.	El reloj no está configurado con la hora correcta.	Mantenga el cortacésped conectado a la red Wi-Fi y, a continuación, restablezca el programa de trabajo.
	La tarea de siega anterior no se completó.	El cortacésped continuará la tarea inconclusa.
El cortacésped se apaga al acoplarse a la base de carga.	El cortacésped no se carga debido a la protección contra sobrecalentamiento y se apaga.	Coloque la estación de carga en una zona sombreada o espere hasta que la temperatura haya bajado.
	Mala conexión.	Compruebe la luz LED del cargador. Compruebe la conexión entre los pines de contacto situados en el cargador y la regleta de carga.

SÍNTOMA	CAUSA	SOLUCIÓN
El cortacésped no se conecta a Internet.	Compruebe que su router tenga la configuración correcta.	Asegúrese de que su router sea de 2.4 GHz. Si su router tiene dos configuraciones, active la banda de 2.4 GHz. Asegúrese de que su router esté configurado en modo 802.11 y que la configuración inalámbrica sea mixta b/g/n. Asegúrese de que su router tenga habilitada la función de transmisión SSID cuando conecte el cortacésped con la aplicación. Puede cerrarlo después de conectarse con éxito. Asegúrese de que la función DHCP esté habilitada. Si ha cambiado su red Wi-Fi, debe conectar el cortacésped a la nueva red.
	Compruebe si el router está desconectado o si se ha cambiado el SSID de la red Wi-Fi.	Asegúrese de que el router esté conectado y que el SSID de la red Wi-Fi sea correcto.
El firmware no se actualiza.	La señal Wi-Fi es débil.	Acérquese al router para que la señal mejore.
	El nivel de la batería es inferior al 50 %.	Coloque el cortacésped en la estación de carga o asegúrese de que el nivel de la batería sea superior al 50 %.
El indicador de la estación de carga  se muestra en azul continuo	La estación de carga ha perdido la conexión con el cortacésped.	Compruebe si el cortacésped está demasiado lejos de la estación de carga. Si el cortacésped se desconecta con frecuencia en un lugar determinado, ajuste la ubicación de la estación de carga según las instrucciones del manual de inicio rápido.
El indicador de la estación de carga  parpadea en verde y azul de forma alterna	La estación de carga no está conectada, o aún no está conectada, a la red Wi-Fi doméstica.	Asegúrese de que el cortacésped se haya emparejado correctamente con la aplicación. Si el emparejamiento se ha completado, compruebe la intensidad de la señal Wi-Fi en su smartphone. Si la señal es débil, es posible que la estación de carga esté demasiado lejos del router. 1. Vuelva a colocar la estación de carga siguiendo las instrucciones del manual de inicio rápido. 2. Acerque el router a la estación de carga. 3. Compre un amplificador de señal Wi-Fi.
Cuando el cortacésped está equipado con el módulo Cut to Zero, su carcasa puede atascarse con frecuencia en obstáculos elevados.	La altura de corte seleccionada en Cut to Zero es demasiado baja.	Compruebe el ajuste de altura de Cut to Zero y ajústelo un nivel más alto.

Modo de bajo consumo (modo UEC)

Descripción:

El modo UEC (Ultra Energy Conservation, ultraconservación de energía) es un modo de baja potencia en el que todos los módulos no esenciales están apagados. Se reserva un orificio de 2 mm debajo de los contactos de carga de la estación de carga para activar o desactivar este modo. Utilice una herramienta con punta y presione o suelte el interruptor interno a través de este orificio para activar o desactivar el modo de bajo consumo.

Cómo activar el modo UEC:

Inserte una herramienta con punta en el orificio de 2 mm situado debajo de los contactos de carga de la estación de carga. Presione suavemente el interruptor interno hasta que sobresalga. Esto activará el modo UEC, desactivando todos los módulos no esenciales para minimizar el consumo de energía.

Comportamiento de la carga en modo UEC:

Cuando el modo UEC está activado y el cable de carga está conectado, todos los componentes que consumen energía se apagarán, excepto la placa de alimentación, la batería y el cargador, con el fin de ahorrar energía.

Salir del modo UEC durante la carga:

Para salir del modo UEC, utilice la misma herramienta con punta y pulse de nuevo el interruptor interno que se encuentra dentro del orificio. Una vez pulsado el interruptor, el sistema volverá a funcionar con normalidad y todos los módulos se encenderán.



DECLARACIÓN DE GARANTÍA PARA Worx Landroid Vision Cloud

Worx ofrece un período de garantía de 3 años para el robot cortacésped Worx Landroid Vision Cloud a partir de la fecha de compra, excepto para los accesorios y consumibles. Si su Worx Landroid Vision Cloud se daña debido a materiales o mano de obra defectuosos dentro de un período de garantía limitada a partir de la fecha de compra, le garantizamos:

- Reemplazar o reparar todas las piezas defectuosas, sin cargo, o,
- Reparar el producto de forma gratuita, o,
- Reemplazar la unidad por una unidad nueva o reacondicionada, sin cargo.

La garantía limitada está sujeta a las siguientes condiciones:

- Los paquetes de baterías están garantizados sólo por un período de 1 año, independientemente del registro en línea. (La garantía es sólo para los paquetes de baterías originales suministrados con el cortacésped robótico o el mismo número de modelo de paquetes de baterías originales, por favor, tenga en cuenta que otros paquetes de baterías están excluidos de la garantía).
- La herramienta no se ha usado incorrecta, abusiva o negligentemente, ni ha sido alterada, modificada o reparada por alguien que no es un centro autorizado de servicios.
- Sólo se han utilizado accesorios y piezas originales de Worx Landroid Vision Cloud en o con el producto.
- La herramienta ha sido sometida a un desgaste normal.
- La herramienta no se ha utilizado con fines comerciales o profesionales.
- La herramienta no se ha utilizado con fines de alquiler.
- La herramienta no ha sufrido daños por objetos extraños, sustancias o accidentes.

Su garantía limitada no cubre:

- Componentes sujetos a desgaste natural causado por el uso de acuerdo con las instrucciones de operación.
- Quedan excluidos de esta garantía el mantenimiento/manejo inadecuado o la sobrecarga, así como los accesorios como cuchillas y ruedas, etc.
- Daños, mal funcionamiento o fallas que resulten de cualquier método de limpieza que no sea la limpieza del producto con agua y manguera, por ejemplo, lavadora a alta presión, vapor y manguera instalada con cualquier boquilla.

Para reclamos de garantía, contacte a la línea de asistencia de WORX. Deberá presentar un documento de registro y una prueba de compra en forma de recibo válido que muestre la fecha y el lugar de la compra.

Línea de asistencia de Worx Landroid Vision Cloud 1-800-727-6260

Esta declaración de garantía no reemplaza sus derechos legales sino que es adicional a ellos. Esta garantía no es de aplicación a los accesorios provistos con la herramienta. Esta garantía se aplica solo al comprador original y es intransferible. Todas las reparaciones y herramientas de reemplazo estarán cubiertas por la garantía limitada por el resto del período de garantía desde la fecha de la compra original.

Registre su herramienta escaneando el código QR que aparece a continuación. Este registro le permitirá gestionar y consultar la garantía de su producto.

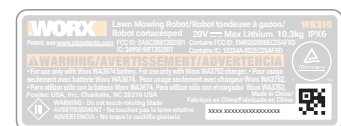
Garantía de satisfacción por 30 días

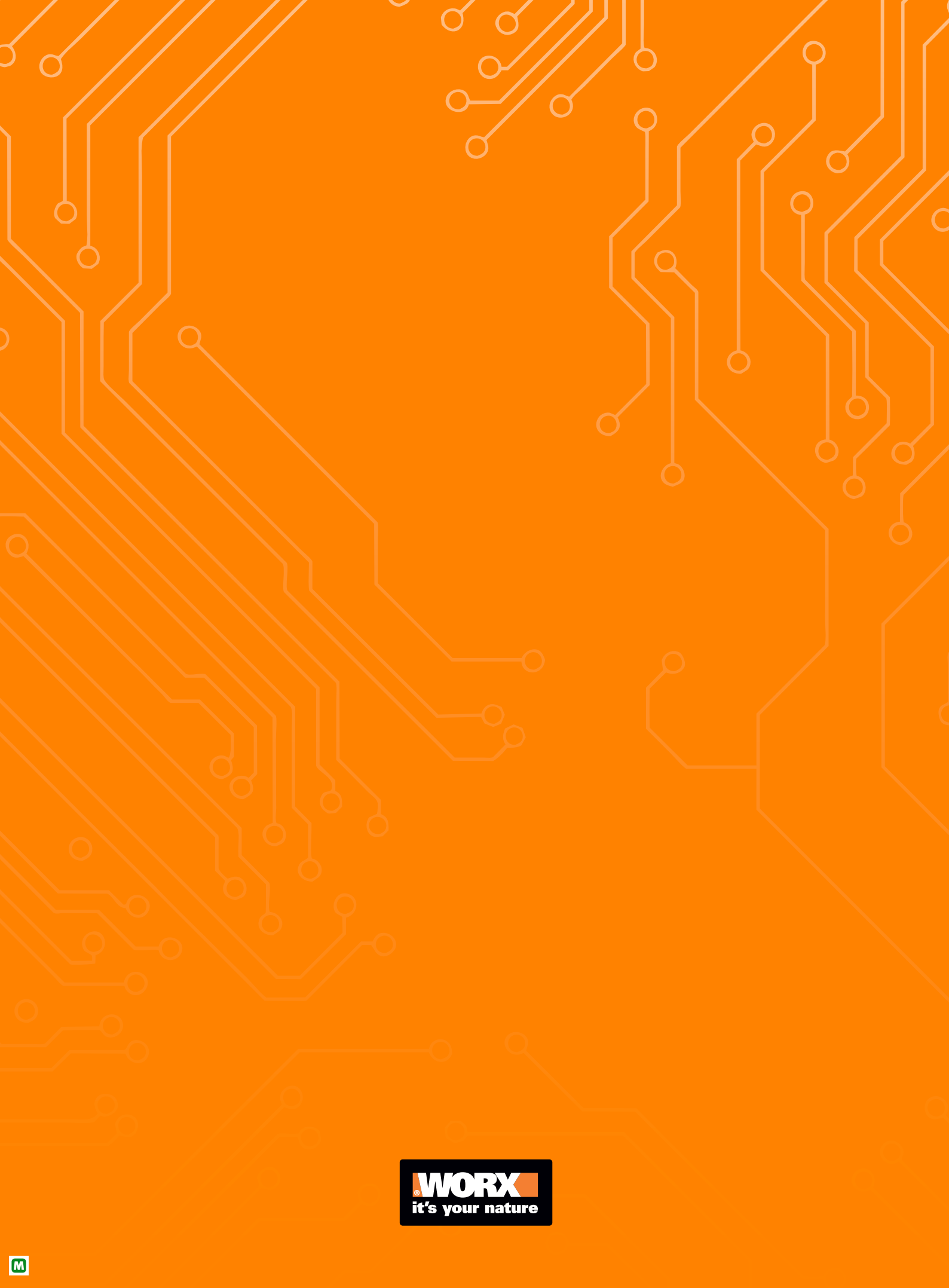
Si no está completamente satisfecho con el rendimiento de su herramienta WORX, sólo tiene que devolverla en un plazo de 30 días. Debe devolverla en su embalaje original completo, tal y como la compró, incluidos los accesorios y cualquier artículo suministrado gratuitamente al punto de compra para obtener un reembolso completo o un cambio. Se le exigirá un recibo válido que indique la fecha y el lugar de compra.

Deberá presentar una prueba de registro en línea y una prueba de compra en forma de recibo válido que muestre la fecha y el lugar de la compra.

Cuando llame a la línea de asistencia, tenga a mano el número de modelo y el número de serie de WORX. Esto ayudará al servicio de atención al cliente de WORX a la hora de atender su llamada.

¿Cómo encontrar el número de modelo y el número de serie? Vea el siguiente ejemplo.





WORX
it's your nature

