

SONANCE

PROFESSIONAL SERIES

PS-60XF 70V/100V Transformer Manual

BOX CONTENTS

- (1) Professional Series 60 Watt 70V/100V Transformer
- (1) Installation Manual

DESCRIPTION

The Sonance Professional Series PS-60XF Transformer is a line matching transformer that matches the impedance of any 8 Ohm Sonance speaker for 70V/100V system configurations. The PS-60XF has multiple input taps for different wattage requirements. Use this product in projects where a Sonance 8 Ohm speaker is desired but the system is comprised of other 70V/100V speakers on a 70V/100V amplifier. These system configurations are typical of commercial applications or residential spaces where many speakers are connected to a single amplifier for coverage in large areas or where speaker placement is over a great distance, requiring long speaker wire runs. 70 volt systems are great for commercial applications such as restaurants, hospitality, and amusement parks but are also frequently used in residential outdoor applications. They are ideal for covering large areas and maintaining a consistent volume level.

TECHNICAL SPECIFICATIONS

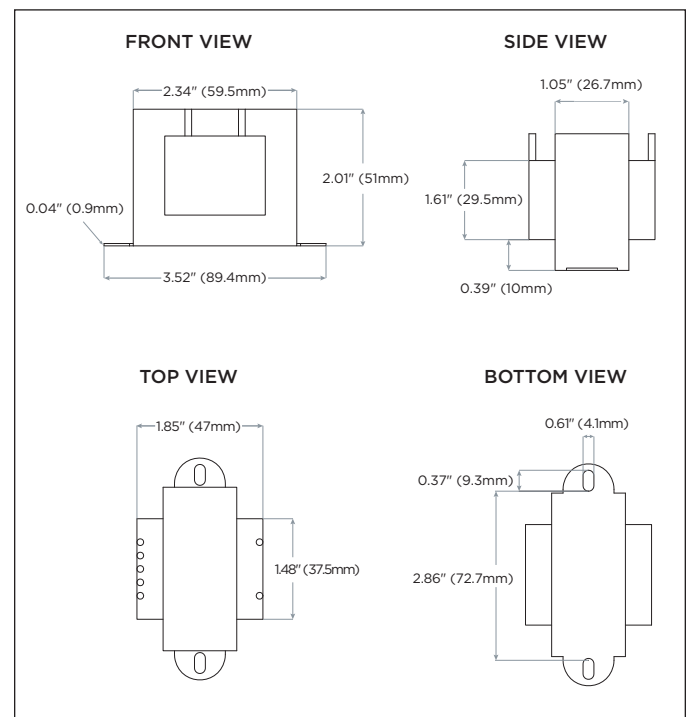
Primary Voltage:	70V
Power Rating:	60W
Primary Taps (70V):	7.5W, 15W, 30W, 60W
100V Taps:	15W, 30W, 60W, NC
Secondary Impedance:	6 Ohms
Insertion Loss:	1.8dB
Frequency Response:	20Hz - 17kHz +/- 3dB
Lead Length:	6"
Weight:	1.19 lbs
Mounting Dimensions:	3.52" W x 1.85" D x 2.01" H (89.4mm x 47mm x 51mm)
Mounting Method:	Surface mounted using built in mounting holes (hardware not included)

INSTALLATION INSTRUCTIONS

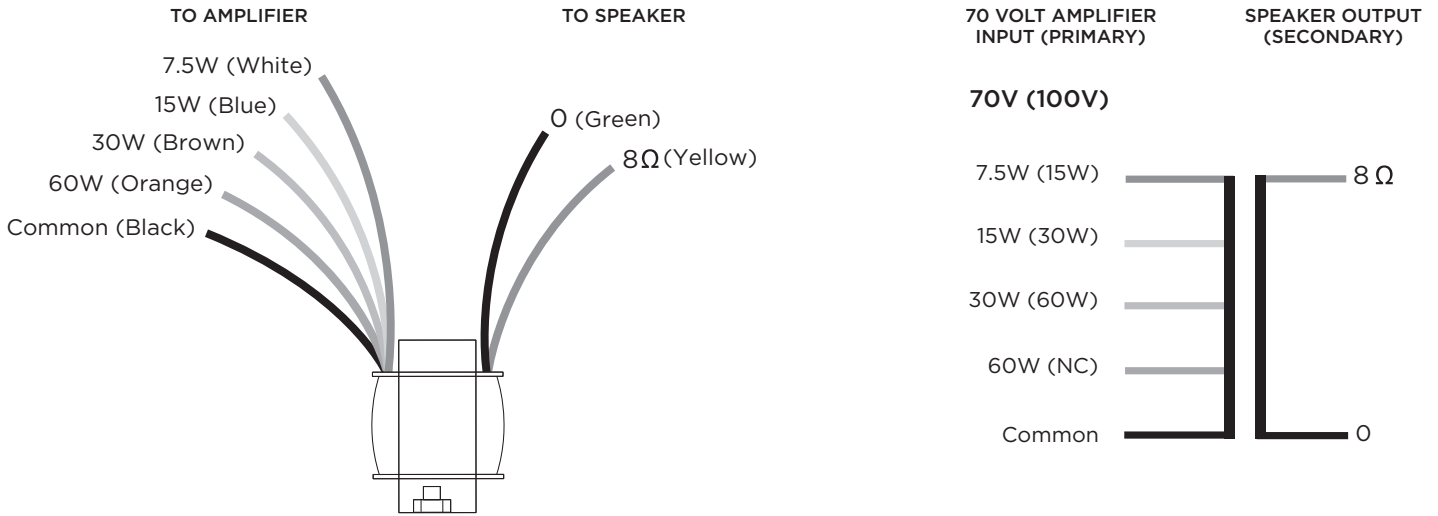
1. Review the wiring diagram on page 2 to determine the desired wattage and wire taps for your speaker installation.
2. Once the desired wattage has been selected, use electrical tape or wire nuts to conceal the exposed ends of the remaining, unused wire selections labeled "To Amplifier". DO NOT conceal the black (-) common wire. This will be used in addition to your selected color wire.

NOTE: BE SURE TO COVER EACH OF THE UNUSED "TO AMPLIFIER" WIRES TO PROTECT THE SPEAKER FROM POSSIBLE DAMAGE FROM HOT WIRES TOUCHING THE TRANSFORMER OR OTHER METAL SURFACE.

3. Connect the green and yellow wires labeled "To Speaker" to your 8 Ohm Sonance speaker, connecting the green wire to (-) and the yellow wire to (+).
4. Secure the PS-60XF transformer to the equipment location or speaker location by using bolts or screws (not supplied) through the mounting holes of the transformer.
5. Use the selected wire tap and the Common (black) wire to connect to your 70V/100V amplifier, connecting the Common (black) wire to the negative (-) terminal, and the other color wire to the positive (+) terminal.
6. Once all four connections are made (two to the speaker and two to the amplifier), proceed to connecting the remaining speakers in the system to the amplifier and configure as you would in any typical 70V/100V system.



WIRING DIAGRAM AND TAP WIRES



LIMITED FIVE (5) YEAR WARRANTY

SONANCE warrants to the first end-user purchaser that this Sonance-brand product (PS-60XF), when purchased from an authorized SONANCE Dealer/Distributor, will be free from defective workmanship and materials for the period stated above. SONANCE will at its option and expense during the warranty period, either repair the defect or replace the Product with a new or remanufactured Product or a reasonable equivalent.

EXCLUSIONS

TO THE EXTENT PERMITTED BY LAW, THE WARRANTY SET FORTH ABOVE IS IN LIEU OF, AND EXCLUSIVE OF, ALL OTHER WARRANTIES, EXPRESS OR IMPLIED, AND IS THE SOLE AND EXCLUSIVE WARRANTY PROVIDED BY SONANCE. ALL OTHER EXPRESS AND IMPLIED WARRANTIES, INCLUDING THE IMPLIED WARRANTIES OF MERCHANTABILITY, IMPLIED WARRANTY OF FITNESS FOR USE, AND IMPLIED WARRANTY OF FITNESS FOR A PARTICULAR PURPOSE ARE SPECIFICALLY EXCLUDED.

No one is authorized to make or modify any warranties on behalf of Sonance. The warranty stated above is the sole and exclusive remedy and Sonance's performance shall constitute full and final satisfaction of all obligations, liabilities and claims with respect to the Product.

IN ANY EVENT, SONANCE SHALL NOT BE LIABLE FOR CONSEQUENTIAL, INCIDENTAL, ECONOMIC, PROPERTY, BODILY INJURY, OR PERSONAL INJURY DAMAGES ARISING FROM THE PRODUCT, ANY BREACH OF THIS WARRANTY OR OTHERWISE.

This warranty statement gives you specific legal rights, and you may have other rights which vary from state to state. Some states do not allow the exclusion of implied warranties or limitations of remedies, so the above exclusions and limitations may not apply. If your state does not allow disclaimer of implied warranties, the duration of such implied warranties is limited to period of Sonance's express warranty.

Your Product Model and Description: PS-60XF 70V Transformer

Warranty Period for this Product: Five (5) years from the date on the original sales receipt or invoice or other satisfactory proof of purchase.

Additional Limitations and Exclusions from Warranty Coverage: The warranty described above is non-transferable, applies only to the initial installation of the Product, does not include installation of any repaired or replaced Product, does not include damage to allied or associated equipment which may result for any reason from use with this Product, and does not include labor or parts caused by accident, disaster, negligence, improper installation, misuse (e.g. overdriving the amplifier or speaker, excessive heat, cold or humidity), or from service or repair which has not been authorized by Sonance. Obtaining Authorized Service: To qualify for the warranty, you must contact your authorized Sonance Dealer/Installer or call Sonance Customer Service at (949) 492-7777 within the warranty period, must obtain a return merchandise number (RMA), and must deliver the Product to Sonance shipping prepaid during the warranty period, together with the original sales receipt, or invoice or other satisfactory proof of purchase.

SONANCE
BEYOND SOUND

©2019 Sonance. All rights reserved. Sonance is a registered trademarks of Dana Innovations. Due to continuous product improvement, all features and specifications are subject to change without notice. For the latest Sonance product specification information visit our website: www.sonance.com

SONANCE • 991 Calle Amanecer • San Clemente, CA 92673 USA
PHONE: (949) 492-7777 • FAX: (949) 361-5151 • Technical Support: (949) 492-7777 • www.sonance.com

12.03.2019