



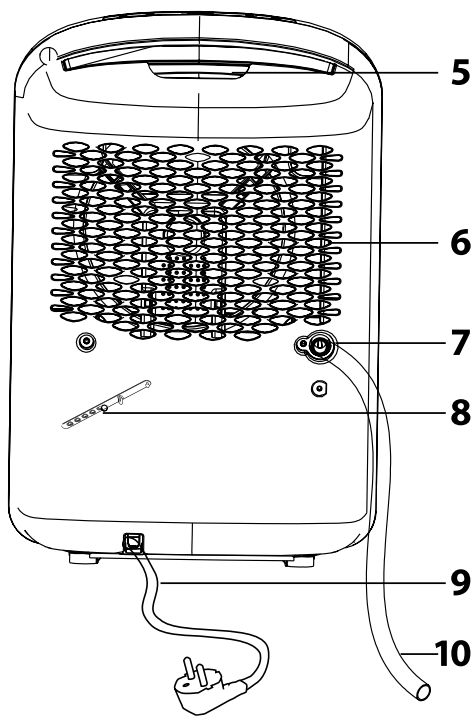
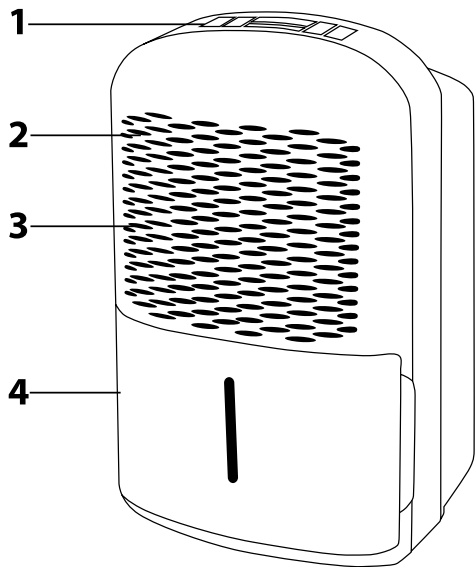
## EN ■ Dehumidifier

### **READ CAREFULLY AND STORE FOR FUTURE USE.**

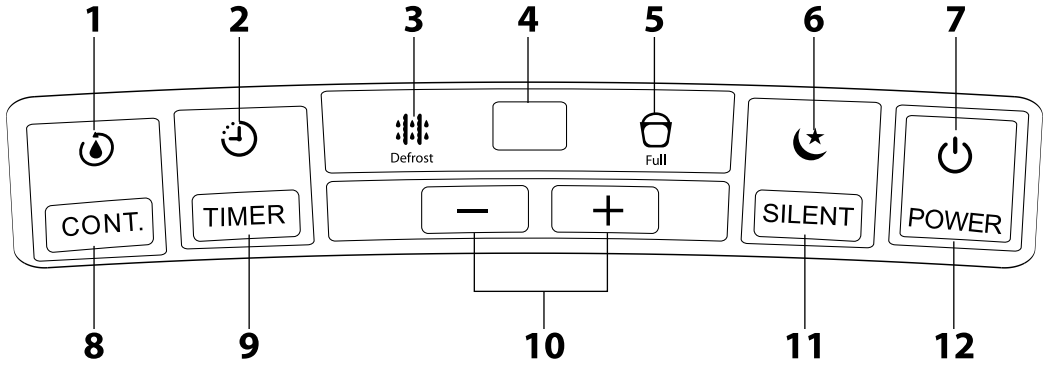
- This appliance may be used by children 8 years of age and older and by persons with physical or mental impairments or by inexperienced persons, if they are properly supervised or have been informed about how to use the product in a safe manner and understand the potential dangers. Children must not play with the appliance. Cleaning and maintenance performed by the user must not be performed by unsupervised children.
- The appliance is designed for use at home, in the office and similar types of areas. It is not intended for commercial purposes.
- Do not use the appliance in rooms where flammable chemicals or explosives are stored, in industrial environments or outdoors.
- Do not place the appliance in the vicinity of an open flame or appliances that are sources of heat.
- Always install the appliance on an even, dry and stable surface so that it does not fall over.
- Do not store any item on top of the appliance.
- Before connecting the appliance to a power socket, check that the nominal voltage on its rating label matches the voltage in the power socket.
- Connect the appliance only to a properly grounded power socket. Do not use an extension cord or a multi-socket adapter. If necessary, an extension cord with a power rating appropriate for this appliance may be used.
- The power socket to which the appliance is connected must be freely accessible so that it is possible to quickly disconnect the power cord from the power source if necessary.
- If the appliance is equipped with travel wheels, pay increased attention when handling it so that it does not fall down stairs or travel down from sloped areas. To prevent the appliance from falling over, do not attempt to travel over carpet with the travel wheels.
- Do not touch the appliance with wet hands when it is connected to a power socket.
- Do not use the appliance in the vicinity of a shower, pool, etc., do not spray it with water or any other liquid or submerge it in water or any another liquid.
- Do not cover or insert anything into the air inlet or outlet openings. Otherwise, this could damage the appliance.
- During operation there needs to be sufficient space for air circulation as specified in more detail in chapter Installation location of the appliance.

- To turn the appliance on or off, always use the appropriate buttons on the control panel. Do not turn off the appliance by disconnecting the power cord from the power socket.
- Do not use the appliance without a properly installed air filter and condensate tank.
- Do not remove the condensate tank while the appliance is running.
- Always turn off the appliance and disconnect it from the power socket before assembling or disassembling it, when not using it and before moving or cleaning it.
- To avoid damaging the compressor, move, store and transport the appliance in an upright position.
- Do not attempt to remove the outer case of the appliance.
- Disconnect the appliance from the power socket by pulling on the plug, never pulling on the power cord. Otherwise, this could damage the power cord or the socket.
- If the power cord is damaged, it must be replaced by an authorised service centre or by another similarly qualified person, this will prevent the creation of a dangerous situation. It is forbidden to use the appliance if it has a damaged power cord.
- Do not use the appliance if it is not working correctly, if it has been damaged or has been submerged in water. To avoid the danger of injury by electrical shock, do not repair the appliance yourself or make any adjustments to it. Have all repairs of the appliance performed at an authorised service centre. By tampering with the appliance, you risk voiding your legal rights arising from unsatisfactory performance or quality warranty.

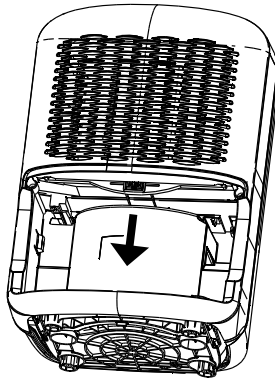
**A**



**B**



**C**



# Dehumidifier

## User's manual

- Prior to using this appliance, please read the user's manual thoroughly, even in cases, when one has already familiarised themselves with previous use of similar types of appliances. Only use the appliance in the manner described in this user's manual. Keep this user's manual in a safe place where it can be easily retrieved for future use.
- We recommend saving the original cardboard box, packaging material, purchase receipt and responsibility statement of the vendor or warranty card for at least the duration of the legal liability for unsatisfactory performance or quality. In the event of transportation, we recommend that you pack the appliance in the original box from the manufacturer.

### DESCRIPTION OF THE APPLIANCE

- |  |  |
|--|--|
| <b>A1</b> Control panel  | <b>A6</b> Air outlet grill   |
| <b>A2</b> Air inlet grill  | <b>A7</b> Drain hose connection outlet is fitted with a rubber plug. |
| <b>A3</b> Washable air filter is installed behind the grill.                 | <b>A8</b> Power cord storage strap                                   |
| <b>A4</b> 2-litre removable condensate tank is fitted with a viewing window. | <b>A9</b> Power cord   |
| <b>A5</b> Integrated handle  | <b>A10</b> Condensate drain hose                                     |

### DESCRIPTION OF THE CONTROL PANEL

- |  |   |
|--|---|
| <b>B1</b> Maximum dehumidification mode setting indicator  | <b>B8</b> CONT. button<br>it is used to turn the maximum dehumidification mode on and off.  |
| <b>B2</b> Timer setting indicator  | <b>B9</b> TIMER button<br>it serves to set the automatic start or shut off timer. It is used in combination with buttons <b>B10</b> .   |
| <b>B3</b> Automatic defrosting indicator   | <b>B10</b> ± button<br>serves to set humidity in the range 35 to 85 % RH (relative humidity). In combination with button <b>B9</b> it serves to set the time of the automatic start and shut off in the range from 0 to 24 hours. |
| <b>B4</b> LED display shows humidity setting in %, automatic shut off or turn on time, current humidity in the room in % (±5 %), error messages AS, ES, EC or message P2, that the condensate tank is full or removed or incorrectly installed in its place. | <b>B11</b> SILENT button<br>serves to set a low or high fan speed.  |
| <b>B5</b> Full condensate tank indicator it is lit when the tank needs to be emptied, when it is not installed in its place or when it is installed incorrectly.   | <b>B12</b> POWER button<br>serves to turn the appliance on and off.   |
| <b>B6</b> Low fan speed setting indicator  |   |
| <b>B7</b> Power On indicator   |   |

### INSTALLATION LOCATION OF THE APPLIANCE

- Locate the appliance on an even, dry and stable surface within reach of a properly grounded power socket.
- To ensure sufficient air circulation, leave a clearance of at least 20 cm on all the sides of the appliance. Leave a clearance of at least 40 cm above the appliance.
- Do not use the appliance in the vicinity of a heater or another source of heat.
- This appliance is designed for dehumidifying rooms with an area of 16 to 31 m<sup>2</sup>.

### OPERATING THE APPLIANCE

- The dehumidifier is used for drying out, for example, flooded basements, rooms with an increased level of moisture, etc. Do not use it in areas where substances or items are stored requiring precise room temperature and humidity control.
- To achieve optimal effectiveness, close all the windows and doors in the room where the appliance is used. If necessary, allow the room to ventilate for a short time.
- Use the the appliance at an ambient temperature of 5 to 35 °C (41 to 95 °F). Do not use it at a temperature lower than 5 °C (41 °F). Otherwise, a frost layer may form on the vaporizer. This could affect the performance of the appliance.
- When a frost layer forms on the vaporizer, the compressor will stop to prevent its damage. The fan will continue to run until the frost layer melts away. In AUTO DEFROST mode, indicator **B3** will be lit.

### OPERATING THE APPLIANCE

- Make sure that the appliance is installed in a suitable place and that it is correctly assembled. Then connect it to a power socket.

#### 1. TURNING ON AND OFF

- To turn the appliance on and off, use button **B12**. When turned on for the first time, allow the dehumidifier to run for at least 24 hours.
- The appliance will turn off automatically when the required room humidity is reached, when the tank **A4** is full, when it is taken out or when incorrectly installed.
- If you turn the appliance off and then on again within a short time period, the appliance will start again within approximately 3 minutes. This function protects the compressor from damage.
- The appliance is equipped with an AUTO-RESTART function for the event of a power outage. This means that the settings are stored in the memory of the appliance and once power is restored, the appliance will automatically start again in the mode in which it was previously set.
- When you have finished using the appliance, always turn it off and disconnect it from the power socket.

#### 2. SETTING THE HUMIDITY

- Buttons **B10** can be used to set the required humidity in the range 35 to 85 % RH (relative humidity). Each time the button is pressed, the setting will change by 5%. The set humidity will be shown on the display **B4**. Humidity cannot be set in the maximum dehumidification power mode.

#### 3. SETTING THE MAXIMUM DEHUMIDIFICATION MODE

- Button **B8** it is used to turn the maximum dehumidification mode on and off. The dehumidifier will run in this mode until the tank **A4** is completely full, or unless the setting is changed prior to this. The activation of this mode is shown by indicator **B1**.

#### 4. SETTING THE FAN SPEED

- The button SILENT **B11** is used to set the fan speed. For maximum dehumidification speed, set the fan to the high speed. When quieter operation is preferred or when the humidity in the room declines, set a low fan speed.
- Low fan speed is shown by indicator **B6** being lit.

#### 5. SETTING THE AUTOMATIC START OR SHUT OFF TIMER

- When the appliance is turned on, press the TIMER button **B9** to set the automatic shut off timer. When the appliance is turned off, press the TIMER button **B9** to set the automatic start timer.
- To set the automatic shut off or start time, use buttons **B10**. Holding down the buttons will speed up the setting process. The set time will change in 0.5-hour intervals. After reaching 10 hours, the time will change in one-hour intervals.
- The set time is saved to memory within 5 seconds and the display **B4** returns to the humidity display mode.
- Turning the appliance on or off, or setting the time to zero will cancel the automatic timer function. The timer is also cancelled when the text P2 appears on the display **B4**.

### DRAINING CONDENSATE

- For draining condensate, either the tank **A4** or the drain hose **A10** may be used.

#### 1. DRAINING CONDENSATE INTO THE TANK

- Before turning on the appliance, check that the outlet **A7** is closed using the plug.
- During operation, condensate will accumulate in the tank **A4**. As soon as it fills up, the appliance will turn off automatically. Indicator **B5** will start flashing and the text P2 will appear on the display **B4**. Carefully slide out the tank **A4** and empty it out. The bottom of the tank **A4** is not level. For this reason, do not place the tank **A4** on the floor when it is filled with condensate. Otherwise, this could result in the tank **A4** tipping over. After emptying the tank **A4**, put it back in its place. The appliance will automatically resume operation.



#### Note:

When removing the tank **A4**, proceed carefully so as not to drop it and not to damage the internal parts of the dehumidifier.

#### 2. CONTINUOUS CONDENSATE DRAINING VIA THE DRAIN HOSE

- For continuous condensate draining, remove the rubber plug from the outlet **A7**. Carefully store the plug for future use.
- Attach the included drain hose **A10** (diameter 12 mm) to the outlet **A7**. Check that the hose **A10** is securely attached to the outlet **A7** so that condensate does not leak out in the joint.
- Locate the free end of the hose **A10** so that the condensate can flow out freely. The container or place where the condensate is drained must be lower than the outlet **A7**. Do not bend or twist the hose **A10**.
- When you have finished using it, remove the hose **A10** and close the outlet **A7** using the plug.

## TROUBLESHOOTING TABLE

PROBLEM / ERROR MESSAGE	POSSIBLE CAUSE	SOLUTION
The dehumidifier will not start.	It is not connected to a power socket.	Connect the power cord to a power socket.
	The set humidity level has been reached.	The dehumidifier always turns off automatically when the set heating level is reached.
	The tank <b>A4</b> is full or is installed incorrectly or is not installed in its place.	Empty the tank <b>A4</b> and install it back in its place.
The performance of the dehumidifier appears to be insufficient.	The dehumidifier has not been running long enough.	Leave the dehumidifier running for a longer time.
	The air inlet or outlet grill <b>A2</b> or <b>A6</b> is blocked by curtains, drapes or other items.	Remove obstacles preventing air circulation.
	A lower humidity level must be set.	Set a lower humidity level.
	There are open windows or doors in the room.	Close the doors and windows in the room.
	The temperature in the room is too low (lower than 5 °C).	Place the dehumidifier in a room with an air temperature in the range from 5 to 35 °C (41 to 95 °F).
	There is a source in the room that is creating humidity.	Remove the source of humidity.
Water appeared on the floor.	Water is leaking in the location of the drain hose <b>A10</b> .	Seal the joint at the point where the drain hose <b>A10</b> is connected.
	A plug is not inserted inside the outlet <b>A7</b> .	When using the condensate tank <b>A4</b> , the plug must be inserted inside the outlet <b>A7</b> .
A noise can be heard while the dehumidifier is running.	The air filter <b>A3</b> is clogged.	Clean it out according to the instructions in chapter Cleaning and maintenance.
	The dehumidifier is tilted or not installed on an even surface.	Locate it in vertical position on an even surface.
A layer of frost has appeared on the vaporizer.	The temperature in the room is too low (lower than 5 °C).	Place the dehumidifier in a room with an air temperature in the range from 5 to 35 °C (41 to 95 °F). The dehumidifier is equipped with an automatic defrost function that removes the layer of frost from the vaporizer.
Error message AS, ES or EC is shown on the display <b>B4</b> and the power On indicator <b>B7</b> is flashing quickly.	Humidity sensor error (AS) or temperature sensor error (ES) or coolant leakage (EC).	Disconnect the dehumidifier from the power socket and then reconnect it. Try starting it again. If the error continues to be shown, please contact an authorised service centre.

## CLEANING AND MAINTENANCE

- Before cleaning the appliance, always turn it off and disconnect it from the power socket.

### CLEANING THE CONDENSATE TANK

- Empty out the condensate tank **A4** whenever you finish using the appliance.
- To prevent undesirable bacteria, micro-organism or moulds from multiplying inside the tank **A4**, regularly clean it (at least once per month) using a cloth dampened in lukewarm water with the addition of neutral detergent. Then rinse it out thoroughly using clean water, dry it out using a clean cloth and insert it back into the appliance.
- Do not wash the tank **A4** in a dishwasher.

### CLEANING THE AIR FILTER

- The air filter **A3** should be cleaned regularly, at least two times per month or more frequently depending on how frequently the appliance is used.

- Remove the condensate tank **A4** and put it aside. Press the clips on the underside of the filter frame **A3** and slide the filter **A3** out of the appliance, see figure C.
- Wash the filter **A3** in warm water with neutral kitchen detergent. Then thoroughly rinse under clean running water, allow to dry naturally and install it back in its place. Make sure that it is completely dry before installation. Do not use the appliance without a properly installed air filter **A3**.
- Do not wash the filter **A3** in a dishwasher.

## CLEANING THE OUTER CASE AND AIR INLET AND OUTLET GRILLS

- To clean the grills **A2** and **A6** and the outer case, use a textile lightly dampened in lukewarm water with an addition of neutral detergent. In the event that the grill **A2** and **A6** are dusty, a vacuum cleaner may be used to clean them.
- Do not submerge the appliance or its power cord in water or any other liquids.
- Do not use solvents, cleaning products with an abrasive effect, etc. to clean the appliance. Otherwise the surface coat of the appliance may be damaged.

## STORAGE

- When not using the dehumidifier for an extended period of time, clean it according to the instructions in chapter Cleaning and maintenance. Thoroughly clean out the tank **A4** no sooner than 24 hours after its last use. During this time, a small amount of condensate could continue to accumulate inside the tank **A4**.
- The strap **A8** in the rear of the appliance may be used for storing the power cord **A9**.
- Store the dehumidifier in a clean, dry place, out of the reach of children.

## TECHNICAL SPECIFICATIONS

Power supply.....	220–240V~, 50Hz
Dehumidification capacity.....	10 l / 24 h
Rated power input.....	290 W
Rated current.....	2 A
EEV energy factor.....	1.31/kWh
Starting current.....	5 A
Fuse type and current value.....	T/3.15 A
Condensate tank capacity.....	2 l
Coolant type and weight.....	R134a/80 g
GWP (Global Warming Potential).....	1430
CO <sub>2</sub> Equivalent.....	0.11 tonnes
Air flow volume.....	120 m <sup>3</sup> /h
Noise level (high/low fan speed).....	43/40 dB(A)
Dimensions of the dehumidifier (w × d × h).....	308 × 247 × 456 mm
Dimensions of the packaging (w × d × h).....	347 × 277 × 527 mm
Weight net/gross.....	11.2/12.5 kg
Operating temperature.....	5–35 °C
Recommended room area.....	16–31 m <sup>2</sup>

The declared noise emission level of the appliance is 43 dB(A), which represents a level A of acoustic power with respect to a reference acoustic power of 1 pW.

We reserve the right to change text and technical specifications.

## INSTRUCTIONS AND INFORMATION REGARDING THE DISPOSAL OF USED PACKAGING MATERIALS

Dispose of used packaging material at a site designated for waste in your municipality.

## DISPOSAL OF USED ELECTRICAL AND ELECTRONIC EQUIPMENT



This symbol on products or original documents means that used electric or electronic products must not be added to ordinary municipal waste. For proper disposal, renewal and recycling hand over these appliances to determined collection points. Alternatively, in some European Union states or other European countries you may return your appliances to the local retailer when buying an equivalent new appliance.

Correct disposal of this product helps save valuable natural resources and prevents potential negative effects on the environment and human health, which could result from improper waste disposal. Ask your local authorities or collection facility for more details.

In accordance with national regulations penalties may be imposed for the incorrect disposal of this type of waste.

### For business entities in European Union states

If you want to dispose of electric or electronic appliances, ask your retailer or supplier for the necessary information.

### Disposal in other countries outside the European Union.

This symbol is valid in the European Union. If you wish to dispose of this product, request the necessary information about the correct disposal method from the local council or from your retailer.



This product meets all the basic requirements of EU directives related to it.