



Model/Modèle/Modelo:
GABC05FDKG

BEVERAGE COOLER

Use & Care Guide

For questions about features, operation, performance, parts or service, call: **1-866-342-4089**
In Canada, call: **1-800-807-6777**
or visit our website at...

www.gladiatorgarageworks.com or
www.gladiatorgarageworks.ca

RÉFRIGÉRATEUR POUR BOISSONS

Guide d'utilisation et d'entretien

Pour des questions à propos des caractéristiques, du fonctionnement/rendement, des pièces ou du service,
Au Canada, composer le **1 800 807-6777**
ou visiter notre site Web au

www.gladiatorgarageworks.ca

ENFRIADOR DE BEBIDAS

Manual de uso y cuidado

Si tiene preguntas respecto a características, funcionamiento o rendimiento, piezas o servicio técnico, llame al: **1-866-342-4089**
o visite nuestro sitio web en...

www.gladiatorgarageworks.com

TABLE OF CONTENTS/TABLE DES MATIÈRES/ÍNDICE

BEVERAGE COOLER SAFETY.....2	SÉCURITÉ DU RÉFROIDISSEUR DE BOISSONS.....14	SEGURIDAD DEL ENFRIADOR DE BEBIDAS.....26
Proper Disposal of Your Old Refrigerated Appliance.....2	Mise au rebut du vieil appareil réfrigéré.....14	Cómo deshacerse adecuadamente de su aparato refrigerado viejo.....26
DIMENSIONS3	DIMENSIONS15	DIMENSIONES27
Tools and Parts3	Outils et pièces15	Herramientas y piezas27
INSTALLATION INSTRUCTIONS.....4	INSTRUCTIONS D'INSTALLATION..16	INSTRUCCIONES DE INSTALACIÓN..28
Location Requirements.....4	Exigences d'emplacement16	Requisitos de ubicación28
Electrical Requirements.....4	Alimentation16	Requisitos eléctricos.....28
Unpack the Beverage Cooler.....5	Déballage du réfrigérateur pour boissons17	Desempacar el enfriador de bebidas..29
Install the Casters5	Installer les roulettes.....17	Instalación de las ruedecillas.....29
Reverse Door Swing (optional)6	Inversion du sens de l'ouverture de la porte (facultatif).....18	Cambio del sentido de abertura de la puerta (opcional)30
Door Closing.....7	Fermeture de la porte19	Cierre de la puerta31
Base Grille.....7	Grille de la base19	Rejilla de la base.....31
OPERATING YOUR BEVERAGE COOLER8	UTILISATION DU RÉFROIDISSEUR POUR BOISSONS20	OPERACIÓN DE SU ENFRIADOR DE BEBIDAS.....32
Buttons8	Boutons20	Botones32
Setting the Temperature8	Réglage de la température20	Ajuste de temperatura32
Features.....8	Caractéristiques.....20	Características.....32
Shelves.....9	Tablettes.....21	Estantes.....33
BEVERAGE COOLER CARE.....9	ENTRETIEN DU RÉFRIGÉRATEUR POUR BOISSONS21	CUIDADO DEL ENFRIADOR DE BEBIDAS.....33
Cleaning.....9	Nettoyage21	Limpieza.....33
Lighting the Beverage Cooler9	Éclairage du réfrigérateur pour boissons21	Iluminación del enfriador de bebidas ..33
Vacation and Moving Care.....10	Précautions à prendre avant les vacances ou le déménagement.....22	Cuidado durante las vacaciones y las mudanzas34
TROUBLESHOOTING10	DÉPANNAGE22	SOLUCIÓN DE PROBLEMAS.....34
ASSISTANCE OR SERVICE12	ASSISTANCE OU DÉPANNAGE.....24	AYUDA O SERVICIO TÉCNICO.....36
In the U.S.A.....12	Aux É.-U.....24	En los EE. UU.36
In Canada12	Au Canada24	En Canadá36
WARRANTY13	GARANTIE25	GARANTÍA37



BEVERAGE COOLER SAFETY

Your safety and the safety of others are very important.

We have provided many important safety messages in this manual and on your appliance. Always read and obey all safety messages.



This is the safety alert symbol.

This symbol alerts you to potential hazards that can kill or hurt you and others.

All safety messages will follow the safety alert symbol and either the word "DANGER" or "WARNING."

These words mean:

⚠ DANGER

You can be killed or seriously injured if you don't immediately follow instructions.

⚠ WARNING

You can be killed or seriously injured if you don't follow instructions.

All safety messages will tell you what the potential hazard is, tell you how to reduce the chance of injury, and tell you what can happen if the instructions are not followed.

IMPORTANT SAFETY INSTRUCTIONS

WARNING: To reduce the risk of fire, electric shock, or injury when using your Beverage Cooler, follow these basic precautions:

- Plug into a grounded 3 prong outlet.
- Do not remove ground prong.
- Do not use an adapter.
- Do not use an extension cord.
- Disconnect power before servicing.
- Replace all parts and panels before operating.
- Remove door or drawer(s) from your old refrigerated appliance.
- Use nonflammable cleaner.
- Keep flammable materials and vapors, such as gasoline, away from Beverage Cooler.
- Use two or more people to move and install Beverage Cooler.
- Keep ventilation openings, in the appliance enclosure or in the built-in structure, clear of obstruction.
- Do not use mechanical devices or other means to accelerate the defrosting process, other than those recommended by the manufacturer.
- Do not damage the refrigerant circuit.
- Do not use electrical appliances inside the food storage compartments of the appliance, unless they are of the type recommended by the manufacturer.

SAVE THESE INSTRUCTIONS

Proper Disposal of Your Old Refrigerated Appliance

⚠ WARNING

Suffocation Hazard

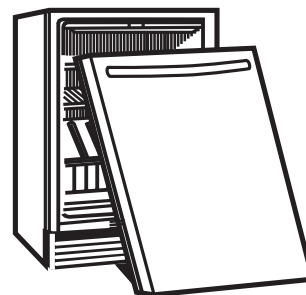
Remove door or drawer(s) from your old refrigerated appliance.

Failure to do so can result in death or brain damage.

IMPORTANT: Child entrapment and suffocation are not problems of the past. Junked or abandoned refrigerators are still dangerous – even if they will sit for “just a few days.” If you are getting rid of your old refrigerator, please follow these instructions to help prevent accidents.

WARNING: Risk of child entrapment. Before you throw away your old refrigerator or freezer:

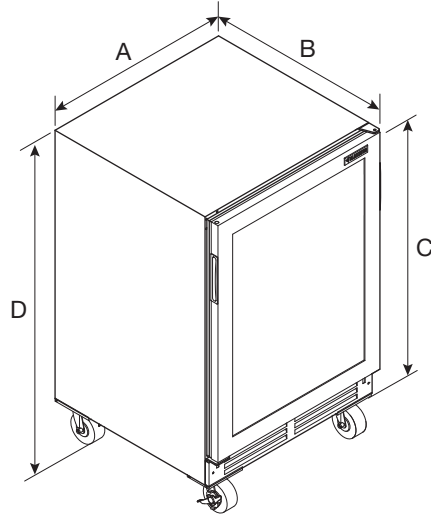
- Take off the door.
- Leave the shelves in place so that children may not easily climb inside.



Important information to know about disposal of refrigerants:

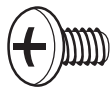
Dispose of refrigerator in accordance with Federal and Local regulations. Refrigerants must be evacuated by a licensed, EPA certified refrigerant technician in accordance with established procedures.

DIMENSIONS

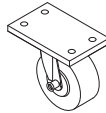


MODEL	GABC05FDKG
A	23.8" (60.5 cm)
B	23.8" (60.5 cm)
C	33.9" (86.1 cm)
D	36.4" (92.5 cm)

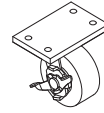
Tools and Parts



F1



P1



P2

Label	Description	Quantity
F1	Philips-head Screw	8
P1	Caster Swivel	2
P2	Caster-Fixed	2

- Gather the required tools and parts before starting assembly.
- Read entire manual before starting assembly.

Tools Needed:

- #2 Philips Screwdriver

INSTALLATION INSTRUCTIONS

Location Requirements

⚠ WARNING



Explosion Hazard

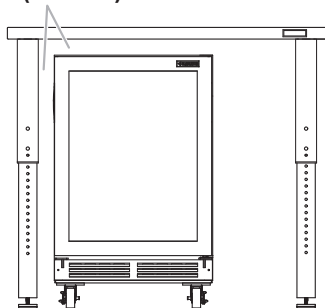
Keep flammable materials and vapors, such as gasoline, away from refrigerator.

Failure to do so can result in death, explosion, or fire.

To ensure proper ventilation for your beverage cooler, allow for a 1/4" (6.35 mm) space on each side and at the top. When installing your beverage cooler next to a fixed wall, leave 2 1/2" (6.35 cm) minimum clearance on the hinge side to allow for the door to swing open.

NOTE: It is recommended that you do not install the beverage cooler near an oven, radiator, or other heat source. Do not install in a location where the temperature will fall below 0°F (-17°C) or above 110°F (43°C). For best performance, do not install the beverage cooler behind a cabinet door or block the base grille.

1" (25.4 mm)



NOTE: Make sure to locate your beverage cooler in a location that does not allow vehicle doors, or any other object, to contact the glass door.

Electrical Requirements

⚠ WARNING



Electrical Shock Hazard

Plug into a grounded 3 prong outlet.

Do not remove ground prong.

Do not use an adapter.

Do not use an extension cord.

Failure to follow these instructions can result in death, fire, or electrical shock.

Before you move your beverage cooler into its final location, it is important to make sure you have the proper electrical connection.

Recommended Grounding Method

A 115 V, 60 Hz, AC only, 15 or 20 A fused, grounded electrical supply is required. It is recommended that a separate circuit serving only your Beverage Cooler be provided. Use an outlet that cannot be turned off by a switch. Do not use an extension cord.

NOTE: Before performing any type of installation or cleaning, disconnect the beverage cooler from the electrical source. When you have finished, reconnect the beverage cooler to the electrical source.

Unpack the Beverage Cooler

⚠ WARNING

Excessive Weight Hazard

Use two or more people to move and install beverage center.

Failure to do so can result in back or other injury.

When Moving Your Beverage Cooler:

Your Beverage Cooler is heavy. When moving the Beverage Cooler for installation, cleaning, or service, be sure to cover the floor with cardboard or hardboard to avoid floor damage. Always pull the Beverage Cooler straight out when moving it. Do not wiggle or “walk” the Beverage Cooler when trying to move it, as floor damage could occur.

Clean Before Using

After you remove all of the package materials, clean the inside of your beverage cooler before using it. See the cleaning instructions in “Beverage Cooler Care.”

Remove the Packaging

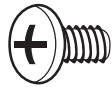
- Remove tape and glue residue from surfaces before turning on the beverage cooler. Rub a small amount of liquid dish soap over the adhesive with your fingers. Wipe with warm water and dry.
- Do not use sharp instruments, rubbing alcohol, flammable fluids, or abrasive cleaners to remove tape or glue. These products can damage the surface of your beverage cooler. For more information see “Beverage Cooler Safety.”
- Dispose of/recycle all packaging materials.

Important information to know about glass shelves and covers:

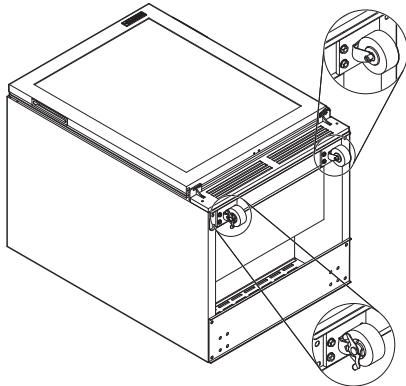
Do not clean glass shelves or covers with warm water when they are cold. Shelves and covers may break if exposed to sudden temperature changes or impact, such as bumping. Tempered glass is designed to shatter into many small, pebble-size pieces. This is normal. Glass shelves and covers are heavy. Use both hands when removing them to avoid dropping.

Install the Casters

1. Install the Front Casters

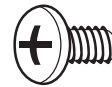


F1
Philips-head Screw

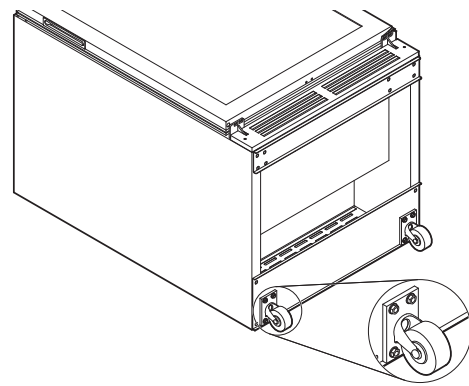


For caster attachment, using two or more people, lower the Beverage Cooler on its back. The front casters are fixed and have a brake on the side. The brake should face to the outside of the Beverage Cooler. To attach the fixed casters to the front location, align the holes on the casters with the holes and tabs on the front mounting plate as shown. Attach each fixed caster with 2 Philips-head screws (F1).

2. Install the Rear Casters



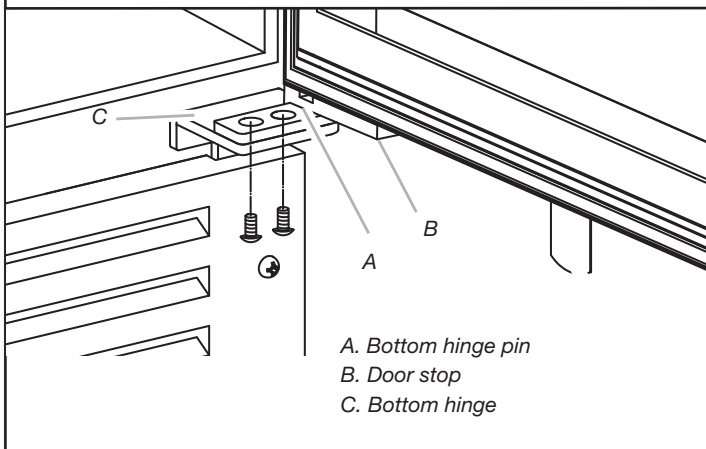
F1
Philips-head Screw



The rear casters swivel to allow for ease of mobility of the Beverage Cooler. To attach the rear swivel casters to the rear location, align the holes on the casters with the holes and tabs on the rear mounting plate as shown. Attach each swivel caster with 2 Philips-head screws (F1). Return the Beverage Cooler to the upright position.

Reverse Door Swing (Optional)

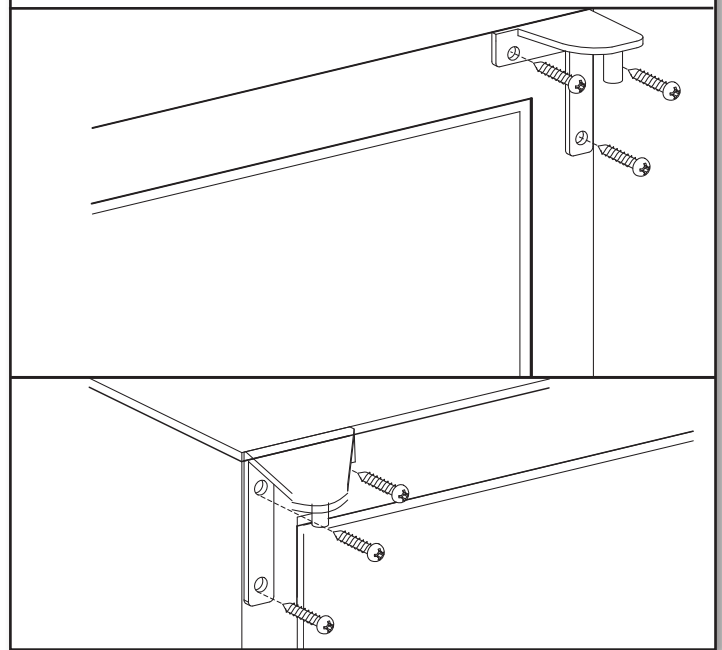
1. Remove the bottom hinge



Open the door to a 90° angle and remove the two screws for the bottom door hinge.

Remove the door by pulling it forward and away from the Beverage Cooler.

2. Remove the top hinge

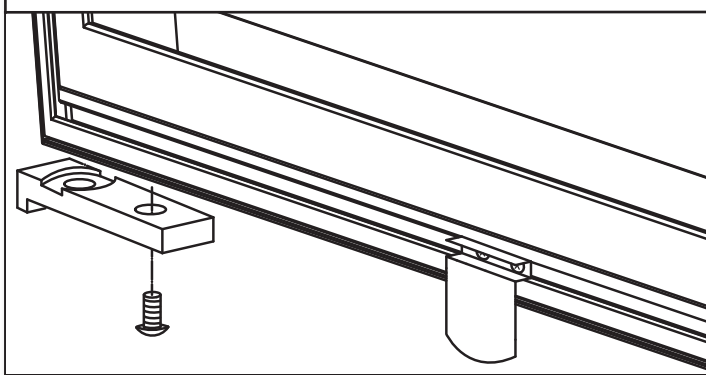


NOTE: There are two hinges for reverse door installation, one for a right-hand door swing and one for a left-hand door swing. Install the top hinge designed for the desired door swing.

Remove the three screws from the top hinge, and then remove the hinge. Using the three screws removed in the previous step, attach the correct top hinge to the upper reverse corner on the front of the Beverage Cooler.

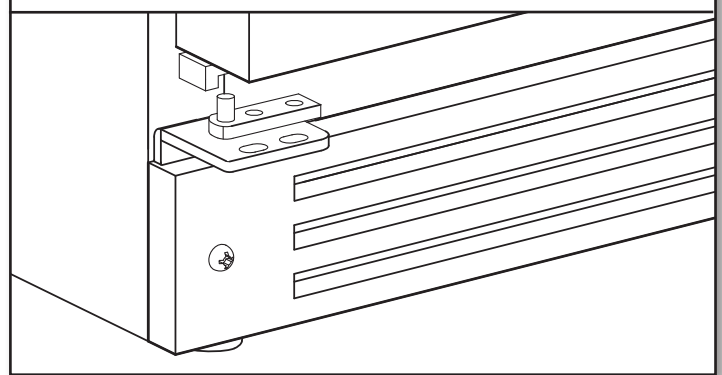
Remove the three decorative screws from the upper corner of the front of the Beverage Cooler. Insert the three decorative screws into the three holes in the upper reverse corner of the front of the Beverage Cooler.

3. Remove the door stop



Remove the screws for the door stop; remove door stop. Attach the door stop to the reverse side of the door.

4. Attach the bottom hinge



Attach the bottom hinge to the reverse side of the door. Insert the top corner of the door into the top hinge pin and reinstall the door on the Beverage Cooler. Press the door and the bottom hinge pin onto the bottom hinge. Check the alignment of the door and the door seals. Tighten the hinge screws (as necessary).

Door Closing

Door Closing (If installing without casters)

Your beverage cooler has four leveling legs. If your beverage cooler seems unsteady or you want the door to close more easily, adjust the beverage cooler's tilt using the following instructions.

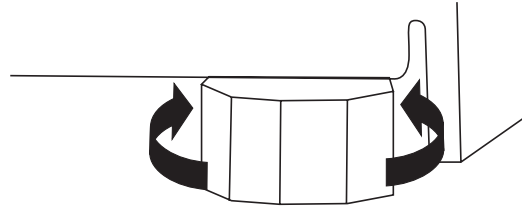
⚠ WARNING

Excessive Weight Hazard

Use two or more people to move and install beverage center.

Failure to do so can result in back or other injury.

1. Door Closing



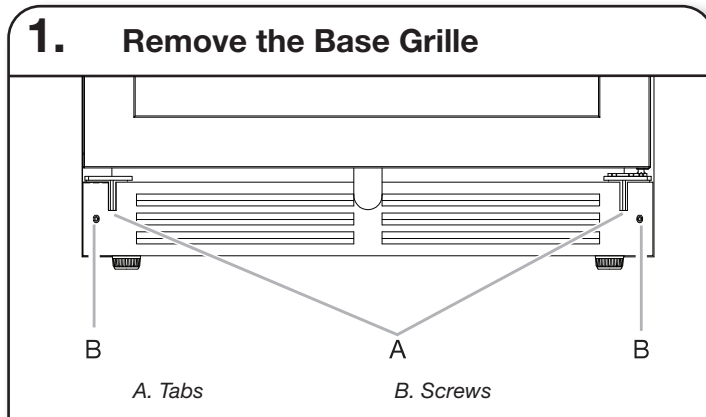
Move the beverage cooler into its final location. Turn the leveling legs to the right to lower the beverage cooler or turn the leveling legs to the left to raise it. It may take several turns of the leveling legs to adjust the tilt of the beverage cooler.

NOTE: Having someone push against the top of the beverage cooler takes some weight off the leveling legs. This makes it easier to adjust the leveling legs.

Make sure that the door closes as easily as you like. If not, tilt the beverage cooler slightly more to the rear by turning both front leveling screws to the left. It may take several more turns, and you should turn both leveling legs the same amount.

Base Grille

1. Remove the Base Grille



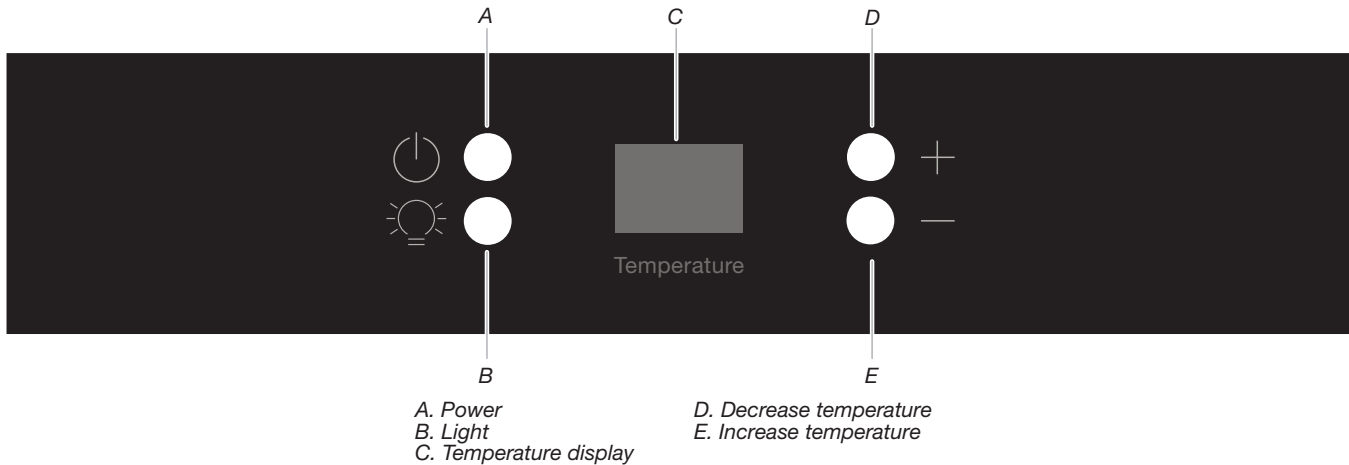
Open the beverage cooler door. Using a Phillips screwdriver, remove the two screws. Push both tabs in toward the center to release the base grille from the beverage cooler. Remove the base grille.

Replace the Base Grille

Open the beverage cooler door.

Position the base grille so that both tabs align and the base grille snaps into place. Replace the two screws. Tighten the screws.

OPERATING YOUR BEVERAGE COOLER



Buttons

A. “⏻” Button

Press this button for 3 seconds to turn off the system. In this mode, only the LED light will function. Press this button again to turn the system back on.

B. “💡” Button

Press Light button to turn the light on and off within Beverage Cooler compartment. The Beverage Cooler will remain illuminated for 10 minutes (even when door is closed) when the light is turned on. When the light is turned off, the Beverage Cooler compartment will be illuminated when the door is open. The light will turn off when the door is closed.

C. “Temperature”

Displays the actual temperature inside the Beverage Cooler.

D. “+” Button

Each press of this button will increase the temperature setting 1°F or 1°C until it reaches 64°F (18°C).

E. “-” Button

Each press of this button will decrease the temperature setting 1°F or 1°C until it reaches 37°F (3°C).

F. “°F and °C unit conversion”

Press “+” & “-” button at the same time and the display will show “3, 2, 1” countdown, and then the units will convert between “°F” and “°C” or “°C” and “°F”.

- When pressing the “+” or “-” buttons, the system will be entering the set up mode. The LED will flash and display the setting temperature. When exceeding the minimum value that can be reached, it will stay at the highest adjustable temperature value.

NOTE: In the event of power interruption or if the unit is unplugged during setting mode, the set temperature will be erased, and the system will return to the factory setting (54°F (12°C)).

- Recommended temperature range and location when storing wine:
White - 43°F - 50°F (6°C - 10°C) Upper shelves
Red - 53°F - 61°F (12°C - 16°C) Lower shelves

Features

■ Temperature Recollection

In the event of a power interruption, the Beverage Cooler will remember the previous temperature setting, and when the power is restored, the Beverage Cooler will go back to the same setting temperature as before the power interruption.

■ Open Door Alarm

When you forget to close the door or the door is not closed completely, the alarm will sound after 5 minutes. Please close the door completely to avoid energy loss.

■ Temperature Alarm

If the Beverage Cooler inner temperature is higher than 73°F (23°C), “HI” will be displayed and the alarm will sound continuously. It will inform that the inner temperature is too high. Please check for the cause. See “Troubleshooting.” If the Beverage Cooler inner temperature is lower than 32°F (0°C), “LO/CL” will be displayed and the alarm will sound continuously. It will inform that the inner temperature is too low.

NOTE: When the Beverage Cooler is first plugged in, after 6 hours if the temperature sensor detects a temperature lower than 32°F (0°C), the alarm will sound, and the display will show “LO.” If the temperature remains lower than 32°F (0°C) for 15 additional minutes, the display will change and show “CL.” This “CL” temperature alarm can only be turned off by disconnecting power.

IMPORTANT:

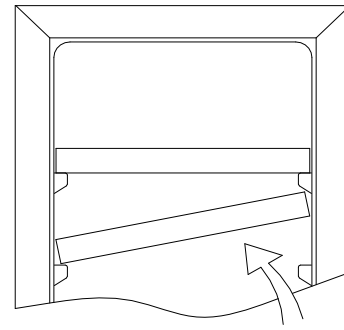
If the unit is unplugged, power lost, or turned off, you must wait 3 to 5 minutes before the Beverage Cooler will restart. During this time, the LED display will show the difference in temperature between the set temperature and the inner temperature.

Setting The Temperature

- Set the desired cooling temperature by pressing the “+” or “-” buttons. Each press of the buttons will scroll through the available temperature setting in increments of 1 degree. The temperature selected will flash in the LED display for approximately 5 seconds, then revert back to the setting temperature of the internal cabinet.
- The temperature setting can be adjusted from 37°F (3°C) to 64°F (18°C). The factory preset temperature is 54°F (12°C).
- To view the actual temperature anytime, press and hold one of the “+” or “-” buttons for approximately 5 seconds, and the set temperature will temporarily flash in the LED display for 5 seconds.

Shelves

- To prevent damaging the door gasket, make sure to have the door all the way opened when pulling shelves out of the compartment.
- For easy access to the storage content, you can pull the shelves approximately 1/3 out of the compartment. This unit was designed with a notch on each side of the shelf to prevent bottles from falling.
Please refer to the following directions for removing and replacing the shelves.
When removing any of these shelves out of the compartment, tilt the shelf as per the diagram and simply pull out, or push in the shelf until it sits on the support brackets securely.



BEVERAGE COOLER CARE

Cleaning

⚠ WARNING

Explosion Hazard Use nonflammable cleaner. Failure to do so can result in death, explosion, or fire.

Clean the beverage cooler about once a month to avoid odor buildup. Wipe up spills immediately.

To clean your beverage cooler:

1. Unplug beverage cooler or disconnect power.
2. Remove all racks and shelves from inside the Beverage Cooler. See the instructions in “Shelves”.
3. Hand wash, rinse, and dry removable parts and interior surfaces thoroughly. Use a clean sponge or soft cloth and a mild detergent in warm water.
 - Do not use abrasive or harsh cleaners such as window sprays, scouring cleansers, flammable fluids, cleaning waxes, concentrated detergents, bleaches or cleansers containing petroleum products on plastic parts, interior and door liners or gaskets. Do not use paper towels, scouring pads, or other harsh cleaning tools. These can scratch or damage materials.
 - To help remove odors, you can wash interior walls with a mixture of warm water and baking soda (2 tbs to 1 qt [26 g to 0.95 L] of water).
4. Wash stainless steel and painted metal exteriors with a clean sponge or soft cloth and a mild detergent in warm water. Do not use abrasive or harsh cleaners, or cleaners containing chlorine. These can scratch or damage materials. Dry thoroughly with a soft cloth.

5. Replace the racks and shelves.
6. Clean the condenser coils regularly. They are located behind the base grille. Coils may need to be cleaned as often as every other month. This may help save energy.
 - Remove the base grille. See “Base Grille.”
 - Use a vacuum cleaner with an extended attachment to clean the condenser coils when they are dusty or dirty.
 - Replace the base grille.
7. Plug in beverage cooler or reconnect power.

Lighting the Beverage Cooler

- The Beverage Cooler has an interior LED light strip that may be turned off or remain on depending on your preference. Refer to the “Operating Your Beverage Cooler” section for information on controlling the interior light.

Vacation and Moving Care

Vacations

If you choose to turn the beverage cooler off before you leave, follow these steps.

1. Remove all beverages from the beverage cooler.
2. Unplug the beverage cooler.
3. Clean the beverage cooler. See “Cleaning.”
4. Tape a rubber or wood block to the top of the door to prop it open far enough for air to get in. This stops odor and mold from building up.

Moving


When you are moving your beverage cooler to a new home, follow these steps to prepare it for the move.

1. Remove all beverages from the beverage cooler.
2. Unplug the beverage cooler.
3. Clean the beverage cooler. See “Cleaning.”
4. Take out all removable parts, wrap them well, and tape them together so they don’t shift and rattle during the move.
5. Tape the doors shut and tape the power cord to the beverage cooler.

When you get to your new home, put everything back and refer to the “Installation Instructions” section for preparation instructions.

TROUBLESHOOTING

⚠ WARNING



Electrical Shock Hazard

Plug into a grounded 3 prong outlet.

Do not remove ground prong.

Do not use an adapter.

Do not use an extension cord.

Failure to follow these instructions can result in death, fire, or electrical shock.

Try the solutions suggested here first in order to avoid the cost of an unnecessary service call.

If you experience	Possible Causes	Solution
Your beverage cooler will not operate	Is the power supply cord unplugged?	Plug into a grounded 3 prong outlet.
	Has a household fuse blown, or has a circuit breaker tripped?	Replace the fuse or reset the circuit breaker.
	Is the Beverage Cooler Control turned to the OFF position?	See “Operating Your Beverage Cooler.”
The lights do not work	Is the power supply cord unplugged?	Plug into a grounded 3 prong outlet.
	Are the lights turned off?	See “Lighting the Beverage Cooler” section in this manual. Your Beverage Center is equipped with an LED light strip which does not need to be replaced. If there is power to the beverage center, and the lights are turned on but they do not light, call for service or assistance.
The motor seems to run too much	Is the temperature outside hotter than normal?	Expect the motor to run longer under warm conditions. At normal temperatures, expect your motor to run about 40% to 80% of the time. Under warmer conditions, expect it to run even more.
	Is the door opened often?	Expect the motor to run longer when this occurs. In order to conserve energy, try to get everything you need out of the beverage cooler at once, keep wine bottles positioned label side up so that they are easy to find, and close the door as soon as the wine is removed.

Try the solutions suggested here first in order to avoid the cost of an unnecessary service call.

If you experience	Possible Causes	Solution
The motor seems to run too much (contd.)	Is the control set correctly for the surrounding conditions?	See "Operating Your Beverage Cooler."
	Is the door closed completely?	Push the door firmly shut. If it will not shut all the way, see "The door will not close completely" later in this section.
	Are the condenser coils dirty?	This obstructs air transfer and makes the motor work harder. Clean the condenser coils. See "Cleaning."
Temperature is too warm	Is the door opened often?	Be aware that the beverage cooler will warm when this occurs. In order to keep the beverage cooler cool, try to get everything you need out of the beverage cooler at once, keep wine bottles positioned label side up so that they are easy to find, and close the door as soon as the items are removed.
	Is the control set correctly for the surrounding conditions?	See "Operating Your Beverage Cooler."
	Is the base grille blocked?	For best performance, do not install the beverage cooler behind a cabinet door or block the base grille.
There is interior moisture buildup	Is the door opened often?	To avoid humidity buildup, try to get everything you need out of the beverage cooler at once, keep wine bottles positioned label side up so that they are easy to find, and close the door as soon as the items are removed. When the door is opened, humidity from the room air enters the beverage cooler. The more often the door is opened, the faster humidity builds up, especially when the room itself is very humid.
	Is it humid?	It is normal for moisture to build up inside the beverage cooler when the air is humid.
	Is the control set correctly for the surrounding conditions?	See "Operating Your Beverage Cooler."

⚠ WARNING

<p>Explosion Hazard</p> <p>Use nonflammable cleaner.</p> <p>Failure to do so can result in death, explosion, or fire.</p>

The door is difficult to open	Is the gasket dirty or sticky?	Clean the gasket and the surface that it touches. Rub a thin coat of paraffin wax on the gasket following cleaning.
The door will not close completely	Are the racks or shelves out of position?	Put the racks or shelves back into their correct positions. See "Shelves" for more information.
	Is the gasket sticking?	Clean the gasket and the surface that it touches. Rub a thin coat of paraffin wax on the gasket following cleaning.

ASSISTANCE OR SERVICE

Before calling for assistance or service, please check “Troubleshooting.” It may save you the cost of a service call. If you still need help, follow the instructions below.

When calling, please know the purchase date and the complete model and serial number of your appliance. This information will help us to better respond to your request.

If You Need Replacement Parts

If you need to order replacement parts, we recommend that you only use factory specified replacement parts. Factory specified replacement parts will fit right and work right because they are made with the same precision used to build every new Gladiator® appliance.

To locate factory specified replacement parts in your area, call us or your nearest designated service center.

In the U.S.A.

Call the Gladiator Customer eXperience Center toll free: **1-866-342-4089**.

Our Consultants Provide Assistance With:

- Features and specifications on our full line of appliances.
- Installation information.
- Use and maintenance procedures.
- Accessory and repair parts sales.
- Specialized customer assistance (Spanish speaking, hearing impaired, limited vision, etc.).
- Referrals to local dealers, repair parts distributors, and service companies. Gladiator designated service technicians are trained to fulfill the product warranty and provide afterwarranty service, anywhere in the United States.

To locate the Gladiator designated service company in your area, you can also look in your telephone directory Yellow Pages.

For Further Assistance

If you need further assistance, you can write to Gladiator with any questions or concerns at:

Gladiator Brand Home Appliances
Customer eXperience Center
553 Benson Road
Benton Harbor, MI 49022-2692

Please include a daytime phone number in your correspondence.

In Canada

Call the Gladiator Canada Customer eXperience Centre toll free: **1-800-807-6777**, or visit our website at **www.gladiatorgarageworks.ca**.

Our Consultants Provide Assistance With:

- Features and specifications on our full line of appliances.
- Use and maintenance procedures.
- Accessory and repair parts sales.
- Scheduling of Service. Gladiator designated service technicians are trained to fulfill the product warranty and provide after-warranty service, anywhere in Canada.

For Further Assistance

If you need further assistance, you can write to Gladiator Canada with any questions or concerns at:

Gladiator Brand Home Appliances
Customer eXperience Center
200 - 6750 Century Ave.
Mississauga, Ontario L5N 0B7

Please include a daytime phone number in your correspondence.

WARRANTY

For warranty information:

In the U.S.A. call: **1-866-342-4089** or visit our website at
www.gladiatorgarageworks.com

In Canada call: **1-800-807-6777** or visit our website at
www.gladiatorgarageworks.ca

SÉCURITÉ DU REFROIDISSEUR DE BOISSONS

Votre sécurité et celle des autres est très importante.

Nous donnons de nombreux messages de sécurité importants dans ce manuel et sur votre appareil ménager. Assurez-vous de toujours lire tous les messages de sécurité et de vous y conformer.



Voici le symbole d'alerte de sécurité.

Ce symbole d'alerte de sécurité vous signale les dangers potentiels de décès et de blessures graves à vous et à d'autres.

Tous les messages de sécurité suivront le symbole d'alerte de sécurité et le mot "DANGER" ou "AVERTISSEMENT". Ces mots signifient :

⚠ DANGER

Risque possible de décès ou de blessure grave si vous ne suivez pas immédiatement les instructions.

⚠ AVERTISSEMENT

Risque possible de décès ou de blessure grave si vous ne suivez pas les instructions.

Tous les messages de sécurité vous diront quel est le danger potentiel et vous disent comment réduire le risque de blessure et ce qui peut se produire en cas de non-respect des instructions.

IMPORTANTES INSTRUCTIONS DE SÉCURITÉ

AVERTISSEMENT : Pour réduire les risques d'incendie, de décharge électrique ou de blessures lors de l'utilisation du réfrigérateur pour boissons, prendre quelques précautions fondamentales, y compris les suivantes :

- Brancher l'appareil sur une prise à 3 alvéoles reliée à la terre.
- Ne pas enlever la prise de liaison à la terre.
- Ne pas utiliser d'adaptateur.
- Ne pas utiliser de rallonge.
- Déconnecter la source de courant électrique avant l'entretien.
- Replacer pièces et panneaux avant de faire la mise en marche.
- Ôter la porte ou le(s) tiroir(s) de votre vieil appareil réfrigéré.
- Utiliser un produit de nettoyage ininflammable.
- Garder les matières et les vapeurs inflammables, telles que l'essence, loin du réfrigérateur pour boissons.
- Il faut l'aide d'au moins deux personnes ou plus pour déplacer et installer le réfrigérateur pour boissons.
- Garder les évents à l'intérieur de l'enceinte de l'appareil ou de la structure encastrée exempte d'obstacles.
- Ne pas utiliser des appareils mécaniques ou autres moyens pour accélérer le processus de dégivrage, autre que ceux recommandés par le fabricant."
- Ne pas endommager le circuit réfrigérant.
- Ne pas utiliser des appareils électriques à l'intérieur des compartiments d'aliments de l'appareil, à moins qu'ils soient de type recommandé par le fabricant.

CONSERVER CES INSTRUCTIONS

Mise au rebut du vieux appareil réfrigéré

⚠ AVERTISSEMENT

Risque de suffoquer

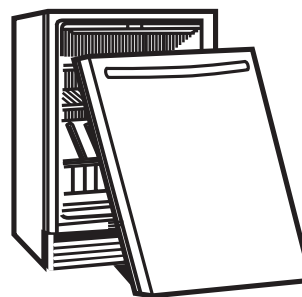
Enlever les portes de votre vieux réfrigérateur.

Le non-respect de cette instruction peut causer un décès ou des lésions cérébrales.

IMPORTANT : Le risque qu'un enfant puisse se retrouver coincé et suffoquer n'est pas chose du passé. Les réfrigérateurs jetés ou abandonnés restent dangereux, même s'ils ne restent à l'extérieur que pour « quelques jours ». Si l'ancien réfrigérateur doit être mis au rebut, suivre les instructions suivantes afin d'éviter les accidents.

AVERTISSEMENT : Un enfant peut rester piégé. Avant de jeter votre vieux réfrigérateur ou congélateur :

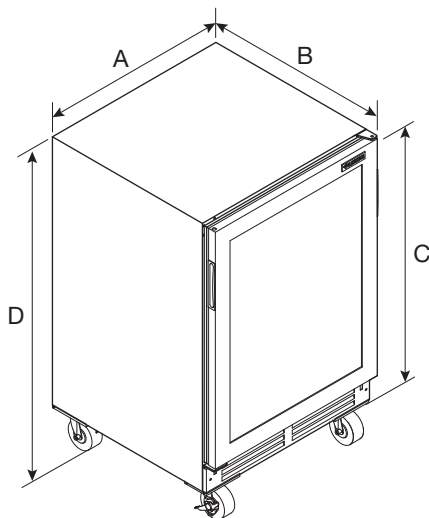
- Enlever la porte.
- Laisser les tablettes en place de sorte que les enfants ne puissent pas y pénétrer facilement.



Renseignements importants à propos de la mise au rebut des fluides réfrigérants :

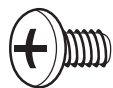
Mettre le réfrigérateur au rebut conformément à la réglementation fédérale et locale. Les fluides réfrigérants doivent être évacués par un technicien certifié et agréé par l'EPA conformément aux procédures établies.

DIMENSIONS

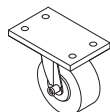


MODÈLE	GABC05FDKG
A	23,8 po (60,5 cm)
B	23,8 po (60,5 cm)
C	33,9 po (86,1 cm)
D	36,4 po (92,5 cm)

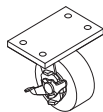
Outils et pièces



F1



P1



P2

Étiquette	Description	Quantité
F1	Vis Phillips	8
P1	Roulette pivotante	2
P2	Roulette fixe	2

- Rassembler les pièces et outils requis avant de commencer l'assemblage.
- Lire tout le manuel avant de commencer l'assemblage.

Outils requis :

- Tournevis Phillips n°2

INSTRUCTIONS D'INSTALLATION

Exigences d'emplacement

AVERTISSEMENT



Risque d'explosion

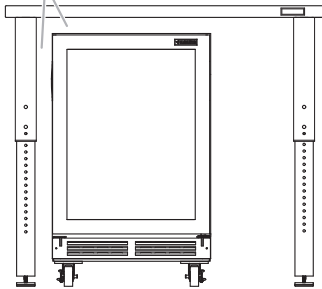
Garder les matériaux et les vapeurs inflammables, telle que l'essence, loin du réfrigérateur.

Le non-respect de cette instruction peut causer un décès, une explosion ou un incendie.

Pour obtenir une aération appropriée pour ce réfrigérateur pour boissons, laisser un espace de 1/4 po (6,35 mm) de chaque côté et au sommet. En cas d'installation du réfrigérateur pour boissons près d'un mur fixe, laisser un minimum de 2 1/2 po (6,35 cm) du côté de la charnière pour permettre à la porte de s'ouvrir sans obstruction.

REMARQUE : On recommande de ne pas installer le réfrigérateur pour boissons près d'un four, d'un radiateur ou de toute autre source de chaleur. Ne pas installer l'appareil dans un endroit où la température pourrait descendre sous 0 °F (-17 °C) ou 110°F (43°C). Pour le meilleur rendement, ne pas installer le réfrigérateur pour boissons derrière une porte d'armoire ni obstruer la grille de la base.

1 po (25,4 mm)



REMARQUE : S'assurer de placer votre réfrigérateur pour boissons dans un endroit qui ne permet pas aux portes du véhicule ou à tout autre objet d'entrer en contact avec la porte vitrée.

Alimentation

AVERTISSEMENT



Risque de choc électrique

Brancher sur une prise à 3 alvéoles reliée à la terre.

Ne pas enlever la broche de liaison à la terre.

Ne pas utiliser un adaptateur.

Ne pas utiliser un câble de rallonge.

Le non-respect de ces instructions peut causer un décès, un incendie ou un choc électrique.

Avant de placer le réfrigérateur pour boissons à son emplacement final, il est important de vous assurer d'avoir la connexion électrique appropriée.

Méthode recommandée de liaison à la terre

Un circuit de 115 V CA à 60 Hz relié à la terre et protégé par un fusible de 15 A ou 20 A est requis. Il est recommandé d'utiliser un circuit distinct pour alimenter uniquement votre réfrigérateur pour boissons. Utiliser une prise de courant dont l'alimentation ne peut pas être interrompue par un interrupteur. Ne pas utiliser de rallonge.

REMARQUE : Avant d'effectuer tout type d'installation ou de nettoyage, débrancher le réfrigérateur pour boissons de la source d'alimentation électrique. Une fois l'opération terminée, rebrancher le réfrigérateur pour boissons à la source d'alimentation électrique.

Déballage du réfrigérateur pour boissons

! AVERTISSEMENT

Risque du poids excessif

Utiliser deux ou plus de personnes pour déplacer et installer le réfrigérateur pour boissons.

Le non-respect de cette instruction peut causer une blessure au dos ou d'autre blessure.

Déplacement de votre réfrigérateur pour boissons :

Votre réfrigérateur pour boissons est lourd. Lors du déplacement de l'appareil pour le nettoyage et le service, veiller à recouvrir le plancher avec du carton ou un panneau de fibres dures pour éviter qu'il ne subisse tout dommage. Toujours tirer l'appareil tout droit lors du déplacement. Ne pas incliner l'appareil d'un côté ou de l'autre ni le "faire marcher" en essayant de le déplacer car le plancher pourrait être endommagé.

Retrait des matériaux d'emballage

- Enlever tout résidu de ruban adhésif et de colle des surfaces avant de mettre en marche le réfrigérateur pour boissons. Frotter une petite quantité de savon liquide à vaisselle sur l'adhésif avec les doigts. Rincer à l'eau tiède et sécher.
- Ne pas utiliser d'instruments coupants, d'alcool à friction, de liquides inflammables ou de nettoyants abrasifs pour enlever le ruban adhésif ou la colle. Ces produits peuvent endommager la surface de votre réfrigérateur pour boissons. Pour plus de renseignements, voir « Sécurité du réfrigérateur pour boissons ».
- Éliminer/recycler tous les matériaux d'emballage.

Nettoyage avant utilisation

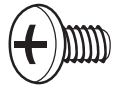
Après avoir enlevé tous les matériaux d'emballage, nettoyer l'intérieur du réfrigérateur pour boissons. Voir les instructions de nettoyage dans « Entretien du réfrigérateur pour boissons ».

Importants renseignements à savoir au sujet des tablettes et des couvercles en verre :

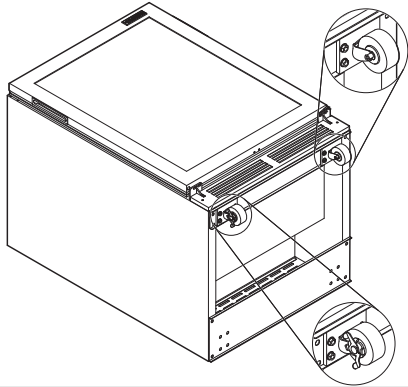
Ne pas nettoyer les tablettes ou couvercles en verre avec de l'eau tiède quand ils sont froids. Les tablettes et les couvercles peuvent se briser s'ils sont exposés à des changements soudains de température ou à un impact tel que coup brusque. Le verre trempé est conçu pour éclater en d'innombrables pièces minuscules. Ceci est normal. Les tablettes et les couvercles en verre sont lourds. Les saisir à deux mains lors de leur dépose afin d'éviter de les faire tomber.

Installer les roulettes

1. Installer les roulettes avant

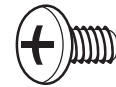


F1
Vis Phillips

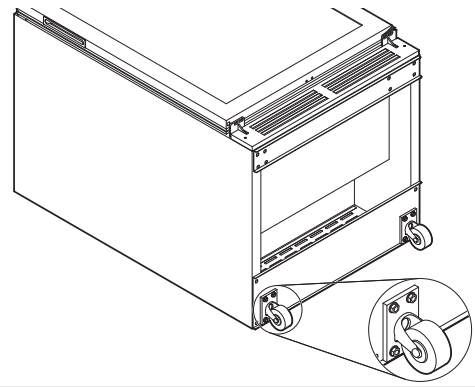


Pour la fixation des roulettes, abaisser le refroidisseur pour boissons sur son dos à l'aide de deux personnes ou plus. Les roulettes avant sont fixes et comportent un frein sur le côté. Le frein doit faire face à l'extérieur du réfrigérateur pour boissons. Pour fixer les roulettes fixes à l'emplacement avant, aligner les trous sur les roulettes avec les trous et les languettes de la plaque de montage avant comme illustré. Fixer chaque roulette fixe au moyen de 2 vis Phillips (F1).

2. Installer les roulettes arrière



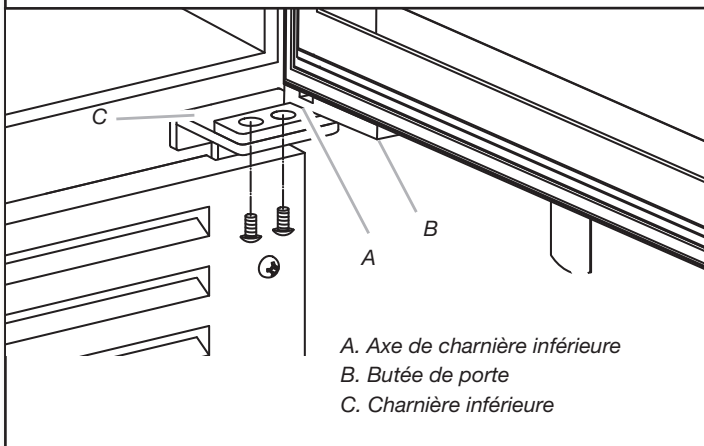
F1
Vis Phillips



Les roulettes arrière pivotent pour faciliter la mobilité du réfrigérateur pour boissons. Pour fixer les roulettes pivotantes arrière à l'emplacement arrière, aligner les trous sur les roulettes avec les trous et les languettes de la plaque de montage arrière comme illustré. Fixer chaque roulette pivotante au moyen de 2 vis Phillips (F1). Remettre le réfrigérateur pour boissons en position debout.

Inversion du sens de l'ouverture de la porte (facultatif)

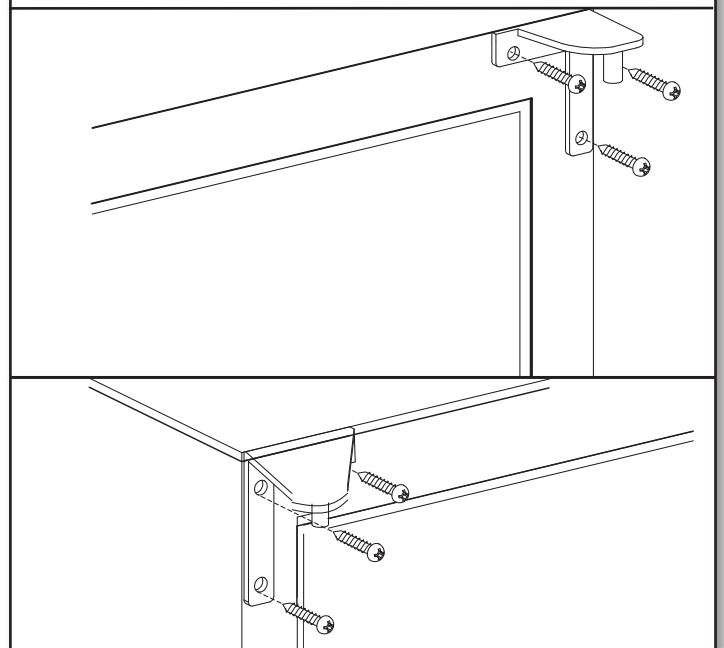
1. Ôter la charnière inférieure



Ouvrir la porte à un angle de 90° et retirer les deux vis de la charnière de porte inférieure.

Retirer la porte en la tirant vers l'avant pour la dégager de la réfrigérateur pour boissons.

2. Ôter la charnière supérieure

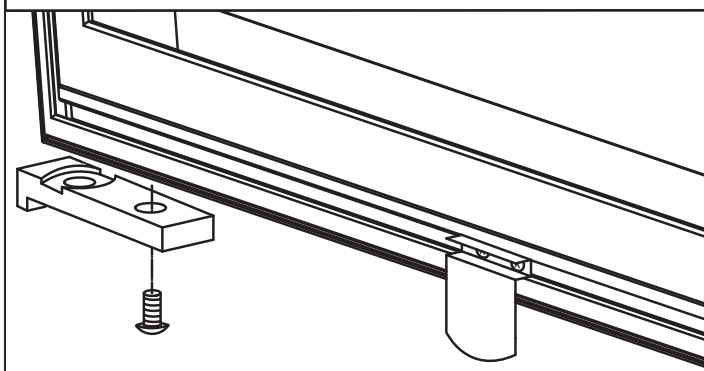


REMARQUE : Il existe deux charnières pour une inversion du sens de l'ouverture de la porte, une pour une ouverture vers la droite, et une pour une ouverture vers la gauche. Installer la charnière supérieure conçue pour l'ouverture de la porte dans le sens désiré.

Retirer les trois vis de la charnière supérieure et retirer la charnière. À l'aide des trois vis retirées à l'étape précédente, fixer la bonne charnière supérieure au coin supérieur gauche à l'avant du réfrigérateur pour boissons.

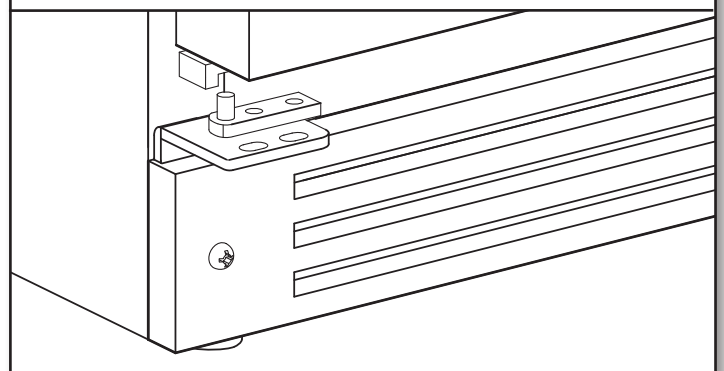
Retirer les trois vis décoratives du coin supérieur de l'avant du réfrigérateur pour boissons. Insérer les trois vis décoratives dans les trois trous situés dans le coin supérieur opposé de l'avant du réfrigérateur pour boissons.

3. Enlever la butée de porte



Enlever les vis de la butée de porte; enlever la butée de porte. Fixer la butée de porte au côté opposé de la porte.

4. Fixer la charnière inférieure



Fixer la charnière inférieure au côté opposé de la porte. Insérer le coin supérieur de la porte dans l'axe de la charnière supérieure et réinstaller la porte sur le réfrigérateur pour boissons. Appuyer la porte et la charnière inférieure sur l'axe de charnière inférieure. Vérifier si la porte et les joints de porte sont bien alignés. Serrer les vis de charnière (si besoin).

Fermeture de la porte

Fermeture de la porte (en cas d'installation sans roulettes)

Le réfrigérateur pour boissons possède quatre pieds de nivellement. Si le réfrigérateur pour boissons semble instable ou si vous désirez que la porte se ferme plus facilement, régler l'inclinaison de l'appareil en suivant les instructions ci-dessous.

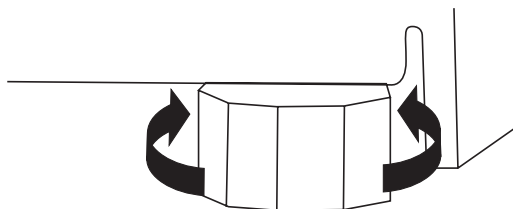
AVERTISSEMENT

Risque du poids excessif

Utiliser deux ou plus de personnes pour déplacer et installer le réfrigérateur pour boissons.

Le non-respect de cette instruction peut causer une blessure au dos ou d'autre blessure.

1. Fermeture de la porte



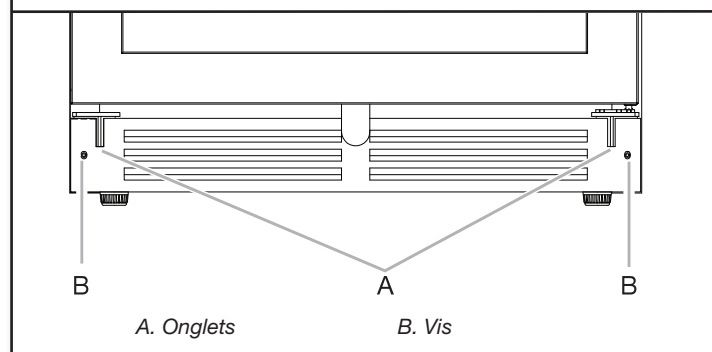
Déplacer le réfrigérateur pour boissons à sa position finale. Tourner les pieds de nivellement vers la droite pour abaisser le réfrigérateur pour boissons ou tourner les pieds de nivellement vers la gauche pour le soulever. Il peut être nécessaire de tourner les pieds de nivellement plusieurs fois pour ajuster l'inclinaison du réfrigérateur pour boissons.

REMARQUE : Si une autre personne pousse le haut du réfrigérateur pour boissons, le poids devient moins lourd sur les pieds de nivellement. Ceci rend plus facile l'ajustement des pieds de nivellement.

S'assurer que la porte se ferme aussi facilement que l'on souhaite. Sinon, incliner le réfrigérateur pour boissons un peu plus vers l'arrière en tournant les deux vis de réglage de l'aplomb avant vers la gauche. Plusieurs tours peuvent être nécessaires et il convient de tourner les deux pieds de nivellement de façon égale.

Grille de la base

1. Dépose de la grille de la base



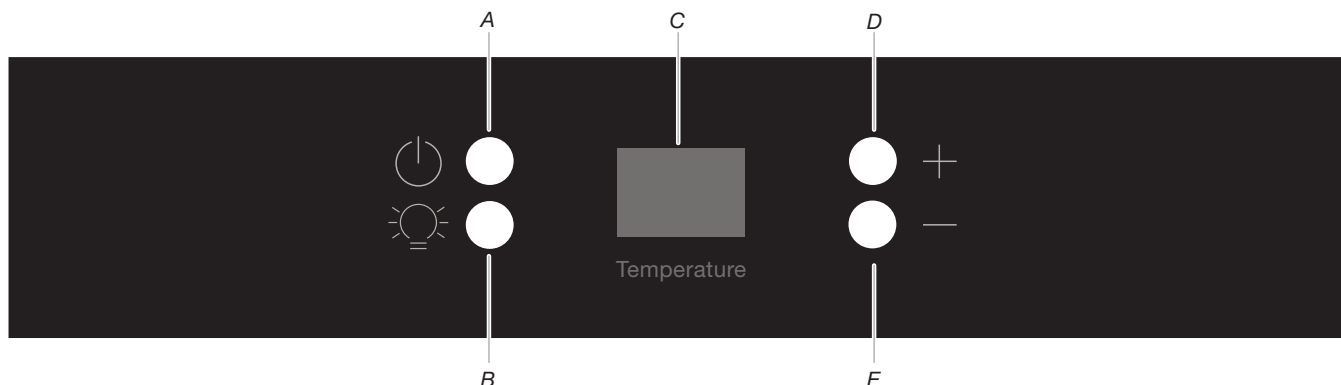
Ouvrir la porte du réfrigérateur pour boissons. À l'aide d'un tournevis à tête cruciforme, ôter les deux vis. Pousser les deux onglets vers le centre pour dégager la grille de la base du réfrigérateur pour boissons. Retirer la grille de la base.

Réinstaller la grille de la base

Ouvrir la porte du réfrigérateur pour boissons.

Positionner la grille de la base de façon à ce que les onglets soient alignés et que la grille de la base s'emboîte. Réinstaller les deux vis. Serrer les vis.

UTILISATION DU REFROIDISSEUR POUR BOISSONS



A. Mise sous/hors tension
B. Eclairage
C. Affichage de la température

D. Baisser la température
E. Augmenter la température

Boutons

A. Bouton « »

Appuyer sur ce bouton pendant 3 secondes pour éteindre le système. Dans ce mode, seule l'éclairage à DEL fonctionne. Appuyer sur ce bouton de nouveau pour allumer ou éteindre l'appareil.

B. Bouton « »

Appuyer sur le bouton Light (éclairage) pour allumer et éteindre l'éclairage du compartiment de réfrigération pour boissons. Le réfrigérateur pour boissons reste éclairé pendant 10 minutes (même lorsque la porte est fermée) lorsque les lumières sont allumées. Lorsque l'éclairage est désactivé, le compartiment de réfrigération pour boissons s'illumine lorsque la porte est ouverte. L'éclairage s'éteint lorsque la porte est fermée.

C. « Temperature »

Affiche la température réelle à l'intérieur du refroidisseur pour boissons.

D. Bouton « + »

Chaque pression sur ce bouton augmente le réglage de la température de 1 °F ou 1 °C jusqu'à ce que le réglage de la température atteigne 64 °F (18 °C).

E. Bouton « - »

Chaque pression sur ce bouton diminue le réglage de la température de 1 °F ou 1 °C jusqu'à ce que le réglage de la température atteigne 37 °F (3 °C).

F. « Conversion d'unités °F et °C »

Appuyer sur les boutons « + » et « - » en même temps et l'écran affichera le compte à rebours « 3, 2, 1 », puis les unités se convertiront de « °F » à « °C » ou de « °C » à « °F ».

Réglage de la température

- Régler la température de refroidissement souhaitée en appuyant sur les boutons « + » ou « - ». Chaque pression sur les boutons fait défiler le réglage de température disponible par incréments de 1 degré. La température sélectionnée clignote sur l'afficheur à DEL pendant environ 5 secondes, puis revient à la température de la caisse interne.
- Le réglage de la température peut être ajusté de 37 °F (3 °C) à 64 °F (18 °C). La température pré-réglée en usine est de 54 °F (12 °C).
- Pour afficher la température actuelle à tout moment, appuyer sur l'un des boutons « + » ou « - » pendant environ 5 secondes, et la température réglée clignote temporairement sur l'afficheur à DEL pendant 5 secondes.

- Lors de l'appui sur les boutons « + » ou « - », le système entre en mode de configuration. La DEL clignote et affiche le réglage de température. Lors du dépassement de la valeur minimale qui peut être atteinte, la valeur de température réglable la plus élevée reste.

REMARQUE : En cas de coupure de courant ou si l'appareil est débranché pendant le mode de réglage, la température réglée sera effacée et le système reviendra au réglage d'usine (54 °F (12 °C)).

- Plage de température et emplacement recommandés lors de la conservation du vin :
Blanc - 43 °F - 50 °F (6°C - 10°C) Tablettes supérieures
Rouge - 53 °F - 61 °F (12 °C - 16 °C) Tablettes inférieures

Caractéristiques

■ Rappel de température

En cas de coupure de courant, le réfrigérateur pour boissons se souviendra du réglage de température précédent, et lorsque le courant est rétabli, le réfrigérateur pour boissons reviendra à la même température de réglage qu'avant la coupure de courant.

■ Alarme de porte ouverte

Lorsqu'on oublie de fermer la porte ou que la porte n'est pas complètement fermée, l'alarme retentit après un délai de 5 minutes. Fermer complètement la porte pour éviter toute perte d'énergie.

■ Alarme de température

Si la température intérieure du réfrigérateur pour boissons est supérieure à 73 °F (23 °C), « HI » (élevée) s'affiche et l'alarme retentit en continu. Cela indique que la température intérieure est trop élevée. Déterminer la cause. Voir « Dépannage ».
Si la température intérieure du réfrigérateur pour boissons est inférieure à 32 °F (0 °C), « LO/CL » (basse) s'affiche et l'alarme retentit en continu. Cela indique que la température intérieure est trop basse.

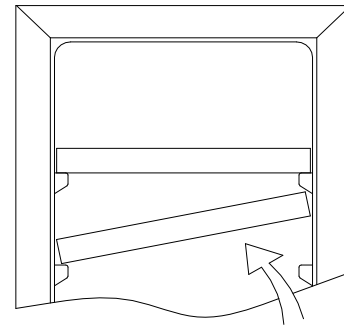
REMARQUE : Lorsque le réfrigérateur pour boissons est branché pour la première fois, après 6 heures si le capteur de température détecte une température inférieure à 32 °F (0 °C), l'alarme retentit et l'écran affiche « LO » (basse). Si la température reste inférieure à 32 °F (0 °C) pendant 15 minutes supplémentaires, l'écran change et affiche « CL ». Cette alarme de température « CL » ne peut être désactivée qu'en déconnectant l'alimentation électrique.

IMPORTANT :

Si l'appareil est débranché, le courant est coupé, ou l'appareil est éteint, il faut attendre 3 à 5 minutes avant que le réfrigérateur pour boissons redémarre. Pendant ce temps, l'afficheur à DEL affiche la différence de température entre la température réglée et la température intérieure.

Tablettes

- Pour éviter d'endommager le joint de la porte, s'assurer que la porte est complètement ouverte lors du retrait des tablettes du compartiment.
- Pour un accès facile au contenu de stockage, l'on peut retirer les tablettes d'environ 1/3 du compartiment. Cet appareil a été conçu avec une encoche de chaque côté de la tablette pour empêcher les bouteilles de tomber.
Se référer aux instructions suivantes pour retirer et remplacer les tablettes.
Lors du retrait d'une de ces tablettes du compartiment, incliner la tablette selon le schéma et tirer simplement ou pousser la tablette jusqu'à ce qu'elle repose fermement sur les supports.



ENTRETIEN DU RÉFRIGÉRATEUR POUR BOISSONS

Nettoyage

⚠ AVERTISSEMENT



Risque d'explosion

Utiliser un produit de nettoyage ininflammable.

Le non-respect de cette instruction peut causer un décès, une explosion ou un incendie.

Nettoyer le réfrigérateur pour boissons environ une fois par mois afin d'éviter toute accumulation d'odeurs. Essuyer les renversements immédiatement.

Pour nettoyer le réfrigérateur pour boissons :

1. Débrancher le réfrigérateur pour boissons ou déconnecter la source de courant électrique.
2. Retirer toutes les grilles et tablettes de l'intérieur du réfrigérateur pour boissons. Voir les instructions dans la section « Tablettes ».
3. Laver à la main, rincer et sécher les pièces amovibles et les surfaces internes soigneusement. Utiliser une éponge propre ou un linge doux et un détergent doux dans de l'eau tiède.
 - Ne pas utiliser de nettoyants puissants ou abrasifs tels que les nettoyants à vitre en atomiseurs, nettoyants à récurer, liquides inflammables, cires nettoyantes, détergents concentrés, agents de blanchiment ou nettoyants contenant du pétrole sur les pièces en plastique, les garnitures intérieures et garnitures de portes ou sur les joints de portes. Ne pas utiliser d'essuie-tout, de tampons à récurer ou un autre outil de nettoyage abrasif. Ces produits risquent d'égratigner ou d'endommager les matériaux.
 - Pour aider à éliminer les odeurs, on peut laver les parois intérieures avec un mélange d'eau tiède et de bicarbonate de soude (2 c. à soupe pour 1 pinte [26 g pour 0,95 L] d'eau).
4. Laver les surfaces extérieures en acier inoxydable et surfaces extérieures peintes avec une éponge propre ou un linge doux et un détergent doux dans de l'eau tiède. Ne pas utiliser de produits de nettoyage forts ou abrasifs, ni de nettoyants à base de chlore. Ces produits risquent d'égratigner ou d'endommager les matériaux. Sécher soigneusement au moyen d'un chiffon doux.

5. Réinstaller les grilles et tablettes.
6. Nettoyer régulièrement les serpentins du condenseur. Ils sont situés derrière la grille de la base. Il se peut que les serpentins aient besoin d'être nettoyés tous les deux mois. Ce nettoyage peut aider à économiser de l'énergie.
 - Retirer la grille de la base. Voir « Grille de base ».
 - Utiliser un aspirateur avec un accessoire long pour nettoyer les serpentins du condenseur lorsqu'ils sont sales ou poussiéreux.
 - Réinstaller la grille de la base.
7. Brancher le réfrigérateur pour boissons ou reconnecter la source de courant électrique.

Éclairage du réfrigérateur pour boissons

- Le réfrigérateur pour boissons comporte une bande lumineuse à DEL intérieure qui peut être éteinte ou rester allumée selon les préférences. Se reporter à la section « Utilisation du réfrigérateur pour boissons » pour obtenir des informations sur la commande de l'éclairage intérieur.

Précautions à prendre avant les vacances ou le déménagement

Vacances

Si l'on choisi d'arrêter le réfrigérateur pour boissons avant de partir, suivre ces étapes.

1. Retirer toutes les boissons du réfrigérateur pour boissons.
2. Débrancher le réfrigérateur pour boissons.
3. Nettoyer le réfrigérateur pour boissons. Voir la section « Nettoyage ».
4. À l'aide d'un ruban adhésif, placer un bloc de caoutchouc ou de bois dans la partie supérieure de la porte de façon à ce qu'elle soit suffisamment ouverte pour permettre l'entrée de l'air à l'intérieur, afin d'éviter l'accumulation d'odeur ou de moisissure.

Déménagement

En cas de déplacement du réfrigérateur pour boissons dans une nouvelle habitation, suivre ces étapes pour préparer le déménagement.

1. Retirer toutes les boissons du réfrigérateur pour boissons.
2. Débrancher le réfrigérateur pour boissons.
3. Nettoyer le réfrigérateur pour boissons. Voir la section « Nettoyage ».
4. Retirer toutes les pièces amovibles, bien les envelopper et les attacher ensemble avec du ruban adhésif pour qu'elles ne bougent et ne s'entrechoquent pas durant le déménagement.
5. Fermer les portes à l'aide de ruban adhésif et fixer le cordon d'alimentation à la caisse du réfrigérateur pour boissons.

Lors de l'arrivée au nouveau domicile, remettre tout en place et consulter la section « Instructions d'installation » pour les instructions de préparation.

DÉPANNAGE

⚠ AVERTISSEMENT



Risque de choc électrique

Brancher sur une prise à 3 alvéoles reliée à la terre.

Ne pas enlever la broche de liaison à la terre.

Ne pas utiliser un adaptateur.

Ne pas utiliser un câble de rallonge.

Le non-respect de ces instructions peut causer un décès, un incendie ou un choc électrique.

Essayer d'abord les solutions suggérées ici afin d'éviter le coût d'une intervention de dépannage inutile.

Si les problèmes suivants surviennent	Causes possibles	Solution
Le réfrigérateur pour boisson ne fonctionne pas	Le cordon d'alimentation électrique est-il débranché?	Brancher l'appareil sur une prise à 3 alvéoles reliée à la terre.
	Un fusible est-il grillé ou un disjoncteur s'est-il déclenché?	Remplacer le fusible ou réenclencher le disjoncteur.
	La commande du réfrigérateur pour boissons est-elle réglée à la position OFF (arrêt)?	Voir « Utilisation du réfrigérateur pour boissons ».
L'éclairage ne fonctionne pas	Le cordon d'alimentation électrique est-il débranché?	Brancher l'appareil sur une prise à 3 alvéoles reliée à la terre.
	L'éclairage est-il éteint?	Voir la section « Éclairage du réfrigérateur pour boissons » de ce guide d'utilisation. Le réfrigérateur pour boissons est muni d'une bande lumineuse à DEL qui ne doit pas être remplacée par l'utilisateur. Si le réfrigérateur pour boissons est sous tension et que la commande d'éclairage est activée mais la bande lumineuse de s'allume pas, appeler le service d'entretien ou l'assistance.
Le moteur semble fonctionner excessivement	La température ambiante est-elle plus élevée que d'habitude?	Prévoir que le moteur fonctionnera plus longtemps dans des conditions de chaleur. Pour des températures normales, prévoir que le moteur fonctionne environ 40 % à 80 % du temps. Lorsqu'il fait chaud, s'attendre à ce qu'il fonctionne encore plus longtemps.
	La porte est-elle ouverte fréquemment?	Prévoir que le moteur fonctionne plus longtemps dans ce cas. Afin de conserver l'énergie, essayer de sortir du réfrigérateur pour boissons tout ce dont l'on souhaite en une fois, placer les bouteilles de vin avec l'étiquette orientée vers le haut de sorte qu'elles soient faciles à trouver et fermer la porte dès que le vin a été retiré.

Essayer d'abord les solutions suggérées ici afin d'éviter le coût d'une intervention de dépannage inutile.

Si les problèmes suivants surviennent	Causes possibles	Solution
Le moteur semble fonctionner excessivement (suite)	Le réglage est-il correct pour les conditions existantes?	Voir « Utilisation du réfrigérateur pour boissons ».
	La porte est-elle bien fermée?	Bien fermer la porte. Si elle ne ferme pas complètement, voir « La porte ne ferme pas complètement » plus loin dans cette section.
	Les serpentins du condenseur sont-ils sales?	Cette situation fait obstruction au transfert de l'air et fait travailler davantage le moteur. Nettoyer les serpentins du condenseur. Voir la section « Nettoyage ».
La température est trop élevée	La porte est-elle ouverte fréquemment?	Savoir que le réfrigérateur pour boissons se réchauffera dans ce cas. Afin de garder le garder l'appareil froid, essayer de sortir du réfrigérateur cooler pour boissons tout ce dont l'on souhaite en une fois, placer les bouteilles de vin avec l'étiquette orientée vers le haut de sorte qu'elles soient faciles à trouver et fermer la porte dès que le vin a été retiré.
	Le réglage est-il correct pour les conditions existantes?	Voir « Utilisation du réfrigérateur pour boissons ».
	La grille de la base est-elle obstruée?	Pour le meilleur rendement, ne pas installer le réfrigérateur pour boissons derrière une porte d'armoire ni obstruer la grille de la base.
Il y a accumulation d'humidité à l'intérieur	La porte est-elle ouverte fréquemment?	Pour éviter une accumulation d'humidité, essayer de sortir du réfrigérateur pour boissons tout ce dont l'on souhaite en une fois, placer les bouteilles de vin avec l'étiquette orientée vers le haut de sorte qu'elles soient faciles à trouver et fermer la porte dès que le vin a été retiré. Lorsque la porte est ouverte, l'humidité de l'air extérieur pénètre dans le réfrigérateur pour boissons. Plus la porte est ouverte, plus l'humidité s'accumule rapidement, surtout lorsque la pièce est très humide.
	La pièce est-elle humide?	Il est normal que de l'humidité s'accumule à l'intérieur du réfrigérateur pour boissons lorsque l'air est humide.
	Le réglage est-il correct pour les conditions existantes?	Voir « Utilisation du réfrigérateur pour boissons ».

⚠ AVERTISSEMENT



Risque d'explosion

Utiliser un produit de nettoyage ininflammable.

Le non-respect de cette instruction peut causer un décès, une explosion ou un incendie.

La porte est difficile à ouvrir	Le joint est-il sale ou collant?	Nettoyer le joint et la surface avec laquelle il est en contact. Frotter en appliquant une fine couche de paraffine sur le joint après le nettoyage.
La porte ne ferme pas complètement	Les grilles ou tablettes sont-elles bien en place?	Remettre les grilles et tablettes en bonne position. Voir la section « Tablettes » pour plus d'informations.
	Le joint colle-t-il?	Nettoyer le joint et la surface avec laquelle il est en contact. Frotter en appliquant une fine couche de paraffine sur le joint après le nettoyage.

ASSISTANCE OU DÉPANNAGE

Avant de faire un appel pour assistance ou dépannage, vérifiez la section «Dépannage». Cette vérification peut vous faire économiser le coût d'une intervention de dépannage. Pour de l'aide supplémentaire, suivez les instructions ci-dessous.

Avant d'appeler, ayez à portée de la main la date d'achat, ainsi que les numéros de modèle et de série complets de l'appareil. Ces renseignements nous aideront à mieux répondre à votre demande.

Si vous avez besoin de pièces de rechange

Si vous avez besoin de commander des pièces de rechange, nous vous recommandons d'utiliser seulement les pièces de rechange spécifiées par l'usine. Les pièces de rechange spécifiées par l'usine seront adaptées et fonctionneront bien car elles sont fabriquées selon les mêmes spécifications précises que celles utilisées dans la fabrication de chaque nouvel appareil Gladiator®.

Pour savoir où trouver des pièces de rechange spécifiées par l'usine dans votre région, appelez-nous ou communiquez avec le centre de service désigné le plus proche.

Aux É.-U.

Appelez sans frais au Centre pour l'eXpérience de la clientèle Gladiator au **1 866 342-4089**.

Nos conseillers peuvent vous aider avec les points suivants :

- Caractéristiques et spécifications de notre gamme complète d'appareils ménagers.
- Renseignements sur l'installation.
- Procédures d'utilisation et d'entretien.
- Vente d'accessoires et de pièces de rechange.
- Assistance spécialisée au client (langue espagnole, malentendants, malvoyants, etc.).
- Orientation vers des revendeurs, distributeurs de pièces de rechange et services de réparation locaux. Les techniciens de service désignés par Gladiator sont formés pour remplir la garantie des produits et fournir un service après garantie partout aux États-Unis.

Pour localiser la compagnie de service désignée par Gladiator dans votre région, vous pouvez également consulter les Pages jaunes.

Pour plus d'assistance

Si vous avez besoin de plus d'assistance, vous pouvez écrire à Gladiator en soumettant tout question ou problème à :

Gladiator Brand Home Appliances
Customer eXperience Center
553 Benson Road
Benton Harbor, MI 49022-2692

Veuillez indiquer dans votre correspondance un numéro de téléphone où l'on peut vous joindre dans la journée.

Au Canada

Appelez sans frais le Centre pour l'eXpérience de la clientèle canadienne de Gladiator au : **1-800-807-6777**, ou visitez notre site Web au **www.gladiatorgarageworks.ca**.

Nos conseillers peuvent vous aider avec les points suivants :

- Caractéristiques et spécifications de notre gamme complète d'appareils ménagers.
- Procédures d'utilisation et d'entretien.
- Vente d'accessoires et de pièces de rechange.
- Programmation d'une intervention de dépannage. Les techniciens de service désignés de Gladiator sont formés pour remplir la garantie des produits et fournir un service après la garantie, partout au Canada.

Pour plus d'assistance

Si vous avez besoin de plus d'assistance, vous pouvez écrire à Gladiator Canada en soumettant toute question ou tout problème à :

Gladiator Brand Home Appliances
Customer eXperience Center
200 – 6750 Century Ave.
Mississauga, Ontario L5N 0B7

Veuillez indiquer dans votre correspondance un numéro de téléphone où l'on peut vous joindre dans la journée.

GARANTIE

Pour des informations concernant la garantie :

Aux États-Unis, composez le **1 866 342-4089** ou visitez notre site Web à **www.gladiatorgarageworks.com**

Au Canada, composez le **1-800-807-6777** ou visitez notre site Web à **www.gladiatorgarageworks.ca**

SEGURIDAD DEL ENFRIADOR DE BEBIDAS

Su seguridad y la seguridad de los demás es muy importante.

Hemos incluido muchos mensajes importantes de seguridad en este manual y en su electrodoméstico. Lea y obedezca siempre todos los mensajes de seguridad.



Este es el símbolo de alerta de seguridad.

Este símbolo le llama la atención sobre peligros potenciales que pueden ocasionar la muerte o una lesión a usted y a los demás.

Todos los mensajes de seguridad irán a continuación del símbolo de advertencia de seguridad y de la palabra "PELIGRO" o "ADVERTENCIA". Estas palabras significan:

 **PELIGRO**

Si no sigue las instrucciones de inmediato, usted puede morir o sufrir una lesión grave.

 **ADVERTENCIA**

Si no sigue las instrucciones, usted puede morir o sufrir una lesión grave.

Todos los mensajes de seguridad le dirán el peligro potencial, le dirán cómo reducir las posibilidades de sufrir una lesión y lo que puede suceder si no se siguen las instrucciones.

INSTRUCCIONES DE SEGURIDAD IMPORTANTES

ADVERTENCIA: Para reducir el riesgo de incendio, descarga eléctrica o lesiones personales al usar su enfriador de bebidas, siga estas precauciones básicas:

- Conecte el producto a un contacto de pared de 3 terminales con conexión a tierra.
- No quite el terminal de conexión a tierra.
- No use un adaptador.
- No use un cable de extensión.
- Desconecte el suministro de energía antes de realizar el servicio.
- Vuelva a colocar todas las piezas y paneles antes de ponerlo a funcionar.
- Remueva la puerta o el(los) cajón(cajones) de su aparato refrigerado viejo.
- Use un limpiador no inflamable.
- Mantenga los materiales y vapores inflamables, como gasolina, alejados del enfriador de bebidas.
- Se necesitan dos o más personas para mover e instalar el enfriador de bebidas.
- Mantenga las aperturas de ventilación, en el gabinete del electrodoméstico o en la estructura integrada, libres de obstrucciones.
- No use dispositivos mecánicos ni otros medios para acelerar el proceso de descongelación, sino solo los recomendados por el fabricante.
- No dañe el circuito de refrigerante.
- No use aparatos eléctricos dentro de los compartimientos de almacenamiento de alimentos de los electrodomésticos, a menos que sean del tipo recomendado por el fabricante.

GUARDE ESTAS INSTRUCCIONES

Cómo deshacerse adecuadamente de su aparato refrigerado viejo

⚠ ADVERTENCIA

Peligro de Asfixia

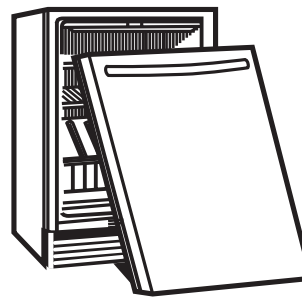
Remueva las puertas de su refrigerador viejo.

No seguir esta instrucción puede ocasionar la muerte o daño al cerebro.

IMPORTANTE: Los niños que quedan atrapados y la asfixia no son problemas del pasado. Los refrigeradores tirados o abandonados son un peligro, aunque sea "por unos pocos días". Si está por deshacerse de su refrigerador viejo, siga las instrucciones que figuran a continuación para prevenir accidentes.

ADVERTENCIA: Existe el riesgo de que los niños puedan quedar atrapados. Antes de tirar su viejo refrigerador o congelador:

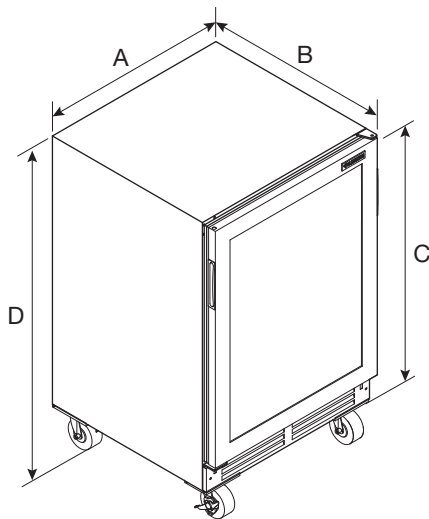
- Retire las puertas.
- Deje los estantes en su lugar para que los niños no puedan introducirse con facilidad.



Información importante para saber acerca del desecho de refrigerantes:

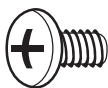
Deshágase del refrigerador siguiendo los reglamentos federales y locales. Los refrigerantes deberán ser evacuados por un técnico certificado en refrigeración por EPA (Agencia de protección del medioambiente) según los procedimientos establecidos.

DIMENSIONES

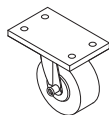


MODELO	GABC05FDKG
A	23.8" (60,5 cm)
B	23.8" (60,5 cm)
C	33.9" (86,1 cm)
D	36.4" (92,5 cm)

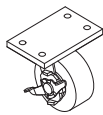
Herramientas y piezas



F1



P1



P2

Rótulo	Descripción	Cantidad
F1	Tornillos de cabeza Phillips	8
P1	Ruedas giratorias	2
P2	Ruedas fijas	2

- Reúna todas las herramientas y piezas necesarias antes de comenzar el ensamblaje.
- Lea el manual completo antes de comenzar el ensamblaje.

Herramientas necesarias:

- Destornillador Phillips N° 2

INSTRUCCIONES DE INSTALACIÓN

Requisitos de ubicación

⚠ ADVERTENCIA



Peligro de Explosión

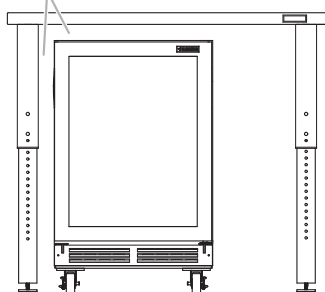
Mantenga los materiales y vapores inflamables, tales como gasolina, alejados del refrigerador.

No seguir esta instrucción puede ocasionar la muerte, explosión, o incendio.

Para asegurar la adecuada ventilación para su enfriador de bebidas, deje un espacio de 1/4" (6,35 mm) a cada lado y por encima. Si Ud. instala el enfriador de bebidas próximo a una pared fija, deje como mínimo 2½" (6,35 cm) del lado de la bisagra para permitir que la puerta abra bien.

NOTA: No se recomienda instalar el enfriador de bebidas cerca de un horno, radiador u otra fuente de calor. No lo instale en un lugar donde la temperatura pueda descender a menos de 0 °F (-17 °C) o ascender a más de 110 °F (43 °C). Para obtener un óptimo funcionamiento, no instale el enfriador de bebidas detrás de la puerta de un armario ni bloquee la rejilla de la base.

1" (25,4 mm)



NOTA: Asegúrese de colocar su enfriador de bebidas en una ubicación que no permita que las puertas de vehículos o cualquier otro objeto entre en contacto con la puerta de vidrio.

Requisitos eléctricos

⚠ ADVERTENCIA



Peligro de Choque Eléctrico

Conecte a un contacto de pared de conexión a tierra de 3 terminales.

No quite el terminal de conexión a tierra.

No use un adaptador.

No use un cable eléctrico de extensión.

No seguir estas instrucciones puede ocasionar la muerte, incendio o choque eléctrico.

Antes de mover su enfriador de bebidas a su ubicación final, es importante asegurarse de tener la conexión eléctrica adecuada.

Método de conexión a tierra recomendado

Se requiere un suministro eléctrico de 115 V, 60 Hz, CA solamente, con fusibles de 15 o 20 A, debidamente conectado a tierra. Se recomienda contar con un circuito por separado que alimente únicamente el enfriador de bebidas. Use un tomacorriente que no se pueda apagar con un interruptor. No use un cable de extensión.

NOTA: Antes de hacer cualquier tipo de instalación o limpieza, desconecte el enfriador de bebidas de la fuente de suministro de electricidad. Cuando haya finalizado, vuelva a conectar el enfriador de bebidas a la fuente de electricidad.

Desembalaje del enfriador de bebidas

⚠ ADVERTENCIA

Peligro de Peso Excesivo

Use dos o más personas para mover e instalar el refrigerador para bebidas.

No seguir esta instrucción puede ocasionar una lesión en la espalda u otro tipo de lesiones.

Cuando mueva su refrigerador para bebidas:

Su refrigerador para bebidas es muy pesado. Cuando mueva el electrodoméstico para limpiarlo y darle servicio, cerciórese de cubrir el piso con cartón o madera para evitar daños en el mismo. Al mover el electrodoméstico, siempre tire directamente hacia afuera. No menee el electrodoméstico de lado a lado ni lo haga “caminar” cuando lo trate de mover ya que podría dañar el piso.

Cómo retirar el material de embalaje

- Quite la cinta y los residuos de pegamento de las superficies antes de encender el enfriador de bebidas. Frote con los dedos un poco de detergente líquido para vajilla sobre el pegamento. Limpie con agua tibia y seque.
- No use instrumentos filosos, alcohol para fricciones, líquidos inflamables o limpiadores abrasivos para eliminar los restos de cinta o de adhesivo. Esos productos pueden dañar la superficie del enfriador de bebidas. Para obtener más información, vea “Seguridad del enfriador de bebidas”.
- Deseche o recicle todo el material de embalaje.

Limpieza antes del uso

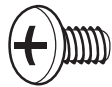
Una vez que haya quitado todos los materiales de empaque, limpie el interior de su enfriador de bebidas antes de usarlo. Vea las instrucciones de limpieza en “Cuidado del enfriador de bebidas”.

Información importante para saber acerca de los estantes y tapas de vidrio:

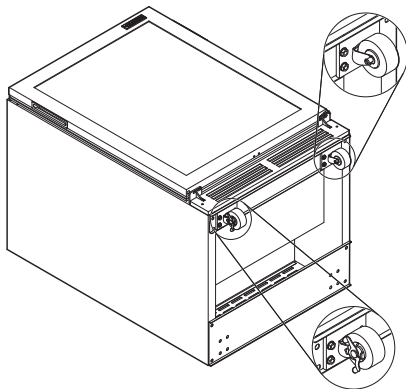
No limpie los estantes y tapas de vidrio con agua caliente mientras están fríos. Los estantes y tapas pueden romperse si se exponen a cambios bruscos de temperatura o impacto, como sería un golpe brusco. El vidrio templado se ha diseñado para hacerse añicos. Esto es normal. Los estantes y tapas de vidrio son muy pesados. Use ambas manos al sacarlos para evitar que se caigan.

Instalación de las ruedecillas

1. Instalación de las ruedecillas delanteras

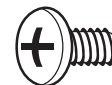


F1
Tornillos de cabeza Phillips

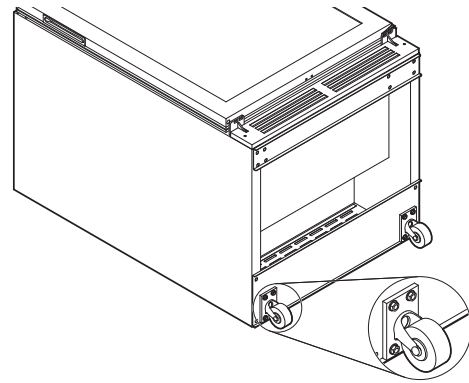


Para fijar la ruedecilla, usando dos o más personas, baje el enfriador de bebidas sobre la parte posterior. Las ruedecillas delanteras están fijas y tienen un freno de costado. El freno debe mirar hacia afuera del enfriador de bebidas. Para fijar las ruedecillas fijas a la ubicación delantera, alinee los agujeros en las ruedecillas con los agujeros y las lengüetas en el frente de la placa de montaje como se muestra. Coloque cada ruedecilla fija con 2 tornillos de cabeza Phillips (F1).

2. Instalación de las ruedecillas posteriores



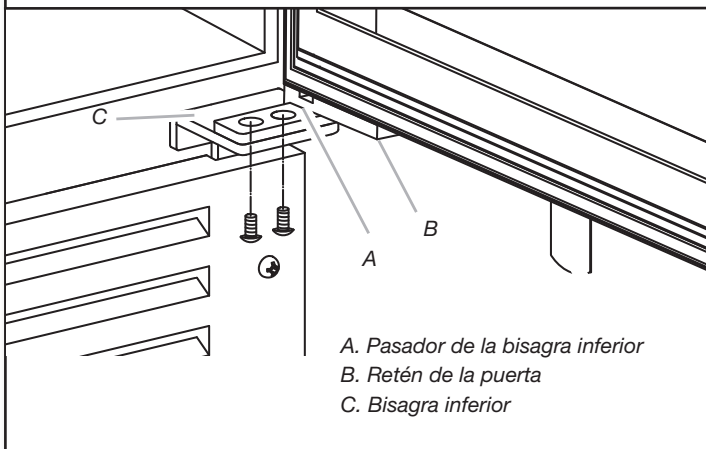
F1
Tornillos de cabeza Phillips



Las ruedecillas posteriores giran para permitir facilidad de movilidad del enfriador de bebidas. Para fijar las ruedecillas giratorias posteriores a la ubicación posterior, alinee los agujeros en las ruedecillas con los agujeros y las lengüetas en la placa de montaje posterior como se muestra. Fije cada ruedecilla giratoria con 2 tornillos de cabeza Phillips (F1). Vuelva a colocar el enfriador de bebidas en su posición vertical.

Cambio del sentido de abertura de la puerta (opcional)

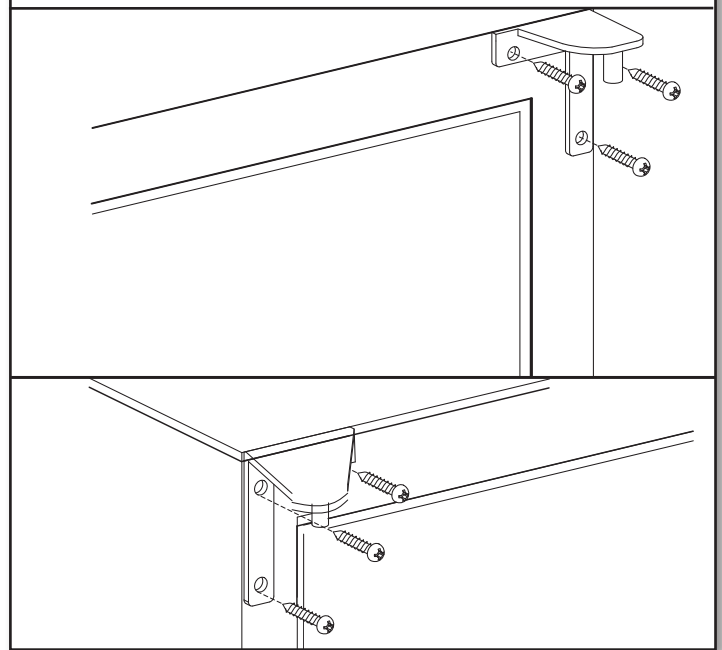
1. Saque la bisagra inferior



Abra la puerta en un ángulo de 90° y retire los dos tornillos para la bisagra inferior de la puerta.

Retire la puerta tirando hacia arriba para quitarla del enfriador de bebidas.

2. Saque la bisagra superior

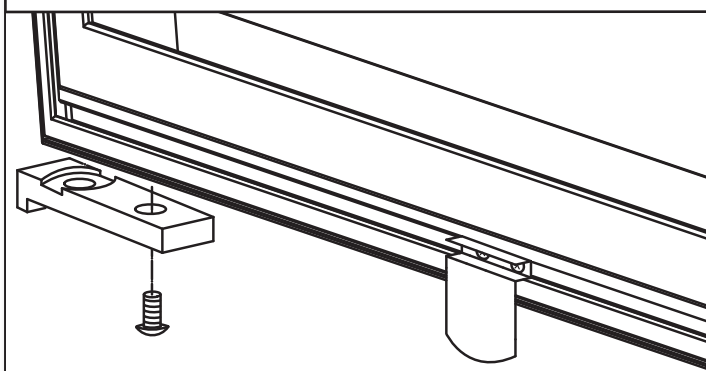


NOTA: Hay dos bisagras para la instalación de puerta con cambio de sentido de abertura, uno para abertura del lado derecho y uno para abertura del lado izquierdo. Instale la bisagra superior diseñada para la apertura de puerta deseada.

Retire los tres tornillos de la bisagra superior y luego retire la bisagra. Use los tres tornillos retirados en el paso anterior, fije la bisagra superior correcta a la esquina superior inversa del frente del enfriador de bebidas.

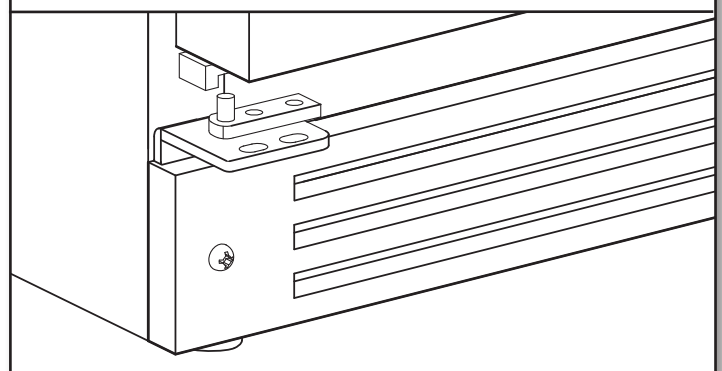
Retire los tres tornillos decorativos de la esquina superior del frente del enfriador de bebidas. Inserte los tres tornillos decorativos en los tres agujeros en la esquina superior inversa del frente del enfriador de bebidas.

3. Quite el retén de la puerta



Quite los tornillos del retén de la puerta, retire el retén de la puerta. Fije el retén de la puerta al lado opuesto de la puerta.

4. Fije la bisagra inferior



Fije la bisagra inferior al lado inverso de la puerta. Inserte la esquina superior de la puerta dentro del pasador de la bisagra superior, y vuelva a instalar la puerta en el enfriador de bebidas. Presione la puerta y el pasador de la bisagra inferior en la bisagra inferior. Verifique el alineamiento y los sellos de la puerta. Ajuste los tornillos de la bisagra (según sea necesario).

Cierre de la puerta

Cierre de la puerta (si se instala sin ruedecillas)

Su enfriador de bebidas tiene cuatro patas niveladoras. Si su enfriador de bebidas parece inestable o usted desea que las puertas se cierren con mayor facilidad, ajuste la inclinación del enfriador de bebidas siguiendo las instrucciones a continuación:

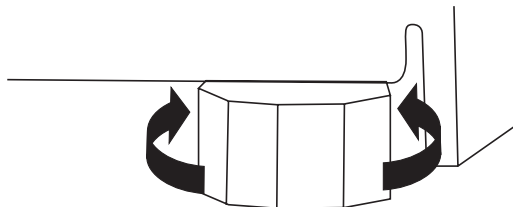
⚠ ADVERTENCIA

Peligro de Peso Excesivo

Use dos o más personas para mover e instalar el refrigerador para bebidas.

No seguir esta instrucción puede ocasionar una lesión en la espalda u otro tipo de lesiones.

1. Cierre de la puerta



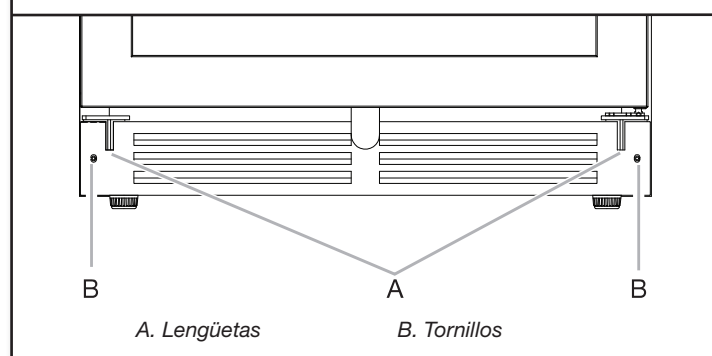
Mueva el enfriador de bebidas hasta su ubicación final. Gire las patas niveladoras hacia la derecha para bajar el enfriador de bebidas o gírelas hacia la izquierda para levantarlo. Puede precisar darle varias vueltas a las patas niveladoras para ajustar la inclinación del enfriador de bebidas.

NOTA: Para quitar un poco de peso de las patas niveladoras, haga que alguien empuje contra la parte superior del enfriador de bebidas. Esto facilita el ajuste de las mismas.

Asegúrese de que la puerta cierre con la facilidad que desea. De lo contrario, incline el enfriador de bebidas ligeramente más hacia la parte posterior, girando ambos tornillos reguladores hacia la izquierda. Puede requerir varias vueltas más y se deberán girar ambas patas niveladoras la misma cantidad de veces.

Rejilla de la base

1. Quite la rejilla de la base



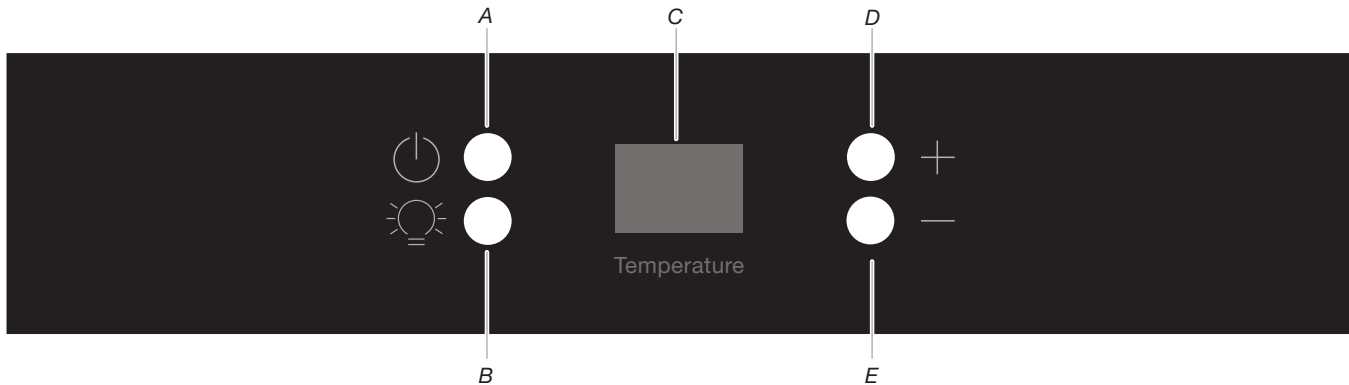
Abra la puerta del enfriador de bebidas. Saque los dos tornillos con un destornillador Phillips. Empuje ambas lengüetas hacia el centro para liberar la rejilla de la base del enfriador de bebidas. Retire la rejilla de la base.

Vuelva a colocar la rejilla de la base

Abra la puerta del enfriador de bebidas.

Coloque la rejilla de la base de manera que ambas lengüetas estén alineadas y la rejilla de la base encaje en su lugar. Vuelva a colocar los dos tornillos. Ajuste los tornillos.

OPERACIÓN DE SU ENFRIADOR DE BEBIDAS



A. Suministro eléctrico
B. Luz
C. Pantalla de temperatura

D. Disminución de temperatura
E. Aumento de temperatura

Botones

A. Botón “⏻”

Presione este botón durante 3 segundos para apagar el sistema. En este modo, solo funcionará la luz LED. Presione este botón nuevamente para encender el sistema.

B. Botón “☀️”

Oprima el botón Light (luz) para encender y apagar la luz dentro del compartimiento del enfriador de bebidas. En enfriador de bebidas permanecerá iluminado por 10 minutos (incluso con la puerta cerrada) cuando la luz esté encendida. Cuando la luz esté apagada, el compartimiento del enfriador de bebidas se iluminará cuando se abra la puerta. La luz se apagará cuando se cierre la puerta.

C. “Temperature” (Temperatura)

Muestra la temperatura actual dentro del enfriador de bebidas.

D. Botón “+”

Cada vez que presione este botón, se aumentará el ajuste de temperatura 1°F o 1°C hasta que alcance los 64°F (18°C).

E. Botón “-”

Cada vez que presione este botón, se disminuirá el ajuste de temperatura 1°F o 1°C hasta que alcance los 37°F (3°C).

F. “Conversión de unidades °F y °C”

Oprima el botón “+” y “-” al mismo tiempo y la pantalla mostrará un conteo de “3, 2, 1”, y luego las unidades convertirán entre “°F” y “°C” o “°C” y “°F”.

- Cuando presione los botones “+” o “-”, el sistema ingresará en el modo de programación. La luz LED parpadeará y mostrará el ajuste de temperatura. Cuando exceda el valor mínimo que se puede alcanzar, permanecerá en el valor de temperatura ajustable más alto.

NOTA: En el caso de un corte de energía o si la unidad se desconecta durante el modo de programación, la temperatura preestablecida se eliminará y el sistema regresará al ajuste de fábrica (54°F).

- Rango de temperatura recomendado y ubicación cuando se almacena vino:
Blanco - 43°F - 50°F (6°C - 10°C) Estantes superiores
Rojo - 53°F - 61°F (12°C - 16°C) Estantes inferiores

Características

■ Recolección de temperatura

En el caso de un corte de energía, el enfriador de bebidas recordará el ajuste de temperatura anterior, y cuando se restablezca la energía, el enfriador de bebidas regresará al mismo ajuste de temperatura que antes del corte de energía.

■ Alarma de puerta abierta

Cuando usted olvida cerrar la puerta o la puerta no se cierra completamente, la alarma sonará después de 5 minutos. Cierre la puerta completamente para evitar la pérdida de energía.

■ Alarma de temperatura

Si la temperatura interior del enfriador de bebidas es superior a los 73°F (23°C), se mostrará “HI” (Alto) y la alarma sonará continuamente. Informará que la temperatura interna es demasiado alta. Busque la causa. Consulte “Solución de problemas”. Si la temperatura interna del enfriador de bebidas es inferior a 32°F (0°C), se mostrará “LO/CL” (Bajo) y la alarma sonará continuamente. Informará que la temperatura interna es demasiado baja.

NOTA: Cuando se conecte el enfriador de bebidas por primera vez, después de seis horas, si el sensor detecta una temperatura menos a los 32°F (0°C) sonará la alarma y en la pantalla aparecerá un “LO”. Si la temperatura permanece por debajo de los 32°F (0°C) por 15 minutos más, la pantalla cambiará y mostrará “CL”. Esta alarma de temperatura solo puede apagarse si se desconecta la corriente.

■ IMPORTANTE:

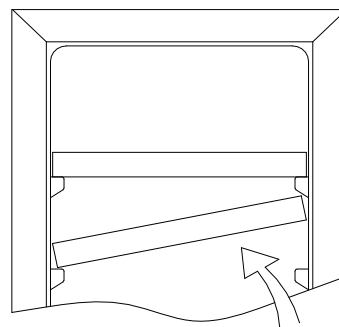
Si se desconecta la unidad, se pierde la energía o se apaga, debe esperar 3 a 5 minutos antes de reiniciar el enfriador de bebidas. Durante este tiempo, la pantalla LED mostrará la diferencia de temperatura entre la temperatura preestablecida y la temperatura interna.

Ajuste de temperatura

- Establezca la temperatura de enfriamiento presionando los botones “+” o “-”. Cada vez que presione los botones, se desplazará por los ajustes de temperatura disponibles en incrementos de 1 grado. La temperatura seleccionada parpadeará en la pantalla LED durante aproximadamente 5 segundos, luego volverá a la temperatura configurada del gabinete interno.
- La configuración de temperatura se puede ajustar de 37°F (3°C) a 64°F (18°C). La temperatura preestablecida de fábrica es de 54°F (12°C).
- Para ver la temperatura real en cualquier momento, mantenga presionado y sostenga uno de los botones “+” o “-” durante aproximadamente 5 segundos, y la temperatura preestablecida parpadeará temporalmente en la pantalla LED durante 5 segundos.

Estantes

- Para evitar daños en el empaque de la puerta, asegúrese de abrir la puerta completamente cuando saque los estantes del compartimiento.
- Para facilitar el acceso al contenido, puede sacar los estantes aproximadamente 1/3 del compartimiento. Esta unidad está diseñada con una muesca de cada lado del estante para evitar que se caigan las botellas. Consulte las siguientes instrucciones para retirar y reemplazar los estantes. Cuando retire cualquiera de los estantes del compartimiento, incline el estante según el diagrama y solo jálelo, o empújelo hasta que se asiente en los soportes de apoyo de forma segura.



CUIDADO DEL ENFRIADOR DE BEBIDAS

Limpieza

⚠ ADVERTENCIA



Peligro de Explosión

Use un limpiador no inflamable.

No seguir esta instrucción puede ocasionar la muerte, explosión o incendio.

Limpie el enfriador de bebidas más o menos una vez al mes para evitar la acumulación de olores. Limpie los derrames de inmediato.

Limpieza del enfriador de bebidas:

1. Desconecte el enfriador de bebidas o desconecte la alimentación.
2. Retire todas las rejillas y los estantes del interior del enfriador de bebidas. Consulte las instrucciones en "Estantes".
3. Lave a mano, enjuague y seque todas las partes desmontables y las superficies interiores meticulosamente. Use una esponja limpia o un paño liso y un detergente suave en agua tibia.
 - No use en las partes de plástico, los revestimientos interiores o de las puertas o las juntas productos de limpieza abrasivos o fuertes, como aerosoles para ventanas, productos de limpieza para pulir, líquidos inflamables, ceras para limpieza, detergentes concentrados, blanqueadores o productos de limpieza que contengan productos derivados de petróleo. No use toallas de papel, estropajos para fregar ni otros utensilios de limpieza ásperos. Pueden rayar o dañar los materiales.
 - Para ayudar a eliminar olores, puede lavar las paredes interiores con una mezcla de agua tibia y bicarbonato de sodio (2 cucharadas en un cuarto de galón [26 g en 0,95 l] de agua).
4. Lave las superficies externas metálicas pintadas y de acero inoxidable con una esponja limpia o un paño liso y detergente suave con agua tibia. No use productos de limpieza abrasivos o ásperos o que contengan cloro. Pueden rayar o dañar los materiales. Seque meticulosamente con un paño suave.

5. Vuelva a colocar las rejillas y los estantes.
6. Limpie los serpentines del condensador regularmente. Están ubicados detrás de la rejilla de la base. Es posible que deba limpiar los serpentines cada dos meses. Esto puede ayudar a ahorrar energía.
 - Retire la rejilla de la base. Vea "Rejilla de la base".
 - Use una aspiradora con extensión para limpiar los serpentines del condensador siempre que estén sucios o polvorientos.
 - Vuelva a colocar la rejilla de la base.
7. Enchufe el enfriador de bebidas o reconecte el suministro de energía.

Iluminación del enfriador de bebidas

- El enfriador de bebidas tiene una línea interior de luces LED que puede apagarse o permanecer encendida según su preferencia. Consulte la sección "Operación de su enfriador de bebidas" para obtener información sobre el control de la luz interior.

Cuidado durante las vacaciones y las mudanzas

Vacaciones

Si decide apagar el enfriador de bebidas antes de irse, siga estos pasos.

1. Saque todas las bebidas del enfriador de bebidas.
2. Desconecte el enfriador de bebidas.
3. Limpie el enfriador de bebidas. Vea "Limpieza".
4. Fije con cinta adhesiva bloques de goma o de madera a la parte superior de la puerta de modo que quede abierta lo suficiente como para que ingrese aire. Esto evita que se acumulen olores y moho.

Mudanza

Si muda su enfriador de bebidas a una casa nueva, siga estos pasos para prepararse para la mudanza.

1. Saque todas las bebidas del enfriador de bebidas.
2. Desconecte el enfriador de bebidas.
3. Limpie el enfriador de bebidas. Vea "Limpieza".
4. Retire todas las piezas desmontables, envuélvalas bien y asegúrelas con cinta adhesiva para que no se sacudan durante la mudanza.
5. Sostenga las puertas cerradas y el cable pegados con cinta adhesiva al enfriador de bebidas.

Cuando llegue a la casa nueva, ponga todo de nuevo en su sitio y consulte la sección "Instrucciones de instalación" para obtener instrucciones de preparación.

SOLUCIÓN DE PROBLEMAS

⚠ ADVERTENCIA



Peligro de Choque Eléctrico

Conecte a un contacto de pared de conexión a tierra de 3 terminales.

No quite el terminal de conexión a tierra.

No use un adaptador.

No use un cable eléctrico de extensión.

No seguir estas instrucciones puede ocasionar la muerte, incendio o choque eléctrico.


Primero pruebe las soluciones sugeridas aquí para evitar el costo de una llamada innecesaria al servicio técnico.

Si experimenta lo siguiente	Causas posibles	Solución
Su enfriador de bebidas no funciona	¿Está desenchufado el cable de suministro eléctrico?	Conecte a un tomacorriente con conexión a tierra de 3 terminales.
	¿Hay un fusible de la casa fundido o se disparó el disyuntor?	Reemplace el fusible o reposicione el disyuntor.
	¿Está el control del enfriador de bebidas en la posición OFF (Apagado)?	Consulte "Operación de su enfriador de bebidas."
Las luces no funcionan	¿Está desenchufado el cable de suministro eléctrico?	Conecte a un tomacorriente con conexión a tierra de 3 terminales.
	¿La luz se apaga?	Consulte la sección "Iluminación del enfriador de bebidas" en este manual. El centro de bebidas está equipado con una línea de luces LED que no necesita cambiar. Si hay electricidad en el centro de bebidas, y las luces están encendidas pero no iluminan, llame a servicio técnico o asistencia.
El motor parece funcionar excesivamente	¿Está la temperatura exterior más alta de lo normal?	En condiciones de calor, el motor funciona por períodos más largos. Cuando la temperatura es normal, el motor funciona entre 40% y 80% del tiempo. En condiciones calientes, puede funcionar por más tiempo.
	¿Se abre la puerta a menudo?	Cuando esto ocurre, el motor puede funcionar por períodos más largos. Para ahorrar energía, trate de sacar todo lo que necesite del enfriador de bebidas de una vez, mantenga las botellas de vino con las etiquetas hacia arriba para que sean fáciles de encontrar y cierre la puerta una vez que se haya sacado el vino.

Primero pruebe las soluciones sugeridas aquí para evitar el costo de una llamada innecesaria al servicio técnico.

Si experimenta lo siguiente	Causas posibles	Solución
El motor parece funcionar excesivamente (continuación).	¿Se ha ajustado el control correctamente de acuerdo con las condiciones circundantes?	Consulte “Operación de su enfriador de bebidas.”
	¿Está completamente cerrada la puerta?	Cierre la puerta con firmeza. Si no se cierra completamente, vea “La puerta no cierra completamente” más adelante en esta sección.
	¿Están sucios los serpentines del condensador?	Esto obstruye la transferencia de aire y hace que el motor trabaje más. Limpie los serpentines del condensador. Vea “Limpieza”.
La temperatura está demasiado elevada	¿Se abre la puerta a menudo?	Tenga en cuenta que el enfriador de bebidas se calienta cuando esto ocurre. Para mantener el enfriador de bebidas frío, trate de sacar todo lo que necesite del enfriador de bebidas de una sola vez, mantenga las botellas de vino con las etiquetas hacia arriba para que sean fáciles de encontrar y cierre la puerta una vez que se hayan sacado los artículos.
	¿Se ha ajustado el control correctamente de acuerdo con las condiciones circundantes?	Consulte “Operación de su enfriador de bebidas.”
	¿Está bloqueada la rejilla de la base?	Para obtener un óptimo funcionamiento, no instale el enfriador de bebidas detrás de la puerta de un armario ni bloquee la rejilla de la base.
Hay acumulación de humedad en el interior	¿Se abre la puerta a menudo?	Para evitar la acumulación de humedad, trate de sacar todo lo que necesite del enfriador de bebidas de una sola vez, mantenga las botellas de vino con las etiquetas hacia arriba para que sean fáciles de encontrar y cierre la puerta una vez que se hayan sacado los artículos. Cuando la puerta está abierta, la humedad de la habitación entra al enfriador de bebidas. La humedad se acumula más rápido cuanto más seguido se abre la puerta, especialmente cuando la habitación está muy húmeda.
	¿Hay humedad?	Es normal que se acumule humedad dentro del enfriador de bebidas cuando el aire está húmedo.
	¿Se ha ajustado el control correctamente de acuerdo con las condiciones circundantes?	Consulte “Operación de su enfriador de bebidas.”

⚠ ADVERTENCIA



Peligro de Explosión

Use un limpiador no inflamable.

No seguir esta instrucción puede ocasionar la muerte, explosión o incendio.

Es difícil abrir la puerta	¿Están las empaquetaduras sucias o pegajosas?	Limpie la junta y la superficie que ésta toque. Frote una capa delgada de cera de parafina sobre la empaquetadura después de la limpieza.
La puerta no cierra completamente	¿Están fuera de posición las rejillas o los estantes?	Coloque las rejillas o los estantes en su posición correcta. Para obtener más información, vea “Estantes”.
	¿Está pegajosa la junta?	Limpie la junta y la superficie que ésta toque. Frote una capa delgada de cera de parafina sobre la empaquetadura después de la limpieza.

AYUDA O SERVICIO TÉCNICO

Antes de solicitar asistencia o servicio técnico, consulte la sección "Solución de problemas". Esto le podría ahorrar el costo de una llamada al servicio técnico.

Si considera que aún necesita ayuda, siga las instrucciones que aparecen a continuación.

Cuando llame, tenga a mano la fecha de compra y los números completos de modelo y de serie del electrodoméstico. Esta información nos ayudará a atender mejor su solicitud.

Si necesita piezas de repuesto

Si necesita pedir piezas de repuesto, recomendamos que use únicamente piezas especificadas de fábrica. Las piezas especificadas de fábrica encajarán bien y funcionarán bien ya que están confeccionadas con la misma precisión empleada en la fabricación de cada electrodoméstico nuevo de Gladiator®.

Para encontrar piezas de repuesto especificadas de fábrica en su localidad, llámenos o llame al centro de servicio técnico designado más cercano a su localidad.

En los EE. UU.

Llame al centro para la experiencia del cliente de Gladiator sin costo alguno al: **1-866-342-4089**.

Nuestros consultores ofrecen ayuda para:

- Características y especificaciones de nuestra línea completa de electrodomésticos.
- Información sobre la instalación.
- Procedimientos de uso y mantenimiento.
- Venta de accesorios y repuestos.
- Asistencia al cliente especializada (idioma español, deficiencias de audición, visión limitada, etc.).
- Recomendaciones de distribuidores locales, distribuidores de repuestos y empresas de servicio. Los técnicos de servicio oficiales de Gladiator están capacitados para cumplir con la garantía del producto y ofrecer servicio una vez que la garantía termine, en cualquier parte de los Estados Unidos.

Para localizar una compañía de servicio técnico designada por Gladiator en su área, también puede consultar la sección amarilla de su guía telefónica.

Para obtener asistencia adicional

Si necesita asistencia adicional, puede escribir a Gladiator con sus preguntas o dudas a:

Gladiator Brand Home Appliances
Customer eXperience Center
553 Benson Road
Benton Harbor, MI 49022-2692

Incluya en su correspondencia un número de teléfono en el que se le pueda localizar durante el día.

En Canadá

Llame al Centro para la experiencia del cliente de Gladiator Canadá sin costo alguno al: **1-800-807-6777**, o visite nuestro sitio web en **www.gladiatorgarageworks.ca**.

Nuestros consultores ofrecen ayuda para:

- Características y especificaciones de nuestra línea completa de electrodomésticos.
- Procedimientos de uso y mantenimiento.
- Venta de accesorios y repuestos.
- Programación de servicio. Los técnicos designados por Gladiator están capacitados para cumplir con la garantía del producto y ofrecer servicio una vez que la garantía termine en cualquier lugar de Canadá.

Para obtener asistencia adicional

Si necesita asistencia adicional, puede escribir a Gladiator Canadá con sus preguntas o dudas a:

Gladiator Brand Home Appliances
Customer eXperience Center
200 - 6750 Century Ave.
Mississauga, Ontario L5N 0B7

Incluya en su correspondencia un número de teléfono en el que se le pueda localizar durante el día.

GARANTÍA

Para obtener información sobre la garantía:

En los EE. UU., llame al: **1-866-342-4089** o visite nuestro sitio web en
www.gladiatorgarageworks.com

En Canadá, llame al: **1-800-807-6777** o visite nuestro sitio web en...
www.gladiatorgarageworks.ca

NOTES

NOTES

