

VEVOR[®]

TOUGH TOOLS, HALF PRICE

Technical Support and E-Warranty Certificate

www.vevor.com/support

Strapping Machine

MODEL: XQD19, XQD19B, XQD25

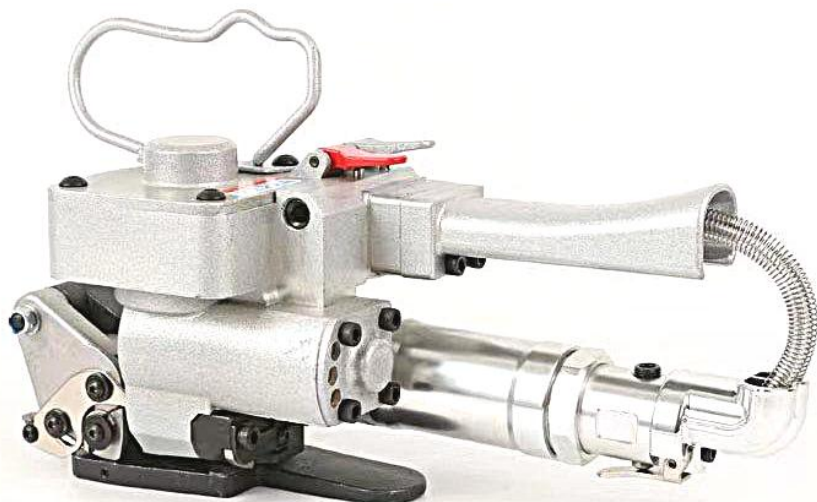
We continue to be committed to provide you tools with competitive price. "Save Half", "Half Price" or any other similar expressions used by us only represents an estimate of savings you might benefit from buying certain tools with us compared to the major top brands and does not necessarily mean to cover all categories of tools offered by us. You are kindly reminded to verify carefully when you are placing an order with us if you are actually saving half in comparison with the top major brands.

VEVOR®

TOUGH TOOLS, HALF PRICE

STRAPPING MACHINE

Model: XQD19, XQD19B, XQD25



NEED HELP? CONTACT US!

Have product questions? Need technical support? Please feel free to contact us:

Technical Support and E-Warranty Certificate
www.vevor.com/support

This is the original instruction, please read all manual instructions carefully before operating. VEVOR reserves a clear interpretation of our user manual. The appearance of the product shall be subject to the product you received. Please forgive us that we won't inform you again if there are any technology or software updates on our product.

INSTRUCTIONS

Thank you very much for choosing this Strapping Machine
- Please read all of the instructions before using it. The information will help you achieve the best possible results.
The products carried in this catalog may be different in color than the actual item.

1. Safety Instructions

Please read the Manual carefully before using this packaging machine.

General safety rules

1. Bear in mind "safety-foremost" principle, and operate this pneumatic tool properly;
2. Read the Manual carefully before operation;
3. Don't dismantle safety parts of the tool;
4. Don't tear or damage label or mark of the product;
5. Don't put your hand or other parts of your body between packaging belt and packaging tool.

Application

This tool is specially designed for binding articles with PET packaging belt;
Applicable width of packaging belt: 13, 16, 19mm;
Don't use the packaging belt for lifting.

Correct dressing

Wear safety glasses, earmuffs, protective gloves, helmet, protective footwear and long sleeve shirt, fasten all buttons; take care, your necktie, long hair and cloth shall not be hooked by the packaging machine.

Gas source

- Ensure the air supply pipe can bear pressure and is resistant to oil;
- Do not use the special quick union for air pipe; the air pressure shall not exceed 116psi/8bar;
- Use only clean compressed air, rather than gas source or dynamic source,

Ventilation

Indoor air can easily be polluted by lubricating oil;hence,the ventilation should be proper.

Vibration

It's harmful to operators if they come into contact with excessive vibration for a long time.The operation specification should conform to relevant requirements of ISO5349.

Noise

Operators shall wear earmuffs if the noise is higher than 85Db(A).Even if the noise is lower than 85Db(A),it is also recommended to wear earmuffs.

Safety glasses

If the tensing packaging belt breaks suddenly,it may hurt eyes and result in blindness,so operators shall wear safety glasses.

Note:

While cutting the packaging belt,hold its upper part,and stand at its side;the upper belt will be cut down;be careful,there should be no people in the surrounding.During maintenance and cleaning,the dust brought by air duster gun is harmful to eyes.

Moving part

During operation,the moving part (tightening pulley)may clip glove or other part of your body,so when the take-up pulley is rotating,don't touch it.

Maintenance

- Conduct daily maintenance to the machine;
- Check regularly,and remove dust with an air duster gun;
- Tighten the screws of hook;
- Turn off gas source while replacing parts.

Hazard while cutting

The sharp blade on the blade holder may hurt your hand and finger,so please wear safety gloves.

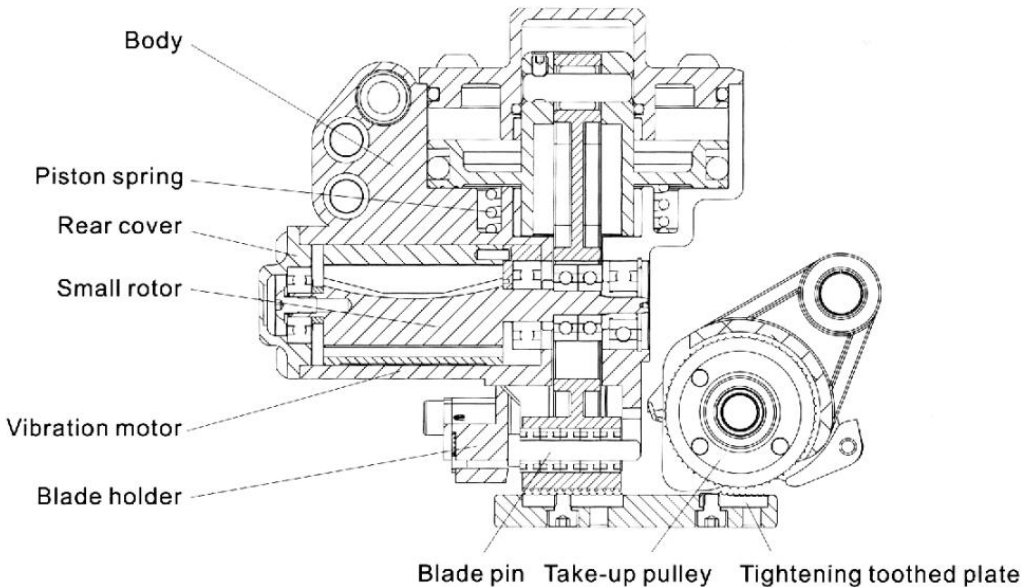
2. Principle of Friction fusion

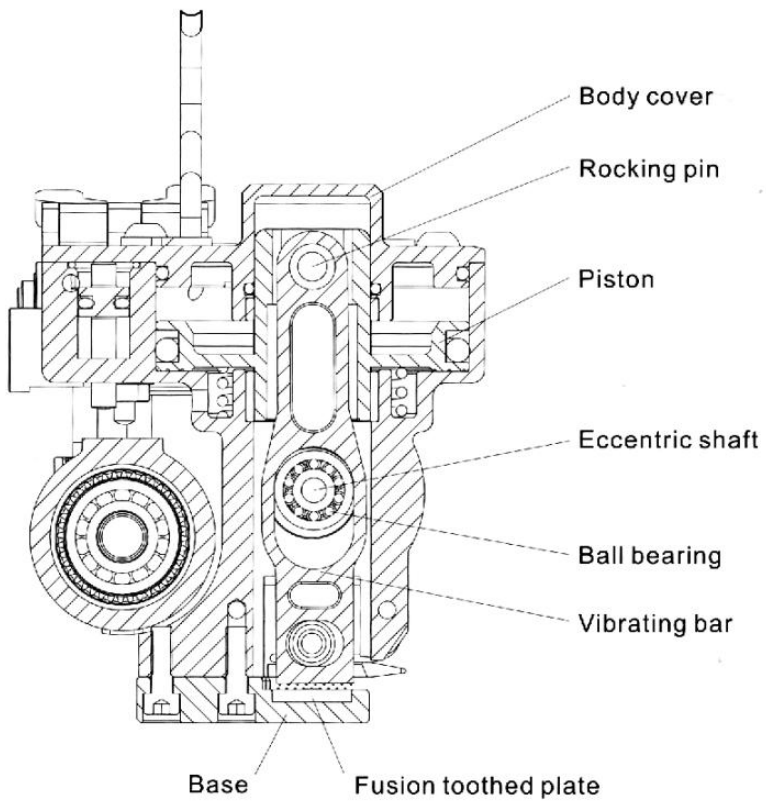
This tool is a kind of friction fusion packaging machine. The lapped thermoplastic packaging belt is fused by the heat produced by friction motion; hence, it is called “friction fusion”

The compressed air will push the piston within air cylinder. The upper part of piston and vibrating bar is connected to the rocking pin, so the vibrating bar will press the lapped part of packaging belt when moving down.

There is an elliptic hole at the center of vibrating bar, This hole is connected to the eccentric shaft of pneumatic motor. The pneumatic motor rotates at a high speed (10000rpm), so the vibrating bar conducts reciprocal motion quickly. The lower part of packaging belt is fixed by the peg teeth of fusion toothed plate, and its upper part is driven by the peg teeth of vibrator for strenuous friction. Hence, the lapped part of packaging belt is fused by the heat produced by friction. When the vibration timer reaches the set time, vibration stops and fusion completes.

Both upper and lower parts of the packaging belt are stuck while extruding.





3. Specification and Parts

Mode	XQD19	XQD19B	XQD25
Material of packaging belt	PET/PP	PET	PET
Width of packaging belt(mm)	13~19	13~19	19~25
Thickness packaging belt(mm)	0.5~1.2	0.5~1.2	0.5~1.5
Tension force of binding band (when input air pressure is 0.63Mpa)	3000N	3000N	3500N

Max.allowable working pressure:0.8Mpa

Required scope of working pressure:0.5~0.7Mpa(72~100psi)

Ideal working pressure;0.63Mpa

Material of packaging belt:PET

Allowable lubricating oil:51#

Consumption of compressed air:0.3L/Min

Adjusting scope of fusion time:2~5s

Heavy cutting device

The heavy cutting device is composed of blade holder and blade and is used to cut 0.5~1.5mm thick packaging belt.

Friction cutting device

The friction cutting device is used to cut 0.5~0.7mm thick light PET packaging belt.

Suspension

Proper hooks may be suspended at different positions(top sealing,vertical sealing; and horizontal sealing).

4. Gas Source Instruction

Requirement of air pressure

The required scope of air pressure:72-100psi (0.5-0.7Mpa).

Installation of gas source

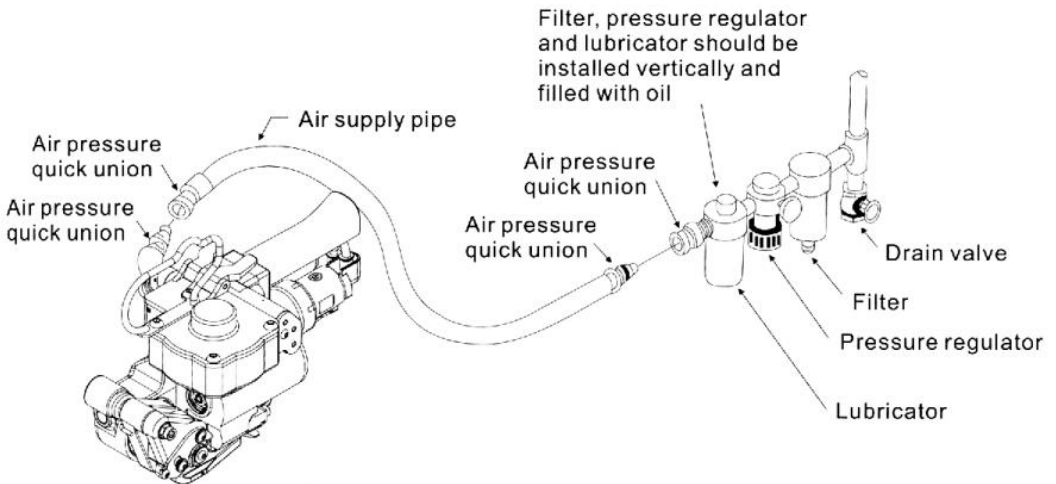
Filter,pressure regulating valve and lubricator assembly shall be close to the pneumatic tool.The min.inner diameter of air hose is 6.0mm(1/4).Both ends of air supply pipe should be equipped with quick unions.

Moisture filtration

A drain valve must be mounted at the bottom of the air supply circuit's bypass to drain once every day.

Lubrication

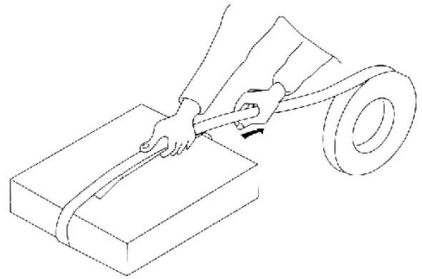
Pneumatic motor should be lubricated properly,and the lubricator should be full and well-regulated (a drop every 2min).



5. Operation Instruction

(1)How to bind

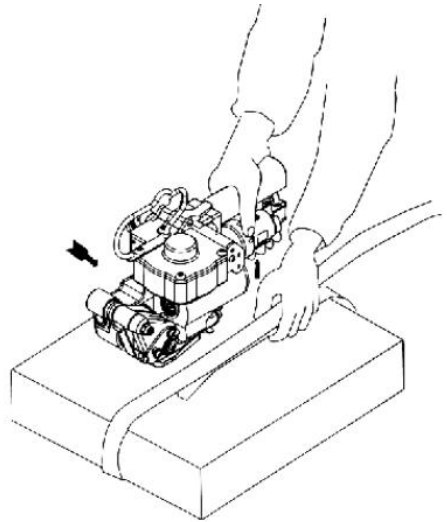
As shown in the left figure, bundle the article with packaging belt, hold the lapped part with left hand, leave about 300mm tail, pull the remaining part out with right hand.



(2)Place packaging belt

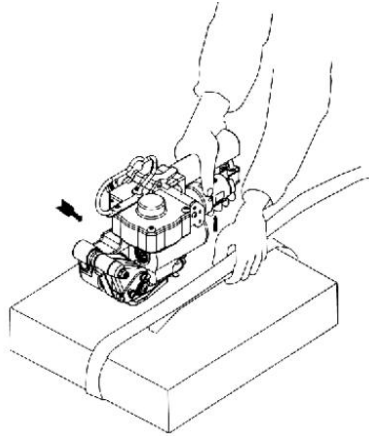
Hold handle and tighter with right hand (to ensure the maximum opening dimension between take-up pulley and tightening toothed plate), insert both upper and lower parts of the packaging belt into the packaging machine.

Note:the lapped part of packaging belt must be separated by the blade of blade holder; release the tightener (the take-up pulley clips the packaging belt tightly)



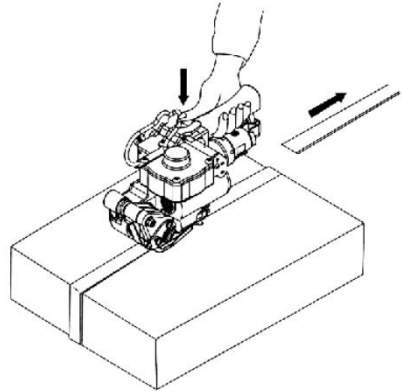
(3) Tighten the packaging belt

Press the tightening button (right side) with the thumb of right hand till the packaging belt is tight fully.



(4) Vibration and cutting

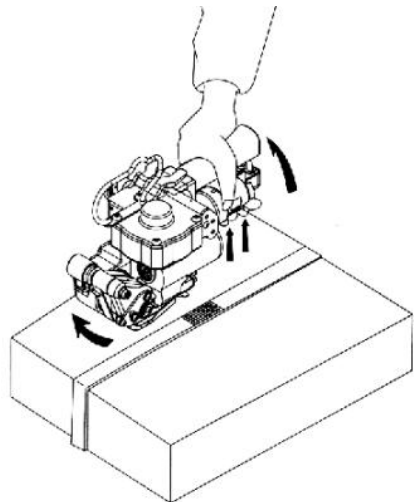
Press the fusion button (left side) with the thumb of right hand till the packaging belt is fused and cut off



(5) Take down the packaging machine

Press handle and tightener tightly with right hand. Press the rewinding button with the little finger of right hand till the belt is released from the take-up pulley. Press handle and tightener tightly, remove the tool from the packaging belt.

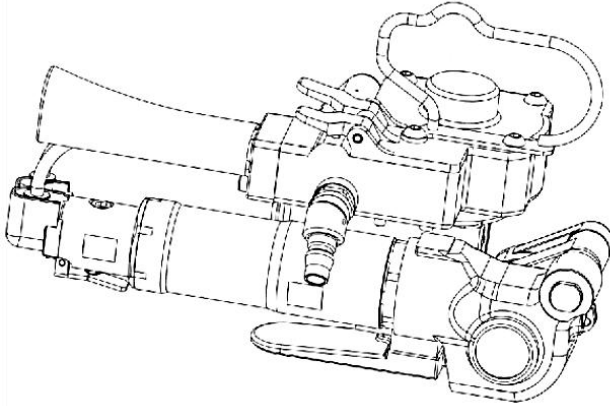
Note: don't remove the packaging machine until the packaging belt is released.



6. Tension Adjustment

Tension of packaging belt

The tension of packaging belt may be adjusted with a screwdriver through the tow valve stem mounted below the tightening button beside the handle.



Warning:

light packaging belt (<0.7mm) may bear 150kg of tension. Don't apply excessive tension; otherwise, the packaging belt may break.

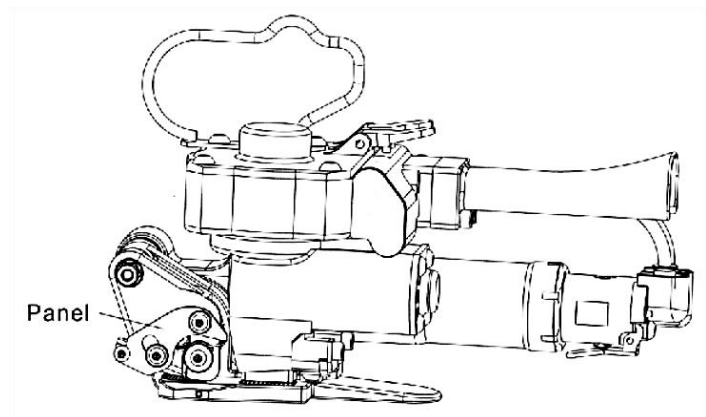
Time of friction fusion

The time of friction fusion can be adjusted according to the dimension of packaging belt, quantity of air pressure, and the condition of packaging machine. For this reason, a small screwdriver is used to adjust the small screw below the fusion button (red). The time will increase if rotating clockwise and decrease if rotating anticlockwise. Tighten the lock nut after adjustment. Sound fusion can ensure smooth and burr-free joints.

Width of packaging belt

(1) Panel

The panel can be dismantled from the packaging machine by removing its screws. Replace a new panel according to the dimensions of the used packaging belt and the installation method of the previous panel.



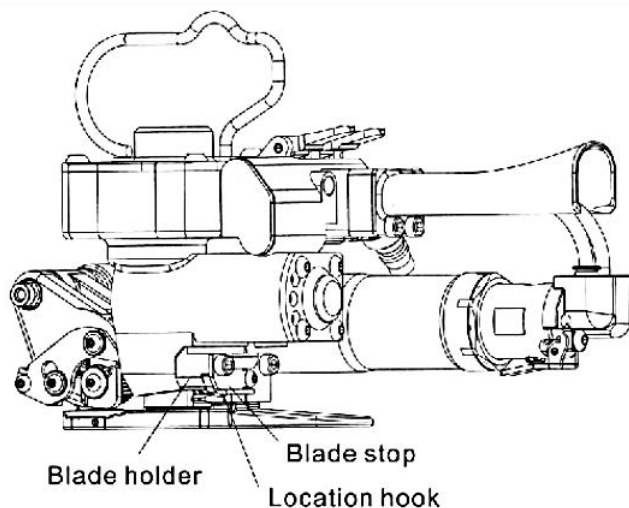
(2)Location hook

The location hook of blade holder may be reassembled by taking the spring pin from the blade holder.

Note: There is a small compression spring within the location hook. Don't lose it.

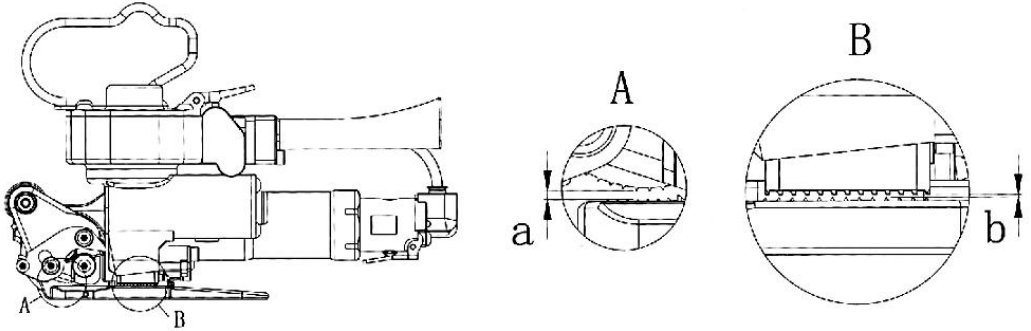
Reassembly

Choose a hole from the three holes of blade holder according to the dimension of packaging belt. The external hole is used for 19mm packaging belt; medium hole is for 16mm packaging belt; and internal hole is for 13mm packaging belt.



Distance(a)between tightening pulley and tightening toothed plate

The distance between take-up pulley and tightening toothed plate should be adjusted according to dimensions of the used packaging belt. Check the distance (a)between take-up pulley and tightening toothed plate with a feeler (as shown in the figure below).



The distance (a)should be no less than the thickness of packaging belt. While delivery,this distance is set to 1.0mm more than the thickness of packaging belt.

- (1)If the thickness of packaging belt is 0.8mm,place a 0.2mm thick gasket under the tightening toothed plate;
- (2)If such thickness is 0.6mm,place two 0.2mm thick gaskets under the tightening toothed plate;
- (3)If such thickness exceeds 1.4mm,insert two 0.2mm thick gaskets into the middle of body and bade.

Distance (b)between the bottom of vibrating bar and the fusion toothed plate

Measure the distance between the bottom of vibrating bar and the fusion toothed plate(see the above figure)with a feeler.While measuring,please follow the following steps:

- (1)Press the fusion button (red)for at least 2S,so that both piston and vibrating bar will be downward fully.
- (2)Measure the distance(b)with a feeler; if no gasket is used,the distance(b)has been set to 0.5mm.If the thickness of packaging belt is less than 0.6mm,insert a 0.2mm gasket to the bottom of fusion toothed plate.

Note:

- Don't reduce the distance (b)by inserting too many gaskets;
- The packaging machine may be damaged if there is no clearance between the bottom of vibrating bar and the fusion toothed plate;
- If the vibrating bar strikes the fusion toothed plate,teeth of the plate will be damaged immediately.

7. Failure and Trouble-shooting

Common failure and trouble-shooting:

(1) Tightener operation

Phenomenon	Causes	Trouble-shooting
Motor body can't start.	<ol style="list-style-type: none">1.There is foreign material in the motor.2.The motor is too dry and in need of lubrication.3.Improper adjustment for air valve results in lack of air pressure.	<ol style="list-style-type: none">1.Deliver packaging machine to factory for repair2.Add several drops of lubricating oil to motor from air intake3.Readjust air valve
Tightening pulley presses the upper packaging belt.	<ol style="list-style-type: none">1.Distance between take-up pulley and toothed plate is too wide.2.In point of thickness of packaging belt, tension force is too strong.3.Take-up pulley is blocked by dust or residue from packaging belt.4.The teeth of taking-up pulley are blunt.	<ol style="list-style-type: none">1.increase gasket.2.Adjust the tension of packaging belt by adjusting air valve with a screwdriver.3.Clean the teeth of taking-up pulley with air blow gun or brush.4.Replace take-up pulley.

When packing, packaging machine moves forward or can't clamp the end of packaging belt.	<ol style="list-style-type: none"> 1. Take-up toothed plate is blocked by residue of packaging belt. 2. The teeth on the take-up toothed plate are blunt. 3. The tension of packaging belt is too strong. 	<ol style="list-style-type: none"> 1. Clean the teeth of take-up toothed plate, blow off the residue with air blow gun. 2. Replace take-up toothed plate. 3. Adjust throttle valve with a small screwdriver.
---	--	---

Cautions during the tension operation

① After the article is tied by packaging belt, hold the overlapping part with left hand to pull out redundant part.

② Make sure the overlapping part of packaging belt in the packaging machine is in alignment.

③ When packaging, if the tension is too high, the packaging belt will break. Control the tension of packaging belt by adjusting air valve.

(2) Fusion operation

Phenomenon	Causes	Trouble-shooting
Incomplete fusion or no fusion	<ol style="list-style-type: none"> 1. Fusion time is too short 2. Air pressure is not enough 3. ID of air pipe is too small 4. The teeth of fusion toothed plate or vibrating bar is blocked by residue or worn out 5. Vibration motor is too dry and in need of lubrication 	<ol style="list-style-type: none"> 1. Refer to this Manual for adjusting fusion time. 2. Supply air at the air pressure of 72psi or higher. 3. Replace the air pipe to an air pipe with an internal diameter of over 6.4mm. 4. Clean teeth part or replace vibrating bar and fusion toothed plate. 5. Add lubricating oil from air intake



<p>Packaging belt is excessively fused or broken off during the Fusion process</p>	<ol style="list-style-type: none"> 1.The thickness of packaging belt is not enough 2.Fusion time is too long 3.The cooling time for friction fusion part is too short. 	<ol style="list-style-type: none"> 1.Use the packaging belt that has correct specification 2.Reduce fusion time as required.Refer to this Manual 3.Keep at least 3 seconds after fusion
<p>Packaging machine can't move off From packaging belt after fusion</p>	<ol style="list-style-type: none"> 1.Take-up pulley can't reverse.Packaging belt can't loosen. 2.Vibrating bar fails to rise from packaging belt. 	<ol style="list-style-type: none"> 1.Press rewind button to release the tension of packaging belt 2.Hold the handle of lightener to enable tightener to connect with exhaust valve,and then turn on shut-off valve

Cautions during fusion

- ①Sound fusion can ensure smooth and burr-free joint,however,overlong fusion will reduce the adhesive force of PET packaging belt.
- ②After fusion,keep 3S,otherwise fusion joint will be deformed or separated.

Manufacturer: Shanghaimuxinmuyeyouxiangongsi

Address: Shuangchenglu 803nong11hao1602A-1609shi, baoshanqu, shanghai 200000 CN.

Imported to AUS: SIHAO PTY LTD, 1 ROKEVA STREETEASTWOOD NSW 2122 Australia

Imported to USA: Sanven Technology Ltd., Suite 250, 9166 Anaheim Place, Rancho Cucamonga, CA 91730

EC	REP
-----------	------------

E-CrossStu GmbH
Mainzer Landstr.69, 60329 Frankfurt am Main.

UK	REP
-----------	------------

YH CONSULTING LIMITED.
C/O YH Consulting Limited Office 147, Centurion House,
London Road, Staines-upon-Thames, Surrey, TW18 4AX

VEVOR[®]

TOUGH TOOLS, HALF PRICE

Technical Support and E-Warranty Certificate

www.vevor.com/support

VEVOR[®]

TOUGH TOOLS, HALF PRICE

Support technique et certificat de garantie électronique

www.vevor.com/support

Machine de cerclage

MODÈLE: XQD19 , XQD19B , XQD25

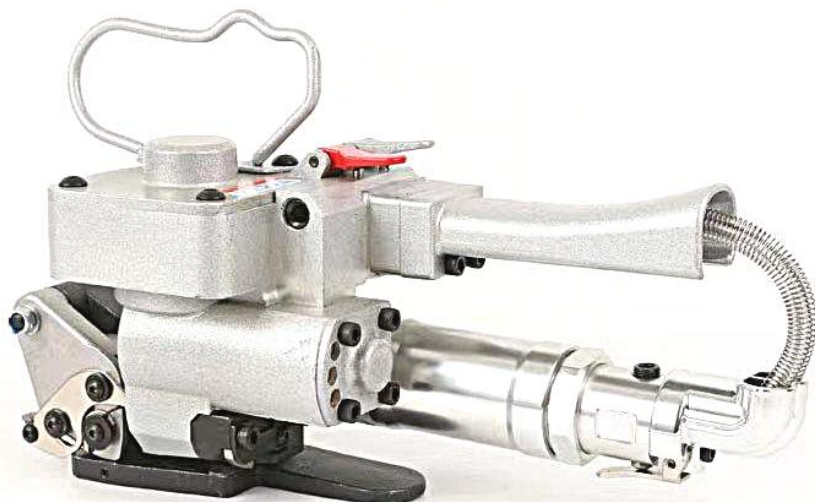
We continue to be committed to provide you tools with competitive price. "Save Half", "Half Price" or any other similar expressions used by us only represents an estimate of savings you might benefit from buying certain tools with us compared to the major top brands and does not necessarily mean to cover all categories of tools offered by us. You are kindly reminded to verify carefully when you are placing an order with us if you are actually saving half in comparison with the top major brands.

VEVOR[®]

TOUGH TOOLS, HALF PRICE

STRAPPING MACHINE

Modèle : XQD19 , XQD19B , XQD25



NEED HELP? CONTACT US!

Have product questions? Need technical support? Please feel free to contact us:

Technical Support and E-Warranty Certificate
www.vevor.com/support

This is the original instruction, please read all manual instructions carefully before operating. VEVOR reserves a clear interpretation of our user manual. The appearance of the product shall be subject to the product you received. Please forgive us that we won't inform you again if there are any technology or software updates on our product.

INSTRUCTIONS

Merci beaucoup d'avoir choisi cette machine de cerclage
- Veuillez lire toutes les instructions avant de l'utiliser. Les informations vous aideront à obtenir les meilleurs résultats possibles.
Les produits présentés dans ce catalogue peuvent avoir une couleur différente de celle de l'article réel .

8. Consignes de sécurité

Veuillez lire attentivement le manuel avant d'utiliser cette machine d'emballage.

Règles générales de sécurité

1. Gardez à l'esprit le principe de « sécurité avant tout » et utilisez cet outil pneumatique correctement ;
2. Lisez attentivement le manuel avant l'utilisation ;
3. Ne démontez pas les pièces de sécurité de l'outil ;
4. Ne déchirez pas et n'endommagez pas l'étiquette ou la marque du produit ;
5. Ne mettez pas votre main ou d'autres parties de votre corps entre la ceinture d'emballage et l'outil d'emballage.

Application

Cet outil est spécialement conçu pour lier des articles avec une bande d'emballage en PET ;

Largeur applicable de la ceinture d'emballage : 13,16,19 mm ;

N'utilisez pas la bande d'emballage pour soulever.

Habillage correct

Portez des lunettes de sécurité, des cache-oreilles, des gants de protection, un casque et des chaussures de protection.

et chemise à manches longues, fermez tous les boutons ; prenez soin de votre cravate, de vos cheveux longs et de votre tissu. ne doit pas être accroché par la machine d'emballage.

Source de gaz

- Assurez-vous que le tuyau d'alimentation en air peut supporter la pression et est résistant à l'huile ;
- Utilisez le raccord rapide spécial pour le tuyau d'air ; la pression de l'air ne doit pas dépasser 1 16 psi/ 8 bar ;
- Utilisez uniquement de l'air comprimé propre, plutôt qu'une source de gaz ou une source dynamique,

Ventilation

L'air intérieur peut facilement être pollué par l'huile lubrifiante ; par conséquent, la ventilation doit être convenable.

Vibration

Il est nocif pour les opérateurs s'ils entrent en contact pendant une longue période avec des vibrations excessives. Les spécifications de fonctionnement doivent être conformes aux exigences pertinentes de la norme ISO5349.

Bruit

Les opérateurs doivent porter des cache-oreilles si le bruit est supérieur à 85Db(A). Même si le bruit est inférieur à 85Db(A), il est également recommandé de porter des cache-oreilles.

Lunettes de protection

Si la courroie d'emballage de tension se brise soudainement, cela peut blesser les yeux et entraîner une cécité, les opérateurs doivent donc porter des lunettes de sécurité.

Note:

Tout en coupant la courroie d'emballage, tenez sa partie supérieure et tenez-vous à ses côtés ; la ceinture supérieure sera coupée ; soyez prudent, il ne devrait y avoir personne dans les environs. Pendant l'entretien et le nettoyage, la poussière apportée par le pistolet à air comprimé est nocive aux yeux .

Pièce mobile

Pendant le fonctionnement, la partie mobile (poulie de serrage) peut clipser un gant ou une autre partie de votre corps. Ainsi, lorsque la poulie

de renvoi tourne, ne la touchez pas.

Entretien

- Effectuer l'entretien quotidien de la machine ;
- Vérifiez régulièrement et enlevez la poussière avec un pistolet à air comprimé ;
- Serrez les vis du crochet ;
- Éteignez la source de gaz lors du remplacement des pièces.

Risque lors de la coupe

La lame tranchante sur le support de lame peut blesser votre main et votre doigt, veuillez donc le porter gants de sécurité.

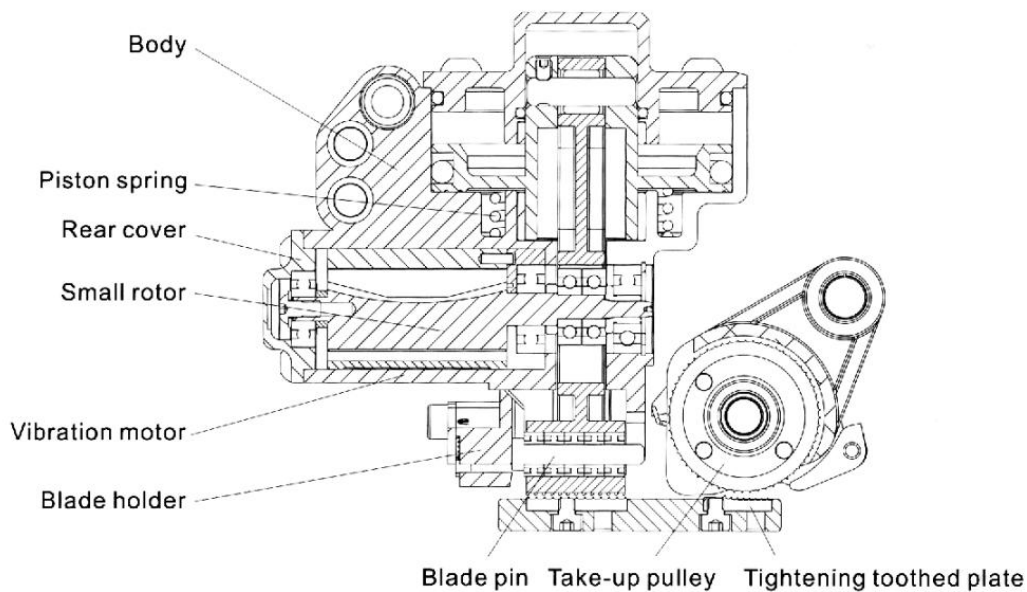
9. Principe de fusion par friction

Cet outil est une sorte de machine d'emballage par fusion par friction. Le thermoplastique rodé la courroie d'emballage est fondue par la chaleur produite par le mouvement de friction ; par conséquent, on l'appelle « fusion par friction »

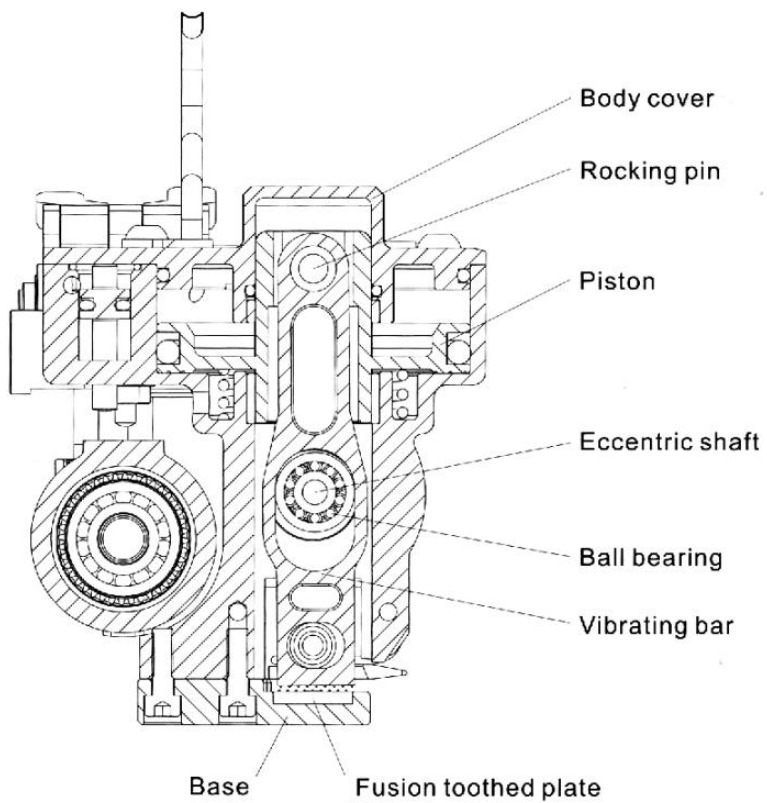
L'air comprimé poussera le piston dans le cylindre pneumatique. La partie supérieure du piston et la barre vibrante est connectée à la goupille à bascule, de sorte que la barre vibrante appuiera sur le partie chevauchée de la bande d'emballage lors de la descente.

Il y a un trou elliptique au centre de la barre vibrante, ce trou est relié à l'arbre excentrique du moteur pneumatique. Le moteur pneumatique tourne à grande vitesse (10 000 tr/min), de sorte que la barre vibrante effectue un mouvement réciproque rapidement. La partie inférieure de la courroie d'emballage est fixée par les dents de cheville de la plaque dentée par fusion et sa partie supérieure est entraîné par les dents du vibreur pour un frottement intense. Par conséquent, la partie rodée de la ceinture d'emballage est fondue par la chaleur produite par friction. Lorsque la minuterie de vibration atteint l'ensemble le temps, la vibration s'arrête et la fusion se termine.

Les parties supérieure et inférieure de la bande d'emballage sont coincées



lors de l'extrusion.



10. Spécifications et pièces

Mode	XQD19	XQD19B	XQD25
Matériau de la ceinture d'emballage	ANIMAL FAMILIER /PP	ANIMAL DE COMPAGNIE	ANIMAL DE COMPAGNIE
Largeur de la bande d'emballage (mm)	13 ~19	13~19	19 ~ 25
Épaisseur de la bande d'emballage (mm)	0,5 ~ 1.2	0,5 ~ 1.2	0,5 ~ 1,5
Force de tension de la bande de liaison (lorsque l'air d'entrée la pression est de 0,63 Mpa)	3000N	3000N	3500N

Pression de travail maximale admissible : 0,8 Mpa

Portée requise de la pression de service : 0,5 ~ 0,7 Mpa (72 ~ 100 psi)

Pression de travail idéale ; 0,63 Mpa

Matériau de la ceinture d'emballage : PET

Huile lubrifiante autorisée : 51 #

Consommation d'air comprimé : 0,3 L/Min

Ajustement de la portée du temps de fusion : 2 ~ 5 s

Appareil de coupe lourd

Le dispositif de coupe lourd est composé d'un porte-lame et d'une lame et est utilisé pour coupez une ceinture d'emballage de 0,5 à 1,5 mm d'épaisseur.

Dispositif de coupe par friction

Le dispositif de coupe par friction est utilisé pour couper une épaisseur de 0,5 à 0,7 mm. bande d'emballage PET légère.

Suspension

Des crochets appropriés peuvent être suspendus à différentes positions (étanchéité supérieure, étanchéité verticale ; et étanchéité horizontale).

11. Instructions sur la source de gaz

Exigence de pression atmosphérique

La portée requise de la pression atmosphérique : 72-100psi (0,5-0,7Mpa).

Installation de source de gaz

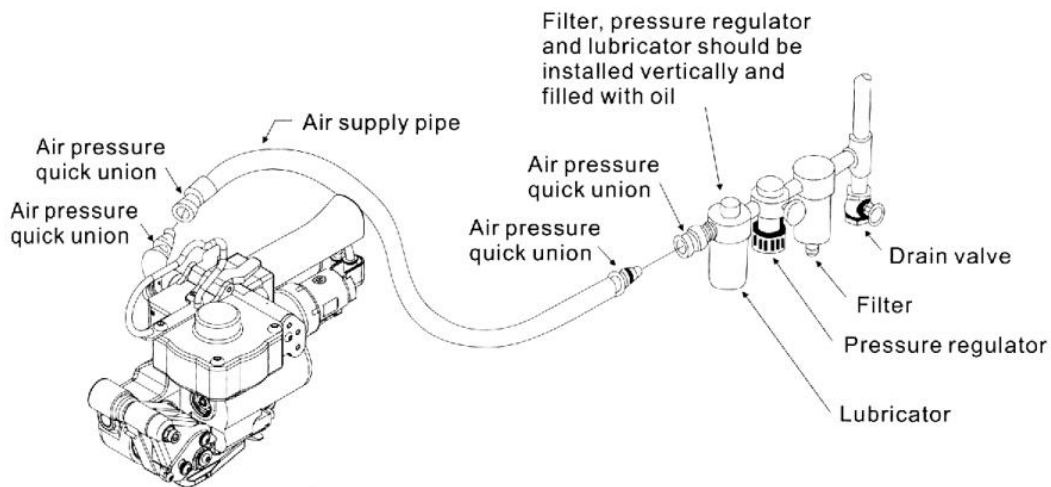
ensemble filtre , vanne de régulation de pression et lubrificateur doit être proche du Outil pneumatique. Le diamètre intérieur minimum du tuyau d'air est de 6,0 mm (1/4). Les deux extrémités de l'air le tuyau d'alimentation doit être équipé de raccords rapides.

Filtration de l'humidité

Un robinet de vidange doit être monté au bas du by-pass du circuit d'alimentation en air pour permettre une vidange une fois par jour.

Lubrification

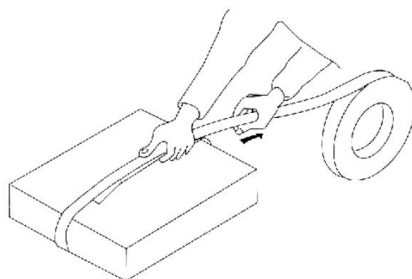
Le moteur pneumatique doit être correctement lubrifié et le lubrificateur doit être plein et bien réglé (une goutte toutes les 2min).



12. Instruction d'opération

(1) Comment lier

Comme le montre la figure de gauche, regroupez l'article avec la ceinture d'emballage, maintenez la partie rodée avec Main gauche, laissez environ 300 mm de queue, tirez sur le partie restante avec la main droite.



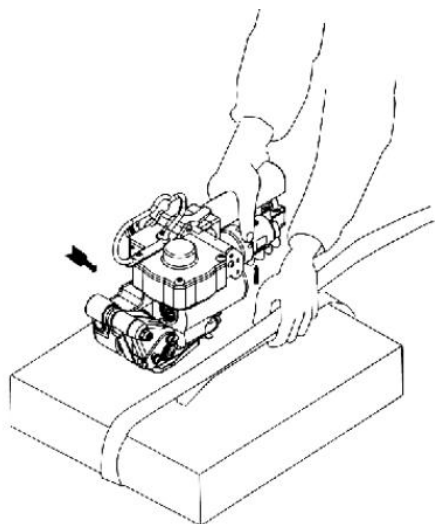
(2) Placer la ceinture d'emballage

Tenez la poignée et serrez-la avec la main droite (pour garantir la dimension maximale d'ouverture entre

poulie réceptrice et plaque dentée de serrage), insérer les parties supérieure et inférieure de l'emballage

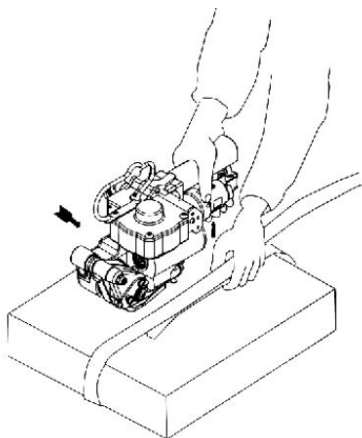
courroie dans la machine d'emballage. **Remarque : le rodage**

une partie de la bande d'emballage doit être séparée par la lame du porte-lame ; relâchez le tendeur (la poulie de renvoi clipse la courroie d'emballage fermement)



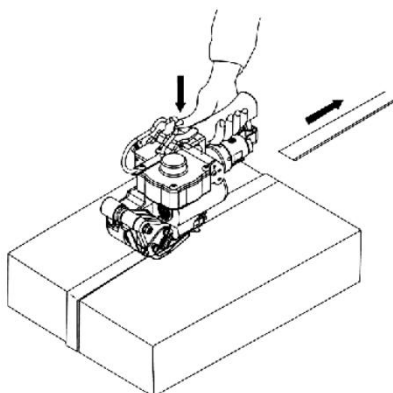
(3) Serrez la ceinture d'emballage

Appuyez sur le bouton de serrage (côté droit) avec le pouce de la main droite jusqu'à ce que la ceinture d'emballage soit tendue pleinement.



(4) Vibration et coupe

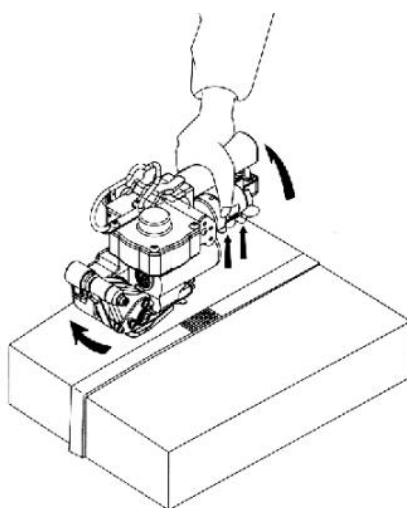
Appuyez sur le bouton de fusion (côté gauche) avec le pouce de main droite jusqu'à ce que la ceinture d'emballage soit fondue et couper



(5) Retirez l'emballage machine

Appuyez fermement sur la poignée et le tendeur avec la droite main. Appuyez sur le bouton de rembobinage avec le petit doigt de la main droite jusqu'à ce que la ceinture soit libérée la poulie de renvoi. Appuyez sur la poignée et le tendeur hermétiquement, retirez l'outil de la ceinture d'emballage.

Remarque : ne supprimez pas le Machine d'emballage jusqu'à ce que la bande d'emballage soit

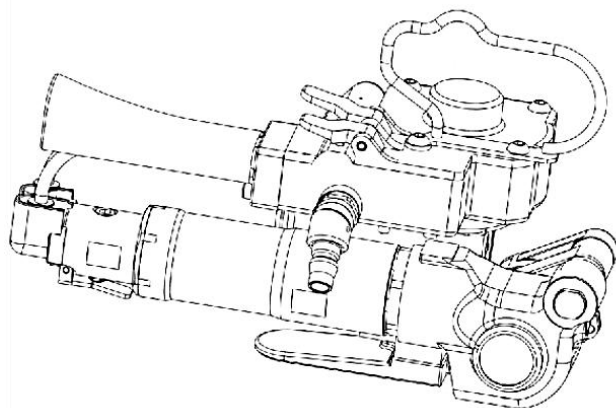


libérée.	
----------	--

13. Réglage de la tension

Tension de la bande d'emballage

La tension de la courroie d'emballage peut être réglée à l'aide d'un tournevis à travers la tige de valve de remorquage montée sous le bouton de serrage à côté de la poignée.



Avertissement:

la ceinture d'emballage légère (<0,7 mm) peut supporter 150 kg de tension. N'appliquez pas de tension excessive. tension ; sinon, la courroie d'emballage pourrait se briser.

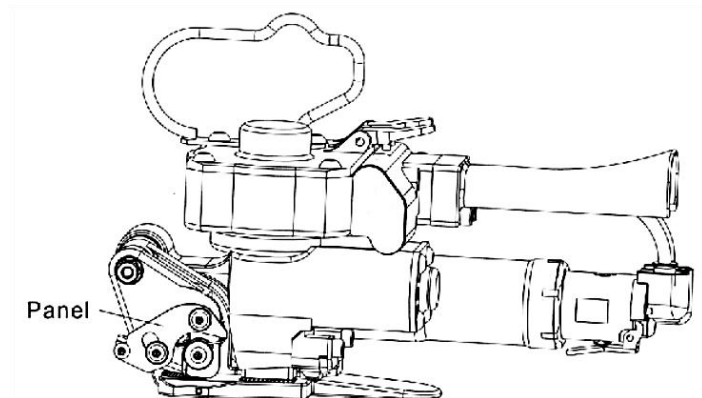
Temps de fusion par friction

Le temps de fusion par friction peut être ajusté en fonction de la dimension de la bande d'emballage, de la quantité de pression d'air et de l'état de la machine d'emballage. Pour cette raison, un petit tournevis est utilisé pour ajuster la petite vis située sous le bouton de fusion (rouge). Le temps augmentera si vous tournez dans le sens des aiguilles d'une montre et diminuera si vous tournez dans le sens inverse des aiguilles d'une montre : serrez le contre-écrou après le réglage. La fusion sonore peut garantir une rotation douce et sans bavure. les articulations.

Largeur de la bande d'emballage

(1) Panneau

Le panneau peut être démonté de la machine d'emballage en retirant ses vis. Remplacez un nouveau panneau en fonction des dimensions de la courroie d'emballage usagée et de la méthode d'installation du panneau précédent.



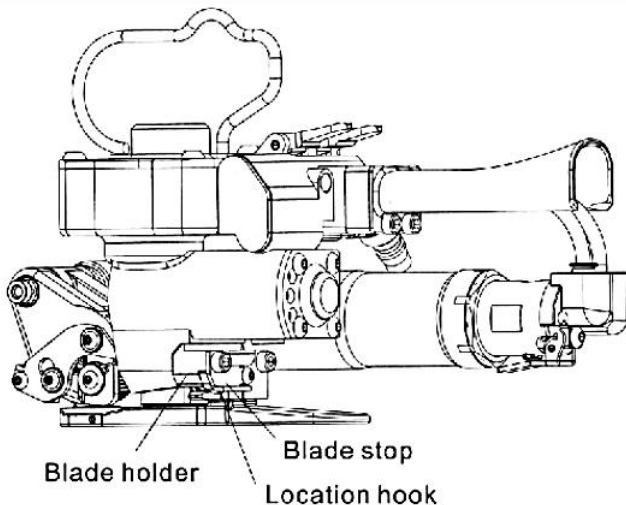
(2) Crochet de localisation

Le crochet de positionnement du porte-lame peut être remonté en reprenant le ressort goupille du porte-lame .

Note: Il y a un petit ressort de compression à l'intérieur du crochet de localisation. Ne le perdez pas.

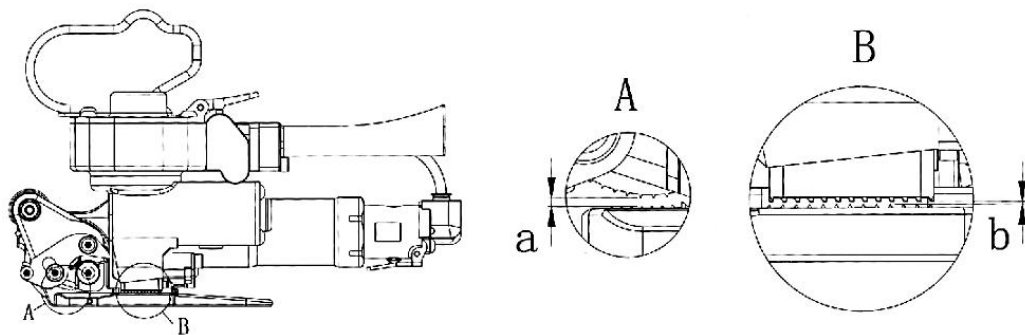
Remontage

Choisissez un trou parmi les trois trous du support de lame en fonction de la dimension de la courroie d'emballage. Le trou externe est utilisé pour une courroie d'emballage de 19 mm ; le trou moyen est pour une courroie d'emballage de 16 mm ; et le trou interne est pour une courroie d'emballage de 13 mm.



Distance(a)entre la poulie de serrage et la plaque dentée de serrage

La distance entre la poulie de renvoi et la plaque dentée de serrage doit être ajustée en fonction des dimensions de la courroie d'emballage utilisée. Vérifiez la distance (a) entre la poulie de renvoi et la plaque dentée de serrage avec une jauge (comme indiqué dans le Figure ci-dessous).



La distance (a) ne doit pas être inférieure à l'épaisseur de l'emballage ceinture. Alors que livraison, cette distance est réglée à 1,0 mm de plus que l'épaisseur de la ceinture d'emballage.

- (1) Si l'épaisseur de la courroie d'emballage est de 0,8 mm, placez un joint de 0,2 mm d'épaisseur sous la plaque dentée de serrage ;
- (2) Si cette épaisseur est de 0,6 mm, placez deux joints de 0,2 mm d'épaisseur sous la plaque dentée de serrage ;

(3) Si cette épaisseur dépasse 1,4 mm, insérez deux joints de 0,2 mm d'épaisseur au milieu du corps et du bade.

Distance (b) entre le bas de la barre vibrante et la plaque dentée de fusion

Mesurez la distance entre le bas de la barre vibrante et la plaque dentée de fusion (voir la figure ci-dessus) avec un palpeur. Lors de la mesure, veuillez suivre ce qui suit pas:

(1) Appuyez sur le bouton de fusion (rouge) pendant au moins 2 secondes, de sorte que le piston et la barre vibrante soient complètement vers le bas.

(2) Mesurer la distance (b) avec un palpeur ; si aucun joint n'est utilisé, la distance (b) a été réglé sur 0,5 mm. Si l'épaisseur de la courroie d'emballage est inférieure à 0,6 mm, insérez un Joint de 0,2 mm au bas de la plaque dentée de fusion.

Note:

- **Ne réduisez pas la distance (b) en insérant trop de joints ;**
- **La machine d'emballage peut être endommagée s'il n'y a pas de jeu entre le bas de la barre vibrante et la plaque dentée de fusion ;**
- **Si la barre vibrante heurte la plaque dentée de fusion, les dents de la plaque seront immédiatement endommagées.**

14. Panne et dépannage

Panne courante et dépannage :

(3) Fonctionnement du tendeur

Phénomène	Causes	Dépannage
Corps du moteur je ne peux pas démarrer .	1. Il y a des corps étrangers dans le moteur . 2. Le moteur est trop sec et a besoin de lubrification . 3. Mauvais réglage pour vanne d'air entraîne un manque de pression d'air .	1. Livrer machine d'emballage à l'usine à réparer 2. Ajoutez plusieurs gouttes d'huile lubrifiante à moteur de l'admission d'air

		3. Réajuster la vanne d'air
Poulie de serrage appuie sur le haut ceinture d'emballage .	<ol style="list-style-type: none"> 1. Distance entre la poulie réceptrice et la plaque dentée est trop large . 2. En termes d'épaisseur de l'emballage courroie, la force de tension est trop forte . 3. La poulie réceptrice est bloquée par la poussière ou des résidus de la ceinture d'emballage . 4. Les dents de la poulie de reprise sont directs . 	<ol style="list-style-type: none"> 1. augmenter le joint. 2. Ajustez la tension de la courroie d'emballage en ajustant la valve d'air avec un tournevis . 3. Nettoyez les dents de la poulie réceptrice avec une soufflette ou une brosse . 4. Remplacer le récepteur poulie.
Lors de l'emballage , Machine d'emballage avance ou ne peut pas serrer l'extrémité de la ceinture d'emballage .	<ol style="list-style-type: none"> 1. La plaque dentée de réception est bloquée par résidu de bande d'emballage . 2. Les dents sur le récepteur denté les plaques sont émoussées . 3. La tension de la courroie d'emballage est trop fort . 	<ol style="list-style-type: none"> 1. Nettoyez les dents de la denture plaque, soufflez les résidus avec de l'air soufflette . 2. Remplacez la plaque dentée de réception. 3. Ajustez le papillon des gaz avec un petit Tournevis .

Précautions lors de l'opération de tension

- ① Une fois l'article attaché par la ceinture d'emballage, tenez la partie qui se chevauche avec la main gauche pour retirez la partie redondante.
- ② Assurez-vous que la partie qui se chevauche de la courroie d'emballage

dans la machine d'emballage est en place. alignement.

③Lors de l'emballage, si la tension est trop élevée, la courroie d'emballage se brisera. Contrôlez la tension de la ceinture d'emballage en ajustant la valve d'air.

(4) Opération de fusion

Phénomène	Causes	Dépannage
Incomplet fusion ou Non la fusion	<ol style="list-style-type: none">1. Le temps de fusion est trop court2. La pression de l'air n'est pas assez3. L'ID du tuyau d'air est trop petit4. Les dents de fusion plaque ou barre vibrante est bloqué par des résidus ou usé dehors5. Le moteur de vibration est trop sec et besoin de lubrification	<ol style="list-style-type: none">1. Reportez-vous à ce manuel pour le réglage temps de fusion .2. Fournir de l'air à la pression atmosphérique de 72 psi ou plus haut .3. Remplacez le tuyau d'air par un tuyau d'air avec un diamètre intérieur supérieur à 6,4 mm .4. Nettoyer partie des dents ou remplacer les vibrations barre et plaque dentée de fusion .5. Ajouter de l'huile lubrifiante de l'admission d'air
Ceinture d'emballage est excessivement fusionné ou cassé éteint pendant la La fusion processus	<ol style="list-style-type: none">1. L'épaisseur de l'emballage la ceinture ne suffit pas2. Le temps de fusion est trop long3. Le temps de refroidissement pour le frottement la partie de fusion est trop courte .	<ol style="list-style-type: none">1. Utilisez la courroie d'emballage qui a correct spécification2. Réduisez le temps de fusion si nécessaire. Reportez-vous à ce manuel.3. Gardez au moins 3 secondes après la fusion

<p>Machine d'emballage je ne peux pas bouger Depuis emballage ceinture après fusion</p>	<p>1. La poulie réceptrice ne peut pas marche arrière. La ceinture d'emballage ne peut pas se détacher . 2. La barre vibrante ne parvient pas à s'élever de la courroie d'emballage .</p>	<p>1.Appuyez sur le bouton de rembobinage pour relâcher la tension de l'emballage soit réduite 2. Tenez la poignée de l'éclaircisseur permettre au tendeur de se connecter avec Soupape d'échappement, puis allumez vanne d'arrêt</p>
---	---	---

Précautions pendant la fusion

- ① La fusion sonore peut garantir un joint lisse et sans bavures. Cependant, une fusion trop longue réduira la force d'adhérence de la bande d'emballage en PET.
- ② Après fusion, gardez 3S, sinon le joint de fusion sera déformé ou séparé.

Fabricant : Shanghaimuxinmuyeyouxiangongsi

Adresse : Shuangchenglu 803nong11hao1602A-1609shi, baoshanqu, Shanghai 200000 CN.

Importé en Australie : SIHAO PTY LTD, 1 ROKEVA STREETASTWOOD NSW 2122 Australie

Importé aux États-Unis : Sanven Technology Ltd., Suite 250, 9166 Anaheim Place, Rancho Cucamonga, CA 91730

EC	REP
-----------	------------

E-CrossStu GmbH
Mainzer Landstr.69, 60329 Frankfurt am Main.

UK	REP
-----------	------------

YH CONSULTING LIMITED.
C/O YH Consulting Limited Office 147, Centurion House,
London Road, Staines-upon-Thames, Surrey, TW18 4AX

VEVOR[®]

TOUGH TOOLS, HALF PRICE

Support technique et certificat de garantie électronique

www.vevor.com/support

VEVOR[®]

TOUGH TOOLS, HALF PRICE

Technischer Support und E-Garantie-Zertifikat

www.vevor.com/support

Umreifungsmaschine

MODELL: XQD19 , XQD19B , XQD25

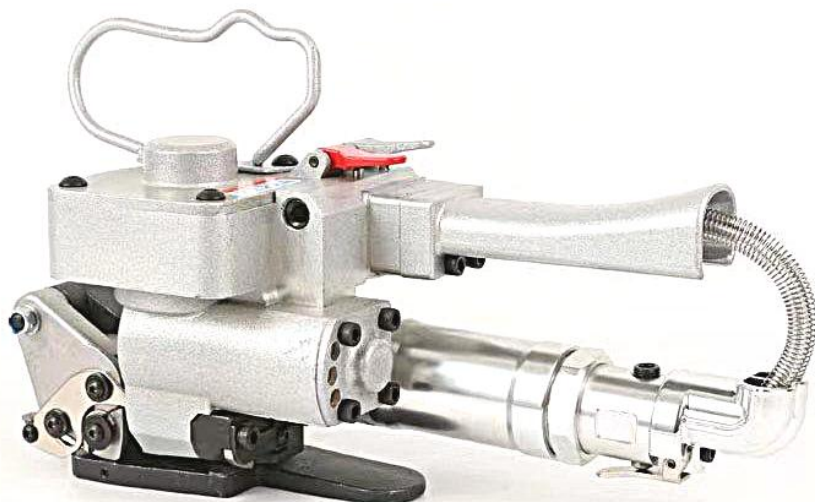
We continue to be committed to provide you tools with competitive price. "Save Half", "Half Price" or any other similar expressions used by us only represents an estimate of savings you might benefit from buying certain tools with us compared to the major top brands and does not necessarily mean to cover all categories of tools offered by us. You are kindly reminded to verify carefully when you are placing an order with us if you are actually saving half in comparison with the top major brands.

VEVOR®

TOUGH TOOLS, HALF PRICE

STRAPPING MACHINE

Modell: XQD19 , XQD19B , XQD25



NEED HELP? CONTACT US!

Have product questions? Need technical support? Please feel free to contact us:

Technical Support and E-Warranty Certificate
www.vevor.com/support

This is the original instruction, please read all manual instructions carefully before operating. VEVOR reserves a clear interpretation of our user manual. The appearance of the product shall be subject to the product you received. Please forgive us that we won't inform you again if there are any technology or software updates on our product.

INSTRUCTIONS

Vielen Dank, dass Sie sich für diese Umreifungsmaschine entschieden haben

- Bitte lesen Sie vor der Anwendung alle Anweisungen sorgfältig durch. Die Informationen helfen Ihnen, die bestmöglichen Ergebnisse zu erzielen. Die Farbe der in diesem Katalog aufgeführten Produkte kann vom tatsächlichen Artikel abweichen .

15. Sicherheitshinweise

Bitte lesen Sie das Handbuch sorgfältig durch, bevor Sie diese Verpackungsmaschine verwenden.

Allgemeine Sicherheitsregeln

1. Beachten Sie den Grundsatz „Sicherheit geht vor“ und bedienen Sie dieses Druckluftwerkzeug ordnungsgemäß.
2. Lesen Sie das Handbuch vor der Inbetriebnahme sorgfältig durch.
3. Sicherheitsteile des Werkzeugs nicht demontieren;
4. Zerreißen oder beschädigen Sie das Etikett oder die Markierung des Produkts nicht.
5. Halten Sie Ihre Hände oder andere Körperteile von der Verbindung zwischen Verpackungsband und Verpackungswerkzeug fern.

Anwendung

Dieses Werkzeug ist speziell zum Binden von Artikeln mit PET-Verpackungsbändern konzipiert;
Anwendbare Breite des Verpackungsbandes: 13, 16, 19 mm;
Das Verpackungsband nicht zum Anheben verwenden.

Richtiges Anziehen

Tragen Sie Schutzbrille, Ohrenschützer, Schutzhandschuhe, Helm und Schutzschuhe
und langärmeliges Hemd, schließen Sie alle Knöpfe; achten Sie auf Ihre Krawatte, lange Haare und Kleidung darf nicht an der Verpackungsmaschine eingehängt werden.

Gasquelle

- Stellen Sie sicher, dass die Luftzufuhrleitung druckfest und ölbeständig ist.
- Verwenden Sie für die Luftleitung unbedingt den speziellen Schnellanschluss. Der Luftdruck darf 1,16 psi / 8 bar nicht überschreiten.
- Verwenden Sie nur saubere Druckluft, anstatt Gasquelle oder dynamische Quelle,

Belüftung

Die Luft in Innenräumen kann leicht durch Schmieröl verschmutzt werden. Daher sollte die Belüftung angemessen sein.

Vibration

Es ist schädlich für den Bediener, wenn er über einen längeren Zeitraum übermäßigen Vibrationen ausgesetzt ist. Die Betriebsspezifikation sollte den relevanten Anforderungen von ISO5349 entsprechen.

Lärm

Bediener müssen Ohrenschützer tragen, wenn der Lärm höher als 85 dB(A) ist. Unter 85 dB(A) liegt, wird außerdem das Tragen von Ohrenschützern empfohlen.

Schutzbrille

Wenn der Verpackungsspanngurt plötzlich reißt, kann dies zu Augenverletzungen und Verletzungen führen. Blindheit, daher müssen Bediener eine Schutzbrille tragen.

Notiz:

Halten Sie beim Schneiden des Verpackungsbandes dessen oberen Teil fest und stellen Sie sich an die Seite. Das Oberband wird abgeschnitten. Seien Sie vorsichtig, es dürfen sich keine Personen in der Umgebung aufhalten. Während der Wartung und Reinigung ist der von der Luftzerstäuberpistole erzeugte Staub schädlich zu den Augen.

Bewegliches Teil

Während des Betriebs kann das bewegliche Teil (Spannrolle) Ihren Handschuh oder andere Körperteile einklemmen. Berühren Sie es daher nicht, wenn sich die Spannrolle dreht.

Wartung

- Führen Sie tägliche Wartungsarbeiten an der Maschine durch.
- Überprüfen Sie regelmäßig und entfernen Sie Staub mit einer Druckluftpistole.
- Ziehen Sie die Schrauben des Hakens fest;
- Schalten Sie die Gasquelle ab, während Sie Teile austauschen.

Gefahr beim Schneiden

Die scharfe Klinge am Klingenthaler kann Ihre Hände und Finger verletzen, tragen Sie daher bitte Sicherheitshandschuhe.

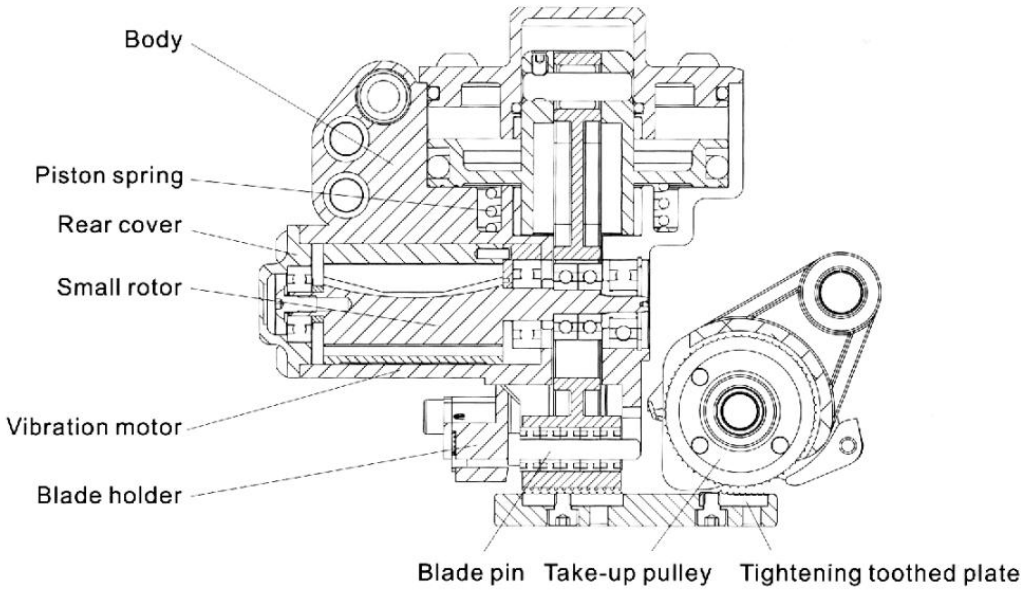
16. Prinzip der Reibungsfusion

Bei diesem Werkzeug handelt es sich um eine Art Friktionsschmelzverpackungsmaschine. Der geläppte thermoplastische Verpackungsband wird durch die durch Reibungsbewegung erzeugte Wärme geschmolzen; daher wird es genannt „Reibungsfusion“

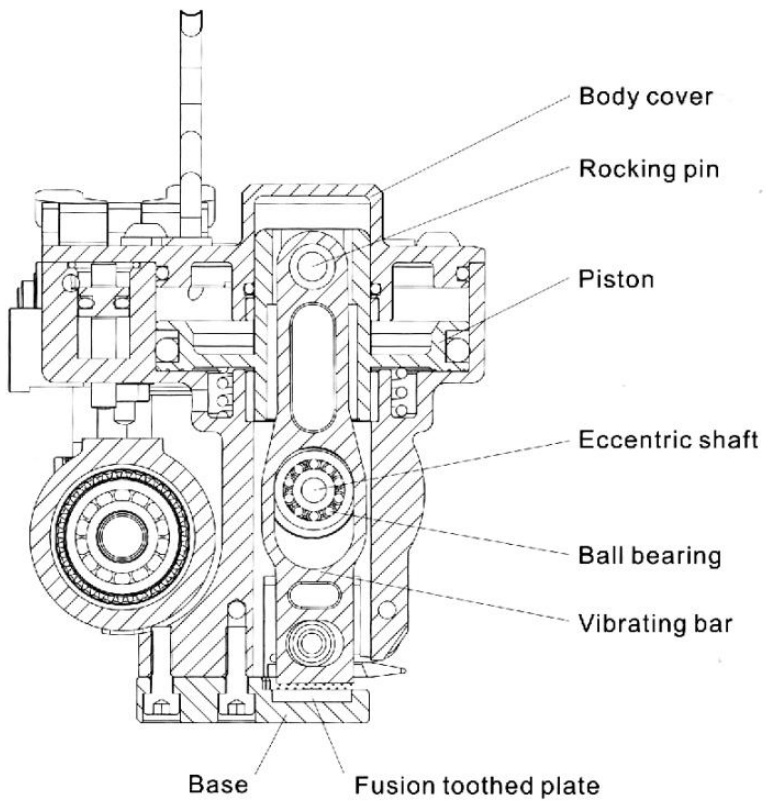
Die Druckluft drückt den Kolben im Luftzylinder. Der obere Teil des Kolbens und vibrierende bar ist verbunden zu die schaukel pin, so die vibrierende bar wird drücken die überlappender Teil des Verpackungsbandes beim Herunterfahren.

In der Mitte des Vibrationsstabs befindet sich ein elliptisches Loch, mit dem dieses Loch verbunden ist die Exzenterwelle des Pneumatikmotors. Der Pneumatikmotor dreht sich mit hoher Geschwindigkeit (10000 U/min), sodass die Vibrationsstange schnell hin- und herbewegt. Der untere Teil Das Verpackungsband wird durch die Zapfenzähne der Fusionszahnplatte und deren oberen Teil befestigt wird durch die Zapfenzähne des Vibrators für starke Reibung angetrieben. Daher der geläppte Teil von Das Verpackungsband wird durch die durch Reibung erzeugte Wärme geschmolzen. Wenn der Vibrationstimer läuft erreicht das Set Nach einiger Zeit stoppt die Vibration und die Fusion ist abgeschlossen.

Sowohl der obere als auch der untere Teil des Verpackungsbandes bleiben



beim Extrudieren hängen.



17. Spezifikation und Teile

Modus	XQD19	XQD19B	XQD25
Material des Verpackungsbandes	PET /PP	HAUSTIER	HAUSTIER
Breite des Verpackungsbandes (mm)	13 ~19	13~19	19 ~ 25
Dicke Verpackungsband (mm)	0,5~1.2	0,5~1.2	0,5~1,5
Spannkraft des Bindebandes (bei Luftzufuhr). Druck beträgt 0,63 MPa)	3000N	3000N	3500N

Max. zulässiger Betriebsdruck: 0,8 MPa

Erforderlicher Arbeitsdruckbereich: 0,5–0,7 MPa (72–100 psi)

Idealer Arbeitsdruck: 0,63 MPa

Material des Verpackungsbandes : PET

Zulässiges Schmieröl: 51 #

Druckluftverbrauch: 0,3 l/min

Einstellbereich der Fusionszeit: 2 ~ 5 s

Schweres Schneidgerät

Das schwere Schneidgerät besteht aus Klingenthaler und Klinge und dient zum

Schneiden Sie 0,5–1,5 mm dickes Verpackungsband.

Reibschneidevorrichtung

Das Reibungsschneidegerät wird zum Schneiden von 0,5 bis 0,7 mm dicken leichtes PET-Verpackungsband.

Suspension

Entsprechende Haken können an verschiedenen Stellen aufgehängt

werden (obere Versiegelung, vertikale Versiegelung); und horizontale Abdichtung).

18. Anleitung zur Gasquelle

Luftdruckbedarf

Der erforderliche Luftdruckbereich: 72–100 psi (0,5–0,7 MPa).

Installation der Gasquelle

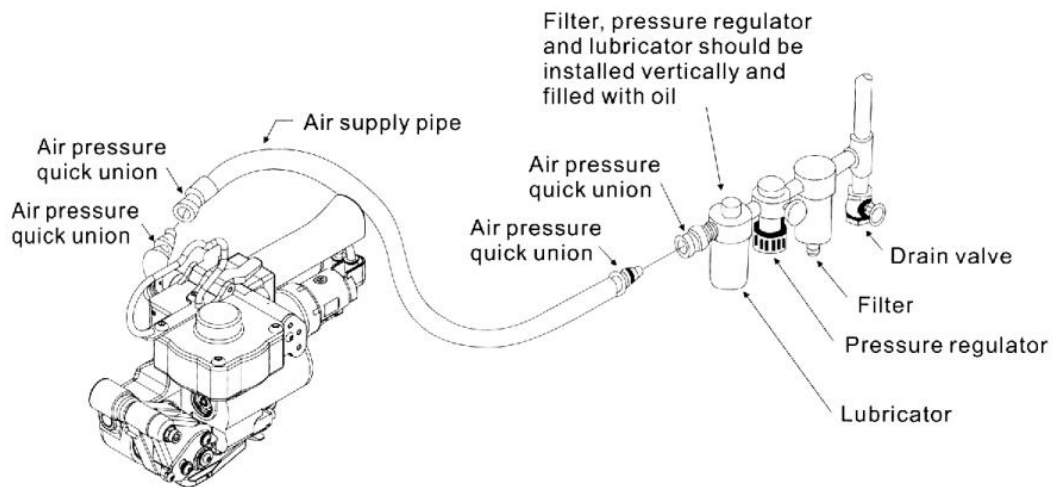
Filter , Druckregelventil und Öler müssen sich in der Nähe des pneumatisches Werkzeug. Der min. Innendurchmesser des Luftschlauchs beträgt 6,0 mm (1/4). Beide Enden der Luft Die Zuleitung sollte mit Schnellanschlüssen ausgestattet sein.

Feuchtigkeitsfiltration

Am Boden des Bypasses des Luftversorgungskreislaufs muss ein Ablassventil montiert sein, um einmal täglich eine Entleerung zu ermöglichen.

Schmierung

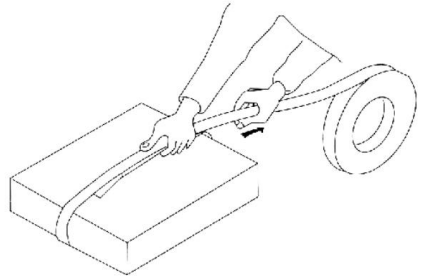
Der Pneumatikmotor sollte ordnungsgemäß geschmiert sein und der Öler sollte voll sein und gut reguliert (ein Tropfen alle 2 Minuten).



19. Bedienungsanleitung

(1) So binden Sie

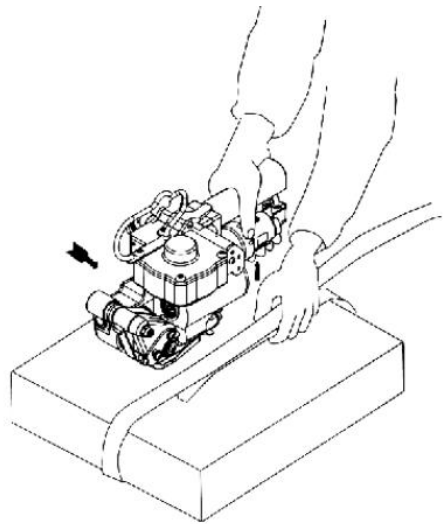
Bündeln Sie den Artikel wie in der linken Abbildung gezeigt Halten Sie mit dem Verpackungsband das geläppte Teil fest Mit der linken Hand ca. 300 mm Schwanz freilassen, ziehen Den restlichen Teil mit der rechten Hand herausziehen.



(2) Verpackungsband auflegen

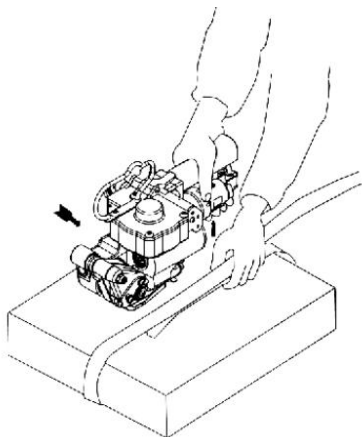
Halten Sie den Griff fest und ziehen Sie ihn mit der rechten Hand fest (um sicherzustellen). das maximale Öffnungsmaß dazwischen Spannrolle und Spannzahnplatte), Legen Sie sowohl den oberen als auch den unteren Teil der Verpackung ein Förderband in die Verpackungsmaschine. **Hinweis: die geläppte**

Ein Teil des Verpackungsbandes muss durch getrennt werden die Klinge des Klingenhalters; lassen Sie den Spanner los (Die Aufwickelrolle klemmt das Verpackungsband dicht)



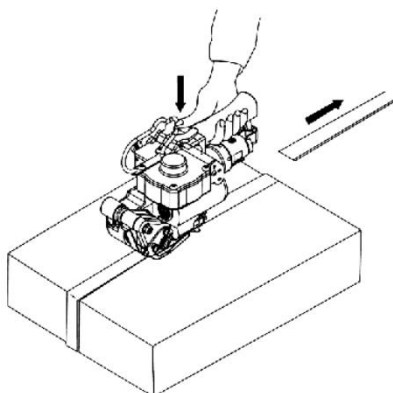
(3) Spannen Sie das Verpackungsband

Drücken Sie den Spannkopf (rechte Seite) mit dem Daumen der rechten Hand, bis das Verpackungsband fest sitzt völlig.



(4) Vibration und Schneiden

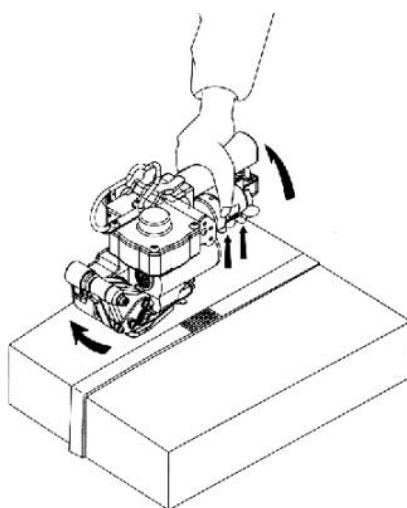
Drücken Sie mit dem Daumen die Fusionstaste (linke Seite) mit der rechten Hand, bis das Verpackungsband verschmolzen ist und Abschneiden



(5) Nehmen Sie die Verpackung ab Maschine

Drücken Sie den Griff und ziehen Sie ihn mit der rechten Hand fest Hand. Drücken Sie die Rückspultaste mit der kleinen Finger der rechten Hand, bis sich der Riemen löst Spannrolle drücken. Griff drücken und festziehen Ziehen Sie das Werkzeug fest an und entfernen Sie es vom Verpackungsband.

Hinweis: Entfernen Sie das nicht

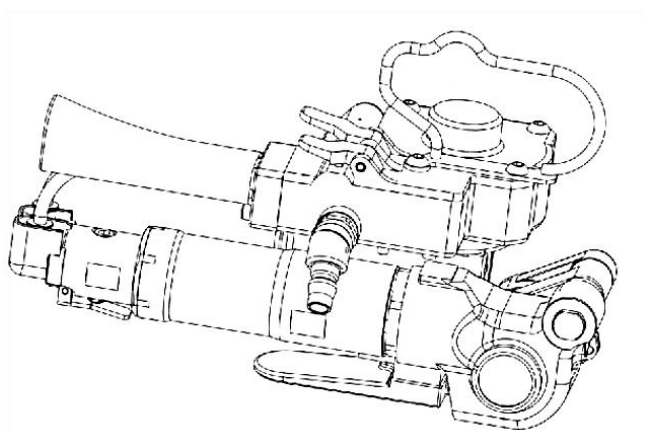


Verpackungsmaschine bis das Verpackungsband freigegeben wird.	
--	--

20. Spannungseinstellung

Spannung des Verpackungsbandes

Die Spannung des Verpackungsbandes kann mit einem Schraubenzieher über den Ventilschaft eingestellt werden, der unter dem Spannkopf neben dem Griff angebracht ist.



Warnung:

Ein leichtes Verpackungsband (<0,7 mm) kann einer Spannung von 150 kg standhalten. Wenden Sie nicht zu viel an Spannung, andernfalls kann das Verpackungsband reißen.

Zeit der Reibungsfusion

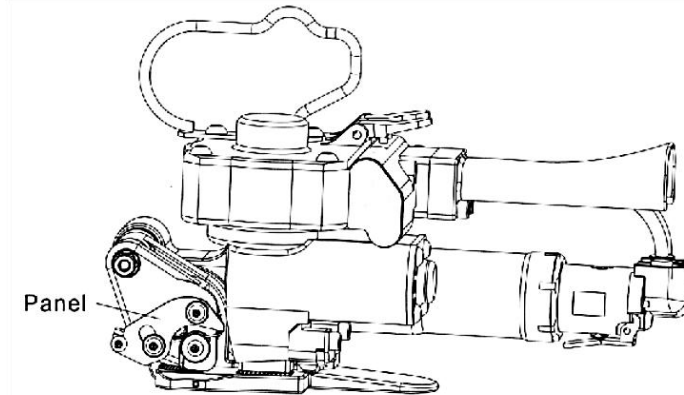
Die Zeit der Reibungsfusion kann entsprechend der Größe des Verpackungsbands, der Luftdruckmenge und dem Zustand der Verpackungsmaschine angepasst werden. Aus diesem Grund wird ein kleiner Schraubendreher verwendet, um die kleine Schraube unter dem Fusionsknopf (rot) einzustellen. Bei Drehung im Uhrzeigersinn erhöht sich die Zeit und bei Drehung gegen den Uhrzeigersinn verkürzt sich die Zeit: Ziehen Sie die Kontermutter nach der Einstellung fest. Eine einwandfreie

Verschmelzung sorgt für eine gleichmäßige und gratfreie Verschmelzung Gelenke.

Breite des Verpackungsbandes

(1) Bedienfeld

Das Paneel kann durch Entfernen der Schrauben von der Verpackungsmaschine demontiert werden. Ersetzen Sie es durch ein neues Paneel entsprechend den Abmessungen des verwendeten Verpackungsbandes und der Installationsmethode des vorherigen Paneels.



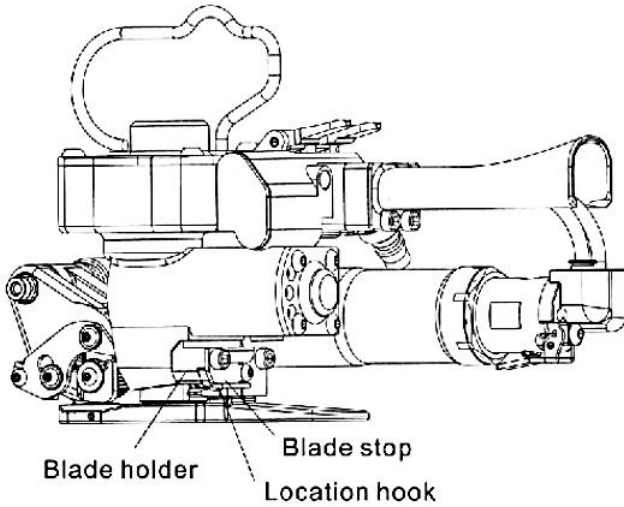
(2) Standorthaken

Der Fixierhaken des Klingenhalters kann durch Entfernen der Feder wieder zusammengebaut werden. Entfernen Sie den Stift vom Klingenhalter.

Notiz: Im Fixierhaken befindet sich eine kleine Druckfeder. Verlieren Sie diese nicht.

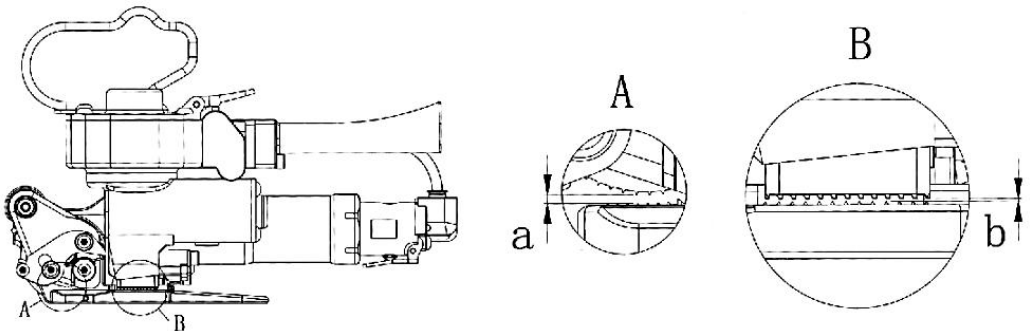
Zusammenbau

Wählen Sie entsprechend der Abmessung des Verpackungsbandes ein Loch aus den drei Löchern des Klingenhalters aus. Das äußere Loch wird für 19 mm Verpackungsbander verwendet, das mittlere Loch für 16 mm Verpackungsbander und das innere Loch für 13 mm Verpackungsbander.



Abstand (a) zwischen Spannrolle und Spannzahnplatte

Der Abstand zwischen der Aufwickelrolle und der Spannzahnplatte sollte entsprechend den Abmessungen des verwendeten Verpackungsbandes angepasst werden. Überprüfen Sie den Abstand (a) zwischen der Aufwickelrolle und der Spannzahnplatte mit einem Fühler (wie in der Abbildung gezeigt). Abbildung unten).



Der Abstand (a) sollte nicht kleiner sein als die Dicke der Verpackung Gürtel. Während Lieferung, dieser Abstand ist auf 1,0 mm mehr als die Dicke des Verpackungsbandes eingestellt.

- (1) Wenn die Dicke des Verpackungsbandes 0,8 mm beträgt, legen Sie eine 0,2 mm dicke Dichtung unter die Spannzahnplatte.
- (2) Wenn die Dicke 0,6 mm beträgt, legen Sie zwei 0,2 mm dicke

Dichtungen unter die Spannzahnplatte.

(3) Wenn diese Dicke 1,4 mm überschreitet, setzen Sie zwei 0,2 mm dicke Dichtungen in die Mitte des Gehäuses und der Dichtung ein.

Abstand (b) zwischen der Unterseite des Vibrationsstabs und der Schmelzzahnplatte

Messen Sie den Abstand zwischen der Unterseite des Vibrationsstabs und der Schmelzzahnplatte (siehe Abbildung oben) mit einem Fühler. Beachten Sie beim Messen bitte Folgendes Schritte:

(1) Drücken Sie den Fusionsknopf (rot) mindestens 2 Sekunden lang, sodass sowohl der Kolben als auch der Vibrationsstab vollständig nach unten zeigen.

(2) Messen Sie den Abstand (b) mit einem Fühler ; Wenn keine Dichtung verwendet wird, beträgt der Abstand (b). wurde auf 0,5 mm eingestellt. Wenn die Dicke des Verpackungsbandes weniger als 0,6 mm beträgt, fügen Sie a ein 0,2-mm-Dichtung an der Unterseite der Fusionszahnplatte.

Notiz:

- **Verringern Sie den Abstand (b) nicht durch Einfügen zu vieler Dichtungen.**
- **Die Verpackungsmaschine kann beschädigt werden, wenn zwischen der Unterseite des Vibrationsstabs und der Schmelzzahnplatte kein Abstand besteht.**
- **Wenn der Vibrationsstab auf die gezahnte Schmelzplatte trifft, werden die Zähne der Platte sofort beschädigt.**

21. Störung und Fehlerbehebung

Häufige Fehler und deren Beseitigung:

(5) Spannerbetrieb

Phänomen	Ursachen	Fehlerbehebung
----------	----------	----------------

<p>Motorkörper kann nicht gestartet werden .</p>	<ol style="list-style-type: none"> 1.Es befindet sich Fremdmaterial im . 2.Der Motor ist zu trocken und braucht von Schmierung . 3. Falsche Einstellung für Luftventil führt zu Luftdruckmangel . 	<ol style="list-style-type: none"> 1.Liefern Verpackungsmaschine zur Fabrik zur Reparatur 2.Fügen Sie mehrere Tropfen Schmieröl hinzu Motor vom Lufteinlass 3.Luftventil neu einstellen
<p>Spannrolle drückt die obere Verpackungsband .</p>	<ol style="list-style-type: none"> 1.Abstand zwischen Spannrolle und die Zahnplatte ist zu breit . 2.In Bezug auf die Dicke der Verpackung Riemen, Spannkraft ist zu stark . 3. Die Spannrolle ist durch Staub blockiert oder Rückstände vom Verpackungsband . 4. Die Zähne der Aufnahmerolle sind stumpf . 	<ol style="list-style-type: none"> 1.Dichtung erhöhen. 2. Passen Sie die Spannung des Verpackungsbandes an durch Einstellen des Luftventils mit einem Schraubendreher . 3. Reinigen Sie die Zähne der Aufwickelrolle mit Luftblaspistole oder Pinsel . 4. Aufwickelvorrichtung austauschen Rolle.
<p>Beim Verpacken , Verpackungsmaschine bewegt sich vorwärts oder kippen Klemmen Sie das Ende des Verpackungsbandes .</p>	<ol style="list-style-type: none"> 1. Die Aufnahmezahnplatte ist blockiert durch Rückstände des Verpackungsbandes . 2.Die Zähne der Aufnahmezahnstange Platte sind stumpf . 3.Die Spannung des 	<ol style="list-style-type: none"> 1.Reinigen Sie die Zähne der Aufnahmezahnstange Platte, Rückstände mit Luft abblasen Blaspistole . 2. Aufwickelzahnplatte austauschen. 3. Stellen Sie die

	Verpackungsbandes ist zu stark .	Drosselklappe mit einem kleinen Einsteller ein Schraubendreher .
--	----------------------------------	--

Vorsichtsmaßnahmen während des Spannvorgangs

- ① Nach dem der Artikel mit dem Verpackungsband zusammengebunden ist, halten Sie den überlappenden Teil mit der linken Hand fest Ziehen Sie den überflüssigen Teil heraus.
- ② Stellen Sie sicher, dass der überlappende Teil des Verpackungsbandes in der Verpackungsmaschine eingelegt ist Ausrichtung.
- ③ Wenn beim Verpacken die Spannung zu hoch ist, reißt das Verpackungsband. Kontrolle die Spannung des Verpackungsbandes durch Einstellen des Luftventils.

(6) Fusionsbetrieb

Phänomen	Ursachen	Fehlerbehebung
Unvollständig Fusion bzw NEIN Verschmelzung	<ol style="list-style-type: none"> 1. Die Fusionszeit ist zu kurz 2. Der Luftdruck stimmt nicht genug 3. Der Innendurchmesser des Luftrohrs ist zu klein 4. Die Zähne von Fusion o n gezahnt Platte oder Rüttelstab ist durch Rückstände verstopft oder verschlissen aus 	<ol style="list-style-type: none"> 1. Informationen zur Einstellung finden Sie in diesem Handbuch Fusionszeit . 2. Luft mit dem Luftdruck von zuführen 72psi oder höher . 3. Ersetzen Sie das Luftrohr durch ein Luftrohr mit einem Innendurchmesser von über 6,4 mm . 4. Reinigen Zahnteil

	5.Vibrationsmotor ist zu trocken und schmierungsbedürftig	bzw vibrierend ersetzen Stange und Fusionszahnplatte . 5.Schmieröl aus dem Lufteinlass hinzufügen
Verpackungsband ist übermäßig verschmolzen bzw gebrochen während der ausgeschaltet Verschmelzung Verfahren	1.Die Dicke der Verpackung Gürtel ist nicht genug 2. Die Fusionszeit ist zu lang 3.Die Abkühlzeit für Reibung Fusionsteil ist zu kurz .	1. Verwenden Sie das Verpackungsband, das richtig Spezifikation 2. Reduzieren Sie die Fusionszeit nach Bedarf. Siehe dieses Handbuch 3.Behalten mindestens 3 Sekunden nach Verschmelzung
Verpackungsmaschine kann nicht losfahren Aus Verpackung Band nach der Fusion	1. Die Spannrolle funktioniert nicht rückwärts. Verpackungsband lässt sich nicht lösen . 2.Vibrationsstab hebt sich nicht vom Verpackungsband .	1. Drücken Sie zum Freigeben die Rückspultaste die Spannung des Verpackungsbandes lt 2.Halten Sie den Griff des Aufhellers fest Ermöglichen Sie die Verbindung mit dem Spanner Auslassventil und dann einschalten Absperrventil

Vorsichtsmaßnahmen während der Fusion

① Eine solide Verschmelzung kann eine glatte und gratfreie Verbindung gewährleisten, eine zu lange Verschmelzung verringert jedoch die Haftkraft des PET-Verpackungsbandes.

② Nachher Fusion, 3S beibehalten, andernfalls wird die Fusionsverbindung verformt oder getrennt.

Hersteller: Shanghai muxinmuyeyouxiangongsi

Adresse : Shuangchenglu 803nong11hao1602A-1609shi, Baoshanqu, Shanghai 200000 CN.

Importiert nach AUS: SIHAO PTY LTD, 1 ROKEVA STREET EASTWOOD NSW 2122 Australien

In die USA importiert: Sanven Technology Ltd., Suite 250, 9166 Anaheim Place, Rancho Cucamonga, CA 91730

EC	REP
-----------	------------

E-CrossStu GmbH
Mainzer Landstr.69, 60329 Frankfurt am Main.

UK	REP
-----------	------------

YH CONSULTING LIMITED.
C/O YH Consulting Limited Office 147, Centurion House,
London Road, Staines-upon-Thames, Surrey, TW18 4AX

VEVOR[®]

TOUGH TOOLS, HALF PRICE

Zertifikat für technischen Support und E-Garantie

www.vevor.com/support

VEVOR[®]

TOUGH TOOLS, HALF PRICE

Supporto tecnico e certificato di garanzia elettronica

www.vevor.com/support

Macchina per imballaggi

MODELLO: XQD19 , XQD19B , XQD25

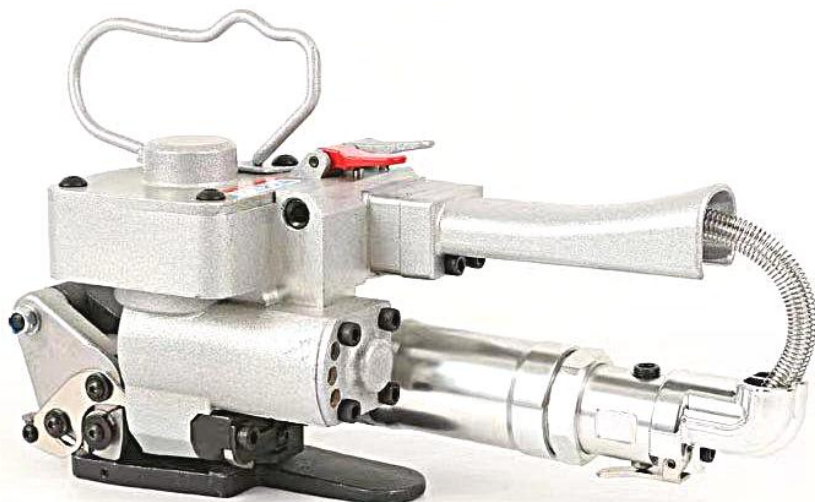
We continue to be committed to provide you tools with competitive price. "Save Half", "Half Price" or any other similar expressions used by us only represents an estimate of savings you might benefit from buying certain tools with us compared to the major top brands and does not necessarily mean to cover all categories of tools offered by us. You are kindly reminded to verify carefully when you are placing an order with us if you are actually saving half in comparison with the top major brands.

VEVOR®

TOUGH TOOLS, HALF PRICE

STRAPPING MACHINE

Modello: XQD19 , XQD19B , XQD25



NEED HELP? CONTACT US!

Have product questions? Need technical support? Please feel free to contact us:

Technical Support and E-Warranty Certificate
www.vevor.com/support

This is the original instruction, please read all manual instructions carefully before operating. VEVOR reserves a clear interpretation of our user manual. The appearance of the product shall be subject to the product you received. Please forgive us that we won't inform you again if there are any technology or software updates on our product.

INSTRUCTIONS

Grazie mille per aver scelto questa reggiatrice
- Si prega di leggere tutte le istruzioni prima di utilizzarlo. Le informazioni ti aiuteranno a ottenere i migliori risultati possibili.
I prodotti presenti in questo catalogo potrebbero differire nel colore rispetto all'articolo reale .

22. Istruzioni di sicurezza

Si prega di leggere attentamente il manuale prima di utilizzare questa confezionatrice.

Norme generali di sicurezza

- 1.Tenere presente il principio della "sicurezza prioritaria" e utilizzare correttamente questo strumento pneumatico;
- 2.Leggere attentamente il manuale prima dell'uso;
- 3.Non smontare le parti di sicurezza dell'utensile;
- 4.Non strappare o danneggiare l'etichetta o il marchio del prodotto;
5. Non inserire le mani o altre parti del corpo tra il nastro di imballaggio e l'utensile di imballaggio.

Applicazione

Questo strumento è appositamente progettato per rilegare articoli con nastro da imballaggio in PET;

Larghezza applicabile del nastro di imballaggio: 13,16,19 mm;

Non utilizzare la cinghia di imballaggio per il sollevamento.

Vestizione corretta

Indossare occhiali di sicurezza, cuffie antirumore, guanti protettivi, casco, calzature protettive

e camicia a maniche lunghe, allaccia tutti i bottoni; fai attenzione alla cravatta, ai capelli lunghi e al tessuto non dovrà essere agganciato dalla macchina confezionatrice.

Fonte di gas

·Assicurarsi che il tubo di alimentazione dell'aria possa sopportare la

pressione e sia resistente all'olio;

·Utilizzare lo speciale raccordo rapido per il tubo dell'aria; la pressione dell'aria non deve superare 1 16 psi/ 8 bar;

·Utilizzare solo aria compressa pulita, anziché una fonte di gas o una fonte dinamica,

Ventilazione

L'aria interna può essere facilmente inquinata dall'olio lubrificante; pertanto, la ventilazione dovrebbe essere adeguata essere corretto.

Vibrazione

È dannoso per gli operatori se vengono a contatto per lungo tempo con eccessive vibrazioni le specifiche operative devono essere conformi ai requisiti pertinenti della norma ISO5349.

Rumore

Gli operatori devono indossare cuffie antirumore se il rumore è superiore a 85 Db(A). Anche se il rumore è inferiore a 85 Db(A), si consiglia inoltre di indossare cuffie antirumore.

Occhiali di sicurezza

Se la cinghia di tensionamento dell'imballaggio si rompe improvvisamente, potrebbe ferire gli occhi e causare cecità, quindi gli operatori devono indossare occhiali di sicurezza.

Nota:

Mentre si taglia il nastro di imballaggio, tenerne la parte superiore e posizionarsi di lato; la cinghia superiore verrà tagliata; fare attenzione, non dovrebbero esserci persone nelle vicinanze. Durante la manutenzione e la pulizia, la polvere portata dalla pistola ad aria compressa è dannosa agli occhi .

Parte mobile

Durante il funzionamento, la parte mobile (puleggia di serraggio) potrebbe agganciare il guanto o altre parti del corpo, quindi quando la puleggia di riavvolgimento sta ruotando, non toccarla.

Manutenzione

- Effettuare la manutenzione quotidiana della macchina;
- Controllare regolarmente e rimuovere la polvere con una pistola ad aria compressa;
- Serrare le viti del gancio;
- Spegnere la fonte di gas durante la sostituzione delle parti.

Pericolo durante il taglio

La lama affilata sul supporto della lama potrebbe ferire mani e dita, quindi indossarla Guanti di sicurezza.

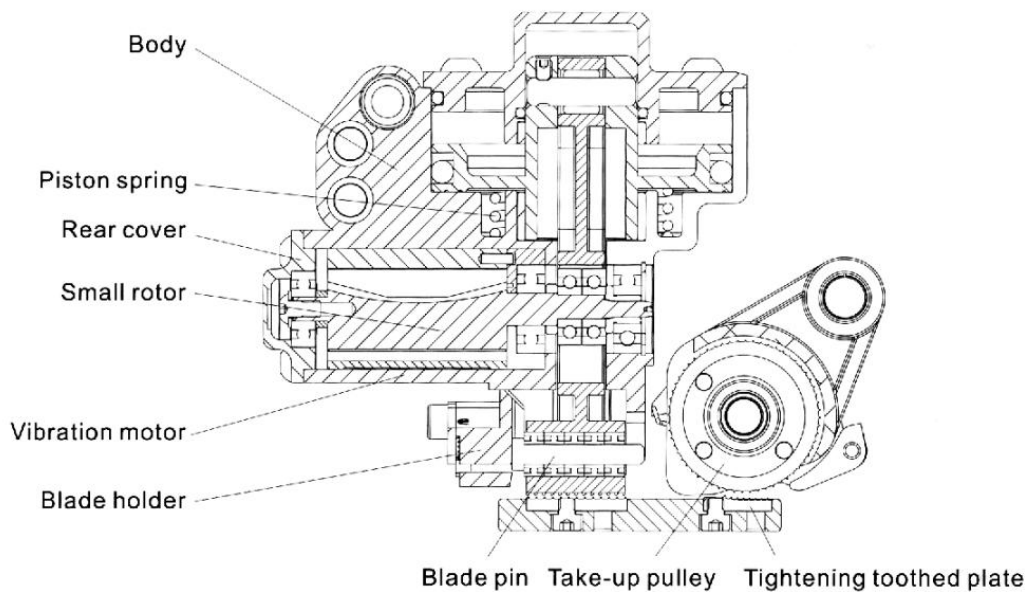
23. Principio della fusione per attrito

Questo strumento è una sorta di macchina confezionatrice per fusione per attrito. Il materiale termoplastico lappato il nastro da imballaggio viene fuso dal calore prodotto dal movimento di attrito; da qui il nome “fusione per attrito”

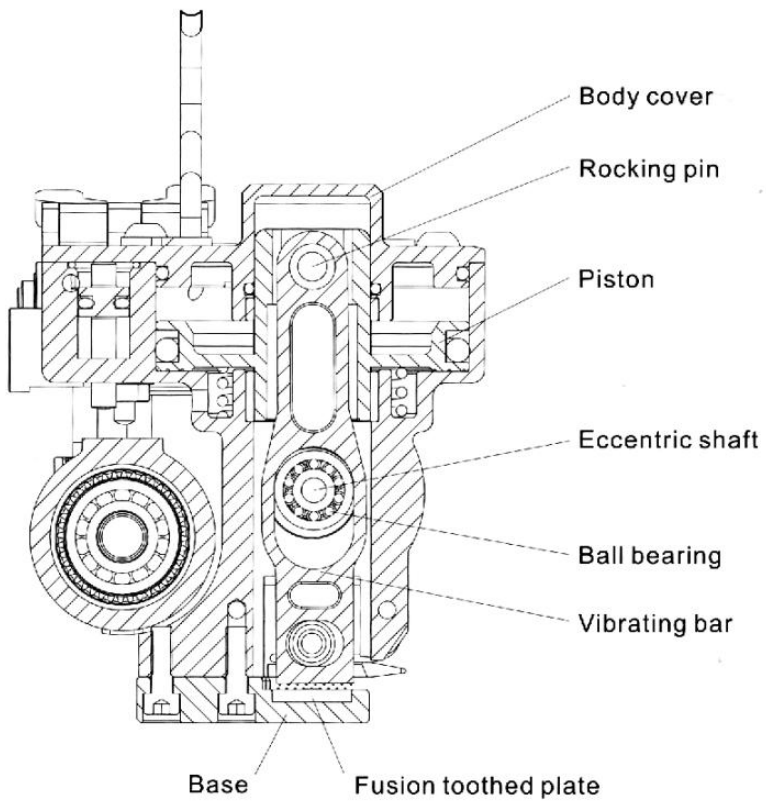
L'aria compressa spingerà il pistone all'interno del cilindro dell'aria. La parte superiore del pistone e la barra vibrante è collegata al perno oscillante, quindi la barra vibrante premerà il parte lambita del nastro di imballaggio durante lo spostamento verso il basso.

C'è un foro ellittico al centro della barra vibrante, a questo foro è collegato l'albero eccentrico del motore pneumatico. Il motore pneumatico ruota ad alta velocità (10000 giri/min), quindi la barra vibrante esegue rapidamente il movimento reciproco. La parte inferiore del nastro di imballaggio è fissato dai denti della spina della piastra dentata di fusione e dalla sua parte superiore è azionato dai denti del vibratore per un attrito intenso. Quindi, la parte lappata di il nastro di imballaggio viene fuso dal calore prodotto dall'attrito. Quando il timer di vibrazione raggiunge il set tempo, la vibrazione si interrompe e la fusione viene completata.

Sia la parte superiore che quella inferiore del nastro di confezionamento



sono bloccate durante l'estrusione.



24. Specifiche e parti

Modalità	XQD19	XQD19B	XQD25
Materiale del nastro di imballaggio	ANIMALE DOMESTICO /PP	ANIMALE DOMESTICO	ANIMALE DOMESTICO
Larghezza del nastro di imballaggio (mm)	13~19	13~19	19~25
Nastro di imballaggio spessore (mm)	0,5~1.2	0,5~1.2	0,5~1,5
Forza di tensione della fascia di legatura (quando si immette aria la pressione è 0,63 MPa)	3000 N	3000 N	3500N

Pressione di esercizio massima consentita: 0,8 MPa

Ambito richiesto della pressione di esercizio: 0,5~0,7Mpa (72~100 psi)

Pressione di esercizio ideale: 0,63 MPa

Materiale del nastro di imballaggio : PET

Olio lubrificante consentito: 51#

Consumo di aria compressa: 0,3 l/min

Regolazione dell'ambito del tempo di fusione: 2~5 secondi

Dispositivo di taglio pesante

Il dispositivo di taglio pesante è composto da supporto lama e lama e viene utilizzato per tagliare il nastro di imballaggio spesso 0,5 ~ 1,5 mm.

Dispositivo di taglio a frizione

Il dispositivo di taglio a frizione viene utilizzato per tagliare 0,5~0,7 mm di spessore nastro da imballaggio in PET leggero.

Sospensione

I ganci adeguati possono essere sospesi in diverse posizioni (sigillatura superiore, sigillatura verticale; e sigillatura orizzontale).

25. Istruzioni sulla fonte di gas

Requisito di pressione dell'aria

La portata richiesta della pressione dell'aria: 72-100 psi (0,5-0,7 MPa).

Installazione della fonte di gas

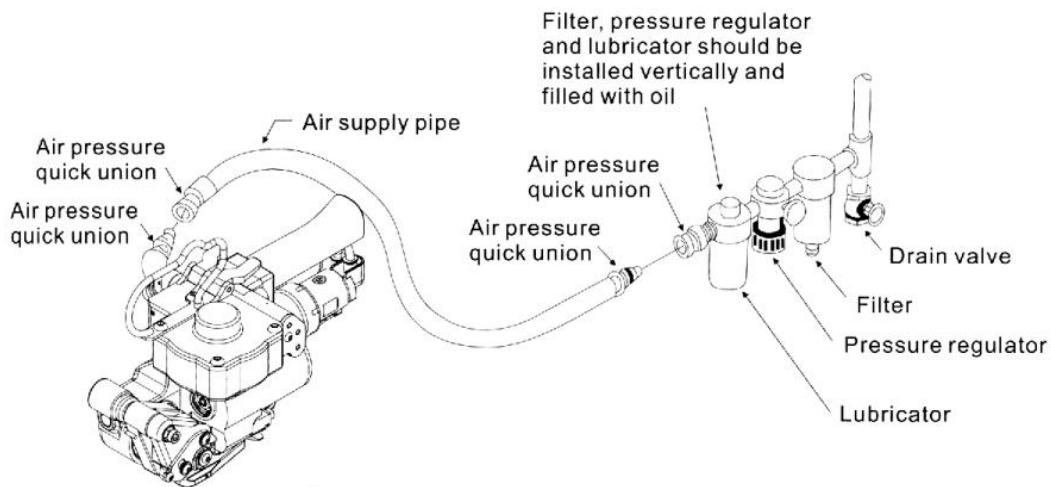
Il filtro , la valvola di regolazione della pressione e il gruppo lubrificatore devono essere vicini a utensile pneumatico. Il diametro interno minimo del tubo dell'aria è 6,0 mm (1/4). Entrambe le estremità dell'aria il tubo di alimentazione deve essere dotato di raccordi rapidi.

Filtrazione dell'umidità

È necessario montare una valvola di scarico sul fondo del bypass del circuito di alimentazione dell'aria per eseguire lo scarico una volta al giorno.

Lubrificazione

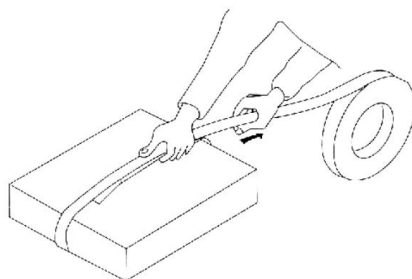
Il motore pneumatico deve essere lubrificato correttamente e il lubrificatore deve essere pieno e ben regolato (una goccia ogni 2 minuti).



26. Istruzioni operative

(1) Come rilegare

Come mostrato nella figura a sinistra, raggruppare l'articolo con la cinghia da imballaggio, trattenere la parte lappata mano sinistra, lasciare circa 300 mm di coda, tirare la parte rimanente verso l'esterno con la mano destra.



(2) Posizionare il nastro di imballaggio

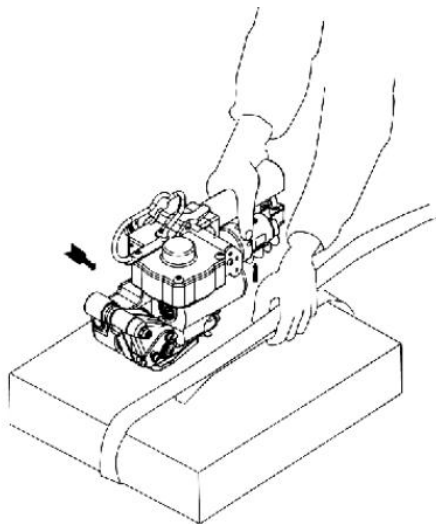
Tenere la maniglia e stringerla con la mano destra (per garantire la dimensione massima di apertura tra

puleggia tenditrice e piastra dentata di serraggio), inserire sia la parte superiore che quella inferiore dell'imballo

nastro nella macchina

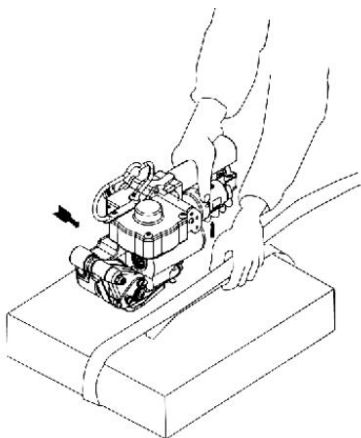
confezionatrice. **Nota: il lappato parte del nastro di imballaggio deve essere separata da la lama del supporto lama; rilasciare il tenditore**

(la puleggia tenditrice aggancia la cinghia di imballaggio strettamente)



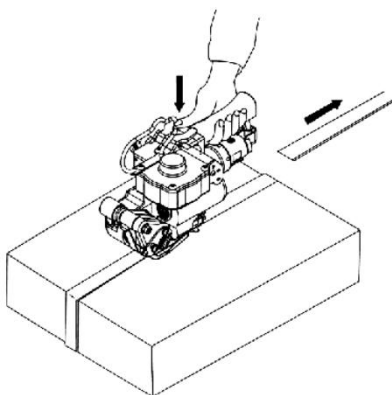
(3) Tendere la cinghia di imballaggio

Premere il pulsante di serraggio (lato destro) con il pollice della mano destra finché il nastro di imballaggio non risulta teso completamente.



(4) Vibrazioni e tagli

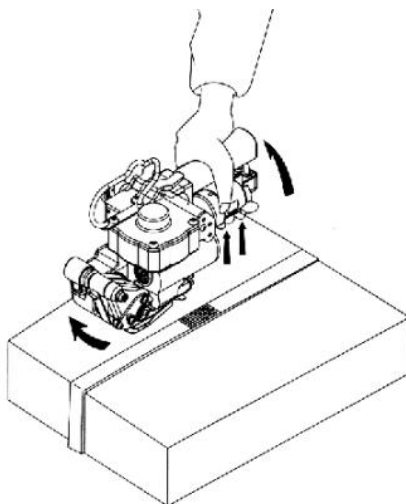
Premere il pulsante di fusione (lato sinistro) con il pollice mano destra finché la cinghia di imballaggio non viene fusa e tagliare



(5) Rimuovere l'imballaggio macchina

Premere saldamente la maniglia e il tenditore con la destra mano. Premere il pulsante di riavvolgimento con il piccolo dito della mano destra finché la cintura non viene rilasciata la puleggia di riavvolgimento. Premere la maniglia e il tenditore saldamente, rimuovere lo strumento dalla cinghia di imballaggio.

Nota: non rimuovere il macchina

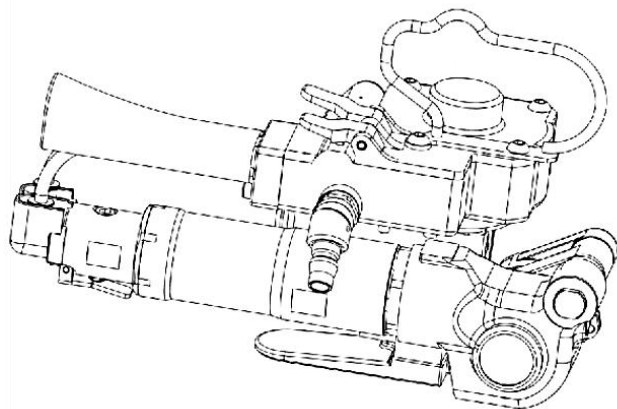


confezionatrice fino al rilascio del nastro di imballaggio.	
--	--

27. Regolazione della tensione

Tensione del nastro di imballaggio

La tensione della cinghia di imballaggio può essere regolata con un cacciavite attraverso lo stelo della valvola di scarico montata sotto il pulsante di serraggio accanto alla maniglia.



Avvertimento:

il nastro da imballaggio leggero (<0,7 mm) può sopportare 150 kg di tensione. Non applicare una tensione eccessiva; altrimenti il nastro di imballaggio potrebbe rompersi.

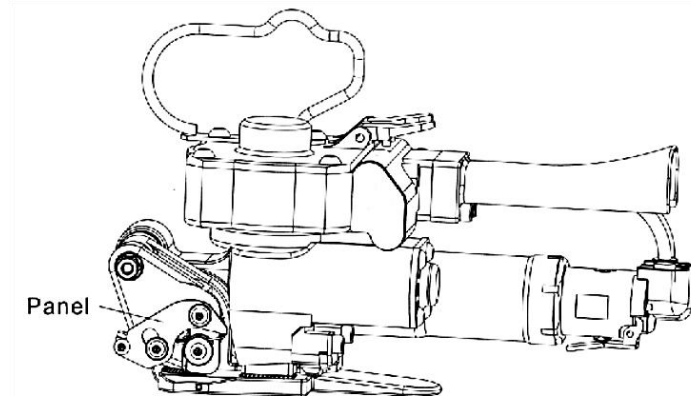
Tempo di fusione per attrito

Il tempo di fusione per attrito può essere regolato in base alle dimensioni del nastro di imballaggio, alla quantità di pressione dell'aria e alle condizioni della macchina confezionatrice. Per questo motivo, viene utilizzato un piccolo cacciavite per regolare la piccola vite sotto il pulsante di fusione (rosso). Il tempo aumenterà se si ruota in senso orario e diminuirà se si ruota in senso antiorario: stringere il dado di bloccaggio dopo la regolazione. La fusione del suono può garantire una fusione fluida e senza bave articolazioni.

Larghezza del nastro di imballaggio

(1) Pannello

Il pannello può essere smontato dalla macchina imballatrice rimuovendo le sue viti. Sostituire un nuovo pannello in base alle dimensioni del nastro di imballaggio utilizzato e al metodo di installazione del pannello precedente.



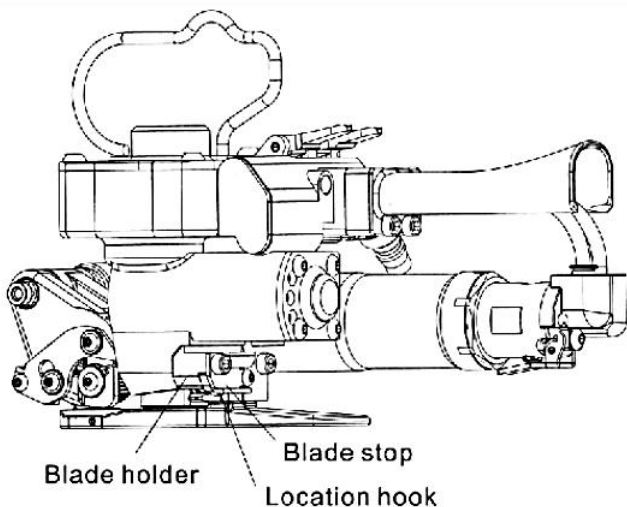
(2) Gancio di posizione

Il gancio di posizionamento del supporto lama può essere rimontato rimuovendo la molla perno dal supporto della lama .

Nota: All'interno del gancio di posizionamento è presente una piccola molla di compressione. Non perderla.

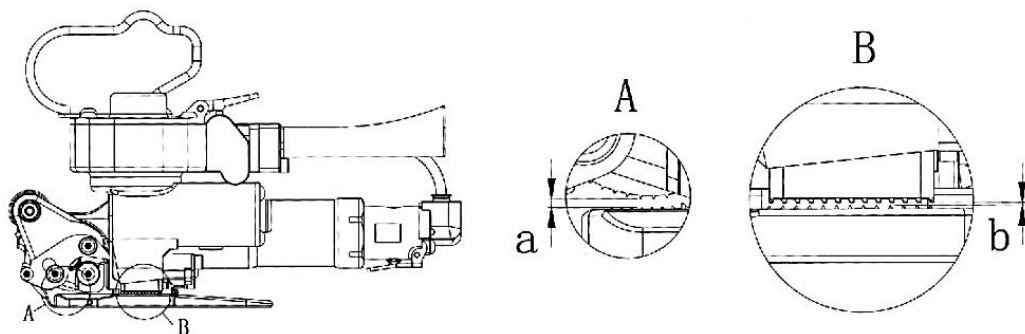
Riassemblaggio

Scegliere un foro tra i tre fori del supporto lama in base alla dimensione del nastro da imballaggio. Il foro esterno è utilizzato per il nastro da imballaggio da 19 mm; il foro medio è per il nastro da imballaggio da 16 mm; e il foro interno è per il nastro da imballaggio da 13 mm.



Distanza(a)tra puleggia tenditrice e piastra dentata tenditrice

La distanza tra la puleggia tenditrice e la piastra dentata di tensionamento deve essere regolata in base alle dimensioni del nastro di imballaggio utilizzato. Controllare la distanza (a) tra la puleggia tenditrice e la piastra dentata di tensionamento con un tastatore (come mostrato nella figura figura sotto).



La distanza (a) non deve essere inferiore allo spessore dell'imballaggio cintura. Mentre consegna, questa distanza è impostata su 1,0 mm in più rispetto allo spessore del nastro di imballaggio.

- (1) Se lo spessore del nastro da imballaggio è 0,8 mm, posizionare una guarnizione spessa 0,2 mm sotto la piastra dentata di serraggio;
- (2) Se tale spessore è 0,6 mm, posizionare due guarnizioni di spessore 0,2

mm sotto la piastra dentata di serraggio;

(3) Se tale spessore supera 1,4 mm, inserire due guarnizioni spesse 0,2 mm al centro del corpo e della baderna.

Distanza (b) tra il fondo della barra vibrante e la piastra dentata di fusione

Misurare la distanza tra il fondo della barra vibrante e la piastra dentata di fusione (vedere la figura sopra) con uno spessimetro. Durante la misurazione, seguire quanto segue passaggi:

(1) Premere il pulsante di fusione (rosso) per almeno 2 secondi, in modo che sia il pistone che la barra vibrante siano completamente verso il basso.

(2) Misurare la distanza (b) con un tastatore; se non viene utilizzata alcuna guarnizione, la distanza (b) ha stato impostato su 0,5 mm. Se lo spessore del nastro di imballaggio è inferiore a 0,6 mm, inserire a Guarnizione da 0,2 mm sul fondo della piastra dentata di fusione.

Nota:

- **Non ridurre la distanza (b) inserendo troppe guarnizioni;**
- **La confezionatrice può danneggiarsi se non c'è gioco tra il fondo della barra vibrante e la piastra dentata di fusione;**
- **Se la barra vibrante colpisce la piastra dentata di fusione, i denti della piastra verranno danneggiati immediatamente.**

28. Guasti e risoluzione dei problemi

Guasti comuni e risoluzione dei problemi:

(7) Operazione del tenditore

Fenomeno	Cause	Risoluzione dei problemi
----------	-------	--------------------------

<p>Corpo motore non può iniziare .</p>	<p>1.È presente materiale estraneo all'interno il motore . 2.Il motore è troppo secco e in difficoltà Di lubrificazione . 3.Regolazione errata per la valvola dell'aria provoca la mancanza di pressione dell'aria .</p>	<p>1.Consegna macchina confezionatrice in fabbrica per riparazione 2.Aggiungere diverse gocce di olio lubrificante motore dalla presa d'aria 3.Regolare la valvola dell'aria</p>
<p>Puleggia di serraggio preme la parte superiore cintura di imballaggio .</p>	<p>1.Distanza tra la puleggia tenditrice e la piastra dentata è troppo larga . 2.In termini di spessore dell'imballaggio cinghia, la forza di tensione è eccessiva . 3.La puleggia di raccolta è bloccata dalla polvere o residui del nastro di imballaggio . 4. I denti della puleggia di presa sono schiatti .</p>	<p>1.aumento guarnizione. 2.Regolare la tensione del nastro di imballaggio regolando la valvola dell'aria con un cacciavite . 3.Pulire i denti della puleggia tenditrice con pistola ad aria compressa o pennello . 4.Sostituire il riavvolgimento puleggia.</p>
<p>Durante l'imballaggio , macchina confezionatrice va avanti o non posso bloccare l'estremità del nastro di imballaggio .</p>	<p>1.La piastra dentata di raccolta è bloccata dai residui del nastro di imballaggio . 2. I denti della presa sono dentati il piatto è smussato . 3.La tensione del nastro di imballaggio è adeguata troppo forte .</p>	<p>1.Pulire i denti del tenditore dentato piastra, soffiare via i residui con aria pistola ad aria compressa . 2.Sostituire la piastra dentata di raccolta. 3.Regolare la valvola a farfalla con una piccola Cacciavite .</p>

Precauzioni durante l'operazione di tensionamento

- ① Dopo aver legato l'articolo con la cinghia da imballaggio, tenere la parte sovrapposta con la mano sinistra estrarre la parte ridondante.
- ② Assicurarsi che la parte sovrapposta del nastro di imballaggio nella confezionatrice sia inserita allineamento.
- ③ Durante l'imballaggio, se la tensione è troppo elevata, il nastro di imballaggio si romperà. Controllare la tensione del nastro di imballaggio regolando la valvola dell'aria.

(8) Operazione di fusione

Fenomeno	Cause	Risoluzione dei problemi
Incompleta fusione o NO fusione	<ol style="list-style-type: none">1. Il tempo di fusione è troppo breve2. La pressione dell'aria non è abbastanza3. Il diametro interno del tubo dell'aria è troppo piccolo4. I denti di fusione sono dentati, piastra o barra vibrante ostruiti da residui o usurati fuori5. Il motore di vibrazione è troppo secco e necessita di lubrificazione	<ol style="list-style-type: none">1. Fare riferimento a questo manuale per la regolazione del tempo di fusione.2. Fornire aria alla pressione di 72psi o più alta.3. Sostituire il tubo dell'aria con un tubo dell'aria con diametro interno superiore a 6,4 mm.4. Pulire le parti dei denti o sostituire la vibrazione, barra e piastra dentata di fusione.5. Aggiungere olio lubrificante dalla presa d'aria
Nastro di imballaggio è eccessivamente fuso o rotto, spento durante	<ol style="list-style-type: none">1. Lo spessore dell'imballaggio la cintura non è sufficiente2. Il tempo di fusione è troppo lungo	<ol style="list-style-type: none">1. Utilizzare la cinghia di imballaggio in dotazione corretta specifica2. Ridurre il tempo di fusione secondo

<p>il Fusione processi</p>	<p>3.Il tempo di raffreddamento per l'attrito la parte di fusione è troppo corta .</p>	<p>necessità.Fare riferimento a questo manuale 3.Conserva almeno 3 secondi dopo fusione</p>
<p>Macchina confezionatrice non posso andare via Da confezione cinghia dopo la fusione</p>	<p>1.La puleggia di raccolta non funziona retromarcia. La cinghia di imballaggio non può allentarsi . 2.La barra vibrante non si solleva dal nastro di imballaggio .</p>	<p>1.Premere il pulsante di riavvolgimento per rilasciare la tensione dell'imballaggio deve essere It 2.Tenere il manico dello schiarente verso l'alto consentire al tenditore di connettersi con valvola di scarico, quindi accendere valvola di intercettazione</p>

Precauzioni durante la fusione

①La fusione sonora può garantire un giunto liscio e senza sbavature, tuttavia, una fusione troppo lunga ridurrà la forza adesiva del nastro di imballaggio in PET.

②Dopo fusione, mantenere 3S, altrimenti il giunto di fusione sarà deformato o separato.

Produttore: Shanghaimuxinmuyeyouxiangongsi

Indirizzo : Shuangchenglu 803nong11hao1602A-1609shi, baoshanqu, shanghai 200000 CN.

Importato in AUS: SIHAO PTY LTD, 1 ROKEVA STREETEASTWOOD NSW 2122 Australia

Importato negli Stati Uniti: Sanven Technology Ltd., Suite 250, 9166 Anaheim Place, Rancho Cucamonga, CA 91730

EC	REP
-----------	------------

E-CrossStu GmbH
Mainzer Landstr.69, 60329 Frankfurt am Main.

UK	REP
-----------	------------

YH CONSULTING LIMITED.
C/O YH Consulting Limited Office 147, Centurion House,
London Road, Staines-upon-Thames, Surrey, TW18 4AX

VEVOR[®]

TOUGH TOOLS, HALF PRICE

Supporto tecnico e certificato di garanzia elettronica

www.vevor.com/support

VEVOR[®]

TOUGH TOOLS, HALF PRICE

Soporte técnico y certificado de garantía electrónica

www.vevor.com/support

Máquina flejadora

MODELO: XQD19 , XQD19B , XQD25

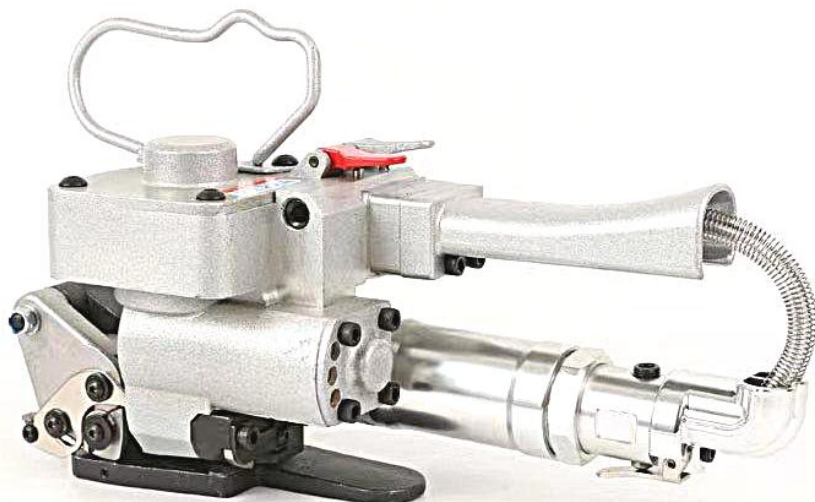
We continue to be committed to provide you tools with competitive price. "Save Half", "Half Price" or any other similar expressions used by us only represents an estimate of savings you might benefit from buying certain tools with us compared to the major top brands and does not necessarily mean to cover all categories of tools offered by us. You are kindly reminded to verify carefully when you are placing an order with us if you are actually saving half in comparison with the top major brands.

VEVOR®

TOUGH TOOLS, HALF PRICE

STRAPPING MACHINE

Modelo: XQD19 , XQD19B , XQD25



NEED HELP? CONTACT US!

Have product questions? Need technical support? Please feel free to contact us:

Technical Support and E-Warranty Certificate
www.vevor.com/support

This is the original instruction, please read all manual instructions carefully before operating. VEVOR reserves a clear interpretation of our user manual. The appearance of the product shall be subject to the product you received. Please forgive us that we won't inform you again if there are any technology or software updates on our product.

INSTRUCTIONS

Muchas gracias por elegir esta máquina flejadora

- Lea todas las instrucciones antes de usarlo. La información le ayudará a lograr los mejores resultados posibles.

Los productos incluidos en este catálogo pueden tener un color diferente al del artículo real .

29. Instrucciones de seguridad

Lea atentamente el manual antes de utilizar esta máquina envasadora.

Reglas generales de seguridad

1. Tenga en cuenta el principio de "seguridad ante todo" y opere esta herramienta neumática correctamente;
2. Lea atentamente el Manual antes de la operación;
3. No desmonte las piezas de seguridad de la herramienta;
4. No rasgue ni dañe la etiqueta o marca del producto;
5. No coloque la mano ni otras partes del cuerpo entre el cinturón de embalaje y la herramienta de embalaje.

Solicitud

Esta herramienta está especialmente diseñada para encuadernar artículos con cinta de embalaje de PET;

Ancho aplicable de la correa de embalaje: 13,16,19 mm;

No utilice la correa de embalaje para levantar.

Vestirse correctamente

Utilice gafas de seguridad, orejeras, guantes protectores, casco y calzado protector.

y camisa de manga larga, abrocha todos los botones; cuida tu corbata, pelo largo y tela no deberá quedar enganchado por la máquina envasadora.

fuelle de gas

· Asegúrese de que la tubería de suministro de aire pueda soportar presión y sea resistente al aceite;

- Utilice la unión rápida especial para tubería de aire; la presión del aire no debe exceder 16 psi/ 8 bar;
- Utilice únicamente aire comprimido limpio, en lugar de una fuente de gas o una fuente dinámica.

Ventilación

El aire interior puede contaminarse fácilmente con aceite lubricante; por lo tanto, la ventilación debe ser apropiado.

Vibración

Es perjudicial para los operadores si entran en contacto con vibraciones excesivas durante mucho tiempo. Las especificaciones de operación deben cumplir con los requisitos relevantes de ISO5349.

Ruido

Los operadores deberán usar orejeras si el ruido es superior a 85 dB (A). Incluso si el ruido es inferior a 85dB(A), también se recomienda usar orejeras.

Lentes de seguridad

Si la correa tensora del embalaje se rompe repentinamente, puede dañar los ojos y provocar lesiones.

ceguera, por lo que los operadores deben usar gafas de seguridad.

Nota:

Mientras corta la cinta de embalaje, sostenga su parte superior y párese a su lado; la correa superior se cortará; tenga cuidado, no debe haber personas en los alrededores. Durante el mantenimiento y la limpieza, el polvo que trae la pistola de aire es dañino a los ojos .

Parte móvil

Durante el funcionamiento, la parte móvil (polea de ajuste) puede enganchar el guante u otra parte de su cuerpo, por lo que cuando la polea tensora esté girando, no la toque.

Mantenimiento

- Realizar el mantenimiento diario de la máquina;
- Revise periódicamente y elimine el polvo con una pistola de aire;

- Apretar los tornillos del gancho;
- Apague la fuente de gas mientras reemplaza piezas.

Peligro al cortar

La hoja afilada del portacuchillas puede dañar su mano y su dedo, así que use guantes de seguridad.

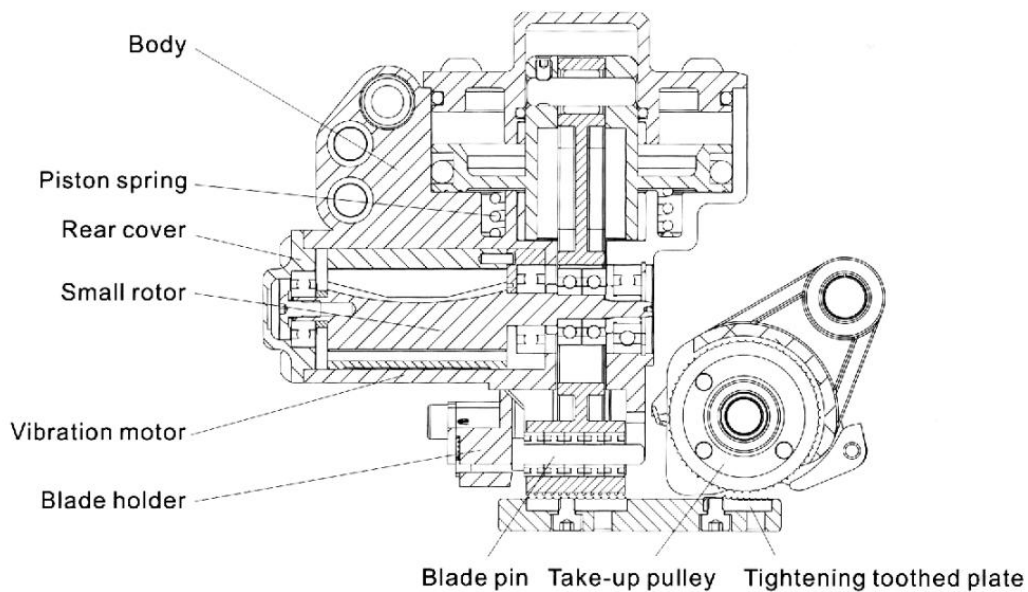
30. Principio de fusión por fricción

Esta herramienta es un tipo de máquina de envasado por fusión por fricción. El termoplástico traslapado La correa de embalaje se funde por el calor producido por el movimiento de fricción; por lo tanto, se llama “fusión por fricción”

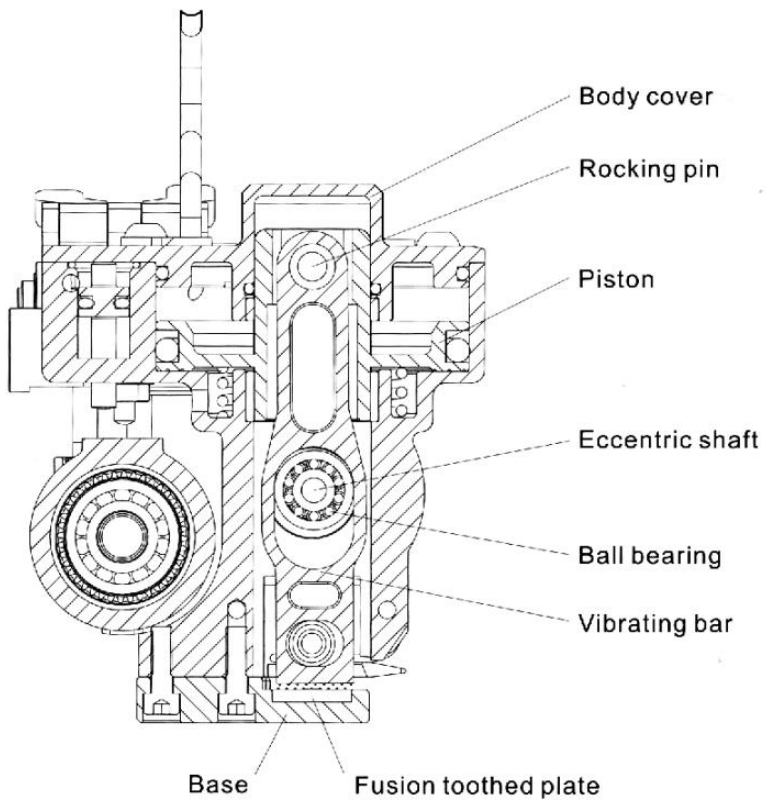
El aire comprimido empujará el pistón dentro del cilindro de aire. La parte superior del pistón Y la barra vibratoria está conectada al pasador oscilante, por lo que la barra vibratoria presionará el parte traslapada de la cinta de embalaje al bajar.

Hay un orificio elíptico en el centro de la barra vibratoria. Este orificio está conectado a El eje excéntrico del motor neumático. El motor neumático gira a alta velocidad. (10000 rpm), por lo que la barra vibratoria realiza un movimiento recíproco rápidamente. La parte inferior de la correa de embalaje se fija mediante los dientes de clavija de la placa dentada de fusión y su parte superior es impulsado por los dientes de clavija del vibrador para una fricción extenuante. Por lo tanto, la parte traslapada de La correa de embalaje se funde por el calor producido por la fricción. Cuando el temporizador de vibración llega al set tiempo, la vibración se detiene y se completa la fusión.

Tanto la parte superior como la inferior de la cinta de embalaje se atascan



durante la extrusión.



31. Especificaciones y piezas

Modo	XQD19	XQD19B	XQD25
Material de la cinta de embalaje	PET /PP	MASCOTA	MASCOTA
Ancho de la cinta de embalaje (mm)	13 ~ 19	13~19	19 ~ 25
Cinta de embalaje de espesor (mm)	0,5~1.2	0,5~1.2	0,5~1,5
Fuerza de tensión de la banda de unión (cuando entra aire La presión es de 0,63 Mpa)	3000N	3000N	3500N

Presión de trabajo máxima permitida: 0,8 Mpa

Alcance requerido de presión de trabajo: 0,5 ~ 0,7 Mpa (72 ~ 100 psi)

Presión de trabajo ideal; 0,63 Mpa

Material de la cinta de embalaje : PET

Aceite lubricante permitido: 51#

Consumo de aire comprimido: 0,3 l/min.

Ajuste del alcance del tiempo de fusión: 2 ~ 5 s

Dispositivo de corte pesado

El dispositivo de corte pesado se compone de un portacuchillas y una cuchilla y se utiliza para corte una correa de embalaje de 0,5 ~ 1,5 mm de espesor.

Dispositivo de corte por fricción

El dispositivo de corte por fricción se utiliza para cortar espesores de 0,5 a 0,7 mm. Cinta ligera para embalaje de PET.

Suspensión

Los ganchos adecuados se pueden suspender en diferentes posiciones

(sellado superior, sellado vertical; y sellado horizontal).

32. Instrucción de fuente de gas

Requisito de presión de aire.

El alcance requerido de presión de aire: 72-100 psi (0,5-0,7 Mpa).

Instalación de fuente de gas.

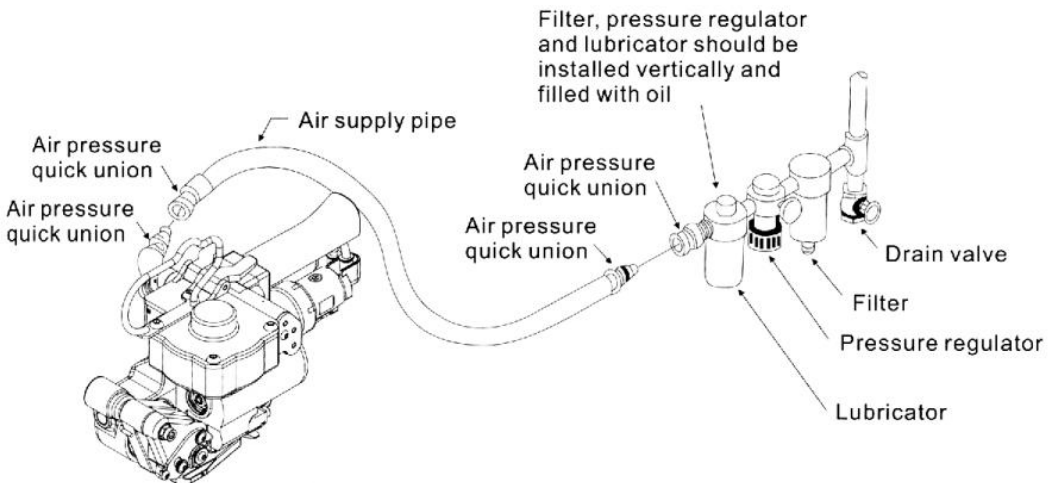
El filtro , la válvula reguladora de presión y el conjunto del lubricador deben estar cerca del Herramienta neumática. El diámetro interior mínimo de la manguera de aire es de 6,0 mm (1/4). Ambos extremos del aire. La tubería de suministro debe estar equipada con uniones rápidas.

Filtración de humedad

Se debe montar una válvula de drenaje en la parte inferior del bypass del circuito de suministro de aire para drenar una vez al día.

Lubricación

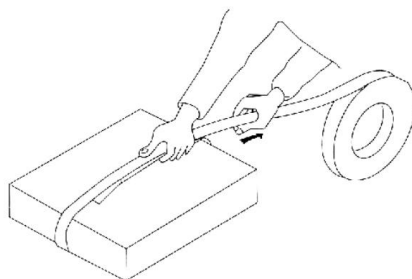
El motor neumático debe lubricarse adecuadamente y el lubricador debe estar lleno. y bien regulado (una gota cada 2min).



33. Instrucción de operación

(1) Cómo vincular

Como se muestra en la figura de la izquierda, agrupe el artículo con cinturón de embalaje, sostenga la parte traslapada con mano izquierda, deje unos 300 mm de cola, tire de la parte restante hacia afuera con la mano derecha.



(2) Coloque la cinta de embalaje

Sujete el mango y apriételo con la mano derecha (para asegurar la dimensión máxima de apertura entre

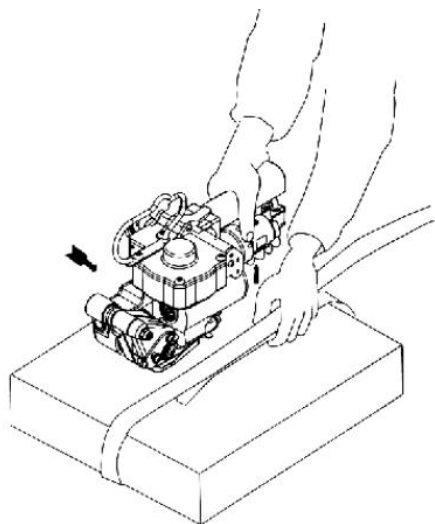
polea tensora y placa dentada de apriete), Inserte las partes superior e inferior del embalaje.

cinta en la máquina envasadora.

Nota: el traslapado

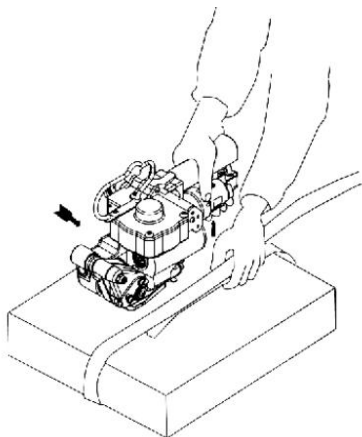
parte de la cinta de embalaje debe estar separada por la hoja del portacuchillas; suelte el tensor

(la polea tensora engancha la correa de embalaje estrechamente)



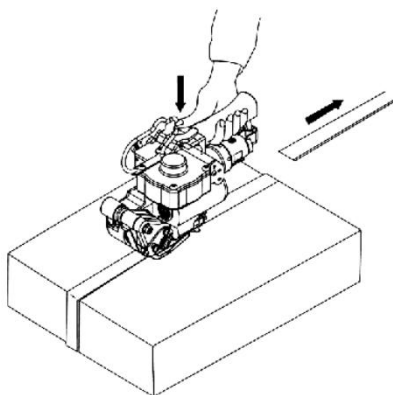
(3) Apriete la correa de embalaje.

Presione el botón de apriete (lado derecho) con el pulgar de la mano derecha hasta que el cinturón de embalaje esté apretado completamente.



(4) Vibración y corte

Presione el botón de fusión (lado izquierdo) con el pulgar de mano derecha hasta que la cinta de embalaje esté fusionada y cortar

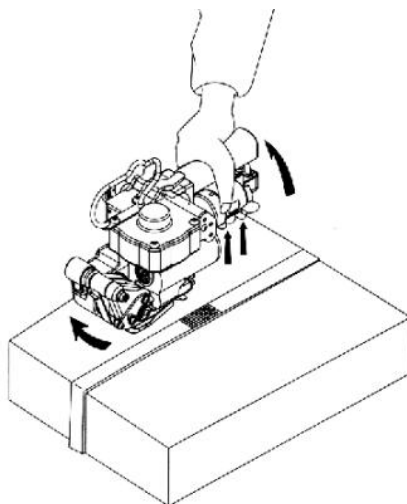


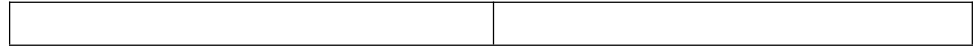
(5) Retire el embalaje. máquina

Presione firmemente el mango y el tensor con la derecha.

mano. Presione el botón de rebobinado con el pequeño dedo de la mano derecha hasta que se suelte el cinturón. la polea tensora. Presione la manija y el tensor firmemente, retire la herramienta del cinturón de embalaje.

Nota: no retire el maquina de empacado hasta que se suelte la cinta de embalaje.

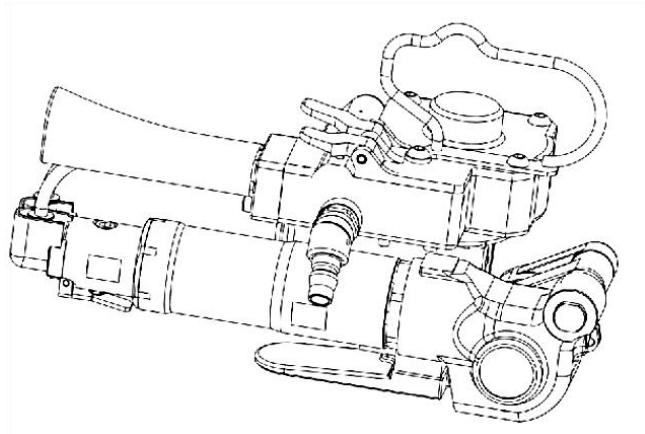




34. Ajuste de tensión

Tensión de la cinta de embalaje.

La tensión de la correa de embalaje se puede ajustar con un destornillador a través del vástago de la válvula de remolque montada debajo del botón de ajuste al lado de la manija.



Advertencia:

La correa de embalaje ligera (<0,7 mm) puede soportar 150 kg de tensión. No aplique excesiva tensión; de lo contrario, la correa de embalaje podría romperse.

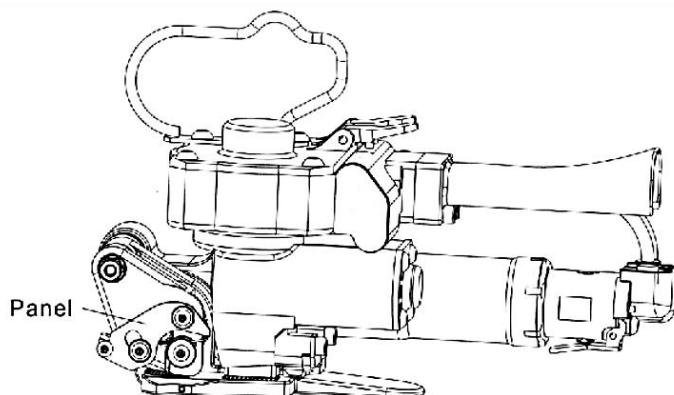
Tiempo de fusión por fricción.

El tiempo de fusión por fricción se puede ajustar según la dimensión de la cinta de embalaje, la cantidad de presión de aire y el estado de la máquina de embalaje. Por esta razón, se utiliza un destornillador pequeño para ajustar el tornillo pequeño debajo del botón de fusión (rojo). El tiempo aumentará si gira en el sentido de las agujas del reloj y disminuirá si gira en sentido antihorario: apriete la contratuerca después del ajuste. La fusión del sonido puede garantizar una suavidad y sin rebabas. articulaciones.

Ancho de la cinta de embalaje

(1) Panel

El panel se puede desmontar de la máquina envasadora quitando sus tornillos. Reemplace un panel nuevo de acuerdo con las dimensiones de la cinta de embalaje usada y el método de instalación del panel anterior.



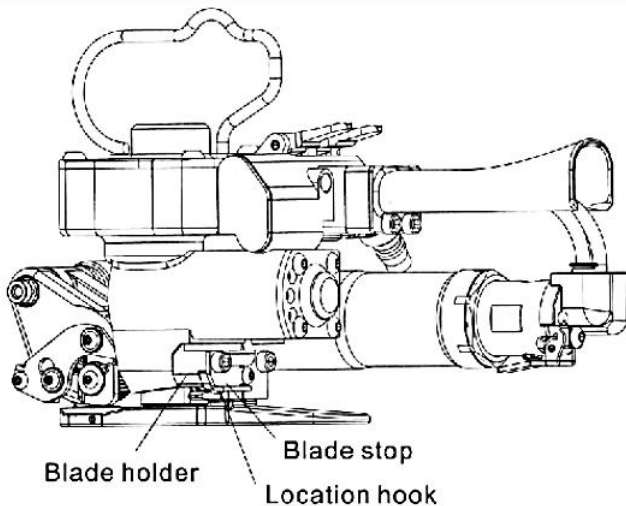
(2) Gancho de ubicación

El gancho de ubicación del portacuchillas se puede volver a montar tomando el resorte pasador del portacuchillas .

Nota: Hay un pequeño resorte de compresión dentro del gancho de ubicación. No lo pierda.

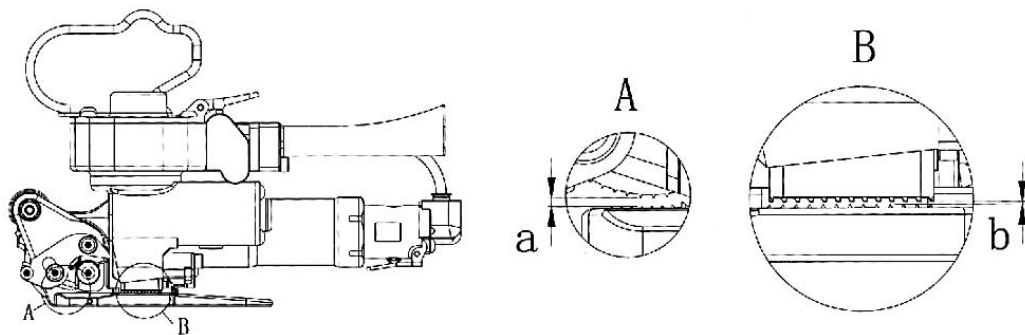
Reensamblaje

Elija un orificio de los tres orificios del portacuchillas de acuerdo con las dimensiones de la correa de embalaje. El orificio externo se utiliza para la correa de embalaje de 19 mm; el orificio mediano es para la correa de embalaje de 16 mm; y el orificio interno es para la correa de embalaje de 13 mm.



Distancia(a)entre polea de apriete y placa dentada de apriete

La distancia entre la polea tensora y la placa dentada de apriete debe ajustarse de acuerdo con las dimensiones de la correa de embalaje usada. Verifique la distancia (a) entre la polea tensora y la placa dentada de apriete con una sonda (como se muestra en la la siguiente figura).



La distancia (a) no debe ser menor que el espesor del embalaje. cinturón. Mientras Entrega, esta distancia se establece en 1,0 mm más que el espesor de la cinta de embalaje.

- (1) Si el grosor de la correa de embalaje es de 0,8 mm, coloque una junta de 0,2 mm de grosor debajo de la placa dentada de apriete;
- (2) Si dicho espesor es de 0,6 mm, coloque dos juntas de 0,2 mm de espesor debajo de la placa dentada de apriete;

(3) Si dicho espesor excede los 1,4 mm, inserte dos juntas de 0,2 mm de espesor en el centro del cuerpo y la base.

Distancia (b) entre la parte inferior de la barra vibratoria y la placa dentada de fusión

Mida la distancia entre la parte inferior de la barra vibratoria y la placa dentada de fusión (consulte la figura anterior) con una sonda. Mientras mide, siga lo siguiente pasos:

(1) Presione el botón de fusión (rojo) durante al menos 2 segundos, de modo que tanto el pistón como la barra vibratoria estén completamente hacia abajo.

(2) Mida la distancia (b) con una sonda; Si no se utiliza ninguna junta, la distancia (b) tiene que haberse configurado en 0,5 mm. Si el grosor de la cinta de embalaje es inferior a 0,6 mm, inserte un Junta de 0,2 mm en la parte inferior de la placa dentada de fusión.

Nota:

- **No reduzca la distancia (b) insertando demasiadas juntas;**
- **La máquina envasadora puede dañarse si no hay espacio libre entre la parte inferior de la barra vibratoria y la placa dentada de fusión;**
- **Si la barra vibratoria golpea la placa dentada de fusión, los dientes de la placa se dañarán inmediatamente.**

35. Fallas y resolución de problemas

Fallos comunes y solución de problemas:

(9) Operación del tensor

Fenómeno	Causas	Solución de problemas
----------	--------	-----------------------

<p>cuerpo del motor no puedo empezar .</p>	<ol style="list-style-type: none"> 1.Hay material extraño en el motor . 2.El motor está demasiado seco y necesitado. de lubricación . 3.Ajuste inadecuado para válvula de aire resulta en falta de presión de aire . 	<ol style="list-style-type: none"> 1.Entregar máquina de embalaje a fábrica Para reparar 2.Agregue varias gotas de aceite lubricante a motor de entrada de aire 3.Reajustar la válvula de aire
<p>polea de apriete presiona la parte superior cinturón de embalaje .</p>	<ol style="list-style-type: none"> 1.Distance entre la polea tensora y la placa dentada es demasiado ancha . 2.En el punto de espesor del embalaje. Correa, la fuerza de tensión es demasiado fuerte . 3.La polea tensora está bloqueada por el polvo. o residuos de la cinta de embalaje . 4.Los dientes de la polea tensora. son contundentes . 	<ol style="list-style-type: none"> 1.aumentar la junta. 2.Ajuste la tensión de la correa de embalaje. ajustando la válvula de aire con un destornillador . 3.Limpie los dientes de la polea tensora. con pistola de aire comprimido o cepillo . 4.Reemplace la recogida polea.
<p>Al empacar , maquina de empacado avanza o no poder sujetar el extremo de la cinta de embalaje .</p>	<ol style="list-style-type: none"> 1.La placa dentada de recogida está bloqueada. por residuos de cinta de embalaje . 2.Los dientes del tensor dentado. La placa está desafilada . 3.La tensión de la correa de embalaje es muy fuerte . 	<ol style="list-style-type: none"> 1. Limpiar los dientes del dentado. placa, elimine los residuos con aire pistola de cerbatana . 2.Reemplace la placa dentada de recogida. 3.Ajuste la válvula del acelerador con un pequeño destornillador .

Precauciones durante la operación de tensión

① Después de atar el artículo con la cinta de embalaje, sostenga la parte superpuesta con la mano izquierda para Saque la parte redundante.

②Asegúrese de que la parte superpuesta de la cinta de embalaje en la máquina de embalaje esté en alineación.

③Al empaquetar, si la tensión es demasiado alta, la correa de empaque se romperá. Control la tensión de la cinta de embalaje ajustando la válvula de aire.

(10) Operación de fusión

Fenómeno	Causas	Solución de problemas
Incompleto fusión o No fusión	<ol style="list-style-type: none"> 1.El tiempo de fusión es demasiado corto 2.La presión del aire no es suficiente 3.El diámetro interior del tubo de aire es demasiado pequeño 4.Los dientes de fusión dentados placa o barra vibratoria bloqueado por residuos o desgastado afuera 5.El motor de vibración está demasiado seco y en necesidad de lubricación 	<ol style="list-style-type: none"> 1.Consulte este manual para ajustar tiempo de fusión . 2.Suministre aire a la presión de aire de 72 psi o más alto . 3.Reemplace el tubo de aire por un tubo de aire. con un diámetro interno de más 6,4 mm . 4.Limpiar parte de los dientes o reemplazar vibrante barra y placa dentada de fusión . 5.Agregue aceite lubricante desde la entrada de aire.
Cinta de embalaje es excesivamente fusionado o roto apagado durante el Fusión proceso	<ol style="list-style-type: none"> 1.El espesor del embalaje el cinturón no es suficiente 2.El tiempo de fusión es demasiado largo 3.El tiempo de enfriamiento por fricción. La pieza de fusión es demasiado corta . 	<ol style="list-style-type: none"> 1. Utilice la cinta de embalaje que tiene correcto especificación 2.Reduzca el tiempo de fusión según sea necesario. Consulte este manual. 3.Mantener al menos 3 segundos después fusión

<p>Maquina de empacado no puedo moverme De embalaje cinturón después de la fusión</p>	<p>1.La polea tensora no puede al revés. La correa de embalaje no se puede aflojar . 2.La barra vibratoria no se eleva desde la cinta de embalaje .</p>	<p>1.Presione el botón de rebobinado para soltar la tensión del cinturón de embalaje 2.Sostenga el mango del encendedor para permitir que el tensor se conecte con válvula de escape y luego encienda la válvula de cierre</p>
---	---	--

Precauciones durante la fusión

①La fusión sólida puede garantizar una unión suave y sin rebabas; sin embargo, una fusión demasiado prolongada reducirá la fuerza adhesiva de la correa de embalaje de PET.

②Después fusión, mantenga 3S, de lo contrario la unión de fusión se deformará o separará.

Fabricante: Shanghaimuxinmuyeyouxiangongsi

Dirección : Shuangchenglu 803nong11hao1602A-1609shi, baoshanqu, shanghai 200000 CN.

Importado a AUS: SIHAO PTY LTD, 1 ROKEVA STREETEASTWOOD NSW 2122 Australia

Importado a EE. UU.: Sanven Technology Ltd., Suite 250, 9166 Anaheim Place, Rancho Cucamonga, CA 91730

EC	REP
-----------	------------

E-CrossStu GmbH
Mainzer Landstr.69, 60329 Frankfurt am Main.

UK	REP
-----------	------------

YH CONSULTING LIMITED.
C/O YH Consulting Limited Office 147, Centurion House,
London Road, Staines-upon-Thames, Surrey, TW18 4AX

VEVOR[®]

TOUGH TOOLS, HALF PRICE

Soporte técnico y certificado de garantía electrónica

www.vevor.com/support

VEVOR[®]

TOUGH TOOLS, HALF PRICE

Wsparcie techniczne i certyfikat e-gwarancji

www.vevor.com/support

Maszyna do spinania

MODEL: XQD19 , XQD19B , XQD25

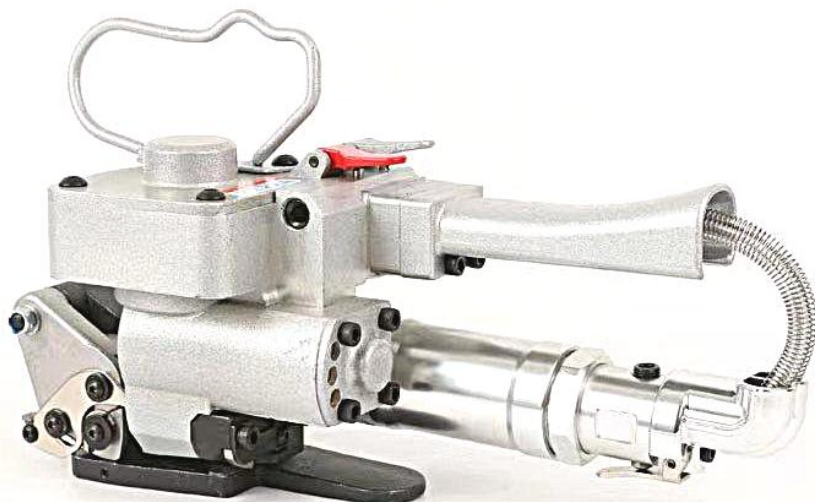
We continue to be committed to provide you tools with competitive price. "Save Half", "Half Price" or any other similar expressions used by us only represents an estimate of savings you might benefit from buying certain tools with us compared to the major top brands and does not necessarily mean to cover all categories of tools offered by us. You are kindly reminded to verify carefully when you are placing an order with us if you are actually saving half in comparison with the top major brands.

VEVOR®

TOUGH TOOLS, HALF PRICE

STRAPPING MACHINE

Modele: XQD19 , XQD19B , XQD25



NEED HELP? CONTACT US!

Have product questions? Need technical support? Please feel free to contact us:

Technical Support and E-Warranty Certificate
www.vevor.com/support

This is the original instruction, please read all manual instructions carefully before operating. VEVOR reserves a clear interpretation of our user manual. The appearance of the product shall be subject to the product you received. Please forgive us that we won't inform you again if there are any technology or software updates on our product.

INSTRUCTIONS

Dziękujemy bardzo za wybranie tej maszyny do spinania

- Przed użyciem przeczytaj całą instrukcję. Informacje te pomogą Ci osiągnąć najlepsze możliwe rezultaty.

Produkty prezentowane w tym katalogu mogą różnić się kolorem od rzeczywistego .

36. Instrukcje bezpieczeństwa

Przed użyciem tej maszyny pakującej prosimy o uważne przeczytanie instrukcji.

Ogólne zasady bezpieczeństwa

1. Należy pamiętać o zasadzie „przede wszystkim bezpieczeństwo” i prawidłowo obsługiwać to narzędzie pneumatyczne;
2. Przeczytaj uważnie instrukcję przed rozpoczęciem pracy;
3. Nie demontuj części zabezpieczających narzędzia;
4. Nie rozrywaj ani nie uszkodzaj etykiety ani znaku produktu;
5. Nie wkładaj dłoni ani innych części ciała pomiędzy pas pakujący a narzędzie pakujące.

Aplikacja

Narzędzie to jest specjalnie zaprojektowane do wiązania artykułów taśmą pakującą PET;

Odpowiednia szerokość pasa pakującego: 13,16,19 mm;

Nie używaj pasa pakującego do podnoszenia.

Prawidłowy opatrunek

Nosić okulary ochronne, naszniki, rękawice ochronne, kask, obuwie ochronne

i koszulę z długim rękawem, zapnij wszystkie guziki; uważaj na krawat, długie włosy i ubranie nie mogą być zaczepiane przez maszynę pakującą.

Źródło gazu

·Upewnić się, że rura doprowadzająca powietrze wytrzymałe ciśnienie i jest odporna na olej;

- Użyj specjalnego szybkozłącza do rury powietrznej; ciśnienie powietrza nie może przekraczać 1 16 psi/ 8 barów;
- Używaj wyłącznie czystego sprężonego powietrza, a nie źródła gazu lub źródła dynamicznego,

Wentylacja

Powietrze w pomieszczeniach może zostać łatwo zanieczyszczone olejem smarowym, dlatego należy zapewnić odpowiednią wentylację pasowac.

Wibracja

Długotrwały kontakt z nadmiernymi wibracjami jest szkodliwy dla operatorów specyfikacja działania powinna być zgodna z odpowiednimi wymaganiami normy ISO5349.

Hałas

Operatorzy powinni nosić nauszники, jeśli hałas jest wyższy niż 85Db(A). Nawet jeśli hałas jest wysoki jest niższa niż 85Db(A), zaleca się także noszenie nauszników.

Okulary ochronne

Jeśli napinający pasek opakowania nagle się zerwie, może to spowodować uszkodzenie oczu i spowodować ślepotę, dlatego operatorzy powinni nosić okulary ochronne.

Notatka:

Podczas przecinania pasa opakowaniowego należy trzymać jego górną część i stać z boku; górny pas zostanie przecięty; należy zachować ostrożność, w pobliżu nie powinny znajdować się żadne osoby. Podczas konserwacji i czyszczenia pył unoszony przez pistolet do odpylania jest szkodliwy do oczu .

Ruchoma część

Podczas pracy część ruchoma (rolka napinająca) może zaczepić rękawicę lub inną część ciała, więc gdy rolka napinająca się obraca, nie dotykaj jej.

Konserwacja

- Przeprowadzać codzienną konserwację maszyny;
- Regularnie sprawdzaj i usuwaj kurz za pomocą pistoletu

pneumatycznego;

·Dokręcić śruby haka;

·Wyłączyć źródło gazu na czas wymiany części.

Zagrożenie podczas cięcia

Ostre ostrze w uchwycie ostrza może zranić dłoń i palec, dlatego należy go nosić rękawiczki ochronne.

37. Zasada fuzji tarcia

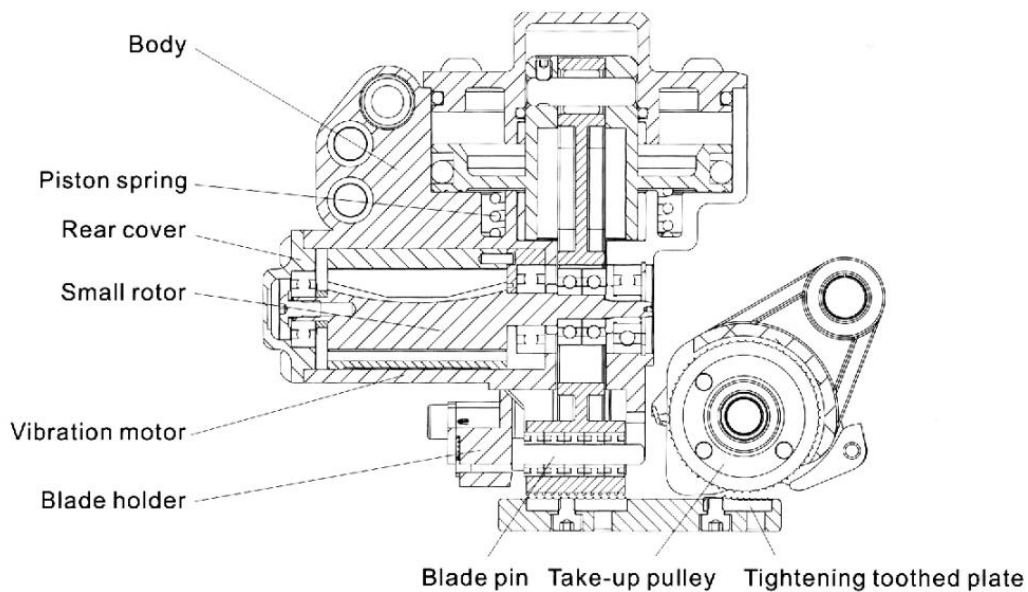
To narzędzie jest rodzajem maszyny pakującej z termoobiegami.

Docierane tworzywo termoplastyczne taśma pakująca jest stapiana pod wpływem ciepła wytwarzanego przez ruch tarcia, dlatego nazywa się ją „fuzja tarcia”

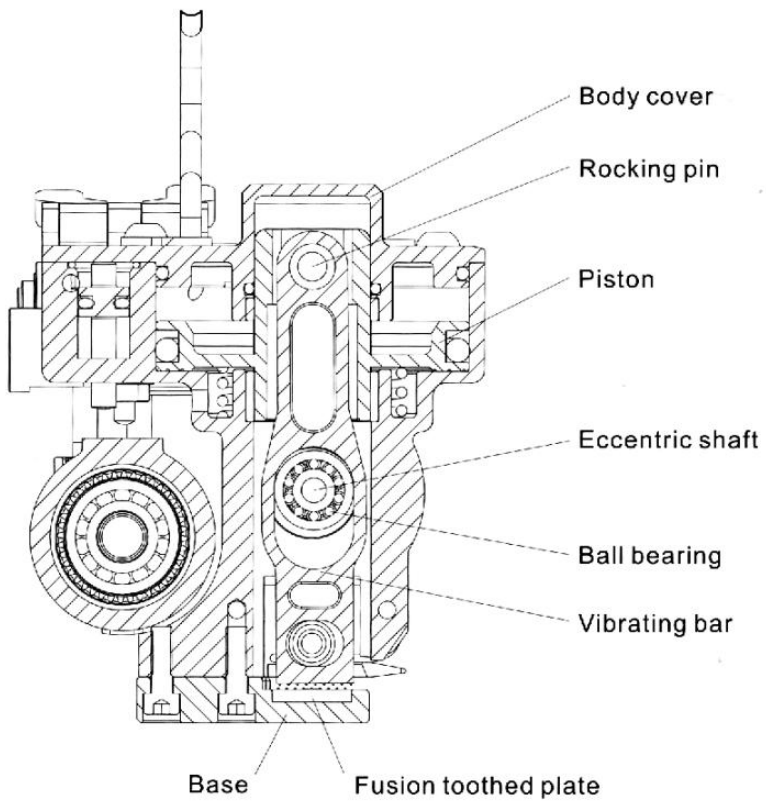
Sprężone powietrze popchnie tłok w cylindrze pneumatycznym. Górna część tłoka a drążek wibracyjny jest podłączony do kołka wahliwego, więc drążek wibracyjny będzie naciskał dotykał części pasa pakującego podczas ruchu w dół.

W środku wibrującego pręta znajduje się eliptyczny otwór, do którego jest podłączony ten otwór wał mimośrodowy silnika pneumatycznego. Silnik pneumatyczny obraca się z dużą prędkością (10000 obr./min), więc pręt wibracyjny szybko wykonuje ruch posuwisto-zwrotny. Dolna część pasa opakowaniowego jest mocowana za pomocą zębów kołkowych płyty zębatej zgrzewanej i jej górnej części jest napędzany przez zęby kołkowe wibratora w celu uzyskania dużego tarcia. Stąd docierana część taśma pakująca jest stapiana pod wpływem ciepła wytwarzanego przez tarcie. Gdy włącza się zegar wibracyjny osiąga set czas, wibracje ustają i fuzja zostaje zakończona.

Zarówno górna, jak i dolna część taśmy pakującej zacinają się podczas



wytłaczania.



38. Specyfikacja i części

Tryb	XQD19	XQD19B	XQD25
Materiał paska opakowaniowego	PET /PP	ZWIERZA K DOMOWY	ZWIERZA K DOMOWY
Szerokość taśmy pakującej (mm)	13 ~19	13 ~ 19	19 ~ 25
Grubość taśmy opakowaniowej (mm)	0,5 ~ 1. 2	0,5 ~ 1. 2	0,5 ~ 1,5
Siła naciągu taśmy wiążącej (przy wlocie powietrza ciśnienie wynosi 0,63 MPa)	3000N	3000N	3500N

Maksymalne dopuszczalne ciśnienie robocze: 0,8 MPa

Wymagany zakres ciśnienia roboczego: 0,5 ~ 0,7 MPa (72 ~ 100 psi)

Idealne ciśnienie robocze; 0,63 MPa

Materiał paska opakowaniowego : PET

Dopuszczalny olej smarowy: 51 #

Zużycie sprężonego powietrza: 0,3 l/min

Regulacja zakresu czasu zgrzewania: 2~5s

Ciężkie urządzenie tnące

Ciężkie urządzenie tnące składa się z uchwytu ostrza i ostrza i jest do tego przyzwyczajone

wyciąć pasek opakowaniowy o grubości 0,5 ~ 1,5 mm.

Urządzenie do cięcia ciernego

Urządzenie do cięcia ciernego służy do cięcia o grubości 0,5 ~ 0,7 mm lekki pas do pakowania PET.

Zawieszenie

Odpowiednie haki można zawiesić w różnych pozycjach (uszczelnienie górne, uszczelnienie pionowe; i uszczelnienie poziome).

39. Instrukcja źródła gazu

Wymóg ciśnienia powietrza

Wymagany zakres ciśnienia powietrza: 72-100 psi (0,5-0,7Mpa).

Instalacja źródła gazu

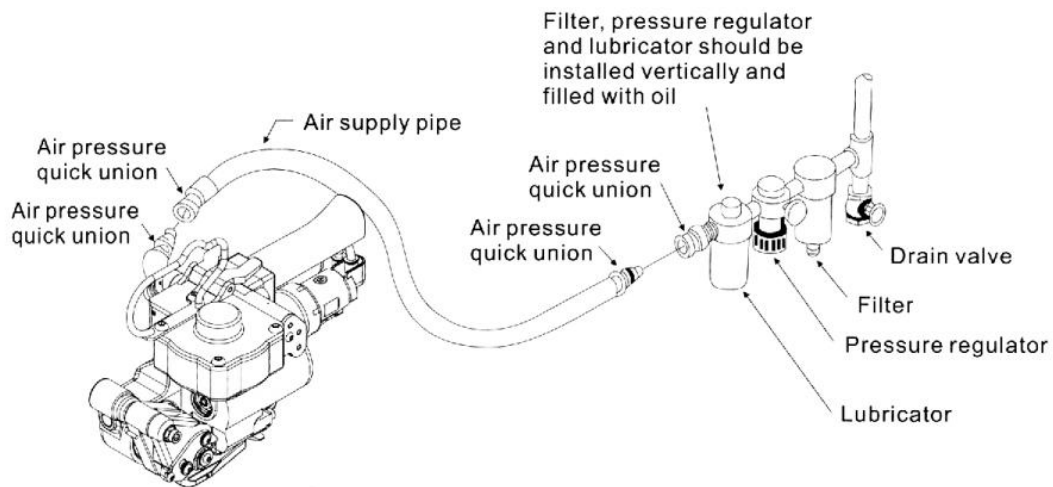
Zespół filtra , zaworu regulującego ciśnienie i smarownicy powinny znajdować się blisko narzędzie pneumatyczne. Min. średnica wewnętrzna węża powietrznego wynosi 6,0 mm (1/4). Obydwa końce powietrza rura zasilająca powinna być wyposażona w szybkozłączki.

Filtracja wilgoci

Zawór spustowy musi być zamontowany na dole obejścia obwodu zasilania powietrzem, aby umożliwić opróżnianie raz dziennie.

Smarowanie

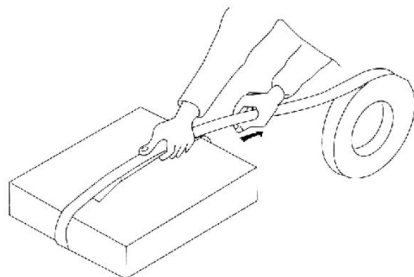
Silnik pneumatyczny powinien być odpowiednio nasmarowany, a smarownica powinna być pełna i dobrze uregulowany (kropla co 2 min).



40. Instrukcja operacji

(1) Jak wiązać

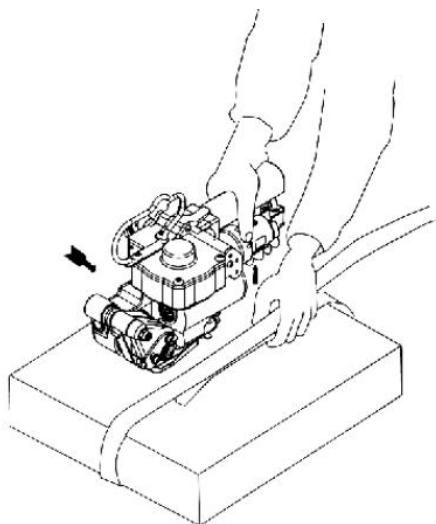
Jak pokazano na lewym rysunku, spakuj artykuł za pomocą paska do pakowania, przytrzymaj docieraną część lewą ręką, zostaw około 300mm ogona, pociągnij pozostała część prawą ręką.



(2) Załóż pas pakujący

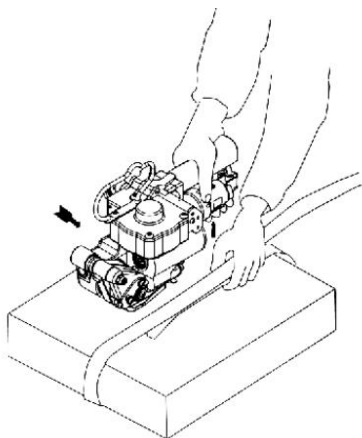
Przytrzymaj uchwyt i mocniej prawą ręką (aby zapewnić maksymalny wymiar otwarcia pomiędzy koło napinające i napinająca płytka zębata), włóż zarówno górną, jak i dolną część opakowania pas do maszyny pakującej.

Uwaga: docierane część pasa opakowaniowego musi być oddzielona ostrze uchwytu ostrza; zwolnij napinacz (krążek odbierający zaciska pas opakowaniowy ciasno)



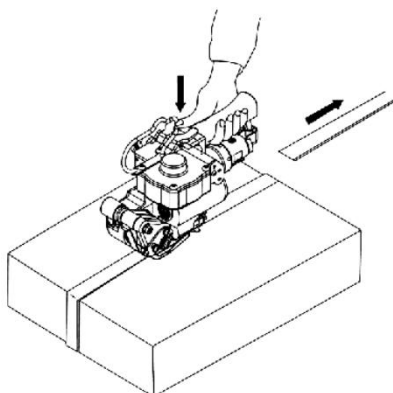
(3) Naciągnij pas pakujący

Naciśnij przycisk dokręcania (po prawej stronie) za pomocą kciuk prawej ręki, aż pasek opakowania będzie napięty w pełni.



(4) Wibracje i cięcie

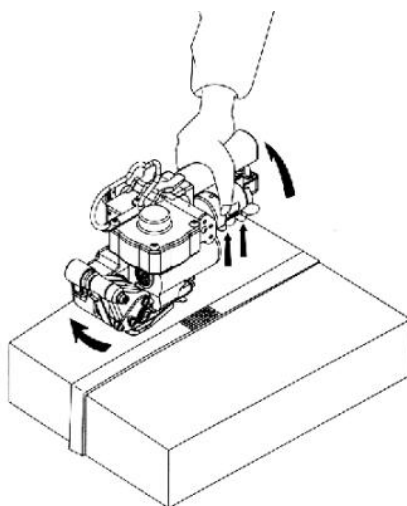
Naciśnij przycisk zgrzewania (po lewej stronie) kciukiem prawą ręką, aż taśma opakowaniowa się stopi i odciąć



(5) Zdejmij opakowanie maszyna

Naciśnij uchwyt i dokręć mocno prawą stroną ręką. Naciśnij przycisk przewijania małą palcem prawej ręki, aż do zwolnienia paska koło pasowe. Naciśnij uchwyt i napinacz mocno, wyjmij narzędzie z paska opakowaniowego.

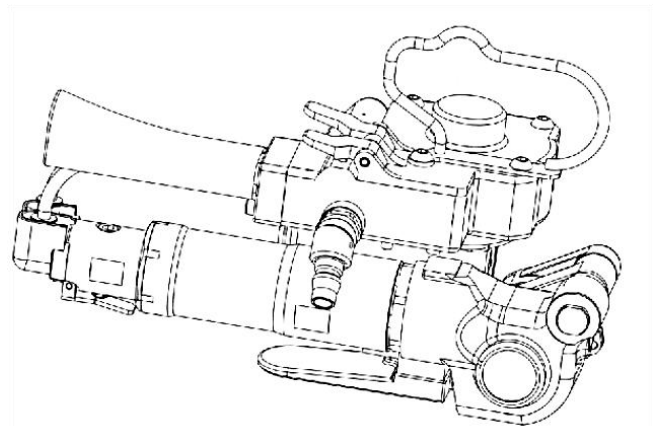
Uwaga: nie usuwaj maszyna pakująca aż do zwolnienia taśmy pakującej.



41. Regulacja napięcia

Naprężenie pasa pakującego

Naciąg paska opakowaniowego można regulować za pomocą śrubokręta poprzez trzpień zaworu przeciwwkradzieżowego zamontowany pod przyciskiem napinającym obok uchwytu.



Ostrzeżenie:

lekki pas do pakowania (<0,7 mm) może wytrzymać obciążenie 150 kg. Nie nakładać go zbyt mocno napięcie; w przeciwnym razie taśma pakująca może się zerwać.

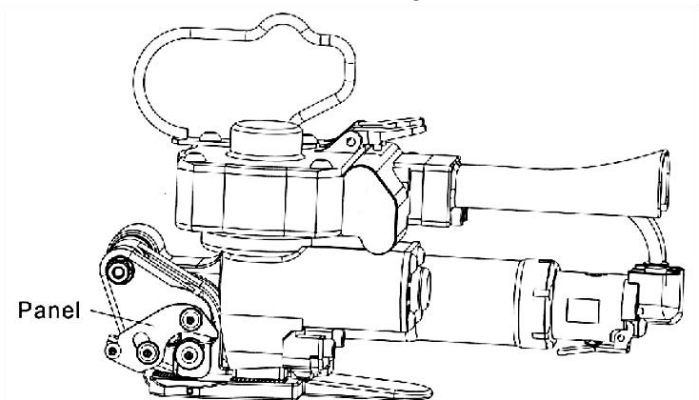
Czas stapienia się tarcia

Czas zgrzewania ciernego można regulować w zależności od wymiaru taśmy pakującej, ilości ciśnienia powietrza i stanu maszyny pakującej. Z tego powodu do regulacji małej śrubki pod przyciskiem zgrzewania (czerwony) służy mały śrubokręt. Czas wzrośnie, jeśli obracasz się w prawo i maleje, jeśli obracasz się w lewo: Po regulacji dokręć nakrętkę zabezpieczającą. Fuzja dźwięku może zapewnić gładkość i brak zadziorów stawy.

Szerokość pasa pakującego

(1) Panel

Panel można zdemontować z maszyny pakującej poprzez odkręcenie śrub. Wymień nowy panel zgodnie z wymiarami używanej taśmy pakującej i sposobem montażu poprzedniego panelu.



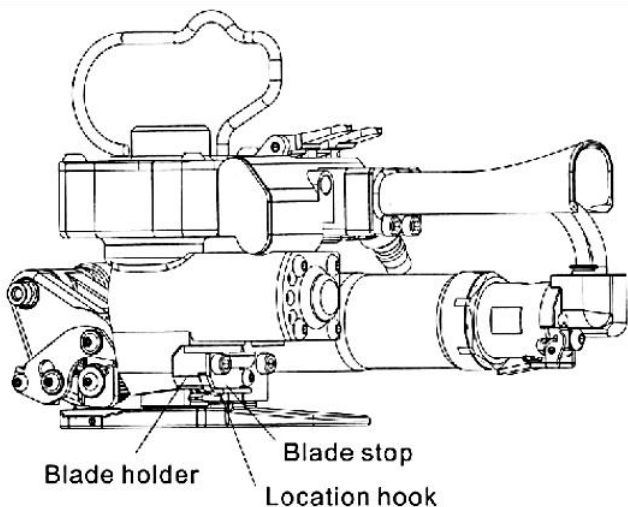
(2) Haczyk ustalający

Hak ustalający uchwytu ostrza można ponownie zamontować, zdejmując sprężynę sworzeń z uchwytu ostrza .

Notatka: W haku ustalającym znajduje się mała sprężyna dociskowa. Nie zgub jej.

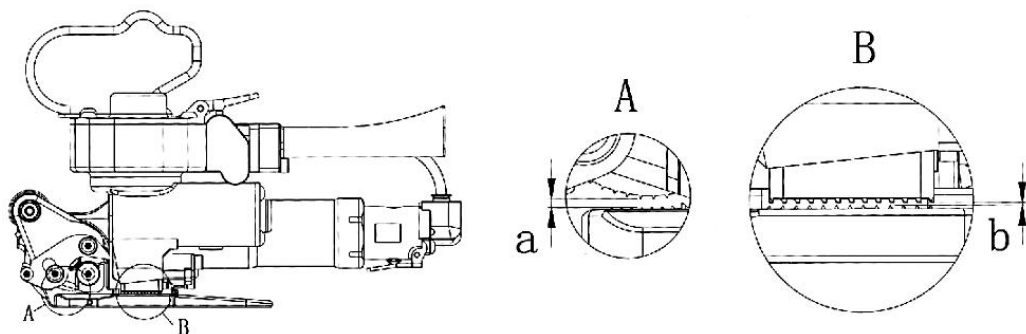
Ponowny montaż

Wybierz otwór z trzech otworów uchwytu ostrza zgodnie z wymiarem taśmy pakującej. Otwór zewnętrzny jest używany do taśmy pakującej 19 mm, średni otwór jest przeznaczony do taśmy pakującej 16 mm, a otwór wewnętrzny jest przeznaczony do taśmy pakującej 13 mm.



Odległość (a) pomiędzy kołem napinającym a napinającą płytką zębatą

Odległość rolki napinającej od tarczy zębatej napinającej należy dostosować do wymiarów używanej taśmy pakującej. Odległość (a) rolki napinającej od tarczy zębatej napinającej należy sprawdzić miernikiem (jak pokazano na Niżej wymienione).



Odległość (a) nie powinna być mniejsza niż grubość opakowania pasek. Chwila dostawy, odległość ta jest ustawiona na 1,0 mm większą niż grubość taśmy pakującej.

- (1) Jeżeli grubość taśmy opakowaniowej wynosi 0,8 mm, pod płytkę zębatą dokręcającą należy umieścić uszczelkę o grubości 0,2 mm;
- (2) Jeżeli grubość wynosi 0,6 mm, pod płytkę zębatą dokręcającą należy

umieścić dwie uszczelki o grubości 0,2 mm;

(3) Jeżeli taka grubość przekracza 1,4 mm, włóż dwie uszczelki o grubości 0,2 mm na środek korpusu i plakietki.

Odległość (b) pomiędzy spodem pręta wibracyjnego a płytką zębatą wtopioną

Zmierz odległość pomiędzy spodem drążka wibracyjnego a płytką zębatą zgrzewaną (patrz rysunek powyżej) za pomocą szczelinomierza. Podczas pomiaru postępuj zgodnie z poniższymi wskazówkami kroki:

(1) Naciśnij przycisk zgrzewania (czerwony) na co najmniej 2 sekundy, tak aby tłok i drążek wibracyjny znalazły się całkowicie w dół.

(2) Zmierz odległość (b) za pomocą czujnika ; jeśli nie jest używana uszczelka, odległość (b) musi być zachowana została ustawiona na 0,5 mm. Jeżeli grubość taśmy opakowaniowej jest mniejsza niż 0,6 mm, włóż a Uszczelka 0,2 mm na spodzie płytki zębatej zgrzewanej.

Notatka:

- Nie zmniejszaj odległości (b) poprzez włożenie zbyt wielu uszczelek;
- Maszyna pakująca może zostać uszkodzona w przypadku braku luzu pomiędzy spodem listwy wibracyjnej a płytką zębatą zgrzewaną;
- Jeżeli drążek wibracyjny uderzy w płytkę zębatą zgrzewaną, zęby tej płytki ulegną natychmiastowemu uszkodzeniu.

42. Awarie i rozwiązywanie problemów

Typowe awarie i rozwiązywanie problemów:

(11) Działanie napinacza

Zjawisko	Powoduje	Rozwiązywanie problemów
----------	----------	-------------------------

<p>Korpus silnika nie mogą zacząć .</p>	<ol style="list-style-type: none"> 1. W urządzeniu znajduje się obcy materiał silnik . 2.Silnik jest zbyt suchy i wymaga naprawy z smarowanie . 3. Niewłaściwa regulacja do zaworu powietrza skutkuje brakiem ciśnienia powietrza . 	<ol style="list-style-type: none"> 1.Dostarcz maszyna pakująca do fabryki do naprawy 2.Dodaj kilka kropli oleju smarowego silnik od wlotu powietrza 3.Wyreguluj ponownie zawór powietrza
<p>Rolka dociągająca naciska górną część pas do pakowania .</p>	<ol style="list-style-type: none"> 1.Odległość pomiędzy kołem podającym i płytką zębata jest za szeroka . 2.W punkcie grubości opakowania pasek, siła naciągu jest zbyt duża . 3.Koło pasowe jest zablokowane przez kurz lub pozostałości z taśmy pakującej . 4.Zęby koła napinającego są tępe . 	<ol style="list-style-type: none"> 1.zwiększ uszczelkę. 2.Wyreguluj napięcie pasa pakującego regulując zawór powietrza za pomocą śrubokręta . 3. Oczyść zęby koła napinającego za pomocą pistoletu pneumatycznego lub pędzla . 4.Wymień naciąg krążek linowy.
<p>Pakując się , maszyna pakująca porusza się do przodu lub żargon zacisnąć koniec pasa pakującego .</p>	<ol style="list-style-type: none"> 1. Płytką zębata odbierająca jest zablokowana przez pozostałości taśmy opakowaniowej . 2. Zęby na zabieraku zębata talerz są tępe . 3.Naprężenie pasa pakującego wynosi zbyt silne . 	<ol style="list-style-type: none"> 1. Oczyść zęby zabieraka płytkę, pozostałości przedmuchać powietrzem pistolet do dmuchania . 2.Wymień płytkę zębata odbierającą. 3.Wyreguluj przepustnicę za pomocą małej Śrubokręt .

Przestrogi podczas operacji napinania

- ① Po związaniu artykułu pasem pakującym, przytrzymaj lewą ręką zachodzącą część wyciągnij zbędną część.
- ② Upewnij się, że zachodząca część pasa pakującego w maszynie pakującej jest założona wyrównanie.
- ③ Podczas pakowania, jeśli napięcie jest zbyt wysokie, pasek pakujący pęknie. Kontrola napięcia taśmy pakującej poprzez regulację zaworu powietrza.

(12) Operacja fuzji

Zjawisko	Powoduje	Rozwiązywanie problemów
Niekompletny fuzja lub NIE połączenie	<ol style="list-style-type: none">1. Czas zgrzewania jest za krótki2. Ciśnienie powietrza nie jest wystarczająco3. Średnica rury powietrznej jest za mała4. Zęby stopione płyta lub pręt wibracyjny zablokowane przez pozostałości lub zużyte na zewnątrz5. Silnik wibracyjny jest zbyt suchy i wymagające smarowania	<ol style="list-style-type: none">1. Informacje na temat regulacji można znaleźć w niniejszej instrukcji czas fuzji .2. Dopływ powietrza o ciśnieniu 72 psi lub wyżej .3. Załóż rurę powietrzną na rurę powietrzną o średnicy wewnętrznej ponad 6,4 mm .4. Wyczyść część zębów lub zastąpić wibracją listwa i płyta zębata zgrzewana .5. Dolać oleju smarowego z wlotu powietrza
Pasek do pakowania jest nadmiernie stopiony lub złamany wyłączony w trakcie	<ol style="list-style-type: none">1. Grubość opakowania to nie wystarczy2. Czas zgrzewania jest zbyt długi3. Czas chłodzenia przy tarcu część fuzyjna jest za krótka .	<ol style="list-style-type: none">1. Użyj pasa pakującego, który posiada prawidłowy specyfikacja2. W razie potrzeby skróć czas zgrzewania. Zapoznaj się z niniejszą instrukcją3. Zachowaj co najmniej 3

Połączenie proces		sekundy później połączenie
Maszyna pakująca nie mogę się ruszyć Z opakowanie pasek po zgrzaniu	1. Koło podnoszące nie może do tyłu. Pasek pakujący nie może się poluzować . 2. Drażek wibracyjny nie podnosi się z paska pakującego .	1. Naciśnij przycisk przewijania do tyłu, aby go zwolnić napięcie opakowania wynosi 1t 2. Przytrzymaj uchwyt zapalniczki umożliwić połączenie z napinaczem zawór wydechowy, a następnie włącz zawór odcinający

Ostrzeżenia podczas zgrzewania

- ① Fuzja dźwiękowa może zapewnić gładkie i wolne od zadziorów połączenie, jednak zbyt długie stopienie zmniejszy siłę przyczepności taśmy pakującej PET.
- ② Po fuzji, zachowaj 3S, w przeciwnym razie złącze fuzyjne zostanie zdeformowane lub rozdzielone.

Producent: Shanghaimuxinmuyeyouxiangongsi

Adres : Shuangchenglu 803nong11hao1602A-1609shi, baoshanqu, szanghaj 200000 CN.

Import do AUS: SIHAO PTY LTD, 1 ROKEVA STREETEASTWOOD NSW 2122 Australia

Import do USA: Sanven Technology Ltd., Suite 250, 9166 Anaheim Place, Rancho Cucamonga, CA 91730

EC	REP
-----------	------------

E-CrossStu GmbH
Mainzer Landstr.69, 60329 Frankfurt am Main.

UK	REP
-----------	------------

YH CONSULTING LIMITED.
C/O YH Consulting Limited Office 147, Centurion House,
London Road, Staines-upon-Thames, Surrey, TW18 4AX

VEVOR[®]

TOUGH TOOLS, HALF PRICE

Wsparcie techniczne i certyfikat e-gwarancji

www.vevor.com/support

VEVOR[®]

TOUGH TOOLS, HALF PRICE

Technische ondersteuning en e-garantiecertificaat

www.vevor.com/support

Omsnoeringsmachine

MODEL: XQD19 , XQD19B , XQD25

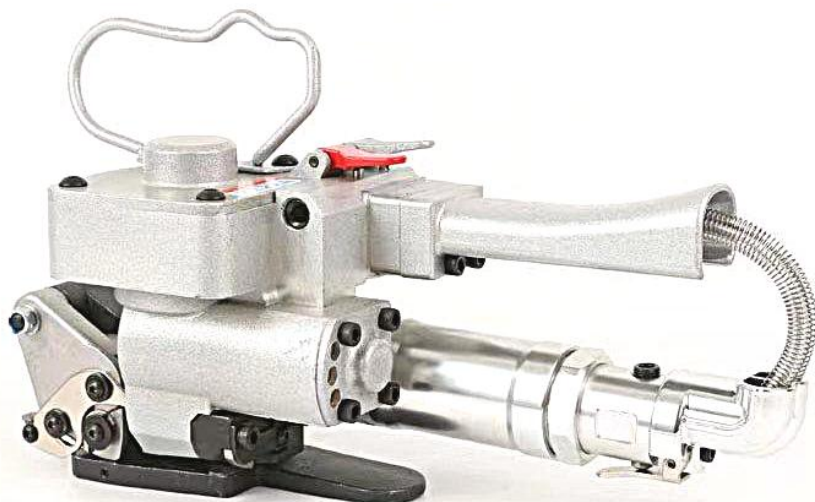
We continue to be committed to provide you tools with competitive price. "Save Half", "Half Price" or any other similar expressions used by us only represents an estimate of savings you might benefit from buying certain tools with us compared to the major top brands and does not necessarily mean to cover all categories of tools offered by us. You are kindly reminded to verify carefully when you are placing an order with us if you are actually saving half in comparison with the top major brands.

VEVOR®

TOUGH TOOLS, HALF PRICE

STRAPPING MACHINE

Modellen: XQD19 , XQD19B , XQD25



NEED HELP? CONTACT US!

Have product questions? Need technical support? Please feel free to contact us:

Technical Support and E-Warranty Certificate
www.vevor.com/support

This is the original instruction, please read all manual instructions carefully before operating. VEVOR reserves a clear interpretation of our user manual. The appearance of the product shall be subject to the product you received. Please forgive us that we won't inform you again if there are any technology or software updates on our product.

INSTRUCTIONS

Hartelijk dank dat u voor deze omsnoeringsmachine hebt gekozen
- Lees alle instructies voordat u het gebruikt. De informatie zal u helpen de best mogelijke resultaten te bereiken.
De producten in deze catalogus kunnen qua kleur afwijken van het daadwerkelijke artikel .

43. Veiligheidsinstructies

Lees de handleiding zorgvuldig door voordat u deze verpakkingsmachine gebruikt.

Algemene veiligheidsregels

1. Houd rekening met het “veiligheidsbeginsel” en bedien dit pneumatische gereedschap op de juiste manier;
2. Lees de handleiding zorgvuldig door voordat u aan de slag gaat;
3. Demonteer de veiligheidsonderdelen van het gereedschap niet;
4. Scheur of beschadig het etiket of merkteken van het product niet;
5. Plaats uw hand of andere lichaamsdelen niet tussen de verpakkingsband en het verpakkingshulpmiddel.

Sollicitatie

Dit hulpmiddel is speciaal ontworpen voor het binden van artikelen met PET-verpakkingsband;

Toepasbare breedte van de verpakkingsband: 13,16,19 mm;

Gebruik de verpakkingsband niet om te hijsen.

Correcte aankleding

Draag een veiligheidsbril, oorbeschermers, beschermende handschoenen, helm, beschermend schoeisel

en shirt met lange mouwen, maak alle knopen vast; pas op, je stropdas, lang haar en kleding mogen niet door de verpakkingsmachine worden gehaakt.

Gasbron

·Zorg ervoor dat de luchttoevoerleiding druk kan verdragen en bestand is

tegen olie;

·Gebruik de speciale snelkoppeling voor de luchtleiding; de luchtdruk mag niet hoger zijn dan 1,16 psi / 8 bar;

·Gebruik uitsluitend schone perslucht, in plaats van een gasbron of dynamische bron.

Ventilatie

De binnenlucht kan gemakkelijk vervuild raken door smeerolie; daarom moet er ventilatie zijn wees correct.

Trillingen

Het is schadelijk voor operators als ze langdurig in contact komen met overmatige trillingen de werkingsspecificatie moet voldoen aan de relevante vereisten van ISO5349.

Lawaai

Operators moeten oorkappen dragen als het geluid hoger is dan 85Db(A). Zelfs als het geluid lager is dan 85Db(A), wordt ook aanbevolen om oorbeschermers te dragen.

Veiligheidsbril

Als de gespannen verpakingsband plotseling breekt, kan dit pijn doen aan de ogen en leiden tot letsel blindheid, dus operators moeten een veiligheidsbril dragen.

Opmerking:

Terwijl u de verpakingsband doorsnijdt, houdt u het bovenste gedeelte vast en gaat u opzij staan; de bovenste riem wordt afgesneden; wees voorzichtig, er mogen geen mensen in de omgeving zijn. Tijdens onderhoud en reiniging is het stof dat door het luchtstofpistool wordt meegebracht schadelijk aan ogen .

Bewegend deel

Tijdens het gebruik kan het bewegende deel (spankatrol) de handschoen of een ander deel van uw lichaam vastklikken. Raak de spanpoelie dus niet aan als deze draait.

Onderhoud

- Uitvoeren van dagelijks onderhoud aan de machine;
- Controleer regelmatig en verwijder stof met een luchtspuitpistool;
- Draai de schroeven van de haak vast;
- Schakel de gasbron uit terwijl u onderdelen vervangt.

Gevaar tijdens het snijden

Het scherpe mes op de meshouder kan uw hand en vinger bezeren, dus draag het alstublieft veiligheidshandschoenen.

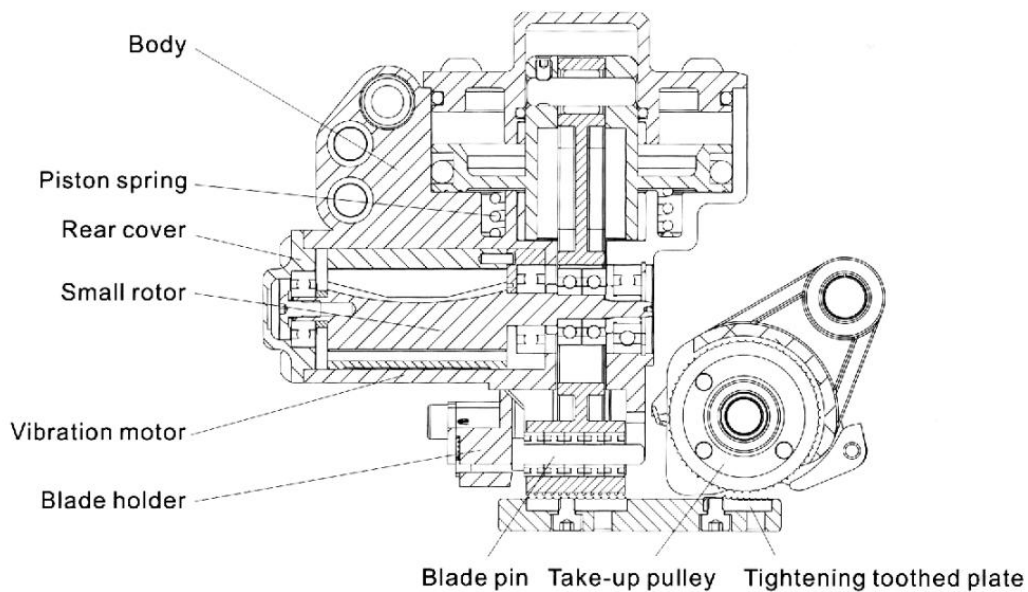
44. Principe van wrijvingsfusie

Dit gereedschap is een soort wrijvingsfusieverpakkingsmachine. Het gelakte thermoplastische materiaal verpakkingsband wordt gesmolten door de warmte die wordt geproduceerd door wrijvingsbeweging; vandaar dat het wordt genoemd “wrijvingsfusie”

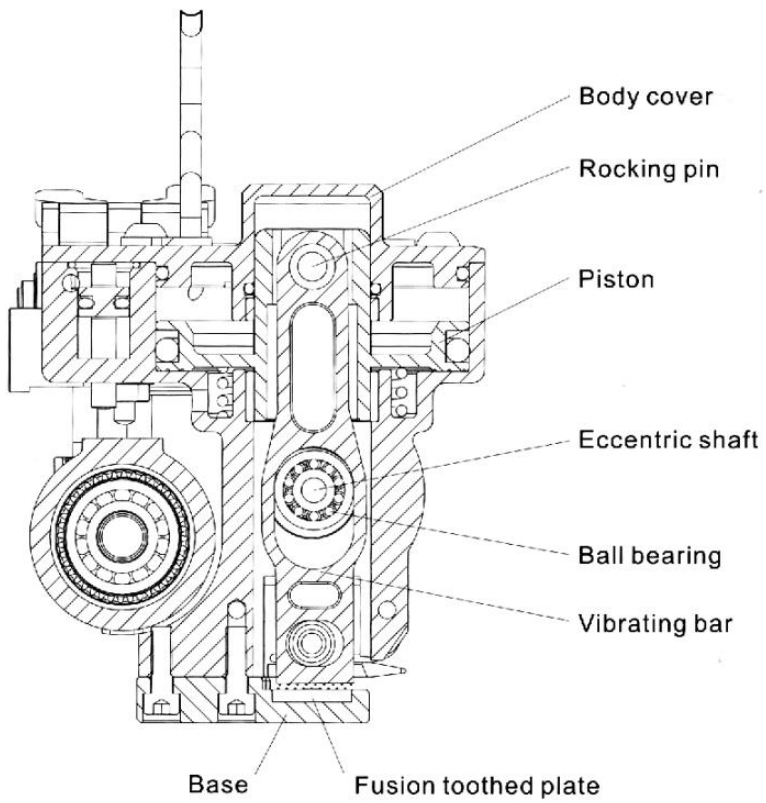
De samengeperste lucht duwt de zuiger in de luchtcilinder. Het bovenste deel van de zuiger en de trilstaaf is verbonden met de schommelpin, zodat de trilstaaf op de knop drukt het gelepte deel van de verpakkingsband bij het naar beneden bewegen.

Er is een elliptisch gat in het midden van de trilstaaf, waarmee dit gat is verbonden de excentrische as van de pneumatische motor. De pneumatische motor draait met hoge snelheid (10.000 tpm), zodat de trilstaaf snel een heen en weer gaande beweging uitvoert. Het onderste deel van de verpakkingsriem wordt bevestigd door de pentanden van de fusie-getande plaat en het bovenste gedeelte ervan wordt aangedreven door de pentanden van de vibrator voor zware wrijving. Vandaar het gelepte deel van verpakkingsband wordt gesmolten door de hitte die wordt geproduceerd door wrijving. Wanneer de vibratietimer bereikt de set tijd stopt de trilling en is de fusie voltooid.

Zowel het bovenste als het onderste deel van de verpakingsband loopt



vast tijdens het extruderen.



45. Specificatie en onderdelen

Modus	XQD19	XQD19B	XQD25
Materiaal verpakingsband	PET /PP	HUISDIER	HUISDIER
Breedte verpakingsband (mm)	13 ~19	13~19	19 ~ 25
Dikte verpakingsband (mm)	0,5~1.2	0,5~1.2	0,5~1,5
Spankracht van bindband (bij invoer van lucht druk bedraagt 0,63 MPa)	3000N	3000N	3500N

Maximaal toegestane werkdruk: 0,8 MPa

Vereiste omvang van de werkdruk: 0,5 ~ 0,7 MPa (72 ~ 100 psi)

Ideale werkdruk; 0,63 MPa

Materiaal verpakingsband : PET

Toegestane smeerolie: 51#

Verbruik van perslucht: 0,3 l/min

Aanpassing van de reikwijdte van de fusietijd: 2 ~ 5s

Zwaar snijapparaat

De zware snijrichting bestaat uit meshouder en mes en is gewend snijd een verpakingsband van 0,5 ~ 1,5 mm dik.

Frictie snij-apparaat

Het wrijvingsnijapparaat wordt gebruikt om 0,5 ~ 0,7 mm dik te snijden lichte PET-verpakingsband.

Oponthoud

De juiste haken kunnen op verschillende posities worden opgehangen (bovenafdichting, verticale afdichting; en horizontale afdichting).

46. Gasbroninstructie

Vereiste van luchtdruk

De vereiste omvang van de luchtdruk: 72-100 psi (0,5-0,7 MPa).

Installatie van gasbron

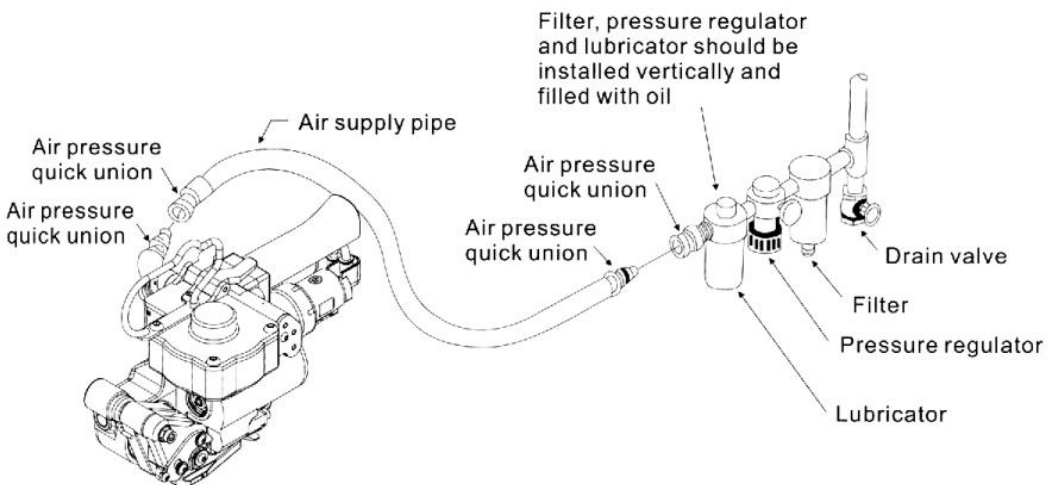
Het filter , de drukregelklep en het smeerapparaat moeten zich dicht bij de pneumatisch gereedschap. De minimale binnendiameter van de luchtslang is 6,0 mm (1/4). Beide uiteinden van de lucht De toevoerleiding moet zijn uitgerust met snelkoppelingen.

Vochtfiltratie

Er moet een aftapkraan worden gemonteerd aan de onderkant van de bypass van het luchttoevoercircuit, zodat deze eenmaal per dag kan worden afgetapt.

Smering

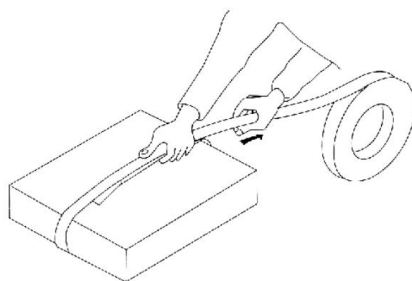
De pneumatische motor moet goed worden gesmeerd en het smeerapparaat moet vol zijn en goed gereguleerd (elke 2 minuten een druppel).



47. Bedieningsinstructie

(1) Hoe te binden

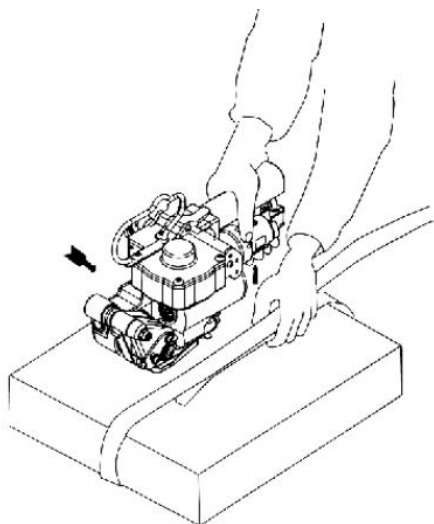
Bundel het artikel, zoals weergegeven in de linker afbeelding met verpakkingsriem, houd het gelepte deel vast linkerhand, laat ongeveer 300 mm staart achter, trek aan de het resterende deel met de rechterhand uittrekken.



(2) Plaats de verpakkingsband

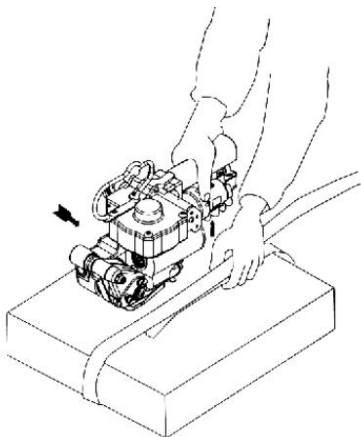
Houd het handvat vast en steviger met de rechterhand (om ervoor te zorgen dat de maximale openingsmaat tussen spanrol en spantandplaat), plaats zowel het bovenste als het onderste deel van de verpakking band in de verpakkingsmachine.

Let op: de gelepte een deel van de verpakkingsband moet worden gescheiden door het mes van de meshouder; laat de spanner los (de opwikkelpoelie klemt de verpakkingsband vast strak)



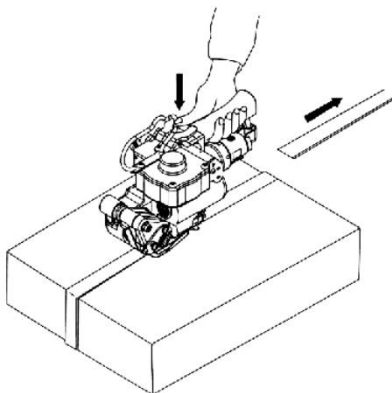
(3) Span de verpakingsriem aan

Druk op de spanknop (rechterkant) met de duim van de rechterhand tot de verpakingsband strak staat geheel.



(4) Trillingen en snijden

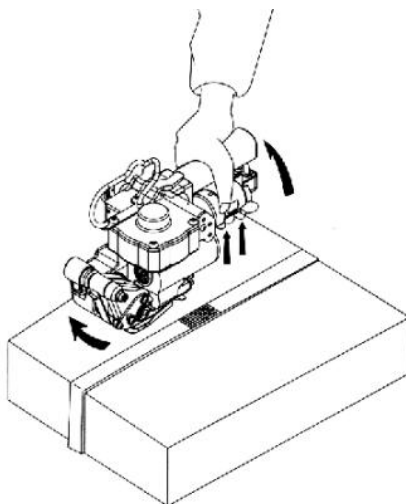
Druk met de duim op de fusieknop (linkerkant). rechterhand totdat de verpakingsband is gesmolten en afsnijden



(5) Haal de verpakking eruit machine

Druk de hendel en de spanner stevig in met de rechterhand hand. Druk met de kleine op de terugspoelknop vinger van de rechterhand totdat de riem loskomt de opwickelpoelie. Druk op de hendel en de spanner stevig vast, verwijder het gereedschap van de verpakingsband.

Let op: verwijder de verpakingsmachine totdat de

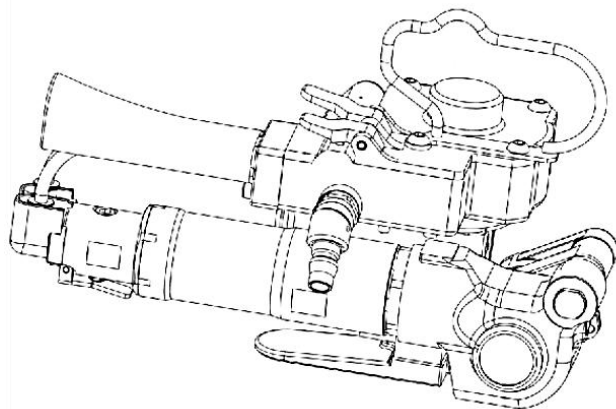


verpakkingsband wordt vrijgegeven.	
---	--

48. Spanningsaanpassing

Spanning van de verpakkingsband

De spanning van de verpakkingsband kan worden aangepast met een schroevendraaier via de steel van de flowklep die onder de spanknop naast het handvat is gemonteerd.



Waarschuwing:

lichte verpakkingsband (<0,7 mm) kan een spanning van 150 kg dragen. Niet overmatig aanbrengen spanning; anders kan de verpakkingsband breken.

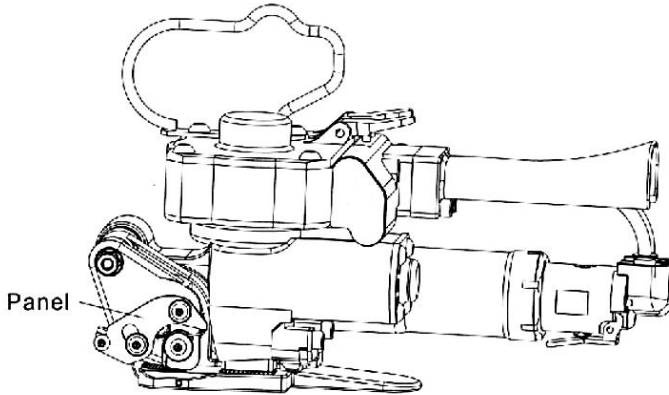
Tijd van wrijvingsfusie

De tijd van wrijvingsfusie kan worden aangepast aan de hand van de afmeting van de verpakkingsband, de hoeveelheid luchtdruk en de staat van de verpakkingsmachine. Om deze reden wordt een kleine schroevendraaier gebruikt om de kleine schroef onder de fusieknop (rood) aan te passen. De tijd zal toenemen als u met de klok mee draait en afnemen als u tegen de klok in draait: Draai de borgmoer na het afstellen vast. Een goede fusie kan zorgen voor een soepele en braamvrije gewrichten.

Breedte verpakkingsband

(1) Paneel

Het paneel kan worden gedemonteerd van de verpakkingsmachine door de schroeven te verwijderen. Vervang een nieuw paneel volgens de afmetingen van de gebruikte verpakkingsband en de installatiemethode van het vorige paneel.



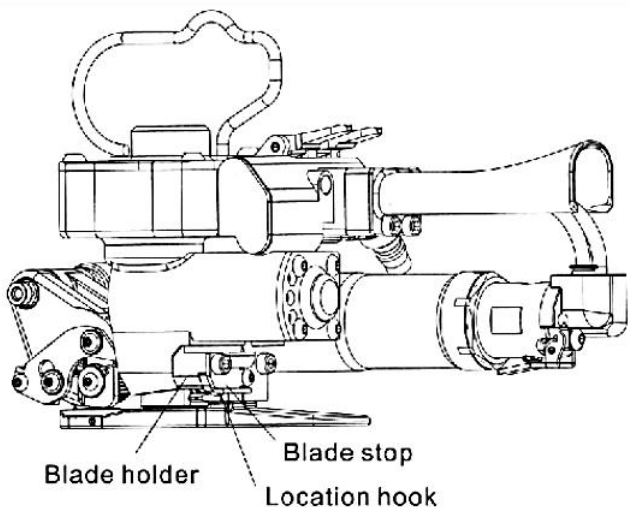
(2) Locatiehaak

De locatiehaak van de meshouder kan weer in elkaar worden gezet door de veer te pakken pen uit de meshouder .

Opmerking: Er zit een kleine drukveer in de locatiehaak. Verlies deze niet.

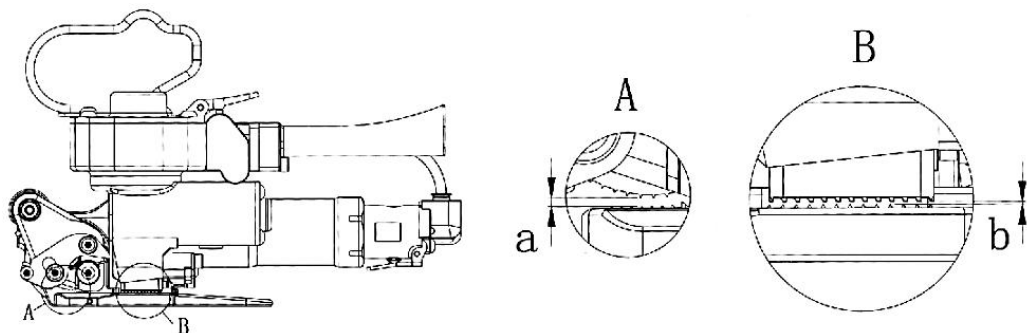
Hermontage

Kies een gat uit de drie gaten van de meshouder op basis van de afmeting van de verpakkingsband. Het externe gat wordt gebruikt voor een verpakkingsband van 19 mm; het middelste gat is voor een verpakkingsband van 16 mm; en het interne gat is voor een verpakkingsband van 13 mm.



Afstand(a)tussen spanpoelie en spantandplaat

De afstand tussen spanrol en spantandplaat moet worden aangepast aan de afmetingen van de gebruikte verpakingsband. Controleer de afstand (a) tussen spanrol en spantandplaat met een voeler (zoals aangegeven in de afbeelding). Figuur hieronder).



De afstand (a) mag niet kleiner zijn dan de dikte van de verpakking riem. Terwijl Bij levering is deze afstand ingesteld op 1,0 mm meer dan de dikte van de verpakingsband.

- (1) Als de dikte van de verpakingsband 0,8 mm bedraagt, plaats dan een pakking van 0,2 mm dik onder de getande plaat;
- (2) Als deze dikte 0,6 mm bedraagt, plaats dan twee pakkingen van 0,2 mm dik onder de vastgezette tandplaat;

(3) Als de dikte groter is dan 1,4 mm, plaats dan twee pakkingen van 0,2 mm dik in het midden van de behuizing en sluit deze af.

Afstand (b) tussen de onderkant van de trilstaaf en de versmeltandplaat

Meet de afstand tussen de onderkant van de trilstaaf en de getande plaat (zie bovenstaande afbeelding) met een voeler. Volg tijdens het meten het volgende stappen:

(1) Houd de fusieknop (rood) minimaal 2 seconden ingedrukt, zodat zowel de zuiger als de trilstaaf volledig naar beneden zijn gericht.

(2) Meet de afstand (b) met een voeler ; als er geen pakking wordt gebruikt, is de afstand (b). ingesteld op 0,5 mm. Als de dikte van de verpakkingband minder dan 0,6 mm bedraagt, plaats dan een Pakking van 0,2 mm aan de onderkant van de getande plaat.

Opmerking:

- Verklein de afstand (b) niet door te veel pakkingen te plaatsen;
- De verpakkingmachine kan beschadigd raken als er geen speling is tussen de onderkant van de trilstaaf en de smelttandplaat;
- Als de trilstaaf de fusietandplaat raakt, worden de tanden van de plaat onmiddellijk beschadigd.

49. Storingen en probleemoplossing

Veelvoorkomende fouten en probleemoplossing:

(13) Bediening van de spanner

Fenomeen	Oorzaken	Probleemoplossen
Motorlichaam kan niet starten .	1. Er zit vreemd materiaal in de motor . 2.De motor is te droog en heeft deze nodig van smering . 3. Onjuiste afstelling voor luchtventiel	1. Bezorgen verpakkingmachine naar fabriek voor reparatie 2. Voeg enkele druppels smeerolie toe motor van luchtinlaat

	resulteert in een gebrek aan luchtdruk .	3.Stel de luchtklep opnieuw af
Aanspannen van katrol drukt op het bovenste verpakking riem .	<ol style="list-style-type: none"> 1. Afstand tussen opwickelpoelie en getande plaat is te breed . 2.In punt van de dikte van de verpakking riem, spankracht is te sterk . 3. De opwickelpoelie is geblokkeerd door stof of resten van de verpakkingband . 4.De tanden van de opnamekatrol zijn bot . 	<ol style="list-style-type: none"> 1.Vergroot de pakking. 2. Pas de spanning van de verpakkingband aan door de luchtklep aan te passen met een schroevendraaier . 3.Reinig de tanden van de opneempoelie met luchtblaaspistool of borstel . 4. Vervang de take-up katrol.
Bij het inpakken , verpakkingmachine gaat vooruit of kan niet klem het uiteinde vast van verpakkingband .	<ol style="list-style-type: none"> 1.Tandplaat voor opname is geblokkeerd door resten van de verpakkingband . 2. De tanden op de opname zijn getand plaat is bot . 3.De spanning van de verpakkingstriem is te sterk . 	<ol style="list-style-type: none"> 1.Reinig de tanden van de getande opname plaat, blaas het residu weg met lucht blaas pistool . 2.Vervang de tandplaat van de opname. 3. Pas de gasklep aan met een kleine schroevendraaier .

Voorzorgsmaatregelen tijdens het spannen

① Nadat het artikel met de verpakkingstriem is vastgebonden, houdt u het overlappende deel met de linkerhand vast verwijder het overtollige deel.

②Zorg ervoor dat het overlappende deel van de verpakkingband in de verpakkingmachine zich bevindt uitlijning.

③Bij het verpakken zal de verpakkingband breken als de spanning te hoog is. Controle de spanning van de verpakkingstriem door de luchtklep aan te passen.

(14) Fusie operatie

Fenomeen	Oorzaken	Probleemoplossen
Incompleet fusie of Nee fusie	<ol style="list-style-type: none"> 1.Fusietijd is te kort 2. Luchtdruk is dat niet genoeg 3.ID van de luchtleiding is te klein 4.De tanden van fusie getand plaat of trilstaaf is geblokkeerd door resten of versleten uit 5. Trillingsmotor is te droog en smering nodig 	<ol style="list-style-type: none"> 1. Raadpleeg deze handleiding voor aanpassingen fusie tijd . 2.Voeg lucht toe met een luchtdruk van 72psi of hoger . 3. Vervang de luchtleiding door een luchtleiding met een binnendiameter van meer dan 6,4 mm . 4.Reinig tanden deel of vervangen trillen staaf en fusietandplaat . 5. Voeg smeerolie toe uit de luchtinlaat
Verpakkingstriem is overdreven gefuseerd of gebroken uit tijdens de Fusie proces	<ol style="list-style-type: none"> 1.De dikte van de verpakking riem is niet genoeg 2.Fusietijd is te lang 3. De koeltijd voor wrijving fusiedeel is te kort . 	<ol style="list-style-type: none"> 1. Gebruik de meegeleverde verpakkingband juist specificatie 2. Verkort de smeltijd indien nodig. Raadpleeg deze handleiding 3. Behouden minimaal 3 seconden erna fusie



<p>Verpakkingsmachine kan niet weggaan Van verpakking riem na fusie</p>	<p>1. Take-up katrol kan niet omgekeerde. Verpakkingsriem kan niet loskomen . 2. Trilstaaf komt niet omhoog van de verpakkingsband .</p>	<p>1. Druk op de terugspoelknop om los te laten de spanning van de verpakking is It 2. Houd het handvat van de aansteker vast Maak verbinding met de spanner mogelijk uitlaatklep en vervolgens inschakelen afsluitklep</p>
---	--	---

Vorzorgsmaatregelen tijdens fusie

- ① Een goede fusie kan een soepele en braamvrije verbinding garanderen, maar een te lange fusie zal de houdkracht van de PET-verpakkingsband verminderen.
- ② Na fusie, houd 3S, anders wordt de fusieverbinding vervormd of gescheiden.

Fabrikant: Shanghaimuxinmuyeyouxiangongsi

Adres : Shuangchenglu 803nong11hao1602A-1609shi, baoshanqu, shanghai 200000 CN.

Geïmporteerd naar AUS: SIHAO PTY LTD, 1 ROKEVA

STREETEASTWOOD NSW 2122 Australië

Geïmporteerd naar de VS: Sanven Technology Ltd., Suite 250, 9166

Anaheim Place, Rancho Cucamonga, CA 91730

EC	REP
-----------	------------

E-CrossStu GmbH

Mainzer Landstr.69, 60329 Frankfurt am Main.

UK	REP
-----------	------------

YH CONSULTING LIMITED.

C/O YH Consulting Limited Office 147, Centurion House,
London Road, Staines-upon-Thames, Surrey, TW18 4AX

VEVOR[®]

TOUGH TOOLS, HALF PRICE

Technische ondersteuning en e-garantiecertificaat

www.vevor.com/support

VEVOR[®]

TOUGH TOOLS, HALF PRICE

Teknisk support och e-garanticertifikat

www.vevor.com/support

Bandning Machine

MODELL: XQD19 , XQD19B , XQD25

We continue to be committed to provide you tools with competitive price.

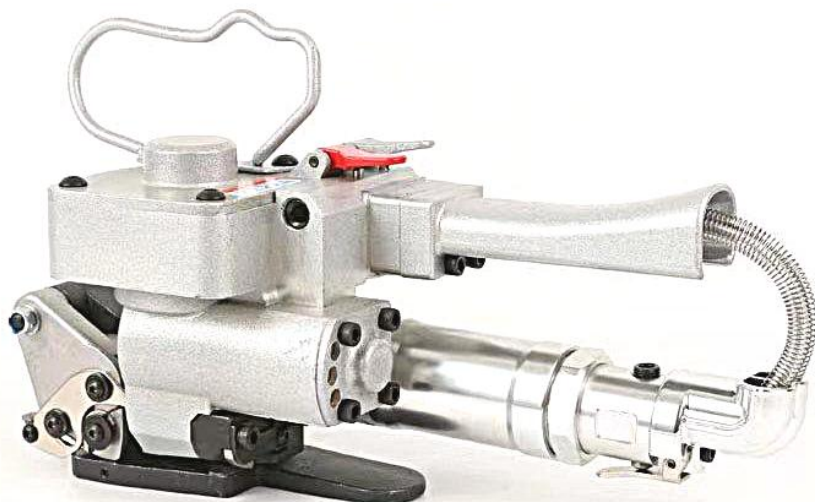
"Save Half", "Half Price" or any other similar expressions used by us only represents an estimate of savings you might benefit from buying certain tools with us compared to the major top brands and does not necessarily mean to cover all categories of tools offered by us. You are kindly reminded to verify carefully when you are placing an order with us if you are actually saving half in comparison with the top major brands.

VEVOR®

TOUGH TOOLS, HALF PRICE

STRAPPING MACHINE

Modell: XQD19 , XQD19B , XQD25



NEED HELP? CONTACT US!

Have product questions? Need technical support? Please feel free to contact us:

Technical Support and E-Warranty Certificate
www.vevor.com/support

This is the original instruction, please read all manual instructions carefully before operating. VEVOR reserves a clear interpretation of our user manual. The appearance of the product shall be subject to the product you received. Please forgive us that we won't inform you again if there are any technology or software updates on our product.

INSTRUCTIONS

Tack så mycket för att du valde denna Strapping M achine
- Läs igenom alla instruktioner innan du använder den. Informationen hjälper dig att uppnå bästa möjliga resultat.
Produkterna i denna katalog kan ha en annan färg än den faktiska varan .

50. Säkerhets instruktioner

Läs manualen noggrant innan du använder denna förpackningsmaskin.

Allmänna säkerhetsregler

1. Tänk på principen "säkerhet främst" och använd detta pneumatiska verktyg på rätt sätt;
2. Läs manualen noggrant före användning;
3. Demontera inte verktygets säkerhetsdelar;
4. Riv eller skada inte etiketten eller märket på produkten;
5. Placera inte din hand eller andra delar av din kropp mellan förpackningsbältet och förpackningsverktyget.

Ansökan

Detta verktyg är speciellt utformat för att binda artiklar med PET-förpackningsbälte;

Tillämplig bredd på förpackningsbältet: 13,16,19mm;

Använd inte förpackningsbältet för att lyfta.

Korrekt påklädning

Använd skyddsglasögon, öronkåpor, skyddshandskar, hjälm, skyddsskor och långärmad skjorta, fäst alla knappar; ta hand om din slips, långt hår och tyg ska inte hakas fast av förpackningsmaskinen.

Gaskälla

- Se till att lufttillförselröret tål tryck och är motståndskraftigt mot olja;
- Använd den speciella snabbkopplingen för luftrör; lufttrycket får inte överstiga 1 16 psi/ 8 bar;
- Använd endast ren tryckluft, istället för gaskälla eller dynamisk källa,

Ventilation

Inomhusluften kan lätt förorenas av smörjolja, därför bör ventilationen vara ordentlig.

Vibration

Det är skadligt för operatörerna om de kommer i kontakt med kraftiga vibrationer under en längre tid driftsspecifikationen bör överensstämma med relevanta krav i ISO5349.

Ljud

Operatörer ska bära hörselkåpor om ljudet är högre än 85Db(A). Även om ljudet är lägre än 85Db(A), det rekommenderas även att bära hörselkåpor.

Säkerhetsglasögon

Om det spännande förpackningsbältet plötsligt går sönder kan det skada ögonen och resultera i blindhet, så operatörer ska bära skyddsglasögon.

Notera:

Medan du skär av förpackningsbältet, håll i dess övre del och stå vid dess sida övre bältet kommer att skäras ner; var försiktig, det bör inte finnas några människor i omgivningen. Under underhåll och rengöring är dammet som kommer med luftdampspistolen skadligt till ögonen .

Rörlig del

Under drift kan den rörliga delen (åtdragningsremskivan) klämma fast handsken eller annan del av din kropp, så när upptagningsremskivan roterar, rör den inte.

Underhåll

- Utför dagligt underhåll av maskinen;
- Kontrollera regelbundet och ta bort damm med en luftdampspistol;
- Dra åt skruvarna på kroken;
- Stäng av gaskällan när du byter ut delar.

Fara vid skärning

Det vassa bladet på bladhallaren kan skada din hand och finger, så snälla bär säkerhetshandskar.

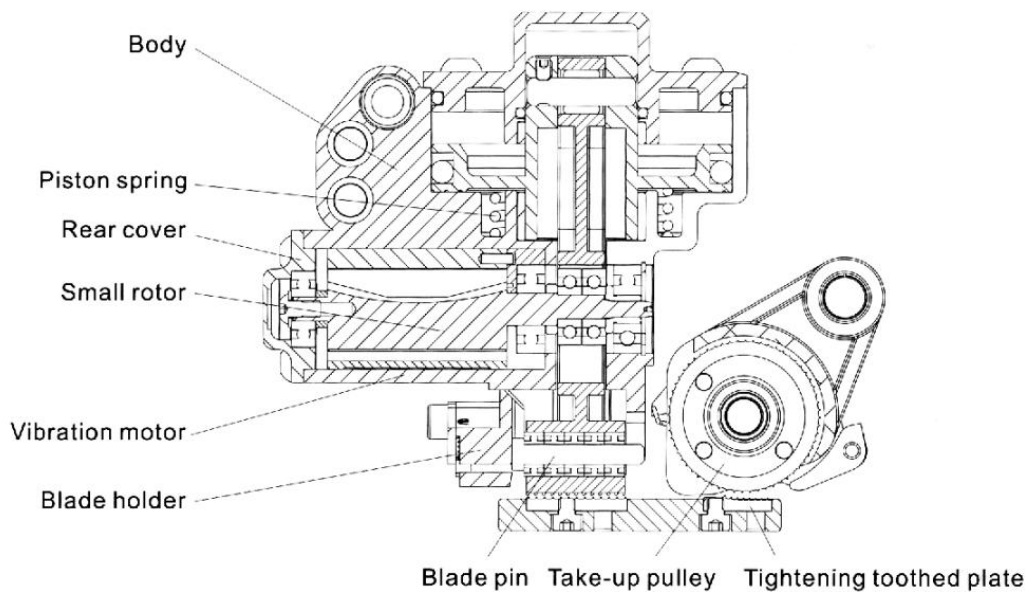
51. Principen för friktionsfusion

Detta verktyg är en slags friktionsfusionsförpackningsmaskin. Den överlappade termoplasten förpackningsbälte smälts samman av värmen som produceras av friktionsrörelse; därför kallas det "friktionsfusion"

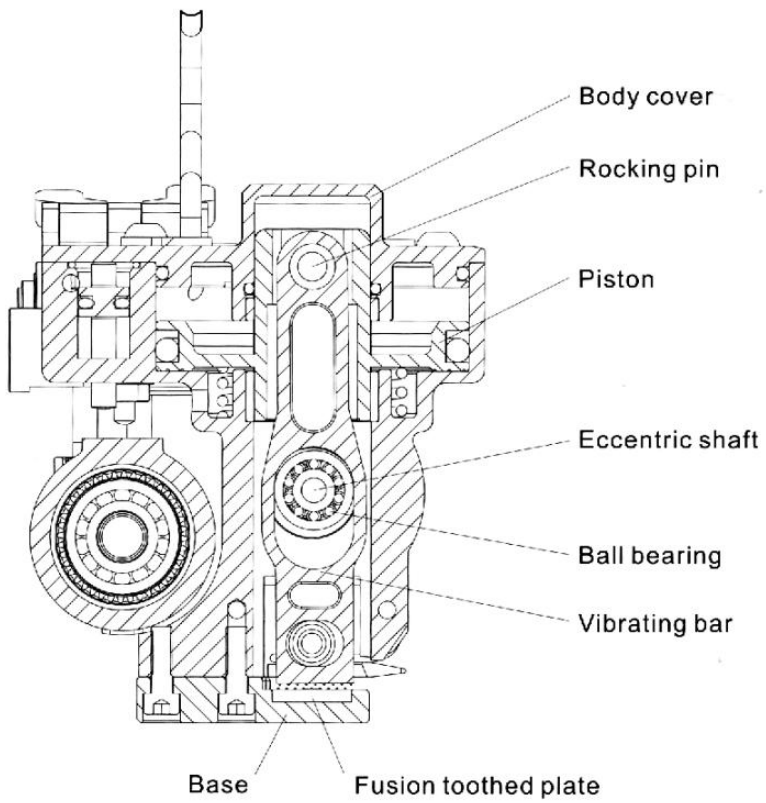
Den komprimerade luften kommer att trycka kolven inuti luftcylindern. Den övre delen av kolven och vibreringsstången är ansluten till gungstiftet, så vibreringsstången kommer att trycka på överlappad del av förpackningsbältet när du flyttar ner.

Det finns ett elliptiskt hål i mitten av den vibrerande stången, detta hål är anslutet till pneumatiska motorns excentriska axel. Den pneumatiska motorn roterar med hög hastighet (10 000 rpm), så att den vibrerande stången snabbt leder fram- och återgående rörelser. Den nedre delen av förpackningsbältet fixeras av stifttänderna på den fusionstandade plattan och dess övre del drivs av vibrators tapptänder för ansträngande friktion. Därför är den överlappade delen av förpackningsbältet smälts samman av värmen som produceras av friktion. När vibrationstimern når uppsättningen tid, vibrationer stannar och fusion slutförs.

Både övre och nedre delar av förpackningsbandet har fastnat vid



extrudering.



52. Specifikation och delar

Läge	XQD19	XQD19B	XQD25
Material i förpackningsbältet	PET /PP	SÄLLSKAP SDJUR	SÄLLSKAP SDJUR
Förpackningsbandets bredd (mm)	13 ~ 19	13~19	19 ~ 25
Tjocklek förpackningsbälte (mm)	0,5~1.2	0,5~1.2	0,5~1,5
Spännkraften för bindningsbandet (vid inmatning av luft trycket är 0,63Mpa)	3000N	3000N	3500N

Max.tillåtet arbetstryck:0,8Mpa

Erforderlig omfattning av arbetstryck: 0,5 ~ 0,7 Mpa (72 ~ 100 psi)

Idealiskt arbetstryck; 0,63Mpa

Material i förpackningsbältet : PET

Tillåten smörjolja: 51#

Förbrukning av tryckluft: 0,3L/Min

Justering av smälttidens omfattning: 2~5s

Tung skäranordning

Den tunga skäranordningen består av knivhållare och kniv och är van vid skär 0,5 ~ 1,5 mm tjockt förpackningsbälte.

Friktionsskäranordning

Friktionsskäranordningen används för att skära 0,5 ~ 0,7 mm tjock lätt PET-förpackningsbälte.

Suspension

Korrekt krok kan hängas upp i olika positioner (toppförsegling, vertikal

tätning; och horisontell tätning).

53. Gaskälla Instruktion

Krav på lufttryck

Den erforderliga omfattningen av lufttryck: 72-100psi (0,5-0,7Mpa).

Installation av gaskälla

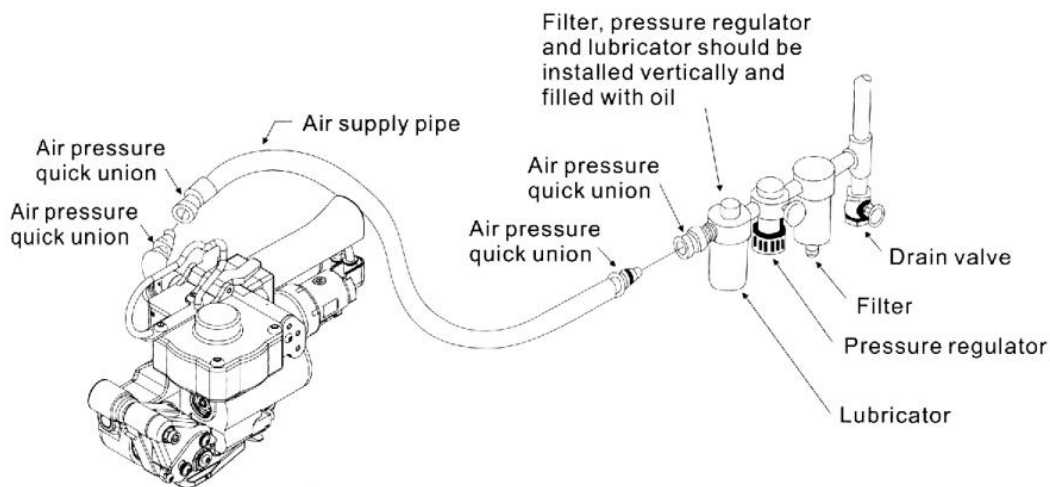
F i lter, tryckregleringsventil och smörjanordning ska vara nära pneumatiskt verktyg. Luftslangens minsta innerdiameter är 6,0 mm (1/4). Luftens båda ändrar tillförselröret ska vara försett med snabbkopplingar.

Fuktfiltrering

En dräneringsventil måste monteras i botten av lufttillförselkretsens bypass för att dränera en gång om dagen.

Smörjning

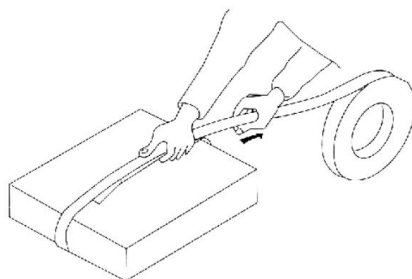
Pneumatisk motor bör smörjas ordentligt, och smörjenheten ska vara full och välreglerad (en droppe var 2:e minut).



54. Användningsinstruktion

(1) Hur man binder

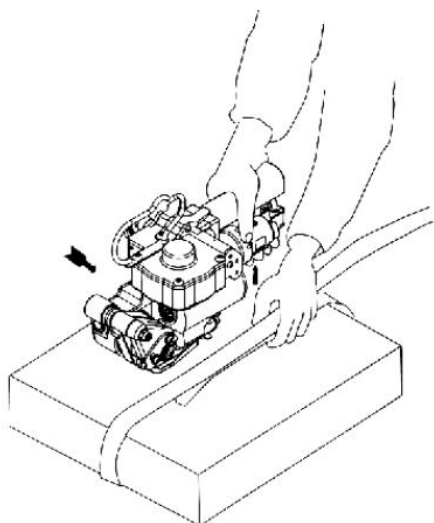
Som visas i den vänstra bilden, bunta ihop artikeln med förpackningsbälte, håll den överlappade delen med vänster hand, lämna ca 300 mm svans, dra i återstående del ut med höger hand.



(2) Placera förpackningsbältet

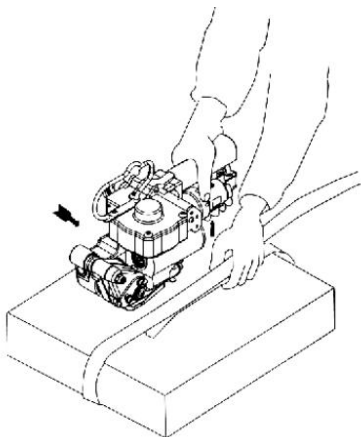
Håll i handtaget och hårdare med höger hand (för att säkerställa det maximala öppningsmålet mellan remskiva och spänntandad platta), sätt in både övre och nedre delen av förpackningen bältet i förpackningsmaskinen.

Obs: den lappade en del av förpackningsbandet måste separeras med bladet på bladhållaren; släpp spännaren (upptagningsremskivan klämmer fast förpackningsremmen tätt)



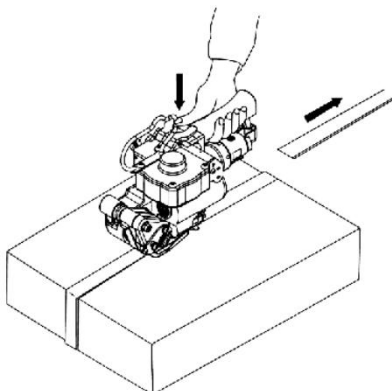
(3) Dra åt förpackningsremmen

Tryck på åtdragningsknappen (höger sida) med tummen på höger hand tills förpackningsbältet är spänt fullt.



(4) Vibration och skärning

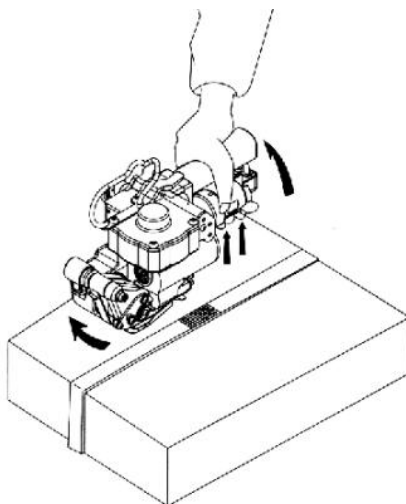
Tryck på fusionsknappen (vänster sida) med tummen på höger hand tills förpackningsremmen är smält och avskuren



(5) Ta ner förpackningen maskin

Tryck på handtaget och spännaren hårt med höger hand. Tryck på bakåtpolningsknappen med den lilla högerhands finger tills bältet släpps från upptagningsremskivan. Tryck på handtaget och spännaren ordentligt, ta bort verktyget från förpackningsbältet.

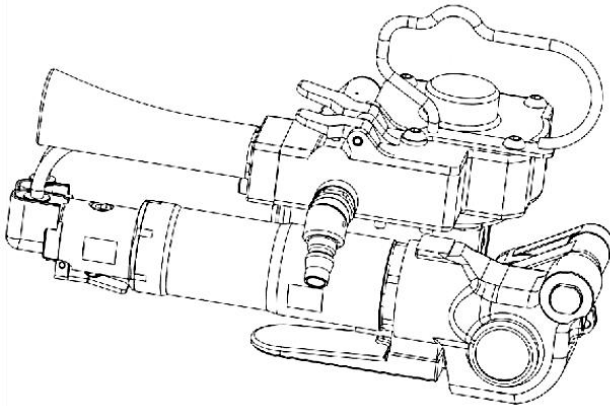
Obs: ta inte bort förpackningsmaskin tills förpackningsbältet släpps.



55. Spänningsjustering

Spänning av förpackningsbälte

Spänningen på förpackningsremmen kan justeras med en skruvmejsel genom stöldventilskaftet monterat under spännknappen bredvid handtaget.



Varning:

lätt förpackningsbälte (<0,7 mm) kan bära 150 kg spänning. Applicera inte för mycket spänning; annars kan förpackningsremmen gå sönder.

Tid för friktionsfusion

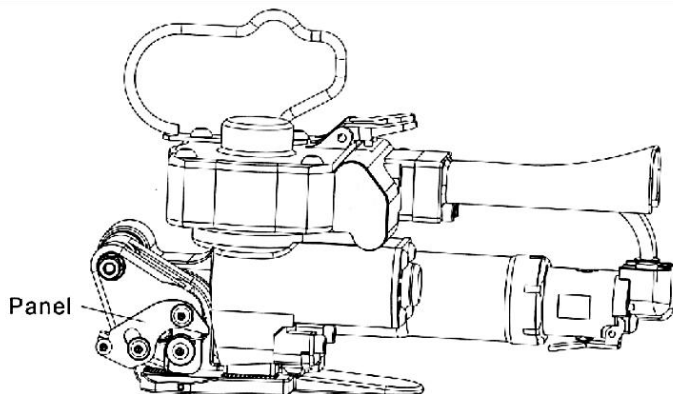
Tiden för friktionssmältning kan justeras enligt dimensionen på förpackningsbältet, mängden lufttryck och förpackningsmaskinens tillstånd. Av denna anledning används en liten skruvmejsel för att justera den lilla skruven under smältknappen (röd). Tiden kommer att öka om du roterar medurs och minskar om du roterar moturs: Dra åt låsmuttern efter justering. Ljudfusion kan säkerställa jämn och gradfri fogar.

Bredd på förpackningsbältet

(1) Panel

Panelen kan demonteras från förpackningsmaskinen genom att ta bort dess skruvar. Byt ut en ny panel enligt måtten s på det använda

förpackningsbandet och installationsmetoden för den tidigare panelen.



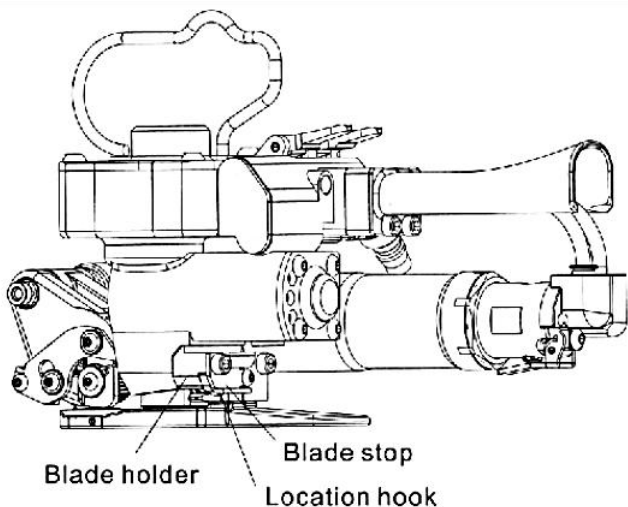
(2)Platskrok

Bladhållarens placeringskrok kan återmonteras genom att ta fjädern stift från knivhållaren .

Notera: Det finns en liten tryckfjäder i placeringskroken. Tappa den inte.

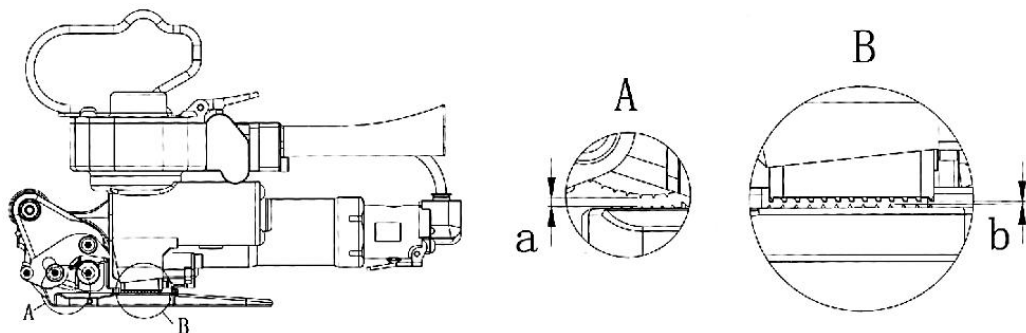
Återmontering

Välj ett hål från de tre hålen i bladhållaren enligt dimensionen på förpackningsbältet. Det yttre hålet används för 19 mm förpackningsbälte; medelstort hål är för 16 mm förpackningsbälte; och det inre hålet är för 13 mm förpackningsband.



Avstånd(a) mellan spännremskiva och spänntandad platta

Avståndet mellan upptagningsremskivan och spänntandad platta bör justeras i enlighet med måtten på det använda förpackningsbandet. Kontrollera avståndet (a) mellan upprullningsremskivan och spänntandplattan med en avkännare (som visas i figur nedan).



Avståndet (a) bör inte vara mindre än förpackningens tjocklek bälte. Medan leverans, detta avstånd är inställt på 1,0 mm mer än tjockleken på förpackningsbandet.

- (1) Om tjockleken på förpackningsremmen är 0,8 mm, placera en 0,2 mm tjock packning under den åtdragande tandade plattan;
- (2) Om sådan tjocklek är 0,6 mm, placera två 0,2 mm tjocka packningar under den åtdragande tandade plattan;

(3) Om sådan tjocklek överstiger 1,4 mm, sätt in två 0,2 mm tjocka packningar i mitten av kroppen och bad.

Avstånd (b) mellan den vibrerande stångens botten och den fusionstandade plattan

Mät avståndet mellan den vibrerande stångens botten och den fusionstandade plattan (se bilden ovan) med en avkännare. Följ följande under mätningen steg:

(1) Tryck på sammansmältningsknappen (röd) i minst 2S, så att både kolv och vibrationsstång kommer att vara helt nedåt.

(2) Mät avståndet (b) med en avkännare ; om ingen packning används, har avståndet(b). ställts in på 0,5 mm. Om tjockleken på förpackningsbandet är mindre än 0,6 mm, sätt in en 0,2 mm packning till botten av fusionstandad plåt.

Notera:

- Minska inte avståndet (b) genom att sätta in för många packningar;
- Förpackningsmaskinen kan skadas om det inte finns något spel mellan botten av vibrationsstången och smältskivan;
- Om den vibrerande stången träffar den smälttandade plattan, kommer tänderna på plattan att skadas omedelbart.

56. Fel och felsökning

Vanliga fel och felsökning:

(15) Spännardrift

Fenomen	Orsaker	Felsökning
Motorkropp kan inte starta .	1. Det finns främmande material i motor . 2. Motorn är för torr och i behov av smörjning . 3. Felaktig justering för luftventil resulterar i bristande lufttryck .	1. Leverera förpackningsmaskin till fabrik för reparation 2. Tillsätt flera droppar smörjolja till motor från luftintaget 3. Justera om

		luftventilen
Spännremskiva trycker på den övre förpackningsbälte .	<p>1. Avstånd mellan remskivan och den tandade plattan är för bred .</p> <p>2. I förpackningens tjocklek bältet, spänningskraften är för stark .</p> <p>3. Upptagningsremskivan är blockerad av damm eller rester från förpackningsbandet .</p> <p>4. Upptagningsremskivans tänder är trubbiga .</p>	<p>1. öka packningen.</p> <p>2. Justera spänningen på förpackningsremmen genom att justera luftventilen med en skruvmejsel .</p> <p>3. Rengör tänderna på upptagningsremskivan med luftblåspistol eller borste .</p> <p>4. Byt ut upptagningen remskiva.</p>
Vid packning , förpackningsmaskin går framåt eller kan inte klämma fast änden av förpackningsbälte .	<p>1. Tandplattan är blockerad genom rester av förpackningsband .</p> <p>2. Tänderna på upptagningen tandade plattan är trubbig .</p> <p>3. Spänningen av förpackningsbältet är För stark .</p>	<p>1. Rengör tänderna från upptagningskuggade platta, blås bort resten med luft blåspistol .</p> <p>2. Byt ut den tandade plåten.</p> <p>3. Justera trottventilen med en liten skruvmejsel .</p>

Varningar under spänningsoperationen

- ① När artikeln har bundits med förpackningsbälte, håll den överlappande delen med vänster hand mot dra ut överflödig del.
- ② Se till att den överlappande delen av förpackningsbandet i förpackningsmaskinen är i inriktning.
- ③ Vid förpackning, om spänningen är för hög, kommer förpackningsremmen att gå sönder. Kontrollera spänningen av förpackningsremmen genom att justera luftventilen.

(16) Fusionsdrift

Fenomen	Orsaker	Felsökning
Ofullständig fusion eller Nej fusion	<ol style="list-style-type: none">1. Fusionstiden är för kort2. Lufttrycket är det inte tillräckligt3. ID för luftröret är för litet4. Tänderna på fusion tandade platta eller vibrerande stång är blockerade av rester eller slitna ut5. Vibrationsmotorn är för torr och i behov av smörjning	<ol style="list-style-type: none">1. Se denna manual för justering fusionstid .2. Tillföra luft vid lufttrycket på 72psi eller högre .3. Byt ut luftröret till ett luftrör med en innerdiameter på över 6,4 mm .4. Rengör tänddel eller ersätt vibrerande stång och fusionstandad platta .5. Tillsätt smörjolja från luftintaget
Förpackningsbälte är överdrivet smält eller bruten av under Fusion bearbeta	<ol style="list-style-type: none">1. Tjockleken på förpackningen b elt räcker inte2. Fusionstiden är för lång3. Kylningstiden för friktion fusionsdelen är för kort .	<ol style="list-style-type: none">1. Använd förpackningsbältet som har korrekt Specifikation2. Minska smälttiden vid behov. Se denna handbok3. Behåll minst 3 sekunder efter fusion

<p>Förpackningsmaskin kan inte flytta Från förpackning bälte efter fusion</p>	<p>1. Take-up remskiva kan inte omvänd . Förpackningsbältet kan inte lossna . 2. Vibreerande stång reser sig inte från förpackningsbältet .</p>	<p>1. Tryck på bakåtspolningsknappen för att släppa spänningen av förpackningen be lt 2. Håll ljusarens handtag till aktivera spännaren att ansluta med avgasventil och slå sedan på avstängningsventil</p>
---	---	---

Försiktighet vid fusion

- ① Ljud sammansmältning kan säkerställa en jämn och gradfri fog, men för lång sammansmältning kommer att minska vidhäftningskraften hos PET-förpackningsbandet.
- ② Efter fusion, behåll 3S, annars kommer fusionsfogen att deformeras eller separeras.

Tillverkare: Shanghaimuxinmuyeyouxiangongsi

Address : Shuangchenglu 803nong11hao1602A-1609shi, baoshanqu, shanghai 200000 CN.

Importerad till AUS: SIHAO PTY LTD, 1 ROKEVA STREETEASTWOOD NSW 2122 Australien

Importerad till USA: Sanven Technology Ltd., Suite 250, 9166 Anaheim Place, Rancho Cucamonga, CA 91730

EC	REP
-----------	------------

E-CrossStu GmbH
Mainzer Landstr.69, 60329 Frankfurt am Main.

UK	REP
-----------	------------

YH CONSULTING LIMITED.
C/O YH Consulting Limited Office 147, Centurion House,
London Road, Staines-upon-Thames, Surrey, TW18 4AX

VEVOR[®]

TOUGH TOOLS, HALF PRICE

Teknisk support och e-garanticertifikat

www.vevor.com/support