

# BLANCO



Performance First

---

Instructions for the Use and Care and Installation of

**BRST60X**

**BRST90X**

Slide Out Rangehood.

---





Dear Customer

You will find that the modern look of your **Blanco** rangehood blends in perfectly with your kitchen décor. It is easy to use and performs to a high standard.

Blanco also makes a range of products that will enhance your kitchen – such as cooktops, ovens, dishwashers, microwaves, sinks and taps. There are models to complement your new Blanco rangehood. Blanco now has a range of laundry products to choose from.

Of course, we make every effort to ensure that our products meet all your requirements, and our Customer Service Department is at your disposal, to answer your questions and to listen to your suggestions.

Please complete the warranty section of this manual and keep your receipt as proof of purchase. Retain all documents relating to the purchase of Blanco product.

Blanco is committed to providing increasingly efficient products that are easy to use, respect the environment and are attractive and reliable.

**BLANCO**



Fig.1

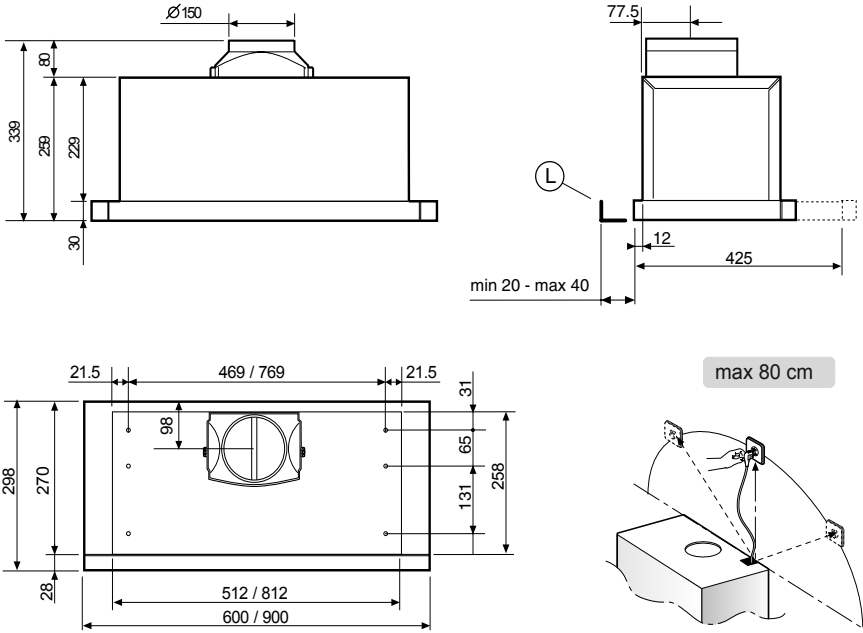


Fig.2

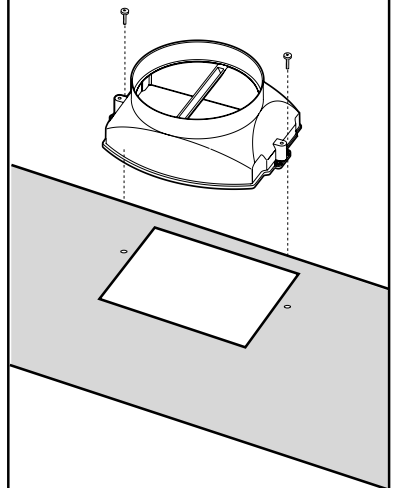
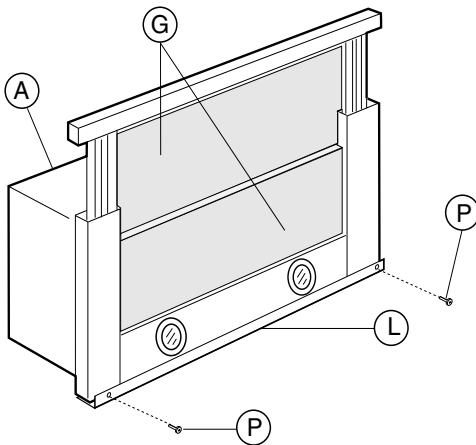


Fig.3

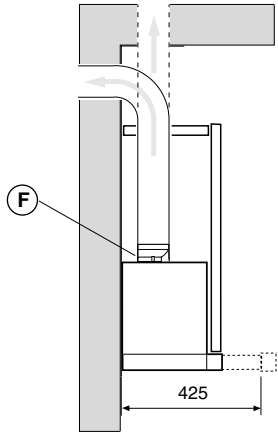


Fig.4

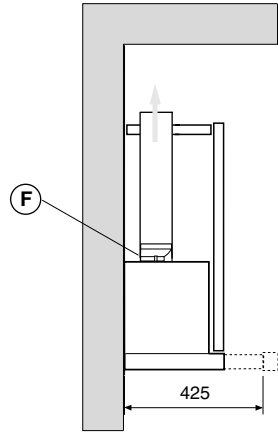
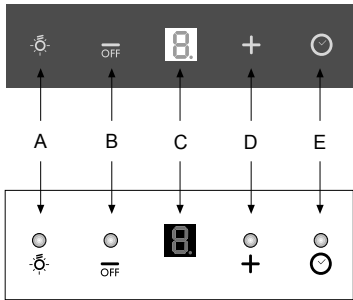


Fig.5



## GENERAL

Carefully read the following important information regarding installation safety and maintenance. Keep this information booklet accessible for further consultations. The appliance has been designed as an exhausting version (external exhaust) or as a filter version (internal air recycle) rangehood.

## SAFETY PRECAUTION

1. Take care when the rangehood is operating simultaneously with an open fireplace or burner that depend on the air in the environment and are supplied by other than electrical energy, as the cooker hood removes the air from the environment which a burner or fireplace need for combustion. The negative pressure in the environment must not exceed 4Pa (4x10<sup>-5</sup> bar). Provide adequate ventilation in the environment for a safe operation of the rangehood. Follow the local laws applicable for external air evacuation.

### Before connecting the model to the electricity network:

-Inspect the data plate (positioned inside the appliance) to ascertain that the voltage and power correspond to the network and the socket is suitable. If in doubt ask a qualified electrician.

### General Warnings.

- The appliance is not intended for use by young children or infirm persons without supervision.
- Young children should be supervised to ensure that they do not play with the appliance.
- If the supply cord is damaged, it must be replaced by the manufacturer or its service agent or a similarly qualified person in order to avoid a hazard.
- There shall be adequate ventilation of the room when the range hood is used at the same time as appliances burning gas or other fuels.
- Ensure that the range hood is cleaned frequently.
- There is a risk of fire if cleaning is not carried out in accordance with the instructions.
- Do not flambé under the range hood.

### Warnings for Installation:

- The exhaust air must not be discharged into a flue which is used for exhausting fumes from appliances burning gas or other fuels.
- The minimum distance between the support surfaces of the cooking pots on the cooker top and the lowest part of the rangehood must be at least 65 cm.
- The regulations concerning the discharge of exhaust air have to be fulfilled.

## INSTALLATION INSTRUCTIONS

### • Electric Connection

The appliance has been manufactured as a class II, therefore no earth cable is necessary. The connection to the mains is carried out as follows: BROWN = L line BLUE = N neutral If not provided, connect a plug for the electrical load indicated on the description label. Where a plug is provided, the rangehood must be installed in order that the plug is easily accessible. An omnipolar switch with a minimum aperture of 3mm between contacts, in line with the electrical load and local standards, must be placed between the appliance and the network in the case of direct connection to the electrical network.

• If a connection tube composed of two parts is used, the upper part must be placed outside the lower part. Do not connect the rangehood exhaust to the same conductor used to circulate hot air or for evacuating fumes from other appliances generated by other than an electrical source.

### • INSTALLATION.

The following instruction should be followed to carry out the correct installation of the cooker hood.

- 1) Mounting of the rangehood on the lower side of the cupboard.
- 2) Selection of the version (extraction or filtration) Mounting the rangehood on the lower side of the cupboard.

This appliance must be fitted to a cupboard or other suitable support. For fixing use 4 screws suitable for the cupboard, using the hole in Fig.1. When mounting align the front of the rangehood to the door of the cupboard and regulate the L wall spacer through the screws marked P (Fig. 2). The rear of the

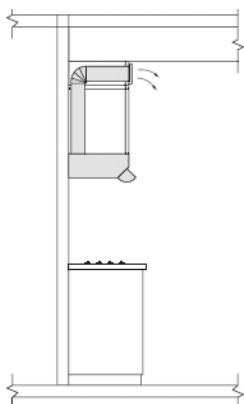
appliance must then align with the cupboard.

### • EXTRACTION THROUGH AN OUTSIDE WALL

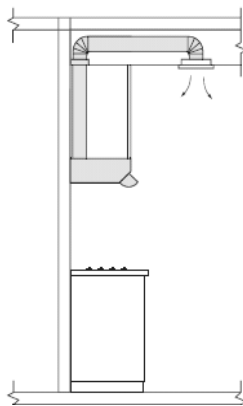
The appliance expels the fumes through an outside wall or a duct. It is necessary to buy a telescopic pipe in accordance with the standards in use (not inflammable with diameter 150mm) and connect it to flange F (Fig. 3).

### • RECIRCULATION

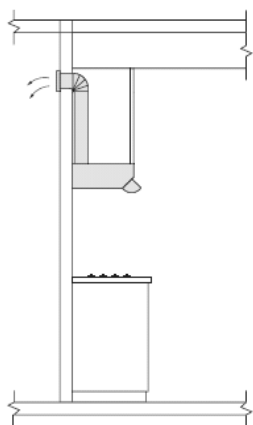
To transform the rangehood from the extraction version to the re circulating one ask your supplier for an activated carbon filter. The activated carbon filter cleans the air of the room. This filter is not washable or re-usable and must be substituted at least every 4 months. Saturation of the activated charcoal depends on how often the appliance is used, the type of kitchen and how regularly the grease filters cleaned. The filter must be fitted to the extracting group rangehood in the centre of the fan grille by twisting it by 90 degrees until it is gripped securely. For this operation remove the grill G (Fig. 2). The clean air is returned into the room through a connecting tube passing inside the cupboard and connected to the ring F (Fig. 4).



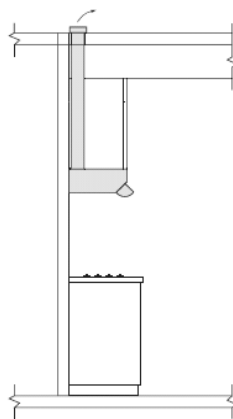
Recirculated to kitchen area via bulkhead



Recirculated to kitchen area via ceiling



Ducted to atmosphere through wall



Ducted to atmosphere through roof

## Installation

Exercise care when a rangehood is installed in an area where a gas burner is operating. Depending on the size of the room, the rangehood may draw from the room air that is necessary for proper combustion of the burner. All Blanco rangehoods are used for indoor application only.

### Rangehoods may be installed in two ways:

1. Ducted to the atmosphere (outside).
2. Recirculating.

We recommend ducting to the atmosphere to ensure optimum performance. Recirculating the air back into the room should only be used when outside extraction is not possible. To ensure maximum performance when ducting it is important the ducting that carries the fumes away, be as short and as straight as possible.

When incorporating a rangehood in the design of a kitchen the following points need to be considered to achieve the most benefit from the rangehood.

1. Ducting from a rangehood carrying the exhaust air, should not exceed a length of three (3) metres.
2. For ducted installation we recommend using galvanised or similar metal type flue pipe. PVC pipe is not recommended.
3. Ducting containing a 90° degree bend will encounter a loss in efficiency of approximately 35%. Additional 90° degree bends can cause losses of up to 15% per bend.
4. Ducting size should always comply with the manufacturers specification.
5. We recommend carbon filters be used when re-circulating the air into the room. There will be some loss of air movement when carbon filters are fitted.

## USE AND MAINTENANCE

- It is recommended to operate the appliance prior to cooking. It is recommended to leave the appliance in operation for 15 minutes after cooking is terminated in order to completely eliminate cooking vapours and odours. The proper function of the rangehood is conditioned by the regularity of the maintenance operations, in particular, the active carbon filter.
- The aluminium filters capture the grease particles suspended in the air, and are therefore subject to clogging according to the frequency of the use of the appliance. In order to prevent fire hazard, it is recommendable to clean the filter at a maximum of 2 months by carrying out the following instructions:
  - Remove the filters from the rangehood and wash them in a solution of water and neutral liquid detergent, leaving to soak.
  - Rinse thoroughly with warm water and leave to dry.
  - The aluminium filters may also be washed in the dishwasher. The aluminum panels may alter in colour after several washes. This is not cause for customer complaint nor replacement of panels.
- The active carbon filters purify the air that is replaced in the environment. The carbon filters are not washable nor re-useable and must be replaced at maximum every four months. The saturation of the active carbon filter depends on the frequency of use of the appliance, by the type of cooking and the regularity of cleaning the filters.
- Clean the fan and other surfaces of the rangehood regularly using a cloth moistened with a non abrasive liquid detergent.
- The rangehood lighting is designed for use during cooking and not for prolonged general illumination of the environment. Prolonged use of the lighting notably reduces the duration (life) of the bulb.
- To replace the halogen lamp. With a small blade, remove the metal surround holding the glass in place. The lamp can be pulled outward from its socket.

### COMMANDS: (Fig.5)

**Push-button A** = on/off lights switch

**Push-button B** = on/off switch. The appliance switches on at level 1. To switch off the rangehood

press the touch control "B" for 2 seconds.

**Display C** = indicates the motor speed level selected and activates the timer.

**Push-button D** = switches on the cooker hood. Increases the motor speed. Touching the key at 3rd speed, the intensive function runs for 10', then the appliance go back to work at the original speed. During this function the display blinks.

**Key E** = The Timer times the functions on activation for 15 minutes, after which they are switched off. The Timer is deactivated by re-pressing **Key E**. When the Timer is activated the decimal point must flash on the display. The Timer cannot be activated if the intensive speed is functioning.

The "**clean air**" function is activated by pressing key **E** for 2 seconds when the appliance is switched off. This switches the motor on for 10 minutes every hour at the first speed. During functioning a rotary movement of the peripheral segments must be visualised on the display. When this time has passed the motor switches off and the fixed letter "**C**" must be visualised on the display until the motor re-starts after 50 minutes for another 10 minutes and so on. Press any key apart from the light keys to return to normal functioning. Press key **E** to deactivate the function.

- The "automatic stop timer" delays stopping of the hood, which will continue functioning for 15 minutes at the operating speed set at the time this function is activated.

- **Active carbon/grease filter saturation:**

- When display item **C** flashes, at a speed where it alternates with the letter **F** (e.g. 1 and **F**), the **grease** filters must be washed.

- When display item **C** flashes, at a speed where it alternates with the letter **A** (e.g. 1 and **A**), the **carbon** filters must be replaced.

After the clean filter has been positioned correctly, the electronic memory must be reset by pressing button **A** for approximately **5 seconds**, until the indication **F** or **A** shown on the display **C** stops flashing.

## Blanco Contact Information.

### NEW SOUTH WALES

#### Head Office, Sales & Marketing Office

104 Vanessa Street  
Kingsgrove NSW 2208  
Telephone: 02 9503 2888  
Facsimile: 02 9503 2810

#### NSW Showroom\*

40 Ebley Street  
Bondi Junction NSW 2022  
Telephone: 02 9386 1190  
Facsimile: 02 9386 1671

#### Agent and Sales Office.

Hi –Performance Marketing  
7 Coleman Street  
Mascot NSW 2020  
Telephone: 02 88354937  
Facsimile: 02 90048739

#### Service and Spare Parts

All General Whitegoods Service  
Telephone: 02 8788 8666  
Facsimile: 02 9756 1091

### AUSTRALIAN CAPITAL TERRITORY

#### Service and Spare Parts

Detlevs Appliance & Electrical Care  
1/88 Sheppard Street  
Hume  
ACT 2905  
Telephone: 02 6280 1033  
Facsimile: 02 6260 1035

### VICTORIA

#### State Office and Showroom\*

35 Centre Road  
Scoresby VIC 3179  
Telephone: 03 8756 7888  
Facsimile: 03 8756 7907

#### Service and Spare Parts

Advantage Appliances  
Telephone: 03 9874 4222  
Facsimile: 03 9874 6917

### QUEENSLAND

#### State Office and Showroom\*

148 Robinson Road - East  
Geebung  
QLD 4034  
Telephone: 07 3259 2500  
Facsimile: 07 3265 6933

#### Endeavour Appliances

Telephone: 07 3872 7444  
Facsimile: 07 3852 2465

#### Platinum Appliance Service.

Telephone: 07 38621154  
Facsimile: 07 38621114

### SOUTH AUSTRALIA & NORTHERN TERRITORY

#### Agent and Sales Office

S C Lighting & Electrical Supplies  
47 North Terrace  
Hackney SA 5069  
Telephone: 08 8362 4599  
Facsimile: 08 8362 4591

#### Service and Spare Parts

Prestige Appliance Repair Centre  
Telephone: 08 8352 2022  
Facsimile: 08 8352 3044

### WESTERN AUSTRALIA

#### Agent and sales Office

Elite Appliance Marketing Pty Ltd  
Suite 4  
14 Main Street  
Osborne Park WA 6017  
Telephone: 08 9201 0311  
Facsimile: 08 9201 0366

#### Service and Spare Parts

Metropolitan Appliance Repairs  
Telephone: 08 9330 1724  
Facsimile: 08 9317 1296

### TASMANIA

#### Agent and Sales Office

Mark Pearce Agencies  
23 Tranmere Road  
Howrah TAS 7018  
Tel/Fax: 03 6247 9215

#### Service and Spare Parts

Electrical Equipment Service (Launceston)  
Telephone: 03 6339 3873  
Facsimile: 03 6339 4588

#### Baldocks Appliance Service (Hobart)

Telephone: 03 6234 5995  
Facsimile: 03 6234 8134

### BLANCO CUSTOMER SERVICE

**1300 739 033**

Website: [www.meappliances.com.au](http://www.meappliances.com.au)

\* Showrooms open six days a week

