

Open Frame Wall Mount Rack

Thank you for purchasing a NavePoint product. NavePoint intends this manual to guide you through a smooth installation of the product. NavePoint assumes that you are qualified in the servicing of computer equipment and trained in recognizing any hazards that may occur in the installation of this product. If you have any questions regarding the installation or use of your product, please call us at 888.505.1363.



Examine the package for any damaged or loose parts. If anything is damaged or missing, contact NavePoint for assistance. Do not attempt to install or use product if it has been damaged.



www.NavePoint.com
customerservice@navepoint.com
© 2017 NavePoint, LLC
Rev. 201708

The information contained in this document is subject to change without notice.

NavePoint makes no warranty of any kind with regard to this material, including, but not limited to the implied warranties of merchantability and fitness for a particular purpose.

NavePoint shall not be liable for errors contained herein or for incidental or consequential damages in connection with the furnishing, performance, or use of this material.

NavePoint assumes no responsibility for the use, application, or reliability of the software or hardware that you install into the product. Always install the heaviest equipment in the bottom.

It is highly recommended that installation of this product be performed by a qualified and experienced installer. Improper installation of this product could result in damage to the product, other equipment, or personal injury. NavePoint cannot be held responsible for damage to equipment or personal injury resulting from improper use, installation or the misuse of information presented in this document.

Important information-
Keep this information for further reference.

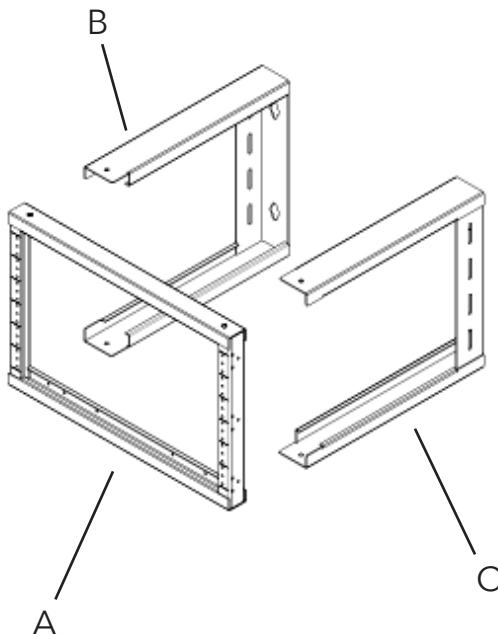
WARNING

Different wall materials require different type of anchoring devices. Use anchoring devices suitable for the walls which you are using in your application. For advice on suitable anchoring systems, contact your local specialist.

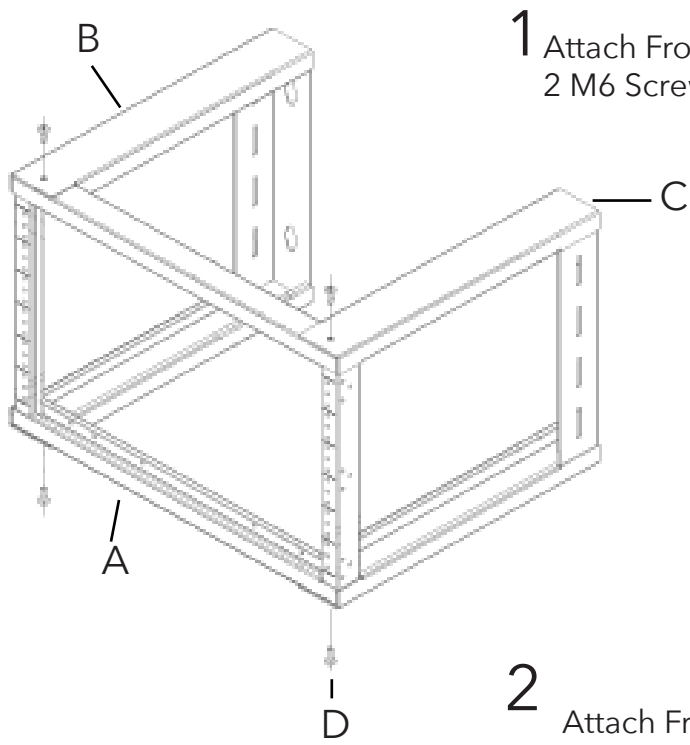
Limitations of Liability: In no event will NavePoint, LLC. (or its officers, directors, employees or agents) be liable for any damages, whether direct or indirect, special, punitive, incidental or consequential damages (including, but not limited to, lost profits or revenue, loss of use, lost business opportunities or loss of goodwill) or for the costs of procuring substitute products, arising out of or in connection with the use of the product, whether such liability arises from any claim based upon contract, warranty, tort (including negligence), product liability or otherwise, whether or not seller has been advised of the possibility of such loss or damage. In no event will seller's total cumulative liability, from all causes of action and all theories of liability, exceed the total amounts actually paid to seller by customer under the order that gives rise to any liability hereunder.

Instructions for Products:

00301009 - 6U
00301010 - 9U
00301011 - 12U
00301012 - 15U



Part	Quantity
A	Front Bracket x 1
B	Left Bracket x 1
C	Right Bracket x 1
D	M6 Screws x4



1 Attach Front Bracket (A) to Left Bracket (B) using 2 M6 Screws (D)

2 Attach Front Bracket (B) to Right Bracket (C) using 2 M6 Screws (D)

Finished.

