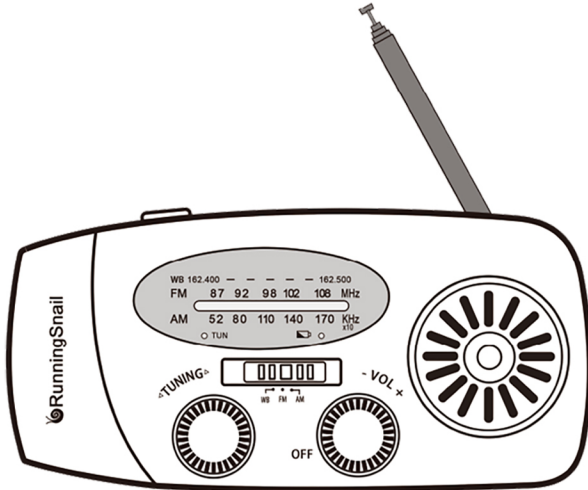


# User Manual



## CONTENTS:

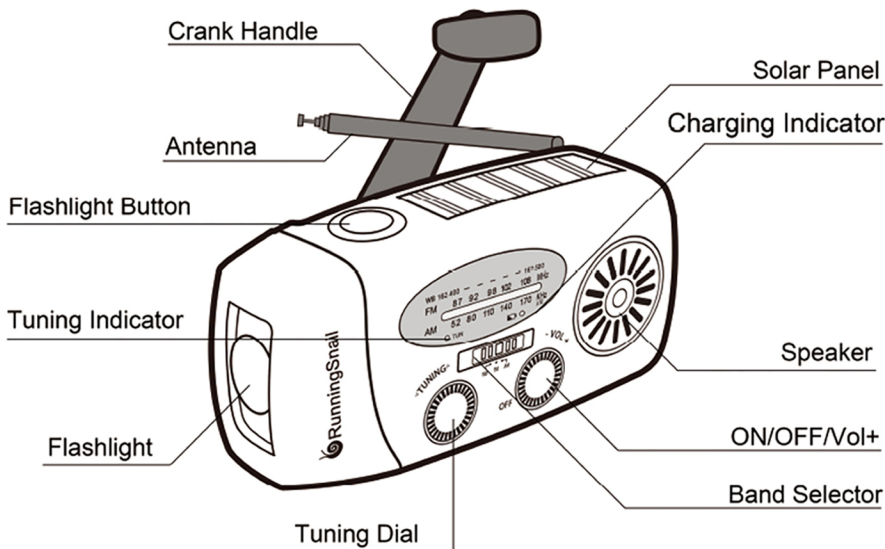
- RADIO OPERATION
- POWER YOUR RADIO
- CHARGE EXTERNAL DEVICES
- SPECIFICATIONS
- SAFETY INSTRUCTIONS
- WARRANTY

# RADIO OPERATION

## TURNING ON/OFF THE RADIO

- Rotate the volume control knob to turn on the radio and adjust volume.
- Select FM /AM /WB with BAND button. Extend the antenna to get better signal.
- Rotate the tuning dial to select channel. Green tuning indicator will turn on when a channel is properly selected.

**FLASHLIGHT:** Press the flashlight button to turn it on/off.



## POWER YOUR RADIO

Before you power your radio, make sure to read the SAFERY INSTRUCTIONS.

### A. SOLAR POWER

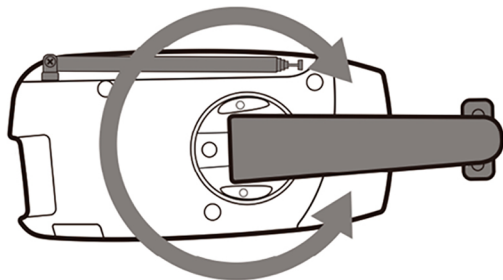
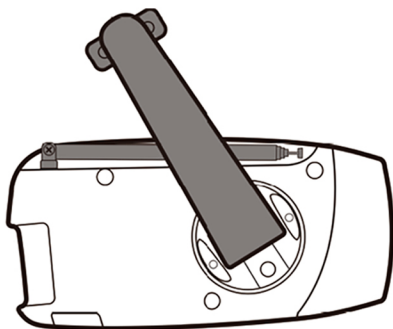
- Place solar panel in direct sunlight.
- Charging indicator will turn red as the battery charges.
- It is difficult to fully charge the unit with solar panel, which is mostly used for maintaining the battery.
- Do not charge the radio in a hot area such as a car. It is also advisable to turn the radio off when charging.
- NOTE: The solar panel has a lifespan of more than 25 years when used for 6 hours per day.

### B. USB PORT CHARGING

- To charge the radio ,insert the supplied USB cable into the USB power source. Plus the Micro USB connector into the input port on the side of the radio.
- The charging indicator will flash red as the battery charges.
- It takes 2 hours for the internal 17500 1000mAh LI-ION battery to be fully charged.
- When completely charged, the battery will deliver 4-5 hours of radio play(depending on the sound volume) or 16-20 hours of flashlight time.

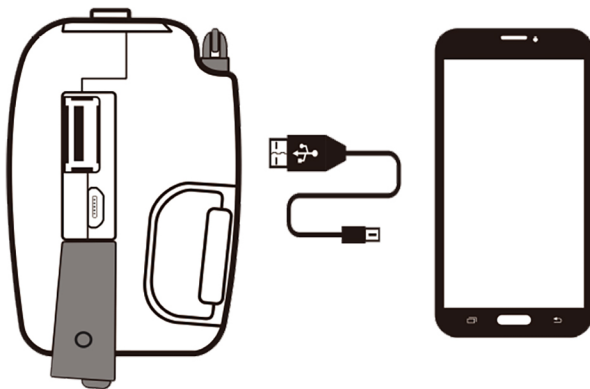
### C. HAND CRANK

- Unfold the handle from the backside of the radio and rotate it in either direction.
- Turn the hand crank for 3-5 minutes to activate the internal battery for initial use.
- Wind the hand crank at a speed of 130-150RMP/min for power to be generated. Unit will be fully charged in 3 hours.
- One minute of winding gives 15-20 minutes of radio play (at medium volume) and 30 minutes of light.



## CHARGE EXTERNAL DEVICES

- Insert the USB cable into the USB output port on the side of the radio and connect to the devices.
- The radio will go into charge mode and help to charge your devices.
- You can also charge USB devices by loading 3 pcs of batteries on the radio or by cranking at a speed of 130-150RMP/min.



### Note:

- This feature is only for charging the USB devices during emergency. Do not use it as a normal power bank.
- The supplied charging cable is only for charging Micro USB/iphone devices. Other USB devices should be charged using original charging cable.

## SPECIFICATIONS

Frequency range	AM 520-1710Khz FM 87-108MHz WB 162.400-162.550MHz
Dimensions	128×60v×45mm/5×2.4×1.8in
Weight	220g/0.49lb
Product material	ABS
Power consumption	3W (max)
Working voltage	2.7V-4.2V
Output voltage/current	5.1V/800mA
Water-resistand level	IPX – 3
LED flashlight	1W/30LM
Power source	3.7V / 1000mAh 17500 Li-ion

## SAFETY INSTRUCTIONS

- Dropping this radio can cause injury or damage. The unit will not resist strong impact or contact with corrosive liquids.
- This radio is not waterproof, just water-resistant. Keep the unit dry as moisture and liquids can damage it.
- Wind the crank for 3-5 min before use to activate and kee the internal battery healthy.

## WARRANTY

- This crank radio has a full 12-month warranty against manufacturing defects.
- The warranty period begins from the date of purchase.

Please contact email: [info@runningsnail.com.cn](mailto:info@runningsnail.com.cn) if there is any problem with this item and we will try our best to help you out. Thanks for your support.