

VIVOHOME

**THANK
YOU!**

NOTE:

To continuously improve its products, VIVOHOME reserves the right to modify this information without prior notification.

For any questions regarding assembly, please watch the video on the product page or contact our customer service. Our customer service will gladly assist you with any additional questions, comments, or concerns.

Thank you for using VIVOHOME products in your home!

Thank You for Purchasing from

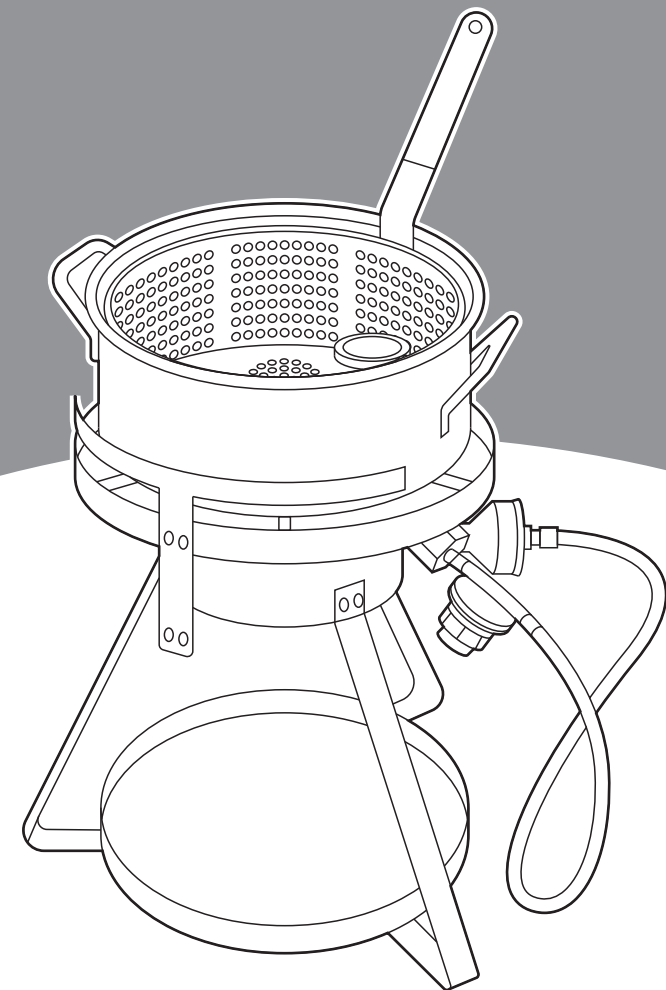
VIVOHOME

Made in China

VIVOHOME

HOW-TO

USER MANUAL



**10 Qt Fish Fryer Kit
with Burner**

Assembly is EASY!

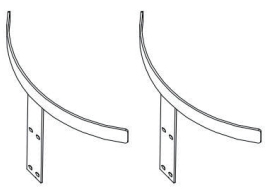
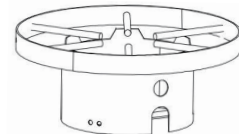
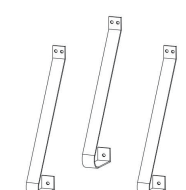




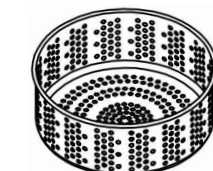
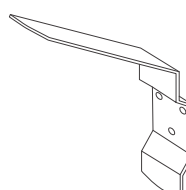
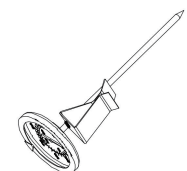
WE WANT YOU TO ENJOY LIFE AT HOME

GO TO THE PRODUCT LISTING PAGE
FOR AN INSTRUCTIONAL VIDEO!

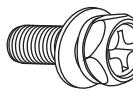


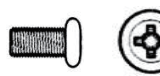



CONTENTS

Parts List and Diagram.....	1
Instructions.....	3
Maintenance & Care	5
Assembly Instructions	6
Safety Instruction.....	7
Warranty.....	9



Item No.	Reference Image	Qty.	Item No.	Reference Image	Qty.
1	 Pot Holders	x1	2	 Top Frame Assembly	x2
3	 Legs	x3	4	 Bottom Ring	x1
5	 Cast burner	x1	6	 Regulator/Hose	x1
7	 10Qt Pot	x1	8	 Basket	x1
9	 Basket Handle	x1	10	 4"Thermometer	x1



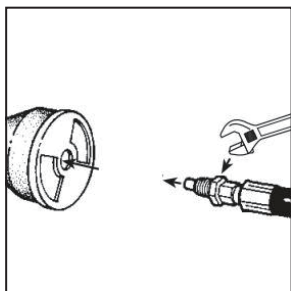
Item No.	Reference Image	Qty.	Item No.	Reference Image	Qty.
A	 M6 Hex head bolt	x13	B	 M6 Flange nut	x13
C	 Nylon lock nut M6 Flange nut M6	x1	D	 M5 Bolt	x3
E	 M5 Nut	x3	F	 M5 Tooth Washer	x3
G	 M5 Washer	x3			

* A&B for frame assembly
* C for burner assembly
* D, E, F&G for basket handle assembly



PREPARATION

1. Place the stove on a level, stable surface.
2. Attach the propane hose to the brass stove inlet fitting.
3. Make sure the propane bulk tank valve is closed.
4. Attach the propane hose to the outlet of the propane tank.
5. Slowly open the propane tank valve and check for leaks by applying a small amount of liquid soap and looking for bubbles to appear.



Note: When connecting the hose to the unit, insert the male fitting of the hose. Tighten the fitting onto the throat of the burner using a wrench. Do not overtighten. You should be able to turn on the air control panel.

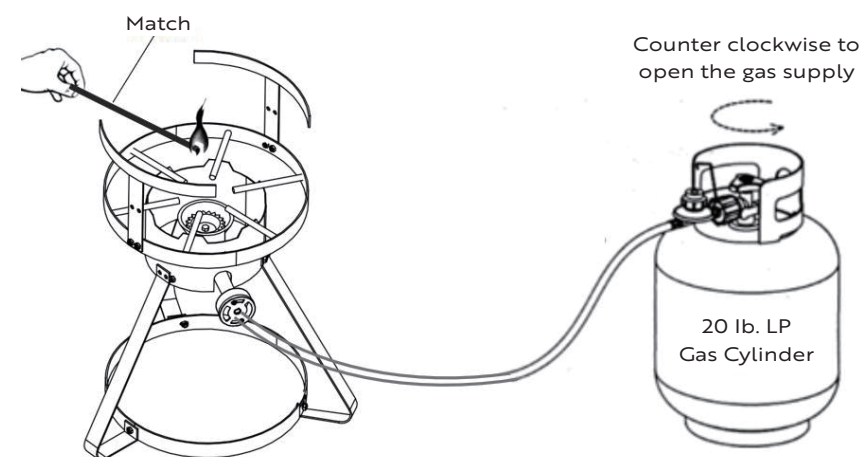
LIGHTING INSTRUCTIONS

1. Read the instructions before lighting.
2. When you are sure there are no leaks, turn the cylinder valve and regulator control valve on the hose to the closed position.
3. Have a fireplace match or long-nosed lighter lit over the burner from the side. Keep your hands and faces away from the burner.
4. Slowly open the gas supply until the burner ignites, keeping hands and faces away from the burner.
5. Adjust the regulator control valve for the desired flame height. The flame should be compact and blue with a slight yellow tip. If the flame is too “yellow,” adjust the air mixture valve under the throat of the cast burner until the flame color is achieved.

6. When finished using the cooker, turn off the gas cylinder valve first. It will take a few seconds for the fire to go out and for the propane gas to bleed from the hose and regulator assembly.

After the fire is completely out, turn the regulator control valve to the OFF position.

7. To relight, repeat steps 1–6. Always use CAUTION as the cooker will be hot.
8. If ignition does not occur in 5 seconds, turn the burner control(s) off, wait 5 minutes, and repeat the lighting procedure.
9. After use, let it cool for 15 minutes before storage or transport.



STORAGE

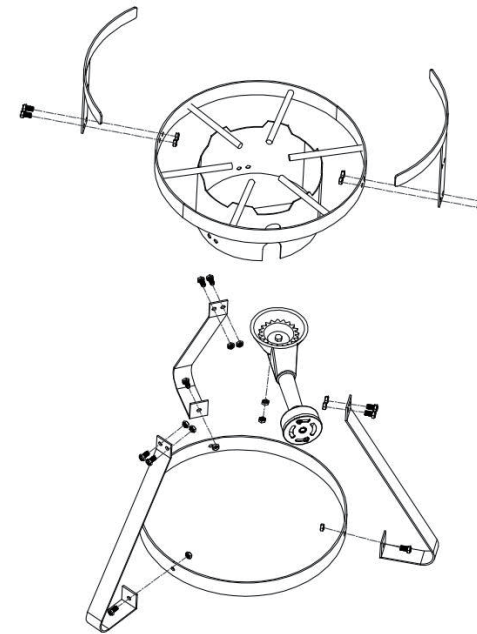
1. DO NOT leave the propane tank attached to the stove during storage or transport.
2. Wipe the burners, steel cooking grate, and propane hose before storing.
3. It is suggested to store stove and hose in a nylon storage bag to keep them clean.



1. The area where the cooker will be used must be kept clear and free from combustible materials, gasoline, and other flammable vapors and liquids. Before each use of the cooker, inspect and remove any combustible items.
2. The flow of combustion and ventilation of air must not be obstructed. The cooker must be set in an open area with 10 ft. (3.05m) of space on all sides and no roof or overhang overhead. Check the location and placement of the cooker before each use.
3. Before each use of the appliance, check the burner/venturi tube for insects, insect nests, and other obstructions. A clogged tube can lead to a fire beneath the appliance.
4. Follow all Lighting Instructions on pages 6-7 each time the cooker is used. Check the flame for proper color and appearance. The flame should burn predominantly blue. If a strong yellow flame is present, this could indicate an obstruction in the burner or ventilation tube. If there is any obstruction or a yellow flame and the air shutter adjustment has not solved the problem, turn off the cooker and allow time for it to cool. Disconnect the hose from the cooker. Remove the air shutter using a Phillips head screwdriver. Check the venturi tube with a flashlight to see if there is a blockage. If a blockage is present, use a wire, such as a coat hanger, to slide into the venturi tube to remove the blockage. Reattach the air shutter to the venturi tube using the Phillips screwdriver. Assemble and light the cooker again as per the instruction manual.
5. Always use the LP Hose/Regulator assembly supplied with the appliance. Before each use of the appliance, check the LP Hose for evidence of abrasion, wear, cuts, or leaks. If there is any damage to the hose, the hose/regulator assembly must be replaced before using the appliance.



FRAME ASSEMBLY

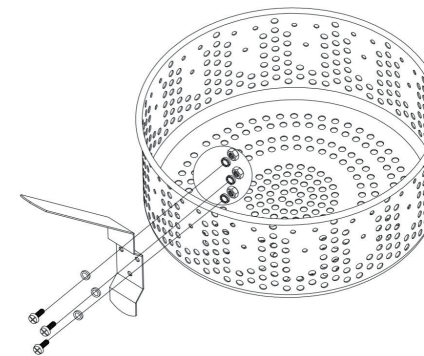


- (1) Attach three legs to the wind-shield of the top frame with six bolts and nuts.
- (2) Attach 3 legs to the bottom ring with 3 pieces of bolts and nuts.
- (3) Attach two adjustable side pot holders to the top frame with four bolts and nuts.
- (4) Unscrew the pre-assembled lock nut and flange nut from the threaded pin of the cast iron burner, then insert the threaded pin of the burner through the hole of the support bar of the top frame, wrench, and tighten the flange nut and lock nut.

Required Tools: Adjustable Wrench and Screwdriver

***Make sure all hardware is used and the wrench is tightened.**

BASKET ASSEMBLY



Insert the M5 Bolts and flat washer through the Basket Handle and Basket, and tighten 3 Nuts with 3 Tooth Washers.

**FOR OUTDOOR USE ONLY**

1. Read and follow all instructions.
2. When used in an enclosed area, allow for ample ventilation.
3. Do not expose the propane source to excessive heat.
4. Always inspect the stove, propane source, and connectors for damage, debris, or dirt before attaching the cylinder to the stove.
5. Always attach/detach the propane source away from any open flame or pilot light, and only after the stove has cooled.
6. Always inspect the burner holes for obstructions prior to operation. Do not operate if any blockage is found.
7. Do not use or operate if either the stove or propane source is found to be damaged.
8. Always disconnect the propane source when not in use and/or transporting. Store in an upright position and in a cool, well-ventilated area.
9. Be sure to tightly secure all connections to the propane cylinder prior to usage.
10. Absolutely never operate the stove near any flammable liquids or vapors, and keep all flammable or combustible materials.
11. Discontinue operation and close the valve if:
 - Ambient temperature drops below -10°F (-23°C).
 - There is no fuel remaining in the propane cylinder.
 - Lighting cannot be performed quickly and easily.
 - Combustion becomes unstable or there are repeated flame-outs.
12. Absolutely do not use it as a space heater, for illumination, or in a tent.
13. Keep it out of the reach of children.

WARNING

- Supply plenty of fresh air when using the camp stove. Do not obstruct the flow of combustion air or ventilation air.
- Do not use it as a space heater.
- Stoves produce heat. Keep the stove away from burnable materials. Do not place the stove any closer than 24" to combustibles.
- Use a flat, level support surface where the stove is safe from accidental tipping.
- Use only with propane fuel tanks.
- Use only the regulator included with your stove. Do not attempt to alter.

CAUTION

- PROPANE FUEL IS HIGHLY FLAMMABLE AND UNDER PRESSURE.
- Do not store at temperatures over 120°F.
- Never use a flame to check for leaks. Use soapy water.
- Keep it out of the reach of children at all times.

FOR YOUR SAFETY

Do not store or use gasoline or other liquids with flammable vapors in the vicinity of this or any other appliance.

IF YOU SMELL GAS:

1. Do Not attempt to light an appliance.
2. Extinguish any open flame.
3. Disconnect from the fuel supply.

CARBON MONOXIDE HAZARD

This appliance can produce carbon monoxide, which has no odor. Using it in an enclosed space can kill you.

Never use this appliance in an enclosed space, such as a camper, tent, car, or home.



The VIVOHOME warranty program is our commitment to you. We are committed to providing you with a high-quality product that meets your needs and expectations. To demonstrate our confidence in the durability and performance of our products, we offer the following warranty.

WARRANTY COVERAGE

This warranty program applies to any orders, purchases, receipts, or use of any products sold by VIVOHOME and is valid for a period of 1 year from the date of purchase. However, please note that this warranty period is only valid for the original order. If you receive a replacement order during the warranty period, it will not include a separate warranty period.

WARRANTY EXCLUSIONS

This warranty does not cover damage resulting from misuse, accident, unauthorized modification, or any other circumstances not directly related to the manufacturing and design of the product, including but not limited to:

- Parts lost during use.
- Normal wear and tear of products or parts.
- Incorrect installation (such as using the wrong voltage) or assembly.
- Exceeding the bearing capacity of the product.
- Use under extremely harsh conditions.



- Improper cleaning or maintenance.
- Damage caused by any reason other than the intended use of the product.
- Indirect loss or damage caused by the product.

HOW TO MAKE A WARRANTY CLAIM

If you find any defects that affect the use of the product or if the product stops working and cannot be repaired during the warranty period, please contact our customer service team at our email or via Amazon & app's direct messaging service as soon as possible. Provide the following information to expedite the process:

- Order number
- Images and/or videos illustrating the issue
- A detailed description of the problem

VIVOHOME will provide technical support, replacement, refund, or other solutions based on the nature of the issue. If you wish to return the original package for any reason, please contact us for confirmation before proceeding. You can expect to receive a response within 48 hours.

Thank you for choosing VIVOHOME. We are committed to ensuring the quality and satisfaction of your purchase. If you have any questions or need assistance, please do not hesitate to contact our customer service team.