

**SENCOR®**

**Let's live!**

**HEAVY-DUTY  
BLUETOOTH SPEAKER  
SSS 1250**

**USER'S MANUAL  
EN**





## Table of Contents

Safety instructions.....	2
Included contents.....	4
Description of the BT speaker .....	4
Putting into operation .....	5
LED indicator.....	5
Pairing devices via Bluetooth .....	5
Audio AUX IN .....	6
USB output.....	6
Microphone input.....	6
Play/Pause button.....	6
Volume control .....	7
Charging.....	7
Water and dust resistance (IPX7) .....	7
Technical specifications.....	9
INSTRUCTIONS AND INFORMATION ABOUT THE DISPOSAL OF DISCARDED PACKAGE.....	10
DISPOSAL OF DISCARDED ELECTRICAL AND ELECTRONIC EQUIPMENT .....	10

## Safety Instructions

This product has been designed with the utmost safety in mind.

However, incorrect use may lead to electric shock or fire. This is why users should observe the following instructions when using this device.

This device uses a semiconductor unit and contains no user serviceable parts. Do not disassemble this device, otherwise you are exposed to the risk of electric shock. If any damage to this product occurs, please have this product repaired by a qualified service technician.

### Power source

Power supply of this unit must be match the serial plate data.

### Heat source

Keep this unit out of heat sources like stove or direct sunlight.

### Cleaning

Prior to cleaning, please disconnect power first. For cleaning, don't use liquid detergents or caustic liquids - just clean the unit with a soft cloth.

### Heavy objects

Do not place heavy objects on the unit, otherwise damage might occur.

### Connecting other devices

Before connecting other devices to this unit, please make sure to disconnect power. Otherwise damage to the unit or personal injury might occur.

### Faults to be repaired

If any of the following problems occurs, please disconnect power to the unit and contact a qualified service technician.

- A. Power cord or plug is damaged.
- B. Liquids or other foreign objects have penetrated inside the product.
- C. If the unit does not work even if it's being operated according to the instructions, don't press any buttons other than those described in these instructions. Otherwise, damage to this unit may occur along with a more demanding repair.
- D. This unit has fallen on the ground from a big height.
- E. Burns can be smelled from the product inside.

### Maintenance

If you don't have enough technical knowledge necessary to maintain this unit, don't attempt to repair it by yourself. By removing cover, you are exposed to a risk of electric shock. If needed, please contact a qualified service technician.

**Replacement of parts**

If you need to replace any part of this unit, ask your service technician to make a replacement for equal spare part models. If other spare part models are used for replacement, serious damage, electric shock or shortening the unit's lifetime may occur.

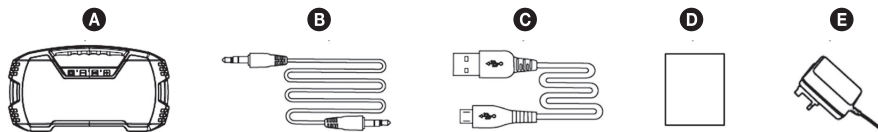
**Safety check**

When done with the maintenance, ask your service technician to perform an on-site safety check to make sure that the unit's operation is safe.

**Note:**

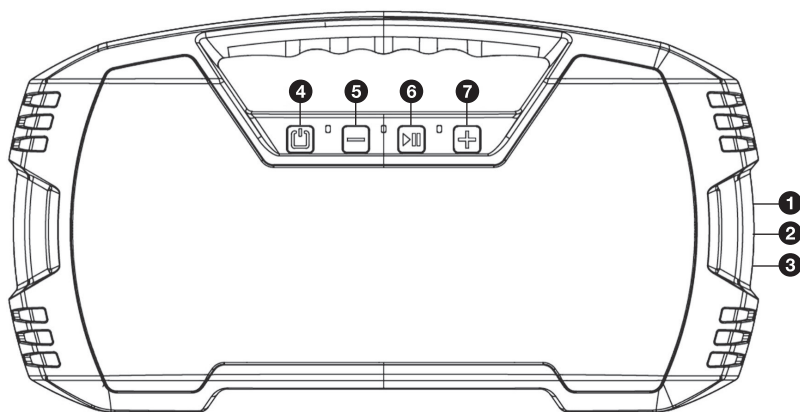
Before using this product, read these instructions carefully and keep it well for future use.

## Supply content



- A** BT speaker
- B** 3.5 mm audio jack
- C** Micro USB charging cable
- D** User's manual
- E** Charging adapter

## Description of the BT speaker



- 1** USB
- 2** Socket for audio AUX IN mini jack (3.5 mm)
- 3** Charging socket (micro USB)
- 4** Power On button
- 5** „-“ / Play previous button
- 6** Play/Pause
- 7** „+“ / Play next button

## Putting into operation

Before first use, be sure to read the safety instructions contained in this user's manual carefully.

During first use, connect the power adapter to the power grid and to the charging socket (No. 3 in figure "description of the BT speaker"). Hold down the power button (No. 6) to turn on the BT speaker. Turning on/off is indicated by a sound signal. To turn the BT speaker off, hold down the power On button (No. 4).

**Attention:**

After a longer period of inactivity, the appliance will turn itself off.

## LED indicator

The LED indicator shows the following states of the BT speaker:

- Blinking blue - the unit is ready to be paired via Bluetooth and the source of the audio signal is not connected
- Solid blue - the BT speaker is paired with another device via Bluetooth
- Solid red between No. 5 and 6 buttons - the battery is being charged
- Blinking red between No. 5 and 6 buttons - low battery
- Solid red between No. 6 and 7 buttons - the unit is connected to another device using an audio cable

## Pairing devices via Bluetooth

Turn on the BT speaker and search for its Bluetooth name "SSS1250" in the device to which you wish to pair and start the pairing process. If you are requested to enter a pairing code while your device and the BT speaker are pairing, use the code: "0000".

**Note:**

To ensure a stable Bluetooth connection, make sure that the distance between the BT speaker and your connected device is kept within 10m.

**Attention:**

Some connected devices support common volume setting. If some of the connected devices do not support this feature, the volume setting will operate separately on each device.

## Audio AUX IN

The BT speaker is equipped with a 3.5 mm jack (No. 2 in figure "description of the BT speaker"). Your device can be connected to the BT speaker via the supplied audio cable. First connect the audio connector to your appliance and then into the socket in the BT speaker.

**Attention:**

Before connecting your device to the BT speaker, ensure that the output signal from your device is at its minimum level (minimum output volume). This will prevent the BT speaker from damaging.

## USB output

The USB port in figure No.1 is designed to charge mobile devices. Thus, the BT speaker can be used as a charging station. The function to charge another device cannot be used unless the BT speaker's batteries are charged.

## Play/Pause button

- Press the BT button (No. 6 in the figure "description of the BT speaker") to start or stop music playback during a Bluetooth connection. Press and hold the Play/Pause button to disconnect the Bluetooth connected device.
- The incoming call to a Bluetooth connected paired device will be accompanied by an acoustic signal which will interrupt the music being played back. To answer/hang up the incoming call, press the Play/Pause button briefly.

## Volume dial

The volume of the BT speaker (-/+ ) is set with No. 5 and 7 buttons in figure "description of the BT speaker".

## Charging

A charged battery provides power for several hours of operation at normal volume levels. A high volume consumes more battery power; therefore, we recommend listening at normal volume levels.

To charge the BT speaker, connect the charging adapter to a power socket and then to the BT speaker.



### Attention:

For charging, use only the original accessories supplied with the appliance. To achieve the maximum battery lifetime, it is best to start charging the battery after the low battery power notification by the LED indicator. Charge continuously until fully charged. When the battery operating time becomes very short, the battery lifetime has been used up; we recommend that you have the battery replaced at your authorized centre.

### Recommendation:

If the unit is not to be used for an extended period of time, we recommend to fully charge the battery once every two to three months. We do not recommend storing the unit with a flat battery to prevent irreparable damage to the battery (loss of capacity).

## Water and dust resistance (IPX7)

The unit is resistant against dust and water, thus allowing you to listen to your music in bath, shower, on the beach or by the pool. The dust protection is defined by the value of 6 which guarantees the resistance against the ingress of dust particles into the unit. If dust gets behind the cover grid, blow it out carefully. Take care not to damage the speaker parts. IPx7 water resistance guarantees the unit's function with slight splashing or immersing in water 1 m deep for up to 30 minutes. Full immersion is not recommended because of possible loss of the audio playback signal.



**Attention:**

Remember to always seal the BT speaker's input with original blind plugs (No.1-3 in figure "description of the BT speaker") and make sure the plugs are not damaged. Never charge the unit during possible contact with fluids. The unit is designed for contact with clean water only without any additives. Avoid exposing the unit to contaminated or industrially treated fluids (such as lemonade, sea/salt water, oils, etc.).

## Technical specification

The construction is resistant against water and dust with IPX7 protection class.

Amplifier class: D ( for rich sound with minimum energy consumption)

Built-in rechargeable battery

### Sound:

Output power: 25 W (impedance: 4  $\Omega$ )

Frequency response: 180 Hz-18 kHz

Total harmonic distortion:  $\leq 1\%$

2 speakers + 2 passive radiators

### Inputs:

Bluetooth Audio 4.1

Connection distance: up to 15 m

External audio input (AUX) (3.5 mm stereo connector)

### Other:

1A USB charging

Handsfree feature

Built-in battery: 7200 mAh Li-Ion

Playback time: approx. 20 hours

Micro USB charging

Max. charging time: 4 hours

Accessories: USB charging cable, adapter, 3.5 mm external cable (AUX), user's manual

Dimensions: 155 x 335 x 108 mm

Weight: 1,730 g

USB charging (5V/min. 500 mA)

Dimensions: 241 x 138 x 72 mm

Weight: 0.9 kg

## INSTRUCTIONS AND INFORMATION REGARDING THE DISPOSAL OF USED PACKAGING MATERIALS

Dispose of packaging material at a public waste disposal site.

## DISPOSAL OF USED ELECTRICAL AND ELECTRONIC APPLIANCES



The meaning of the symbol on the product, its accessory or packaging indicates that this product shall not be treated as household waste. Please, dispose of this product at your applicable collection point for the recycling of electrical & electronic equipment waste. Alternatively in some states of the European Union or other European states you may return your products to your local retailer when buying an equivalent new product. The correct disposal of this product will help save valuable natural resources and help in preventing the potential negative impact on the environment and human health, which could be caused as a result of improper liquidation of waste. Please ask your local authorities or the nearest waste collection centre for further details. The improper disposal of this type of waste may fall subject to national regulations for fines.

### For business entities in the European Union

If you wish to dispose of an electrical or electronic device, request the necessary information from your seller or supplier.

### Disposal in other countries outside the European Union

If you wish to dispose of this product, request the necessary information about the correct disposal method from local government departments or from your seller.



The product meets EU requirements.

Hereby, FAST ČR, a.s. declares that the radio equipment type SSS 1250 is in compliance with Directive 2014/53/EU.

The full text of the EU declaration of conformity is available at the following internet address: [www.sencor.eu](http://www.sencor.eu)

Changes in the text, design and technical specifications may be made without prior notice and we reserve the right to make such changes.

The original version is in the Czech language.

Address of the manufacturer: FAST ČR, a.s., Černokostelecká 1621, Říčany CZ-251 01

# SENCOR®

## EN Warranty conditions

**Warranty card is not a part of the device packaging.**

This product is warranted for the period of 24 months from the date of purchase to the end-user. Warranty is limited to the following conditions. Warranty is referred only to the customer goods using for common domestic use. The claim for service can be applied either at dealer's shop where the product was bought, or at below mentioned authorized service shops. The end-user is obligated to set up a claim immediately when the defects appeared but only till the end of warranty period. The end user is obligated to cooperate to certify the claiming defects. Only completed and clean (according to hygienic standards) product will be accepted. In case of eligible warranty claim the warranty period will be prolonged by the period from the date of claim application till the date of taking over the product by end-user, or the date the end-user is obligated to take it over. To obtain the service under this warranty, end-user is obligated to certify his claim with duly completed following documents: receipt, certificate of warranty, certificate of installation.

### **This warranty is void especially if apply as follows:**

- Defects which were put on sale.
- Wear-out or damage caused by common use.
- The product was damaged by unprofessional or wrong installation, used in contrary to the applicable instruction manual, used in contrary to legal enactment and common process of use or used for another purpose which has been designed for.
- The product was damaged by uncared-for or insufficient maintenance.
- The product was damaged by dirt, accident of force majeure (natural disaster, fire, and flood).
- Defects on functionality caused by low duality of signal, electromagnetic field interference etc.
- The product was mechanically damaged (e.g. broken button, fall).
- Damage caused by use of unsuitable media, fillings, expendable supplies (batteries) or by unsuitable working conditions (e.g. high temperatures, high humidity, quakes).
- Repair, modification or other failure action to the product by unauthorized person.
- End-user did not prove enough his right to claim (time and place of purchase).
- Data on presented documents differs from data on products.
- Cases when the claiming product cannot be indentified according to the presented documents (e.g. the serial number or the warranty seal has been damaged).

### **Authorized service centers**

Visit [www.sencor.eu](http://www.sencor.eu) for detailed information about authorized service centers.

## Notes