



# USER MANUAL

MODELS S4000 • S5000 • S6000 • S7000

# TABLE OF CONTENTS

<b>1. WHAT'S IN THE BOX</b> .....	<b>1</b>
<b>2. WELCOME TO FAST ACCESS BIOMETRICS</b> .....	<b>2</b>
<b>3. QUICK START GUIDE</b> .....	<b>2</b>
3.1 Buttons and Features .....	<b>2</b>
3.2 Installing Batteries .....	<b>4</b>
3.3 Enrolling Your Fingerprints .....	<b>4</b>
3.4 Proper Fingerprint Enrollment .....	<b>4</b>
3.5 Opening/Closing Your Safe .....	<b>6</b>
<b>4. SETTINGS MENU</b> .....	<b>7</b>
4.1 Accessing the Settings Menu .....	<b>7</b>
4.2 Navigating Settings .....	<b>8</b>
4.3 Exiting Settings .....	<b>8</b>
4.4 Settings Menu Options .....	<b>9</b>
<b>5. USER MANAGEMENT</b> .....	<b>10</b>
5.1 User Privileges: Administrator vs. Standard User .....	<b>10</b>
5.2 Understanding Users vs. Fingerprints .....	<b>10</b>
5.3 Maximum Number of Users/Fingerprints .....	<b>11</b>
5.4 Adding Users/Fingerprints .....	<b>12</b>
5.5 Deleting Users/Fingerprints .....	<b>15</b>
5.6 Customizing Username(s) .....	<b>16</b>

<b>6. LIGHTING</b>	<b>17</b>
6.1 Internal LED	17
6.2 LCD Backlight	18
<b>7. AUTOLOCK</b>	<b>20</b>
7.1 Disabling/Enabling AutoLock	20
<b>8. SELF-DIAGNOSTICS</b>	<b>20</b>
<b>9. BATTERY MANAGEMENT</b>	<b>21</b>
<b>10. NOTIFICATIONS</b>	<b>21</b>
10.1 Clearing Tamper Alert Notifications	24
10.2 Using Snooze	24
10.3 Open Door Alert	24
<b>11. AUDIO</b>	<b>25</b>
<b>12. SYSTEM LOGS</b>	<b>26</b>
12.1 Access Logs	26
12.2 Event Logs	27
12.3 Viewing Log Entries	27
<b>13. FACTORY RESET</b>	<b>28</b>
13.1 Performing a Factory Reset with a Fingerprint	28
13.2 Performing a Factory Reset with a Backup Key	28
<b>14. MOUNTING</b>	<b>29</b>

<b>15. LONG GUN CONFIGURATIONS (S7000 ONLY)</b> .....	<b>30</b>
15.1 Customizing the Gun Rack System .....	<b>30</b>
15.2 Adjusting Shelf Height .....	<b>32</b>
15.3 Slots and Butt Stock Clearance .....	<b>32</b>
15.4 Storing a Long-Barreled Gun .....	<b>33</b>
15.5 ARs and AKs with Magazines .....	<b>33</b>
<b>16. CARE AND MAINTENANCE</b> .....	<b>35</b>
<b>17. BACKUP ACCESS</b> .....	<b>35</b>
17.1 Using Backup Keys .....	<b>36</b>
<b>18. FREQUENTLY ASKED QUESTIONS</b> .....	<b>37</b>
<b>19. TROUBLESHOOTING</b> .....	<b>38</b>
<b>20. SPECIFICATIONS</b> .....	<b>41</b>
<b>21. WARRANTY</b> .....	<b>42</b>
<b>22. CUSTOMER SUPPORT</b> .....	<b>44</b>

## 1. WHAT'S IN THE BOX

- (1) Verifi Smart.Safe.®
- (1) Quick Start Guide
- (1) User Manual
- (2) Backup keys
- (1) Fingerprint sensor cleaning cloth
- (4) AA batteries (models S4000, S5000, S6000) or (4) C batteries (model S7000)
- (1) #1 Phillips-head screwdriver / 3mm Allen wrench combo tool
- (1) Mounting hardware kit

**WARNING! DO NOT LOCK YOUR BACKUP KEYS IN YOUR SAFE. KEEP THEM IN ANOTHER SECURED LOCATION.**

## 2. WELCOME TO FAST-ACCESS BIOMETRICS

The heart of any biometric safe is its fingerprint sensor. That's why we've designed your Verifi Smart.Safe.® with the best, most reliable sensor for fast access you can depend on: the TouchChip TCS1 capacitive fingerprint sensor.

The TouchChip TCS1 sensor has been tested and certified by the FBI to meet the Next Generation Identification (NGI) standard for fingerprint image quality. It scans at a high resolution of 508 dots-per-inch to help capture more of the minute details in your fingerprints, and to enhance the performance of the fingerprint recognition system.

The TouchChip TCS1 sensor works below the surface of your skin to give you the best fingerprint image, even if your fingerprints are damaged or dirty.

Unlike 2D *optical* sensors that may be fooled by a photocopy of a fingerprint, the TouchChip TCS1 sensor in your Verifi Smart.Safe.® is a 3D *capacitive* sensor that interacts with living tissue to detect the features of a fingerprint. It's *secure*, *fast* and *reliable* when seconds count.

## 3. QUICK START GUIDE

### 3.1 Buttons and Features

- A** LCD Screen
- B** Fingerprint Sensor
- C** Start/Enter Button
- D** Door Handle
- E** Battery Compartment
- F** Settings/Scroll Button

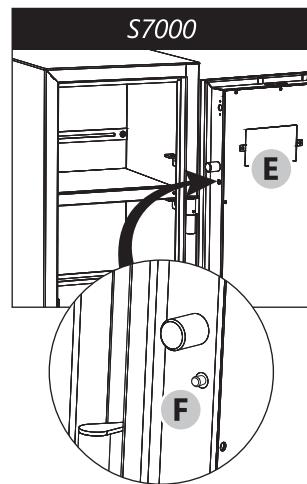
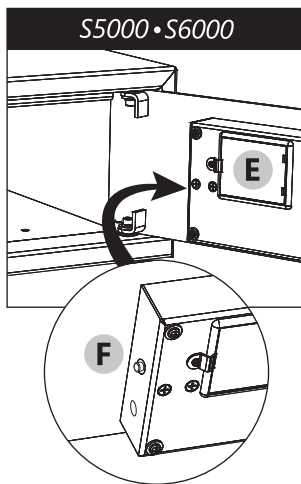
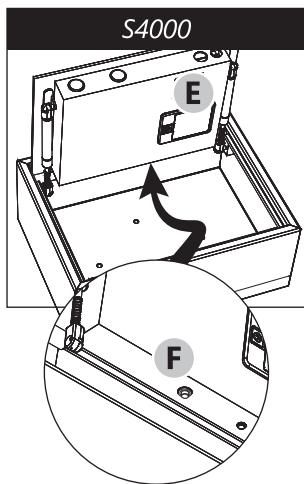
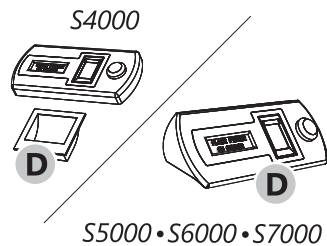
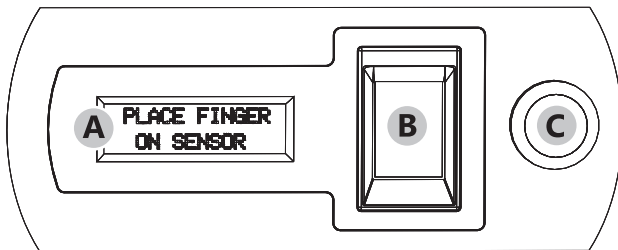


Figure 1 - Buttons and Features

## 3.2 Installing Batteries

- 1 Remove Battery Compartment **(E)** {page 2} cover using the screwdriver provided with your safe.
- 2 Insert four (4) batteries.

**Note:** LCD will illuminate indicating batteries have been correctly installed.

- 3 Replace Battery Compartment cover.

## 3.3 Enrolling Your Fingerprints

- 1 Press Settings/Scroll Button **(F)** {page 2}.

**Note:** LCD will display a welcome message.

- 2 Press Start/Enter Button **(C)** {page 2} to continue.
- 3 Follow on-screen enrollment wizard to complete setup.

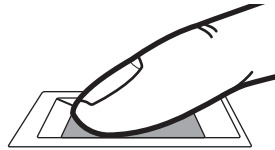
## 3.4 Proper Fingerprint Enrollment

When prompted to place your finger on the Fingerprint Sensor **(B)** {page 2}, be sure to keep your finger **FLAT AND FIRM**.

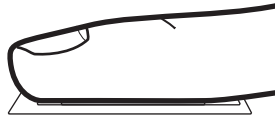
Multiple images are needed to create a high-quality enrollment, so be sure to use the same finger when prompted to **PLACE FINGER**.

**Note:** Additional fingers can be added to an existing user later through the Settings Menu. See Adding Fingerprints to an Existing User on page 13.

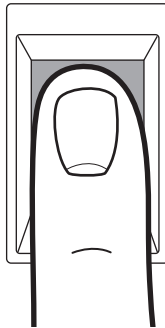
**✗**  
**NOT FLAT**



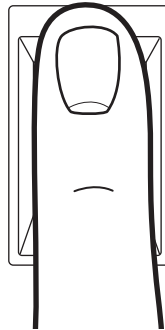
**✓**  
**PERFECT!**



**✗**  
**TOO LOW**



**✓**  
**PERFECT!**



*Figure 2 - Proper Fingerprint Enrollment*

### 3.5 Opening/Closing Your Safe

#### TO OPEN/UNLOCK

- 1 Press Start/Enter Button **(C)** {page 2} to wake up safe.
- 2 Place enrolled fingerprint flat and firm on Fingerprint Sensor **(B)** {page 2}.
- 3 Fingerprint will be verified and safe will unlock.
- 4 Pull Door Handle **(D)** {page 2} to open door.

#### TO CLOSE/LOCK

- 1 Push door closed.
- 2 AutoLock feature will lock safe.

**Note:** AutoLock can be disabled through the Settings Menu. See *Disabling/Enabling AutoLock on page 20* for instructions.

## 4. SETTINGS MENU

To manage users, modify preferences, view logs and more, you need administrator privileges to access your safe's Settings Menu.

**Note:** *The first user/fingerprint enrolled during your safe's initial setup has administrator privileges by default.*

### 4.1 Accessing the Settings Menu

- 1 Unlock and open safe with an enrolled fingerprint.
- 2 Press Settings/Scroll Button **(F)** {page 2}.
- 3 LCD will read:

PLACE FINGER  
to Continue

- 4 Place an enrolled administrator's fingerprint on Fingerprint Sensor **(B)** {page 2}.

**Note:** *If you are accessing the Settings Menu for the first time, you will be shown a brief, one-time tutorial on how to navigate the menu.*

- 5 Press Settings/Scroll Button again to enter Settings Menu.

## 4.2 Navigating Settings

Both the Start/Enter Button **(C)** {page 2} and the Settings/Scroll Button **(F)** {page 2} are used to navigate the Settings Menu.

- The Start/Enter Button is used to select the item at the top of the menu next to the cursor.
- The Settings/Scroll Button is used to navigate to the next menu item.

**Note:** Selecting **–BACK–** will take you back to the previous menu.

**Note:** While navigating the Settings Menu, be sure to keep your safe's door open.

## 4.3 Exiting Settings

Select **EXIT** to close the Settings Menu or, if AutoLock is enabled, just close the door. The Settings Menu will time-out and the door will lock.

**Note:** Depending on where you are in the menu, it may take several seconds for the Settings Menu to time-out and for the door to lock once the door is closed.

## 4.4 Settings Menu Options

### 1. USER MANAGER

1. ADD NEW USER
2. EDIT USER1
  - ADD A FINGER
  - EDIT USER NAME
  - USER PRIVILEGES
  - DELETE USER1
  - BACK-----
  - EXIT-----
  - BACK-----

### 2. INSIDE LIGHT

1. DURATION
  - ON-SHORT
  - ON-LONG
  - OFF
  - BACK-----
2. INTENSITY
  - BRIGHT
  - NORMAL
  - NITE-LITE
  - NITE-LITE+
  - BACK-----
  - BACK-----

### 3. LCD LIGHT

- BRIGHT
- NORMAL
- DIM
- SUPER DIM
- OFF
- BACK-----

### 4. AUDIO

- FULL AUDIO
- ALARMS&ALERTS
- ALARMS ONLY
- MUTE
- BACK-----

### 5. DOOROPEN ALRT

- 3 MINUTES
- 10 MINUTES
- 60 MINUTES
- OFF
- BACK-----

### 6. AUTO LOCK

- ON
- OFF
- BACK-----

### 7. BATTERY LEVEL

### 8. SYSTEM LOGS

- ACCESS LOG
- EVENT LOG
- BACK-----

### 9. ABOUT

### 10. FACTORY MENU

- FACTORY RESET
- FIRMWARE UPGRD
- BACK-----
- EXIT-----

## 5. USER MANAGEMENT

When setting up your safe for the first time, you will be asked to enroll a fingerprint. The fingerprint you enroll will belong to *User1* who will have administrative privileges by default. Additional users are given standard privileges by default.

### 5.1 User Privileges: Administrator vs. Standard User

Both administrators and standard users can open and close your safe. Only administrators may access and modify settings. Administrators may grant/ revoke administrator privileges to other users.

### 5.2 Understanding Users vs. Fingerprints

Enrolled fingerprints are grouped together as users.

After the initial setup of your safe, you have two options when enrolling additional fingerprints:

- Create a *new* user and enroll their fingerprints
- Add new fingerprints to an *existing* user

**Note:** *Up to four fingerprints can be enrolled per user.*

**Note:** *Fingerprints added to an existing user inherit that user's privileges.*

In the following example, John is a user with administrator privileges. He currently has three fingerprints enrolled and can add one more. Heather is a standard user with only two fingerprints enrolled. She can add two more fingerprints to her user but will need to contact John (the administrator) for assistance.

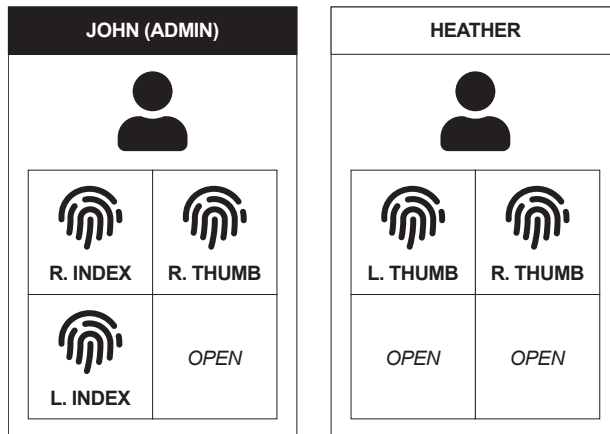


Figure 3 - Example of Users and Fingerprints

**WARNING! WE STRONGLY RECOMMEND ENROLLING AT LEAST TWO DIFFERENT FINGERPRINTS PER USER IN THE EVENT ONE IS DAMAGED AND BECOMES UNRECOGNIZABLE TO THE FINGERPRINT MATCHING SYSTEM.**

### 5.3 Maximum Number of Users/Fingerprints

Up to 40 total fingerprints can be stored in your safe. The number of possible users is only limited by the number of fingerprints enrolled.

Examples:

- 40 users with one fingerprint each
- 10 users with up to four fingerprints each
- 20 users with two fingerprints each

## 5.4 Adding Users/Fingerprints

### 5.4.1 Adding a New User

- 1 Access the Settings Menu.  
(See *Accessing the Settings Menu* on page 7.)
- 2 Press Start/Enter Button (C) {page 2} to enter **USER MANAGER**.
- 3 Press Start/Enter Button to **ADD NEW USER**.
- 4 Press Start/Enter Button to **CREATE USER**.
- 5 Carefully read and follow on-screen instructions:

During Enroll  
The Smart.Safe.

F.B.I. Certified  
Finger Sensor

Will Need  
Several Images

of Same Finger  
to Analyze

While Enrolling  
Keep Finger Flat

Now We Will  
Practice

PLACE FINGER

- 6 Place finger to enroll on Fingerprint Sensor **(B)** {page 2}.
- 7 Follow on-screen prompts to hold finger still, to lift it off the sensor, and then to place it on the sensor again. You will be instructed to do this several times until practice is complete.

Practice  
Complete

- 8 Your safe is now ready to enroll the new user's fingerprint. Follow on-screen prompts to place-lift-replace finger until fingerprint image is captured 100%.

PLACE FINGER 100%

Successfully  
Enrolled USER

- 9 Your new user has been created and their first fingerprint has been enrolled.

If you would like to customize this new user's name, you can do so at this time. (See *Customizing Username(s)* on page 16 for more information.)

### 5.4.2 Adding Fingerprints to an Existing User

- 1 Access the Settings Menu.  
(See *Accessing the Settings Menu* on page 7.)
- 2 Press Start/Enter Button **(C)** {page 2} to enter **USER MANAGER**.

- 3 Press Settings/Scroll Button (**F**) {page 2} to navigate to user to edit.
- 4 Press Start/Enter Button to edit user.
- 5 Press Start/Enter Button again to **ADD A FINGER**.
- 6 Carefully read and follow on-screen instructions:

Enrolling  
Another Finger

Now We Will  
Practice

PLACE FINGER

- 7 Place finger to enroll on Fingerprint Sensor (**B**) {page 2}.
- 8 Follow on-screen prompts to hold finger still, to lift it off sensor, and then to place it on sensor again. You will be instructed to do this several times until practice is complete.

Practice  
Complete

- 9 Your safe is now ready to enroll an additional fingerprint for the user selected. Follow on-screen prompts to place-lift-replace finger until fingerprint image is captured 100%.

PLACE FINGER 100%

2nd Finger Added  
for USER

- 10 The user's additional fingerprint has been enrolled.

## 5.5 Deleting Users/Fingerprints

Administrators can delete other administrators and standard users but they cannot delete themselves. The deletion of an administrator must be performed by another administrator.

**Note:** Individual fingerprints cannot be deleted. You must delete a user to remove their fingerprints.

### 5.5.1 Deleting a User

- 1 Access the Settings Menu.  
(See *Accessing the Settings Menu* on page 7.)
- 2 Press Start/Enter Button (**C**) {page 2} to enter **USER MANAGER**.
- 3 Press Settings/Scroll Button (**F**) {page 2} to navigate to user to edit/delete.
- 4 Press Start/Enter Button to edit/delete user.
- 5 Press Settings/Scroll Button to navigate to **DELETE USER**.
- 6 Press Start/Enter Button again to delete user.
- 7 LCD will read:

Press Button to  
Delete This User

- 8 Press Start/Enter Button to confirm deletion of user.

## 5.6 Customizing Username(s)

**Note:** Custom usernames can be up to seven characters long.

To customize your username:

- 1 Access the Settings Menu. (See *Accessing the Settings Menu* on page 7.)
- 2 Press the Start/Enter Button **(C)** {page 2} to enter the **USER MANAGER**.
- 3 Press Settings/Scroll Button **(F)** {page 2} to navigate to user to edit.
- 4 Press Start/Enter Button to edit user.
- 5 Press Settings/Scroll Button to navigate to **EDIT USER NAME**.
- 6 Press Start/Enter Button to edit username.
- 7 Enter username:
  - Use Start/Enter Button to cycle characters (letters A-Z; number 0-9; symbols # and -).
  - Use Settings/Scroll Button to advance to next character.
- 8 Once you have input username, press Settings/Scroll Button to navigate to **SAVE**.
- 9 Press Start/Enter Button to **SAVE** username.

**Note:** Usernames are used to identify users when opening your safe and in Access Logs. See *Access Logs* on page 26.

## 6. LIGHTING

### 6.1 Internal LED

Your safe uses an LED lighting system that can be varied in both duration and intensity. Upon unlocking your safe, the internal LED will automatically illuminate for a short period and then turn off to conserve battery life. This light can be re-enabled by pressing the Start/Enter Button (**C**) {page 2}.

#### 6.1.1 Changing Internal LED Options

- 1 Access the Settings Menu.  
(See *Accessing the Settings Menu* on page 7.)
- 2 Press Settings/Scroll Button (**F**) {page 2} to navigate to **2. INSIDE LIGHT**.
- 3 Press Start/Enter Button (**C**) {page 2} to open **2. INSIDE LIGHT** submenu.
- 4 Press Settings/Scroll Button to navigate to **1. DURATION** or **2. INTENSITY**.
- 5 Press Start/Enter Button to open **1. DURATION** or **2. INTENSITY** options.
- 6 Press Settings/Scroll Button to navigate between the following options:

## 1. DURATION

ON-SHORT (approx. 12 seconds; default setting)

ON-LONG (approx. 25 seconds)

OFF

-----BACK-----

## 2. INTENSITY

BRIGHT (expect 20% decrease in battery life)

NORMAL (default setting)

NITE-LITE (expect 20% increase in battery life)

NITE-LITE+ (±20% battery life)

-----BACK-----

**7** Press Start/Enter Button to select desired option.

### 6.1.2 *Nite-Lite and Nite-Lite+*

*Nite-Lite* helps you avoid night blindness when opening your safe in complete darkness while *Nite-Lite+* offers a convenient way to increase this brightness during other appropriate conditions.

With *Nite-Lite+* enabled, press and hold the Start/Enter Button **(C)** {page 2} to increase the brightness of the LED. Release the Start/Enter Button when the LED has reached the desired intensity.

## 6.2 LCD Backlight

The LCD screen backlight can be adjusted for various ambient conditions. For example, in a very bright room, increasing the backlight can enhance the visibility of text on the screen.

## 6.2.1 Changing LCD Backlight Options

**Note:** Changing the intensity of your safe's LCD backlighting will have minimal impact on battery life.

- 1 Access the Settings Menu.  
(See *Accessing the Settings Menu* on page 7.)
- 2 Press Settings/Scroll Button (**F**) {page 2} to navigate to **3. LCD LIGHT**.
- 3 Press Start/Enter Button (**C**) {page 2} to open **3. LCD LIGHT** submenu.
- 4 Press Settings/Scroll Button to navigate between the following options:
  - BRIGHT
  - NORMAL
  - DIM
  - SUPER DIM
  - OFF
- 5 Press the Start/Enter Button to select the desired option.

**Note:** When **LCD LIGHT** is set to **OFF**, it may be difficult to read the LCD in a well-lit room. Be sure to position your eyes directly above the LCD if you're unable to view it from an angle or shine a flashlight on the display.

## 7. AUTOLOCK

For your peace of mind, we have designed your safe to automatically lock when you close the door. This feature is enabled by default but can be turned off by following these steps:

### 7.1 Disabling/Enabling AutoLock

- 1 Access the Settings Menu. (See *Accessing the Settings Menu* on page 7.)
- 2 Press Settings/Scroll Button **(F)** {page 2} to navigate to **6. AUTO LOCK**.
- 3 Press Start/Enter Button **(C)** {page 2} to open **6. AUTO LOCK** submenu.
- 4 Press Settings/Scroll Button to navigate between the following options:
  - ON
  - OFF
- 5 Press Start/Enter Button to select desired option.

**Note:** When AutoLock is set to OFF, the Start/Enter Button must be pressed to lock the safe after the door has been closed.

## 8. SELF-DIAGNOSTICS

Every 24 hours and each time the door is locked, your safe runs a full set of diagnostic tests to ensure its electronics, batteries and mechanical components are in proper working order. This process is completely automatic and does not require any user input.

The pass/fail result of every post-use diagnostic test is displayed on your safe's LCD.

In the unlikely event your safe detects a problem, it will use audio/visual notifications to bring it to your attention. (See *Notifications* on page 21.)

## 9. BATTERY MANAGEMENT

Your safe was designed to operate for several years on one set of four (4) healthy lithium or alkaline batteries under normal use.

A comprehensive test of the batteries is performed once a day. (See previous section for *Self-Diagnostics*.) This test is also performed each time your safe is locked. The results are then displayed on the LCD. For example:



LOCKED  
Batteries: 98%

## 10. NOTIFICATIONS

*Info*, *alerts* and *alarms* are three levels of notifications your safe uses to inform you of its battery level, tamper attempts and more. When a notification is active, your safe will beep intermittently to get your attention.

*Info* notifications will only beep when you interact with the safe. This level of notification is to simply inform you of a mild issue or non-issue interaction.

As notifications become more significant (*alerts* and *alarms*) your safe will increase its aggressiveness to get your attention with more audible beeping.

Notifications such as **DOOR LEFT OPEN** will be cleared automatically when their cause is resolved (e.g. by closing the door). Others (e.g. tamper alerts) must be cleared manually by an enrolled user. See *Clearing Tamper Alert Notifications* on page 24.

NOTIFICATION	ISSUE	RESOLUTION
<b>Info</b>		
INFO: BATTERIES NEAR LOW	Batteries have reached 25% capacity.	Replace with new batteries. (See <i>Installing Batteries</i> on page 4.) Notification will clear automatically.
<b>Alerts</b>		
ALERT: UNAUTH TRY	<b>Tamper Alert:</b> Someone with a fingerprint not enrolled attempted to unlock safe.	Unlock safe with enrolled fingerprint. Press Start/Enter Button (C) {page 2} to read alert. Press Start/Enter Button again to clear.
ALERT: KEY USED	<b>Tamper Alert:</b> Backup key was used to unlock safe. <i>Note: This may have been performed by owner. Alert informs owner if backup key location was compromised.</i>	
ALERT: RESET TRY	<b>Tamper Alert:</b> Settings/Scroll Button (F) {page 2} was pressed while safe remained locked.	
ALERT: DOOR OPEN	Door was left open for several minutes.	
ALERT: LOW BATT	Batteries have reached 15% capacity.	Replace with new batteries. (See <i>Installing Batteries</i> on page 4.) Notification will clear automatically.

NOTIFICATION	ISSUE	RESOLUTION
<b>Alarms</b>		
ALARM: DOOR ERROR	Object may have obstructed locking bolts or possible error with motor and/or switches.	Clear any obstructions from door locking area. Attempt to lock/unlock. If issue resolves, alarm will clear automatically. If issue does not resolve, please contact Zvetco Technical Support. (See <i>Customer Support</i> on page 44.)
ALARM: DOOR OPEN		
ALARM: DOOR JAM	Object may have obstructed locking bolts.	
ALARM: FPR ERROR	Communication error with fingerprint sensor.	Reset safe by removing and replacing batteries. (See <i>Installing Batteries</i> on page 4.) If alarm persists, contact Zvetco Technical Support. (See <i>Customer Support</i> on page 44.)
FINGERPRINT ERROR		
ALARM: BAD BATT	Batteries have reached 8%.	Replace with new batteries. (See <i>Installing Batteries</i> on page 4.) Notification will clear automatically.
SYSTEM GLOBAL TIMEOUT	Errors requiring technical assistance.	Contact Zvetco Technical Support. (See <i>Customer Support</i> on page 44.)
FINGER GLOBAL TIMEOUT		
COMM GLOBAL TIMEOUT		

## 10.1 Clearing Tamper Alert Notifications

- 1 Unlock and open safe with enrolled fingerprint.
- 2 View safe's LCD. After a few seconds, it will read:

Alerts!  
Push to View

- 3 LCD will display name of alert or alarm followed by:  
Push to Clear.
- 4 Press Start/Enter Button **(C)** {page 2} to clear alert/alarm.

**Note:** *If there are multiple active alerts or alarms, continue to press the Start/Enter Button to cycle through and clear each one.*

- 5 Close and lock safe.

## 10.2 Using Snooze

Certain notifications such as, **LOW BATTERY**, can be snoozed for up to three days to temporarily disable beeping. Press the Start/Enter Button **(C)** {page 2} when prompted to snooze.

## 10.3 Open Door Alert

By default, if your safe door remains open for three minutes, you will be alerted to close it. To adjust the delay of this alert or to turn it off completely, follow these steps:

- 1 Access the Settings Menu. (See *Accessing the Settings Menu* on page 7.)

- 2 Press Settings/Scroll Button **(F)** {page 2} to navigate to:  
**5. DOOROPEN ALRT.**
- 3 Press Start/Enter Button **(C)** {page 2} to open  
**5. DOOROPEN ALRT** submenu.
- 4 Press Settings/Scroll Button to navigate between the following options:
  - **3 MIN**
  - **10 MIN**
  - **60 MIN**
  - **OFF**
  - BACK**----
- 5 Press Start/Enter Button to select desired option.

**Note:** If Audio is set to **ALARMS ONLY** or **MUTE**, Door Open Alert will not be audible.

## 11. AUDIO

By default, your safe is set for full audio for all notifications. To change which notifications trigger audible beeps, follow these steps:

- 1 Access the Settings Menu. (See *Accessing the Settings Menu* on page 7.)
- 2 Press Settings/Scroll Button **(F)** {page 2} to navigate to **4. AUDIO**.
- 3 Press Start/Enter Button **(C)** {page 2} to open **4. AUDIO** submenu.
- 4 Press Settings/Scroll Button to navigate between the following options:

- FULL AUDIO
- ALARMS&ALERTS
- ALARMS ONLY
- MUTE
- BACK-----

5 Press the Start/Enter Button to select the desired option.

## 12. SYSTEM LOGS

Your Verifi Smart.Safe.® stores two types of log files: *access* and *event* logs. Logs are timestamped with the amount of time that has elapsed since the log was triggered. The previous 1,000 log entries for each type are stored and viewable by an administrator via the Settings Menu. (See *Settings Menu* on page 7.) Entries are sorted descending by date with the most recent entry listed first.

**Note:** *Logs cannot be manually deleted or edited, except in the case of a full factory reset of the safe. All factory resets are recorded in the event log to allow a permanent record of any factory resets.*

### 12.1 Access Logs

Access logs record each time your safe is accessed by a fingerprint or its backup keys. Each fingerprint access log includes the username under which the fingerprint is enrolled.

## 12.2 Event Logs

Event logs record all system events such as tamper alerts, diagnostic results, system alarms and other miscellaneous events.

## 12.3 Viewing Log Entries

- 1 Access the Settings Menu. (See *Accessing the Settings Menu* on page 7.)
- 2 Press Settings/Scroll Button (**F**) {page 2} to navigate to **8. SYSTEM LOGS**.
- 3 Press Start/Enter Button (**C**) {page 2} to open **8. SYSTEM LOGS** submenu.
- 4 Press Settings/Scroll Button to navigate to **1. ACCESS LOG** or **2. EVENT LOG**.
- 5 Press Start/Enter Button to view list of entries in **1. ACCESS LOG** or **2. EVENT LOG**.
- 6 Press Settings/Scroll Button to scroll to an entry.
- 7 Press Start/Enter Button to view entry.

**Note:** *The time displayed in each log entry indicates the amount of time that has elapsed since the log was triggered.*

## 13. FACTORY RESET

Performing a factory reset of your safe will delete all users, their fingerprint enrollments, and revert all settings to their default values.

**Note:** All factory resets are recorded in the event log to allow a permanent record of any factory resets.

A factory reset can be performed with an administrator's fingerprint or, if you are unable to access your safe with a fingerprint, a backup key can be used.

### 13.1 Performing a Factory Reset with a Fingerprint

- 1 Access the Settings Menu. (See *Accessing the Settings Menu* on page 7.)
- 2 Press Settings/Scroll Button (**F**) {page 2} to navigate to **10. FACTORY MENU**.
- 3 Press Start/Enter Button (**C**) {page 2} to open **10. FACTORY MENU** submenu.
- 4 Press Settings/Scroll Button to navigate to **FACTORY RESET**.
- 5 Press Start/Enter Button to confirm.

### 13.2 Performing a Factory Reset with a Backup Key

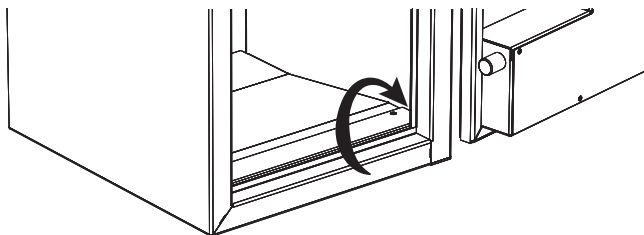
- 1 Unlock safe with backup key and leave key inserted. (See *Backup Access* on page 35.)
- 2 Wait for LCD to time-out and turn off.
- 3 Press and hold Settings/Scroll Button (**F**) {page 2} button for 7 seconds.

- 4 LCD will read **Entering System Menu** and then display two options: **FACTORY RESET** and **FIRMWARE UPGRD.**
- 5 Press Start/Enter Button to enter **FACTORY RESET** submenu.
- 6 Press Start/Enter Button to confirm **START RESET.**
- 7 Without closing door, turn key counter-clockwise when LCD reads: **Use Key to Lock Door.**
- 8 Remove key when LCD reads: **Remove Key.**
- 9 LCD will read: **Factory Reset Complete.**

## 14. MOUNTING

Your safe has been pre-drilled for mounting at the back and/or bottom. Each hole is 8mm in diameter. The included mounting hardware is suited for mounting your safe to wooden surfaces. If you wish to mount your safe to another type of surface, please use appropriate equipment and procedures.

**Note:** For model S7000, the bottom tray must be removed in order to access the floor mounting holes. Place your finger in the recess at the bottom front corner of the safe (see black arrow below) then pull up to remove the tray.



## 15. LONG GUN CONFIGURATIONS (S7000 ONLY)

### 15.1 Customizing the Gun Rack System

Your Verifi Smart.Safe.® S7000 contains a customizable gun rack system to allow flexible storage for up to five long guns.

The system is divided into five height levels and five vertical slots. Each slot has a gun barrel holder that can be adjusted to one of the five height levels.

Height levels 1, 2 and 3 can accommodate the included gun barrel holders or AkroBin® or equivalent storage bins (not included).

Only height levels 4 and 5 can accommodate the included storage shelf, but once the shelf has been removed, they can also accommodate gun barrel holders or storage bins.

To set up the best configuration, place your long gun in the safe. Visually determine which of the height levels best fits the barrel and adjust the gun holder to the height level for that slot.

To adjust the gun barrel holder, use the provided Allen wrench to remove the set screw. Once the screw has been removed, remove the holder and reinstall it at your preferred height level. Be careful not to overtighten the set screw.

**Note:** *The floor of the Verifi Smart.Safe.® S7000 utilizes a slanted tray designed to better retain long guns in the gun rack system.*

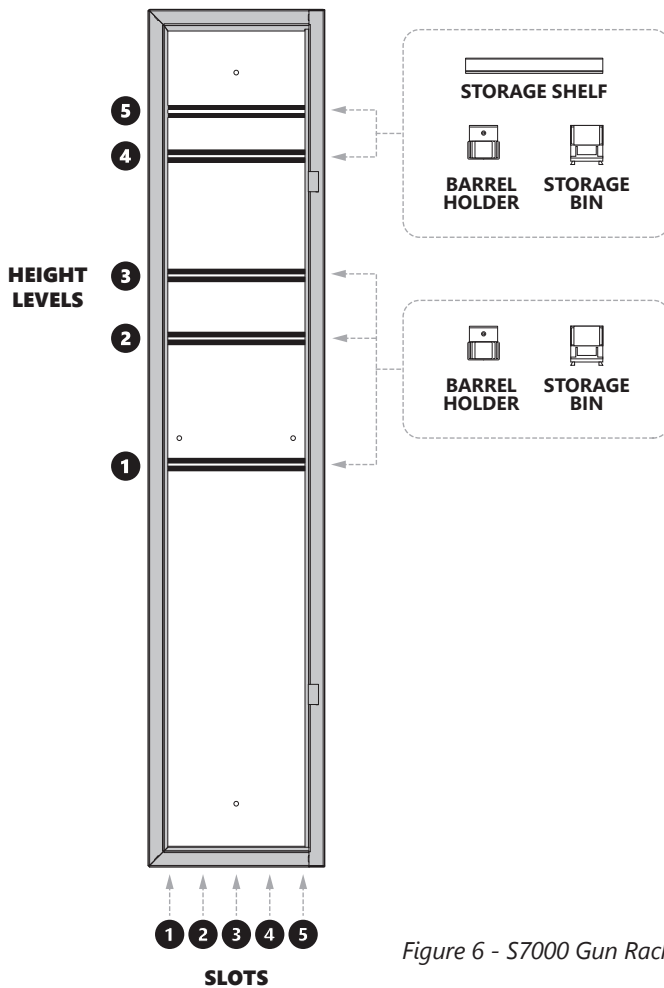


Figure 6 - S7000 Gun Rack System

## 15.2 Adjusting Shelf Height

The storage shelf included in the Verifi Smart.Safe.® S7000 can be installed at height levels 4 or 5 (see *Figure 6 - S7000 Gun Rack System* on page 31) or it can be removed entirely.

When installed in the lower position (level 4), long-barreled guns up to 43.5" in total length can be stored below the shelf. When installed in the upper position (level 5), long guns up to 46.5" can be accommodated.

To adjust the storage shelf, use the included 3mm Allen wrench to remove the two screws on the front of shelf and the one at the back. Reposition the shelf in the new location (level 4 or 5) and reinstall the screws.

SHELF CONFIGURATION	SLOT 1	SLOTS 2-5
Upper Position (Level 5)	up to 52"	up to 46.5"
Lower Position (Level 4 *default)	up to 52"	up to 43.5"
Removed	up to 52"	up to 52"

*Figure 4 - Shelf Configuration and Slot Height*

## 15.3 Slots and Butt Stock Clearance

The bottom of the Verifi Smart.Safe.® S7000 highlights each slot and displays a butt stock clearance line (black line in *Figure 5 - Slots and Butt Stock Clearance*). Use this line each time you place a long gun inside the safe to ensure the door will close and lock without contacting the butt stock.



Figure 5 - Slots and Butt Stock Clearance

## 15.4 Storing a Long-Barreled Gun

The storage shelf has a single hole in alignment with slot 1 to allow for a long-barreled gun up to 52" in total length to be placed in the slot without the need to remove the shelf. (See *Figure 7 - Storage Shelf Hole and Door Clearance for Slots 3 and 4* on the following page.)

To store multiple long guns from 43.5" to 46.5" in total length, raise the storage shelf to the upper position (level 5). Uninstall the shelf to store multiple long guns up to 52".

## 15.5 ARs and AKs with Magazines

The general depth of the Verifi Smart.Safe.® S7000 is 9.9". This enables secure storage of most long guns from 22s to hunting rifles and many more. However, storing AR- and AK-style rifles with magazines attached requires greater depth. The gun rack system is designed to allow rifles with magazines to be stored in slots 3 and 4 with a depth of 11.75".

See *Figure 7 - Storage Shelf Hole and Door Clearance for Slots 3 and 4* on the following page.

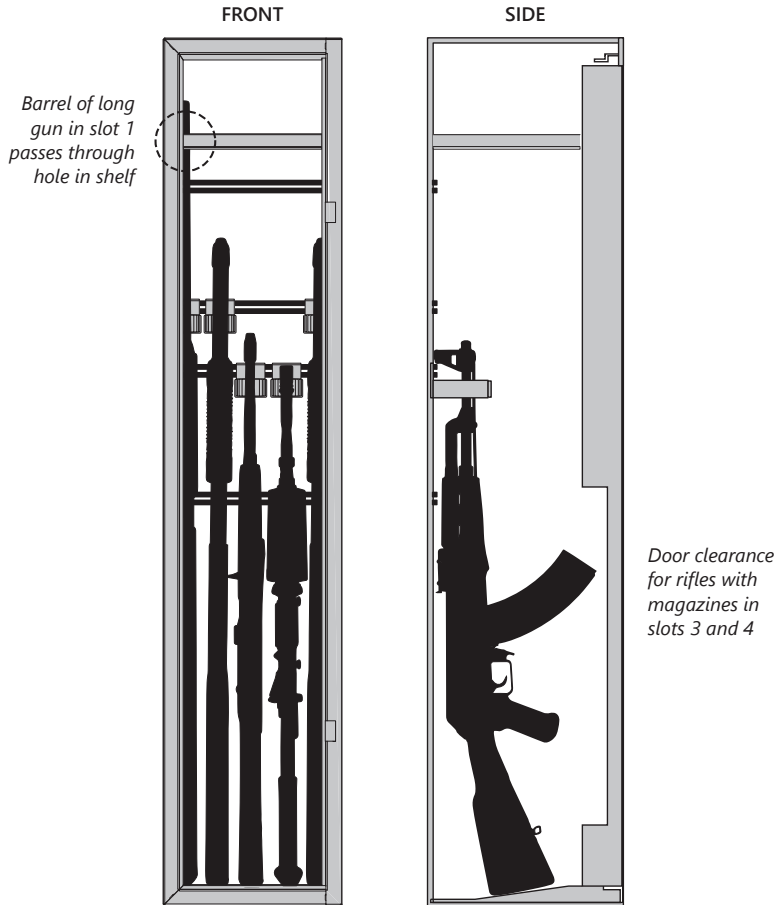


Figure 7 - Storage Shelf Hole and Door Clearance for Slots 3 and 4

## 16. CARE AND MAINTENANCE

Your safe's Fingerprint Sensor **(B)** {page 2} has a silicon surface and should be treated with care. Damage to the fingerprint sensor can cause the sensor to become nonfunctional.

Routine maintenance is not required. However, if the sensor becomes dirty or has residue from previous use, it should be cleaned to prevent reduced performance.

To clean your fingerprint sensor, use only isopropyl alcohol and a microfiber cloth. The sensor should be gently swiped from top to bottom as needed. Do not scrub or apply heavy pressure.

## 17. BACKUP ACCESS

**WARNING! DO NOT LOCK YOUR BACKUP KEYS IN YOUR SAFE. KEEP THEM IN ANOTHER SECURED LOCATION.**

Your safe includes two high-security, crosscut backup keys for manual access in the unlikely event you are unable to unlock it with a fingerprint.

**Note:** Backup keys fit into the keyhole in only one orientation. The half-circle indentation at the base of the key must be facing up before inserting key.

## 17.1 Using Backup Keys

### 1 **For models S4000, S5000 and S6000:**

Remove two of three screws holding Verifi Smart.Safe.® logo plate on top (S4000) or front (S5000 and S6000) of safe.

### **For model S7000:**

Remove one of two screws holding the “S7000 | FBI Certified Sensor” plate on front of safe.

### 2 Rotate plate to expose keyhole.

### 3 Insert backup key into keyhole and turn clockwise.

**Note:** The keyhole has a thin metal disk in front of it that will move with the key. This is a security feature and is normal.

### 4 Pull Door Handle (D) {page 2} to open safe door.

**Note:** After opening your safe with a backup key, the safe must be locked with the key before the key can be removed.

**Note:** If your safe is unlocked with a fingerprint, it cannot be locked with a backup key.

## 18. FREQUENTLY ASKED QUESTIONS

**Q.** *Will replacing my safe's batteries erase my settings or enrollments?*

**A.** No. All of your fingerprint enrollments and settings customizations are stored in your safe's memory and can only be deleted or changed by an administrator or by performing a factory reset.

---

**Q.** *What kind of batteries can I use in my safe?*

**A.** You can use regular alkaline or lithium ion batteries.

---

**Q.** *Can I change the brightness of the LCD?*

**A.** Yes. See *LCD Backlight* on page 18.

---

**Q.** *Can I tether my safe with a security cable?*

**A.** Your safe was designed for mounting to walls and/or floors. Though we do not recommend it, if you choose to use a security cable, be sure to purchase one that will fit through your safe's 8mm mounting holes.

---

**Q.** *My safe's batteries have died. How can I open it?*

**A.** Refer to *Using Backup Keys* on page 36 for instructions. After you have unlocked your safe, be sure replace its batteries as soon as possible.

---

**Q.** *How often do I need to clean my safe's fingerprint sensor?*

**A.** Routine maintenance is not required for your safe's fingerprint sensor. However, if the sensor becomes dirty, it should be cleaned in order to maintain optimal performance. See *Care and Maintenance* on page 35.

---

**Q.** *Why is my safe beeping? How do I stop it?*

**A.** Beeping is indicative of an active notification. It may be a low battery alarm, tamper alert or other notification. Your safe will display any active notifications on its LCD after it has been opened with an enrolled fingerprint. See *Notifications* on page 21.

---

**Q.** *I've misplaced my safe's backup keys or my safe's battery has died with the backup keys locked inside. Can I get a set of replacement keys?*

**A.** For security reasons, Zvetco Biometrics does not store duplicates of backup keys. To receive a new set of keys, your safe will need to be re-keyed with a new lock and matching set of keys. Please contact our Customer Support department for more information. (See *Customer Support* on page 44.)

## 19. TROUBLESHOOTING

*My safe is not locking automatically.*

AutoLock may be disabled in the Settings Menu. Refer to *AutoLock* on page 20 to ensure AutoLock is enabled.

---

*My safe's internal LED light is not turning on when I open the door.*

Review your safe's LED settings to confirm that LED has not been disabled. (See *Changing Internal LED Options* on page 17.)

If Nite-Lite has been enabled, your LED may be too difficult to notice in a brightly lit room. Nite-Lite is specifically engineered to be dim to avoid causing night blindness. Consider selecting Normal or Bright if Nite-Lite is too difficult to view in your environment.

***LCD reads “Fingerprint Timeout” and I’m not able to complete enrollment.***

The enrollment process will timeout with this message if your finger is not detected or if you placed it on the sensor for more than 18 seconds without lifting it. During enrollment, your safe will prompt you to repeatedly lift and place the same finger on the sensor. Be sure to respond promptly to these messages to avoid the setup session timing out.

---

***LCD reads “FPR Error” or “Fingerprint Error” or LCD is unresponsive.***

Your safe’s batteries may have a bad cell or may be running very low. Replace batteries with a new set and try again. (See *Installing Batteries* on page 4.)

---

***My safe does not recognize the fingerprints I’ve enrolled. LCD reads “No Match.”***

While unusual, this may happen if your finger has significantly changed characteristics due to damage or other causes. This can also indicate a weak fingerprint enrollment.

**Note:** Enrolling alternate fingers allows access to your safe in the event your primary finger becomes heavily damaged.

You can factory reset the safe and start over with a new initial enrollment (see *Factory Reset* on page 28), enroll new fingerprints under your existing user or create a new user. (See *Adding Users/Fingerprints* on page 12.)

---

***LCD is not lighting up or I accidentally turned off my LCD backlight and can no longer read the display.***

If the LCD’s backlight has been turned off, shining a flashlight on the display will allow you to read its text and navigate through the settings so you can turn it back on. (See *Changing LCD Backlight Options* on page 19.)

---

**Note:** If your LCD's backlight is not turned off but is still not displaying text, replace your safe's batteries. See *Installing Batteries* on page 4.

***My safe's LCD says "Door Jam" and I am unable to open it with my fingerprint.***

Open your safe with its backup keys and remove any objects that may be obstructing the locking bolts. If your safe continues to show this error, contact Zvetco Technical Support. (See *Customer Support* on page 44.)

***I selected Firmware Upgrade while in the Settings Menu and now my safe is unresponsive.***

If you inadvertently chose **FIRMWARE UPGRD** without connecting to a USB input cable, your safe will appear to be unresponsive. The safe is searching for USB input to begin its firmware upgrade process. To abort this process and return to normal operation, follow these steps:

- 1 Remove your safe's batteries. (See *Installing Batteries* on page 4.)
- 2 Press the Start/Enter Button **(C)** {page 2} to confirm any lingering battery power is drained.
- 3 Replace batteries and the Battery Compartment **(E)** {page 2} cover.

**Note:** If your safe does not boot up, replace your batteries with a new set. Your previous set may have been drained if your safe searched for USB input for an extended period of time.

## 20. SPECIFICATIONS

SPECIFICATION		S4000	S5000	S6000	S7000
Storage (cu. ft.)		0.28	0.52	0.85	3.3
External dimensions (in.)	W	14.4	13.2	17.4	11
	D	10.8	13.8	16.1	13.5
	H	5.8	7.9	7.9	53.5
Internal dimensions (in.)	W	14.0	13.0	17.1	10.75
	D	10.5	9.5	11.8	9.9-11.75
	H	3.3	7.3	7.3	52.5
Door opening (in.)	W	12.2	9.3	14.0	8.5
	H	7.0	5.7	5.7	50.6
Door opening style		Top	Front		
Weight (lbs)		22	21	31	92
Solid steel construction	Door	4mm, ~8ga.			2mm ~ 14ga.
	Walls	2mm, ~14ga.			
	Bolts	(2) 20mm motorized locking bolts, ~ 3/4"			(3) 20mm motorized locking bolts; (3) 16.2mm static locking bolts
Powder coating		Matte black industrial			Hammered black industrial
Mounting holes		(2) floor	(2) floor, (2) wall		(4) floor, (4) wall
Power		(4) AA batteries			(4) C batteries
Safe operating temps		-20°C to 55°C (-4°F to 131°F)			
Max. number fingerprints		40 enrollments			
Tamper Alerts		Unauthorized fingerprint, backup key used, reset attempt			

SPECIFICATION	S4000	S5000	S6000	S7000
Other alerts and alarms	Open door, low battery			
Self-check diagnostic	Every 24 hours and after every use			
Access and event logs	Previous 1,000 entries			
Fingerprint sensor	TCS1 silicon active capacitance, FBI certified			
California DOJ approved Firearm Safety Device	Yes		Pending	
Warranty	12 months			

## 21. WARRANTY

Zvetco LLC. (“Zvetco”) warrants this Biometric Safe product (“Product”) against defects in materials or workmanship for a period of (12) months from the original date of purchase.

In the event of a defect, these are your exclusive remedies.

**Labor:** For the limited warranty period, Zvetco will repair defects in the Product at no charge. After the applicable period you must pay for all labor charges.

**Parts:** For the limited warranty period, Zvetco will supply, at no charge, new or rebuilt, at Zvetco’s option, replacement parts in exchange for parts. Any replacement parts will be warranted for the remainder of the original warranty period. All parts replaced under this Limited Warranty will become the property of Zvetco. In no event shall Zvetco or our representatives be liable for any incidental, consequential, or special loss arising from granting an access to persons from other than those who have registered their fingerprints.

In no event shall our Zvetco or our representatives be liable for any incidental, consequential or special loss arising from any use, defect, malfunction, fault, or granting access to persons other than those who have registered their fingerprints of this product.

This Limited Warranty does not cover any consumable items supplied with this Product; cosmetic damages; damage due to (1) acts of God, accident, misuse, abuse, negligence, commercial use or modifications of this Product; (2) improper operation or maintenance of this product; (3) connection to improper voltage supply; (4) attempted repair by any party other than a Zvetco authorized personal computer service facility; (5) tampering with internal components; or (6) direct damage to the fingerprint sensor. This Limited Warranty is valid only in country of purchase, either the United States of America or Canada.

This Limited Warranty is invalid if the factory applied serial number has been altered or removed from the product.

Repair or replacement of parts or hardware as provided under this Limited Warranty is the exclusive remedy of the consumer. ZVETCO SHALL NOT BE LIABLE FOR ANY INCIDENTAL OR CONSEQUENTIAL DAMAGES FOR BREACH OF CONTRACT, NEGLIGENCE, STRICT LIABILITY OR ANY OTHER LEGAL THEORY RELATED TO THIS PRODUCT. SUCH DAMAGES INCLUDE BUT ARE NOT LIMITED TO, LOSS OF PROFITS, LOSS OF REVENUE, LOSS OF DATA, LOSS OF USE OF THE PRODUCT OR ANY ASSOCIATED EQUIPMENT, DOWN TIME AND PURCHASER'S TIME. EXCEPT TO THE EXTENT PROHIBITED BY APPLICABLE LAW, ANY IMPLIED WARRANTY OF MERCHANTABILITY OR FITNESS FOR A PARTICULAR PURPOSE ON THIS PRODUCT IS LIMITED IN DURATION TO THE DURATION OF THIS WARRANTY.

Some states do not allow the exclusion or limitation of incidental or consequential damages or allow limitations on how long an implied warranty lasts, so the above limitations or exclusions may not apply to you. This Limited Warranty gives you specific legal rights, and you may have other rights which vary from state to state.

## 22. CUSTOMER SUPPORT

Your complete satisfaction is our goal. If you have any questions about your Verifi Smart. Safe.® or need additional support not found in this manual, please contact us using the information below.



**(407) 567-7361**

Mon-Fri, 9am-7pm EST



**support@verifisafe.com**

365 days a year



**verifisafe.com**

24/7



**Engineered in the U.S.A. by Zvetco Biometrics**

489 State Road 436, Suite 109, Casselberry, Florida 32707



RevD



VERISAFE.COM