

OWNER'S MANUAL

AIR CONDITIONER

Please read this manual carefully before operating your set and retain it for future reference.

TYPE : PORTABLE AIR CONDITIONER

MODEL : LP1415SHR

INTRODUCTION

IMPORTANT SAFETY INSTRUCTIONS

Basic Safety Precautions	3 - 6
Electrical Safety	6, 7

PARTS AND FEATURES

Key Parts and Components	8
Control Panel and Remote	9

HOW TO USE

Before Using Your Air Conditioner	10, 11
Using the Controls	12- 14

INSTALLATION INSTRUCTIONS

Preparing for Installation	15
Selection of Installation Location	16
Window Vent Panel and Extensions	17
Installation in Vertical Sliding Windows	18, 19
Installation in Casement Style Windows	20, 21
Heating Drainage	22, 23

CARE AND CLEANING

Cleaning the Case	24
Cleaning the Air Filter	24
Emptying the Water Collection Tank	25, 26
Storing the Air Conditioner	27

TROUBLESHOOTING

Before Calling for Service	28, 29
--------------------------------------	--------

WARRANTY

Product Registration Information	30
--	----

THANK YOU!

Congratulations on your purchase
and welcome to the LG family.

Your new LG Air Conditioner
combines high-efficiency operation
with portable convenience.

If you follow the operating and care
instructions in this manual, your
air conditioner will provide you with
many years of reliable service.

IMPORTANT SAFETY INSTRUCTIONS

BASIC SAFETY PRECAUTIONS

To prevent injury to the user or other people and property damage, the following instructions must be followed.

■ Incorrect operation due to ignoring instruction will cause harm or damage. The seriousness is classified by the following indications.

⚠ WARNING This symbol indicates the possibility of death or serious injury.

⚠ CAUTION This symbol indicates the possibility of injury or damage to properties only.

■ Meanings of symbols used in this manual are as shown below.

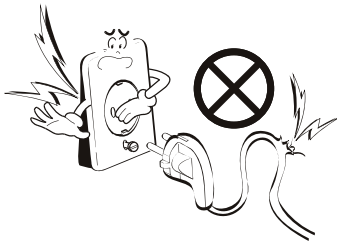
	Be sure not to do.
	Be sure to follow the instruction.

⚠ WARNING

■ Installation

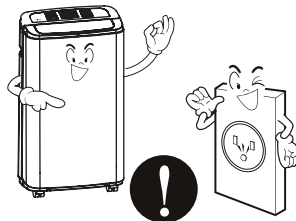
Don't use a power cord, a plug, or a loose socket which is damaged.

- Otherwise, it may cause a fire or electrical shock.



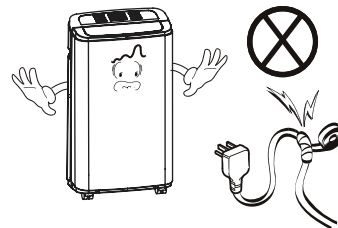
Always plug into a grounded outlet.

- Otherwise, it may cause a fire or electrical shock.



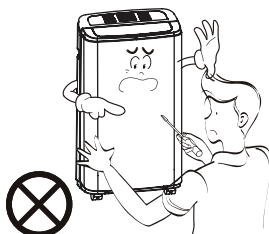
Do not modify or extend the power cord length.

- It will cause electric shock or fire due to heat generation.



Do not disassemble or modify products.

- It may cause failure and electric shock.



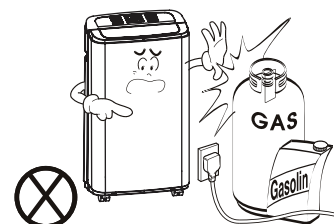
Be caution when unpacking and installing.

- Sharp edges may cause injury.



Do not store flammables like gasoline, benzene, thinner, etc. near the air conditioner.

- It may cause explosion or fire.

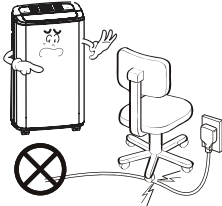


IMPORTANT SAFETY INSTRUCTIONS

■ Operation

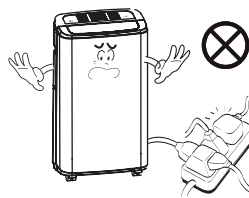
Do not place heavy object on the power cord and take care so that the cord should not be pressed.

- There is danger of fire or electric shock.



Do not share the outlet with other appliances.

- It will cause electric shock or fire due to heat generation.



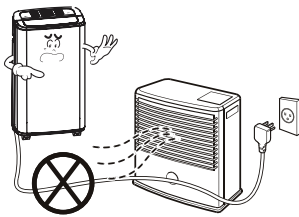
Take the power plug out if necessary, holding the head of the plug and do not touch it with wet hands.

- Otherwise, it may cause a fire or electrical shock.



Do not place the power cord near a heater.

- It may cause fire and electric shock.



Do not allow water to run into electric parts.

- It will cause failure of machine or electric shock.



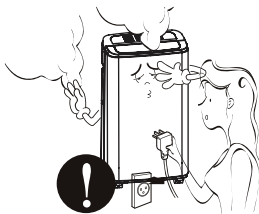
Use a soft cloth to clean. Do not use wax, thinner, or a strong detergent.

- The appearance of the air conditioner may deteriorate, change color, or develop surface flaws.



Unplug the unit if strange sounds, odors, or smoke come from it.

- Otherwise it may cause fire and electric shock accident.



Turn off the power and breaker first when cleansing the unit.

- Since the fan rotates at high speed during operation, it may cause injury.



If water enters the product, turn off the power switch of the main body of appliance. Contact service center after taking the power-plug out from the socket.



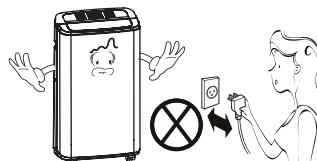
Unplug the unit when not using it for a long time.

- Prevent accidental startup and the possibility of injury.



Do not operate or stop the unit by inserting or pulling out the power plug.

- It will cause electric shock or fire due to heat generation.



Do not damage or use an unspecified power cord.

- It will cause electric shock or fire.



IMPORTANT SAFETY INSTRUCTIONS

Do not operate with wet hands or in damp environment.

- It will cause electric shock.



Hold the plug by the head (not the cable) when taking it out.

- It may cause electric shock and damage.



When gas leaks, open the window for ventilation before operating the unit.

- Otherwise, it may cause explosion, and a fire.



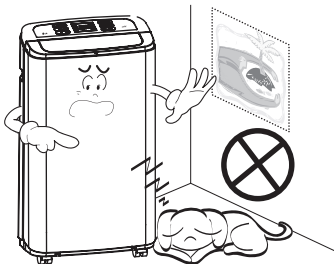
For inner cleaning, contact an Authorized Service Center or a dealer.
Do not use harsh detergent that causes corrosion or damage on the unit.
Harsh detergent may also cause failure of product, fire, or electric shock.

CAUTION

Operation

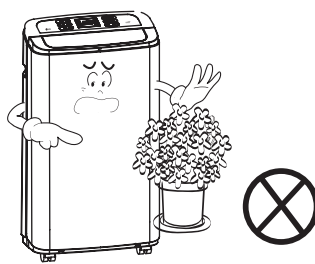
Do not use this appliance for special purposes such as cooling pets, foods, precision machinery, or objects of art

- It is an air conditioner, not a precision refrigeration system.



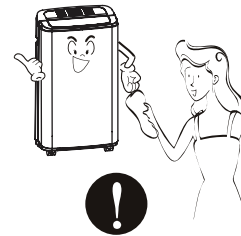
Do not block the inlet or outlet of air flow.

- It may cause product failure.



Use a soft cloth to clean. Do not use wax, thinner, or a strong detergent.

- The appearance of the air conditioner may deteriorate, change color, or develop surface flaws.



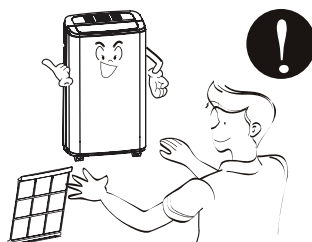
Do not step on the indoor/outdoor unit and do not put anything on it.

- It may cause an injury through dropping of the unit or falling down.



Always insert the filter securely. Clean it every two weeks.

- Operation without filters will cause failure.



Do not drink water drained from air conditioner.

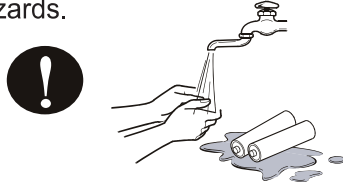
- It contains contaminants and will make you sick.



IMPORTANT SAFETY INSTRUCTIONS

If the liquid from the battery gets onto your skin or clothes, wash it well with clean water. Do not use the remote if the battery has leaked.

- The chemicals in battery could cause burns or other health hazards.



If you eat the liquid from the battery, brush your teeth and see doctor. Do not use the remote if the battery has leaked.

- The chemicals in battery could cause burns or other health hazards.



ELECTRICAL SAFETY

WARNING

Electrical Shock Hazard

Failure to follow these instructions can result in death, fire, or electrical shock.

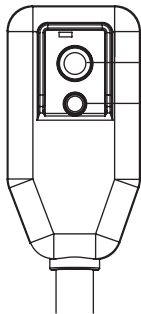
- This unit must be properly grounded.
- Do not, under any circumstances, cut or remove the ground prong.
- If you do not have a properly grounded outlet, or if there is any doubt that the outlet is not properly grounded, a qualified electrician should check the outlet and circuit, and, if necessary, install a properly grounded outlet.
- This air conditioner must be plugged into a grounded 60 Hz, 120 VAC outlet protected by a 15 amp time delay fuse or circuit breaker.
- This air conditioner must be installed in accordance with national wiring codes.
- Do not alter or modify the plug or cord of this air conditioner. If the power cord becomes worn or damaged, the cord should only be replaced by a qualified service technician using genuine replacement parts.
- Do not use an extension cord.

IMPORTANT SAFETY INSTRUCTIONS

READ ALL INSTRUCTIONS BEFORE USE

ELECTRICAL SAFETY

INTEGRATED CIRCUIT BREAKER

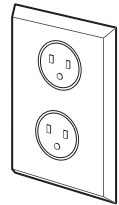
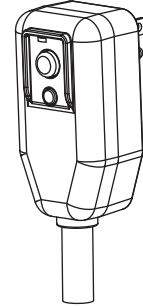


Reset
Test

For additional safety, the power cord features an integrated circuit breaker. Test and reset buttons are provided on the plug case.

The circuit breaker should be tested periodically by pressing the TEST button then the RESET button. If the TEST button does not cause the circuit breaker to trip, or if the RESET button will not stay engaged, unplug the air conditioner immediately and contact your LG service technician.

PREFERRED GROUNDING METHOD



Ensure proper ground exists before use.

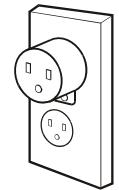
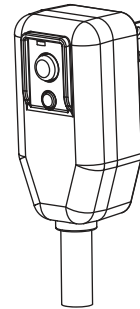
Due to potential safety hazards, the use of an adapter plug is strongly discouraged.

For temporary connections, use only a UL-listed adapter. Ensure that the large slot in the adapter is aligned with the large slot in the outlet.

To prevent damage to the adapter's ground terminal, hold the adapter in place while plugging in or unplugging the air conditioner.

- **Attaching the adapter ground terminal to the wall receptacle cover screw does not ground the appliance unless the cover screw is metal and not insulated, and the wall receptacle is grounded through the house wiring.**

TEMPORARY GROUNDING METHOD



Ensure proper ground exists before use.

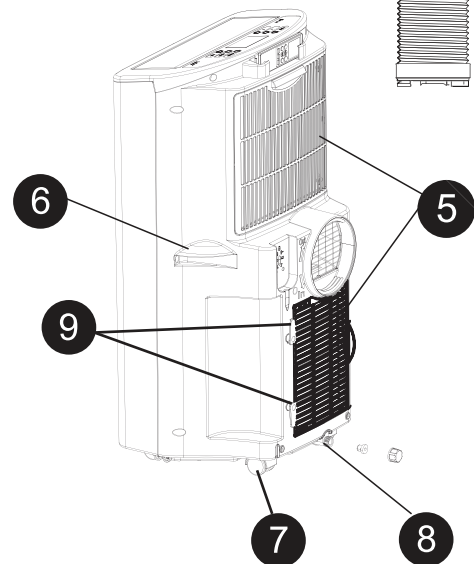
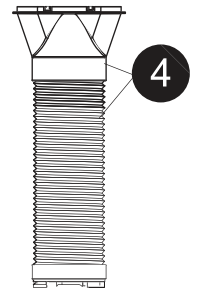
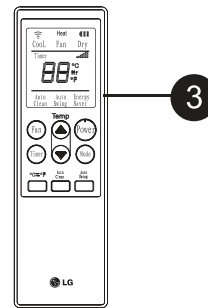
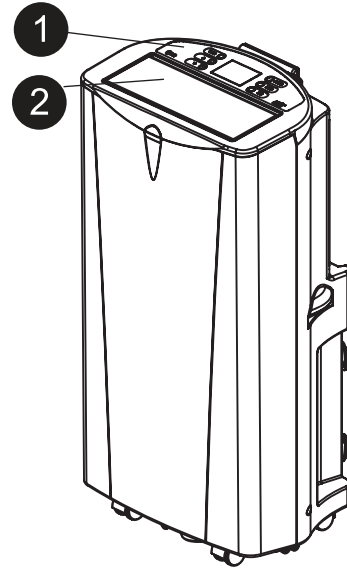
- **Frequent connection and disconnection can damage the ground terminal on the adapter. Never use a broken or damaged adapter.**

SAVE THESE INSTRUCTIONS

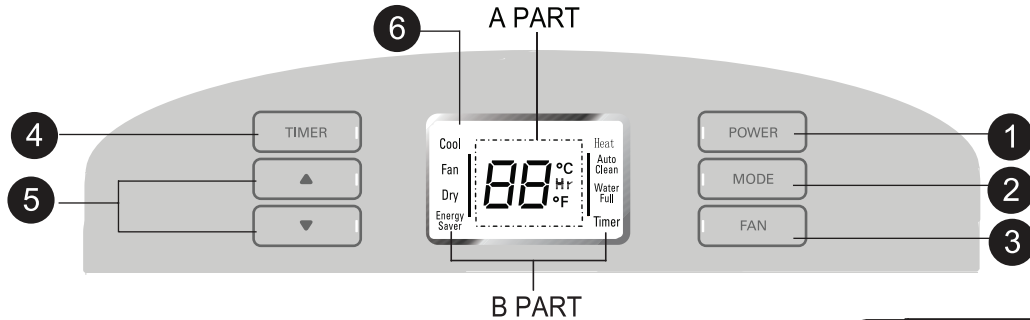
PARTS AND FEATURES

KEY PARTS AND COMPONENTS

- 1 CONTROL PANEL AND DISPLAY**
Easy-to-read white LCD display shows the operating state. Digital touch buttons make changing settings quick and easy.
- 2 MOTORIZED AIR DISCHARGE**
The adjustable louvered air discharge opens automatically when the air conditioner is turned on, and closes when it is turned off. It can also be set to oscillate to distribute air more evenly through the room.
- 3 INFRARED REMOTE CONTROL**
The LCD remote control allows you to adjust the temperature and operate most functions of the air conditioner from across the room.
- 4 HOSE AND DIFFUSER**
Use the diffuser and hose to connect the air conditioner to the window installation kit to vent exhaust air outside.
- 5 FILTER**
You can pull out and insert the filter easily.
- 6 HANDLES**
The handles provide a convenient grip when lifting the air conditioner.
- 7 SWIVELING CASTERS**
Swiveling casters allow you to move the air conditioner easily on most floor surfaces.
- 8 BOTTOM DRAIN PORT**
Before moving the air conditioner, drain the internal water in collection tank completely using bottom drain port.
- 9 POWER SUPPLY CORD HOLDER**
Wrap the power supply cord around the holders for your convenience.



CONTROL PANEL AND REMOTE



Operation of functions is the same when using the remote or the control panel, unless otherwise stated.

For detailed instructions on each function, see the following pages.

1 POWER ON/OFF

Turns the air conditioner on and off. When turning on, a rising tone will sound to confirm. When turning off, a descending tone will sound.

2 MODE

Switches the air conditioner between COOL, FAN, DRY, ENERGY SAVER and HEAT modes. The active mode will be shown in the LCD display.

3 FAN

Adjusts the circulation fan speed among low (F1), medium (F2), and high (F3).

4 TIMER

Allows you to set a delay from 1 to 24 hours that will turn the air conditioner on or off automatically.

5 ▲ / ▼ (TEMP/TIMER)

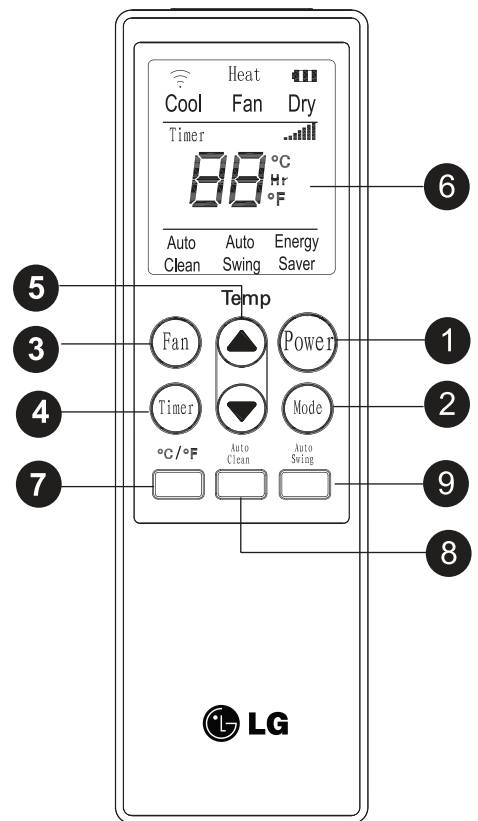
Use these buttons to adjust the set temperature up or down, or to adjust the timer delay time.

6 LCD DISPLAY

A PART shows the set temperature (°C or °F), fan speed, or the selected TIMER delay.
B PART shows the active mode (COOL, FAN, DRY ENERGY SAVER and HEAT), Auto clean, Water full.

7 °C/°F

Use this button, the temperature display can be switched between degrees Celsius (°C) and degrees Fahrenheit (°F).



8 AUTO CLEAN

The AUTO CLEAN function is used to remove moisture from the heat exchangers and helps prevent odor from forming. This function can be activated from the remote only.

9 AUTO SWING

Sets the motorized air discharge to oscillate, improving air circulation in the room. This function can be activated from the remote only.

NOTICE AUTO RESTART

During operation in failure of electric power, the unit runs as previous setting operation.

HOW TO USE

BEFORE USING YOUR AIR CONDITIONER

PREPARING FOR OPERATION

Refer to the Installation Instructions included in this manual before using the air conditioner. Once the air conditioner has been properly assembled and installed:

- 1 Plug the power cord into its own dedicated properly grounded outlet. Do not plug other appliances into the same outlet; it could overload the outlet and create a fire hazard.
- 2 Make sure the air conditioner and cord is positioned where it does not create a tripping hazard and will receive adequate ventilation. Do not place it directly next to furniture or objects that could block the vent openings.
- 3 Make sure that any items that could be blown over or damaged by the airflow from the fan are out of the airflow path.

UNPACKING THE AIR CONDITIONER

Remove and store packing materials for reuse. Remove any shipping tape before using the air conditioner. If the tape leaves behind any adhesive, rub a small amount of liquid dish soap onto it and wipe with a damp cloth. Do NOT use sharp instruments, alcohol, thinners, or abrasive cleaners to remove adhesive. They could damage the finish.

IMPORTANT:

- Do not remain in the direct airflow from the air conditioner for extended periods of time.
- When used at the same time as stoves, fireplaces, and other combustion devices, make sure there is a sufficient flow of fresh air into the room. Do not use in tightly enclosed spaces with these types of devices.
- This air conditioner is intended for household use as a consumer comfort appliance. Do not use it as a precision climate control system, or for purposes such as cooling precision equipment, food, pets, plants, artwork, etc. Such items could be damaged.
- Do not bend the hose downward when window installation kit is not applied. It may cause failure of air conditioner or performance deterioration.

BEFORE USING YOUR AIR CONDITIONER

INSERTING BATTERIES IN THE REMOTE

Before using your remote, install the provided AAA batteries.

- 1 Press and glide the battery cover on the back of the remote, then you can remove the cover.
- 2 Insert two new alkaline AAA batteries into the battery compartment, being sure to note the proper polarity.
- 3 Reattach the battery cover, making sure the locking tab clicks into place.

NOTES:

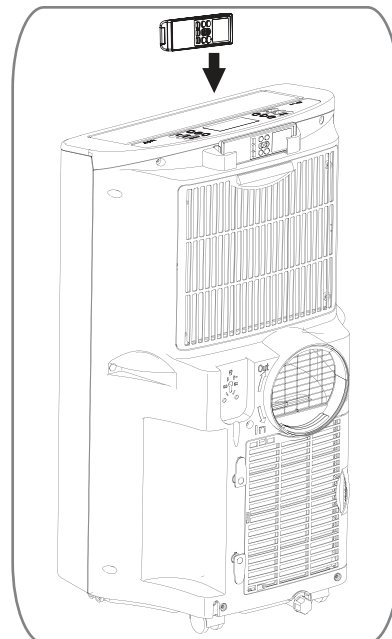
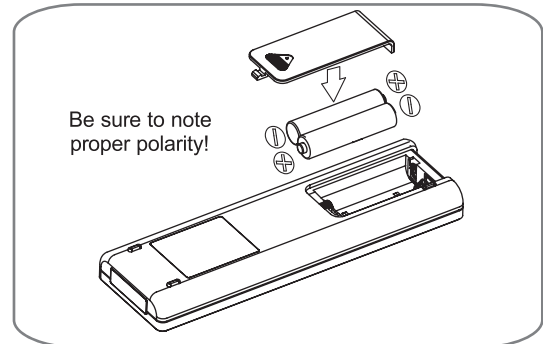
- Use only alkaline batteries. Do not use rechargeable batteries.
- When replacing batteries, always replace both batteries with new batteries. Do not mix old and new batteries.
- If the air conditioner will not be used for an extended period of time, remove the batteries from the remote.

REMOTE STORAGE

Your air conditioner has a special place for convenient storage the remote control. See the drawing to the right.

NOTE:

In order to avoid losing the remote, please put the remote inside of the storage place when you not use it.



⚠ CAUTION

- If the liquid from the batteries gets onto your skin or clothes, wash it well with clean water. Do not use the remote if the batteries have leaked.
- If you eat the liquid from the batteries, brush your teeth and see doctor. The chemicals in batteries could cause burns or other health hazards.

HOW TO USE

USING THE CONTROLS

Control panel buttons shown. Operation using the remote control is the same, unless specifically noted.

NOTE: The remote sensor is located under the air discharge and on the front panel.

POWER

Press the **POWER** button to turn the air conditioner ON or OFF. When you turn the air conditioner on, an ascending tone will play and the LCD display will show the set temperature and any active mode. The air discharge on the top of the air conditioner will automatically open.

When turning the air conditioner off, you will hear a descending tone and the air discharge on the top of the air conditioner will close.

Any control settings such as Mode, Set Temperature, Auto Swing, etc. will be retained in memory when the power is off.

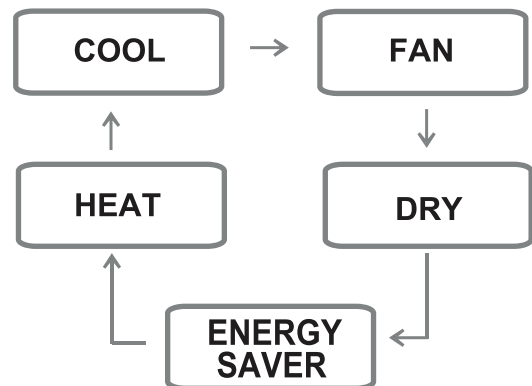
NOTE: When turned on after being unplugged, the air conditioner will automatically reset to COOL mode, with a temperature setting of 72°F. Any settings will need to be re-entered.

MODE

Press the **MODE** button to select the operating mode (COOL, FAN, DRY, ENERGY SAVER or HEAT) for the air conditioner. And you can see the active mode through the LCD Display.

The default setting is COOL. Press the **MODE** button to change to FAN, press again to change to DRY, again to change to ENERGY SAVER, again to change to HEAT and again to return to COOL.

Always point the remote at the sensor. The remote may not work if the sensor is in bright light or if there is not a clear path between the remote and the sensor.



Mode	Features
COOL (HEAT)	Compressor runs and cools the room. Use the ▲ / ▼ and FAN buttons to set the desired temperature and circulation fan speed.
FAN	Fan circulates air but compressor does not run. Use the FAN button to set the desired fan speed.
DRY	Dry mode is used to remove humidity from the room without additional cooling. Once the set temperature is reached, the compressor and circulation fan turns off and only the exhaust fan will run. Fan speed is pre-set and can not be adjusted.
ENERGY SAVER	Under normal operation, the exhaust fan cycles on and off with the compressor, and the circulation fan runs at the set speed. The mode helps reduce power consumption by automatically turning off the circulation fan as well as the exhaust fan when the compressor is off. The air conditioner will automatically cycle both fans on and off with the compressor as needed for cooling.

USING THE CONTROLS

FAN

Pressing the **FAN** button cycles the circulation fan speed from low (F1) to medium (F2) to high (F3). The selected fan speed will be shown in the LCD display.

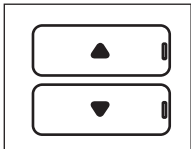


The function can be used in either COOL, HEAT or FAN modes.

When changing fan speeds, there is a brief delay before the fan motor changes speed.

▲ / ▼ (TEMP/TIMER)

In COOL, DRY and HEAT modes, the ▲ / ▼ (TEMP/TIMER) buttons adjust the set temperature up to 86°F or down to 60°F, in one degree increments.



The temperature can be switched between degrees Fahrenheit and degrees Celsius, pressing the ▲ button and ▼ button

at the same time, or pressing °C = °F button on the remote.

When the **TIMER** function is selected, use the ▲ / ▼ (TEMP/TIMER) buttons to adjust the delay time from 1 to 24 hours, in one hour increments.

If you press and hold the ▲ / ▼ (TEMP/TIMER) buttons, the set temperature or time will change automatically after a few seconds.

NOTE: The displayed temperature is the SET temperature, not the room temperature. In COOL, DRY, ENERGY SAVER or HEAT mode, the thermostat in the air conditioner will run the compressor until the set temperature is reached, then cycle the compressor on and off to maintain the set temperature.

TIMER

When the **TIMER** function is selected, you can set the air conditioner to either automatically turn OFF or turn ON after a delay of up to 24 hours. The display will show 0. Use the ▲ / ▼ (TEMP/TIMER) buttons to adjust the delay time from 1 to 24 hours, in one hour increments.



To set an automatic off delay, press the **TIMER** button while the air conditioner is running and use the ▲ / ▼ (TEMP/TIMER) buttons to adjust the delay time. The air conditioner will automatically turn OFF after the set delay.

To set an automatic on delay, press the **TIMER** button while the air conditioner is off and use the ▲ / ▼ (TEMP/TIMER) buttons to adjust the delay time.

The display will show the number of hours remaining until the unit is set to come on. The air conditioner will automatically turn ON after the set delay.

If you want to know how many hours you have set, press the **TIMER** button and then you can see the time through the LCD display.

If you want to change the set timer, press the **TIMER** button and adjust the time when the number is flickering.

To cancel the Timer function, press the **TIMER** button and adjust the number to 0 when the number is flickering, then the function will be canceled in a few seconds.

Another better method is press the **TIMER** button and press this button again when the number is still flickering.

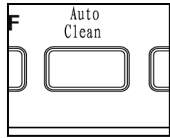
NOTE: Do not unplug the air conditioner when using the timer function.

HOW TO USE

USING THE CONTROLS

AUTO CLEAN

- To turn the **AUTO CLEAN** function on, press the **AUTO CLEAN** button while the air conditioner is running in **COOL**, **DRY**, **ENERGY SAVER** or **HETA** mode. This function can only be selected from the remote; it is not available from the control panel. It must be set each time you wish to run the **AUTO CLEAN** function.



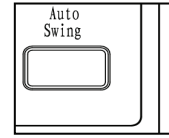
AUTO CLEAN is used to remove moisture from the heat exchange coils. This helps prevent the formation of mildew and odors.

- 1** To use **AUTO CLEAN**
With the air conditioner running in **COOL**, **DRY**, **ENERGY SAVER** or **HEAT** mode, press the **AUTO CLEAN** button.
- 2** **AUTO CLEAN** will be displayed in the LCD display.
Press the **POWER** button to turn the air conditioner off. **AUTO CLEAN** will run the circulation and exhaust fans with the compressor off for a few minutes after the power is turned off.

To cancel **AUTO CLEAN**, or to stop an **AUTO CLEAN** cycle in process, simply press the **AUTO CLEAN** button again. The **AUTO CLEAN** function will not operate if the air conditioner is already off.

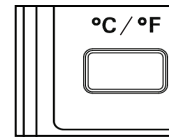
AUTO SWING

- AUTO SWING** function can only be activated with the remote. When this function is on, the air discharge will oscillate to circulate air more evenly through the room. To turn this function off, simply press the **AUTO SWING** button with the remote again.



With **AUTO SWING** off, you may also manually adjust the air discharge to the desired position. It will maintain this position until the air conditioner is turned off or **AUTO SWING** is activated.

°C / °F



When the displayed temperature is °C (or °F), you can press this button to switch to °F (or °C).

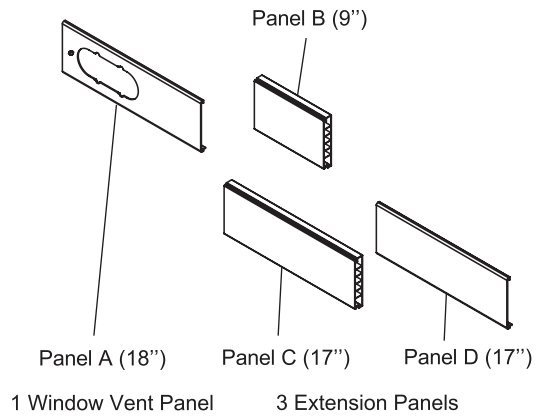
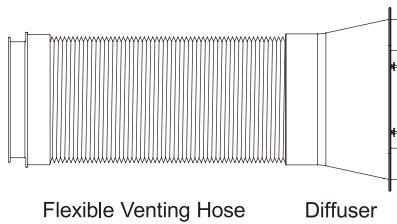
INSTALLATION INSTRUCTIONS

PREPARING FOR INSTALLATION

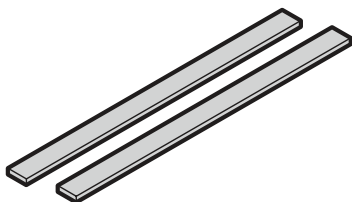
⚠ WARNING The air conditioner is heavy! Use two or more people to lift and install the unit! Failure to do so could result in back injury or other injuries.

EXHAUST COMPONENTS

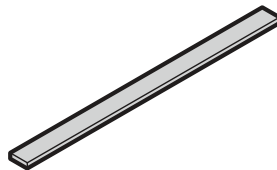
The following components are used for window venting. Not all components are used for every installation.



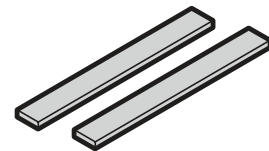
Window Installation Kit (includes 1 Window Vent Panel and 3 Extension Panels)



2 Type A Foam Seals (Adhesive)



1 Type B Foam Seal (Non-adhesive)



2 Type C Foam Seals (Adhesive type-Shorter)



Security Bracket



2 Type A Screws



1 Type B Screw

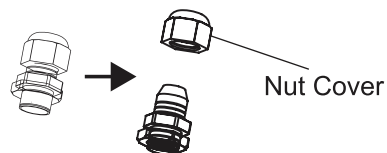


1 Type C Screw

Additional Parts (For Heating Drainage)



Drain Pipe (In The Accessory Box)



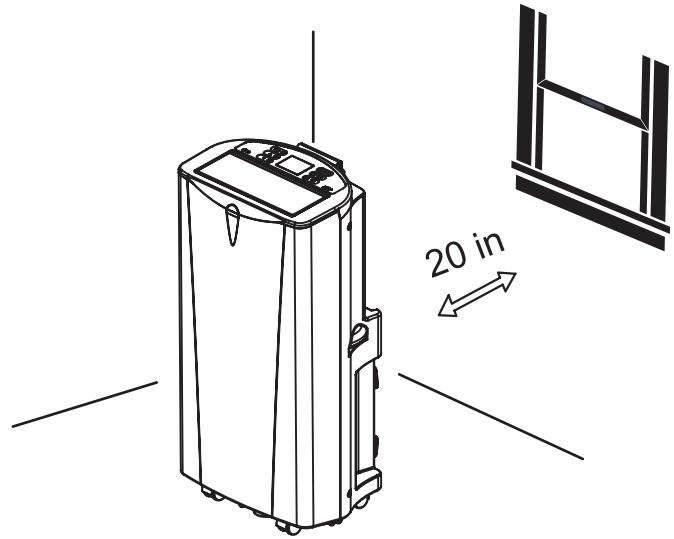
Fixing Nut (On the Vent Panel)

Nut Cover

INSTALLATION INSTRUCTIONS

SELECTION OF INSTALLATION LOCATION

- 1 Place the unit on a level floor.
- 2 For best performance, allow at least 20 in of air space on back side of the unit for good air circulation.
- 3 Place the unit near a window. The hose and diffuser will be used to connect the air conditioner to the window installation kit to vent exhaust air outside.



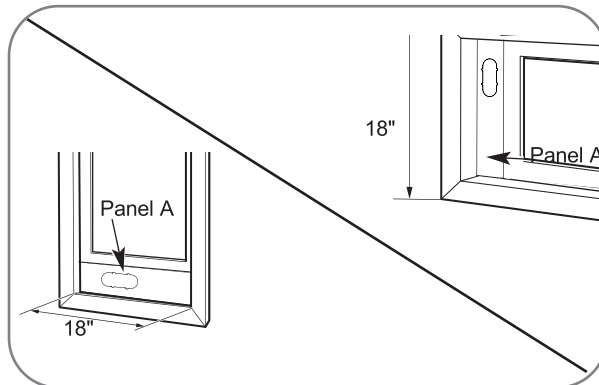
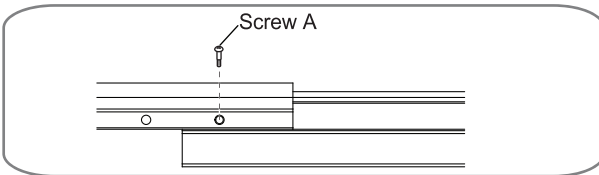
INSTALLATION INSTRUCTIONS

WINDOW VENT PANEL AND EXTENSIONS

The window installation kit allows you to install the air conditioner in most vertical-sliding windows 18" to 50" wide, or casement-style windows from 18" to 50" high.

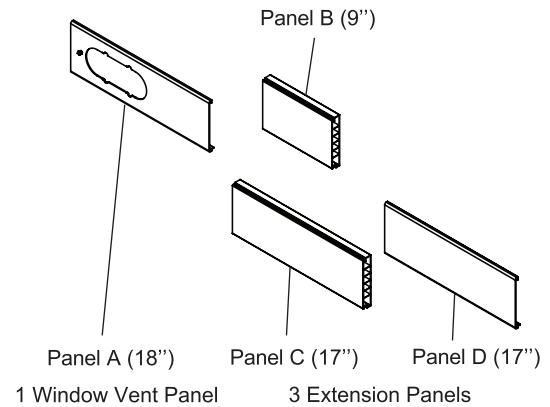
Panel \ Window Length	A 18"	B 9"	C 17"	D 17"	Fig.
18"	✓				a
19" - 26"	✓	✓			b
27" - 34"	✓		✓		c
35" - 50"	✓		✓	✓	d

1. Please check your window length and choose the fit panels from the above table.
2. If your window length need more than 2 panels, after adjust the length, please use type A screw to fix them.

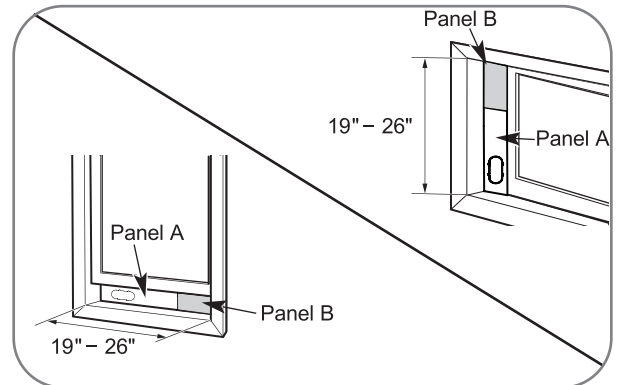


For an 18" window opening, use the window vent panel by itself.

Fig. "a"

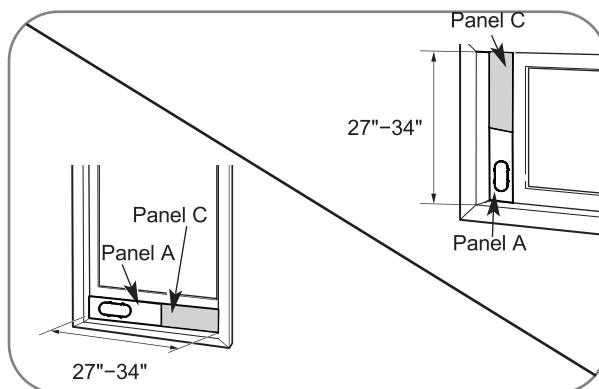


Window Installation Kit (includes 1 Window Vent Panel and 3 Extension Panels)



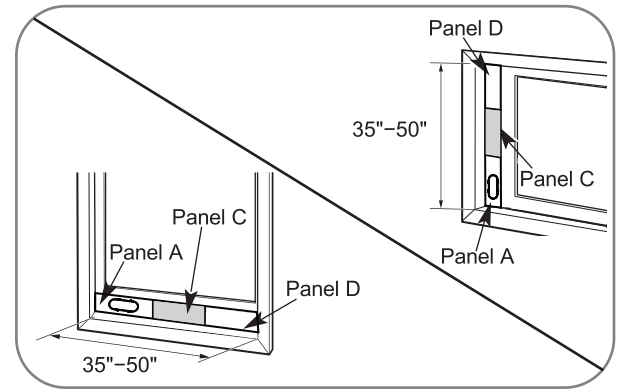
For window openings from 19" to 26", use the window vent panel (Panel A) and an extension panel (Panel B).

Fig. "b"



For window openings from 27" to 34", use the window vent panel (Panel A) and an extension panel (Panel C).

Fig. "c"



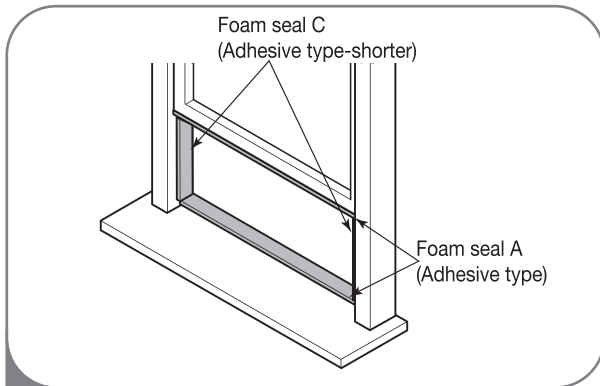
For window openings from 35" to 50", use the window vent panel and two extension panels (Panel C and Panel D).

Fig. "d"

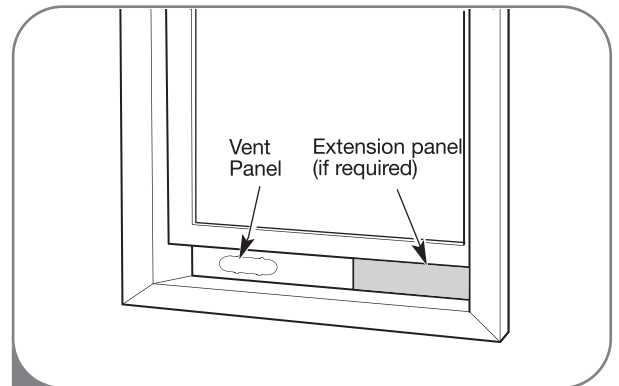
INSTALLATION INSTRUCTIONS

INSTALLATION IN VERTICAL SLIDING WINDOWS

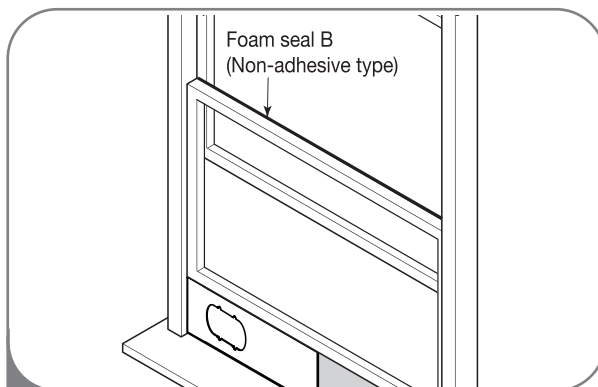
NOTE: The window installation kit can be used with vertical sliding windows between 18" and 50" wide.



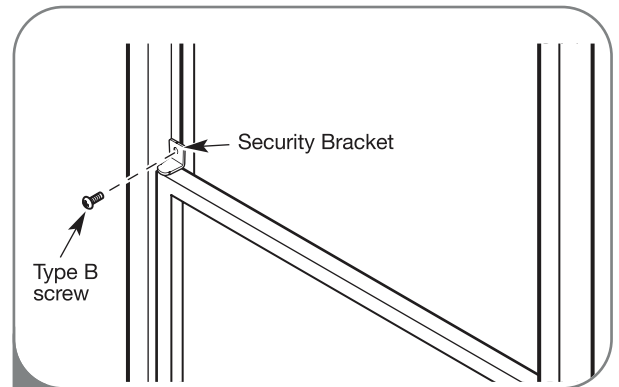
- 1 Cut the foam seal A (adhesive type) & C (adhesive type-shorter) to the proper length, and attach it to the window sash and frame.



- 2 Insert the vent panel assembly, including extension panels, if needed, into the window opening. Extend the extension panels, if used.



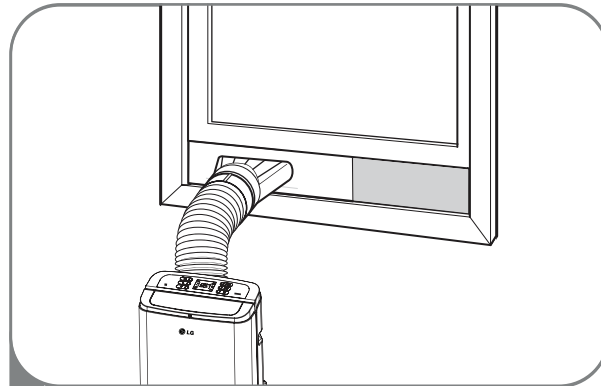
- 3 Cut the foam seal B (Non-adhesive type) to the window width. Stuff the foam seal B between the glass and the window to prevent air and insects from getting into the room.



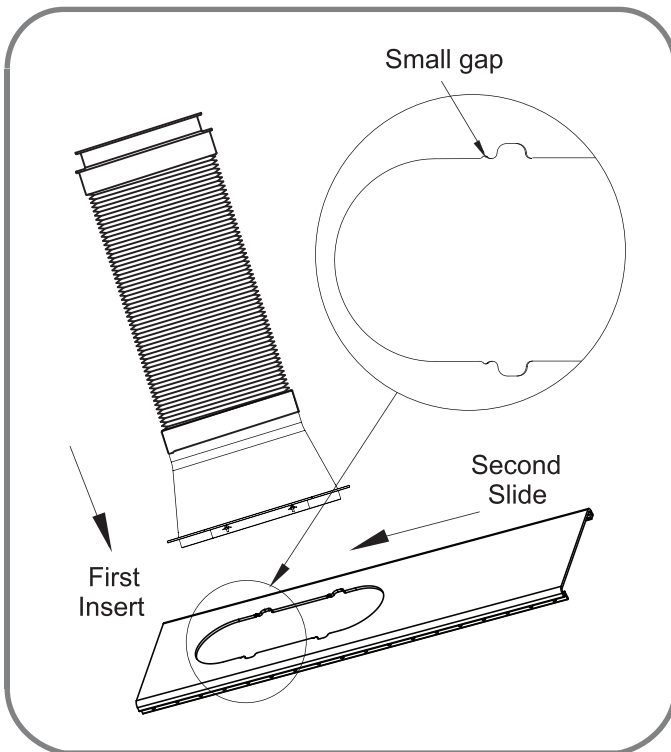
- 4 Install the security bracket with a type B screw as shown if you need.

INSTALLATION INSTRUCTIONS

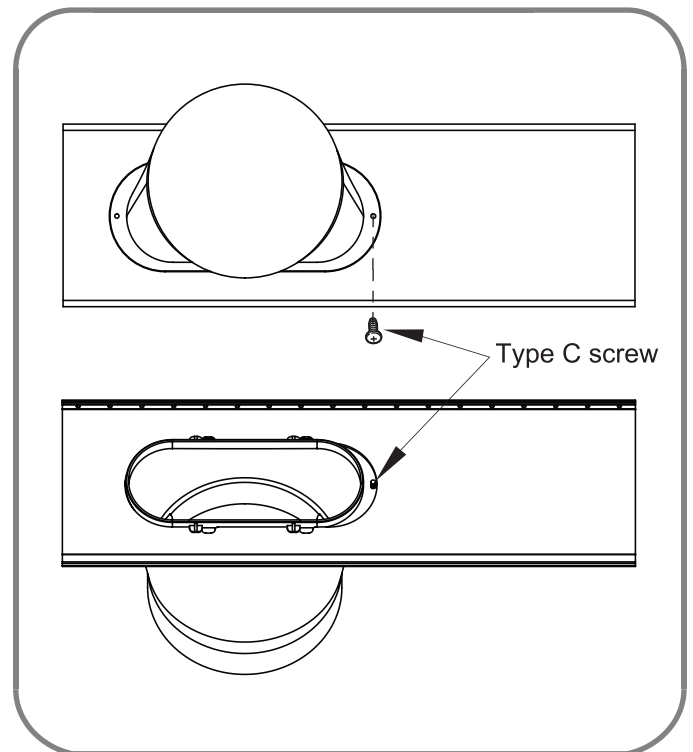
INSTALLATION IN VERTICAL SLIDING WINDOWS



5 Insert the diffuser into the Vent Panel. And then slide.



First insert to the vent panel fully and then slide for locking.

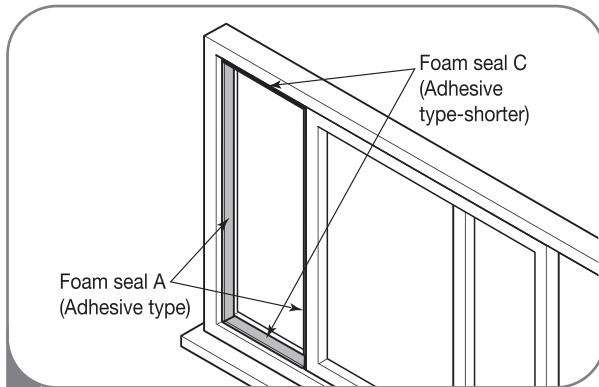


If you want fix the diffuser more firmly, use the type C screw.

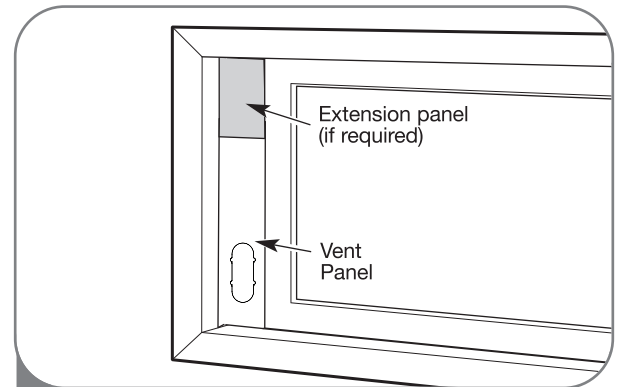
INSTALLATION INSTRUCTIONS

INSTALLATION IN CASEMENT STYLE WINDOWS

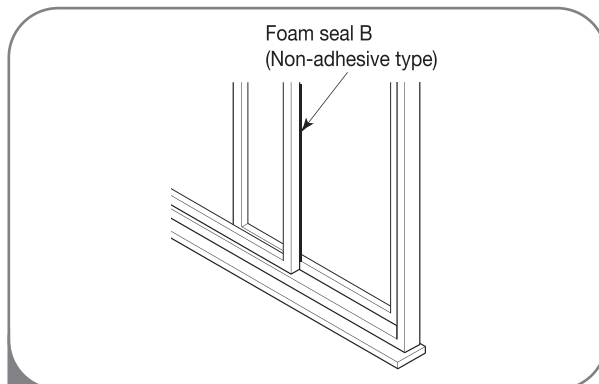
NOTE: The window installation kit can be used with casement windows between 18" and 50" tall.



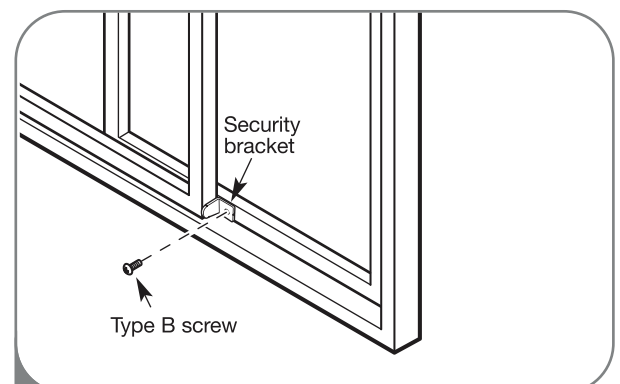
- 1 Cut the foam seal A (adhesive type) & C (adhesive type-shorter) to the proper length, and attach it to the window sash and frame.



- 2 Insert the vent panel assembly, including extension panels, if needed, into the window opening. Extend the extension panels, if used.



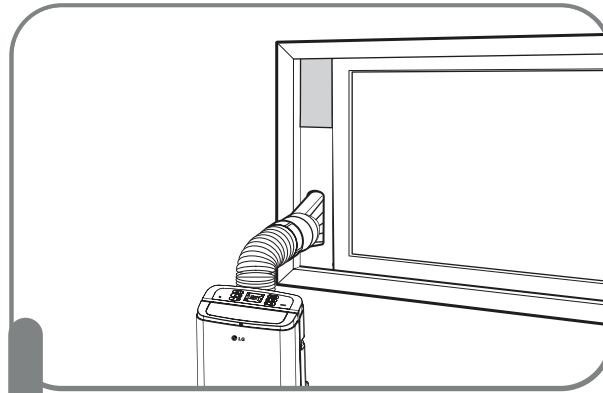
- 3 Cut the foam seal B (Non-adhesive type) to the window height. Stuff the foam seal B between the glass and the window to prevent air and insects from getting into the room.



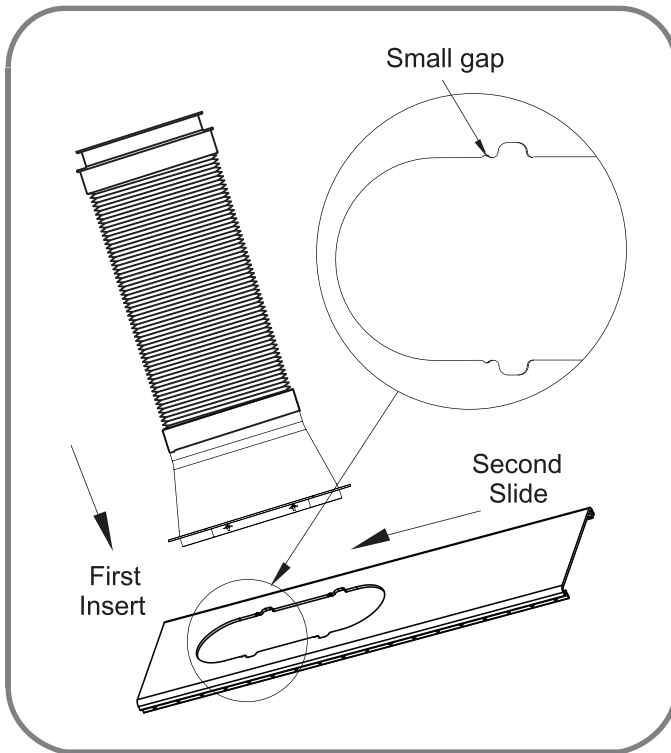
- 4 Install the window security bracket with a type B screw as shown.

INSTALLATION INSTRUCTIONS

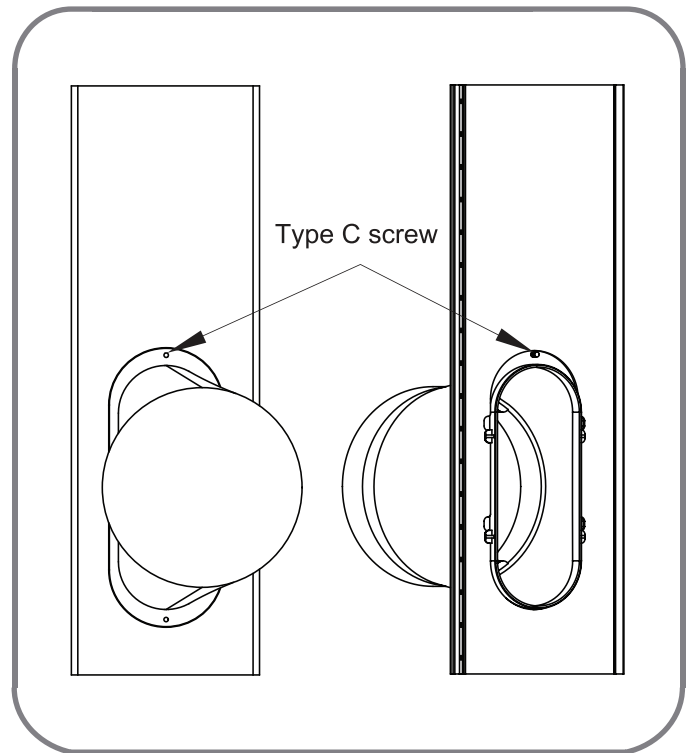
INSTALLATION IN CASEMENT STYLE WINDOWS



5 Insert the diffuser into the Vent Panel. And then slide.



First insert to the vent panel fully and then slide for locking.



If you want fix the diffuser more firmly, use the type C screw.

INSTALLATION INSTRUCTIONS

HEATING DRAINAGE

⚠ CAUTION

When you use heating function, draining water is needed. For cooling only function, you do not need to install this part.

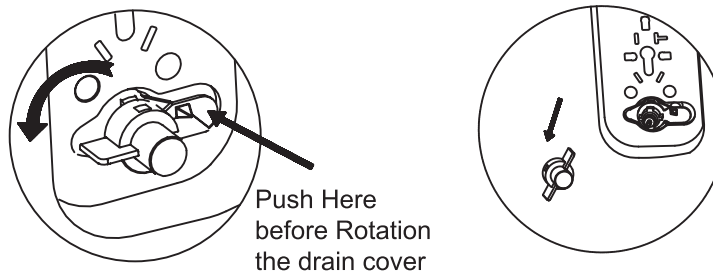
When you use the heating function. It is highly recommended to use indoor drainage because outdoor drainage can cause some problems. When the outside temperature is below 32 °F (0 °C), the drain pipe will be frozen if using outside drainage. In that case, you have to use indoor drainage.

If you want to use outdoor drainage, keep an outlet of water far away from outdoor window to prevent stain of drained water.

When the relative humidity is 50%, it will generate 28oz water per hour in heating mode. Please pay attention to select proper bucket, otherwise the water will be overflowed on the floor.

INDOOR DRAINAGE

1. Remove the water plug firstly on the back of the product.



2. Install end point of the drain pipe to the unit, and put the other end of the pipe into a bucket.
(Bigger than 28oz)

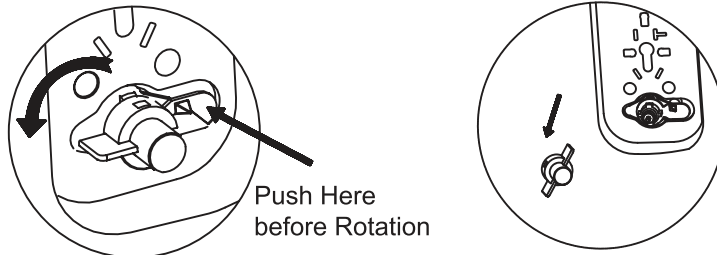


INSTALLATION INSTRUCTIONS

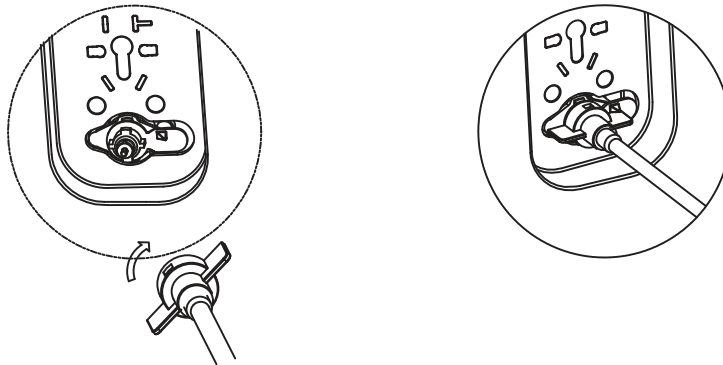
HEATING DRAINAGE

OUTDOOR DRAINAGE

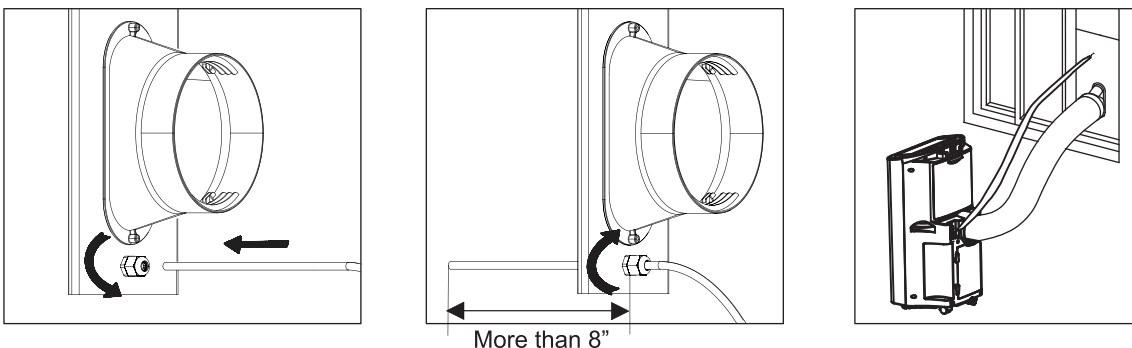
1. Remove the water plug firstly.



2. Install end point of the drain pipe to the unit, connect the other end pipe to the drain hole of the window panel.



- 1 Rotate the nut cover on the vent panel.
- 2 Insert drain pipe into the vent panel
- 3 When installing the drain pipe on the vent panel, keep end pipe of outdoor far away from install kit more than 8".
- 4 Rotate nut cover to fix the drain pipe.



CAUTION

When water is being drained at the drain pipe, you can press **TIMER** and **DOWN** buttons simultaneously to stop the drain pump inside when unit is run, or press **TIMER** and **DOWN** buttons simultaneously again to turn on the drain pump.

CARE AND CLEANING

Your air conditioner is designed for year-round operation with only minimal cleaning and maintenance.

For maximum efficiency, it is recommended that you have the cooling coils inspected and cleaned annually. Your local LG Authorized Service Center can provide this inspection and cleaning service for a nominal fee.

WARNING

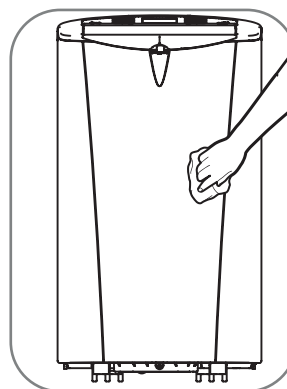
- **Unplug the air conditioner before cleaning or performing any maintenance or servicing.**
- **Be careful when cleaning coils or removing or reinstalling the filter-the cooling fins are sharp!**

Failure to follow the above precautions could result in electrical shock or personal injury.

CLEANING THE CASE

Wipe the case with a slightly damp cloth, then wipe dry with a dry cloth or towel.

- **To prevent damage to the finish, do not use gasoline, benzene, thinner, etc., or any abrasive cleansers to clean the air conditioner; they may damage the finish.**
- **Never pour water onto or into the air conditioner. It could damage internal components and create a shock and fire hazard.**



CLEANING THE AIR FILTER

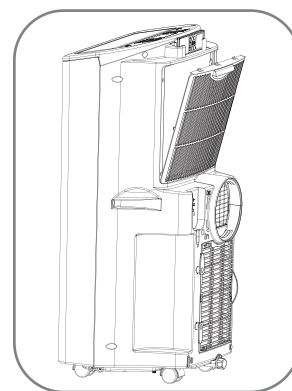
The air filter should be cleaned every two weeks; depending on indoor air quality, more frequent cleaning may be needed. A dirty air filter will decrease airflow and reduce efficiency.

Do not operate the air conditioner without the air filter in place.

- 1 Grasp the grip which is in the center and on the top of the filter and pull out the filter directly.
- 2 Use a vacuum cleaner to clean the filter. If the filter is heavily soiled, it can be washed in warm water using a mild detergent.

**Do not use harsh cleaners or very hot water.
Do not wash in a dishwasher.**

- 3 Allow the filter to dry completely before reinstalling.
- 4 Reinsert the filter, making sure that the bottom of the filter is between the tabs and the coil guard. Reinstall the filter cover, making sure it clips into place.

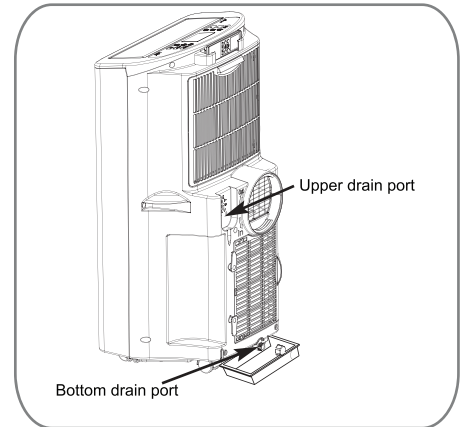
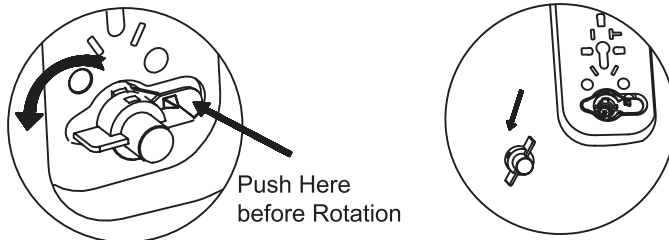


EMPTYING THE WATER COLLECTION TANK

When the internal water collection tank is full, FL will appear in the display and the air conditioner will turn off until the tank is emptied.

Using the upper drain port

- 1 Remove the water plug firstly on the back of the product.



- 2 Install end point of the drain pipe to the unit, and put the other end of the pipe into a bucket. (Bigger than 28oz)



- 3 Press TIMER and DOWN buttons simultaneously to activate drain pump inside of product.
- 4 This pump will be activated during 3 minutes. (If you want to stop draining before 3 minutes, you can press TIMER and DOWN buttons simultaneously again.)
- 5 Pull out drain pipe from the product.
- 6 Reassemble the drainage cover.

CARE AND CLEANING

EMPTYING THE WATER COLLECTION TANK

Using the bottom drain port

- 1 Unplug the air conditioner, disconnect the exhaust hose from the back, and move the air conditioner to a suitable drain location or outdoors. You may also place a pan under the drain that will hold up to 3 pints of water.
- 2 Remove the drain cap and the rubber plug from the drain outlet.
- 3 Once the water collection tank is drained, reinstall the rubber plug and the drain cap, making sure it is on securely.
- 4 Place the air conditioner in the desired location, reconnect the exhaust hose, and plug in the air conditioner.

Use Drain hose when use the DRY mode

- 1 When need running in high humidity, or during the DRY mode remove the drain cap and the exhaust from the back of the unit.
- 2 Install a drain hose (11/16" [18mm] inside diameter) and place the open end of the hose a suitable drain location or outdoors.

NOTICE *FL apperars in the display*

The water collection tank is full, drain the tank and restart the air conditioner.

NOTES: When turned on after being unplugged, the air conditioner will automatically reset to COOL mode, with a temperature setting of 72°F.

STORING THE AIR CONDITIONER

If the air conditioner will not be used for an extended period of time:

- 1 To drain the water collection tank completely, leave the bottom drain cap off long enough to allow any residual water to drain out. Once the tank is completely drained and no more water flows out, reinstall the cap.
- 2 Remove and clean the filter, allow it to dry completely, then reinstall it.
- 3 Remove the batteries from the remote.
- 4 Store the air conditioner in a cool, dry location, away from direct sunlight, extreme temperatures, and excessive dust.

Before using the air conditioner again:

- 1 Make sure the filter and drain cap are in place
- 2 Check the power cord to make sure it is in good condition, with no cracks or damage.
- 3 Place new batteries in the remote.
- 4 Install the air conditioner as described in the Installation Instructions.

TROUBLESHOOTING

BEFORE CALLING FOR SERVICE

Before you call for service, review this list. It may save you time and expense. This list includes common occurrences that are not the result of a defect in workmanship or materials.

<i>Self Diagnosis</i>	<i>Possible Causes</i>	<i>What To Do</i>
Air conditioner does not start	The air conditioner is unplugged.	Make sure the air conditioner plug is pushed completely into the outlet.
	The fuse is blown/circuit breaker is tripped.	Check the house fuse/circuit breaker box and replace the fuse or reset the breaker.
	Power failure.	If power failure occurs, turn the mode control to Off. When power is restored, wait 3 minutes to restart the air conditioner to prevent tripping of the compressor overload.
	The current interrupter device is tripped.	Press the RESET button located on the power cord plug. If the RESET button will not stay engaged, discontinue use of the air conditioner and contact a qualified service technician.
	FL appears in the display.	The water collection tank is full. Drain the tank and reset your settings.
	Room temperature is less than the set temperature.	This is normal. The air conditioner automatically shuts off when the room equals or is less than the set temperature. Adjust the temperature setting, if needed.
Air conditioner does not cool as it should	Airflow is restricted.	Make sure there are no curtains, blinds, or furniture blocking the front of the air conditioner.
	The temp control may not be set correctly.	In COOL and HEAT model, press the DECREASE▼ pad.
	The air filter is dirty.	Clean the filter at least every 2 weeks. See the Care and Cleaning section.
	The room may have been hot.	When the air conditioner is first turned on, you need to allow time for the room to cool down.
Air conditioner freezing up	The cooling coils are iced over.	Ice may block the air flow and obstruct the air conditioner from properly cooling the room. Set the mode control at High Fan or High Cool .
Air conditioner runs too often or too long	Area to be cooled is too large for the air conditioner.	Consult your dealer for the air conditioner capacity necessary to cool the desired area.
	Doors or windows are open.	Make sure doors and windows are closed.

BEFORE CALLING FOR SERVICE

<i>Self Diagnosis</i>	<i>Possible Causes</i>	<i>What To Do</i>
Code appears in the display. F1,F2 or F3	Air conditioner is in FAN mode and the number shown is the set fan speed.	This is normal. The air conditioner is working properly.
FL	The water collection tank is full.	Empty the water collection tank. See the Care and Cleaning section.
CH01	Short or open circuit in the indoor air thermistor.	Unplug the air conditioner and contact your authorized LG service center.
CH02	Short or open circuit in the indoor pipe thermistor.	Unplug the air conditioner and contact your authorized LG service center.

LG PORTABLE AIR CONDITIONER LIMITED WARRANTY - USA

WHAT THIS WARRANTY COVERS:

LG Electronics U.S.A., Inc. ("LG") warrants your LG Portable Air Conditioner ("product") against defect in materials or workmanship under normal household use, during the warranty period set forth below, LG will, at its option, repair or replace the product. This limited warranty is valid only to the original retail purchaser of the product, is not assignable or transferrable to any subsequent purchaser or user, and applies only when the product is purchased through an LG authorized dealer or distributor and used within the United States ("U.S.") including U.S. Territories.

Note: Replacement products and repair parts may be new or factory-remanufactured and are warranted for the remaining portion of the original unit's warranty period or ninety (90) days, whichever is longer. Please retain dated receipt or delivery ticket as evidence of the Date of Purchase for proof of warranty (you may be required to submit a copy to LG or authorized representative).

WARRANTY PERIOD:

1 year from the Date of Purchase: **Any internal/ functional Parts and Labor.**

HOW SERVICE IS HANDLED: In-Home Service

In-home service will be provided during the warranty period subject to availability within the United States. In-home service may not be available in all areas. To receive in-home service, the product must be unobstructed and accessible to service personnel. If during in-home service repair cannot be completed, it may be necessary to remove, repair and return the product. If in-home service is unavailable, LG may elect, at our option, to provide for transportation of our choice to and from a LG authorized service center.

THIS LIMITED WARRANTY DOES NOT COVER:

1. Service trips to deliver, pick up, or install the product or for instruction on product use.
2. Replacing house fuses or resetting of circuit breakers, correction of house wiring or plumbing, or correction of product installation.
3. Damage or failure caused by leaky/ broken/ frozen water pipes, restricted drain lines, inadequate or interrupted water supply or inadequate supply of air.
4. Damage or failure caused by accidents, pests and vermin, lightning, wind, fire, floods or acts of God.
5. Damage or failure resulting from misuse, abuse, improper installation, repair or maintenance. Improper repair includes use of parts not approved or specified by LG.
6. Damage or failure caused by unauthorized modification or alteration to the product.
7. Damage or failure caused by incorrect electrical current, voltage, or plumbing codes.
8. Cosmetic damage, including scratches, dents, chips or other damage to the finish of the product, unless such damage results from defects in materials or workmanship and is reported to LG within seven (7) calendar days from the date of delivery.
9. Damage or missing items to any display, open box, discounted, or refurbished product.
10. Product where the original factory serial numbers have been removed, defaced or changed in any way.
11. Repairs when product is used in other than normal and usual household use (e.g. rental, commercial use, offices, or recreational facilities) or contrary to the instructions outlined in the owner's manual.
12. The removal and reinstallation of the Product if it is installed in an inaccessible location.

THIS WARRANTY IS IN LIEU OF ANY OTHER WARRANTY, EXPRESS OR IMPLIED, INCLUDING AND WITHOUT LIMITATION TO, ANY WARRANTY OF MERCHANTABILITY OR FITNESS FOR A PARTICULAR PURPOSE. TO THE EXTENT ANY IMPLIED WARRANTY IS REQUIRED BY LAW, THIS WARRANTY IS LIMITED IN DURATION TO THE TERM PERIOD EXPRESSED ABOVE. REPAIR OR REPLACEMENT AS PROVIDED UNDER THIS WARRANTY IS THE EXCLUSIVE REMEDY FOR THE CUSTOMER. NEITHER THE MANUFACTURER NOR ITS U.S. DISTRIBUTOR SHALL BE LIABLE FOR ANY INCIDENTAL, CONSEQUENTIAL, INDIRECT, SPECIAL, OR PUNITIVE DAMAGES OF ANY NATURE, INCLUDING AND WITHOUT LIMITATION TO, LOST REVENUES OR PROFITS, OR ANY OTHER DAMAGE, WHETHER BASED IN CONTRACT, TORT, OR OTHERWISE.

SOME STATES DO NOT ALLOW THE EXCLUSION OR LIMITATION OF INCIDENTAL OR CONSEQUENTIAL DAMAGES OR LIMITATIONS ON HOW LONG AN IMPLIED WARRANTY LASTS, SO THE ABOVE EXCLUSION OR LIMITATION MAY NOT APPLY TO YOU. THIS WARRANTY GIVES YOU SPECIFIC LEGAL RIGHTS AND YOU MAY ALSO HAVE OTHER RIGHTS THAT VARY FROM STATE TO STATE.

HOW TO OBTAIN WARRANTY SERVICE & ADDITIONAL INFORMATION:

Call 1-800-243-0000 or visit our website at www.lg.com.

Mail to: LG Customer Information Center (ATTN: CIC)
201 James Record Road, Huntsville, AL 35824



Lined writing area consisting of 25 horizontal dotted lines.





LG ELECTRONICS, INC.
1000 Sylvan Ave., Englewood Cliffs, NJ 07632

LG Customer Information Center

1-800-243-0000

Register your product Online!

www.lg.com