

# OPERATOR'S MANUAL

## Self Propelled Mower

English .....	Page 1
Spanish (Español) .....	Page 24
French (Français) .....	Page 48

### Record Product Information

Before setting up and operating your new mower, please locate the model plate on the equipment and record the information in the provided area to the right. You can locate the model plate by standing at the operator's position and looking down at the rear of the deck. This information will be necessary, should you seek technical support via our web site, Customer Support Department, or with a local authorized service dealer.

#### Model Number

#### Serial Number

### WARNING

Read and follow all safety rules and instructions in this manual before attempting to operate this machine.

Failure to comply with these instructions may result in personal injury - SAVE THESE INSTRUCTIONS.

**NOTE:** This Operator's Manual covers several models. Features may vary by model. Not all features in this manual are applicable to all models and the model depicted may differ from yours.



# SAFE OPERATION PRACTICES

## WARNING



This symbol points out important safety instructions which, if not followed, could endanger the personal safety and/or property of yourself and others. Read and follow all instructions in this manual before attempting to operate this machine. Failure to comply with these instructions may result in personal injury.

When you see this symbol, **HEED ITS WARNING!**

## DANGER

This machine was built to be operated according to the safe operation practices in this manual. As with any type of power equipment, carelessness or error on the part of the operator can result in serious injury. This machine is capable of amputating fingers, hands, toes, and feet and throwing debris. Failure to observe the following safety instructions could result in serious injury or death.

### GENERAL INFORMATION

1. Read, understand, and follow all instructions on the mower and in the manual(s) before attempting to assemble and operate. Keep this manual in a safe place for future and regular reference and for ordering replacement parts.
2. Be familiar with all controls and their proper operation.
3. Never allow children under 14 years of age to operate this mower. Children 14 and over should read and understand the instructions and safe operation practices in this manual and on the mower and should be trained and supervised by an adult.
4. Never allow adults to operate this mower without proper instruction.
5. Store mower in a dry, clean area. Do not store next to corrosive materials, such as fertilizer.
6. If situations occur which are not covered in this manual, use care and good judgment. Contact your customer service representative for assistance.
7. According to the U.S. Consumer Products Safety Commission (CPSC) and the U.S. Environmental Protection Agency (EPA), this product has an estimated useful life of seven (7) years, under ordinary use conditions. At the end of its useful life, have the product inspected annually to ensure all mechanical and safety systems are operating properly, safely, and are not worn excessively. Failure to do so may result in accident, injury, or death.
2. To help avoid blade contact or a thrown object injury, stay in the operator zone behind the mower handles. Keep helpers at least 75 feet (23 meters) from the mower while it is in operation. Keep bystanders, children, and pets inside while the mower is in operation. Stop mower if anyone enters the area.
3. Be aware of the mower and attachment discharge direction and do not point the mower discharge at anyone.
4. Always wear safety glasses or safety goggles during operation and while performing an adjustment or repair to protect your eyes. Thrown objects which ricochet can cause serious injury to the eyes.
5. Wear sturdy, rough-soled work shoes and close-fitting slacks and shirts. Loose fitting clothes, jewelry, and long hair can be caught in moving parts. Shirts and pants that cover the arms and legs and steel-toed shoes are recommended.
6. Never operate mower in bare feet, sandals, slippery or light-weight (e.g. canvas) shoes.
7. Never over fill fuel tank. Fill tank to no more than 1" (2.5 cm) below bottom of filler neck to allow space for fuel expansion.
8. Replace gasoline cap and tighten securely.
9. Use only accessories and attachments approved for this mower by the mower manufacturer. Read, understand, and follow all instructions provided with the approved accessory or attachment.

### PREPARATION BEFORE OPERATING

1. Thoroughly inspect the area where the mower is to be used. Remove all stones, sticks, wire, bones, toys, and other foreign objects which could be tripped over or picked up and thrown by the blade(s). Thrown objects can cause serious personal injury.

### OPERATING

1. Data indicates that operators, age 65 years and above, are involved in a large percentage of mower-related injuries. These operators should evaluate their ability to operate the mower safely enough to protect themselves and others from serious injury.
2. Many injuries occur as a result of the mower being pulled over the foot during a fall caused by slipping or tripping. Do not hold on to the mower if you are losing your balance or footing; immediately release the handle.

# SAFE OPERATION PRACTICES

- Never pull the mower back toward you while you are walking. If you must back the mower away from a wall or obstruction first look down and behind to avoid tripping and then follow these steps:
  - Step back from mower to fully extend your arms.
  - Be sure you are well balanced with sure footing.
  - Pull the mower back slowly, no more than half way toward you.
  - Repeat these steps as needed.
- Do not engage the drive control (if equipped) while starting engine.
- The blade control is a safety device. Never attempt to bypass its operation. Doing so makes the safety device inoperative and may result in personal injury through contact with the rotating blade. The blade control must operate freely in both directions and automatically return to the disengaged (off) position when released. The cutting blade continues to rotate for up to 3 seconds after the blade control is released. Never place any part of the body in the blade area until you are certain the blade has stopped rotating.
- If the mower should start to vibrate abnormally, stop the engine and check immediately for the cause. Vibration is generally a warning of trouble.
- Never operate mower without the proper trail shield, discharge cover, grass catcher, blade control, or other safety protective devices in place and working. Never operate mower with damaged safety devices. Failure to do so can result in personal injury.
- When starting engine, pull cord slowly until resistance is felt, then pull rapidly. Rapid retraction of starter cord (kickback) will pull hand and arm toward engine faster than you can let go. Broken bones, fractures, bruises, or sprains could result.
- Do not put hands or feet near rotating parts or under the cutting deck. Contact with the blade(s) can amputate hands and feet.
- Watch for holes, ruts, bumps, rocks, or other hidden objects. Uneven terrain or hidden objects could cause a slip and/or trip accident. Tall grass can hide obstacles.
- Your mower is designed to cut normal residential grass of a height no more than 7" (17.5 cm). Do not attempt to mow through unusually tall, dry grass (e.g., pasture) or piles of dry leaves.
- Plan your mowing pattern to avoid discharge of material toward roads, sidewalks, helpers, and the like. Avoid discharging material against a wall or obstruction which may cause discharged material to ricochet back toward the operator.
- Shut the engine off and wait until the blade comes to a complete stop before removing the grass catcher or unclogging the chute. The cutting blade continues to rotate for up to 3 seconds after the blade control is released. Never place any part of the body in the blade area until you are certain the engine is off and the blade has stopped rotating.
- A missing or damaged discharge door, chute, or mulch plug can cause blade contact or thrown object injuries.
- Do not operate the mower without the discharge door, chute, mulch plug, or the entire grass catcher in its proper place.
- Stop the mower blade when crossing gravel drives, walks, or roads and while not cutting grass.
- Mow only in daylight or good artificial light.
- Do not operate the mower while under the influence of alcohol or drugs.
- The muffler and engine become very hot and can cause serious burn injuries. Do not touch. Allow the mower to cool for at least 5 minutes before storing or attempting any service.
- Never run an engine indoors or in a poorly ventilated area. Engine exhaust contains carbon monoxide, an odorless and deadly gas.

## CHILDREN

- Tragic accidents can occur if the operator is not alert to the presence of children. Children are often attracted to the mower and the mowing activity. They do not understand the dangers. Never assume that children will remain where you last saw them.
- Keep bystanders, children, and pets inside while the mower is in operation under watchful care of a responsible adult other than the operator. Stop mower if anyone enters the area.
- Be alert and turn mower off if a child or bystander enters the area.
- Never allow children under 14 years of age to operate this mower. Children 14 and over should read and understand the instructions and safe operation practices in this manual and on the mower and should be trained and supervised by an adult.
- This mower is a precision piece of power equipment, not a plaything. Therefore, exercise extreme caution at all times. This mower has been designed to perform one job: to mow grass. Do not use it for any other purpose.
- Use extreme care when approaching blind corners, doorways, shrubs, trees, or other objects that may block your vision of a child who may run into the path of the mower.

# SAFE OPERATION PRACTICES

7. Keep children away from hot or running engines. They can suffer burns from a hot engine or muffler.
8. If your mower is equipped with an Electric Start Push Key, remove the key when the mower is unattended to prevent unauthorized operation. Make certain the key is inaccessible to small children.

## SLOPE OPERATION

1. Slopes are a major factor related to slip and fall accidents which can result in severe injury or death. All slopes require extra caution. If you feel uneasy on the slope, do not mow it.
  2. For your safety, measure any slope before using the mower on the sloped area. Use a slope measuring device in addition to the slope gauge included as part of this manual to measure slopes before operating this mower on a sloped or hilly area. Smart phone applications can also be utilized to measure slopes. If the slope is greater than 15° (25%) as shown on the slope gauge or a slope measuring device, do not operate this mower on that area or serious injury could result.
  3. Do not mow on slopes greater than 15° (25%).
  4. Only mow across slopes, never mow up and down slopes.
  5. The mower may speed up when turning downhill, always turn uphill. Maintain control of the mower at all times.
  6. Do not mow on wet grass. Unstable footing could cause slipping.
  7. Do not operate the mower under any conditions where traction or stability is in question. Always be sure of your footing. A slip and fall can cause serious personal injury. If you feel you are losing your balance or footing, release the blade control handle immediately and the blade will stop rotating within 3 seconds.
  8. Stay at least 3 feet (1 meter) from drop-offs, ditches, embankments, or the edge of water. You could lose your balance or footing.
6. Never store the mower or fuel container inside where there is an open flame, spark, or pilot light as on a water heater, space heater, furnace, clothes dryer, or other gas appliances.
  7. If fuel is spilled, wipe it off the engine and mower. Clean up oil or fuel spillage and remove any fuel soaked debris. Move the mower to another area. Wait at least 5 minutes before starting the engine.
  8. To reduce fire hazards, keep mower free of grass, leaves, or other debris build-up. Follow the instructions in the Product Care section to keep your mower free of debris.
  9. Never over fill fuel tank. Fill tank to no more than 1" (25 mm) below bottom of filler neck to allow space for fuel expansion.
  10. Replace gas cap and tighten securely.
  11. Allow a mower to cool at least 5 minutes before fueling or storing.
  12. Never fill containers inside a vehicle or on a truck or trailer bed with a plastic liner. Always place containers on the ground away from your vehicle before filling.
  13. When practical, remove gas-powered equipment from the truck or trailer and refuel it on the ground. If this is not possible, then refuel such equipment on a trailer with a portable container, rather than from a gasoline dispenser nozzle.
  14. Keep the nozzle in contact with the rim of the fuel tank or container opening at all times until fueling is complete. Do not use a nozzle lock-open device.

## SERVICE

1. Keep the mower in good working order. Replace worn or damaged parts.
2. To avoid serious injury or death, do not modify engine in any way. Tampering with the governor setting can lead to a runaway engine and cause it to operate at unsafe speeds. Never tamper with factory setting of engine governor. Do not change the engine governor settings or over-speed the engine. The governor controls the maximum safe operating speed of the engine.
3. Mower blades are sharp. Wrap the blade or wear gloves, and use extra caution when servicing them.
4. Before cleaning, repairing, or inspecting, make certain the blade and all moving parts have stopped. Disconnect the spark plug wire and ground against the engine to prevent unintended starting.
5. Ensure the blade comes to a complete stop within 3 seconds after operating the blade control. If the blade does not stop in less than 3 seconds, your mower must be serviced professionally by an authorized service dealer. Check for proper operation per the Product Care section.

## FIRE AND FUEL

1. To avoid personal injury or property damage use extreme care in handling gasoline. **Gasoline is extremely flammable and the vapors are explosive.** Serious personal injury can occur when gasoline is spilled on yourself or your clothes which can ignite. Wash your skin and change clothes immediately.
2. Extinguish all cigarettes, cigars, pipes, and other sources of ignition.
3. Only use an approved portable fuel (gasoline) container.
4. Never remove gas cap or add fuel while the engine is hot or running. Allow engine to cool at least 5 minutes before refueling.
5. Never fuel the mower indoors.

6. Regularly check the safety interlock system for proper function, as described later in this manual. If the safety interlock system does not function properly, have your mower serviced professionally by an authorized service dealer.
7. Never tamper with the blade control safety interlock or other safety devices. Check for proper operation per the Product Care section.
8. Check the mower blade and engine mounting bolt torque in accordance to the Product Care section in this manual. Also, visually inspect blade for damage (e.g., excessive wear, bent, cracked). Replace the blade with the original equipment manufacturer's (O.E.M.) blade only.
9. Use of service parts which do not meet the original equipment specifications may lead to improper performance and compromise safety.
10. Keep all nuts, bolts, and screws tight to be sure the equipment is in safe working condition. Check all hardware for tightness per the Product Care section.
11. After striking a foreign object, stop the engine, disconnect the spark plug wire(s) and ground against the engine. Thoroughly inspect the mower for any damage. Repair the damage before starting and operating.
12. Never attempt to make wheel cutting height adjustments or repairs to the mower while the engine is running.
13. Grass catcher components and the discharge cover are subject to wear and damage which could expose moving parts or allow objects to be thrown. For safety protection, frequently check components and replace immediately with original equipment manufacturer's (O.E.M.) parts only. Use of parts which do not meet the original equipment specifications may lead to improper performance and compromise safety.
14. Maintain or replace safety and instruction labels, as necessary.
15. Observe proper disposal laws and regulations for gas, oil, etc. to protect the environment.

## NOTICE REGARDING EMISSIONS

Engines which are certified to comply with federal EPA emission regulations for SORE (Small Off Road Equipment) are certified to operate on regular unleaded gasoline, and may include the following emission control systems: Engine Modification (EM) and Three Way Catalyst (TWC), if so equipped.

When required, models are equipped with low permeation fuel lines and fuel tanks for evaporative emission control. Please contact Customer Support for information regarding the evaporative emission control configuration for your model.

## SPARK ARRESTOR

### WARNING

This mower is equipped with an internal combustion engine and should not be used on or near any unimproved forest-covered, brush-covered, or grass-covered land unless the engine's exhaust system is equipped with a spark arrestor meeting applicable local or state laws (if any).

If a spark arrestor is used, it should be maintained in effective working order by the operator. Federal laws apply on federal lands, states may have individual laws.

A spark arrestor for the muffler is available through your nearest engine authorized service dealer or contact the service department, P.O. Box 361131, Cleveland, Ohio 44136-0019.

## Slope Gauge (Back Cover)

### WARNING

Slopes are a major factor related to slip and fall accidents which can result in severe injury or death. All slopes require extra caution. If you feel uneasy on the slope, do not mow it. Do not mow on slopes greater than 15° (25%). Only mow across slopes, never mow up and down slopes.












USE THE SLOPE GAUGE ON THE BACK COVER AS SHOWN TO DETERMINE IF A SLOPE IS TOO STEEP FOR SAFE OPERATION!  
To check the slope, proceed as follows:

1. Open manual to page and fold along the dashed line.
2. Locate a vertical object on or behind the slope (e.g. a pole, building, fence, tree, etc.).
3. Align either side of the slope gauge with the object.
4. Adjust gauge up or down until the left corner touches the slope.
5. If there is a gap below the gauge, the slope is too steep for safe operation.

# SAFE OPERATION PRACTICES

## SAFETY SYMBOLS

This page depicts and describes safety symbols that may appear on this mower. Read, understand, and follow all instructions on the mower before attempting to assemble and operate.

Symbol	Description
 <p><b>OPESymbol.com</b></p>	<p><b>WARNING - READ THE OPERATOR'S MANUAL(S)</b> - Read, understand, and follow all the safety rules and instructions in the manual(s) and on the mower before attempting to operate this mower. Failure to comply with this information may result in personal injury or death. Keep this manual in a safe location for future and regular reference.</p>
	<p><b>DANGER - AVOID AMPUTATION INJURY</b> - Do not put hands or feet near or under the cutting deck. Contact with the blade can amputate hands and feet.</p>
	<p><b>DANGER - AVOID THROWN OBJECT INJURY</b> - Remove all stones, sticks, wire, bones, toys, and other foreign objects which could be picked up and thrown by the blade(s). Stay in the operator zone behind the mower handles. Keep helpers at least 75 feet (23 meters) from mower during operation. Stop mower if anyone enters the area.</p>
	<p><b>DANGER - AVOID CHILD BLADE CONTACT/THROWN OBJECT INJURY</b> - To help avoid blade contact or a thrown object injury, do not mow when children or others are around. Keep bystanders, children, and pets inside while the mower is in operation. Stop mower if anyone enters the area.</p>
	<p><b>DANGER - AVOID THROWN OBJECT INJURY</b> - Do not operate the mower without the trail shield, discharge cover, or entire grass catcher in its proper place. Stay in the operator zone behind the mower handles.</p>
	<p><b>DANGER - ROTATING BLADES</b> - To reduce the risk of injury, keep hands and feet away. Do not operate unless discharge cover or entire grass catcher is in its proper place. If damaged, replace immediately.</p>
	<p><b>DANGER - AVOID SLIP AND FALL ON SLOPES</b> - Slopes are a major factor related to slip and fall accidents which can result in severe injury or death. All slopes require extra caution. If you feel uneasy on the slope, do not mow it. Do not mow on slopes greater than 15° (25%). Only mow across slopes, never mow up and down slopes.</p>
	<p><b>DANGER - AVOID EYE INJURY</b> - Always wear safety glasses or safety goggles during operation and while performing an adjustment or repair to protect your eyes. Thrown objects which ricochet can cause serious injury to the eyes.</p>
	<p><b>DANGER - AVOID TRIPPING INJURY</b> - Never pull the mower back toward you while you are walking. If you must back the mower away from a wall or obstruction first look down and behind to avoid tripping.</p>
	<p><b>WARNING - GASOLINE IS FLAMMABLE</b> - Allow the engine to cool at least 5 minutes before refueling.</p>
	<p><b>WARNING - AVOID BURN INJURY</b> - The muffler and engine become very hot and can cause serious burn injuries. Do not touch. Allow the mower to cool for at least 5 minutes before storing or attempting any service.</p>

## ⚠ WARNING

**Your Responsibility**—Restrict the use of this power machine to persons who read, understand, and follow the warnings and instructions in this manual and on the machine - **SAVE THESE INSTRUCTIONS!**

## ASSEMBLY

**IMPORTANT!** This mower is shipped without gasoline or oil in the engine. Be certain to service engine with gasoline and oil as instructed in the Operation section of the Engine Manual before starting or operating your mower.

**NOTE:** Reference to right and left hand side of the lawn mower is observed from the operating position.

### Unpacking

#### OPENING CARTON

1. Cut each corner of the carton vertically from top to bottom.
2. Remove all loose parts:
  - Grass Catcher (if equipped)
  - Engine Oil

3. Remove loose packing material.

#### REMOVING MOWER FROM CARTON

1. Lift mower from the rear to detach it from underlying carton material and roll mower out of carton.
2. Check carton thoroughly for any other loose parts.
3. Remove any packing material which may be between upper and lower handles.

### Mower Assembly

Perform the following procedures to assemble and set up the mower:

#### • Handle Assembly

- Pull-Out Handle. See page 7.
- Folding Handle. See page 8.
- Vertical Storage Handle. See page 9.
- Recoil Starter Rope Handle Assembly
- Attaching the Grass Catcher (if equipped)
- Attaching Side Discharge Chute or Side Discharge Blower (if equipped)
- Electric Start Set-Up (if equipped)

**NOTE:** Refer to the procedures in Adjustments to adjust the cutting height, handle angle (if equipped) and drive control (if equipped) as necessary.

### Handle Assembly

#### PULL-OUT HANDLE

1. Remove knobs or wing nuts (a) and carriage bolts (b) from the handle, or if equipped with the EZ-lock handle (c), proceed to STEP 2 (Figure 1).

**NOTE:** The EZ-Fold handle release levers are shipped in the unlocked position.

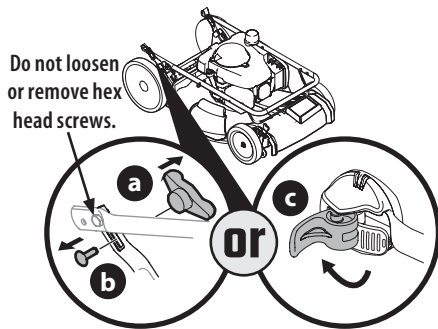


Figure 1

2. Remove T-bolts (d) from the handle brackets (Figure 2).
3. While stabilizing mower so it doesn't move, pivot upper handle (e) up (Figure 2). Do not crimp blade or drive control cables while lifting the handle up.

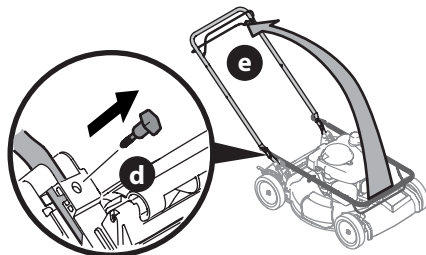


Figure 2

4. Pull upward on the handle (e) (Figure 3) until holes in lower handle (f) line up with holes in handle brackets (g) (Figure 3 inset, deck cutaway).

**NOTE:** When pulling upward on handle, do not pull handle all the way out of the handle brackets.

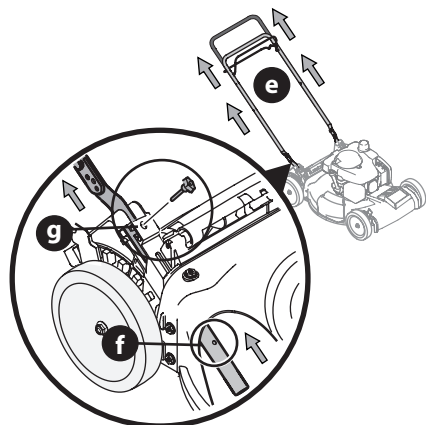


Figure 3

## SET-UP

5. Reattach knobs or wing nuts (a) and carriage bolts (b) removed in STEP 1 into lower holes of the handle or lock the EZ-fold handle release levers (c) (Figure 4).

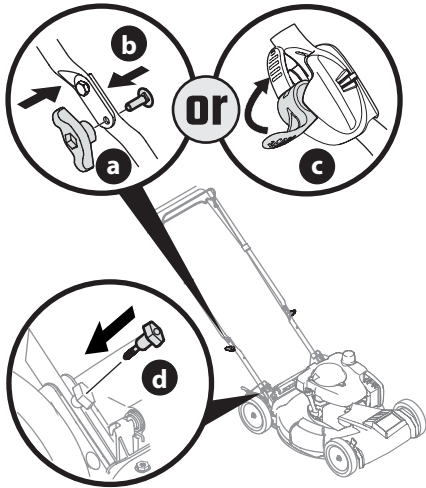


Figure 4

**IMPORTANT!** When locking the EZ-fold handle release lever (c) ensure the position indicator (h) aligns with one of three handle positions (i) (Figure 5).

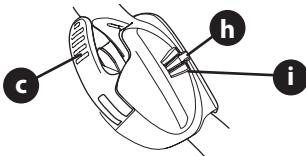


Figure 5

6. Insert the T-bolts (d) removed in STEP 2 through the handle brackets and lower handle (Figure 4) and tighten securely to secure the handle in place.

### FOLDING HANDLE

1. Remove knobs or wing nuts (a) and carriage bolts (b) from the handle, or if equipped with the EZ-lock handle (c), proceed to STEP 2 (Figure 6).

**NOTE:** The EZ-Fold handle release levers are shipped in the unlocked position.

Do not loosen or remove hex head screws.

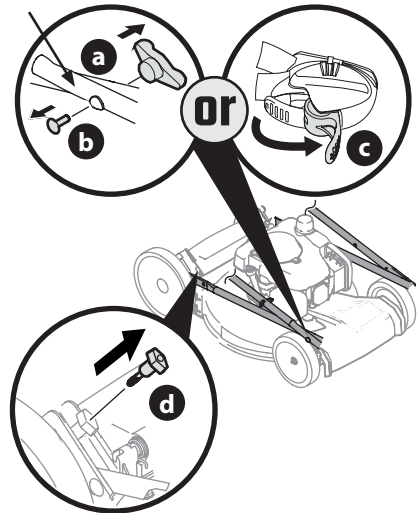


Figure 6

2. Remove the T-bolts (d) from the handle brackets (Figure 6).
3. While stabilizing mower so it doesn't move, gently lift and pivot the upper handle into the operating position (Figure 7). Make certain the lower handle is seated securely into the handle brackets. Do not crimp blade or drive control cables while lifting the handle up.

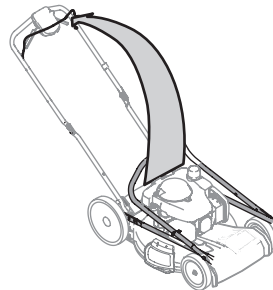


Figure 7

# SET-UP

4. Reattach knobs or wing nuts (a) and carriage bolts (b) removed in STEP 1 into lower holes of the handle or lock the EZ-fold handle release levers (c) (Figure 8).

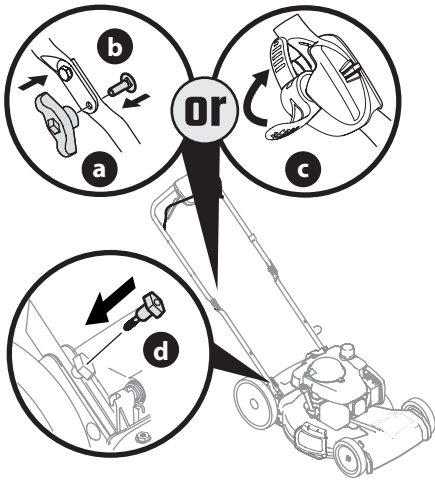


Figure 8

**IMPORTANT!** When locking the EZ-fold handle release lever (c) ensure the position indicator (e) aligns with one of three handle positions (f) (Figure 9).

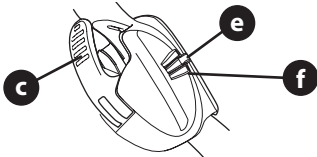


Figure 9

5. Using the T-bolts (d) removed in STEP 2, secure the lower handle to the handle brackets (Figure 8) and tighten securely to secure the handle in place.

## VERTICAL STORAGE HANDLE

1. Remove the four carriage bolts and nuts from the lower handles (Figure 10).

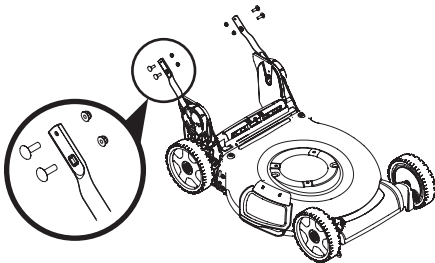


Figure 10

2. Unlock the two handle release levers (Figure 11, inset).

3. Ensure the lower handles are folded forward towards the front of the mower.

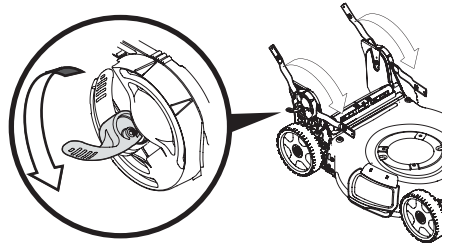


Figure 11

4. Using the four carriage bolts and nuts removed in STEP 1, secure the upper handle to the lower handle. Tighten hardware securely to secure the handle in place (Figure 12).

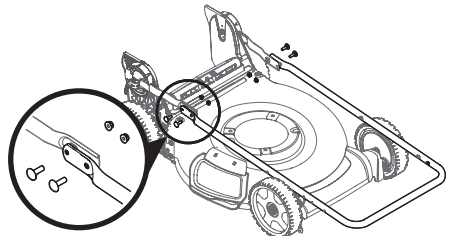


Figure 12

5. While stabilizing mower so it doesn't move, lift the upper handle up (a) (Figure 13). Do not crimp blade or drive control cables while lifting the handle up.
6. When lifting the upper handle ensure the position indicator (b) aligns with one of three handle positions (c) (Figure 13, inset).
7. Lock the two handle release levers (Figure 13, inset).
8. Ensure all hardware is securely tightened.

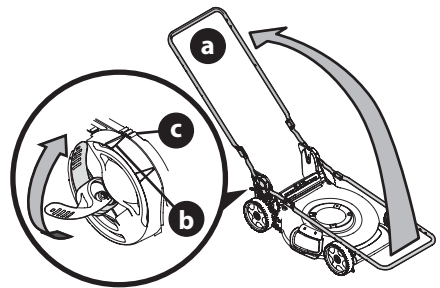


Figure 13

## Recoil Starter Rope Handle Assembly

**NOTE:** The rope guide is attached to the right side of the upper handle. Loosen the knob securing the rope guide (Figure 14).

**NOTE:** Vertical Storage Mowers Only: The recoil starter rope is equipped with a rope stop clamp to prevent the starter rope being pulled into the engine. Do not remove the rope stop clamp.

**NOTE:** Select units include a slip knot in the recoil starter rope to reduce slack during shipping. Ensure slip knot is released before performing this procedure.

1. Hold blade control against upper handle.
2. Slowly pull recoil starter rope handle from engine and slip starter rope into the rope guide.
3. Tighten rope guide knob.

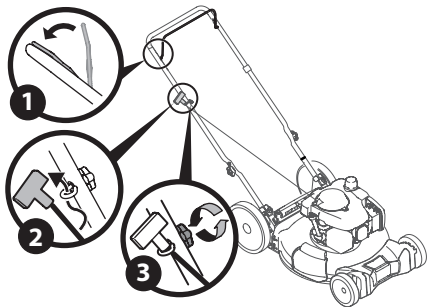


Figure 14

**NOTE:** On select units, use the two cable clips provided to secure blade control and drive cables to lower handle (Figure 15).

**IMPORTANT!** To reduce wear and allow for proper operation, make sure to leave some slack in the upper portion of the cables.

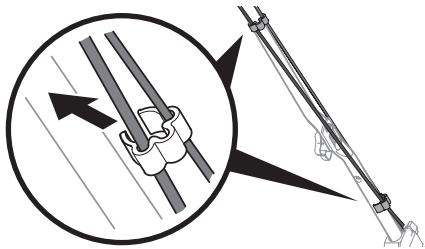


Figure 15

## Attaching the Grass Catcher (if equipped)

1. Perform the following to assemble the grass catcher (Figure 16).

**NOTE:** Before assembling the grass catcher, ensure the grass bag is turned right side out, with the warning label showing on the outside.

- a. Place bag over frame so that its black plastic side is at the bottom.
- b. Slip plastic channels (a) of grass bag over the frame (b).

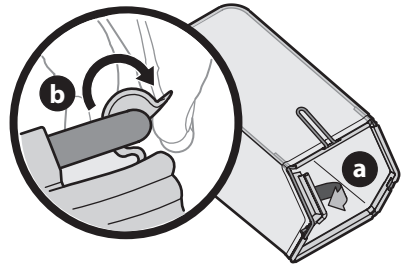


Figure 16

2. Follow steps below to attach grass catcher (Figure 17):
  - a. Lift rear discharge door (a).
  - b. Remove the rear mulch plug (b) (if equipped).
  - c. Place grass catcher into the slots in the handle brackets (c). Lower the discharge door so that it rests on the grass catcher.

**NOTE:** To remove grass catcher, lift rear discharge door on the mower. Lift grass catcher up and off the slots in the handle brackets. Reinstall the rear mulch plug (if equipped). Release rear discharge door to allow it to close rear opening of mower.

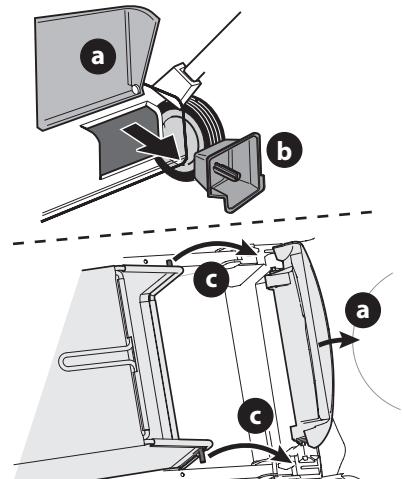


Figure 17

## Attaching Side Discharge Chute or Side Discharge Blower (if equipped)

The mower is shipped as a mulcher. To convert to side discharge or side discharge blower, ensure the grass catcher is removed, the rear mulch plug is installed (if equipped) and the rear discharge door is closed.

1. Lift the mulch plug (Figure 18).
2. Slide the two hooks of the side discharge chute (a) or side discharge blower (b) under the mulch plug hinge pin. Lower the mulch plug (Figure 18).

**IMPORTANT!** Do not remove side mulch plug at any time.

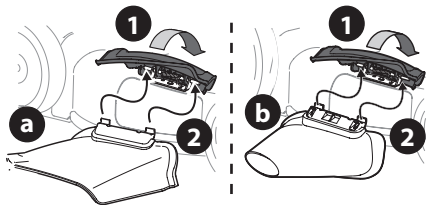


Figure 18

**NOTE:** Some side discharge chutes include a clip to secure the discharge chute to the handle. If equipped, the side discharge chute can be secured to the handle when not in use (Figure 19).



Figure 19

## Electric Start Set-Up (if equipped)

**NOTE:** Mowers equipped with electric start will use either a lead acid battery in an enclosed battery box (see Electric Starter Battery box (if equipped)) or a removable lithium ion battery pack (see Installing/Removing Battery Pack (if equipped)).

### ELECTRIC STARTER BATTERY BOX (IF EQUIPPED)

**NOTE:** Remove cable tie (a) from around battery box. Cable tie is used for shipping only (Figure 20).

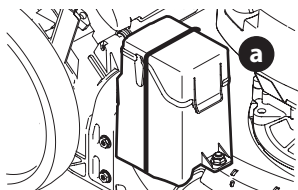


Figure 20

## INSTALLING/REMOVING BATTERY PACK (IF EQUIPPED)

**NOTE:** To ensure maximum performance and life of lithium-ion battery packs, charge the battery fully before first use.

### ⚠ WARNING

Read all safety warnings, instructions, and cautionary markings for the battery pack, charger, and product. Failure to follow the warnings and instructions may result in electric shock, fire, and/or serious injury.

**IMPORTANT!** Refer to instructional manual supplied with battery charger for charging, maintenance and battery disposal instructions.

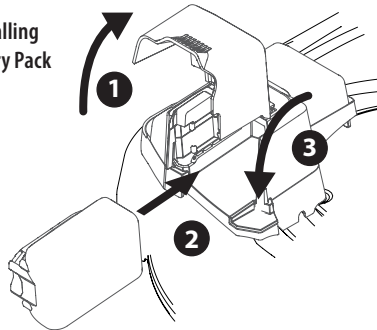
### Installing the Battery Pack (Figure 21):

1. Lift the battery box cover.
2. Insert the battery pack into the battery box. An audible "click" will be heard when the battery is properly connected.
3. Close the battery box cover.

### Removing the Battery Pack (Figure 21):

1. Lift the battery box cover.
2. Press the battery pack release button.
3. Pull the battery pack from the battery box.
4. Close the battery box cover.

### Installing Battery Pack



### Removing Battery Pack

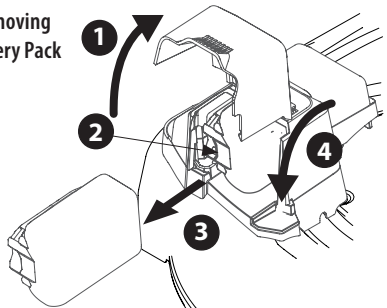


Figure 21

## ADJUSTMENTS

### Cutting Height Adjustments

This mower is equipped with one of three types of cutting height adjustment. Refer to Single Lever, Dual Lever or Rear Wheel/Caster Wheels in this section.

#### SINGLE LEVER

The single lever cutting height adjustment is located above the rear left wheel (Figure 22).

1. Carefully pull the height adjustment lever outward towards wheel (mower will tend to fall when lever is moved outward).
2. Move lever to desired position for a change in cutting height.
3. Release lever towards deck.

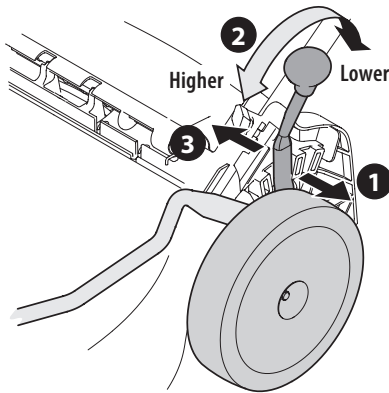


Figure 22

#### DUAL LEVER

**Front Wheel Drive Mowers** - The dual lever cutting height adjustment levers are located above the front and rear right wheels.

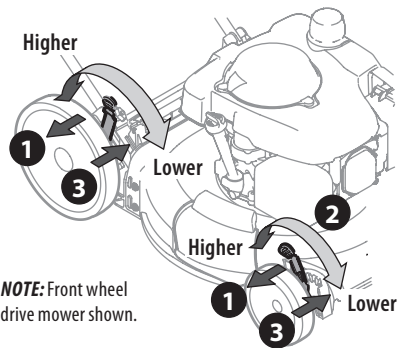
**Rear Wheel Drive Mowers** - The dual lever cutting height adjustment levers are located above the front and rear left wheels.

**NOTE:** Front wheel drive mower shown in Figure 23.

**NOTE:** On select mowers - The front and rear height adjustment levers move in the opposite direction to adjust height.

1. Carefully pull the height adjustment lever outward towards wheel (mower will tend to fall when lever is moved outward).
2. Move lever to desired position for a change in cutting height.
3. Release lever towards deck.

**IMPORTANT!** All wheels must be placed in the same position. For rough or uneven lawns, move each height adjustment lever to a higher position. This will prevent you from cutting the grass too close to the ground.



**NOTE:** Front wheel drive mower shown.

Figure 23

#### REAR WHEEL/CASTER WHEELS

**NOTE:** The rear wheel cutting height adjustment lever is located above the rear left wheel (Inset A, Figure 24).

1. Pull lever out and away from mower.
2. Move lever forward or back for desired cutting height.
3. Release lever towards mower deck.

**NOTE:** The caster wheels cutting height are determined by selecting one of six positions on each caster assembly (Figure 24).

4. Remove wing nut (a) from axle bolt (b). Slide axle bolt from the assembly and select a cutting height.
5. Reinsert axle bolt in the square hole desired through wheel assembly and secure with wing nut removed in STEP 4.

**IMPORTANT!** All wheels must be placed in the same relative position. For rough or uneven lawns, move the height adjustment lever to a higher position. This will stop scalping of grass.

6. The casters can be locked in a straight ahead position or positioned to swivel freely (Inset B, Figure 24).
  - a. Lift lock pins.
  - b. Place in larger holes to lock wheels. Place pins in smaller holes to allow casters to rotate freely for turning.

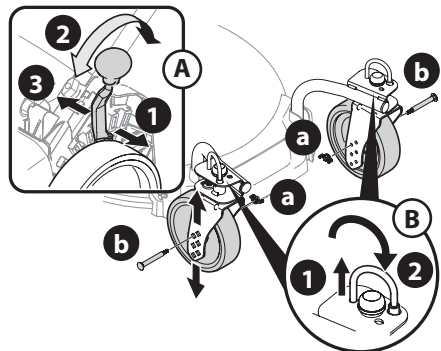


Figure 24

## Handle Pitch (if equipped)

For convenience of operation, you may adjust the pitch of the handle. Perform one of the following.

### PULL-OUT AND FOLDING HANDLES

1. Remove wing nuts and carriage bolts from handle (Figure 25).
2. Position the handle in one of the three positions that is most comfortable (Figure 25, inset).
3. Secure into position with wing nuts and carriage bolts removed in STEP 1.

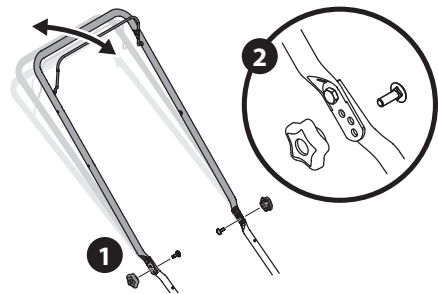


Figure 25

### EZ-FOLD OR VERTICAL STORAGE HANDLES

**NOTE:** For EZ-Fold handles see Figure 26 or for vertical storage handles see Figure 27.

1. Unlock the two handle release levers. See inset.
2. Move the upper handle (a) to align the position indicator (b) with the most comfortable of the three handle positions (c).
3. Lock the two handle release levers. See inset.

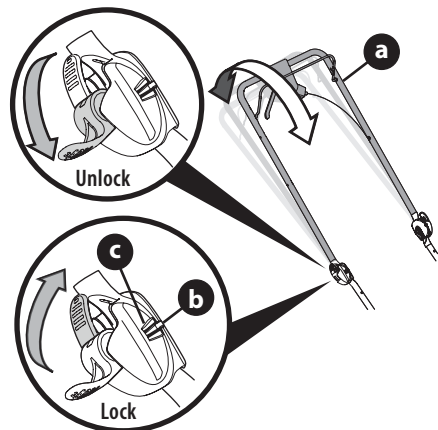


Figure 26

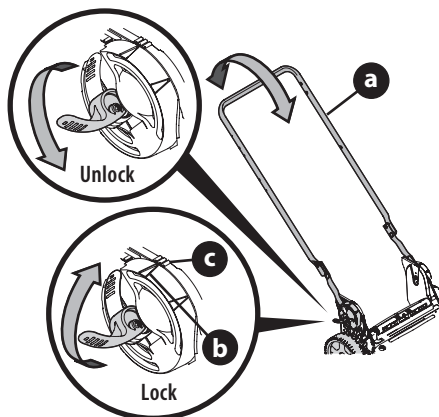


Figure 27

## Drive Control Adjustment

### SINGLE LEVER AND DUAL LEVER DRIVE CONTROLS (IF EQUIPPED)

If equipped, there is an adjustment wheel located in the drive control handle housing that is used to tighten or loosen the drive belt. You will need to adjust the drive control if the mower does not propel itself with the drive control engaged or if the mower's wheels hesitate with the drive control engaged. If either of these conditions occur, rotate adjustment wheel clockwise to tighten cable or counterclockwise to loosen the cable. See Figure 28 for location on Single Lever Drive Control and Figure 29 for Dual Lever Drive Control.

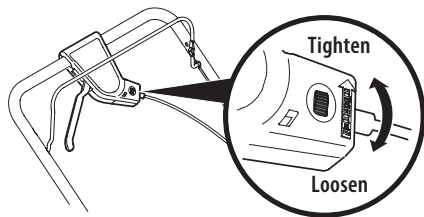


Figure 28

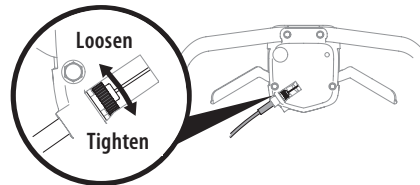


Figure 29

## PREMIUM DRIVE (IF EQUIPPED)

The drive system consists of pulleys, a belt and a cable linking the transmission to the drive handle. As these components wear, adjustment may be needed. To adjust the drive linkage perform the following:

1. Rotate the drive cable fitting located on the left upper handle upward (Figure 30).

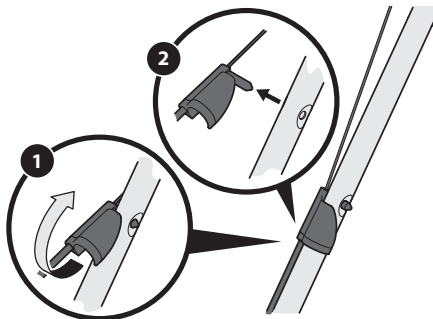


Figure 30

2. Pull the fitting away from the handle.
3. Unhook the cable (a) and remove the metal bushing (b) from the plastic drive handle (Figure 31).

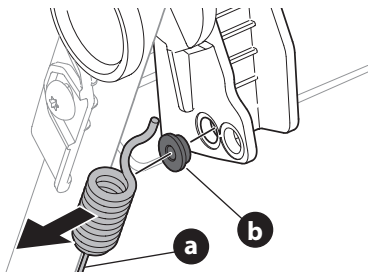


Figure 31

4. Replace bushing in the lower hole and reattach the cable through the bushing and lower hole in the handle (Figure 32).

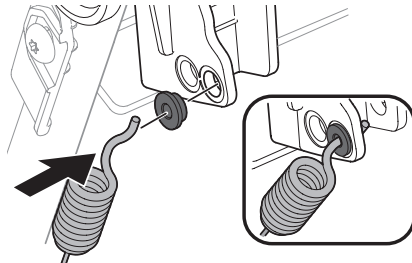


Figure 32

5. Reinsert the drive cable fitting into the upper handle and rotate it downward.
6. Start the mower and check the function of the drive handle.

# OPERATION

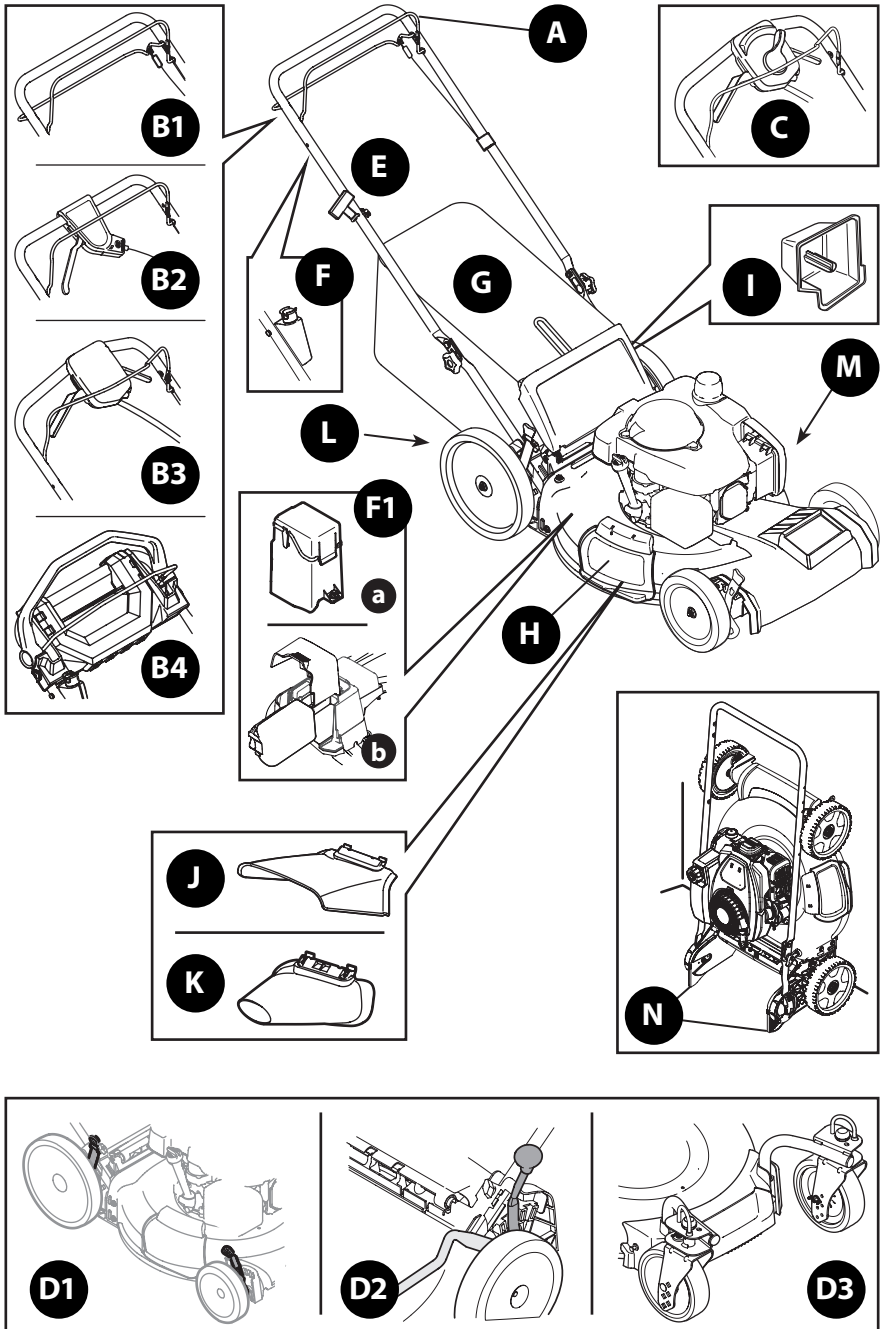


Figure 33

## FEATURES

### A. BLADE CONTROL

The blade control is attached to the upper handle of the mower. Depress and squeeze it against the upper handle to operate the mower. Release the blade control to stop blade and engine.

#### **WARNING**

This blade control is a safety device. Never attempt to bypass its operation.

### B. DRIVE CONTROL

There are four drive control configurations.

- 1. Bail Drive Control (if equipped)** - The bail drive control is located on the underside of the upper handle and is used to engage the drive. Squeeze it against the upper handle to engage the drive; release it to stop mower.
- 2. Single Lever Drive Control (if equipped)** - The single lever drive control is located on top of the upper handle and is used to engage the drive. Squeeze it against the upper handle to engage the drive; release it to slow down or stop mower.
- 3. Dual Lever Drive Controls (if equipped)** - The dual lever drive controls are located on top of the upper handle and are used to engage the drive. Squeeze the right, left, or both right and left controls against the upper handle to engage the drive; release it/them to slow down or stop mower.
- 4. Premium Drive Control (if equipped)** - The premium drive control is located on the upper handle and is used to engage the drive. Pushing the control forward will engage the drive. The farther the control is pushed forward, the faster the mower will propel. Once pressure is released from the control it will return to the neutral position and the drive will be disengaged.

### C. SPEED CONTROL (IF EQUIPPED)

The speed control is located on the variable speed control housing on the upper handle. This control is used to select the forward speed of the mower.

**IMPORTANT!** Move the speed control only when the engine is running. Changing the speed control setting with the engine OFF can damage the mower.

### D. CUTTING HEIGHT ADJUSTMENT LEVER

There are three cutting height adjustment configurations.

- 1. Dual Lever** - The dual lever cutting height adjustment levers are located above the front and rear right wheels. To adjust the cutting height, refer to Cutting Height Adjustments on page 12.
- 2. Single Lever** - The cutting height adjustment lever is located above the rear left wheel. To adjust the cutting height, refer to Cutting Height Adjustments on page 12.

- 3. Rear Wheel/ Caster Wheels** - The rear wheel cutting height adjustment lever is located above the rear left wheel. The caster wheels adjust by moving the wheel bolts to the desired position. To adjust the cutting height, refer to Cutting Height Adjustments on page 12.

### E. RECOIL STARTER

The recoil starter is attached to the right upper handle. Stand behind the mower and pull the recoil starter rope to start the mower.

### F. ELECTRIC STARTER PUSH KEY (IF EQUIPPED)

The electric starter push key is located on the right side of the upper handle. It is both a removable key and push button and is only provided on electric start models.

**NOTE:** Remove the key when the mower is unattended or in storage to prevent unauthorized operation. Keep key in a safe place out of the reach of children.

1. Mowers equipped with electric starters are also equipped with a battery in an enclosed battery box (a) or a removable battery pack (b) (Figure 33 on page 15).

### G. GRASS CATCHER (IF EQUIPPED)

The grass catcher, located at the rear of the mower, is used to collect the grass clippings for disposal. Once the bag is full, remove it up through the handles and empty it before any further mowing.

### H. MULCH PLUG (IF EQUIPPED)

The mulch plug is located on the right side of the mower and is used for mulching purposes (recirculating the clippings back to the lawn).

### I. REAR MULCH PLUG (IF EQUIPPED)

On select mowers, the mulch plug is a separate component. If equipped, this mulch plug must be installed into the rear bagging discharge area when using the mower as a mulcher (recirculating the clippings back to the lawn) or side discharge.

### J. SIDE DISCHARGE CHUTE (IF EQUIPPED)

The side discharge chute is used to discharge grass clippings to the side of the mower instead of collecting the clippings in the grass catcher or using the mower as a mulcher.

#### **WARNING**

Keep hands and feet away from the chute area on cutting deck. Refer to warning label on the unit.

### K. SIDE DISCHARGE BLOWER (IF EQUIPPED)

The side discharge blower is used to blow leaves, grass clippings and debris to the side.

### L. TRAIL SHIELD

The trail shield is attached to the rear of the mower and is there to protect the operator from flying debris. Do not use the mower unless the shield is fully functional and in place.

# OPERATION

## M. DECK WASH (IF EQUIPPED)

Your mower's deck may be equipped with a fast attach deck wash nozzle on its surface as part of its deck wash system. Use the deck wash to rinse grass clippings from the deck's underside.

## N. VERTICAL STORAGE (IF EQUIPPED)

This feature allows the handle to be folded forward and the mower tipped back and stored vertically.

### ⚠ WARNING

Standing a mower without the vertical storage feature in the upright position may cause damage to the engine or cause a fuel or oil leak.

Only mowers with the vertical storage feature include an engine that can be stored in the upright position.

## GASOLINE AND OIL FILL-UP

**IMPORTANT!** Refer to the separate Engine Operator's Manual for additional engine information.

This mower is shipped without gasoline (fuel) or oil in the engine. Be certain to service engine with gasoline and oil as instructed before starting or operating your lawn mower.

1. Add provided oil before starting mower for the first time as instructed in the separate Engine Operator's Manual.
2. Service the engine with gasoline as instructed in the separate Engine Operator's Manual.

### ⚠ WARNING

Use extreme care when handling gasoline. Gasoline is extremely flammable and the vapors are explosive. Never fuel the machine indoors or while the engine is hot or running. Extinguish cigarettes, cigars, pipes, and other sources of ignition.

## CHECKING BATTERY PACK CHARGE (IF EQUIPPED)

### ⚠ WARNING

Read all safety warnings, instructions, and cautionary markings for the battery pack, charger, and product. Failure to follow the warnings and instructions may result in electric shock, fire, and/or serious injury.

**IMPORTANT!** Refer to instructional manual supplied with battery charger for charging, maintenance and battery disposal instructions.

1. Press the battery gauge button on front of the battery pack to check charge level (Figure 34):
  - Charged Battery - One to three lights of the battery gauge will light to show charge level.

- Discharged Battery - If no lights show, charge battery pack. Refer to manual supplied with battery charger for charging instructions.

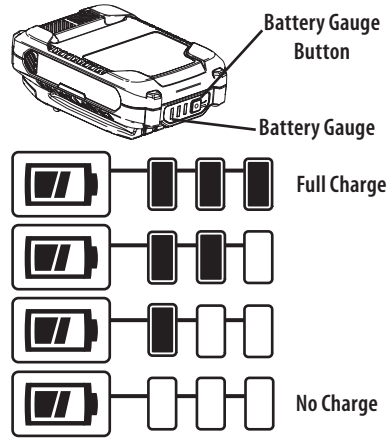


Figure 34

## TO START ENGINE

### ⚠ WARNING

Be sure no one other than the operator is standing near the lawn mower while starting engine or operating mower. Never run engine indoors or in enclosed, poorly ventilated areas. Engine exhaust contains carbon monoxide, an odorless and deadly gas. Keep hands, feet, hair, and loose clothing away from any moving parts on engine and lawn mower.

Refer to the Engine Operator's Manual for instructions on starting and stopping the engine.

## TO STOP ENGINE

Release blade control to stop the engine and blade.

**NOTE:** If equipped with an electric starter push key, remove the key when the mower is unattended to prevent unauthorized operation.

### ⚠ WARNING

Wait for the blade to stop completely before performing any work on the mower or to remove the grass catcher.

Check blade stopping time is within 3 seconds. If blade does not stop within 3 seconds contact your Service Center.

## USING YOUR LAWN MOWER

### ⚠ WARNING

The operation of any lawn mower can result in foreign objects being thrown into the eyes, which can damage your eyes severely. Always wear safety glasses while operating the mower, or while performing any adjustments or repairs.

Be sure lawn is clear of stones, sticks, wire, or other objects which could damage lawn mower or engine. Such objects could be thrown by the blade in any direction and cause serious personal injury to the operator and helpers.

### Bail Drive Control

1. Once the engine is running, squeeze the bail drive control against the upper handle to propel mower.
2. Release the bail drive control to stop mower from propelling.

### Single Lever Drive Control

1. Once the engine is running, squeeze the single lever drive control against the upper handle to propel mower.
2. Release the single lever drive control to slow down or stop mower from propelling.

### Dual Lever Drive Controls

1. Once the engine is running, and while continuing to hold the blade control down, squeeze either (or both) drive controls against the upper handle to propel mower (Figure 35).

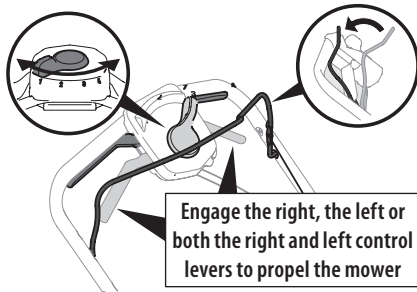


Figure 35

2. Release the dual lever drive controls to slow down or stop mower.
3. Speed Control (if equipped) - To change speed, move speed control to the desired speed.

**NOTE:** When selecting a drive speed, use the first speed until you are comfortable and familiar with the operation of the mower.

**IMPORTANT!** If you are shifting speeds while the mower is stationary it may be difficult to shift into first speed under certain conditions. This is easily remedied by briefly engaging the drive lever.

**NOTE:** Your mower is equipped with an advanced internal drive system for ease of use and smooth shifting. When turning or pulling the unit rearward, you may notice higher than normal resistance in the rear wheels under certain conditions. This is perfectly normal and can be remedied by allowing the unit to roll forward slightly without the drive lever(s) engaged before pulling backwards.

### Premium Drive Control

1. Once the engine is running and while continuing to hold the blade and drive controls together, push the drive control forward to propel mower. The farther the control is pushed forward, the faster the mower will propel (Figure 36).

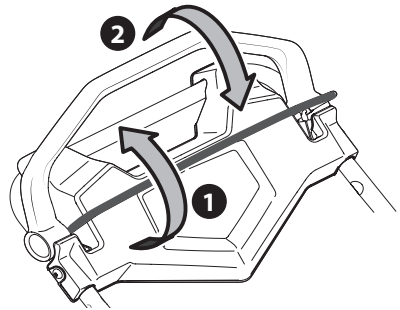


Figure 36

2. Once pressure is released from the control it will return to the neutral position and the drive will be disengaged and mower will stop.

**NOTE:** For ease of use, while gripping the controls, simply lock your wrist and elbows and walk - the unit will automatically adjust to your speed.

### USING SIDE DISCHARGE CHUTE (IF EQUIPPED)

To use the mower without mulching or collecting grass, remove the grass catcher and ensure the rear mulch plug (if equipped) is installed. Allow the rear discharge door to close the rear opening of mower. Refer to Attaching Side Discharge Chute or Side Discharge Blower (if equipped) on page 11.

### USING MOWER AS A MULCHER (IF EQUIPPED)

For mulching grass, remove the grass catcher or side discharge chute from the mower. When you remove the grass catcher from the mower, ensure the rear mulch plug (if equipped) is installed and allow the rear discharge door to close the rear opening of mower. When you remove the side discharge chute, the mulching plug will close. For effective mulching, do not cut wet grass. If the grass has been allowed to grow in excess of 4 inches, mulching is not recommended. Use the grass catcher to collect clippings instead.

# OPERATION

## USING MOWER WITH GRASS CATCHER (IF EQUIPPED)

You can use the grass catcher to collect clippings while you are operating the mower.

1. Attach grass catcher, refer to Attaching the Grass Catcher (if equipped) on page 10. Grass clippings will automatically collect in bag. Operate mower until grass bag is full.
2. Stop engine by releasing the blade control. Make sure that the engine has come to a complete stop.
3. Lift rear discharge door and pull grass bag up and away from the mower to remove the bag. Dispose of the grass clippings and reinstall the bag when complete.

### **⚠ WARNING**

If you strike a foreign object, stop the engine. Disconnect the spark plug wire, thoroughly inspect mower for any damage, and repair damage before restarting and operating. Extensive vibration of mower during operation is an indication of damage. The mower should be promptly inspected and repaired.

## VERTICAL STORAGE MOWER (IF EQUIPPED)

### **⚠ WARNING**

Standing a mower without the vertical storage feature in the upright position may cause damage to the engine or cause a fuel or oil leak.

Only mowers with the vertical storage feature include an engine that can be stored in the upright position.

Do not store the mower outside or in damp area. Store mower in a dry, clean area.

## Storing the Mower

### **⚠ WARNING**

Wait for engine to cool before wiping or storing.

**IMPORTANT!** Before storing the mower in the vertical position ensure the fuel level is at or below the recommended fill level. Refer to the Engine Operator's Manual.

1. Using compressed air or dry rag clean the outside of the mower and remove any debris from around the engine.
2. If equipped, remove the starting key.
3. Unlock the two handle release levers (Figure 37, inset).
4. Fold the handle forward to the storage position (Figure 37). Do not crimp blade control cable or the drive control cable (if equipped) while lowering the handle.
5. Lock the two handle release levers (Figure 37, inset).

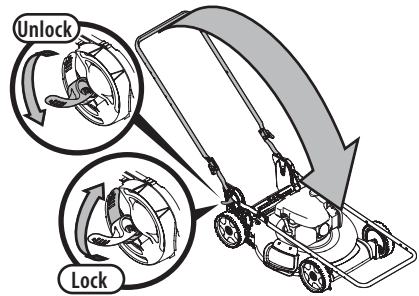


Figure 37

6. Lifting from the handle (a), tilt the mower up onto the rear wheels and back of the handle bracket (b) (Figure 38).
7. Position the mower so that the blade is facing a wall.

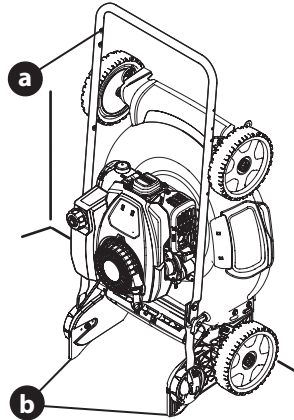


Figure 38

## Removing the Mower from Storage

### **⚠ WARNING**

When moving the mower or unfolding the handle do not put hands or feet near or under the cutting deck. Otherwise serious injury may occur.

To prevent accidentally starting the mower engine when unfolding the handle, do not hold the blade control against the upper handle. Otherwise serious injury may occur.

1. Holding the mower by the upper handle, gently set the mower down on all four wheels.
2. To unfold the handle, unlock the two handle release levers (Figure 37, inset) and perform STEPS 5-8 in Set-up, Vertical Storage Handle on page 9.

## ⚠ WARNING

Before performing any type of maintenance/service, disengage all controls and stop the engine. Wait until all moving parts have come to a complete stop. Allow the engine to cool. Disconnect spark plug wire and ground it against the engine to prevent unintended starting.

## GENERAL RECOMMENDATIONS

- Always observe safety rules on the mower and in the manual(s) when performing any maintenance.
- The warranty on this mower does not cover items that have been subjected to operator abuse or negligence. To receive full value from warranty, operator must maintain the mower as instructed here.
- Changing of engine-governed speed will void engine warranty.
- Check that all hardware is in place and secure and tight before each use and before off season storage.

## LUBRICATION

### Blade Control

Lubricate pivot points on the blade control at least once a season and before storage with light oil. This control must operate freely in both directions (Figure 39).

### Wheels

Lubricate all wheel hubs/axles at least once a season and before storage with light oil (Figure 39).

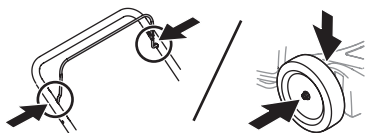


Figure 39

## ENGINE MAINTENANCE

Annually check the engine mounting bolts torque: Min. 29.2 ft-lbs (39.6 N-m), Max. 41.7 ft-lbs (56.3 N-m).

Refer to the Engine Operator's Manual packed with your mower for a detailed description of all engine-related service specifications and storage.

If engine fails to start, runs erratic, overheats, skips (hesitates) or idles poorly refer to the Engine Operator's Manual.

**IMPORTANT!** Check engine oil level before each use. Refer to Engine Operator's Manual.

### Clean Engine

- Before every use, clean grass, chaff or accumulated debris from engine. Keep linkage, spring and controls clean. Keep area around and behind muffler free of any combustible debris.
- Keeping engine clean allows air movement around engine.

- Engine parts should be kept clean to reduce the risk of overheating and ignition of accumulated debris.

## ⚠ CAUTION

Do not use water to clean engine parts. Water could contaminate fuel system. Use a brush or dry cloth.

## MOWER MAINTENANCE

### Deck Wash (if equipped)

Your mower's deck may be equipped with a deck wash system. Use the deck wash to rinse grass clippings from the deck's underside and prevent the buildup of corrosive chemicals. Complete the following steps AFTER EACH MOWING:

1. Push the mower to a level, clear location on your lawn. Ensure your garden hose can reach your mower.

## ⚠ CAUTION

Make certain the mower's discharge chute is directed AWAY from your house, garage, parked cars, etc.

2. Remove the fast attach deck wash nozzle from the mower deck and thread it onto the end of your garden hose.
3. Attach garden hose with the deck wash nozzle to the water port on your deck's surface (Figure 40).
4. Turn the water ON.
5. Start the engine as described in the Engine Operator's Manual.
6. Run the engine for a minimum of two minutes, allowing the underside of the cutting deck to thoroughly rinse.
7. Release blade control to stop the engine and blade.
8. Turn the water OFF and detach the deck wash nozzle from the water port on your deck's surface.
9. After cleaning your deck, restart the mower. Keep the engine and blade running for a minimum of two minutes, allowing the underside of the cutting deck to thoroughly dry.

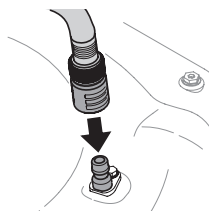


Figure 40

## Deck Cleaning

At least once a season and before storage, clean the underside of the mower deck to prevent build-up of grass clippings or other debris.

1. Allow the engine to run until it is out of fuel. Do not attempt to pour fuel from the engine. Disconnect spark plug wire. Refer to Engine Operator's Manual.
2. Turn mower on its side keeping the muffler side down and making sure that the air filter and the carburetor are facing up. Hold mower firmly.
3. Scrape and clean the underside of the deck with a suitable tool. Do not spray with water.

**IMPORTANT!** Do not use a pressure washer or garden hose to clean your mower. These may cause damage to bearings, or the engine. The use of water will result in shortened life and reduce serviceability.

4. Put the mower back on its wheels on the ground.

## BLADE CARE

### ⚠ WARNING

Wait for the blade to stop completely before performing any work on the mower or to remove the grass catcher.

Check blade stopping time is within 3 seconds. If blade does not stop within 3 seconds contact your Service Center.

### ⚠ WARNING

When removing the cutting blade for sharpening or replacement, protect your hands with a pair of heavy gloves or use a heavy rag to hold the blade.

Annually check the mower blade mounting bolt torque: Min. 37.5 ft-lbs (50.8 N-m), Max. 50.0 ft-lbs (67.8 N-m).

Periodically inspect the blade and blade adapter for bends or cracks, especially if you strike a foreign object or experience excessive vibration. Replace when necessary. Follow the steps below for blade service:

1. Allow the engine to run until it is out of fuel. Do not attempt to pour fuel from the engine.
2. Disconnect spark plug wire. Refer to Engine Operator's Manual.
3. Turn mower on its side keeping the muffler side down and making sure that the air filter and the carburetor are facing up.
4. Remove bolt (a) and blade bell support (b) which hold the blade and the blade adapter to the engine crankshaft (Figure 41).

5. Remove blade (c) and blade adapter (d) from the crankshaft (Figure 41).
6. Remove blade from the blade adapter for testing balance.
  - a. Balance the blade on a round shaft screwdriver to check.
  - b. Remove metal from the heavy side until it balances evenly.

**NOTE:** When sharpening the blade, follow the original angle of grind. Grind each cutting edge equally to keep the blade balanced.

### ⚠ WARNING

An unbalanced blade will cause excessive vibration when rotating at high speeds. It may cause damage to engine and blade could break causing personal injury.

7. Lubricate the engine crankshaft and the inner surface of the blade adapter with light oil (Figure 41, inset).
  - a. Slide the blade adapter (d) onto the engine crankshaft.
  - b. Place the blade on the adapter such that the side of the blade marked "Grass Side" (or with part number) faces the ground when the mower is in the operating position.
  - c. Make sure that the blade is aligned and seated on the blade adapter flanges.
8. Place blade bell support (b) on the blade (c). Align notches on the blade bell support with small holes in blade.
9. Replace hex bolt (a) and tighten hex bolt to torque: Min. 37.5 ft-lbs (50.8 N-m), Max. 50.0 ft-lbs (67.8 N-m).

**NOTE:** To ensure safe operation of your mower, periodically check the blade bolt for correct torque.

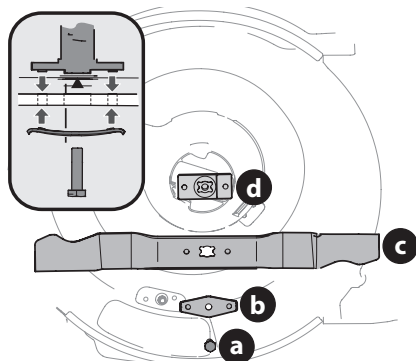


Figure 41

## BELT CARE

A damaged or worn belt may prevent the mower from self-propelling. Periodically inspect the belt and pulley system for damage or wear. If necessary contact an authorized Service Center to have belt replaced.

**NOTE:** Several components must be removed in order to change the mower's drive belt. See an authorized Service Center to have belt replaced.

## REPLACING BATTERY (IF EQUIPPED)

### **⚠ WARNING**

Batteries contain sulfuric acid which may cause burns. Do not short circuit or damage batteries in any way. Do not put batteries in fire as these may burst or release toxic materials.

1. Removing the battery (Figure 42):
  - a. Open the charging port cover (a) and remove the battery box cover (b).
  - b. Disconnect the positive and negative leads from the battery (c).
  - c. Lifting up, remove the battery from the battery box.

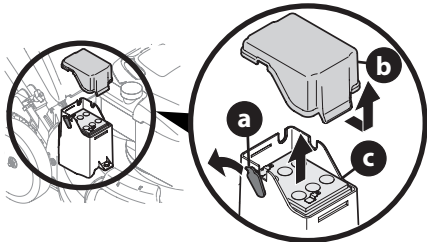


Figure 42

2. Installing the battery (Figure 43):
  - a. Insert the battery (c) into the battery box.
  - b. Connect the positive lead (red) to the positive (+) terminal (d).
  - c. Connect the negative lead (black) to the negative (-) terminal (e).

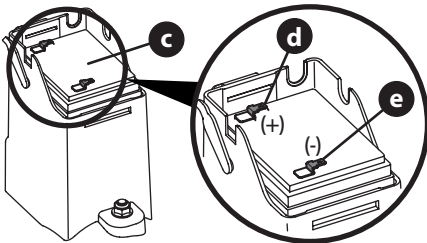


Figure 43

3. Install the battery box cover and close the charging port cover.

## CHARGING BATTERY (IF EQUIPPED)

### **⚠ WARNING**

The battery contains corrosive fluid and toxic material; handle with care and keep away from children. Do not puncture, disassemble, damage, or incinerate the battery. Explosive gases could be vented during charging or discharging. Use in a well-ventilated area, away from sources of ignition.

Charge the battery at initial setup, at end of the season, after extended periods of non-use, and as needed.

The battery may need to be charged more often if stopping and starting the mower frequently during each cut throughout the season, such as when bagging.

**NOTE:** The specially designed plug on the charger lead will only fit into the charging port on the battery box.

**NOTE:** The battery must be stored with a full charge. Extended storage of a discharged battery will reduce life and capacity of the battery. For optimal battery life, charge the battery once per month while in storage.

**IMPORTANT!** Do not remove the battery from the battery box for any reason other than replacement.

1. Open the charging port cover (a) and plug the charger lead (b) into the charging port (c) (Figure 44).
2. Plug the battery charger (d) into a standard 120V household outlet (Figure 44).

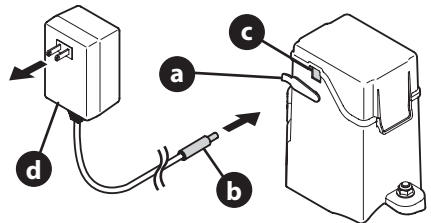


Figure 44

3. Charge battery for 8 to 10 hours before initial use. Do not charge longer than 12 hours.

**IMPORTANT!** Always plug charger lead into charging port first, and then plug battery charger into 120V standard household outlet. Follow this order of steps every time you charge the battery.

4. After charging, disconnect the charger from outlet first, then disconnect the charger lead from the charging port.
5. Close the charging port cover.

## CHARGING THE BATTERY PACK (IF EQUIPPED)

**IMPORTANT!** Refer to instructional manual supplied with battery charger for charging, maintenance and battery disposal instructions (Figure 45).

### ⚠ WARNING

The battery contains corrosive fluid and toxic material; handle with care and keep away from children. Do not puncture, disassemble, mutilate, or incinerate the battery. Explosive gases could be vented during charging or discharging. Use in a well-ventilated area, away from sources of ignition.

### ⚠ WARNING

Read all safety warnings, instructions, and cautionary markings for the battery pack, charger, and product. Failure to follow the warnings and instructions may result in electric shock, fire, and/or serious injury.

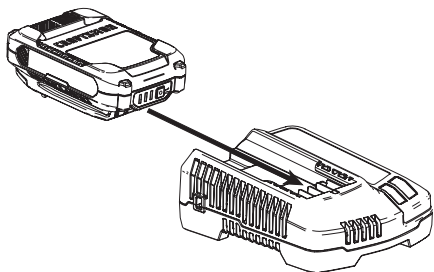


Figure 45

## BATTERY DISPOSAL

**IMPORTANT!** This procedure refers to mowers equipped with a battery in an enclosed battery box. For mowers equipped with a removable battery pack, refer to instructional manual supplied with battery charger for disposal instructions.

### Disposing of Damaged or Worn-Out Batteries

### ⚠ WARNING

The following toxic and corrosive material is used in this battery: SULFURIC ACID, a toxic material.

### ⚠ WARNING

To prevent contamination of the environment, contact your local waste disposal agency for specific instructions before disposing of damaged or worn-out lithium-ion batteries. Take batteries to a local recycling and/or disposal center, certified for lithium-ion battery disposal.

### ⚠ WARNING

Do not use broken or cracked batteries, even if there is no leakage. Replace damaged or worn-out batteries with new batteries. **DO NOT ATTEMPT TO REPAIR BATTERIES!** Repair attempts may result in severe personal injury, due to explosion or electrical shock.

To avoid personal injury and damage to the environment:

- Do not attempt to remove or destroy any of the battery components. Do not open or mutilate the battery. If a leak develops, released electrolytes are corrosive and toxic. Do not get the solution in your eyes or on your skin, and do not swallow it.
- Do not dispose of the battery in the regular household trash.
- Do not dispose of the battery in a fire. The cell may explode.
- Do not dispose of the battery where it will become part of any waste landfill or municipal solid waste stream.
- Cover the battery terminals with heavy-duty adhesive tape.
- Dispose of the battery according to local, state and federal regulations.
- Dispose of the battery promptly.

### Batteries Labeled with the Call2Recycle Battery Seal

#### About Call2Recycle Battery

**Seals** - Call2Recycle's industry steward program helps battery and product manufacturers fulfill recycling requirements in the U.S. and Canada, including compliance with extensive state, provincial and federal regulations, such as the Mercury-Containing and Rechargeable Battery Act (The Battery Act). Call2Recycle® Licensees/Industry Stewards, participating battery and product manufacturers and marketers, purchase the rights to imprint the Call2Recycle Battery Seals on their rechargeable batteries and products. When you see the Call2Recycle Battery Seal, you can feel confident knowing that your battery or product can be safely and responsibly recycled.



**About Call2Recycle** - Since 1994, Call2Recycle has diverted more than 75 million pounds of rechargeable batteries from local landfills and established a network of 30,000 recycling drop-off locations. More than 200 battery and/or product manufacturers, Call2Recycle Industry Stewards, have united to ensure that batteries are responsibly recycled when they reach their end of life and fund the program that is operated by Call2Recycle, Inc., a 501(c)4 nonprofit public service organization.

To locate the nearest recycling center, please call **1-800-822-8837**.

# MANUAL DEL OPERADOR

## Cortadora de césped autopropulsada

Inglés (English).....	Página 1
Español .....	Página 24
Francés (French) .....	Página 48

### Registro de Información del Producto

Antes de configurar y hacer funcionar su nueva cortadora de césped, por favor localice la placa de modelo en el equipo y registre la información en el espacio de la derecha. Encontrará la placa de modelo parándose en la posición del operador y mirando sobre la parte posterior de la plataforma. Necesitará esta información si tiene que solicitar soporte técnico a través de nuestro sitio web, el Departamento de Atención al Cliente, o de un distribuidor local de servicio autorizado.

#### Número de modelo

#### Número de serie

### ADVERTENCIA

Lea y cumpla todas las reglas e instrucciones de seguridad de este manual antes de intentar operar esta máquina.

Si no sigue estas instrucciones, se pueden provocar lesiones personales - GUARDE ESTAS INSTRUCCIONES.

**NOTA:** este Manual del Operador corresponde a varios modelos. Las características pueden variar según los modelos. No todas las características que se incluyen en este manual se aplican a todos los modelos y el modelo que se ilustra aquí puede diferir del suyo.

Formulario No. 769-27024  
(10 de septiembre de 2024)

## ⚠ ADVERTENCIA



Este símbolo indica instrucciones de seguridad importantes que, de no seguirse, pueden poner en peligro su seguridad personal y/o material y la de otras personas. Lea y cumpla todas las instrucciones de este manual antes de intentar hacer funcionar esta máquina. Si no sigue estas instrucciones, se pueden provocar lesiones personales. Cuando vea este símbolo, ¡PRESTE ATENCIÓN A LA ADVERTENCIA!

## ⚠ PELIGRO

Esta máquina está diseñada para ser utilizada respetando las prácticas de operación seguras contenidas en este manual. Al igual que con cualquier tipo de equipo motorizado, un descuido o error por parte del operador puede producir lesiones graves. Esta máquina es capaz de amputar dedos, manos y pies y de arrojar residuos. De no respetar las instrucciones de seguridad siguientes, se pueden ocasionar lesiones graves o la muerte.

## INFORMACIÓN GENERAL

1. Lea, entienda y cumpla todas las instrucciones que figuran sobre la cortadora de césped y en los manuales antes de intentar armar la unidad y utilizarla. Guarde este manual en un lugar seguro para consultas futuras y periódicas, así como para solicitar repuestos.
2. Familiarícese con todos los controles y con el uso adecuado de los mismos.
3. No permita nunca que los niños menores de 14 años utilicen esta cortadora de césped. Los niños de 14 años en adelante deben leer y entender las instrucciones y prácticas de operación seguras contenidas en este manual y sobre la cortadora de césped, y deben ser entrenados y supervisados por un adulto.
4. Nunca permita que los adultos operen esta cortadora de césped sin recibir antes la instrucción apropiada.
5. Almacene la cortadora en una zona limpia y seca. No la almacene cerca de productos corrosivos, como por ejemplo fertilizantes.
6. Si se presentan situaciones que no están previstas en este manual, sea cuidadoso y use el sentido común. Póngase en contacto con su representante de atención al cliente para obtener ayuda.
7. De conformidad con la Comisión de Seguridad de Productos para el Consumidor de los Estados Unidos (CPSC) y la Agencia de Protección Ambiental de los Estados Unidos (EPA), este producto tiene una vida útil estimada de siete (7) años, en condiciones normales de uso. Al final de su vida útil, se deberá solicitar una inspección del producto anualmente a fin de asegurarse de que todos los sistemas mecánicos y de seguridad funcionen adecuadamente, de manera segura y no estén excesivamente desgastados. Si no lo hace, puede ocasionar accidentes, lesiones o la muerte.

## PREPARATIVOS ANTERIORES AL USO

1. Revise minuciosamente el área donde se va a usar la cortadora de césped. Saque todas las piedras, palos, cables, huesos, juguetes y otros objetos extraños con los que podría tropezar o que podrían ser arrojados por la cuchilla. Los objetos arrojados por la máquina pueden producir lesiones personales graves.
2. Para evitar lesiones por contacto con la cuchilla o un objeto arrojado, permanezca en la zona del operador detrás de las manijas de la cortadora. Indique a los asistentes que

permanezcan al menos a 75 pies (23 metros) de la cortadora mientras está en funcionamiento. Mantenga a observadores, niños y mascotas en interiores durante el funcionamiento de la cortadora de césped. Detenga la cortadora de césped si alguien entra en la zona.

3. Esté atento a la cortadora de césped y a la dirección de descarga de los aditamentos y no apunte la descarga de la cortadora en dirección a nadie.
4. Para protegerse los ojos, utilice siempre gafas o anteojos de seguridad mientras opera la máquina y mientras la ajusta o repara. Los objetos arrojados que rebotan pueden producir lesiones graves en los ojos.
5. Utilice zapatos de trabajo resistentes, de suela fuerte, y pantalones y camisas ajustados. Las ropas sueltas, las alhajas y el cabello largo pueden engancharse en las piezas móviles. Se recomienda vestir camisas y pantalones que cubren brazos y piernas y usar zapatos con puntera de acero.
6. Nunca opere la cortadora descalzo, con sandalias, zapatos resbalosos o livianos (por ej. de lona).
7. Nunca llene en exceso el depósito de combustible. Llene el depósito no más de 1" (2.5 cm) por debajo de la base del cuello de llenado dejando espacio para la expansión del combustible.
8. Vuelva a colocar la tapa de la gasolina y ajústela bien.
9. Use sólo implementos y accesorios que el fabricante haya aprobado para esta cortadora de césped. Lea, comprenda y siga todas las instrucciones incluidas con el accesorio o implemento aprobado.

## FUNCIONAMIENTO

1. Las estadísticas indican que los operadores mayores de 65 años se ven involucrados en un alto porcentaje de lesiones relacionadas con cortadoras de césped. Estas personas deben evaluar su capacidad para operar la cortadora de césped de manera suficientemente segura para protegerse a sí mismos y a otros de lesiones graves.
2. Muchas lesiones ocurren como resultado de pasar la cortadora sobre los pies durante una caída provocada al patinarse o tropezarse. No se sostenga de la cortadora si se está cayendo, suelte la manija inmediatamente.
3. Nunca tire la cortadora hacia usted mientras camina. Si debe retroceder con la cortadora para evitar una pared u obstáculo, mire primero abajo y atrás para evitar tropezarse y luego siga estos pasos:

- a. Apártese de la cortadora hasta estirar completamente sus brazos.
  - b. Asegúrese de estar en equilibrio y bien parado.
  - c. Tire de la cortadora lentamente hacia usted, no más allá de la mitad de la distancia que los separa.
  - d. Repita estos pasos según sea necesario.
4. No engrane el control de la transmisión (si se incluye) mientras enciende el motor.
  5. El control de la cuchilla es un dispositivo de seguridad. Nunca intente anular su funcionamiento. De hacerlo, el dispositivo de seguridad quedaría inoperativo y podrían producirse lesiones personales por el contacto con la cuchilla giratoria. El control de la cuchilla debe funcionar bien en ambas direcciones y regresar automáticamente a la posición desengranada cuando se lo suelta. La cuchilla continúa rotando por hasta tres segundos después de que se suelta el control de las cuchillas. Nunca coloque ninguna parte del cuerpo en el área de la cuchilla hasta que esté seguro que la cuchilla ha dejado de girar.
  6. Si la cortadora de césped comienza a vibrar de forma extraña, detenga el motor y busque inmediatamente la causa. La vibración generalmente advierte que hay algún problema.
  7. Nunca opere la cortadora sin estar en su lugar y funcionando el escudo apropiado, la cubierta de descarga, el colector de césped, el control de la cuchilla u otros dispositivos de seguridad y protección. Nunca opere la cortadora si los dispositivos de seguridad están dañados. De lo contrario podrían producirse lesiones personales.
  8. Cuando encienda el motor, jale de la cuerda lentamente hasta que sienta resistencia, luego jale rápidamente. El repliegue rápido de la cuerda de arranque (retroceso o rebote) le jalará la mano y el brazo hacia el motor más rápido de lo que usted tarda en soltarla. Puede llegar a causar huesos rotos, fracturas, hematomas y esguinces.
  9. No ponga las manos ni los pies cerca de las piezas rotatorias ni debajo de la plataforma de corte. El contacto con la(s) cuchilla(s) puede amputar manos y pies.
  10. Esté atento a los hoyos, surcos, baches, rocas, u otros objetos ocultos. Los terrenos desnivelados u objetos ocultos pueden causar derrapes y/o caídas. El césped alto puede ocultar obstáculos.
  11. La cortadora está diseñada para cortar césped residencial normal, con una altura no mayor a 7" (17.5 cm). No intente cortar césped demasiado crecido, seco (como un pastizal) ni pilas de hojas secas.
  12. Planifique el patrón de corte para evitar que la descarga de material se realice hacia caminos, veredas, asistentes, etc. Evite descargar material contra una pared u obstrucción, ya que esto podría hacer que el material descargado rebote contra el operador.
  13. Apague el motor y espere hasta que la cuchilla se detenga completamente antes de retirar el colector de césped o de destapar la tolva. La cuchilla de corte sigue girando por hasta tres segundos después de soltar el control de la cuchilla. Nunca coloque ninguna parte del cuerpo en el área de la cuchilla hasta que esté seguro de que el motor está apagado y la cuchilla ha dejado de girar.
  14. Una puerta de descarga, tolva o adaptador para abono faltante o dañado puede provocar lesiones por contacto con la cuchilla o por objetos arrojados.
  15. Nunca opere la cortadora de césped si no están bien colocados la puerta de descarga, la tolva, el adaptador para abono o el colector de césped completo.
  16. Detenga la cuchilla de la cortadora de césped cuando cruce caminos o senderos de gravilla y cuando no esté cortando el césped.
  17. Corte el césped solamente con luz de día o con una buena luz artificial.
  18. No opere la cortadora de césped estando bajo los efectos del alcohol o de drogas.
  19. El silenciador y el motor están a temperatura muy alta y pueden provocar lesiones graves por quemaduras. No los toque. Deje que se enfríe la cortadora de césped al menos durante 5 minutos antes de almacenarla o intentar cualquier tarea de mantenimiento.
  20. Nunca encienda un motor en interiores o en espacios cerrados o con poca ventilación. El escape del motor contiene monóxido de carbono, un gas inodoro y letal.
- ## NIÑOS
1. Si el operador no está atento a la presencia de niños, se pueden producir accidentes trágicos. Por lo general a los niños les atraen las cortadoras y la actividad de cortar el césped. Los niños no son conscientes de los peligros. Nunca asuma que los niños permanecerán donde los vio por última vez.
  2. Mientras la cortadora está en funcionamiento, mantenga a observadores, niños y mascotas en interiores bajo la atenta supervisión de un adulto responsable que no sea el operador. Detenga la cortadora de césped si alguien entra en la zona.
  3. Esté alerta y apague la cortadora si un niño u observador ingresa al área.
  4. No permita nunca que los niños menores de 14 años utilicen esta cortadora de césped. Los niños de 14 años en adelante deben leer y entender las instrucciones y prácticas de operación seguras contenidas en este manual y sobre la cortadora de césped, y deben ser entrenados y supervisados por un adulto.
  5. Esta cortadora de césped es un equipo motorizado de precisión, no un juguete. Por lo tanto, tenga mucho cuidado en todo momento. Esta cortadora de césped fue diseñada para realizar una sola tarea: cortar el césped. No la utilice para ningún otro fin.
  6. Tenga mucho cuidado al aproximarse a esquinas ciegas, puertas, arbustos, árboles u otros objetos que puedan obstaculizarle la vista de un niño que pudiese correr al encuentro de la cortadora.
  7. Mantenga a los niños alejados de motores en marcha o calientes. Pueden sufrir quemaduras al tocar un motor o silenciador caliente.
  8. Si su cortadora de césped viene equipada con una Llave Pulsadora de Encendido Eléctrico, quite la llave cuando deje sola la cortadora para evitar que una persona sin autorización la maneje. Asegúrese de que la llave quede fuera del alcance de niños pequeños.

## FUNCIONAMIENTO EN PENDIENTES

1. Las pendientes son un factor importante en los accidentes ocasionados por derrapes y caídas y pueden producir lesiones graves o incluso la muerte. Todas las pendientes requieren precaución extra. Si no se siente seguro en una pendiente, no corte el césped.
2. Para su seguridad, antes de usar la cortadora de césped mida cualquier pendiente que haya. Use un dispositivo de medición de pendientes además del indicador de pendiente que se incluye como parte de este manual para medir las pendientes antes de operar esta cortadora de césped en una zona inclinada o con pendientes. Para medir las pendientes, también se pueden usar aplicaciones de teléfonos inteligentes. Si la pendiente es de más de 15° (25%) medida por el indicador de pendiente o un dispositivo de medición de pendientes, no haga funcionar esta cortadora de césped en ese sector pues podría causar lesiones graves.
3. No corte el césped en pendientes de más de 15° (25%).
4. Siempre corte el césped de forma transversal a la pendiente, nunca hacia arriba y hacia abajo.
5. La cortadora de césped podría acelerarse al colocarla cuesta abajo, siempre debe colocarla cuesta arriba. Mantenga siempre el control de la cortadora de césped.
6. No corte el césped húmedo. Si no está firmemente parado, podría resbalarse.
7. No opere la cortadora de césped en ninguna condición en la que se comprometan la tracción o estabilidad. Asegúrese siempre de estar bien afirmado. Si resbala y cae puede lesionarse gravemente. Si siente que pierde el equilibrio o deja de estar bien afirmado, suelte inmediatamente la manija de control de la cuchilla y la cuchilla dejará de girar en 3 segundos.
8. Manténgase a por lo menos 3 pies (1 metro) de barrancos, zanjas o terraplenes o del borde del agua. Podría perder el equilibrio o dejar de estar bien afirmado.

## INCENDIOS Y COMBUSTIBLE

1. Sea sumamente cuidadoso al manipular gasolina para evitar lesiones personales y daños materiales. La gasolina es sumamente inflamable y sus vapores son explosivos. Si se derrama gasolina encima o sobre la ropa se puede lesionar gravemente ya que se podría prender fuego. Lávese la piel y cámbiese de ropa de inmediato.
2. Apague todos los cigarrillos, cigarras, pipas y otras fuentes de encendido.
3. Use sólo un recipiente de combustible (gasolina) portátil aprobado.
4. Nunca saque la tapa del combustible ni agregue combustible mientras el motor está caliente o en marcha. Deje que el motor se enfríe por lo menos 5 minutos antes de volver a cargar combustible.
5. Nunca cargue combustible a la cortadora de césped en interiores.
6. Nunca guarde la cortadora de césped o el recipiente de combustible en un espacio cerrado donde haya una llama abierta, chispas o luz piloto, como por ejemplo de

- calentadores de agua, calefactores de ambientes, hornos, secadores de ropa u otros aparatos a gas.
7. Limpie el combustible que se pueda haber derramado sobre el motor y la cortadora de césped. Limpie los derrames de combustible o aceite y elimine los residuos empapados con gasolina. Traslade la cortadora de césped a otra zona. Espere al menos 5 minutos antes de arrancar el motor.
8. Para reducir el riesgo de incendio mantenga la cortadora limpia de pasto, hojas y de acumulación de otros escombros. Siga las instrucciones de la sección Cuidado del producto para mantener su cortadora de césped libre de residuos.
9. Nunca llene en exceso el depósito de combustible. Llene el depósito no más de 1" (25 mm) por debajo de la base del cuello de llenado, para dejar espacio para la expansión del combustible.
10. Vuelva a colocar la tapa de la gasolina y ajústela bien.
11. Deje que la cortadora de césped se enfríe por lo menos 5 minutos antes de cargarle combustible o guardarla.
12. Nunca llene los recipientes en el interior de un vehículo o camión o caja de remolque con recubrimientos plásticos. Siempre ubique los recipientes en el piso, lejos del vehículo antes de llenarlos.
13. Cuando sea factible, retire el equipo a gasolina del camión o remolque y apóyelo en el suelo para llenarlo. Si esto no es posible, recargue combustible sobre el remolque con un recipiente portátil, en lugar de una boquilla dosificadora de gasolina.
14. Mantenga la boquilla dispensadora en contacto con el borde del depósito de combustible o con la boca del recipiente en todo momento, hasta terminar de cargar. No utilice un dispositivo de bloqueo/apertura de boquilla.

## SERVICIO Y MANTENIMIENTO

1. Mantenga la cortadora de césped en buenas condiciones de funcionamiento. Reemplace las piezas dañadas o gastadas.
2. Para evitar lesiones graves o la muerte, no modifique el motor de ninguna manera. Si cambia la configuración del regulador, el motor podría funcionar a velocidades inseguras. Nunca modifique el ajuste de fábrica del regulador del motor. No cambie la configuración del regulador del motor ni acelere demasiado el motor. El regulador del motor controla la velocidad máxima segura de funcionamiento del motor.
3. Las cuchillas de las cortadoras de césped son filosas. Envuelva la cuchilla o utilice guantes y exteme las precauciones cuando les haga mantenimiento.
4. Antes de limpiar, reparar o inspeccionar la máquina, compruebe que la cuchilla y todas las partes móviles se hayan detenido. Desconecte el cable de la bujía y póngalo de manera que haga masa contra el motor para evitar que se encienda accidentalmente.
5. Verifique que la cuchilla se haya detenido por completo dentro de los 3 segundos de operar el control de la cuchilla. Si la cuchilla no se detiene en menos de tres segundos, su cortadora de césped debe ser revisada por profesionales de un distribuidor de servicio autorizado. Consulte el funcionamiento correcto en la sección Cuidado del producto.

6. Controle periódicamente el funcionamiento del sistema de enclavamiento de seguridad, tal como se describe más adelante en este manual. Si el sistema de enclavamiento de seguridad no funciona correctamente, lleve su cortadora de césped a hacerle un servicio profesional de un distribuidor autorizado.
7. Nunca altere el enclavamiento de seguridad del control de la cuchilla u otros dispositivos de seguridad. Consulte el funcionamiento correcto en la sección Cuidado del producto.
8. Controle el par de ajuste del perno de montaje del motor y cuchilla de la cortadora de césped de acuerdo con la sección Cuidado del producto de este manual. Además, inspeccione visualmente la cuchilla en busca de daños (por ejemplo, desgaste excesivo, abolladuras, rajaduras). Reemplace la cuchilla únicamente por la cuchilla del fabricante del equipo original (O.E.M.).
9. El uso de piezas que no cumplen con las especificaciones del equipo original puede resultar en un rendimiento inadecuado y poner en peligro la seguridad.
10. Mantenga todas las tuercas, pernos y tornillos bien ajustados para asegurarse de que la máquina se encuentra en condiciones de funcionamiento seguras. Controle el ajuste de todos los elementos de ferretería de acuerdo con la sección Cuidado del producto.
11. Después de golpear contra algún objeto extraño, detenga el motor, desconecte el(los) cable(s) de bujía y conecte el motor a masa. Inspeccione minuciosamente la cortadora de césped para determinar si está dañada. Repare el daño antes de volver a arrancar y operar la máquina.
12. Nunca intente ajustar una rueda o la altura de corte ni efectuar reparaciones mientras el motor está en marcha.
13. Los componentes del colector de césped y la cubierta de descarga están sujetos a desgaste y daños que podrían dejar expuestas piezas que se mueven o permitir que se arrojen objetos. Para proteger su seguridad, verifique frecuentemente los componentes y reemplácelos inmediatamente por piezas del fabricante del equipo original (O.E.M.) únicamente. El uso de piezas que no cumplen con las especificaciones del equipo original podría producir un rendimiento inadecuado y además puede comprometer la seguridad.
14. Mantenga o reemplace las etiquetas de seguridad e instrucciones según sea necesario.
15. Respete las leyes y reglamentaciones referentes a la eliminación correcta de combustible, aceite, etc. para proteger el medio ambiente.

## AVISO SOBRE EMISIONES

Los motores tienen la certificación de cumplimiento de las reglamentaciones de federales para SORE (equipo pequeño para uso fuera de carreteras), funcionan con gasolina normal y pueden incluir los siguientes sistemas de control de emisiones: Modificación de motor (EM) y catalizador de tres vías (TWC) si están equipados con esos sistemas.

Cuando sea necesario, los modelos están equipados con líneas de combustible y depósitos de combustible de baja penetración para controlar las emisiones por evaporación. Por favor, póngase en contacto con Atención al cliente para obtener información sobre la configuración del control de emisiones por evaporación para su modelo.

## AMORTIGUADOR DE CHISPAS

### ADVERTENCIA

**Esta cortadora de césped está equipada con un motor de combustión interna y no debe ser utilizada en o cerca de un terreno agreste cubierto por bosque, malezas o hierba a manos que el sistema de escape del motor esté equipado con un amortiguador de chispas que cumpla con las leyes locales o estatales correspondientes (en caso de existir).**

Si se utiliza un amortiguador de chispas, el operador lo debe mantener en condiciones de uso adecuadas. Las leyes federales se aplican en territorios federales, mientras que los estados pueden tener leyes individuales.

Puede conseguir el amortiguador de chispas para el silenciador a través de su distribuidor autorizado de motores más cercano o poniéndose en contacto con el departamento de servicios, P.O. Box 361131, Cleveland, Ohio 44136-0019.

## INDICADOR DE PENDIENTE (CUBIERTA POSTERIOR)

### ADVERTENCIA

**Las pendientes son un factor importante en los accidentes ocasionados por derrapes y caídas y pueden producir lesiones graves. Todas las pendientes requieren precaución extra. Si no se siente seguro en una pendiente, no corte el césped. No corte el césped en pendientes de más de 15° (25%). Siempre corte el césped de forma transversal a la pendiente, nunca hacia arriba y hacia abajo.**












PARA DETERMINAR SI UNA PENDIENTE ES DEMASIADO EMPINADA Y EVITAR RIESGOS, USE EL INDICADOR DE PENDIENTE QUE APARECE EN LA CUBIERTA POSTERIOR COMO SE MUESTRA.

Para comprobar la pendiente, proceda de la siguiente manera:

1. Abra el manual en la página y dóblela por la línea de puntos.
2. Ubique un objeto vertical que esté sobre la pendiente o detrás de la misma (p. ej., un poste, un edificio, un cerco, un árbol, etc.).
3. Alinee cualquiera de los lados del indicador de pendiente con el objeto.
4. Ajuste el indicador hacia arriba o abajo hasta que la esquina izquierda toque la pendiente.
5. Si hay una separación por debajo del indicador, significa que la pendiente es demasiado empinada para una operación segura.

## SÍMBOLOS DE SEGURIDAD

En esta página, se presentan y describen los símbolos de seguridad que pueden aparecer en esta cortadora de césped. Lea, comprenda y siga todas las instrucciones que aparecen sobre la cortadora de césped antes de intentar armarla y hacerla funcionar.

Símbolo	Descripción
 <p><b>OPESymbol.com</b></p>	<p><b>ADVERTENCIA - LEA EL MANUAL DEL OPERADOR</b> - Lea, entienda y cumpla todas las reglas e instrucciones de seguridad que se incluyen en el manual y sobre la cortadora de césped antes de intentar utilizar esta cortadora. Si no cumple con lo que indica esta información, se pueden provocar lesiones personales o la muerte. Conserve este manual en un lugar seguro para usarlo como referencia futura habitual.</p>
	<p><b>PELIGRO - EVITE LESIONES DE AMPUTACIÓN</b> - No ponga las manos ni los pies cerca o debajo de la plataforma de corte. El contacto con las cuchillas puede producir la amputación de manos y pies.</p>
	<p><b>PELIGRO - EVITE LESIONES POR OBJETOS ARROJADOS</b> - Saque todas las piedras, palos, cables, huesos, juguetes y demás objetos extraños que puedan ser recogidos y arrojados por la(s) cuchilla(s) permanezca en la zona del operador detrás de las manijas de la cortadora. Indique a los asistentes que permanezcan al menos a 75 pies (23 metros) de la cortadora mientras está en funcionamiento. Detenga la cortadora de césped si alguien entra en la zona.</p>
	<p><b>PELIGRO - EVITE EL CONTACTO CON LA HOJA DEL NIÑO/LESIONES CON OBJETOS LANZADOS</b> - Para evitar lesiones por contacto con la cuchilla o un objeto arrojado, no corte el césped cuando haya niños u otras personas cerca. Mantenga a observadores, niños y mascotas en interiores durante el funcionamiento de la cortadora de césped. Permanezca en la zona del operador detrás de las manijas de la cortadora.</p>
	<p><b>PELIGRO - EVITE LESIONES POR OBJETOS ARROJADOS</b> - Nunca opere la cortadora de césped si no está bien colocada la cubierta de descarga o el colector de césped completo. Permanezca en la zona del operador detrás de las manijas de la cortadora.</p>
	<p><b>PELIGRO - CUCHILLAS GIRATORIAS</b> - Para reducir el riesgo de lesiones, mantenga alejados manos y pies. No haga funcionar sin que la tapa de descarga o el colector de césped se encuentren en el lugar que corresponde. Si están dañados, reemplácelos inmediatamente.</p>
	<p><b>PELIGRO - EVITE DERRAPES Y CAÍDAS EN PENDIENTES</b> - Las pendientes son un factor importante en los accidentes ocasionados por derrapes y caídas y pueden producir lesiones graves. Todas las pendientes requieren precaución extra. Si no se siente seguro en una pendiente, no corte el césped. No corte el césped en pendientes de más de 15° (25%). Siempre corte el césped de forma transversal a la pendiente, nunca hacia arriba y hacia abajo.</p>
	<p><b>PELIGRO - EVITE LESIONES OCULARES</b> - Para protegerse los ojos, utilice siempre gafas o anteojos de seguridad mientras opera la máquina y mientras la ajusta o repara. Los objetos arrojados que rebotan pueden producir lesiones graves en los ojos.</p>
	<p><b>PELIGRO - EVITE LESIONES POR TROPIEZOS</b> - Nunca tire la cortadora hacia usted mientras camina. Si debe retroceder con la cortadora para evitar una pared u obstáculo, mire primero abajo y atrás para evitar tropezarse.</p>
	<p><b>ADVERTENCIA - LA GASOLINA ES INFLAMABLE</b> - Deje que el motor se enfríe por lo menos 5 minutos antes de volver a cargar combustible.</p>
	<p><b>ADVERTENCIA - LESIÓN POR QUEMADURAS</b> - El silenciador y el motor están a temperatura muy alta y pueden provocar lesiones graves por quemaduras. No los toque. Deje que se enfríe la cortadora de césped al menos durante 5 minutos antes de almacenarla o intentar cualquier tarea de mantenimiento.</p>

## ⚠ ADVERTENCIA

**Su responsabilidad**— Limite el uso de esta máquina motorizada a las personas que lean, comprendan y respeten las advertencias e instrucciones que figuran en este manual y en la máquina. - ¡GUARDE ESTAS INSTRUCCIONES!

## MONTAJE

**¡IMPORTANTE!** Esta cortadora de césped se envía sin gasolina ni aceite en el motor. Antes de poner en marcha u operar su cortadora de césped, asegúrese de cargar el motor con gasolina y aceite como se indica en la sección Funcionamiento del manual del motor.

**NOTA:** las referencias a los lados derecho e izquierdo de la cortadora de césped se hacen observando la máquina desde la posición de operación.

## Desempaque

### APERTURA DE LA CAJA DE CARTÓN

1. Corte cada una de las esquinas de la caja verticalmente, de la parte superior a la base.
2. Saque todas las piezas sueltas:
  - Colector de Césped (si se incluye)
  - Aceite del motor
3. Quite el material de empaque suelto.

### RETIRO DE LA CORTADORA DE CÉSPED DE LA CAJA

1. Eleve la cortadora de césped desde la parte posterior para separarla del material de la caja que quede debajo y haga rodar la cortadora de césped fuera de la caja.
2. Verifique cuidadosamente si en la caja queda alguna parte suelta.
3. Retire el material de empaque que pudiera estar entre las manijas superior e inferior.

## Montaje de la cortadora de césped

Para montar y armar la cortadora de césped, siga los siguientes pasos:

- Montaje de la manija
  - Manija de extracción. Consulte la página 30.
  - Plegado de la manija. Consulte la página 31.
  - Manija de Almacenamiento Vertical. Consulte la página 32.
- Montaje de la manija de cuerda del arrancador de retroceso
- Acople del colector de césped (si se incluye)
- Colocación del canal de descarga lateral o del soplador de descarga lateral (si se incluye)
- Configuración del arranque eléctrico (si se incluye)

**NOTA:** consulte los procedimientos en Ajustes para configurar la altura de corte, el ángulo de maniobra (en caso de suministrarse) y el control de dirección (en caso de suministrarse), según sea necesario.

## Montaje de la manija

### MANIJA DE EXTRACCIÓN

1. Extraiga las perillas o las tuercas de mariposa (a) y los pernos de carro (b) de la manija o, si se incluye la manija de bloqueo EZ (c), prosiga al PASO 2 (Figura 1).

**NOTA:** las palancas de liberación de la manija plegable EZ-Fold se envían en posición destrabada.

No afloje o quite los tornillos de cabeza hexagonal.

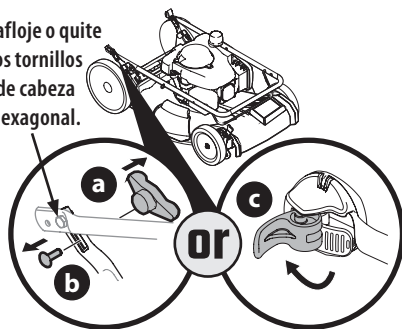


Figura 1

2. Extraiga los pernos T (d) de los soportes de la manija (Figura 2).
3. Mientras estabiliza la cortadora de césped para que no se mueva, gire la manija superior (e) hacia arriba (Figura 2). No preñe los cables del control de la transmisión o de la cuchilla mientras levanta la manija.

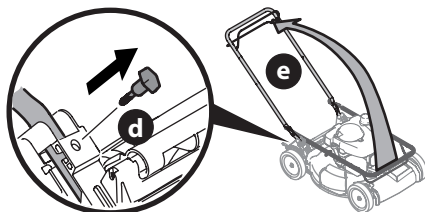


Figura 2

4. Tire de la manija (e) hacia arriba (Figura 3 a la página 31) hasta que los orificios de la manija inferior (f) queden alineados con los orificios de los soportes de la manija (g) (Figura 3 a la página 31, recuadro, corte transversal de la plataforma).

**NOTA:** cuando tira hacia arriba la manija, no tire de la manija por completo para evitar que se salga de los soportes de la manija.

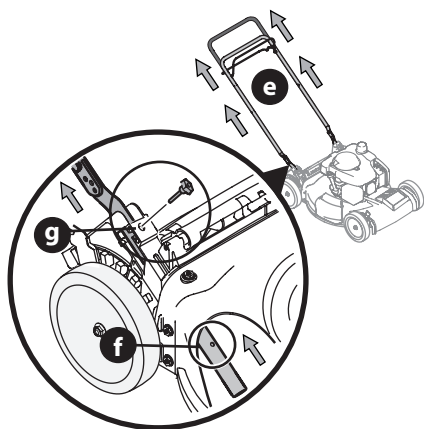


Figura 3

5. Vuelva a ajustar las perillas o las tuercas de aletas (a) y los pernos de carro (b) que se extrajeron en el PASO 1 en los orificios inferiores de la manija o trabe las palancas de liberación de la manija EZ-fold (c) (Figura 4).

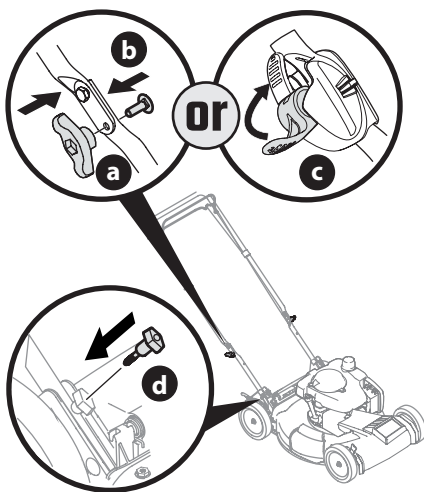


Figura 4

**¡IMPORTANTE!** Al trabar la palanca de liberación de la manija EZ-fold (c) asegúrese de que el indicador de posición (h) quede alineado con una de las tres posiciones de la manija (i) (Figura 5).

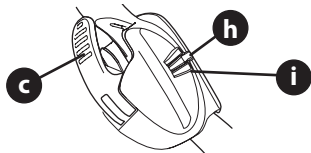


Figura 5

6. Inserte los pernos T (d) que se extrajeron en el PASO 2 a través de los soportes de la manija y la manija inferior (Figura 4) y ajuste bien para asegurar la manija en su lugar.

## PLEGADO DE LA MANIJA

1. Extraiga las perillas o las tuercas de mariposa (a) y los pernos de carro (b) de la manija o que se incluyen con la manija de bloqueo EZ (c), prosiga al PASO 2 (Figura 6).

**NOTA:** las palancas de liberación de la manija plegable EZ-Fold se envían en posición destrabada.

No afloje o quite los tornillos de cabeza hexagonal.

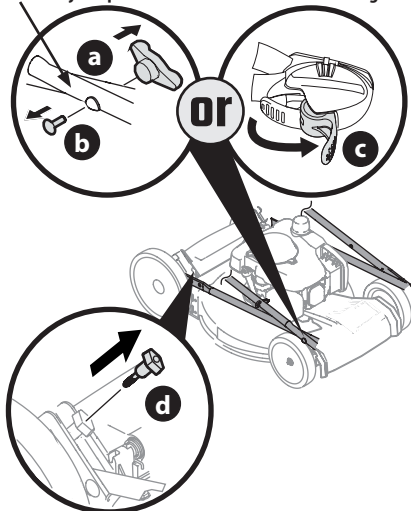


Figura 6

2. Extraiga los pernos T (d) de los soportes de la manija (Figura 6).
3. Mientras se estabiliza la cortadora de césped para que no se mueva, levante y gire suavemente la manija superior hasta la posición de funcionamiento (Figura 7). Asegúrese de que la manija inferior esté asentada firmemente sobre los soportes de la manija. No presione los cables del control de la transmisión o de la cuchilla mientras levanta la manija.

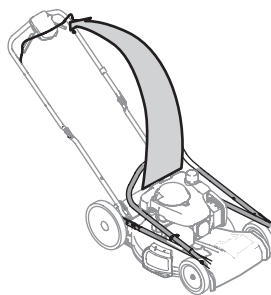


Figura 7

- Vuelva a ajustar las perillas o las tuercas de aletas (a) y los pernos de carro (b) que se extrajeron en el PASO 1 en los orificios inferiores de la manija o trabe las palancas de liberación de la manija EZ-fold (c) (Figura 8).

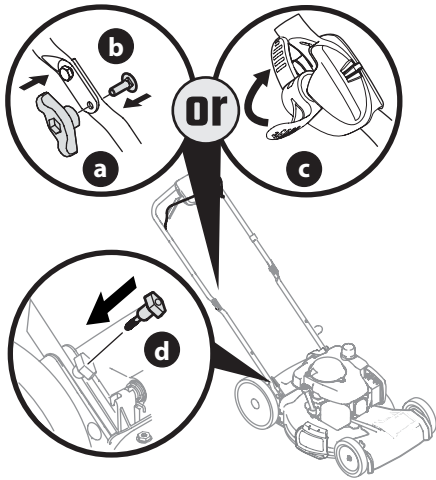


Figura 8

**¡IMPORTANTE!** Al trabar la palanca de liberación de la manija EZ-fold (c) asegúrese de que el indicador de posición (e) quede alineado con una de las tres posiciones de la manija (f) (Figura 9).

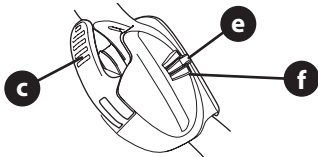


Figura 9

- Con los pernos T (d) que se extrajeron en el PASO 2, asegure la manija inferior a los soportes de la manija (Figura 8) y ajuste bien para asegurar la manija en su lugar.

## MANIJA DE ALMACENAMIENTO VERTICAL

- Retire los cuatro pernos de carro y las tuercas de las manijas inferiores (Figura 10).

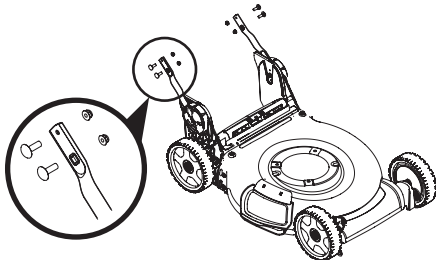


Figura 10

- Destrahe las dos palancas de liberación de manija. Vea el recuadro de la Figura 11.

- Asegúrese de que las manijas inferiores queden plegadas hacia adelante orientadas hacia el frente de la cortadora de césped.

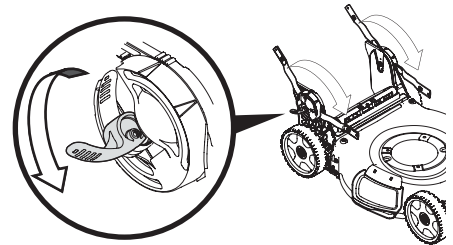


Figura 11

- Usando los cuatro pernos de carro y las tuercas que se extrajeron en el PASO 1, asegure la manija superior a la manija inferior. Ajuste los herrajes firmemente para asegurar la manija en su lugar (Figura 12).

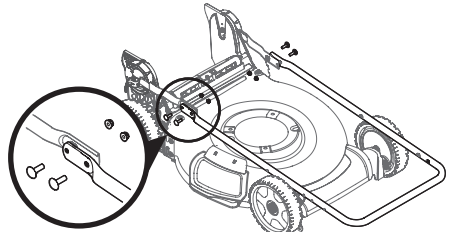


Figura 12

- Mientras estabiliza la cortadora de césped para que no se mueva, levante la manija superior (a) (Figura 13). No presione los cables del control de la transmisión o de la cuchilla mientras levanta la manija.
- Cuando levante la manija superior, asegúrese de que el indicador de posición (b) esté alineado con una de las tres posiciones de la manija (c). Vea el recuadro de la Figura 13.
- Trabe las dos palancas de liberación de manija. Vea el recuadro de la Figura 13.
- Compruebe que todos los herrajes estén bien ajustados.

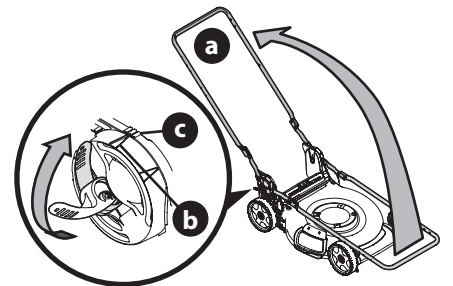


Figura 13

## Montaje de la manija de cuerda del arrancador de retroceso

**NOTA:** la guía de la cuerda está unida al costado derecho de la manija superior. Afloje la perilla que sujeta la guía de la cuerda (Figura 14).

**NOTA:** cortadoras de césped con almacenamiento vertical únicamente: La cuerda del arrancador de retroceso está equipada con una abrazadera de tope de cuerda para evitar que se jale dicha cuerda hacia el interior del motor. No extraiga la abrazadera de tope de la cuerda.

**NOTA:** algunas unidades incluyen un nudo corredizo en la cuerda de arranque de retroceso para reducir la holgura durante el transporte. Asegúrese de que el nudo corredizo esté suelto antes de realizar este procedimiento.

1. Sostenga el control de la cuchilla contra la manija superior.
2. Lentamente tire de la manija de la cuerda del arrancador de retroceso y deslice la cuerda de arranque en la guía de la cuerda.
3. Ajuste la perilla de guía de la cuerda.

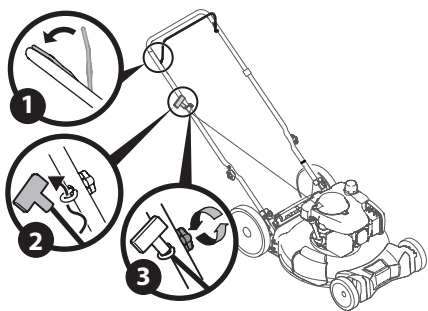


Figura 14

**NOTA:** en determinadas unidades, utilice las dos abrazaderas de cable suministradas para ajustar los cables de la transmisión y control de la cuchilla a la manija inferior (Figura 15).

**¡IMPORTANTE!** Para reducir el desgaste y permitir la operación adecuada, asegúrese de dejar un poco de holgura en la porción superior de los cables.

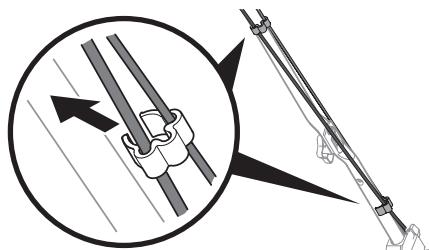


Figura 15

## Acople del colector de césped (si se incluye)

1. Para montar el colector de césped, proceda de la siguiente manera (Figura 16).

**NOTA:** antes de montar el colector de césped, asegúrese que la bolsa para recortes esté con el lado derecho hacia afuera, con la etiqueta de advertencia hacia afuera.

- a. Coloque la bolsa sobre el marco de modo que el lado de plástico negro quede en el fondo.
- b. Deslice los canales plásticos (a) de la bolsa para recortes sobre el bastidor (b).

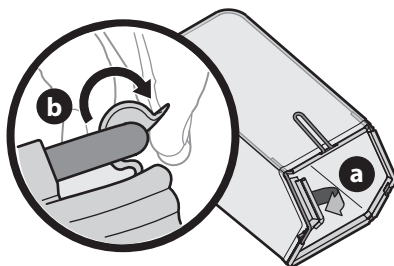


Figura 16

2. Para acoplar el colector de césped siga los pasos a continuación (Figura 17):

- a. Eleve la puerta de descarga trasera (a).
- b. Extraiga el adaptador para abono trasero (b) (si se incluye).
- c. Coloque el colector de césped dentro de las ranuras de los soportes de la manija (c). Baje la puerta de descarga de modo que quede apoyada sobre el colector de césped.

**NOTA:** para sacar el colector de césped, levante la puerta trasera de descarga de la cortadora de césped. Levante el colector de césped hacia afuera de las ranuras en los soportes de la manija. Vuelva a colocar el adaptador para abono trasero (si se incluye). Suelte la puerta de descarga trasera para permitir que la misma cierre la abertura trasera de la cortadora de césped.

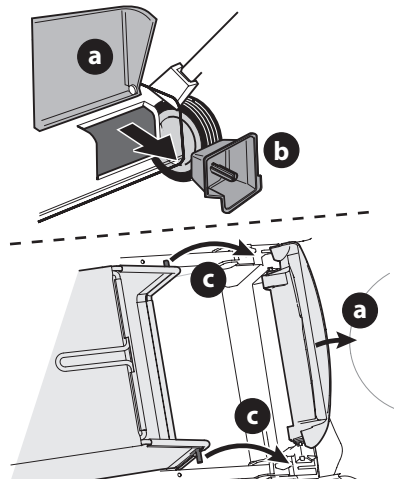


Figura 17

## Colocación del canal de descarga lateral o del soplador de descarga lateral (si se incluye)

La cortadora de césped se envía como abonadora. Si se hace la conversión a descarga lateral o a soplador de descarga lateral, asegúrese de que se haya extraído el colector de césped, que esté colocado el adaptador para abono trasero (si se incluye) y que la puerta de descarga trasera está cerrada.

1. Eleve el adaptador para abono (Figura 18).
2. Deslice los dos ganchos del canal de descarga lateral (a) o del soplador de descarga lateral (b) debajo del pasador de bisagra del adaptador para abono. Baje el adaptador para abono.

**¡IMPORTANTE!** No retire adaptador para abono lateral en cualquier momento.

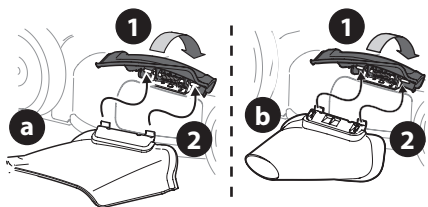


Figura 18

**NOTA:** algunos canales de descarga lateral incluyen un sujetador para asegurar el canal de descarga a la manija. Si se incluye, el canal de descarga lateral puede asegurarse a la manija cuando no está en uso (Figura 19).

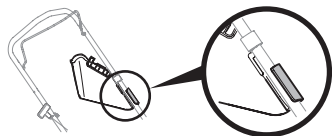


Figura 19

## Configuración del arranque eléctrico (si se incluye)

**NOTA:** las cortadoras de césped que están equipadas con arranque eléctrico usan una batería de plomo-ácido en una caja cerrada para baterías (consulte Caja de las baterías del arrancador eléctrico (si se incluye)) o un paquete de baterías de Ión-Litio (Consulte Instalación/Extracción del Paquete de Baterías (si se incluye)).

## CAJA DE LAS BATERÍAS DEL ARRANCADOR ELÉCTRICO (SI SE INCLUYE)

**NOTA:** extraiga el precinto para cables (a) de alrededor de la caja para baterías. Se usa un precinto para cables para envíos únicamente (Figura 20).

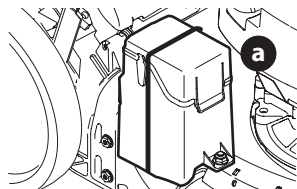


Figura 20

## INSTALACIÓN/EXTRACCIÓN DEL PAQUETE DE BATERÍAS (SI SE INCLUYE)

**NOTA:** para asegurar el máximo rendimiento y duración de los paquetes de baterías de ion-litio, cargue totalmente la batería antes del primer uso.

### ⚠ ADVERTENCIA

Lea todas las advertencias de seguridad, instrucciones y leyendas de precaución del paquete de baterías, del cargador y del producto. Si no se siguen las advertencias y las instrucciones se pueden producir descargas eléctricas, incendio y/o lesiones graves.

**¡IMPORTANTE!** Consulte el manual de instrucciones suministrado con el cargador de batería para obtener las instrucciones de recarga, mantenimiento y eliminación de las baterías.

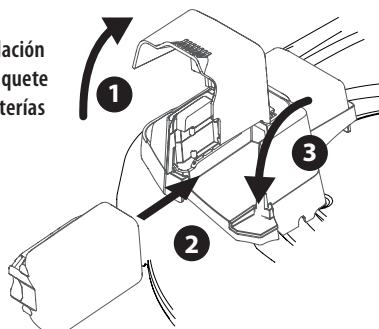
Instalación del paquete de baterías (Figura 21 a la página 35):

1. Levante la tapa de la caja de baterías.
2. Inserte el paquete de baterías en la caja de baterías. Cuando la batería quede correctamente conectada se escuchará un "clic" sonoro.
3. Cierre la tapa de la caja de la batería.

Extracción del paquete de baterías (Figura 21 a la página 35):

1. Levante la tapa de la caja de baterías.
2. Presione el botón de desenganche del paquete de baterías.
3. Tire del paquete de baterías para retirarlo de la caja de baterías.
4. Cierre la tapa de la caja de la batería.

Instalación del paquete de baterías



Extracción del paquete de baterías

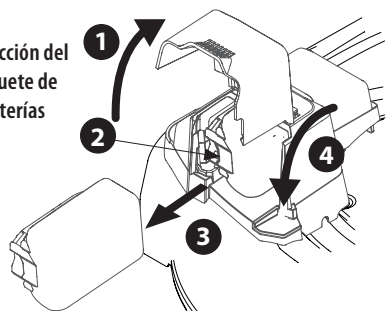


Figura 21

## AJUSTES

### Ajustes de la altura de corte

Esta cortadora de césped está equipada con uno de tres tipos de ajustes de altura de corte. Consulte Palanca única, Palanca doble o Rueda trasera/ Rueditas giratorias de esta sección.

#### PALANCA ÚNICA

El ajuste de altura de corte de la palanca única se ubica por encima de la rueda izquierda trasera (Figura 22).

1. Tire cuidadosamente de la palanca de ajuste de altura hacia afuera en dirección a la rueda (la cortadora de césped tenderá a caer cuando se mueve la palanca hacia afuera).
2. Mueva la palanca a la posición deseada para cambiar la altura de corte.
3. Libere la palanca hacia la plataforma.

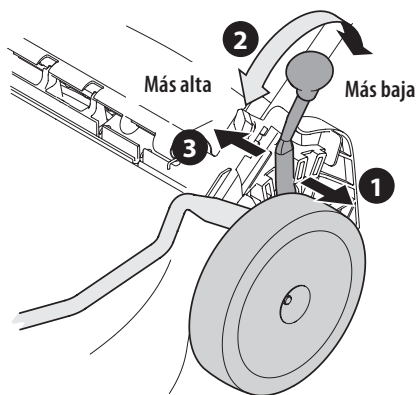


Figura 22

#### PALANCA DOBLE

**Cortadoras de césped de tracción delantera** - Las palancas de ajuste de altura de corte de palanca doble están ubicadas por encima de las ruedas derechas delantera y trasera.

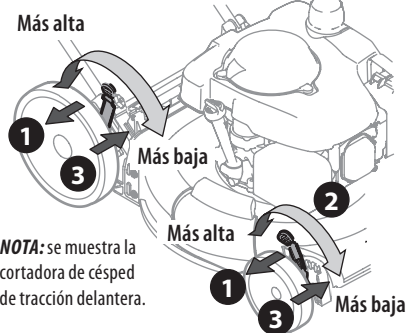
**Cortadoras de césped de tracción trasera** - Las palancas de ajuste de altura de corte de doble palanca están ubicadas por encima de las ruedas izquierdas delantera y trasera.

**NOTA:** la cortadora de césped de tracción delantera se muestra en la Figura 23.

**NOTA:** en determinadas cortadoras de césped - Las palancas de ajuste de altura delantera y trasera se mueven en dirección opuesta para ajustar la altura de corte.

1. Tire cuidadosamente de la palanca de ajuste de altura hacia afuera en dirección a la rueda (la cortadora de césped tenderá a caer cuando se mueve la palanca hacia afuera).
2. Mueva la palanca a la posición deseada para cambiar la altura de corte.
3. Libere la palanca hacia la plataforma.

**¡IMPORTANTE!** Todas las ruedas deben ser colocadas en la misma posición. Cuando el terreno es agreste o irregular, mueva cada palanca de ajuste de altura a una posición más alta. Esto evitará que corte el césped demasiado cerca del suelo.



**NOTA:** se muestra la cortadora de césped de tracción delantera.

Figura 23

## RUEDA TRASERA/ RUEDITAS GIRATORIAS

**NOTA:** la palanca de ajuste de altura de corte se ubica por encima de la rueda izquierda trasera (Recuadro A, Figura 24).

1. Tire de la palanca hacia afuera de la cortadora.
2. Mueva la palanca hacia adelante o hacia atrás para la altura de corte deseada.
3. Suelte la palanca hacia la plataforma de la cortadora de césped.

**NOTA:** la altura de corte de las rueditas giratorias se determina al seleccionar una de las seis posiciones en el montaje de cada ruedita giratoria (Figura 24).

4. Extraiga la tuerca de aletas (a) del perno del eje (b). Deslice el perno del eje del montaje y seleccione la altura de corte.
  5. Vuelva a insertar el perno del eje en el orificio cuadrado deseado a través del montaje de la rueda y sujete con la tuerca de aletas del PASO 4.
- ¡IMPORTANTE!** Todas las ruedas deben ser colocadas en la misma posición relativa. Cuando el terreno es agreste o irregular cambie la palanca de ajuste de altura a una posición más alta. De esta manera se cuida más el césped.
6. Las rueditas giratorias se pueden bloquear en una posición recta hacia adelante o para que giren libremente. (Recuadro B, Figura 24).
    - a. Levante los pasadores de fijación.
    - b. Colóquelos en los orificios más grandes para trabar las ruedas. Coloque los pasadores en los orificios más pequeños para permitir que las ruedas giratorias giren libremente.

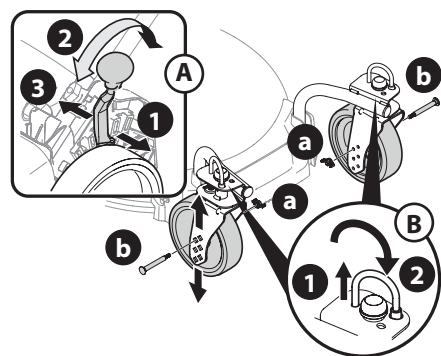


Figura 24

## Inclinación de la manija (si se incluye)

Para conveniencia de funcionamiento, usted puede ajustar la inclinación de la manija. Proceda de una de las siguientes maneras.

### MANIJAS DE EXTRACCIÓN Y PLEGADO

1. Extraiga las tuercas de aletas y los pernos de carro de la manija (Figura 25).
2. Coloque la manija en una de las tres posiciones que sea más cómoda. Consulte el recuadro de la Figura 25.

3. Sujete en la posición con las tuercas de aletas (a) y los pernos de carro que extrajo en el PASO 1.

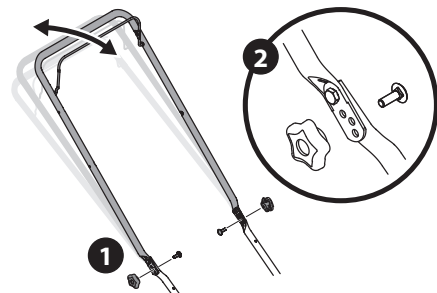


Figura 25

### PALANCAS DE ALMACENAMIENTO VERTICAL O EZ-FOLD

**NOTA:** para las manijas EZ-Fold consulte la Figura 26 o para las manijas de almacenamiento vertical consulte la Figura 27 a la página 37.

1. Destrabe las dos palancas de liberación de manija. Consulte el recuadro.
2. Mueva la manija superior (a) para alinear el indicador de posición (b) en la posición más cómoda de las tres posiciones de la manija (c).
3. Trabe las dos palancas de liberación de manija. Consulte el recuadro.

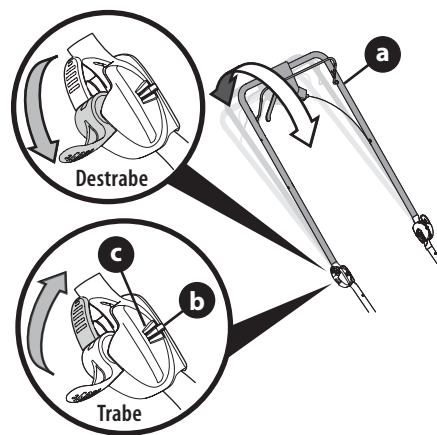


Figura 26

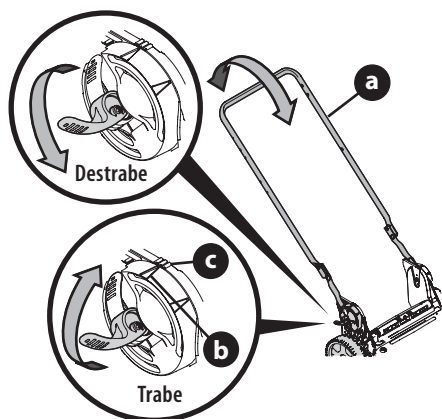


Figura 27

## Ajuste del control de la transmisión

### CONTROLES DE LA TRANSMISIÓN DE PALANCA ÚNICA Y DE PALANCA DOBLE (SI SE INCLUYEN)

Si se incluye, la rueda de ajuste está ubicada en el alojamiento de la manija de control de la transmisión que se utiliza para ajustar o aflojar la correa de transmisión. Deberá ajustar el control de transmisión si la cortadora no se autopropulsa con el control de transmisión enganchado o si las ruedas de la cortadora vacilan con el control de transmisión enganchado. Si ocurren algunas de estas condiciones, rote la rueda de ajuste en sentido de las agujas del reloj para ajustar el cable o en sentido contrario a las agujas del reloj para aflojar el cable. Consulte la Figura 28 para determinar la ubicación del Control de la transmisión con palanca única y la Figura 29 para el Control de la transmisión de palanca doble.

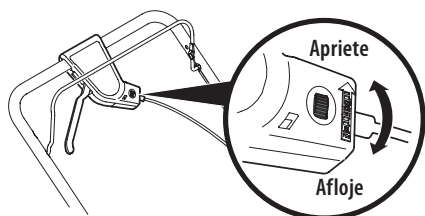


Figura 28

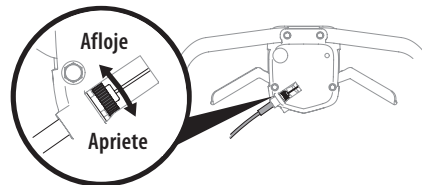


Figura 29

## TRANSMISIÓN PRÉMIUM (SI SE INCLUYE)

El sistema de transmisión consiste de poleas, una correa y un cable que vincula la transmisión a la manija de transmisión. Como estos componentes se gastan, es posible que sea necesario practicar ajustes. Para ajustar la varilla de la transmisión haga lo siguiente:

1. Rote hacia arriba el accesorio del cable de la transmisión en la manija superior izquierda (Figura 30).

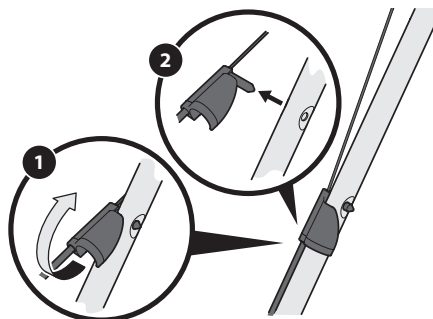


Figura 30

2. Tire del accesorio y sepárelo de la manija.
3. Desenganche el cable (a) y extraiga el casquillo de metal (b) de la manija de transmisión plástica (Figura 31).

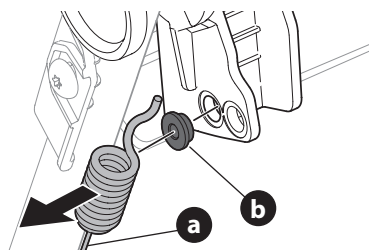


Figura 31

4. Reemplace el casquillo del orificio inferior y reconecte el cable a través del casquillo y el orificio inferior de la manija (Figura 32).

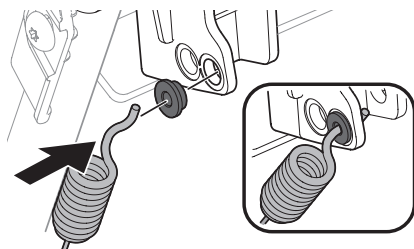


Figura 32

5. Vuelva a insertar el accesorio del cable de la transmisión en la manija superior y gírela hacia abajo.
6. Arranque la cortadora y compruebe el funcionamiento de la manija de transmisión.

# FUNCIONAMIENTO

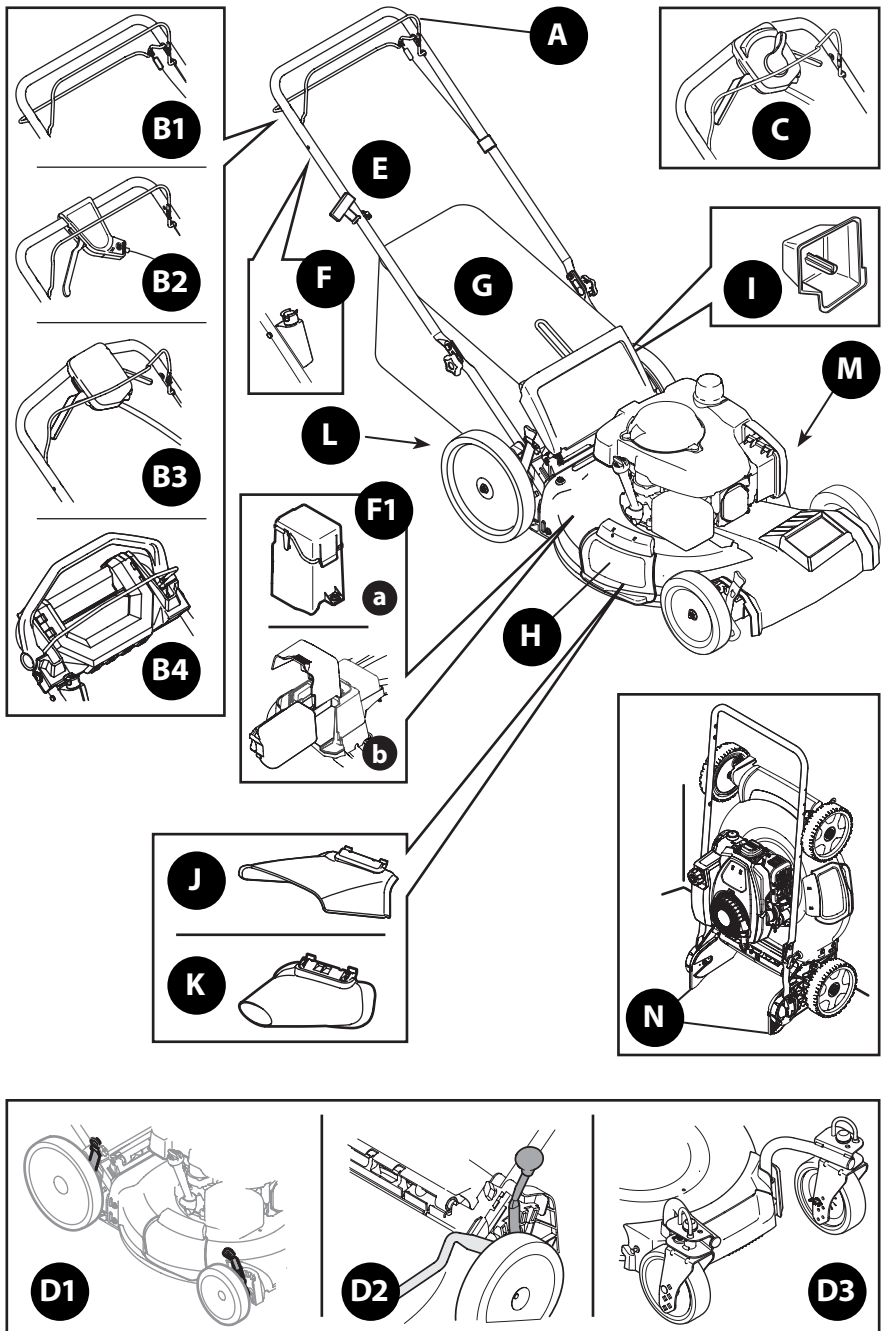


Figura 33

## CARACTERÍSTICAS

### A. CONTROL DE LA CUCHILLA

El control de la cuchilla está unido a la manija superior de la cortadora. Para hacer funcionar la cortadora de césped, presione el control de la cuchilla contra la manija superior. Para detener la cuchilla y el motor, suelte el control de la cuchilla.

#### ADVERTENCIA

El control de la cuchilla es un dispositivo de seguridad. Nunca intente anular su funcionamiento.

### B. CONTROL DE LA TRANSMISIÓN

Hay cuatro configuraciones de control de la transmisión.

- 1. Gancho de control de la transmisión (si está equipado)** - El gancho de control de la transmisión se encuentra ubicado por debajo de la manija superior y se utiliza para enganchar la transmisión. Apriételo contra la manija superior para enganchar la transmisión; libérela para detener la cortadora.
- 2. Control de transmisión de palanca única (si está equipado)** - El control de transmisión de palanca única se encuentra ubicado en la parte superior de la manija superior y se utiliza para activar la transmisión. Apriételo contra la manija superior para activar la transmisión, libérela para disminuir la velocidad o detener la cortadora.
- 3. Controles de transmisión de doble palanca (si están equipados)** - Los controles de transmisión de doble palanca se encuentran ubicados en la parte superior de la manija superior y se utilizan para activar la transmisión. Apriete los controles derecho, izquierdo, o ambos, derecho e izquierdo contra la manija superior para activar la transmisión; libérela/los para reducir la velocidad o detener la cortadora.
- 4. Control de transmisión premium (si está equipado)** - El control de transmisión premium se encuentra ubicado en la manija superior y se utiliza para activar la transmisión. Al empujar el control hacia adelante, la transmisión quedará activada. Cuanto más lejos se empuje el control hacia adelante, más rápido avanzará la cortadora. Cuando se libera la presión del control, éste volverá a la posición de punto muerto y la transmisión se desactivará.

### C. CONTROL DE VELOCIDAD (SI ESTÁ INCLUIDO)

El control de velocidad está ubicado en el alojamiento de control de velocidad variable sobre la manija superior. Este control se utiliza para seleccionar la velocidad de avance hacia adelante de la cortadora césped.

**¡IMPORTANTE!** Mueva el control de velocidad solo cuando el motor esté en marcha. Si cambia el ajuste del control de velocidad con el motor apagado, su cortadora puede resultar dañada.

### D. PALANCA DE AJUSTE DE LA ALTURA DE CORTE

Hay tres configuraciones de ajuste de la altura de corte.

- 1. Palanca doble** - Las palancas de ajuste de la altura de corte de la palanca doble están ubicadas por encima de las ruedas derechas delantera y trasera. Para ajustar la altura de corte, consulte Ajustes de la altura de corte en la página 35.
- 2. Palanca única** - La palanca de ajuste de altura de corte se ubica por encima de la rueda izquierda trasera. Para ajustar la altura de corte, consulte Ajustes de la altura de corte en la página 35.
- 3. Rueda trasera/ Rueditas giratorias traseras** - La palanca de ajuste de altura de corte de la rueda trasera se ubica por encima de la rueda izquierda trasera. Las rueditas se ajustan moviendo sus pernos a la posición deseada. Para ajustar la altura de corte, consulte Ajustes de la altura de corte en la página 35.

### E. ARRANCADOR DE RETROCESO

El arrancador de retroceso está adosado a la manija superior derecha. Para encender la cortadora de césped, párese detrás de la misma y tire de la cuerda del arrancador de retroceso.

### F. LLAVE-BOTÓN DEL ARRANCADOR ELÉCTRICO (SI SE INCLUYE)

La llave-botón del arrancador eléctrico se encuentra sobre el lado derecho de la manija superior. Es una llave-botón que se puede extraer y un botón pulsador, y se provee solo en los modelos de arranque eléctrico.

**NOTA:** retire la llave cuando la cortadora de césped no esté siendo supervisada o esté en almacenamiento para evitar el funcionamiento no autorizado. Mantenga la llave en un lugar seguro, fuera del alcance de los niños.

- Las cortadoras de césped que están equipadas con arrancadores eléctricos también están equipadas en una caja cerrada para baterías (a) o un paquete de baterías de que se pueda extraer (b) (Figura 33 en la página 38).

### G. COLECTOR DE CÉSPED (SI SE INCLUYE)

El colector de césped, que está ubicado en la parte trasera de la cortadora, se usa para embolsar los recortes del césped para desecharlos. Cuando se llena la bolsa, retirela a través de las manijas y vacíela antes de seguir cortando.

## H. ADAPTADOR PARA ABONO (SI SE INCLUYE)

El adaptador para abono está ubicado en el costado derecho de la cortadora y se usa para fines de abono (recirculando los recortes de regreso a la tierra).

## I. ADAPTADOR PARA ABONO TRASERO (SI SE INCLUYE)

En determinadas cortadoras de césped, el adaptador para abono (si se incluye) es un componente separado. Si se incluye, este adaptador para abono se debe instalar en la parte trasera de descarga para embolsado si se usa la cortadora de césped como abonadora (recirculando los recortes de regreso a la tierra) o descarga lateral.

## J. CANAL DE DESCARGA LATERAL (SI SE INCLUYE)

El canal de descarga lateral se usa para descargar recortes de césped al costado de la cortadora de césped en lugar juntarlos en el colector de césped o de usar la cortadora de césped como abonadora.

### ⚠ ADVERTENCIA

Mantenga sus manos y pies alejados del área del canal sobre la plataforma de corte. Consulte la etiqueta de advertencia que está en la unidad.

## K. SOPLADOR DE DESCARGA LATERAL (SI SE INCLUYE)

El soplador de descarga lateral se usa para soplar hojas, recortes de césped y residuos a un lado.

## L. ESCUDO POSTERIOR

El escudo posterior se adosa a la parte trasera de la cortadora para proteger al operador contra desechos expulsados. No utilice la cortadora de césped a menos que el escudo esté en buen estado e instalado.

## M. SISTEMA DE LAVADO DE PLATAFORMA (SI SE INCLUYE)

La plataforma de su cortadora puede estar equipada con un pico de lavado de plataforma de sujeción rápida como parte del sistema de lavado de plataforma. Utilice el sistema de lavado de plataforma para quitar los recortes de césped de la parte inferior de la plataforma.

## N. ALMACENAMIENTO VERTICAL (SI SE INCLUYE)

Esta característica permite plegar la manija hacia adelante e inclinar la cortadora de césped hacia atrás para almacenarla verticalmente.

### ⚠ ADVERTENCIA

Almacenar en posición vertical una cortadora que no cuenta con la función de almacenamiento vertical puede causar daños al motor o bien una fuga de combustible o aceite.

Únicamente las cortadoras que tienen la función de almacenamiento vertical incluyen un motor que puede almacenarse en posición vertical.

## LLENADO DE GASOLINA Y ACEITE

**¡IMPORTANTE!** Consulte en el Manual del operador del motor información adicional sobre el motor.

Esta cortadora de césped se envía sin gasolina (combustible) ni aceite en el motor. Antes de poner en marcha u operar su cortadora de césped, asegúrese de cargar el motor con gasolina y aceite como se indica.

1. Agregue el aceite provisto antes de arrancar la cortadora de césped la primera vez, como se indica en el Manual del operador del motor.
2. Llene el motor con gasolina como se indica en el Manual del operador del motor.

### ⚠ ADVERTENCIA

Tenga mucho cuidado al trabajar con gasolina. La gasolina es sumamente inflamable y sus vapores son explosivos. Nunca agregue combustible a la máquina en espacios cerrados ni mientras el motor está caliente o funcionando. Apague cigarrillos, cigarros, pipas y otras fuentes de combustión.

## VERIFICACIÓN DE LA CARGA DEL PAQUETE DE BATERÍAS (SI SE INCLUYE)

### ⚠ ADVERTENCIA

Lea todas las advertencias de seguridad, instrucciones y leyendas de precaución del paquete de baterías, del cargador y del producto. Si no se siguen las advertencias y las instrucciones se pueden producir descargas eléctricas, incendio y/o lesiones graves.

**¡IMPORTANTE!** Consulte el manual de instrucciones suministrado con el cargador de batería para obtener las instrucciones de recarga, mantenimiento y eliminación de las baterías.

1. Presione el botón del indicador de batería en la parte delantera del paquete de baterías para controlar el nivel de carga (Figura 34 a la página 41):
  - Batería cargada: Una de las tres luces del indicador de batería se ilumina para mostrar el nivel de carga.

- **Batería descargada:** Si no se muestra ninguna luz, cargue el paquete de baterías. Consulte el manual suministrado con el cargador de batería para ver las instrucciones de carga.

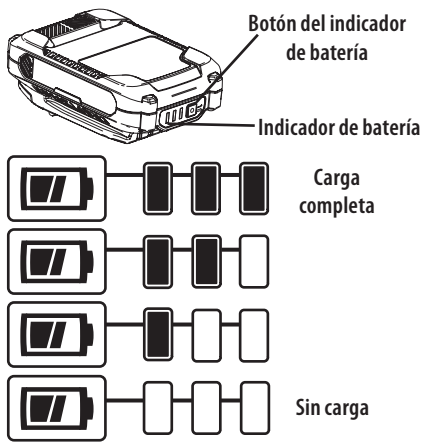


Figura 34

## PARA ENCENDER EL MOTOR

### ⚠ ADVERTENCIA

Asegúrese de que ninguna persona aparte del operador permanezca cerca de la cortadora de césped mientras arranca el motor u opera la misma. Nunca encienda el motor en interiores o en espacios cerrados o con poca ventilación. El escape del motor contiene monóxido de carbono, un gas inodoro y letal. Mantenga las manos, los pies, el cabello y la ropa suelta alejados de las partes móviles del motor y de la cortadora.

Consulte el Manual del Operador del Motor para obtener instrucciones sobre cómo arrancar y parar el motor.

## PARA DETENER EL MOTOR

Suelte el control de la cuchilla para detener el motor y la cuchilla.

**NOTA:** si su cortadora de césped viene equipada con una Llave-Botón de Encendido Eléctrico, saque la llave cuando deje sola la cortadora de césped sin supervisión para evitar que alguien la use sin autorización.

### ⚠ ADVERTENCIA

Espere a que la cuchilla se haya detenido por completo antes de hacer cualquier trabajo en la cortadora o de retirar el colector de césped.

Compruebe que el tiempo de detención de la cuchilla esté dentro de los 3 segundos. Si la cuchilla no se detiene al cabo de 3 segundos, comuníquese con su Centro de Atención.

## USO DE LA CORTADORA DE CÉSPED

### ⚠ ADVERTENCIA

Al hacer funcionar la cortadora de césped puede ser que se arrojen objetos extraños a los ojos, lo cual puede dañarlos gravemente. Utilice siempre anteojos de seguridad durante la operación de la cortadora o mientras la ajusta o repara.

Asegúrese de que el césped está libre de piedras, palos, cables u otros objetos que pudiesen dañar la cortadora o el motor. Dichos objetos pueden ser arrojados accidentalmente por la cuchilla en cualquier dirección y provocar lesiones personales graves al operador y asistentes.

### Gancho de control de la transmisión

1. Una vez que el motor esté funcionando, apriete el gancho de control de transmisión contra la manija superior para propulsar la cortadora.
2. Libere el gancho de control de transmisión para detener la cortadora.

### Control de la transmisión de palanca única

1. Una vez que el motor esté funcionando, apriete el control de la transmisión de palanca única contra la manija superior para propulsar la cortadora.
2. Libere el control de la transmisión de palanca única para disminuir la velocidad o detener la cortadora.

### Controles de transmisión de doble palanca

1. Una vez que el motor esté funcionando y mientras sigue oprimiendo el control de la cuchilla, apriete cualquiera de los controles de la transmisión (o ambos) contra la manija superior para propulsar la cortadora (Figura 35).

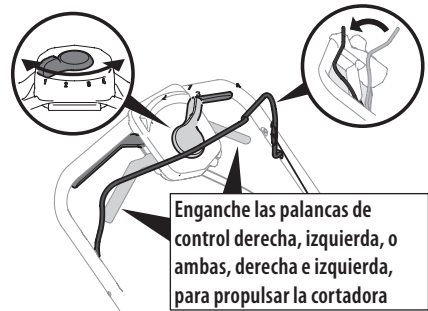


Figura 35

2. Libere los controles de la transmisión de palanca doble para disminuir la velocidad o detener la cortadora.
3. Control de velocidad (si se incluye) - Para cambiar la velocidad, mueva el control de velocidad a la velocidad deseada.

**NOTA:** al seleccionar una velocidad de transmisión, use la primera velocidad hasta que se sienta cómodo y se haya familiarizado con el funcionamiento de la cortadora de césped.

**¡IMPORTANTE!** Si está cambiando velocidades mientras la cortadora de césped permanece fija, puede ser difícil cambiar a la primera velocidad en ciertas condiciones. Esto se soluciona fácilmente enganchando brevemente la palanca de transmisión.

**NOTA:** su cortadora de césped está equipada con un sistema de transmisión interna de avanzada para facilitar el uso y realizar los cambios sin problemas. Al girar o tirar de la unidad hacia atrás, usted podrá notar una resistencia superior a la normal en las ruedas posteriores bajo ciertas condiciones. Esto es perfectamente normal y se puede resolver dejando que la unidad se mueva ligeramente hacia adelante sin que la(s) palanca(s) de transmisión estén enganchadas antes de tirar hacia atrás.

## Control de transmisión premium

1. Una vez que el motor esté funcionando y mientras mantiene juntos los controles de la transmisión y la cuchilla, empuje el control de la transmisión hacia adelante para propulsar la cortadora. Cuanto más lejos se empuje el control hacia adelante, más rápido avanzará la cortadora (Figura 36).

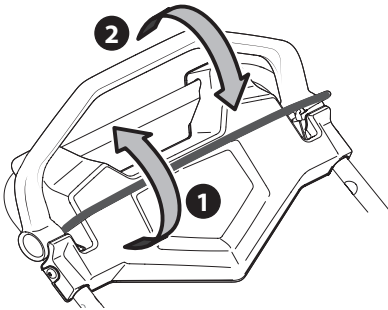


Figura 36

2. Cuando se libera la presión del control de la transmisión, éste volverá a la posición de punto muerto y la cortadora se detendrá.

**NOTA:** para facilitar el uso, mientras sujeta los controles, simplemente trabe su muñeca y sus codos y camine - la unidad se ajustará automáticamente a su velocidad.

## USO DE LA TAPA DE DESCARGA (SI SE INCLUYE)

Para usar la cortadora de césped sin abonar o recolección de césped, extraiga el colector de césped y asegure que se instale el adaptador de abono trasero (si se incluye). Deje que la puerta de descarga trasera cierre la abertura trasera de la cortadora de césped. Consulte Colocación del canal de descarga lateral o del soplador de descarga lateral (si se incluye) en la página 34.

## USO DE LA CORTADORA DE CÉSPED COMO ABONADORA (SI SE INCLUYE)

Para abonar el césped, quite el colector de césped o canal de descarga lateral de la máquina. Cuando quite el colector de césped de la cortadora, asegúrese de que el adaptador para abono trasero (si se incluye) esté instalado y permita que la puerta de descarga trasera cierre la abertura trasera de la cortadora de césped. Cuando se saca el canal de descarga lateral, se cierra el adaptador para abono. Para un abono eficiente, no corte césped húmedo. Si el césped ha crecido más de cuatro pulgadas, no se recomienda abonar. En ese caso, use el colector de césped para embolsar los recortes.

## USO DE LA CORTADORA DE CÉSPED CON EL COLECTOR DE CÉSPED (SI SE INCLUYE)

Puede utilizar el colector de césped para recoger recortes mientras opera la cortadora.

1. Sujete el colector de césped, consulte Acople del colector de césped (si se incluye) en la página 30. Los recortes de césped son recolectados en la bolsa de forma automática. Opere la cortadora hasta que la bolsa de recolección esté llena.
2. Detenga el motor soltando la manija de control de la cuchilla. Compruebe que el motor se haya detenido por completo.
3. Para retirar la bolsa, levante la puerta de descarga trasera y tire de la bolsa de recolección hacia arriba, apartándola de la cortadora. Deseche los recortes de césped y vuelva a colocar la bolsa cuando haya terminado.

## ⚠ ADVERTENCIA

Si golpea un objeto extraño, detenga el motor. Desconecte el cable de la bujía, inspeccione detenidamente la cortadora para ver si hay daños, y repare el daño antes de volver a encenderla y hacerla funcionar. El exceso de vibración de la cortadora durante el funcionamiento es una indicación de daño. Se debe inspeccionar y reparar la cortadora lo antes posible.

## CORTADORA DE ALMACENAMIENTO VERTICAL (SI SE INCLUYE)

### ⚠ ADVERTENCIA

Almacenar en posición vertical una cortadora que no cuenta con la función de almacenamiento vertical puede causar daños al motor o bien una fuga de combustible o aceite.

Únicamente las cortadoras que tienen la función de almacenamiento vertical incluyen un motor que puede almacenarse en posición vertical.

No almacene la cortadora en el exterior o en zonas húmedas. Almacene la cortadora en una zona limpia y seca.

### Almacenamiento de la cortadora de césped

### ⚠ ADVERTENCIA

Deje que el motor se enfríe antes de limpiar o almacenar la unidad.

**¡IMPORTANTE!** Antes de almacenar la cortadora de césped en posición vertical, verifique que el nivel de combustible esté en el nivel de llenado recomendado o por debajo del mismo.

Consulte el Manual del operador del motor.

1. Usando aire comprimido o un trapo seco, limpie el exterior de la cortadora y quite la suciedad que pueda estar acumulada alrededor del motor.
2. Si se incluye, quite la llave de encendido.
3. Destrabe las dos palancas de liberación de manija. Vea el recuadro de la Figura 37.
4. Pliegue la manija hacia adelante hasta la posición de almacenamiento (Figura 37). No presione los cables del control de la transmisión o de la cuchilla (si se incluyen) mientras baja la manija.
5. Trabe las dos palancas de liberación de la manija (recuadro, Figura 37).

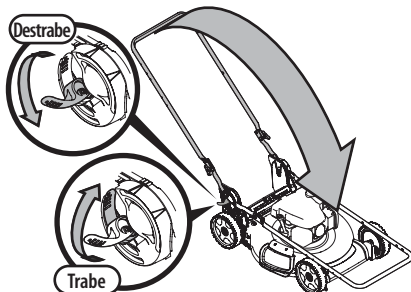


Figura 37

6. Levantando de la manija (a), incline la cortadora hacia arriba sobre las ruedas traseras y hacia atrás del soporte de la manija (b) (Figura 38).
7. Posicione la cortadora de modo que la cuchilla quede mirando hacia la pared.

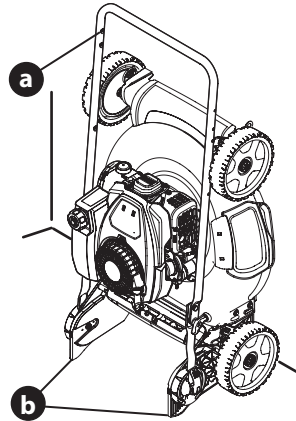


Figura 38

### Para sacar la cortadora del almacenamiento

### ⚠ ADVERTENCIA

Al usar la cortadora de césped o desplegar la manija, no ponga las manos o los pies cerca o debajo de la plataforma de corte. De lo contrario, podrían producirse lesiones graves.

Para evitar el arranque accidental del motor de la cortadora de césped cuando se despliega la manija, no sujete el control de la cuchilla contra la manija superior. De lo contrario, podrían producirse lesiones graves.

1. Sosteniendo la cortadora de césped por su manija superior, apoye con suavidad la cortadora en el suelo sobre sus cuatro ruedas.
2. Para desplegar la manija, destrabe las dos palancas de liberación de la manija (recuadro, Figura 37) y realice los PASOS 5-8 de Configuración, Manija de Almacenamiento Vertical en la página 32.

## ⚠ ADVERTENCIA

Antes de realizar cualquier tipo de mantenimiento o servicio, desactive todos los controles y detenga el motor. Espere a que se detengan completamente todas las piezas móviles. Deje que el motor se enfríe. Desconecte el cable de la bujía de encendido y póngalo haciendo masa contra el motor para evitar que se encienda accidentalmente.

## RECOMENDACIONES GENERALES

- Respete siempre las reglas de seguridad que figuran sobre la cortadora y en los manuales cuando realice cualquier tarea de mantenimiento.
- La garantía de esta cortadora no cubre elementos que hayan sido objeto de abuso o negligencia. Para recibir el reembolso total de la garantía, el operador deberá mantener la cortadora como se indica en este manual.
- El cambio de la velocidad controlada por el motor invalidará la garantía del motor.
- Antes de cada uso y antes de almacenarla para la temporada en que no se usa, verifique que todos los herrajes estén instalados y ajustados.

## LUBRICACIÓN

### Control de la cuchilla

Lubrique con aceite ligero los puntos de pivote del control de la cuchilla al menos una vez por temporada y antes de almacenarla. Este control debe funcionar libremente en ambas direcciones (Figura 39).

### Ruedas

Lubrique con aceite ligero todos los cubos/ejes de ruedas una vez por temporada y antes de almacenar la cortadora (Figura 39).

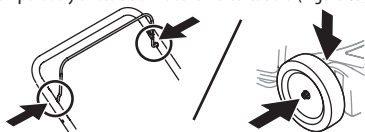


Figura 39

## MANTENIMIENTO DEL MOTOR

Anualmente, revise el par de ajuste de los pernos de montaje del motor: Min. 29.2 pies-libras (39.6 N-m), Máx. 41.7 pies-libras (56.3 N-m).

Consulte el Manual del Operador del Motor que viene con su cortadora para obtener una descripción detallada de todas las especificaciones de servicio relacionadas con el motor y el almacenamiento.

Si el motor no arranca, funciona errático, sobrecalienta, saltea (titubea) o no ralentiza bien, consulte el Manual del Operador del Motor.

**¡IMPORTANTE!** Controle el nivel de aceite del motor antes de cada uso. Consulte el Manual del Operador del Motor.

### Limpie el motor

- Antes de cada uso, limpie el césped, la grasa o los residuos acumulados del motor. Mantenga limpios el varillaje, los resortes y los controles. Mantenga el área que rodea al silenciador y que está detrás del mismo libre de cualquier residuo combustible.

- El mantenimiento del motor en condiciones limpias permite el movimiento de aire alrededor del mismo.
- Las piezas del motor se deben mantener limpias para reducir el riesgo de sobrecalentamiento e ignición de los residuos acumulados.

## ⚠ PRECAUCIÓN

No use agua para limpiar las piezas del motor. El agua puede contaminar el sistema de combustible. Use un cepillo o paño seco.

## MANTENIMIENTO DE LA CORTADORA

### Sistema de lavado de plataforma (si se incluye)

La plataforma de su cortadora podría venir con un sistema de lavado de plataforma. Utilice el sistema de lavado de plataforma para lavar la parte inferior de la plataforma y quitar los restos de césped recortado e impedir la acumulación de sustancias corrosivas. Realice los siguientes pasos DESPUÉS DE CADA CORTE DE CÉSPED:

1. Empuje la cortadora hasta un lugar nivelado y despejado de su jardín o patio. Asegúrese de que la manguera del jardín pueda llegar a la cortadora.

## ⚠ PRECAUCIÓN

Asegúrese de que el canal de descarga de la cortadora esté orientado EN DIRECCIÓN CONTRARIA a la casa, el garaje, los vehículos estacionados, etc.

2. Retire de la plataforma de la cortadora el pico de lavado de la plataforma de sujeción rápida y enrósquelo en el extremo de la manguera del jardín.
3. Conecte la manguera de jardín con el pico de lavado de plataforma al puerto de agua que está sobre la superficie de su plataforma (Figura 40 a la página 45).
4. Abra el suministro de agua.
5. Encienda el motor, tal como se indicó anteriormente en el Manual del operador del motor.
6. Haga funcionar el motor durante dos minutos por lo menos para permitir que se enjuague totalmente la parte inferior de la plataforma de corte.
7. Suelte el control de la cuchilla para detener el motor y la cuchilla.
8. Desconecte el agua y retire el pico de lavado de la plataforma del puerto de agua que se encuentra en la superficie de la plataforma.
9. Luego de limpiar la plataforma, vuelva a arrancar la cortadora. Mantenga el motor y la cuchilla en funcionamiento durante dos minutos por lo menos para permitir que se seque totalmente la parte inferior de la plataforma de corte.

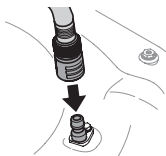


Figura 40

## Limpieza de la plataforma

Al menos una vez por temporada y antes del almacenamiento, limpie la parte inferior de la plataforma de la cortadora de césped para prevenir la acumulación de recortes de césped u otros desechos.

- Deje el motor en marcha hasta que se acabe el combustible. No intente verter combustible del motor. Desconecte el cable de la bujía. Consulte el Manual del Operador del Motor.
- Gire la cortadora de césped sobre el costado y compruebe que el filtro de aire y el carburador queden mirando hacia arriba. Sostenga firmemente la cortadora.
- Raspe y limpie la parte inferior de la plataforma mediante el uso de una herramienta adecuada. No la rocíe con agua.

**¡IMPORTANTE!** No utilice una lavadora a presión o manguera de jardín para limpiar su cortadora. Pueden producir daños a los rodamientos o al motor. El uso de agua acortará la vida útil de la máquina y reducirá su capacidad de servicio.

- Vuelva a colocar la cortadora sobre sus ruedas en el suelo.

## CUIDADO DE LAS CUCHILLAS

### ⚠ ADVERTENCIA

Espera a que la cuchilla se haya detenido por completo antes de hacer cualquier trabajo en la cortadora o de retirar el colector de césped.

Compruebe que el tiempo de detención de la cuchilla esté dentro de los 3 segundos. Si la cuchilla no se detiene al cabo de 3 segundos, comuníquese con su Centro de Atención.

### ⚠ ADVERTENCIA

Cuando saque la cuchilla de corte para afilarla o reemplazarla, protéjase las manos usando un par de guantes gruesos o un trapo grueso para sostener la cuchilla.

Anualmente, revise el par de ajuste de los pernos de montaje de la cuchilla de la cortadora: Mín. 37.5 pies-libras (50.8 N-m), Máx. 50.0 pies-libras (67.8 N-m).

Inspeccione periódicamente la cuchilla y el adaptador de la cuchilla en busca de pandeos o rajaduras, especialmente cuando golpee un objeto extraño o tiene una vibración excesiva. Reemplace según necesidad. Para realizar el mantenimiento de la cuchilla, siga los siguientes pasos:

- Deje el motor en marcha hasta que se acabe el combustible. No intente verter combustible del motor.
- Desconecte el cable de la bujía. Consulte el Manual del Operador del Motor.

- Gire la cortadora de césped sobre el costado y compruebe que el silenciador quede orientado hacia abajo y el filtro de aire y el carburador queden mirando hacia arriba.
- Retire el perno (a) y el soporte de campana de la cuchilla (b) que sostiene la cuchilla y el adaptador de la cuchilla al cigüeñal del motor (Figura 41).
- Retire la cuchilla (c) y el adaptador de la cuchilla (d) del cigüeñal (Figura 41).
- Saque la cuchilla del adaptador para comprobar el centrado.
  - Centre la cuchilla sobre un destornillador de eje redondo para inspeccionarla.
  - Saque metal del lado pesado hasta que quede bien centrada.

**NOTA:** cuando afile la cuchilla, siga el ángulo original de afilado como guía. Afile cada borde de corte por igual para mantener centrada la cuchilla.

### ⚠ ADVERTENCIA

Si la cuchilla está descentrada causará demasiada vibración al rotar a altas velocidades. Puede producir daños al motor y la cuchilla se puede romper causando así lesiones personales.

- Lubrique el cigüeñal del motor y la superficie interna del adaptador de la cuchilla con aceite ligero (recuadro de la Figura 41).
  - Deslice el adaptador de la cuchilla (d) sobre el cigüeñal del motor.
  - Instale la cuchilla en el adaptador con el lado marcado "Grass Side" (lado del césped) (o con el número de parte) hacia el suelo cuando la cortadora de césped está en posición de funcionamiento.
  - Asegúrese que la cuchilla quede alineada y asentada en las bridas del adaptador.
- Coloque el soporte de campana (b) sobre la cuchilla (c). Alinee las muescas del soporte de campana de la cuchilla con los orificios pequeños de la cuchilla.
- Vuelva a colocar el perno hexagonal (a) y ajústelo según los siguientes valores de ajuste: Mín. 37.5 pies-libras (50.8 N-m), Máx. 50.0 pies-libras (67.8 N-m).

**NOTA:** para garantizar la operación segura de la cortadora de césped, revise periódicamente el perno de la cuchilla para determinar si está bien ajustado.

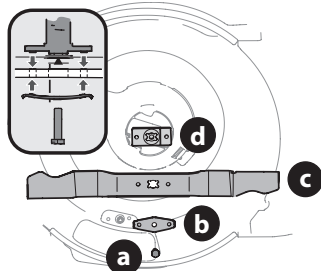


Figura 41

## CUIDADO DE LA CORREA

Si la correa está dañada o desgastada puede evitar que la cortadora se impulse automáticamente. Revise periódicamente el sistema de polea y correa para detectar daños o desgaste. De ser necesario, comuníquese con un Centro de Servicio autorizado para que reemplacen la correa.

**NOTA:** para cambiar la correa de transmisión de la cortadora de césped, es necesario extraer varios componentes. Solicite a un Centro de Servicio autorizado que realice el reemplazo de la correa.

## REEMPLAZO DE LA BATERÍA (SI SE INCLUYE)

### ⚠ ADVERTENCIA

Las baterías contienen ácido sulfúrico que puede causar quemaduras. No ponga en corto circuito ni dañe las baterías de ninguna manera. No coloque las baterías sobre fuego dado que pueden explotar o emitir materiales tóxicos.

- Extracción de la batería (Figura 42):
  - Abra la tapa del puerto de carga (a) y saque la tapa de la caja para baterías (b).
  - Desconecte los cables positivo y negativo de la batería (c).
  - Levante la batería y sáquela de la caja para baterías.

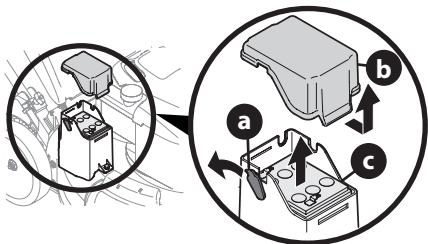


Figura 42

- Instalación de la batería (Figura 43):
  - Inserte la batería (c) en la caja para baterías.
  - Conecte el cable positivo (rojo) con el terminal positivo (+) (d).
  - Conecte el cable negativo (negro) con el terminal negativo (-) (e).

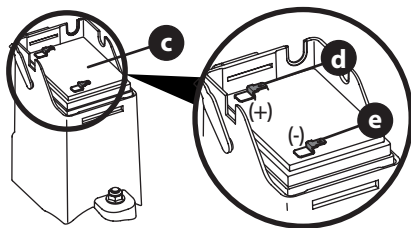


Figura 43

- Coloque la tapa de la caja para baterías y cierre la tapa del puerto de carga.

## CARGA DE LA BATERÍA (SI SE INCLUYE)

### ⚠ ADVERTENCIA

La batería contiene fluido corrosivo y material tóxico; manipule la misma con cuidado y manténgala alejada de los niños. No perforo, desarme, dañe o prenda fuego a la batería. Durante la carga o descarga se podrían emitir gases explosivos. Utilícela en un área bien ventilada, lejos de fuentes de combustión.

cargue la batería al momento de la configuración inicial, al final de la temporada, después de períodos prolongados sin uso y según sea necesario.

Es posible que haya que cargar la batería con mayor frecuencia si se arranca y para la cortadora con frecuencia durante cada corte a lo largo de la temporada, como al embolsar.

**NOTA:** el enchufe de diseño especial del cable del cargador solo encaja en el puerto de carga de la caja para baterías.

**NOTA:** la batería debe almacenarse con carga completa. El almacenamiento prolongado de una batería descargada reducirá la vida útil y la capacidad de la batería. Para la vida óptima de la batería, cárguela una vez por mes mientras esté almacenada.

**¡¡IMPORTANTE!** No extraiga la batería de la caja para baterías por ningún motivo que no sea para su reemplazo.

- Abra la tapa del puerto de carga (a) y enchufe el cable del cargador (b) en el puerto de carga (c) (Figura 44).
- Enchufe el cargador de la batería (d) en un tomacorriente residencial estándar de 120 V (Figura 44).

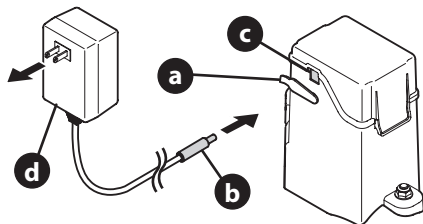


Figura 44

- Cargue la batería de 8 a 10 horas antes del uso inicial. No cargue por más de 12 horas.

**¡¡IMPORTANTE!** Siempre enchufe el cable del cargador en el puerto de carga en primer lugar, y luego enchufe el cargador de la batería en un tomacorriente residencial estándar de 120 voltios. Siga los pasos en este orden siempre que cargue la batería.

- Después de la carga, desconecte el cargador del tomacorriente primero, luego desconecte el cable del cargador del puerto de carga.
- Cierre la tapa del puerto de carga.

## CARGA DEL PAQUETE DE BATERÍAS (SI SE INCLUYE)

**¡IMPORTANTE!** Consulte el manual de instrucciones suministrado con el cargador de batería para obtener las instrucciones de carga, mantenimiento y eliminación de las baterías (Figura 45).

### ⚠ ADVERTENCIA

La batería contiene fluido corrosivo y material tóxico; manipule la misma con cuidado y manténgala alejada de los niños. No perforo, desensamble, rompa o prenda fuego a la batería. Durante la carga o descarga se podrían emitir gases explosivos. Utilícela en un área bien ventilada, lejos de fuentes de combustión.

### ⚠ ADVERTENCIA

Lea todas las advertencias de seguridad, instrucciones y leyendas de precaución del paquete de baterías, del cargador y del producto. Si no se siguen las advertencias y las instrucciones se pueden producir descargas eléctricas, incendio y/o lesiones graves.

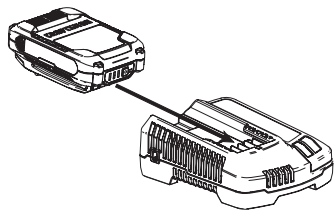


Figura 45

## ELIMINACIÓN DE LA BATERÍA

**¡IMPORTANTE!** Este procedimiento se refiere a las cortadoras de césped que cuentan con una batería en una caja para baterías cerrada. Para las cortadoras de césped que cuentan con un paquete de baterías desmontable, consulte el manual de instrucciones que se proporciona con el cargador de las baterías para obtener las instrucciones de eliminación.

### Eliminación de baterías dañadas o agotadas

### ⚠ ADVERTENCIA

Esta batería contiene el siguiente material tóxico y corrosivo: **ÁCIDO SULFÚRICO**, un material tóxico.

### ⚠ ADVERTENCIA

Para evitar la contaminación ambiental, póngase en contacto con su agencia local de eliminación de residuos para solicitar instrucciones antes de eliminar baterías de ion de litio dañadas o agotadas. Lleve las baterías a un centro local de reciclaje y/o eliminación que cuente con certificación para la eliminación de baterías de ion de litio.

### ⚠ ADVERTENCIA

No use baterías rotas o con grietas, aun cuando no tengan pérdidas. Cambie las baterías dañadas o agotadas por baterías nuevas. **¡NO INTENTE REPARAR LAS BATERÍAS!** Los intentos de reparación pueden producir lesiones personales graves debido a explosión o descarga eléctrica.

Para evitar lesiones personales y daños ambientales:

- No intente retirar ni destruir ningún componente de la batería. No abra ni rompa la batería. Si se produce una pérdida, los electrolitos emitidos son corrosivos y tóxicos. No deje que la solución entre en contacto con sus ojos o su piel y no trague solución.
- No arroje la batería junto con la basura domiciliar normal.
- No arroje la batería al fuego. La celda puede explotar.
- No elimine la batería en un lugar donde pase a ser parte de algún relleno sanitario o de los desechos sólidos municipales.
- Cubra los terminales de la batería con cinta adhesiva reforzada.
- Deseche la batería de acuerdo con las regulaciones locales, estatales y federales.
- Elimine la batería sin demora.

### Baterías etiquetadas con el sello de baterías Call2Recycle

#### Acerca de los sellos de baterías

**Call2Recycle** - El programa de auxiliares de la industria Call2Recycle ayuda a los fabricantes de baterías y productos a cumplir los requisitos de reciclaje en los Estados Unidos y Canadá, incluido el cumplimiento de amplias regulaciones estatales, provinciales y federales, por ejemplo, la Ley de Baterías Recargables y con Contenido de Mercurio (la Ley de las Baterías). Los licenciarios/auxiliares de la industria y los fabricantes y comerciantes de productos y baterías que participan en el programa Call2Recycle® adquieren los derechos de imprimir los sellos de batería Call2Recycle en sus baterías y productos recargables. Cuando usted vea el sello de batería Call2Recycle, puede estar seguro de que su batería o su producto se pueden reciclar en forma segura y responsable.



**Acerca de Call2Recycle** - Desde 1994 Call2Recycle ha desviado más de 75 millones de libras de baterías recargables de los rellenos sanitarios locales y ha establecido una red de 30,000 lugares donde dejar unidades para reciclaje. Más de 200 fabricantes de productos y/o baterías, auxiliares de la industria Call2Recycle, se han reunido para asegurarse de que se realice el reciclaje responsable de las baterías cuando llegan al fin de su vida útil y solventan el programa que funciona a través de Call2Recycle, Inc., una organización de servicios públicos sin fines de lucro 501(c)4.

Para ubicar el centro de reciclaje más cercano, por favor, comuníquese al **1-800-822-8837**.

# MANUEL DE L'UTILISATEUR

## Tondeuse autopropulsée

Anglais (English).....	Page 1
Espagnol (Spanish).....	Page 24
Français.....	Page 48

### Identification du produit

Avant de préparer et d'utiliser votre nouvel appareil, veuillez à copier ci-contre les numéros de modèle et de série qui se trouvent à l'arrière du plateau. Ces renseignements sont nécessaires lorsque vous cherchez de l'aide technique, soit sur notre site Web, soit auprès de notre service à la clientèle ou du concessionnaire agréé de votre région.

### Numéro de modèle

### Numéro de série

### AVERTISSEMENT

Lisez attentivement les consignes de sécurité et les instructions de montage et de fonctionnement avant d'utiliser cet appareil afin d'écartier tout risque d'accident et de blessure. CONSERVEZ CES INSTRUCTIONS.

**NOTE :** Ce manuel est commun à plusieurs modèles dont les caractéristiques peuvent différer du vôtre, de même que le modèle illustré.

# CONSIGNES DE SÉCURITÉ IMPORTANTES

## ⚠ AVERTISSEMENT



Les consignes importantes sont précédées de ce symbole. Si vous ne les respectez pas, vous risquez de vous blesser grièvement ou de causer des dommages matériels. Veuillez lire et respecter toutes les instructions du présent manuel avant d'utiliser cet appareil afin d'écartier tout risque d'accident et de blessure.

Lorsque vous voyez ce symbole, **RESPECTEZ L'AVERTISSEMENT !**

## ⚠ DANGER

Cet appareil doit être utilisé conformément aux consignes de ce manuel. Comme pour tout type d'équipement motorisé, la négligence ou une erreur de la part de l'utilisateur peut provoquer des blessures nécessitant une amputation des doigts, des mains ou des pieds ou encore projeter des objets. Il est donc impératif de respecter scrupuleusement les consignes de sécurité énoncées.

## INFORMATIONS GÉNÉRALES

1. Veuillez lire attentivement toutes les instructions indiquées sur l'appareil et dans les manuels avant d'utiliser ce dernier. Conservez ce manuel pour pouvoir le relire ou commander des pièces de rechange.
2. Familiarisez-vous avec les commandes et le fonctionnement de votre appareil avant de vous en servir.
3. L'âge minimum pour pouvoir utiliser cette tondeuse est de 14 ans. Si vous souhaitez permettre à des enfants de plus de 14 ans de tondre la pelouse, lisez d'abord les consignes de sécurité et d'utilisation avec eux, montrez-leur comment faire et exigez qu'un adulte soit présent en tout temps.
4. Ne confiez votre tondeuse qu'à des adultes responsables, qui savent s'en servir.
5. Rangez la tondeuse dans un endroit propre et sec. Ne l'entreposez pas près des matières corrosives comme les engrais.
6. Soyez prudent et faites preuve de bon sens en tout temps : ce manuel ne peut couvrir toutes les situations susceptibles de survenir lorsque vous utilisez votre tondeuse. Si vous avez besoin d'aide, communiquez avec notre service à la clientèle.
7. La durée de vie moyenne de votre tondeuse est de sept (7) ans d'après la Commission américaine pour la sécurité des produits de consommation de consommation des États-Unis (U.S. Consumer Products Safety Commission) et l'Agence américaine de protection de l'environnement (U.S. Environmental Protection Agency). À ce terme, faites impérativement vérifier les mécanismes et dispositifs de sécurité tous les ans par un centre de service agréé. Vous risquez un accident grave voire mortel si vous ne le faites pas.

## AVANT D'UTILISER LE TRACTEUR

1. Examinez soigneusement la pelouse avant de tondre. Ramassez les pierres, brindilles, fils, os, jouets et autres objets qui pourraient être projetés ou sur lesquels vous pourriez trébucher. Les objets projetés peuvent causer de graves blessures.
2. Pour éviter tout contact avec les lames et toute blessure causée par une projection, demeurez toujours derrière l'appareil en marche et ne permettez à personne de

s'approcher à moins de 23 mètres (75 pieds). Personne ne doit s'approcher de la zone de travail. Coupez le moteur dès que quelqu'un s'approche.

3. Ne dirigez jamais le côté où sont éjectés les débris d'herbe vers d'autres personnes.
4. Portez toujours des lunettes de sécurité pour tondre ou pour effectuer un réglage ou une réparation. Vos yeux sont particulièrement vulnérables aux projections.
5. Portez des chaussures robustes à semelles épaisses et des vêtements bien ajustés et évitez les bijoux. Portez de préférence des chaussures à embout d'acier ainsi que des vêtements longs.
6. Ne tondez jamais pieds nus ou en sandales.
7. Ne remplissez pas le réservoir à ras bord : l'essence se dilate en chauffant, alors laissez un espace d'environ un pouce (2,5 cm) sous le col de remplissage.
8. Veillez à remettre correctement le bouchon du réservoir lorsque vous avez terminé.
9. N'utilisez que des pièces d'origine et accessoires homologués. Si vous ajoutez un accessoire, lisez bien son manuel d'utilisation.

## UTILISATION

1. Statistiquement, les utilisateurs de tondeuses de 65 ans ou plus sont plus susceptibles d'avoir un accident avec leur tondeuse. Par conséquent, nous vous recommandons de bien évaluer votre aptitude à utiliser cet appareil sans vous mettre en danger ni risquer de blesser d'autres personnes.
2. Beaucoup de blessures surviennent lorsque l'utilisateur, en glissant ou en trébuchant, renverse la tondeuse qui lui passe sur le pied. Ne vous retenez pas à la tondeuse si vous tombez; relâchez immédiatement la poignée.
3. Ne tirez jamais la tondeuse vers vous lorsque vous tondez la pelouse. Si vous devez faire reculer la tondeuse, regardez vers le sol et derrière vous. Suivez les étapes ci-dessous :
  - a. Éloignez-vous de la tondeuse jusqu'à ce que vous puissiez complètement tendre les bras.
  - b. Assurez-vous d'être en équilibre et d'avoir une bonne prise au sol.

# CONSIGNES DE SÉCURITÉ IMPORTANTES

- c. Faites reculer la tondeuse lentement en prenant soin de garder une distance d'une demi-longueur de bras entre l'appareil et vous.
- d. Répétez ces étapes au besoin.
4. N'embrayez pas la commande d'entraînement (si votre modèle en possède une) lorsque vous démarrez le moteur.
5. La commande de la lame est un dispositif de sécurité. Ne modifiez pas ce dispositif, car cela peut compromettre le fonctionnement de l'appareil et entraîner de graves blessures. Cette commande doit se déplacer facilement dans les deux directions et revenir automatiquement à la position désengagée une fois relâchée. La lame de coupe continue à tourner pendant quelques secondes après que la commande de la lame ait été relâchée. Assurez-vous que la lame est complètement arrêtée avant d'effectuer un réglage ou une réparation.
6. Si l'appareil commence à vibrer de façon anormale, arrêtez immédiatement le moteur et recherchez la cause. Les vibrations sont généralement signe de problèmes.
7. N'utilisez jamais la tondeuse si le couvercle d'éjection, le sac à herbe, la commande de la lame et tout autre dispositif de sécurité ne sont pas installés. N'utilisez jamais la tondeuse si les dispositifs de sécurité sont endommagés afin d'écartier tout risque d'accident et de blessure.
8. Pour démarrer le moteur, tirez lentement la poignée du lanceur à rappel jusqu'à ce que vous sentiez une légère résistance, puis tirez rapidement la poignée. La rétraction rapide de la corde de démarrage risque de tirer votre main et votre bras vers le moteur plus vite qu'il n'est possible de relâcher la poignée. Ceci peut causer de graves blessures (fracture d'os, contusion, entorse, etc.).
9. N'approchez pas les pieds ou les mains ni des lames, ni du dessous du plateau de coupe : vous pourriez vous blesser grièvement, au point de devoir subir une amputation.
10. Faites attention aux trous, ornières, bosses, roches et autres objets. Faites aussi attention aux terrains accidentés ou aux objets non visibles, vous pouvez glisser ou tomber. L'herbe haute peut cacher des obstacles.
11. Cet appareil est conçu pour une utilisation non-professionnelle. Il peut tondre un gazon de 17,5 cm (7 pouces) de haut au maximum. Il n'est pas fait pour tondre les hautes herbes (par ex. dans un pré) ou pour déchiqueter des tas de feuilles mortes.
12. Calculez votre trajectoire de façon à éviter de projeter les brins coupés vers la rue, le trottoir, les passants, etc. Attention, les débris peuvent rebondir sur les murs ou autres obstacles et vous atteindre.
13. Arrêtez le moteur et attendez que la lame soit immobilisée avant de retirer le sac à herbe ou de déboucher la goulotte. La lame de coupe continue à tourner pendant quelques secondes après que la commande de la lame ait été relâchée. Assurez-vous que la lame est complètement arrêtée avant d'effectuer un réglage ou une réparation.
14. Il est dangereux d'utiliser cet appareil sans son déflecteur d'éjection ou son bouchon de déchetage, ou avec un déflecteur ou un bouchon de déchetage endommagé.
15. N'utilisez jamais la tondeuse si le couvercle d'éjection, le sac à herbe ou le bouchon de déchetage ne sont pas bien installés.
16. Débrayez les lames dès que vous cessez de tondre et avant de vous engager sur le trottoir, sur la route ou sur du gravier.
17. Tondez en plein jour ou avec un éclairage artificiel adéquat.
18. N'utilisez pas cette tondeuse lorsque vous êtes sous l'empire de la boisson ou d'un médicament.
19. Ne touchez pas le silencieux et le moteur, car ils deviennent chauds et pourraient vous brûler. Laissez le moteur refroidir pendant au moins 5 minutes avant d'effectuer un réglage ou une réparation.
20. Ne laissez jamais le moteur tourner dans un lieu fermé ou mal aéré en raison de la présence de monoxyde de carbone, un gaz inodore très dangereux dans les gaz d'échappement.

## PRÉCAUTIONS RELATIVES AUX ENFANTS

1. Redoublez de vigilance si vous avez des enfants. Ces derniers aiment bouger, peuvent se déplacer à tout moment à votre insu et sont souvent attirés par les appareils de jardin sans se rendre compte du danger, ce qui peut provoquer de très graves accidents.
2. Les enfants doivent être sous la surveillance d'un adulte autre que l'utilisateur de l'appareil et ne doivent pas s'approcher de la zone de travail. Coupez le moteur dès que quelqu'un s'approche.
3. Restez vigilant et arrêtez la tondeuse dès qu'un enfant s'approche de la zone de travail.
4. L'âge minimum pour pouvoir utiliser cette tondeuse est de 14 ans. Si vous souhaitez permettre à vos enfants de plus de 14 ans de tondre la pelouse, lisez d'abord les consignes de sécurité et d'utilisation avec eux, montrez-leur comment faire et exigez qu'un adulte soit présent en tout temps.
5. Cette tondeuse est un appareil de précision motorisé et non un jouet. Soyez très prudent en toutes circonstances. Cet appareil a été conçu pour tondre du gazon. Ne l'utilisez pas à d'autres fins.
6. Soyez particulièrement vigilant à l'abord de virages masqués, portails, buissons, arbres etc. desquels les enfants peuvent surgir d'un coup.
7. Ne laissez pas les enfants s'approcher du moteur en marche ou encore chaud ou du silencieux car ils risquent de se brûler.
8. Après avoir arrêté le moteur, retirez la clé de démarrage (s'il y en a une) et gardez-la dans un lieu sûr, hors de la portée des enfants.

## UTILISATION SUR UNE PENTE

1. Le risque de glisser et de renverser l'appareil dans une pente est beaucoup plus élevé que sur terrain plat et les blessures qui en résultent peuvent être très graves, voire mortelles. Vous devez donc redoubler de vigilance même dans les pentes douces. Ne vous engagez pas sur une pente si vous ne vous sentez pas à l'aise.
2. Par mesure de sécurité, mesurez toute pente à tondre avec l'inclinomètre de ce manuel avant de vous y engager avec la tondeuse. Utilisez aussi un dispositif de mesure pour déterminer la pente à tondre avant d'utiliser l'appareil. Vous pouvez aussi utiliser les applications pour téléphone pour mesurer les pentes. Évitez impérativement les pentes dont l'inclinaison est supérieure à 15° (25 %) car les risques d'accident grave y sont très élevés.
3. Ne tondez pas sur des pentes avec une inclinaison supérieure à 15° (25 %).
4. Travaillez perpendiculairement à la pente, et non dans le sens de la pente.
5. Tournez toujours vers le haut de la pente, la tondeuse peut accélérer lorsque vous effectuez un virage en descendez la pente. Vous devez toujours avoir le contrôle de l'appareil.
6. Ne tondez pas si la pelouse est mouillée. La traction réduite peut causer un glissement et une perte de contrôle.
7. N'utilisez pas la tondeuse si sa traction, sa stabilité ou sa conduite sont remises en question. Veillez à conserver votre équilibre. Une chute peut entraîner de graves blessures. Si vous perdez l'équilibre, relâchez immédiatement la commande de la lame; la lame s'arrêtera en moins de 3 secondes.
8. Ne vous approchez pas à moins d'un mètre (3 pieds) des rebords surélevés, des fossés, des remblais ou des rives. Vous risquez d'y tomber.

## ESSENCE

1. Faites très attention lorsque vous manipulez de l'essence. **Ce liquide est extrêmement inflammable et dégage des vapeurs explosives.** Une simple éclaboussure sur la peau ou les vêtements peut s'enflammer et causer de graves brûlures. Nettoyez immédiatement toute éclaboussure sur la peau et changez de vêtements.
2. Éteignez cigares, cigarettes, pipes et tout autre objet susceptible de s'enflammer.
3. N'utilisez que des bidons d'essence homologués.
4. N'ouvrez pas le réservoir si le moteur est allumé ou encore chaud. Laissez le moteur refroidir pendant au moins 5 minutes avant de faire le plein.
5. Ne faites jamais le plein à l'intérieur.
6. N'entreposez jamais l'appareil ou les bidons d'essence à proximité d'une flamme nue, d'étincelles ou d'une veilleuse (chauffe-eau, radiateur, sècheuse, appareils fonctionnant au gaz).

7. En cas de débordement, essuyez l'essence sur le moteur et sur l'appareil. Essuyez les éclaboussures d'essence et d'huile et éliminez les débris souillés. Puis changez l'appareil de place et attendez 5 minutes avant de redémarrer le moteur.
8. Pour limiter les risques d'incendie, retirez les brins d'herbe, feuilles et autres débris accumulés sur le moteur. Suivez les instructions de la section Entretien pour nettoyer votre tondeuse.
9. Ne remplissez pas le réservoir à ras bord : Laissez un espace d'environ 2,5 cm (1 pouce) sous le col de remplissage du réservoir pour permettre l'expansion de l'essence.
10. Veillez à remettre correctement le bouchon du réservoir lorsque vous avez terminé.
11. Laissez refroidir l'appareil pendant au moins 5 minutes avant de le ranger ou de faire le plein.
12. Ne remplissez jamais les bidons à l'intérieur d'un véhicule ou encore à l'arrière d'un camion ou d'une remorque à plancher de plastique. Placez toujours les bidons par terre et loin de votre véhicule pour les remplir.
13. Déchargez l'appareil et faites le plein par terre dans la mesure du possible. Si cela n'est pas possible, faites le plein avec un bidon plutôt que directement du pistolet distributeur.
14. Posez le pistolet du distributeur sur le rebord du réservoir ou du bidon pour faire le plein et ne le bloquez pas en position ouverte.

## ENTRETIEN

1. Gardez la tondeuse en bon état de fonctionnement. Remplacez les pièces usées ou endommagées.
2. Un accident grave ou fatal peut résulter d'une modification du moteur, quelle qu'elle soit. Toute modification apportée au régulateur de vitesse peut provoquer l'emballement du moteur et accélérer dangereusement sa vitesse en état de marche. Ne modifiez jamais cet élément. Ne modifiez pas le réglage du régulateur de vitesse et ne faites pas tourner le moteur à une vitesse excessive. Le régulateur maintient le moteur au meilleur régime.
3. Les lames sont très tranchantes et doivent être manipulées prudemment. Enveloppez-les dans un chiffon ou portez des gants.
4. Avant de nettoyer, de réparer ou d'examiner l'appareil, vérifiez que toutes les pièces mobiles, y compris la lame, sont immobilisées. Débranchez le fil de bougie et mettez-le à la masse contre le moteur pour empêcher ce dernier de démarrer.
5. Les lames doivent s'immobiliser en 3 secondes lorsque vous les débrayez. Si ce n'est pas le cas, confiez votre appareil à un concessionnaire agréé pour y remédier. Vérifiez régulièrement leur bon fonctionnement selon les instructions de la section Entretien.

# CONSIGNES DE SÉCURITÉ IMPORTANTES

6. Surveillez également le système de verrouillage de sécurité, dont le fonctionnement est décrit plus loin dans ce manuel. Si ce système ne fonctionne plus correctement, faites-le réparer par un concessionnaire.
7. Ne modifiez jamais la commande de la lame et les autres dispositifs de sécurité. Vérifiez régulièrement leur bon fonctionnement selon les instructions de la section Entretien.
8. Vérifiez le serrage des lames et des boulons de montage du moteur selon les instructions de la section Entretien. Pensez à vérifier l'état des lames. Si elles sont émoussées, tordues ou fissurées, remplacez-les par des lames d'origine.
9. Attention, pour obtenir le meilleur de votre tondeuse et éviter les accidents dus à des pièces non conformes aux spécifications du fabricant, utilisez des pièces d'origine.
10. Assurez-vous régulièrement que tous les écrous, boulons et vis sont bien serrés et en bon état selon les instructions de la section Entretien.
11. Si vous heurtez un objet, arrêtez immédiatement le moteur, débranchez le fil de bougie et mettez-le à la masse contre le moteur. Vérifiez l'état de la tondeuse et ne redémarrez pas si elle est endommagée.
12. Arrêtez impérativement le moteur avant d'effectuer un réglage ou une réparation.
13. Quand le sac à herbe ou le couvercle d'éjection sont usés ou cassés, les lames peuvent se trouver exposées, ce qui est dangereux et augmente le risque de blessures à cause de projections. Par mesure de sécurité, vérifiez souvent ces éléments. Si nécessaire, utilisez des pièces d'origine pour les remplacer. Attention, pour obtenir le meilleur de votre tondeuse et éviter les accidents dus à des pièces non conformes aux spécifications du fabricant, utilisez des pièces d'origine.
14. Les avertissements figurant sur vos équipements doivent toujours être lisibles. Remplacez-les si ce n'est plus le cas.
15. Respectez la législation sur l'élimination des déchets liquides (essence, huile, etc.) afin de préserver l'environnement.

## AVIS CONCERNANT LES ÉMISSIONS

Les moteurs certifiés conformes aux normes d'émission de l'Agence américaine de protection de l'environnement (EPA) pour équipements hors route (Small Off Road Equipment) sont conçus pour fonctionner à l'essence ordinaire sans plomb et peuvent être dotés des dispositifs antipollution suivants : modification du moteur (EM) et convertisseur catalytique à trois voies (TWC).

Certains modèles sont équipés de conduites et réservoirs à perméation faible pour limiter les émissions par évaporation. Si vous désirez savoir de quels dispositifs votre modèle est équipé, contactez notre service de soutien technique.

## PARE-ÉTINCELLES

### AVERTISSEMENT

Cet appareil est équipé d'un moteur à combustion interne. Le pot d'échappement doit obligatoirement être équipé d'un pare-étincelles conforme à la législation provinciale et locale (le cas échéant) pour pouvoir être utilisé sur un terrain boisé non entretenu, broussailleux ou herbeux ou en bordure d'un tel terrain.

Si un pare-étincelles est utilisé, il doit être maintenu en bon état de fonctionnement par l'opérateur. Les lois fédérales sont en vigueur sur les terres fédérales, les États peuvent avoir des lois individuelles.

Vous pouvez vous procurer un pare-étincelles pour le silencieux auprès d'un centre de service agréé ou en contactant le service à la clientèle (MTD Products Limited, C. P. 1386 Kitchener, Ontario N2G 4J1).

## INCLINOMÈTRE (DERNIÈRE PAGE)

### AVERTISSEMENT

Le risque de glisser et de renverser l'appareil dans une pente est beaucoup plus élevé que sur terrain plat et les blessures qui en résultent peuvent être très graves, voire mortelles. Vous devez donc redoubler de vigilance même dans les pentes douces. Ne vous engagez pas sur une pente si vous ne vous sentez pas à l'aise. Ne tondez pas sur des pentes avec une inclinaison supérieure à 15° (25 %). Travaillez perpendiculairement à la pente, et non dans le sens de la pente.

PAR MESURE DE SÉCURITÉ, MESUREZ TOUTE PENTE À TONDRE AVEC L'INCLINOMÈTRE À LA DERNIÈRE PAGE DE CE MANUEL POUR ÉTABLIR SI LA PENTE EST TROP RAIDE !












Procédez comme suit pour vérifier l'inclinaison :

1. Allez à la dernière page et pliez-la en suivant la ligne pointillée.
2. Cherchez un objet vertical sur la pente ou à l'arrière (un poteau, un bâtiment, une clôture, un arbre, etc.).
3. Alignez un côté de l'inclinomètre avec cet objet.
4. Réglez l'inclinomètre vers le haut ou vers le bas jusqu'à ce que le coin gauche touche la pente.
5. S'il y a un écart sous l'inclinomètre, la pente est trop raide pour une utilisation sans danger.

# CONSIGNES DE SÉCURITÉ IMPORTANTES

## SIGNIFICATION DES SYMBOLES

Vous trouverez ci-dessous les symboles de sécurité qui peuvent se trouver sur votre appareil. Veuillez lire attentivement toutes les instructions inscrites sur ce dernier avant de l'assembler et de l'utiliser.

Symboles	Description
 <p><b>OPESymbol.com</b></p>	<b>AVERTISSEMENT - LISEZ LE(S) MANUEL(S) DE L'UTILISATEUR</b> - Veuillez lire toutes les consignes de sécurité et toutes les instructions de ce manuel avant d'utiliser l'appareil afin d'écartier tout risque d'accident et de blessure. Conservez ce manuel en lieu sûr pour pouvoir le consulter ultérieurement et pour pouvoir commander des pièces de rechange.
	<b>DANGER - RISQUE D'AMPUTATION</b> - N'approchez pas les pieds ou les mains ni des lames, ni du dessous du plateau de coupe : vous pourriez vous blesser grièvement, au point de devoir subir une amputation.
	<b>DANGER - RISQUE D'OBJETS PROJÉTÉS</b> - Ramassez les pierres, brindilles, fils, os, jouets et autres objets qui pourraient être projetés ou sur lesquels vous pourriez trébucher. Demeurez toujours derrière l'appareil en marche et ne permettez à personne de s'approcher à moins de 23 mètres (75 pieds). Personne ne doit s'approcher de la zone de travail.
	<b>DANGER - ÉVITEZ LE CONTACT AVEC LES LAMES ET LES BLESSURES CAUSÉES PAR LES OBJETS PROJÉTÉS</b> - Pour éviter tout contact avec les lames et toute blessure causée par une projection, n'utilisez pas l'appareil si des personnes, surtout des enfants, se trouvent à proximité. Ne laissez pas vos proches, enfants ou animaux de compagnie dehors lorsque vous tondez. Personne ne doit s'approcher de la zone de travail.
	<b>DANGER - RISQUE D'OBJETS PROJÉTÉS</b> - Il est dangereux d'utiliser cette tondeuse sans son déflecteur d'éjection ou sans son sac à herbe. Demeurez toujours derrière l'appareil en marche.
	<b>DANGER - LAMES ROTATIVES</b> - Afin d'éviter les blessures, n'approchez pas vos mains ni vos pieds des lames rotatives. N'utilisez pas l'appareil sans le couvercle d'éjection ou le bac récupérateur en place. S'ils sont endommagés, remplacez-les immédiatement.
	<b>DANGER - RISQUE DE TOMBER ET DE GLISSER</b> - Le risque de glisser et de renverser l'appareil dans une pente est beaucoup plus élevé que sur terrain plat et les blessures qui en résultent peuvent être très graves, voire mortelles. Vous devez donc redoubler de vigilance même dans les pentes douces. Ne vous engagez pas sur une pente si vous ne vous sentez pas à l'aise. Ne tondez pas sur des pentes avec une inclinaison supérieure à 15° (25 %). Travaillez perpendiculairement à la pente, et non dans le sens de la pente.
	<b>DANGER - ÉVITEZ LES BLESSURES AUX YEUX</b> - Portez toujours des lunettes de sécurité pour tondre et pour effectuer un réglage ou une réparation. Vos yeux sont particulièrement vulnérables aux projections.
	<b>DANGER - ÉVITEZ LES BLESSURES CAUSÉES PAR LES CHUTES</b> - Ne tirez jamais la tondeuse vers vous lorsque vous tondez la pelouse. Si vous devez faire reculer la tondeuse, regardez vers le sol et derrière vous.
	<b>AVERTISSEMENT - ESSENCE, PRODUIT INFLAMMABLE</b> - Laissez le moteur refroidir pendant au moins 5 minutes avant de faire le plein.
	<b>AVERTISSEMENT - RISQUE DE BRÛLURE</b> - Ne touchez pas le silencieux et le moteur, car ils deviennent chauds et pourraient vous brûler. Laissez le moteur refroidir pendant 5 minutes avant d'effectuer un réglage ou de remiser l'appareil.

## ⚠ AVERTISSEMENT

Il est de votre responsabilité de vous assurer que seules des personnes capables de lire, de comprendre et de respecter les consignes de sécurité figurant sur le moteur et dans cette notice utilisent votre appareil. - **CONSERVEZ CES INSTRUCTIONS !**

## ASSEMBLAGE

**IMPORTANT!** Cette tondeuse est livrée sans essence et sans huile. Après avoir assemblé l'appareil, faites le plein d'essence et d'huile selon les instructions de la notice d'utilisation du moteur fournie.

**NOTE :** Dans ce manuel, les mentions de droite et de gauche s'entendent à partir du poste de commande.

### Déballage

#### OUVERTURE DE LA BOÎTE

1. Coupez les coins de la boîte de haut en bas.
2. Retirez tous les éléments :
  - Sac à herbe (si présent)
  - Huile à moteur

3. Enlevez le matériel d'emballage.

#### RETRAIT DE LA TONDEUSE DE LA BOÎTE

1. Levez l'arrière de la tondeuse et détachez-la du carton et poussez-la hors de la boîte.
2. Assurez-vous de retirer toutes les pièces de la boîte.
3. Enlevez le matériel d'emballage qui se trouve entre la partie supérieure et la partie inférieure du guidon.

### Assemblage

Procédez comme suit pour assembler la tondeuse :

- **Assemblage du guidon**
  - Guidon : voir page 54.
  - Guidon repliable : voir page 55.
  - Guidon rabattable (rangement vertical) : voir page 56.
- **Installation de la corde de démarrage**
- **Installation du sac à herbe (le cas échéant)**
- **Installation du déflecteur d'éjection latérale ou du souffleur latéral (le cas échéant)**
- **Démarrage électrique (le cas échéant)**

**NOTE :** Reportez-vous aux procédures de la section Réglages pour ajuster la hauteur de coupe, l'angle de la poignée (le cas échéant) et la commande d'entraînement (le cas échéant) au besoin.

### Assemblage du guidon

#### GUIDON

1. Retirez les boutons étoile ou les écrous papillon (a) et les boulons de carrosserie (b) du guidon. Passez à l'étape 2 si le guidon est doté de loquets (c) (Figure 1).

**NOTE :** Les loquets sont placés à la position déverrouillée aux fins d'expédition.

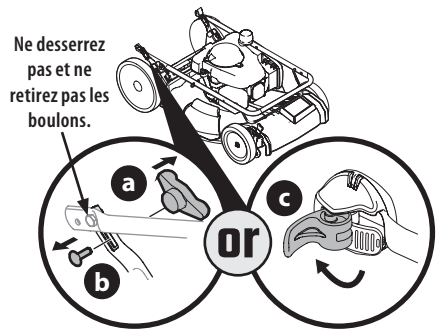


Figure 1

2. Retirez les boulons à oreilles (d) des supports du guidon (Figure 2).
3. Assurez-vous que la tondeuse est stable, puis relevez la partie supérieure (e) (Figure 2). Veillez à ne pas pincer le câble de commande de la lame lorsque vous relevez le guidon.

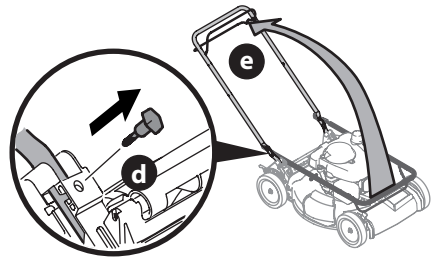


Figure 2

4. Tirez le guidon (e) vers le haut jusqu'à ce que les trous (f) de la partie inférieure (voir l'encadré de la Figure 3) s'alignent avec les trous des supports (g) du guidon (Figure 3).

**NOTE :** Veillez à ne pas faire sortir le guidon des supports lorsque vous le tirez vers le haut.

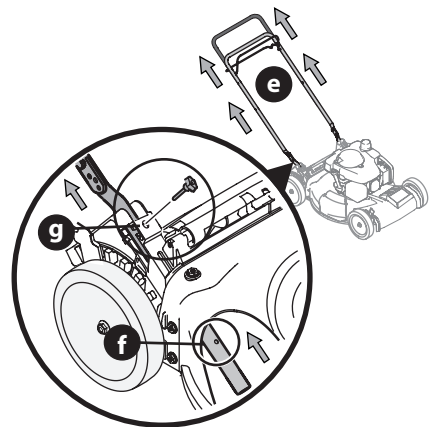


Figure 3

5. Remplacez les boutons étoile ou les écrous papillon (a) et les boulons de carrosserie (b) retirés à l'étape 1 dans les trous de la partie inférieure du guidon ou placez les loquets (c) dans la position de verrouillage (Figure 4).

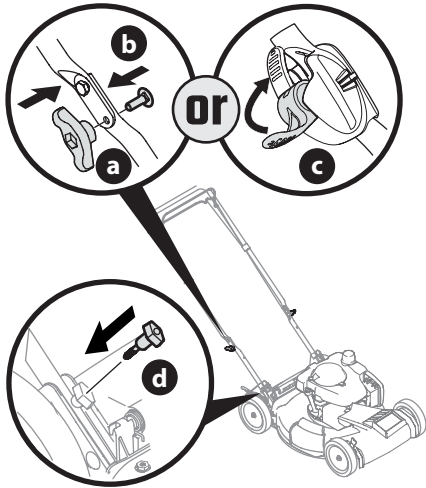


Figure 4

**IMPORTANT!** Lorsque vous placez le loquet (c) en position de verrouillage, assurez-vous que l'indicateur (h) est aligné avec une des trois positions (i) (Figure 5).

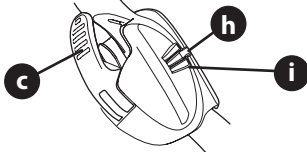


Figure 5

6. Insérez les boulons à oreilles (d), retirés à l'étape 2, dans les supports du guidon et dans la partie inférieure (Figure 4). Serrez bien les boulons pour fixer le guidon.

## GUIDON REPLIABLE

1. Retirez les boutons étoile ou les écrous papillon (a) et les boulons de carrosserie (b) du guidon. Passez à l'étape 2 si le guidon est doté de loquets (c) (Figure 6).

**NOTE :** Les loquets sont placés à la position déverrouillée aux fins d'expédition.

Ne desserrez pas et ne retirez pas les boulons.

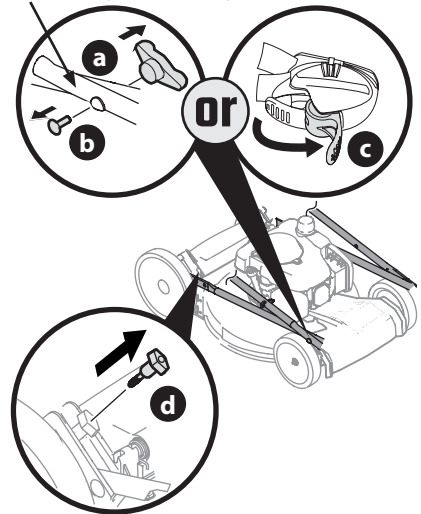


Figure 6

- Retirez les boulons à oreilles (d) des supports du guidon (Figure 6).
- Assurez-vous que la tondeuse est stable, relevez le guidon et dépliez la partie supérieure (Figure 7). La partie inférieure doit être bien fixée dans les supports. Veillez à ne pas pincer le câble de commande de la lame ou le câble d'entraînement lorsque vous relevez le guidon.

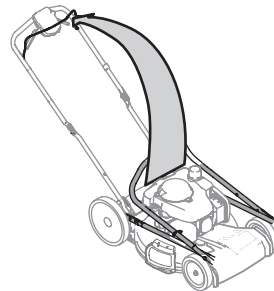


Figure 7

4. Remplacez les boutons étoile ou les écrous papillon (a) et les boulons de carrosserie (b) retirés à l'étape 1 dans les trous de la partie inférieure du guidon ou placez les loquets (c) dans la position de verrouillage (Figure 8).

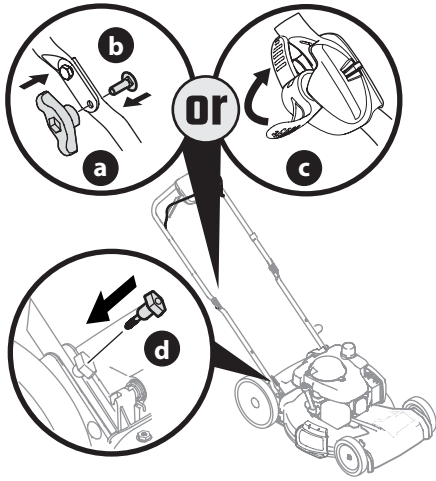


Figure 8

**IMPORTANT!** Lorsque vous placez le loquet (c) en position de verrouillage, assurez-vous que l'indicateur (e) est aligné avec une des trois positions (f) (Figure 9).

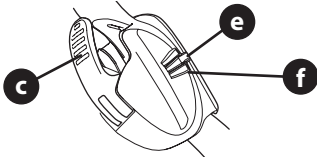


Figure 9

5. Retenez la partie inférieure aux supports du guidon avec les boulons à oreilles (d) retirés à l'étape 2 (Figure 8). Serrez bien les boulons pour fixer le guidon.

## GUIDON RABATTABLE (RANGEMENT VERTICAL)

1. Retirez les quatre boulons de carrosserie et les écrous de la partie inférieure (Figure 10).

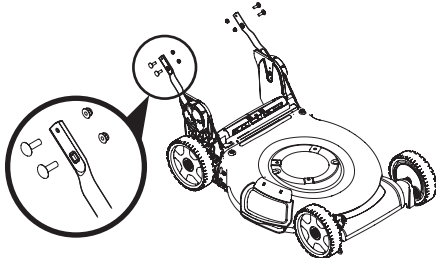


Figure 10

2. Abaissez les deux loquets pour les déverrouiller. Voir l'encadré de la Figure 11.

3. Assurez-vous que les parties inférieures du guidon pointent vers l'avant de la tondeuse.

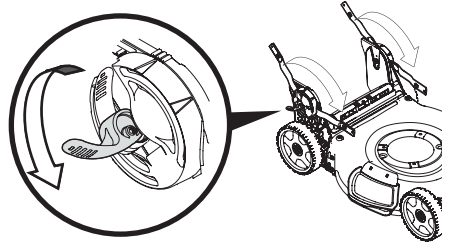


Figure 11

4. Utilisez les quatre boulons de carrosserie et les écrous retirés à l'étape 1 pour fixer les deux parties du guidon. Serrez-les bien pour fixer le guidon (Figure 12).

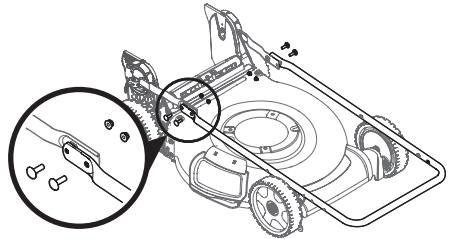


Figure 12

5. Assurez-vous que la tondeuse est stable, puis relevez la partie supérieure (a) (Figure 13). Veillez à ne pas pincer le câble de commande de la lame ou le câble d'entraînement lorsque vous relevez le guidon.
6. Lorsque vous relevez la partie supérieure du guidon, assurez-vous que l'indicateur (b) est aligné avec une des trois positions (c) (Figure 13).
7. Relevez les deux loquets pour les verrouiller (Figure 13).
8. Vérifiez que toute la quincaillerie est bien serrée.

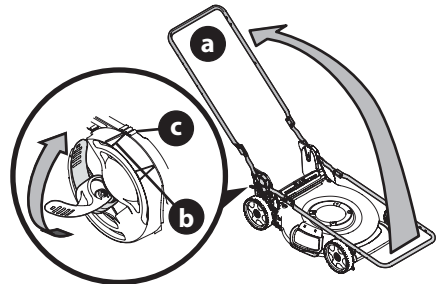


Figure 13

## Installation de la corde de démarrage

**NOTE :** Le guide-câble est fixé sur le côté droit de la partie supérieure du guidon. Desserrez l'écrou papillon retenant le guide-câble (Figure 14).

**NOTE :** Tondeuses portant la mention « rangement vertical » : La bague d'arrêt placée sur la corde l'empêche d'être tirée vers le lanceur à rappel. Ne retirez pas cette bague.

**NOTE :** Certaines unités comprennent un nœud coulissant dans la corde de démarrage de recul pour réduire le mou pendant l'expédition. Assurez-vous que le nœud coulissant est défait avant d'effectuer cette procédure.

1. Serrez la commande de la lame contre la partie supérieure du guidon.
2. Tirez lentement la poignée de la corde de démarrage placée sur le moteur, puis placez la corde dans le guide-câble.
3. Serrez l'écrou papillon du guide-câble.

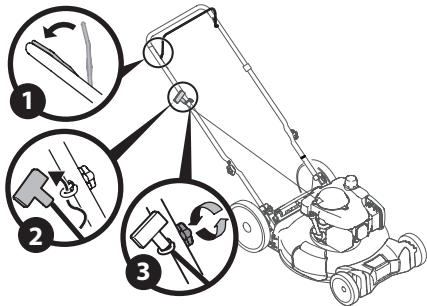


Figure 14

**NOTE :** Sur certains modèles, il faut fixer la commande de la lame et les câbles d'entraînement à la partie inférieure du guidon avec les attaches de câble fournies (Figure 15).

**IMPORTANT !** Laissez suffisamment de mou dans la partie supérieure des câbles afin de réduire l'usure et permettre le bon fonctionnement de l'appareil.

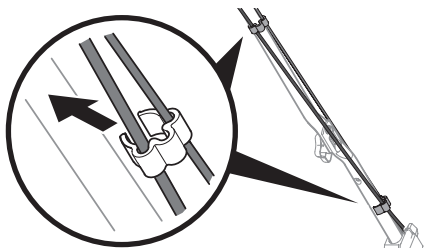


Figure 15

## Installation du sac à herbe (le cas échéant)

1. Procédez comme suit pour assembler le sac à herbe (Figure 16).

**NOTE :** Avant d'assembler le sac à herbe, assurez-vous que l'étiquette d'avertissement du sac se trouve à l'extérieur.

- a. Vérifiez que le côté en plastique noir du sac se trouve en bas, puis installez le sac sur son support.
- b. Rabattez le rebord en plastique (a) du sac à herbe sur les crochets du support (b).

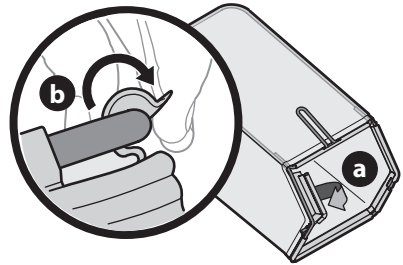


Figure 16

2. Suivez les étapes ci-dessous pour installer le sac à herbe sur la tondeuse (Figure 17) :

- a. Soulevez le couvercle d'éjection arrière (a).
- b. Retirez le bouchon de déchetage (b) (sur certains modèles seulement).
- c. Placez le support du sac sur les crochets de la poignée (c). Abaissez le couvercle d'éjection pour qu'il repose sur le sac à herbe.

**NOTE :** Pour retirer le sac à herbe, relevez le couvercle d'éjection. Soulevez le sac et retirez-le des crochets de la poignée. Remplacez le bouchon de déchetage, le cas échéant. Abaissez le couvercle d'éjection pour couvrir l'ouverture.

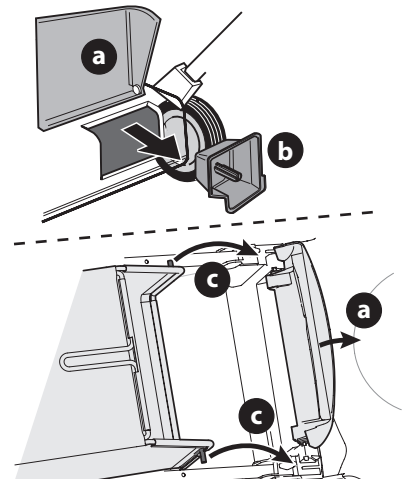


Figure 17

## Installation du déflecteur d'éjection latérale ou du souffleur latéral (le cas échéant)

La tondeuse est livrée avec le bouchon de déchetage installé. Pour utiliser la tondeuse avec le déflecteur d'éjection ou le souffleur latéral, retirez le sac à herbe de la tondeuse, installez le bouchon de déchetage (le cas échéant) et abaissez le couvercle d'éjection arrière.

1. Relevez le bouchon de déchetage (Figure 18).
2. Faites glisser les deux crochets du déflecteur d'éjection (a) ou le souffleur latéral (b) sous l'axe de charnière du bouchon de déchetage. Abaissez le bouchon de déchetage.

**IMPORTANT!** Ne retirez en aucun cas le bouchon de déchetage.

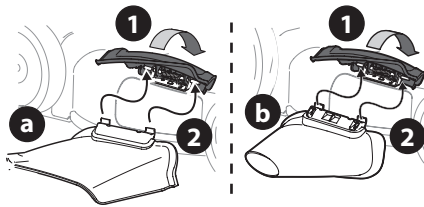


Figure 18

**NOTE :** Certains déflecteurs d'éjection latérale sont dotés d'une attache qui permet de les retenir au guidon. Si tel est le cas, le déflecteur d'éjection peut être fixé au guidon même lorsqu'il n'est pas utilisé (Figure 19).

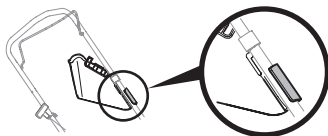


Figure 19

## Démarrage électrique (le cas échéant)

**NOTE :** Les tondeuses à démarrage électrique sont dotées d'une batterie au plomb dans un boîtier (voir Boîtier de batterie du démarreur électrique (le cas échéant)) ou d'une batterie au lithium-ion (voir Installation/retrait de la batterie (le cas échéant)).

## BOÎTIER DE BATTERIE DU DÉMARREUR ÉLECTRIQUE (LE CAS ÉCHÉANT)

**NOTE :** Retirez l'attache de câble (a) du boîtier de la batterie. Cette attache est utilisée à des fins d'expédition (Figure 20).

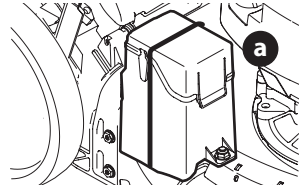


Figure 20

## INSTALLATION/RETRAIT DE LA BATTERIE (LE CAS ÉCHÉANT)

**NOTE :** Avant la première utilisation, effectuez une charge complète de la batterie pour une performance et une durée de vie optimale de la batterie.

### ⚠ AVERTISSEMENT

Lisez attentivement les avertissements, instructions et mises en garde concernant la batterie, le chargeur et le produit. Le non-respect de ces avertissements et instructions pourrait entraîner des chocs électriques, des blessures graves ou des incendies.

**IMPORTANT!** Consultez le manuel d'utilisation du chargeur pour les instructions concernant la recharge, l'entretien et le recyclage de la batterie.

### Installation de la batterie (Figure 21 à la page 59)

1. Relevez le couvercle du boîtier de la batterie.
2. Placez la batterie sur le boîtier. Vous entendez un dé clic lorsque la batterie est bien branchée.
3. Fermez le couvercle du boîtier.

### Retrait de la batterie (Figure 21 à la page 59)

1. Relevez le couvercle du boîtier de la batterie.
2. Appuyez sur le loquet de verrouillage de la batterie.
3. Retirez la batterie.
4. Fermez le couvercle du boîtier.

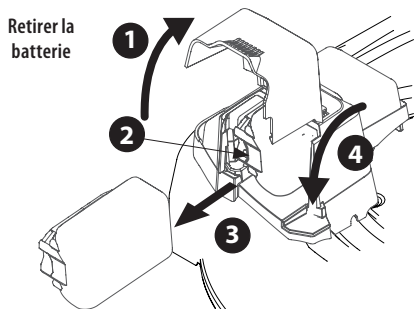
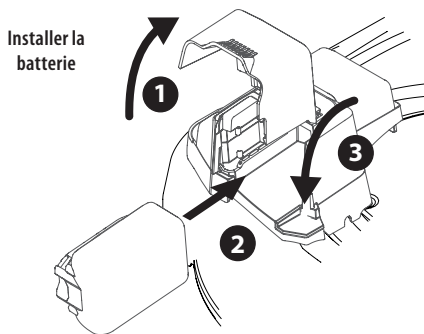


Figure 21

## RÉGLAGES

### Réglage de la hauteur de coupe

Il y a trois façons de régler la hauteur de coupe. Consultez la section qui se rapporte à votre modèle de tondeuse.

#### UN LEVIER

Un levier de réglage se trouve sur la roue arrière gauche (Figure 22).

1. Tirez le levier de réglage de la hauteur de coupe vers la roue. Faites attention, la tondeuse risque de basculer lorsque vous déplacez le levier vers l'extérieur.
2. Placez le levier à la position désirée.
3. Relâchez le levier de réglage.

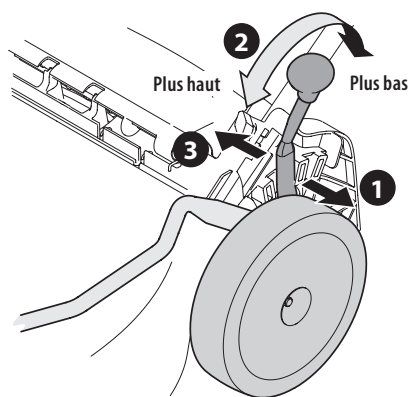


Figure 22

#### DEUX LEVIERS

**Tondeuses à traction avant :** un levier se trouve sur la roue avant droite et l'autre sur la roue arrière droite.

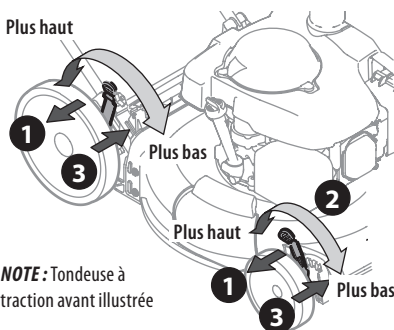
**Tondeuses à traction arrière :** un levier se trouve sur la roue avant gauche et l'autre sur la roue arrière gauche.

**NOTE :** Le modèle à traction avant est illustré à la Figure 23.

**NOTE :** Pour régler la hauteur de coupe de certains modèles, vous devez déplacer les leviers de réglage dans le sens opposé.

1. Tirez le levier de réglage de la hauteur de coupe vers la roue. Faites attention, la tondeuse risque de basculer lorsque vous déplacez le levier vers l'extérieur.
2. Placez le levier à la position désirée.
3. Relâchez le levier de réglage.

**IMPORTANT !** Toutes les roues doivent être réglées à la même hauteur de coupe. Si le terrain est accidenté, réglez les roues à une plus haute position pour que l'herbe ne soit pas coupée trop court.



**NOTE :** Tondeuse à traction avant illustrée

Figure 23

## RÉGLAGE DES ROUES ARRIÈRE / ROUES PIVOTANTES

**NOTE :** Le levier de réglage des roues arrière est situé sur la roue arrière gauche (Figure 24).

1. Tirez le levier de réglage vers l'extérieur en l'éloignant de la tondeuse.
2. Déplacez le levier vers l'avant ou vers l'arrière à la position de coupe désirée.
3. Relâchez le levier vers le plateau de coupe.

**NOTE :** La hauteur des roues avant est déterminée par la position du boulon sur chaque fourche (Figure 24).

4. Retirez l'écrou papillon (a) du boulon de l'essieu (b). Retirez le boulon de l'essieu de la fourche de la roue. Sélectionnez la hauteur de coupe désirée.
5. Insérez le boulon de l'essieu dans le trou carré désiré de la fourche, puis fixez-le avec l'écrou papillon retiré à l'étape 4.

**IMPORTANT !** Toutes les roues doivent être réglées à la même hauteur de coupe. Si le terrain est accidenté, réglez les roues à une plus haute position pour empêcher le dégazonnement de la pelouse.

6. Les roues pivotantes peuvent se déplacer librement ou être verrouillées en position de marche en ligne droite (Figure 24).
  - a. Tirez les goupilles de verrouillage vers le haut.
  - b. Placez les goupilles de verrouillage dans les trous plus larges pour verrouiller les roues pivotantes. Placez-les dans les trous plus petits pour que les roues se déplacent librement.

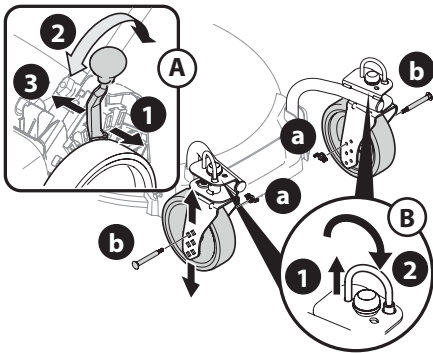


Figure 24

## Angle d'inclinaison du guidon (le cas échéant)

Pour plus de confort, ajustez l'angle du guidon. Suivez les instructions qui s'appliquent :

### GUIDON ET GUIDON REPLIABLE

1. Retirez les écrous papillon et les boulons de carrosserie du guidon (Figure 25).

2. Ajustez le guidon dans une des trois positions. Voir l'encadré de la Figure 25.
3. Fixez le guidon avec les écrous papillon et les boulons de carrosserie retirés à l'étape 1.

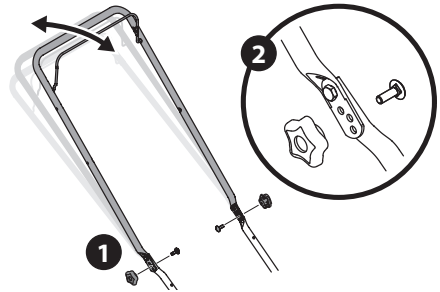


Figure 25

### GUIDON AVEC LOQUET OU GUIDON RABATTABLE

**NOTE :** Référez-vous à la Figure 26 pour le guidon avec loquet et à la Figure 27 à la page 61 pour le guidon rabattable.

1. Abaissez les deux loquets pour les déverrouiller. Voir l'encadré.
2. Placez la partie supérieure (a) du guidon dans la position la plus appropriée (b) en vous assurant que l'indicateur (c) est aligné.
3. Relevez les deux loquets pour les verrouiller. Voir l'encadré.

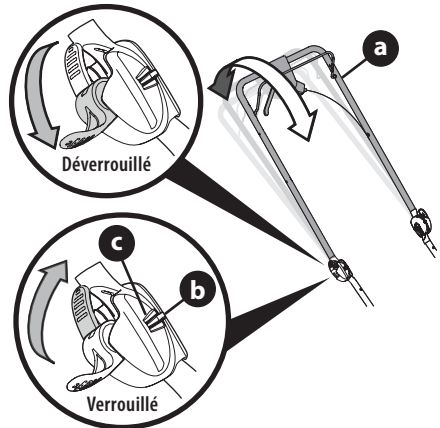


Figure 26

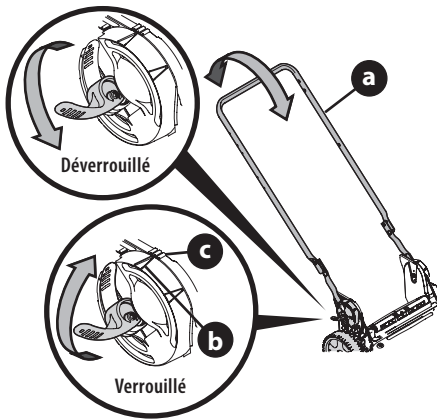


Figure 27

## Réglage de la commande d'entraînement

### COMMANDE D'ENTRAÎNEMENT À UN LEVIER OU À DEUX LEVIERS (LE CAS ÉCHÉANT)

Le cas échéant, un dispositif de réglage est situé sur le boîtier de la commande d'entraînement pour serrer ou desserrer la courroie d'entraînement. Il est nécessaire d'ajuster la commande d'entraînement si la tondeuse n'avance pas ou si les roues hésitent lorsque la commande d'entraînement est engagée. Si une de ces deux situations survient, faites pivoter le dispositif de réglage dans le sens horaire pour serrer le câble ou dans le sens anti-horaire pour desserrer le câble. La Figure 28 indique le réglage des modèles équipés d'une commande d'entraînement à un levier et la Figure 29 celui des modèles équipés d'une commande d'entraînement à deux leviers.

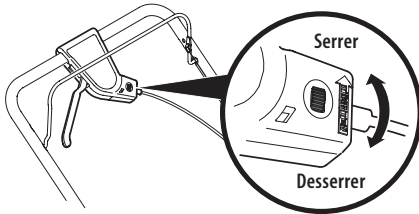


Figure 28

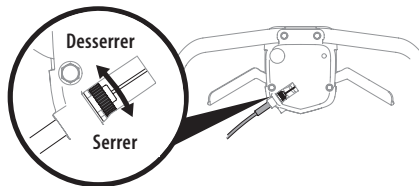


Figure 29

### COMMANDE D'ENTRAÎNEMENT SUPÉRIEURE (LE CAS ÉCHÉANT)

Le système d'entraînement est composé de poulies, d'une courroie et d'un câble reliant la transmission à la commande d'entraînement. Ajustez les composants mentionnés ci-dessus à mesure qu'ils s'usent. Pour ajuster la tringlerie d'entraînement :

1. Faites tourner le raccord du câble d'entraînement situé sur la poignée supérieure gauche vers le haut (Figure 30).

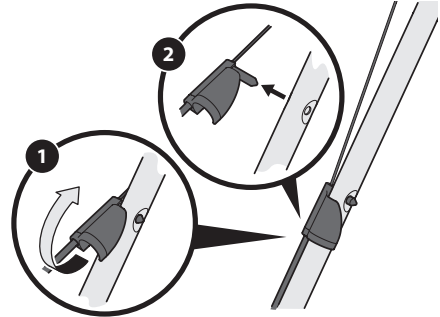


Figure 30

2. Retirez le raccord de la poignée.
3. Décrochez le câble (a) et retirez le coussinet en métal (b) de la commande d'entraînement en plastique (Figure 31).

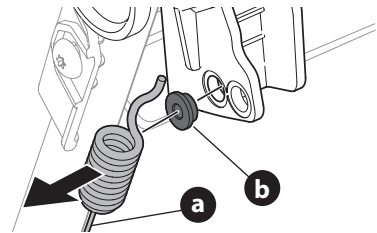


Figure 31

4. Insérez le coussinet dans le trou inférieur. Accrochez le câble en le passant dans le coussinet et le trou inférieur de la commande (Figure 32).

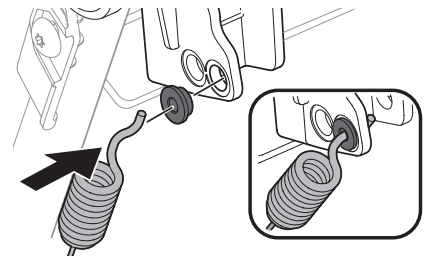


Figure 32

5. Remplacez le raccord du câble d'entraînement sur la poignée supérieure et tournez-le vers le bas.
6. Démarrez la tondeuse et vérifiez que la commande d'entraînement fonctionne bien.

# UTILISATION

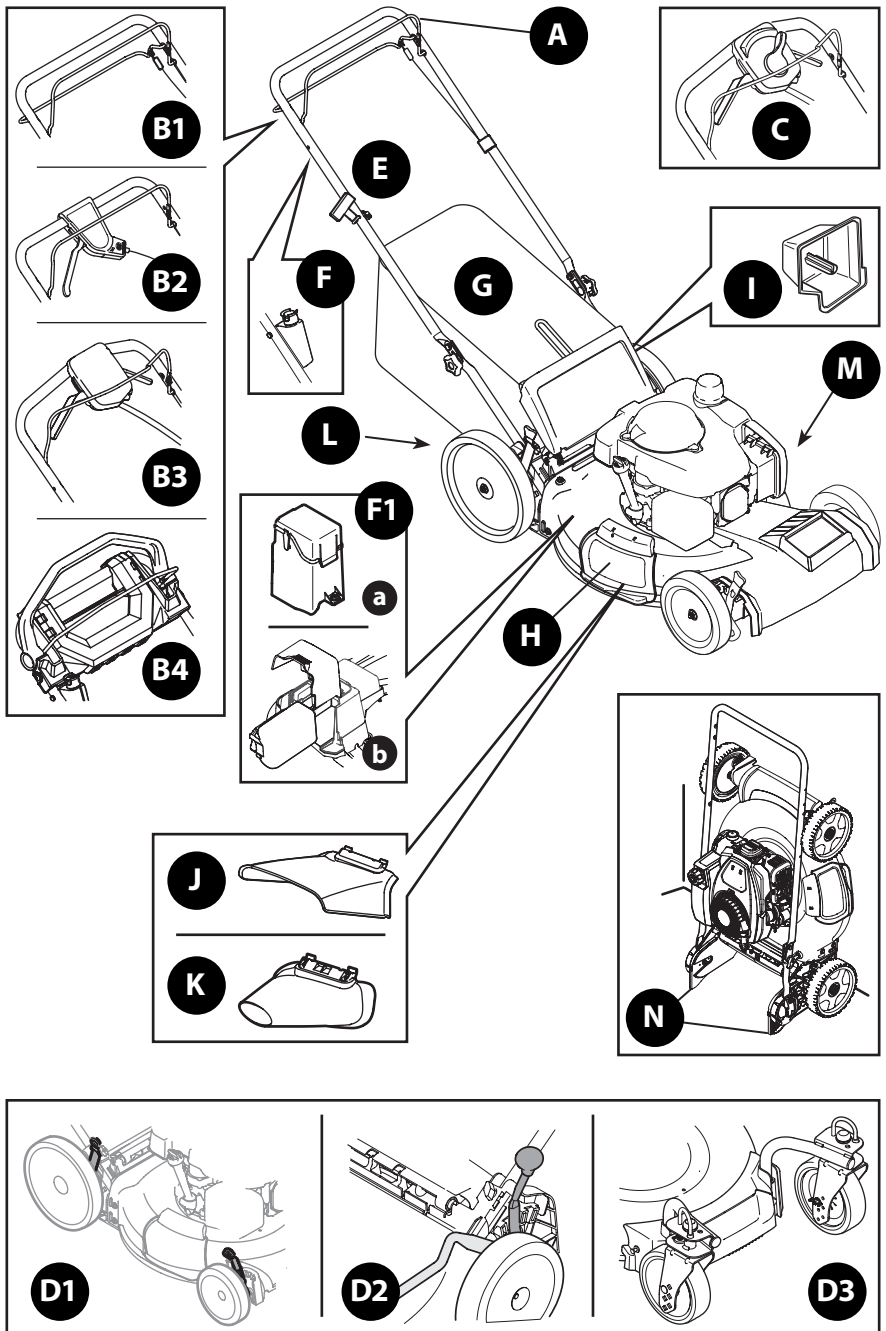


Figure 33

## CARACTÉRISTIQUES

### A. COMMANDE DE LA LAME

La commande de lame est fixée sur la partie supérieure du guidon de la tondeuse. Serrez la commande de la lame contre le guidon pour faire fonctionner la tondeuse. Relâchez la commande de la lame pour arrêter le moteur.

#### AVERTISSEMENT

La commande de la lame est un dispositif de sécurité. Ne la modifiez pas.

### B. COMMANDE D'ENTRAÎNEMENT

Il y a quatre façons de régler la commande d'entraînement, selon le modèle.

- 1. Commande d'entraînement :** la commande d'entraînement se trouve sous la partie supérieure de la poignée et sert à engager les roues. Serrez le levier de la commande contre la poignée supérieure pour engager le système d'entraînement. Relâchez la commande pour arrêter la tondeuse.
- 2. Commande d'entraînement à un levier :** la commande d'entraînement à un levier est située sur la partie supérieure de la poignée et sert à engager les roues. Serrez le levier de la commande contre la poignée supérieure pour engager le système d'entraînement. Relâchez la commande pour faire ralentir ou arrêter la tondeuse.
- 3. Commande d'entraînement à deux leviers :** la commande d'entraînement à deux leviers est située sur la poignée supérieure et sert à engager les roues. Serrez un levier ou les deux leviers contre la partie supérieure de la poignée pour faire avancer la tondeuse. Relâchez le(s) levier(s) pour la faire ralentir ou arrêter.
- 4. Commande d'entraînement supérieure :** la commande d'entraînement est située sur la partie supérieure de la poignée et sert à engager les roues. Poussez la commande d'entraînement vers l'avant pour faire avancer la tondeuse. Plus vous poussez la commande vers l'avant, plus l'appareil avance rapidement. Lorsqu'elle est relâchée, la commande d'entraînement revient à la position neutre et la transmission est aussitôt débrayée.

### C. COMMANDE DE VITESSE (LE CAS ÉCHÉANT)

La commande de vitesse est située sur le boîtier de commande de vitesse, sur la poignée supérieure. Utilisez cette commande pour sélectionner la vitesse de marche avant de la tondeuse.

**IMPORTANT!** Déplacez la commande de vitesse seulement lorsque le moteur est en marche. Ne modifiez pas le réglage de la commande de vitesse pendant que le moteur est arrêté, car cela risque d'endommager l'appareil.

### D. LEVIER DE RÉGLAGE DE LA HAUTEUR DE COUPE

Il y a trois façons de régler la hauteur de coupe, selon le modèle.

- 1. Réglage par deux leviers :** un levier se trouve sur la roue avant droite et l'autre sur la roue arrière droite. Pour ajuster la hauteur de coupe, consultez la section de Réglage de la hauteur de coupe à la 59.
- 2. Réglage par un levier :** le levier de réglage est situé sur la roue arrière gauche. Pour ajuster la hauteur de coupe, consultez la section de Réglage de la hauteur de coupe à la 59.
- 3. Réglage des roues arrière / roues pivotantes :** le levier de réglage des roues arrière est situé sur la roue arrière gauche. Les roues pivotantes peuvent être ajustées à la position désirée à l'aide des boulons de roue. Pour ajuster la hauteur de coupe, consultez la section de Réglage de la hauteur de coupe à la 59.

### E. LANCEUR À RAPPEL

Le lanceur à rappel se trouve sur le côté droit de la partie supérieure du guidon. Placez-vous derrière l'appareil et tirez la poignée du lanceur pour démarrer le moteur.

### F. BOUTON-POUSOIR DE DÉMARRAGE ÉLECTRIQUE (LE CAS ÉCHÉANT)

La clé de démarrage (bouton-poussoir) se trouve sur le côté droit de la poignée supérieure. La clé de démarrage est utilisée comme un bouton-poussoir et n'est disponible que sur les modèles à démarrage électrique.

**NOTE :** Ne laissez jamais la clé de contact sur l'appareil afin que vos enfants ne puissent pas démarrer le moteur. Gardez la clé en lieu sûr, hors de la portée des enfants.

1. Les tondeuses à démarrage électrique sont dotées d'une batterie dans un boîtier (a) ou d'une batterie amovible (b) (Figure 33 à la 62).

### G. SAC À HERBE (LE CAS ÉCHÉANT)

Le sac à herbe, placé à l'arrière de la tondeuse, sert à ensacher les débris d'herbe coupée. Lorsque le sac est rempli, retirez-le en utilisant la poignée, puis videz son contenu.

### H. BOUCHON DE DÉCHIQUETAGE (LE CAS ÉCHÉANT)

Le bouchon de déchiquetage est placé sur le côté droit de la tondeuse et doit être installé pour déchiqueter l'herbe et disperser les débris sur la pelouse.

## I. BOUCHON DE DÉCHIQUETAGE ARRIÈRE (LE CAS ÉCHÉANT)

Sur certains modèles, le bouchon de déchiquetage est un élément séparé. Ces modèles possèdent un système permettant de déchiqueter finement les débris d'herbe et de les disperser sur la pelouse. Ce bouchon doit être installé à l'ouverture arrière pour déchiqueter l'herbe ou lorsque vous utilisez le déflecteur d'éjection latérale.

## J. DÉFLECTEUR D'ÉJECTION LATÉRALE (LE CAS ÉCHÉANT)

Le déflecteur d'éjection latérale permet d'éjecter les déchets de tonte par le côté lorsque vous ne voulez pas les déchiqueter ou les envoyer dans le sac à herbe.

### ⚠ AVERTISSEMENT

N'approchez pas vos mains et vos pieds de l'ouverture d'éjection du plateau de coupe. Lisez l'étiquette d'avertissement sur l'appareil.

## K. SOUFFLEUR LATÉRAL (LE CAS ÉCHÉANT)

Utilisez ce souffleur pour souffler les feuilles ou les débris sur le côté.

## L. LANGUETTE DE PROTECTION

La languette de protection se trouve à l'arrière de la tondeuse et protège l'utilisateur des débris d'herbe. N'utilisez pas la tondeuse si la languette de protection ne fonctionne pas ou qu'elle n'est pas installée.

## M. SYSTÈME DE NETTOYAGE DU PLATEAU DE COUPE (LE CAS ÉCHÉANT)

Le plateau de coupe peut être équipé d'un embout qui s'adapte au système de nettoyage du plateau de coupe. Utilisez le système de nettoyage du plateau pour enlever les débris d'herbe coupée sous le plateau de coupe.

## N. GUIDON RABATTABLE (RANGEMENT VERTICAL) (LE CAS ÉCHÉANT)

Les modèles pouvant être rangés en position verticale sont dotés d'un guidon repliable.

### ⚠ AVERTISSEMENT

Ne rangez pas les tondeuses qui n'ont pas la mention « rangement vertical » en position verticale, car il peut y avoir des fuites d'essence ou d'huile et le moteur peut être endommagé.

Les tondeuses portant la mention « rangement vertical » sont conçues pour être rangées en position verticale.

## ESSENCE ET HUILE

**IMPORTANT!** Consultez la notice d'utilisation du moteur pour obtenir plus d'informations sur le moteur.

Cet appareil est livré sans essence et sans huile. Après avoir assemblé l'appareil, faites le plein d'essence et d'huile selon les instructions de la notice d'utilisation du moteur fournie avec l'appareil.

1. Avant de démarrer la tondeuse pour la première fois, ajoutez l'huile fournie selon les instructions de la notice d'utilisation du moteur.
2. Remplissez le réservoir d'essence selon les instructions de la notice d'utilisation du moteur.

### ⚠ AVERTISSEMENT

Soyez très prudent lorsque vous manipulez de l'essence. Ce liquide est extrêmement inflammable et dégage des vapeurs explosives. Ne faites jamais le plein dans un lieu fermé et n'ajoutez pas d'essence lorsque le moteur est en marche ou s'il est chaud. Éteignez cigares, cigarettes, pipes et tout autre objet susceptible de s'enflammer.

## VÉRIFICATION DU NIVEAU DE CHARGE DE LA BATTERIE (LE CAS ÉCHÉANT)

### ⚠ AVERTISSEMENT

Lisez attentivement les avertissements, instructions et mises en garde concernant la batterie, le chargeur et le produit. Le non-respect de ces avertissements et instructions pourrait entraîner des chocs électriques, des blessures graves ou des incendies.

**IMPORTANT!** Consultez le manuel d'utilisation du chargeur pour les instructions concernant la recharge, l'entretien et le recyclage de la batterie.

1. Pressez sur le bouton sur le devant de la batterie pour vérifier le niveau de charge. Voir Figure 34 à la 65.
  - Batterie chargée : le niveau de charge sera indiqué selon le nombre de voyants allumés.
  - Batterie déchargée : chargez la batterie si aucun voyant ne s'allume. Consultez le manuel d'utilisation du chargeur pour les instructions de recharge.

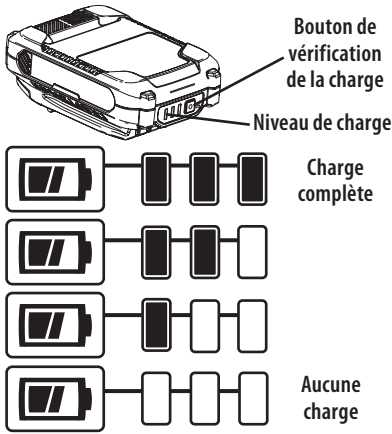


Figure 34

## DÉMARRAGE DU MOTEUR

### ⚠ AVERTISSEMENT

Assurez-vous que vous êtes la seule personne à proximité de la tondeuse lorsque vous démarrez le moteur et pendant que vous utilisez l'appareil. Ne faites jamais fonctionner l'appareil à l'intérieur ou dans un local mal aéré en raison de la présence de monoxyde de carbone, un gaz inodore très dangereux dans les gaz d'échappement. Gardez vos mains, pieds, cheveux et vêtements éloignés de toutes pièces en mouvement.

Consultez la notice d'utilisation du moteur pour les instructions au sujet du démarrage et de l'arrêt du moteur.

## ARRÊT DU MOTEUR

Relâchez la commande de la lame pour arrêter le moteur et la lame.

**NOTE :** Après avoir arrêté le moteur, retirez la clé de démarrage (s'il y en a une) et gardez-la dans un lieu sûr, hors de la portée des enfants.

### ⚠ AVERTISSEMENT

Attendez l'arrêt complet de la lame avant d'effectuer un réglage sur la tondeuse et avant de retirer le sac à herbe.

La lame doit s'arrêter en trois secondes. Si ce n'est pas le cas, contactez un centre de service.

## UTILISATION DE LA TONDEUSE

### ⚠ AVERTISSEMENT

Les objets projetés par la tondeuse peuvent causer de graves blessures aux yeux. Protégez-vous avec des lunettes de protection lorsque vous utilisez la tondeuse et lorsque vous effectuez un réglage ou une réparation.

Débarassez la zone de travail de cailloux, bâtons et fils ainsi que de tout autre objet qui peut endommager la tondeuse ou le moteur. Ces objets peuvent être projetés dans toutes les directions et causer de graves blessures.

### Commande d'entraînement

1. Lorsque le moteur est en marche, serrez la commande d'entraînement contre la poignée supérieure pour faire avancer la tondeuse.
2. Relâchez-la pour arrêter la tondeuse.

### Commande d'entraînement à un levier

1. Lorsque le moteur est en marche, serrez le levier de la commande d'entraînement contre la poignée supérieure pour faire avancer la tondeuse.
2. Relâchez le levier pour faire ralentir ou arrêter la tondeuse.

### Commande d'entraînement à deux leviers

1. Lorsque le moteur est en marche, maintenez la commande de la lame engagée, puis serrez un levier ou les deux leviers de la commande d'entraînement contre la poignée supérieure pour faire avancer la tondeuse (Figure 35).

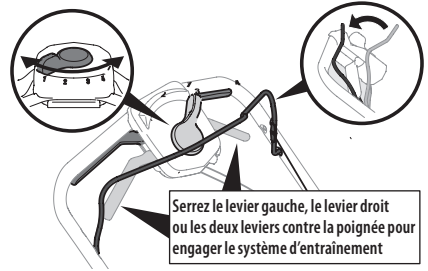


Figure 35

2. Relâchez les deux leviers de la commande d'entraînement pour faire ralentir ou arrêter la tondeuse.
3. Commande de vitesse (le cas échéant) : déplacez la commande de vitesse pour changer la vitesse de déplacement.

**NOTE :** Sélectionnez la première vitesse de déplacement pour tondre la pelouse jusqu'à ce que vous soyez à l'aise avec l'utilisation de la tondeuse.

**IMPORTANT !** Si vous changez la vitesse de déplacement pendant que la tondeuse est arrêtée, il peut être difficile, dans certains cas, de passer à la première vitesse. Il suffit d'engager la commande d'entraînement pour corriger ce problème.

**NOTE :** Votre tondeuse est dotée d'un système d'entraînement de pointe pour une utilisation et un embrayage faciles. Lorsque vous effectuez un virage ou lorsque vous tirez la tondeuse vers l'arrière, vous noterez, dans certains cas, qu'il y a une résistance plus grande que normale dans les roues arrière. Ceci est normal. Pour corriger ce problème, il suffit de faire avancer la tondeuse vers l'avant sans engager la commande d'entraînement avant de tirer la tondeuse vers l'arrière.

## Commande d'entraînement supérieure

1. Une fois le moteur démarré, serrez la commande de la lame contre la commande d'entraînement et poussez la commande d'entraînement vers l'avant pour faire avancer la tondeuse. Plus vous poussez la commande vers l'avant, plus l'appareil avance rapidement (Figure 36).

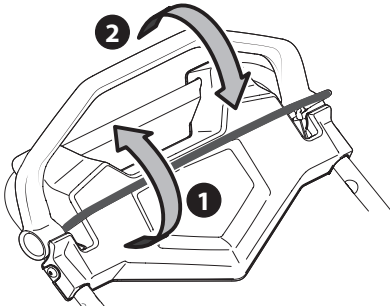


Figure 36

2. Lorsqu'elle est relâchée, la commande d'entraînement revient à la position neutre, la transmission est aussitôt débrayée et le moteur s'arrête.

**NOTE :** Pour faciliter l'utilisation, immobilisez vos poignets et vos coudes lorsque vous tenez les commandes et marchez : l'appareil s'ajustera automatiquement à votre vitesse.

## DÉFLECTEUR D'ÉJECTION LATÉRALE (LE CAS ÉCHÉANT)

Si vous ne voulez pas déchiqeter ni collecter l'herbe coupée, retirez le sac à herbe et assurez-vous que le bouchon de déchiqetage (le cas échéant) est installé. Abaissez le couvercle d'éjection pour couvrir l'ouverture arrière de la tondeuse. Consultez la section Installation du déflecteur d'éjection latérale ou du souffleur latéral (le cas échéant) à la 58.

## DÉCHIQUETAGE (LE CAS ÉCHÉANT)

Pour déchiqeter l'herbe, enlevez le sac à herbe ou le déflecteur d'éjection latérale. Lorsque vous retirez le sac à herbe, assurez-vous que le bouchon de déchiqetage (le cas échéant) est installé et abaissez le couvercle d'éjection pour couvrir l'ouverture arrière de la tondeuse. Lorsque vous retirez le couvercle d'éjection latérale, le couvercle de déchiqetage se ferme. Ne tondez pas l'herbe mouillée. Il n'est pas recommandé de déchiqeter l'herbe si elle mesure plus de quatre pouces. Utilisez plutôt le sac à herbe pour ensacher les débris.

## UTILISATION DU SAC À HERBE (LE CAS ÉCHÉANT)

Le sac vous permet d'ensacher les débris d'herbe coupée lorsque vous tondez la pelouse.

1. Suivez les instructions de la sous-section Sac à herbe (si présent) à la 54 pour installer le sac à herbe. Les débris d'herbe sont recueillis dans le sac pendant que vous tondez. Tondez la pelouse jusqu'à ce que le sac soit rempli.
2. Relâchez la commande de la lame pour arrêter le moteur. Assurez-vous que l'appareil est arrêté.
3. Relevez le couvercle d'éjection arrière et retirez le sac à herbe. Videz le contenu du sac, puis réinstallez le sac à herbe sur la tondeuse.

### ⚠ AVERTISSEMENT

Arrêtez immédiatement le moteur si vous heurtez un objet. Débranchez le fil de la bougie d'allumage, inspectez soigneusement l'appareil et réparez tout dommage avant de redémarrer le moteur. Des vibrations excessives indiquent qu'il y a des problèmes. Faites immédiatement inspecter et réparer l'appareil.

## RANGEMENT EN POSITION VERTICALE (LE CAS ÉCHÉANT)

### ⚠ AVERTISSEMENT

Ne rangez pas les tondeuses qui n'ont pas la mention « rangement vertical » en position verticale, car il peut y avoir des fuites d'essence ou d'huile et le moteur peut être endommagé.

Les tondeuses portant la mention « rangement vertical » sont conçues pour être rangées en position verticale.

Ne les remisez pas à l'extérieur ou dans un endroit humide; gardez-les dans un endroit propre et sec.

## Remisage de la tondeuse

### ⚠ AVERTISSEMENT

Laissez le moteur refroidir avant de nettoyer la tondeuse ou de la ranger.

**IMPORTANT !** Assurez-vous que le niveau de l'essence est sous le niveau recommandé avant de ranger la tondeuse en position verticale. Consultez la notice d'utilisation du moteur.

1. Nettoyez l'extérieur de la tondeuse avec un chiffon sec ou de l'air comprimé et enlevez les débris autour du moteur.
2. Retirez la clé de démarrage (s'il y en a une).

3. Abaissez les deux leviers de réglage pour les déverrouiller (Figure 37).
4. Rabattez le guidon pour ranger la tondeuse (Figure 37). Veillez à ne pas pincer le câble de commande de la lame ou le câble d'entraînement (le cas échéant) lorsque vous abaissez le guidon.
5. Relevez les deux leviers de réglage pour les verrouiller (Figure 37).

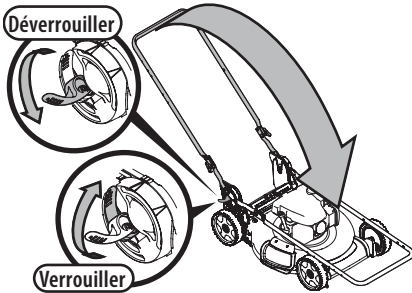


Figure 37

6. Tenez le guidon (a) et relevez la tondeuse pour qu'elle repose sur ses roues arrière et sur les supports du guidon (b) (Figure 38).
7. La lame doit faire face au mur.

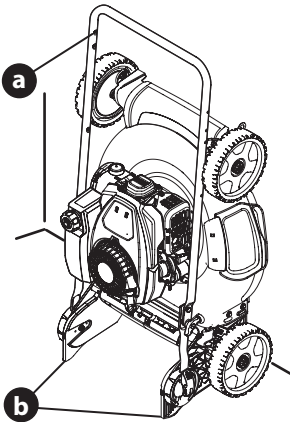


Figure 38

## Remise en service de la tondeuse

### ⚠ AVERTISSEMENT

N'approchez pas les mains ou les pieds près du plateau de coupe lorsque vous déplacez la tondeuse ou lorsque vous dépliez le guidon pour éviter des blessures graves.

Lorsque vous dépliez le guidon, ne pressez pas la commande de la lame contre la partie supérieure du guidon pour éviter un démarrage accidentel et des blessures graves.

1. Tenez la partie supérieure du guidon et placez la tondeuse sur ses quatre roues.
2. Pour déplier le guidon, déverrouillez les deux leviers (voir l'encadré de la Figure 37) et suivez les étapes 5 à 8 de la section Guidon rabattable (rangement vertical) à la 56 du chapitre Mise en place.

## ⚠ AVERTISSEMENT

Avant d'effectuer tout travail d'entretien, désengagez toutes les commandes, arrêtez le moteur et attendez l'arrêt complet des pièces mobiles. Laissez refroidir le moteur. Débranchez le fil de bougie et mettez-le à la masse contre le moteur pour empêcher ce dernier de démarrer.

### RECOMMANDATIONS GÉNÉRALES

- Lors que vous effectuez l'entretien de l'appareil, respectez toujours les consignes de sécurité qui se trouvent dans le manuel de l'utilisateur et sur l'appareil.
- La garantie ne s'applique pas aux pièces qui ont été mal utilisées ou mal entretenues par le propriétaire. Pour bénéficier d'une couverture complète de la garantie, l'utilisateur doit entretenir l'appareil selon les instructions de ce manuel.
- La garantie sera nulle et non avenue si une modification est apportée au régulateur du moteur.
- Vérifiez que la quinquillerie est bien fixée avant chaque utilisation et avant le remisage.

### LUBRIFICATION

#### Commande de la lame

Lubrifiez les points de pivotement de la commande de lame avec de l'huile légère au moins une fois par saison et avant le remisage. Cette commande doit bouger facilement dans les deux directions (Figure 39).

#### Roues

Lubrifiez tous les essieux et les moyeux de roue avec de l'huile légère au moins une fois par saison et avant de remettre l'appareil (Figure 39).

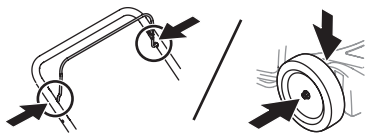


Figure 39

### ENTRETIEN DU MOTEUR

Une fois par saison, vérifiez que le boulon de montage du moteur est serré à un couple de 39,6 N m (29,2 pi-lb) au minimum et de 56,3 N m (41,7 pi-lb) au maximum.

Consultez la notice d'utilisation du moteur fournie pour avoir plus de détails concernant l'entretien et le remisage du moteur.

Si le moteur ne démarre pas, tourne irrégulièrement à plein régime ou au ralenti, a des ratés occasionnels ou surchauffe, consultez la notice d'utilisation du moteur.

**IMPORTANT!** Vérifiez le niveau d'huile à moteur avant chaque utilisation. Consultez la notice d'utilisation du moteur.

#### Nettoyage du moteur

- Avant chaque utilisation, nettoyez l'herbe et les débris accumulés sur le moteur. Nettoyez la tringlerie, les ressorts et les commandes. Nettoyez les débris inflammables des surfaces autour du silencieux.

- Un moteur propre est bien aéré.
- Les composants du moteur devraient être nettoyés régulièrement pour éviter que le moteur ne surchauffe et que les débris ne brûlent.

## ⚠ ATTENTION

N'utilisez pas d'eau pour nettoyer les composants du moteur car de l'eau risquerait de se retrouver dans les conduites d'essence. Utilisez une brosse ou un chiffon.

### ENTRETIEN DE LA TONDEUSE

#### Système de nettoyage du plateau (le cas échéant)

Le plateau de coupe de votre tondeuse peut être équipé d'un système de nettoyage. Utilisez ce système de nettoyage pour enlever les débris d'herbe et éviter l'accumulation de produits chimiques corrosifs. Effectuez les étapes suivantes APRÈS CHAQUE UTILISATION :

1. Placez la tondeuse sur une surface plane et dégagée à proximité de votre tuyau d'arrosage.
2. Enlevez l'embout du système de nettoyage installé sur le plateau et installez-le sur l'extrémité du tuyau d'arrosage.
3. Branchez le tuyau d'arrosage et l'embout au gicleur sur le plateau de coupe (Figure 40).
4. Ouvrez le robinet d'eau.
5. Démarrez le moteur selon les instructions dans la notice d'utilisation du moteur.
6. Faites fonctionner le moteur pendant au moins deux minutes afin que le dessous du plateau de coupe soit bien nettoyé.
7. Relâchez la commande de la lame pour arrêter le moteur et la lame.
8. Fermez le robinet et retirez l'embout du gicleur sur la surface du plateau de coupe.
9. Redémarrez le moteur après avoir nettoyé le plateau. Faites fonctionner le moteur pendant au moins deux minutes afin que le dessous du plateau soit bien séché.

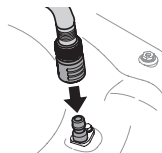


Figure 40

## Nettoyage du plateau de coupe

Au moins une fois par saison et avant le remisage, nettoyez le dessous du plateau de coupe pour éviter l'accumulation de débris.

1. Faites fonctionner le moteur jusqu'à ce que le réservoir d'essence soit vide. Attention : ne tentez pas de vider le réservoir d'une autre façon. Débranchez le fil de la bougie. Consultez la notice d'utilisation du moteur.
2. Inclinez la tondeuse sur le côté où se trouve le silencieux en prenant soin de garder le filtre à air et le carburateur orientés vers le haut. Tenez bien la tondeuse.
3. Grattez et nettoyez le dessous du plateau de coupe à l'aide d'un outil approprié. Ne nettoyez pas la tondeuse avec de l'eau.

**IMPORTANT!** Ne nettoyez pas votre tondeuse avec un d'arrosage ou à la laveuruse à pression, car cela peut endommager les roulements ou le moteur. Le nettoyage à l'eau réduit la durée de vie et la performance de l'appareil.

4. Remplacez la tondeuse sur ses roues (soit à la position verticale).

## ENTRETIEN DE LA LAME

### ⚠ AVERTISSEMENT

Attendez l'arrêt complet de la lame avant d'effectuer un réglage sur la tondeuse et avant de retirer le sac à herbe.

La lame doit s'arrêter en trois secondes. Si ce n'est pas le cas, contactez un centre de service.

### ⚠ AVERTISSEMENT

Avant de manipuler une lame, portez des gants épais ou enveloppez la lame avec un chiffon pour protéger vos mains.

Une fois par saison, vérifiez que le boulon de la lame est serré à un couple de 50,8 N m (37,5 pi-lb) au minimum et de 67,8 N m (50 pi-lb) au maximum.

Inspectez régulièrement l'adaptateur de lame afin de vous assurer qu'il n'est pas endommagé, surtout après que la lame a heurté un objet ou si elle vibre excessivement. Remplacez l'adaptateur de lame si nécessaire. Suivez les instructions d'entretien des lames ci-dessous :

1. Fonctionner le moteur jusqu'à ce que le réservoir d'essence soit vide. Attention : ne tentez pas de vider le réservoir d'une autre façon.
2. Débranchez le fil de la bougie. Consultez la notice d'utilisation du moteur.
3. Inclinez la tondeuse sur le côté où se trouve le silencieux en prenant soin de garder le filtre à air et le carburateur orientés vers le haut.
4. Retirez le boulon (a) et le support de la lame (b) qui fixent la lame et l'adaptateur au vilebrequin du moteur (Figure 41).

5. Retirez la lame (c) et l'adaptateur (d) du vilebrequin (Figure 41).
6. Retirez la lame de l'adaptateur pour vérifier son équilibre.
  - a. Faites tenir la lame en équilibre sur un tournevis à tige ronde.
  - b. Affûtez le côté plus lourd jusqu'à ce que la lame soit bien équilibrée.

**NOTE :** Lorsque vous aiguisiez une lame, aiguisiez-la selon l'angle d'affûtage. Aiguisiez chaque tranchant de façon égale pour garder la lame bien équilibrée.

### ⚠ AVERTISSEMENT

Une lame mal équilibrée peut causer des vibrations excessives et entraîner des dommages matériels ou de graves blessures.

7. Lubrifiez le vilebrequin du moteur et la surface interne de l'adaptateur de la lame avec une huile légère. Voir l'encadré de la Figure 41.
  - a. Placez l'adaptateur (d) sur le vilebrequin.
  - b. Assurez-vous d'installer la lame avec le côté marqué « Grass side » (ou qui porte le numéro de pièce) face au sol.
  - c. La lame doit être bien alignée et bien placée sur les brides de l'adaptateur.
8. Placez le support de la lame (b) sur la lame (c). Alignez les encoches du support avec les petits trous sur la lame.
9. Insérez le boulon et serrez-le à un couple de 50,8 N m (37,5 pi-lb) au minimum et de 67,8 N m (50 pi-lb) au maximum.

**NOTE :** Vérifiez régulièrement que le boulon de la lame est serré au couple approprié pour assurer le bon fonctionnement de la tondeuse.

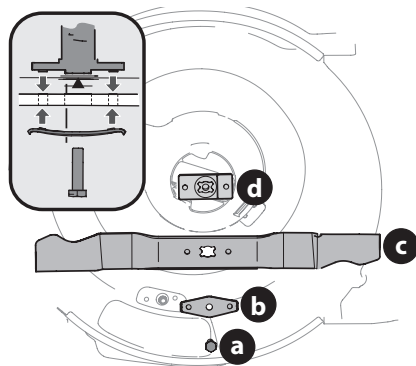


Figure 41

## ENTRETIEN DE LA COURROIE

Si la courroie est usée ou endommagée, la tondeuse peut ne pas avancer. Vérifiez régulièrement l'état de la courroie et de la poulie. Si nécessaire, contactez un centre de service agréé pour faire changer la courroie.

**NOTE :** Certaines pièces doivent être démontées pour remplacer la courroie d'entraînement de la tondeuse. Consultez un centre de service agréé pour faire remplacer la courroie.

## REPLACEMENT DE LA BATTERIE (LE CAS ÉCHÉANT)

### ⚠ AVERTISSEMENT

Les batteries contiennent de l'acide sulfurique, un liquide pouvant causer de graves brûlures. Ne modifiez en aucun cas la batterie et évitez tout risque de court-circuit. Ne la jetez pas au feu, car cela peut provoquer une explosion ou l'émission de substances toxiques.

- Pour retirer la batterie (Figure 42) :
  - Soulevez le loquet du port de recharge (a) et retirez le couvercle (b) du boîtier de la batterie.
  - Débranchez le câble positif et le câble négatif (c).
  - Soulevez la batterie pour la retirer du boîtier.

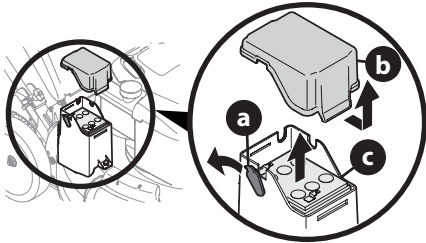


Figure 42

- Pour installer la batterie (Figure 43) :
  - Placez la batterie (c) dans le boîtier.
  - Branchez le câble positif (rouge) à la borne positive (+) (d).
  - Branchez le câble négatif (noir) à la borne négative (-) (e).

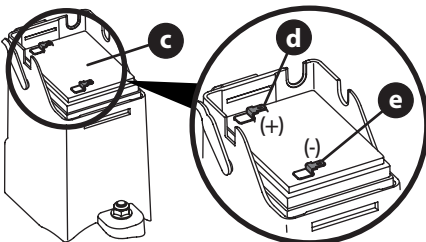


Figure 43

- Remplacez le couvercle du boîtier et abaissez le loquet du port de recharge.

## RECHARGE DE LA BATTERIE (LE CAS ÉCHÉANT)

### ⚠ AVERTISSEMENT

La batterie contient du fluide corrosif et des substances toxiques. Faites très attention en manipulant la batterie et gardez-la hors de la portée des enfants. Ne percez pas, ne démontez pas, n'altérez pas et ne brûlez pas la batterie. Les batteries dégagent des gaz explosifs pendant leur mise en charge et leur décharge. Chargez la batterie dans un endroit bien aéré et gardez-la éloignée de toute source d'inflammation.

Chargez la batterie avant la première utilisation, à la fin de la saison, après une longue période de non-utilisation et au besoin.

Il faut probablement charger la batterie plus souvent si vous arrêtez et démarrez souvent la tondeuse pendant son utilisation (par exemple pour enlever le sac à herbe).

**NOTE :** Le connecteur mâle du chargeur est conçu pour s'adapter au connecteur femelle sur le boîtier de la batterie.

**NOTE :** La batterie doit être complètement chargée avant d'être remise. L'entreposage d'une batterie déchargée pour une période de temps prolongée risque de réduire la durée de vie et la qualité de la batterie. Pour une durée de vie optimale, rechargez la batterie entreposée une fois par mois.

**IMPORTANT !** Ne retirez la batterie du boîtier du démarreur électrique que pour la remplacer.

- Soulevez le loquet du port de recharge (a) et branchez le connecteur mâle du chargeur (b) dans la prise (c) (Figure 44).
- Branchez le chargeur (d) dans une prise électrique standard de 120 volts.

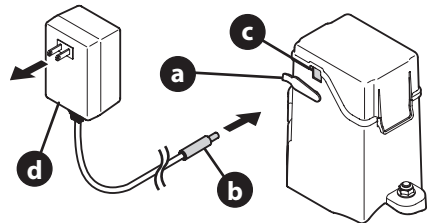


Figure 44

- Chargez la batterie pendant 8 à 10 heures avant la première utilisation. Ne chargez pas la batterie pendant plus de 12 heures.

**IMPORTANT !** Branchez d'abord le connecteur mâle dans la prise, puis le chargeur de batterie dans une prise électrique standard de 120 volts. Lorsque vous rechargez la batterie, branchez-la selon cet ordre.

- Après avoir chargé la batterie, débranchez le chargeur de la prise électrique avant de débrancher le connecteur mâle de la prise.
- Abaissez le loquet du port de recharge.

## RECHARGE DE LA BATTERIE (LE CAS ÉCHÉANT)

**IMPORTANT!** Consultez le manuel d'utilisation du chargeur pour les instructions concernant la recharge, l'entretien et le recyclage de la batterie (Figure 45).

### ⚠ AVERTISSEMENT

La batterie contient du fluide corrosif et des substances toxiques. Faites très attention en la manipulant et gardez-la hors de la portée des enfants. Ne percez pas, ne démontez pas, n'altérez pas et ne brûlez pas la batterie. Elles dégagent des gaz explosifs pendant leur mise en charge et leur décharge. Chargez la batterie dans un endroit bien aéré et gardez-la éloignée de toute source d'inflammation.

### ⚠ AVERTISSEMENT

Lisez attentivement les avertissements, instructions et mises en garde concernant la batterie, le chargeur et le produit. Le non-respect de ces avertissements et instructions pourrait entraîner des chocs électriques, des blessures graves ou des incendies.

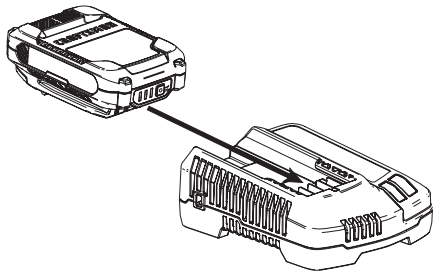


Figure 45

## RECYCLAGE DES BATTERIES

**IMPORTANT!** Ces instructions concernent les tondeuses dotées d'une batterie protégée par un boîtier. Pour les tondeuses dotées d'une batterie amovible, consultez le manuel d'utilisation du chargeur pour les instructions relatives à en disposer.

### Recyclage des batteries endommagées ou usées

### ⚠ AVERTISSEMENT

La batterie contient de l'acide sulfurique, une matière toxique et corrosive.

### ⚠ AVERTISSEMENT

Avant de vous débarrasser des batteries au lithium-ion endommagées ou usées, communiquez avec les autorités locales pour avoir des instructions sur la façon de les recycler.

### ⚠ AVERTISSEMENT

N'utilisez pas de batteries endommagées ou fissurées, même s'il n'y a pas de fuite. Remplacez les batteries endommagées ou usées avec des neuves. **NE RÉPAREZ UNE BATTERIE!** La batterie pourrait exploser ou vous donner un choc électrique qui pourrait vous blesser grièvement.

Pour prévenir les blessures et la pollution de l'environnement :

- N'essayez pas de défaire ou de détruire les composants d'une batterie. N'ouvrez pas ou ne modifiez jamais une batterie, car l'électrolyte qu'elle contient est corrosif et toxique. Ne touchez pas au liquide qui a fui d'une batterie et évitez d'en avoir dans les yeux et dans la bouche.
- Ne jetez pas de batterie aux ordures.
- Ne jetez pas une batterie au feu car elle pourrait exploser.
- Recyclez les batteries car sinon, elles pourraient se retrouver dans des sites d'enfouissements et polluer l'environnement.
- Appliquez du ruban adhésif sur les bornes de la batterie.
- Jetez les batteries en suivant les règlements municipaux et les lois provinciales et fédérales.
- Et faites-le dans un court laps de temps.

## Batteries portant le sceau de recyclage du programme Appel à recycler

### Sceaux de recyclage du programme Appel à recycler :

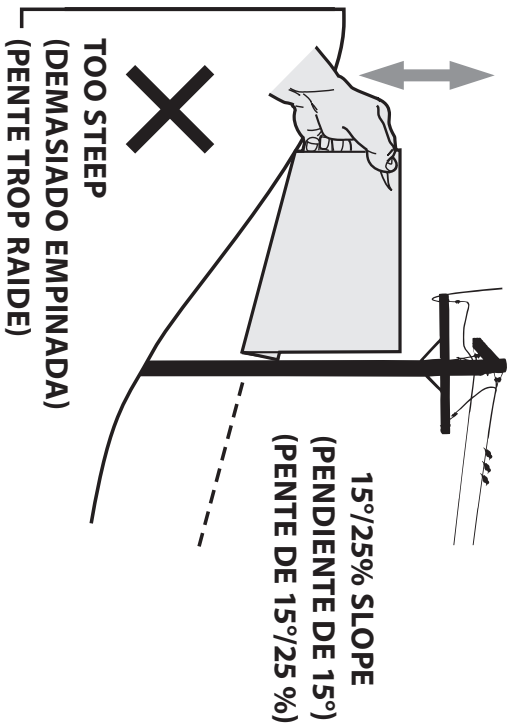
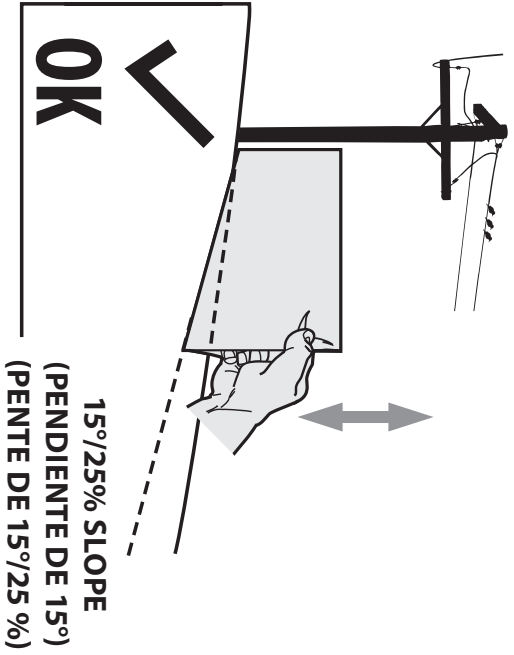
Le programme de collecte d'Appel à recycler aide les détaillants et les fabricants de produits électroniques à respecter les normes américaines et canadiennes, tant au niveau provincial que fédéral, en matière de recyclage. La loi relative à la gestion de piles au mercure (The Battery Act) en est un exemple. Les membres, les partenaires de collecte et les points de dépôt participants au programme achètent les droits d'apposer le sceau de recyclage d'Appel à recycler sur leurs produits et les batteries rechargeables. Lorsque vous voyez le sceau d'Appel à recycler sur un produit ou une batterie, vous pouvez être sûr qu'il sera recyclé de manière écologiquement responsable.



**Call2Recycle :** Depuis 1994, grâce à ce programme plus de 75 millions de kilogrammes de piles rechargeables n'ont pas été envoyés des sites d'enfouissement locaux. Il a également établi un réseau de 30 000 points de dépôt partout aux États-Unis et au Canada. Les partenaires de collecte du programme, soit plus de 200 fabricants de produits électroniques ou de batteries, se sont regroupés pour recycler de façon écologiquement responsable les batteries en fin de vie. Et ce sont ces derniers qui financent le programme qui est géré par Appel à recycler, Inc, un organisme sans but lucratif.

Pour trouver le point de dépôt le plus près, veuillez appeler au **1 800 822 8837**.

# SLOPE GAUGE (INDICADOR DE PENDIENTE) (INCLINOMÈTRE)



15%/25% DASHED LINE  
(LÍNEA DE GUIONES A 15°) (PENDE DE 15°/25 %)