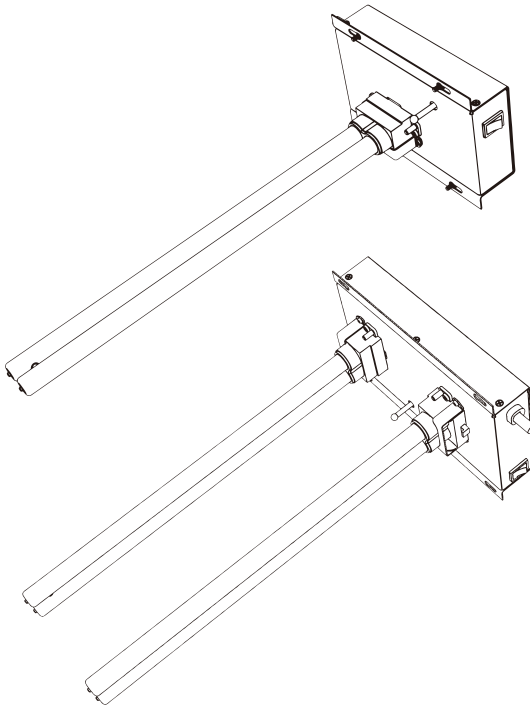


# TURBRO

## UV LIGHT USER MANUAL

Model: UV36PA/UV72PA



Please read the manual carefully before use and keep it for future reference

# Contents

Safety Precautions	01
Specifications	02
Parts List	03
Parts Description	03
Installation Instructions	04
Maintenance	06
Troubleshooting	07
Warranty Information	08

## Safety Precautions

1. DO NOT use this appliance until you have read the safety warnings and operating instructions. Risk of fire, malfunction, property damage, electric shock, serious injury, or even death may result if warnings and instructions are not adhered to. Please consult a licensed electrician or contractor if you need help during the installation.
2. The manufacturer declines all responsibility for personal injury or damage to animals or objects caused by inappropriate use of the appliance according to the warnings for installation, use, and maintenance described in this instruction manual.
3. This appliance is not to be used or have maintenance performed by persons with reduced physical, sensory, or mental capabilities, or lack of experience and knowledge, unless they have been given strict supervision or instruction concerning the use of the appliance by a person responsible for their safety.
4. Keep the appliance out of reach of children and pets.
5. Never expose eyes or skin to UVC light from any source. Looking directly at the UVC light may cause permanent eye damage or blindness.
6. Follow all safety codes, please wear safety glasses and work gloves. Disconnect the power supply during installation, and power on the device after the installation is complete and sealed.
7. Never touch broken lamps or internal contents of the lamp. The lamp contains mercury.
8. In case of accidental exposure to the internal contents of the lamp, wash hands and any other affected skin area with mild detergent. Remove affected clothing immediately. If the skin surface is pierced, seek medical attention immediately.
9. If you touch the glass of the lamp, you should wipe the glass clean with isopropyl alcohol and a lint-free wipe. If the lamp is not cleaned, the film of hand oils causes a reduction in the light intensity.
10. DO NOT alter or modify this appliance in any manner.
11. DO NOT operate the appliance if it malfunctions.
12. This product is designed for INDOOR use only (i.e. attics, crawl spaces, basements, etc.).
13. Designed for a closed duct system. Do not mount near a supply or a return air opening.

14. All duct openings in the direct line of the site of the UV light must be sealed with aluminum tape or equivalent sealing methods.

15. UVC light decomposes plastic materials. Avoid direct exposure of plastic materials to UVC in the installation environment. If unavoidable, shield plastic materials with aluminum foil or metal sheets.

16. Dutiful compliance with regular maintenance is required for safe and effective operation.

17. If the lamp is damaged or replaced, check with your local waste management authority for local disposal or recycling requirements. According to the EPA's Universal Waste Rule, these types of lamps may be disposed of into household waste.

**18. THESE DEVICES ARE NOT INTENDED FOR GENERAL-PURPOSE ILLUMINATION.** They are assigned a Risk Group level based on the intensity and wavelength of the radiant energy they produce. UV radiation can pose a risk of personal injury. Overexposure can result in injury to eyes and bare skin. To reduce the risk of overexposure this equipment must be installed in accordance with the manufacturer's site planning recommendations.

**19. THESE EMMITTER ASSEMBLIES ARE NOT STAND-ALONE DEVICES.** They are intended for use only as part of germicidal systems. Consult the safety instructions of the germicidal system to confirm compatibility.

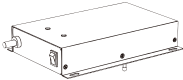

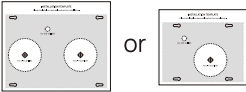
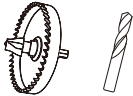
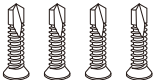
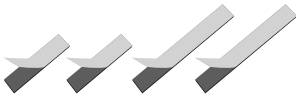
**20. IT IS THE RESPONSIBILITY OF THE INSTALLER TO ENSURE THAT PERSONS WILL NOT BE EXPOSED TO EXCESSIVE UV OR OPTICAL RADIATION DURING EQUIPMENT OPERATION. THIS WILL REQUIRE THE INSTALLER TO CONDUCT AN ASSESSMENT OF ALL SITE AND EQUIPMENT SAFEGUARDS TO ENSURE THE SYSTEM IS OPERATING IN ACCORDANCE WITH THE SYSTEM MANUFACTURER'S INSTRUCTIONS.**

21. When replacing lamps or UV sources, replace them only with the lamps or sources for which the equipment is marked and intended.

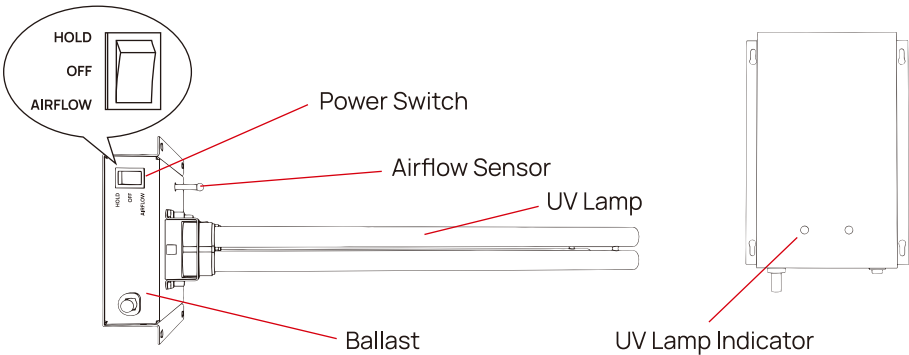
22. The use of accessory equipment not recommended by the manufacturer may cause an unsafe condition.

23. Do not use this equipment for other than intended use.

## Parts List

Parts	Parts Name	Quantity
	Ballast	1
	15.2" UV Lamp	1 (For UV36PA)
		2 (For UV72PA)
	Installation Template	1
	Drill Kit	1 Set
	Mounting Screws (M4 x 19 mm)	4
	Seal Strips	4

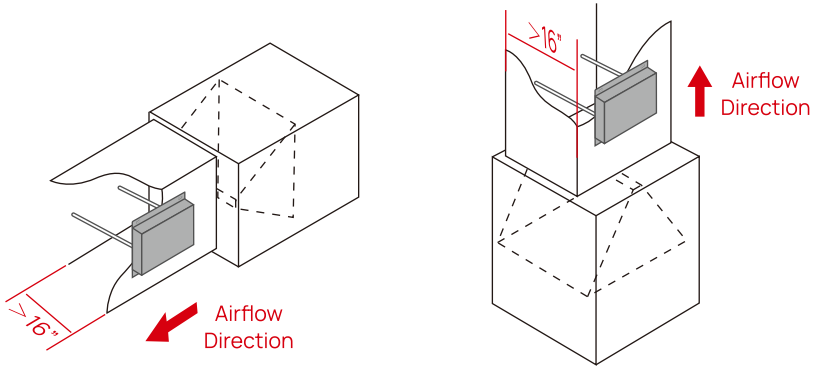
## Parts Description



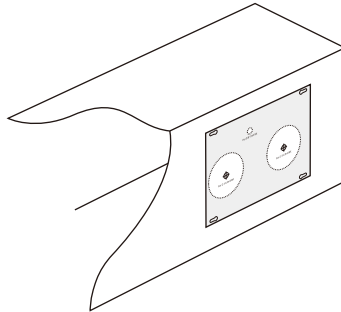
# Installation Instructions

Before installation turn off the system and ensure all electrical connections are off.

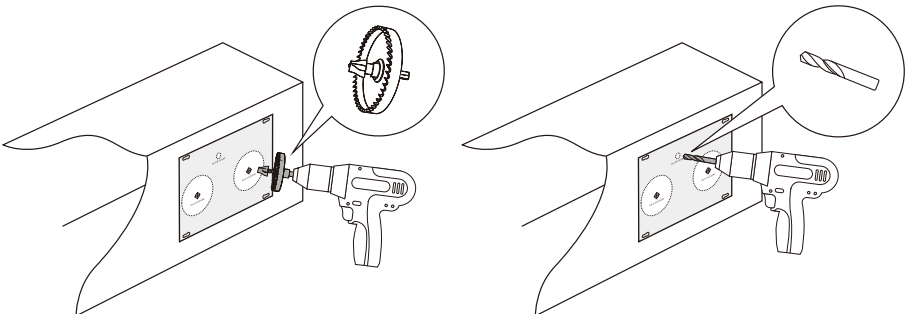
1. Identify suitable location: Ensure the UV lamps will not hit nor interfere with any equipment or ducting and make sure there's enough room for 16" wide.



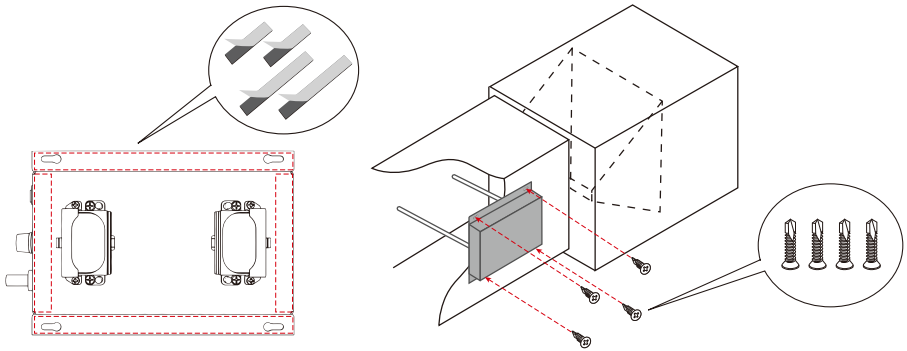
2. After confirming the installation position, affix the installation template to the appropriate installation position.



3. Refer to the following guidelines use the drill kit to cut openings for UV lamps and airflow sensor.



4. Apply air seal strips as needed. Align the lamp and the airflow sensor with the opening and secure it with mounting screws (Avoid handling UV lamps with bare hands).



5. Plug in the power adaptor and connect to the fixture. Select the corresponding mode as needed (the explanation as below). Verify that the UV lamp indicator light is on.

**Note:**

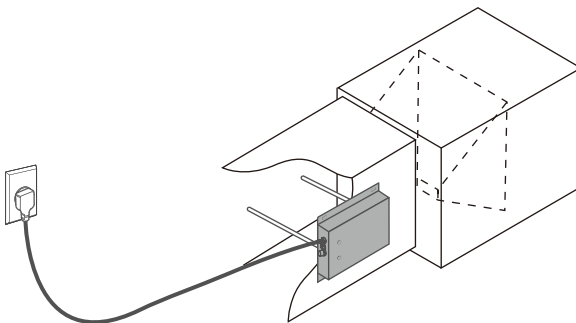
- It is recommended that the system be run in “Hold” mode continuously for at least 24 hours to “jump-start” the sanitizing process. During this time, a unique odor may be present as the UV light is killing mold, mildew, bacteria, and viruses that are present. After 24 hours, set the switch to “Air” mode. The system is now operational and will only turn on when airflow is detected.
- Each time the air mode is activated, the UV lamp will initially operate for about 60 seconds. This state is normal because the system undergoes a preheating process.



**Hold:** The UV lamp remains on continuously.

**OFF:** The UV lamp is off.

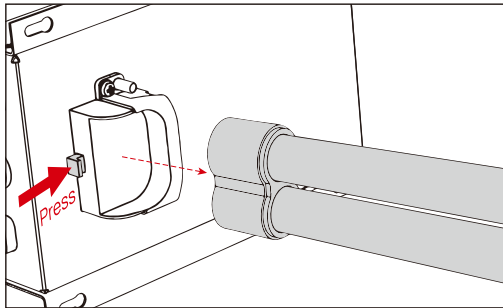
**AIRFLOW:** The UV lamp will automatically turn on/off according to the airflow.



## Maintenance

- The lamp is rated for about 8,000 hours of use under continuous operation. To maintain the lamp's maximum output intensity, replace your UVC lamp every 6 months, depending upon your home environment using the replacement procedure on the following pages. The lamp should operate intermittently for maximum lamp life and light effectiveness.
- We recommend inspecting and cleaning the UVC lamp at least every 3 months depending upon your home environment, the condition of conventional filters, duration of use, and their replacement cycle.
- Unplug the UV light from the outlet and allow UV lamps to cool for at least 15 minutes before commencing inspection and cleaning.
- Please wear disposable, non-absorbent protective gloves prior to the inspection procedure in case of accidental breakage of glass.
- To replace the lamp, refer to the following steps. Replace only with TURBRO UV lamp (Model: ZW36D17W-H386).

1. Hold the lamp while pressing the lock buckle, you can remove the lamp.  
(Please wear safety glasses and work gloves for the operation.)



2. Hold down the buckle and put the new lamp into the base, release the buckle to complete the replacement.

# Troubleshooting

Troubleshoot your problem by using the chart below. If the unit still does not work properly, please contact the TURBRO customer team via [support@turbro.com](mailto:support@turbro.com).

Issue	Possible Cause	Solution
UVC lamp does not light up.	The power switch is not turned on.	Turn on the power.
	The socket has no power output.	Try to repair or replace the socket.
	Poor contact of lamp base.	Disconnect the power supply, remove the UVC lamp, check whether the base is intact, and reinstall the lamp correctly.
	The fuse has blown.	Remove the fuse holder and check. If blown, replace it with a 250V/2A fuse.
	The UVC lamp is broken.	Replace the UVC lamp.
Broken Lamps	External force or life limit.	If the lamp is damaged or replaced, check with your local waste management authority for local disposal or recycling requirements. According to the EPA's Universal Waste Rule, these types of lamps may be disposed of into household waste.

## Warranty Information

This 1-year limited warranty is extended to the original purchaser of this product and warrants against any defect in materials and workmanship under normal use and conditions, for a period of one year from the date of the original purchase, subject to the conditions and limitations outlined below.

This warranty is non-transferable to any subsequent owner of the product regardless of whether the product is transferred during the specified term of the warranty.

THIS LIMITED WARRANTY IS GIVEN TO THE PURCHASER IN LIEU OF ALL OTHER WARRANTIES, EXPRESSED OR IMPLIED, INCLUDING BUT NOT LIMITED TO THE WARRANTIES OF MERCHANTABILITY OF FITNESS FOR A PARTICULAR PURPOSE.

### What is covered?

- TURBRO's warranty extends only to products purchased from authorized sellers that are subject to TURBRO's quality controls and have agreed to follow its quality controls.
- This warranty is limited to the repair or replacement of part(s) proved to be defective in material or workmanship after said defect is confirmed by the manufacturer's inspection.
- The manufacturer may, at its discretion, fully discharge all obligations with respect to this warranty by refunding the wholesale price of the defective part(s).

UPON THE EXPIRATION OF THIS WARRANTY, ALL SUCH LIABILITY WILL TERMINATE. NO OTHER WARRANTIES ARE EXPRESSED OR IMPLIED ANYMORE.

Some states do not allow limitations on how long an implied warranty lasts, so the above limitations may not apply to you.

### What is not covered?

- Damage or losses caused by any alterations or unauthorized repair made to the product by the owner.
- Damage or losses caused by accident, neglectful operation, misuse, abuse, or use contrary to the user manual and safety guidelines.
- Damage or losses occurring during commercial use, rental use, or any use for which the product is not intended.
- Damage or losses caused by improper or inadequate maintenance.

- Failure to perform general maintenance (including cleaning).
- Use of non-standard parts or accessories.
- Natural depreciation and normal wear and tear.

TURBRO SHALL NOT BE LIABLE FOR ANY INCIDENTAL OR CONSEQUENTIAL DAMAGES FOR BREACH OF ANY EXPRESS OR IMPLIED WARRANTY ON THIS PRODUCT, EXCEPT TO THE EXTENT PROHIBITED BY APPLICABLE LAW.

Some states do not allow the exclusion or limitation of incidental or consequential damages so the above limitation or exclusion may not apply to you.

## How to request warranty services?

To obtain the benefit of this warranty please leave a message online ([www.turbro.com/contact](http://www.turbro.com/contact)), or send an email to [support@turbro.com](mailto:support@turbro.com).

To express our gratitude to you for choosing us, we are giving you a 1-year warranty extension to the original 1-year manufacturer's limited warranty, extending the coverage period to two years in total.

- Complete the registration of your new product at <https://www.turbro.com/warranty> within 90 days from the date of package delivery (inclusive of the 90th day).
- Any registration beyond this stipulated period will be deemed invalid.
- The ultimate interpretation of the terms and conditions related to the extended warranty service rests solely with TURBRO.

If you discover that your product is defective within the specified warranty period, please contact our Customer Support via [support@turbro.com](mailto:support@turbro.com).

- Order ID and invoice, or bill of sale should be provided. Such payment records must be kept to verify the purchase date and establish a warranty period.
- Model and issue description should be provided in detail, preferably with pictures and videos.
- DO NOT dispose of your product before contacting us.
- DO NOT return the product unless instructed by our customer service.
- The original carton should be kept in case of warranty return of the unit.

## What will TURBRO do?

- Replace certain parts.
- Replace the item.
- Refund the item under certain circumstances.

In no event shall liability exceed the purchase price paid by the original purchaser of the product.

Any instructions or warranty included in this manual may be subject to change without notice. For the most up-to-date instructions and warranty information, please contact us via [support@turbro.com](mailto:support@turbro.com).

EPA Est. NO.:99066-CHN-1

# TURBRO



© Katmai Technology Limited

🌐 [support@turbro.com](mailto:support@turbro.com)

✉ [www.turbro.com](http://www.turbro.com)

☎ (323) 438-3334

V20250630