



Rangehood

Operation, Care and Installation Leaflet



Model No.

27300 Beefeater wall canopy rangehood

Safety Precautions

- Never leave BBQ or frying pans unattended during use as overheated fat and oil may catch fire.
- Before carrying out any kind of maintenance or cleaning, disconnect the hood from the mains supply.
- The appliance is not intended for use by young children or infirm persons without supervision.
- Young children should be supervised to ensure that they do not play with the appliance.
- There shall be adequate ventilation of the room when the rangehood is used at the same time as appliances burning gas or other fuels.
- The appliance is fitted with removable filters. Ensure the filters are removed and thoroughly cleaned at least once every two months in accordance with these instructions.
- There is a fire risk if cleaning is not carried out in accordance with the instructions.
- Do not flambé under the rangehood.
- Local regulations concerning the discharge of air must be fulfilled.
- When using a gas cooktop or BBQ, never leave the burners uncovered while the hood is in use. Switch off the gas before removing the pan. This not only saves energy but avoids a potentially dangerous concentration of heat.
- Always ensure the rangehood is kept at the correct fan speed to prevent flames licking around the bottom of pans.

Basic Operation

Your rangehood has buttons on the front of the rangehood for easy operation.

To Turn on the Light

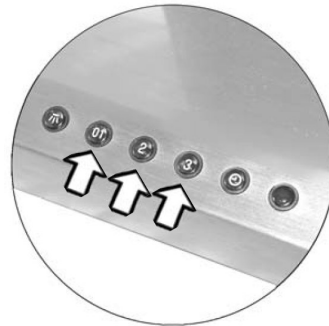
Turn the light on and off using the button marked with a light symbol.



To Operate the Extraction Fan

Select on of three speeds from the numbered buttons.

01. Off/Low setting. this button is combined OFF with the low speed mode. It turns Low speed, low noise On, and ALL modes Off. Use for baking.
2. Medium setting. Use for normal cooking.
3. High speed, higher noise. Used for significant vapours with strong odours.
4. higher speed setting for the most demanding requirements.



To Operate the Timer

Press the timer button while the hood is in operation to have the rangehood automatically switch itself off after 10 minutes.



Basic Maintenance

Cleaning the Outer Surfaces

Use a damp cloth and mild liquid household cleaner.

Do not use abrasive cleaners or scourers as these will damage the surface. Commercial stainless steel cleaning products are available for more difficult staining.

Cleaning the Metal Filters

The metal filters in this rangehood are dishwasher safe. You should clean the metal filters at least every two months for normal usage. More frequent cleaning may be necessary for higher levels of usage.

BEFORE YOU START: UNPLUG THE APPLIANCE.

Filters are removed by pushing them, using the knob, towards the rear, and lowering them out of the channel which holds them in the front, and then, once out, pulling towards you, until the rear side comes out as well.



Wash the filters in a dishwasher, or by hand using household dishwashing liquid, soapy warm water and a soft brush.

Allow filters to dry thoroughly before replacing them.

When replacing, reverse the removal instructions above, and ensure the filters are put back into their correct position securely.

Occasional Maintenance

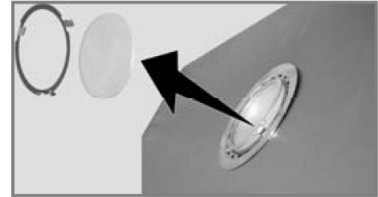
Changing the Light Bulb

BEFORE YOU START: UNPLUG THE APPLIANCE

Old bulb must be replaced with an identical 12v, 20W (G4 Type) Halogen bulb.

To replace a bulb, follow these steps:

- Using a soft sharp object such as a tooth pick, remove the metal ring around the light-bulb housing. It is inserted with 3 legs into the housing, and needs to be pulled carefully.
- With the metal ring, remove the glass disc covering the bulb.
- The globe can now be accessed and replaced.
- Remove the bulb from the side socket, by pulling towards the centre.
- Replace bulb by ensuring the two pins locate into the sockets in the rangehood and reverse all above steps to re-assemble ensuring the three lugs on the ring sit properly into the sockets.



Placing/Replacing of Carbon Filters

This section applies only if your rangehood has been installed to recirculate vapours back into the room.

Beefeater has available optional charcoal filters to further purge cooking oils and odours from the exhaust. These filters need to be replaced approximately every 2 months for normal usage. Contact your retailer directly for replacement filters.

The Carbon filters are to be placed over the metal filter. To put them in place, simply lower the metal filters, and place the carbon filter freely on top, then put the metal filter back in place.

Carbon filters contain active material and cannot be washed. Once they are spent, they must be discarded of. Failure to do so can create a fire hazard in extreme cases.

Installation Instructions

Safety Precautions

This rangehood has been designed to be wall-mounted above a BBQ or cooking hob. It can work either by ducting system (discharging exhaust to the outside air) or by recirculation (where exhaust vapours are returned to the room). Before starting the installation, consideration should be given to how the installation is to be carried out, ensuring the following:

- Adequate space and clearances above the BBQ or cooktop.
- Position of flueing.
- Availability of earthed power.
- The mechanical strength of supporting structures.



The installation work must be undertaken by a qualified and competent person in conformity to the rules concerning the evacuation of contaminated air. The manufacturer does not accept any liability for any damage or injury caused by improper installation.

Exhaust air must not be discharged into a flue which is used for exhausting fumes from appliances burning gas or other fuels. This does not apply to rangehoods installed to only discharge the air back into the room.

Before connecting to the mains supply ensure that the mains voltage corresponds with the voltage on the rangehood's rating plate.

For cooker hoods featuring an earth wire, make sure the electric plant of your house is correctly earthed.

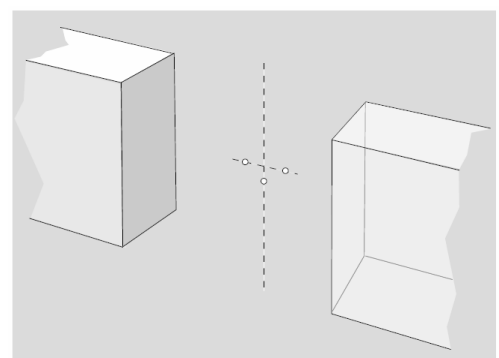
When installed, the hood must be positioned at least 65cm above the hotplate or BBQ cooking surface.

Mounting the Rangehood

Mark Off and Drill Holes

Use the template supplied to locate three screw holes for the mounting bracket. The screw holes must be perfectly horizontal, and the centre hole must be aligned with the proposed centre of the rangehood.

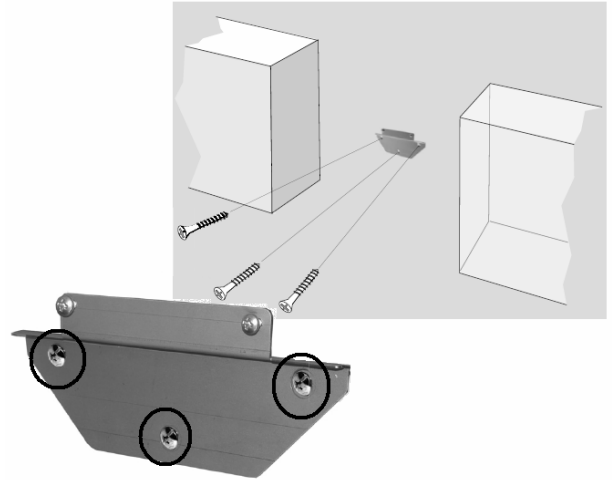
Drill all three holes, and insert wall plugs.



Screw the Mounting Bracket to the Wall

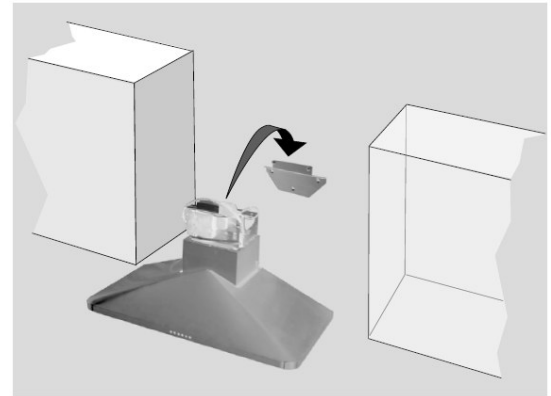
Screw the wall bracket to the three holes drilled in the previous step.

The top two holes of the bracket are to lock the rangehood into position once it is in place.



Hook the Rangehood onto the Wall Bracket

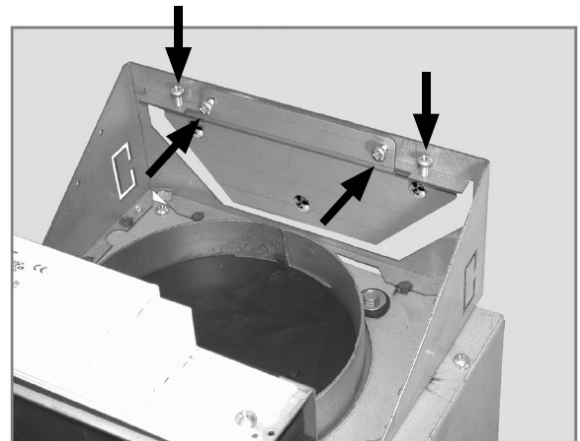
The rangehood should sit squarely onto the wall bracket.



Make Fine Adjustments and Lock the Rangehood into Position

Use the vertical screws on the rangehood to make fine adjustments to the rangehood to ensure that the rangehood is perfectly horizontal.

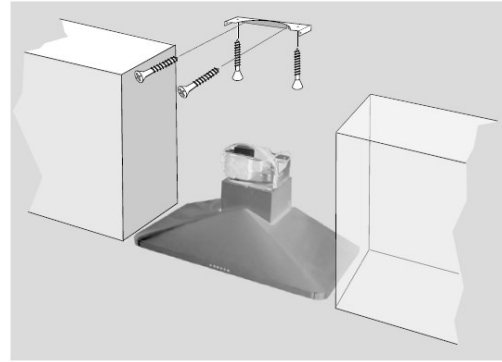
Screw the two horizontal screws in the wall bracket all the way in to secure the rangehood and ensure it cannot be accidentally dislodged.



Installing the Vapour Path

Screw Top Bracket to Ceiling or Wall

Using the screws supplied, attach the Top Bracket to the wall and/or ceiling. Ensure the centre line of the bracket coincides with the centre line of the rangehood.

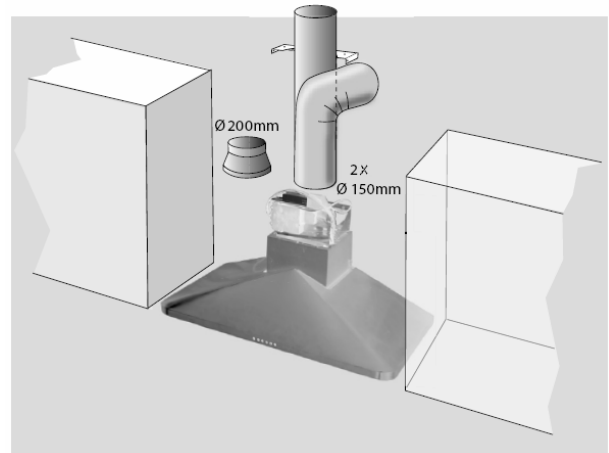


Ducted Installation

Beefeater always recommends installing the rangehood in a fully ducted configuration to exhaust BBQ or Cooktop vapour to the outside.

First ensure there are no carbon filters inside the unit. They are not needed for ducted installations.

Cut a hole of the appropriate diameter in the ceiling or wall, ensuring the centre line of the hole coincides exactly with the centre line of the rangehood exit hole.



Connect the air outlet of the rangehood to the outside air outlet using flexible or rigid ducting and suitable hose pipes (not provided). 2x150mm diameter piping can be connected directly, or 200mm diameter piping can be connected using the metal adaptor provided.

Minimise the number of bends and elbows to maximise the efficiency of the appliance.

Recirculated Installation

Where it is not possible to duct the exhaust fumes to the outside air, the unit can be installed to redirect the filtered vapours back into the room. For this purpose you will need a recirculation adaptor kit containing a diverter and necessary fasteners.

The diverter needs to be situated near the ceiling so that exhaust vapours are directed through the vents in the upper length of decorative chimney. A length of rigid ducting will be required here.

Beefeater recommends using activated carbon filters for all recirculated rangehood installations.

Electrical Connection

The rangehood is equipped with a cord and plug, and can be connected to a nearby power socket. The power socket must be adequately earthed.

All preparation electrical work **must** be done by a licensed electrician.

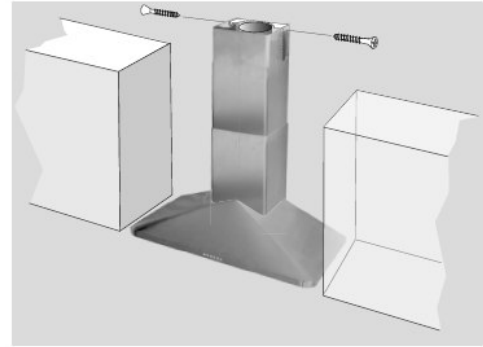
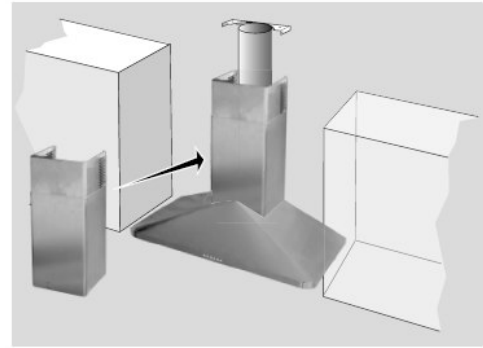
Installing the Decorative Chimney

Install Decorative Chimney

For units requiring two lengths of decorative chimney, place the upper length (with the vents uppermost) inside the lower length.

Position the chimney length(s) onto the rangehood, ensuring the chimney lengths fit neatly into place.

Extend the top length till it reaches the ceiling, and secure to the Top Bracket.



Finishing Off

Replace Grease Filters

You will need to ensure the filters are properly in place before finalising and testing installation

Carbon Filters

Beefeater have activated charcoal filters available to further clean the cooking vapours before being recirculated back into the room.

If these are required, you may order them directly from Beefeater.

For instructions on fitting the filters see page 4.

After Installation completed

Check the following

- All filters are put back in place,
- The overhead lights work as expected. If not, replace with G4 20W bulbs.
- Check that motor, fan and speed controls all operate correctly. If not, check power.
- Check all screws connections are firm and the unit is secured into the wall.

Woodland Home Products
3-5 Birmingham Ave, Chester Hill NSW 2162
Ph 1300 305 366
www.beefeaterbbq.com
www.sga.com.au