

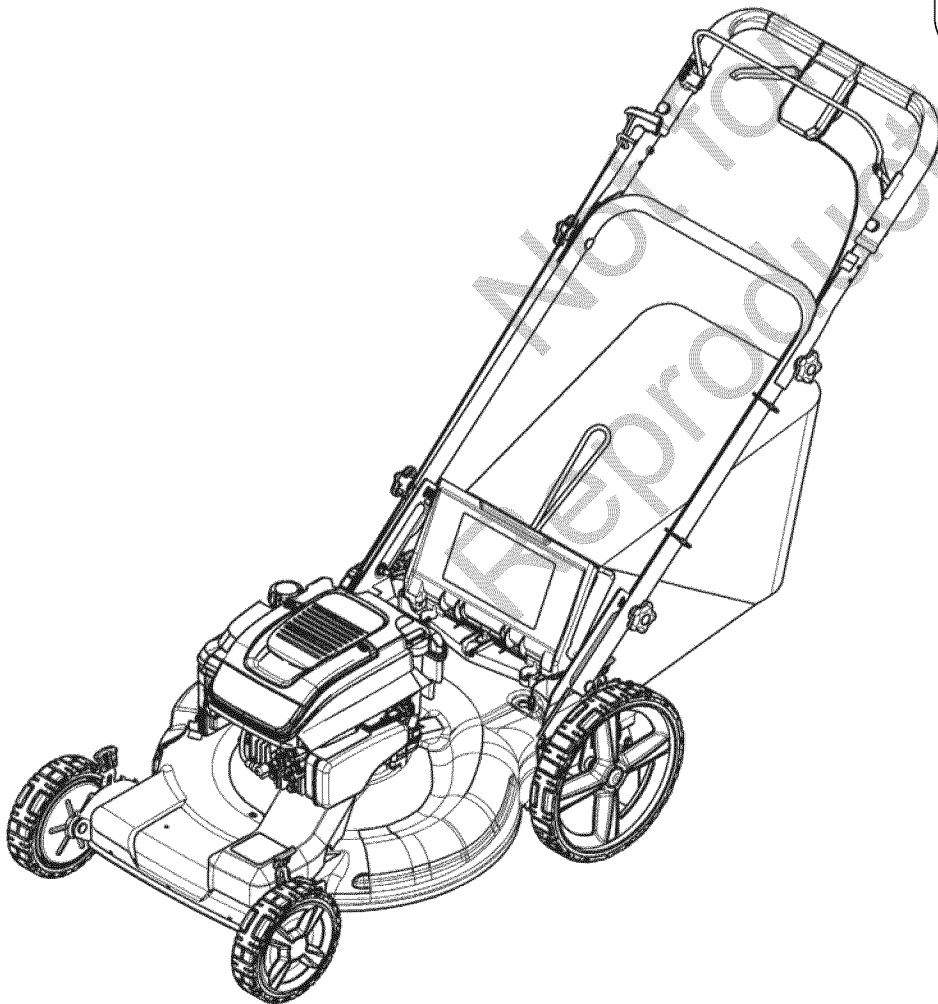
Operator's Manual

SNAPPER®

22" Self-Propelled Walk Behind Mower

Model No. Description

7800709	SPV2270HW
7800755	NSPV2270HW
7800831	SPV22725HW



en

es

fr

7104299
Rev. A

Thank You for purchasing this quality-built Snapper product. We're pleased that you placed your confidence in the Snapper brand. When operated and maintained according to the instructions in this manual, your Snapper product will provide many years of dependable service.

This manual contains safety information to make you aware of the hazards and risks associated with the machine and how to avoid them. This machine is designed and intended only for finish cutting of established lawns and is not intended for any other purpose. It is important that you read and understand these instructions thoroughly before attempting to start or operate this equipment. **Save these original instructions for future reference.**

Complete the following information on your Snapper purchase.

Date of Purchase _____

Retailer _____

Retailer's Phone Number _____

Equipment

Model Number _____

Serial Number _____

Engine



Model _____ Type _____ Code _____

2010/01/15 10:10 AM





Table of Contents

Operator Safety	4
Assembly	8
Unpacking	8
Handle	8
Handle Height	9
Grass Bag	10
Side Discharge Deflector	12
Mulching Tips	13
How to Prepare the Engine	13
Final Preparation	13
Operation	14
Engine Stop Lever	14
Wheel Drive System	14
Stopping the Engine	14
Starting the Engine	15
Rules for Safe and Effective Operation	15
Maintenance	16
Maintenance Chart	16
Engine Maintenance	17
Engine Tipping	17
Lubrication	17
Adjusting the Height of Cut	17
Adjusting the Drive Cable	18
Blade Service	19
Removing the Blade	19
Sharpening the Blade	19
Checking the Level of Cut	19
Cleaning the Mower Housing	20
Preparing the Mower for Storage	22
Troubleshooting	23
Warranty	24
Slope Guide	25

 **WARNING** 

Battery posts, terminals and related accessories contain lead and lead compounds, chemicals known to the State of California to cause cancer and birth defects or other reproductive harm. Wash hands after handling.

 **WARNING** 

Engine exhaust, some of its constituents, and certain vehicle components contain or emit chemicals known to the State of California to cause cancer or other reproductive harm.



Operator Safety



Read the Manual

The operator's manual contains important safety information you need to be aware of BEFORE you operate your unit as well as DURING operation.

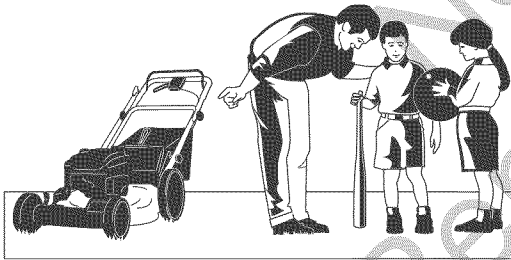
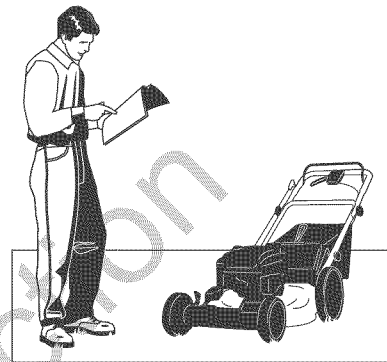
Safe operating techniques, an explanation of the product's features and controls, and maintenance information is included to help you get the most out of your equipment investment.

Be sure to completely read the Safety Rules and Information found on the following pages. Also completely read the Operation section.

Operating Safety

Power equipment is only as safe as the operator. If it is misused, or not properly maintained, it can be dangerous! Remember, you are responsible for your safety and that of those around you.

Use common sense, and think through what you are doing. If you are not sure that the task you are about to perform can be safely done with the equipment you have chosen, ask a professional: contact your local authorized dealer.



Children

Tragic accidents can occur with children. Do not allow them anywhere near the area of operation. Children are often attracted to the unit and mowing activity. Never assume that children will remain where you last saw them. If there is a risk that children may enter the area where you are mowing, have another responsible adult watch them.

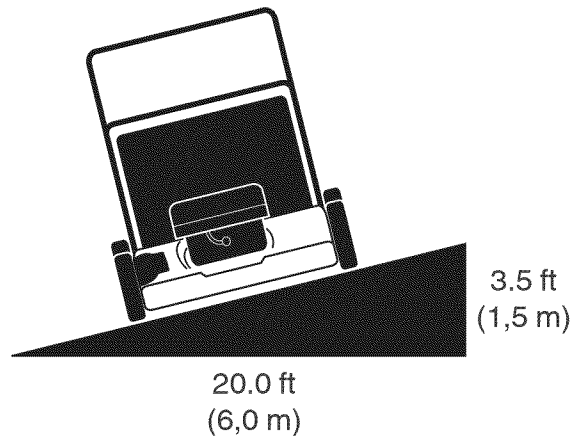
Slope Operation

You could be seriously injured or even killed if you use this unit on too steep an incline. Using the unit on a slope that is too steep or where you don't have adequate footing or traction can cause you to lose control or slip and fall.

You should not operate on inclines with a slope greater than 10 degrees, which is a 3.5 ft (1,5 m) rise over 20.0 ft (6,0 m). Always mow across slopes, never up and down.

Also note that the surface you are mowing can greatly impact control. Wet grass or leaves can seriously affect your footing and traction on a slope.

If you feel unsure about operating the unit on an incline, don't do it. It's not worth the risk.



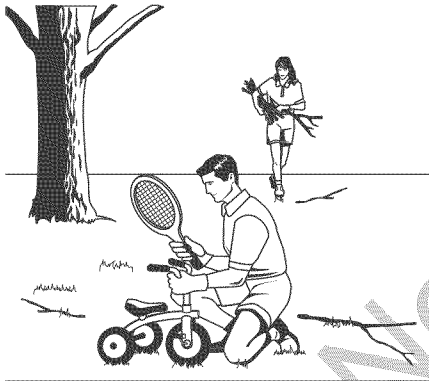
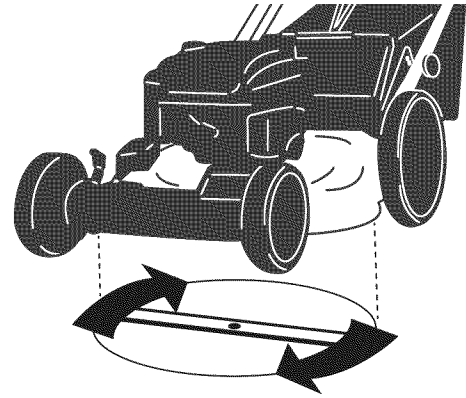
Operator Safety

Moving Parts

This equipment has moving parts that can injure you or someone else. However, if you stand behind the handle properly and follow all the rules in this book, the unit is safe to operate.

The mower deck has a spinning mower blade that can amputate hands and feet. Do not allow anyone near the equipment while it is running!

To help you, the operator, use this equipment safely, it is equipped with an operator present safety system. Do NOT attempt to alter or bypass the system. See your dealer immediately if the system does not pass all the safety interlock system tests found in this manual.



Thrown Objects

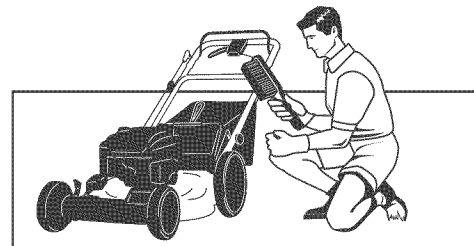
This unit has a spinning mower blade. This blade can pick up and throw debris that could seriously injure a bystander. Be sure to clean up the area to be mowed BEFORE you start mowing.

Do not operate this unit without the entire grass catcher or discharge guard (deflector) in place.

Also, do not allow anyone in the area while the unit is running! If someone does enter the area, shut the unit off immediately until they leave.

Debris Accumulation

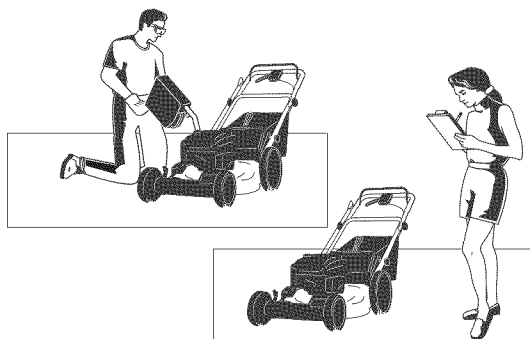
Accumulation of grass and debris can result in a fire. Be sure to clean any accumulation of grass and debris with a brush or compressed air, before and after operation.



Fuel and Maintenance

Gasoline is extremely flammable. Its vapors are also extremely flammable and can travel to distant ignition sources. Gasoline must only be used as a fuel, not as a solvent or cleaner. It should never be stored any place where its vapors can build up or travel to an ignition source like a pilot light. Fuel belongs in an approved, plastic, sealed gas can, or in the tractor fuel tank with the cap securely closed. Spilled fuel needs to be cleaned up immediately.

Proper maintenance is critical to the safety and performance of your unit. Be sure to perform the maintenance procedures listed in this manual, especially periodically testing the safety system.



Operator Safety



WARNING: This powerful cutting machine is capable of amputating hands and feet and can throw objects that can cause injury and damage! Failure to comply with the following SAFETY instructions could result in serious injury or death to the operator or other persons. The owner of the machine must understand these instructions and must allow only persons who understand these instructions to operate machine. Each person operating the machine must be of sound mind and body and must not be under the influence of any substance, which might impair vision, dexterity or judgment. If you have any questions pertaining to your machine which your dealer cannot answer to your satisfaction, contact Customer Service (1-800-317-7833 or www.snapper.com).

Protection for Children

Tragic accidents can occur if the operator is not alert to the presence of children. Children are often attracted to the machine and the mowing activity. Never assume that children will remain where you last saw them.

1. KEEP children out of the mowing area and under the watchful care of a responsible adult other than the operator.
2. DO NOT allow children in yard when machine is operated and turn machine OFF if anyone enters the area.
3. DO NOT allow pre-teenage children to operate machine.
4. ALLOW only responsible adults & teenagers with mature judgment under close adult supervision to operate machine.
5. DO NOT pull mower backwards unless absolutely necessary. LOOK and SEE behind and down for children, pets and hazards before and while backing.
6. USE EXTRA CARE when approaching blind corners, shrubs, trees, or other objects that may obscure vision.

Slope Operation

1. Slopes are a major factor related to slip and fall accidents, which can result in severe injury. All slopes require extra caution. If you feel uneasy on a slope, DO NOT mow it.
2. Mow across slopes, never up-and-down. Exercise extreme CAUTION when changing directions on slopes. DO NOT mow steep slopes or other areas where stability or traction is in doubt. Refer to the Slope Guide at the end of this manual.
3. Use extra care with grass catchers or other attachments; these affect the handling and the stability of the machine.

Preparation

1. Read, understand, and follow instructions and warnings in this manual and on the mower, engine and attachments. Know the controls and the proper use of the mower before starting.
2. Only mature, responsible persons shall operate the machine and only after proper instruction.
3. Data indicates that operators age 60 and above, are involved in a large percentage of mower-related injuries. These operators should evaluate their ability to operate the mower safely enough to protect themselves and others from serious injury.

Preparation

(Continued From Previous Column)

4. Handle fuel with extra care. Fuels are flammable and vapors are explosive. Use only an approved fuel container. DO NOT remove fuel cap or add fuel with engine running. Add fuel outdoors only with engine stopped and cool. Clean spilled fuel and oil from machine. DO NOT smoke.
5. Check the area to be mowed and remove all objects such as toys, wire, rocks, limbs and other objects that could cause injury if thrown by blade or interfere with mowing. Also note the location of holes, stumps, and other possible hazards.
6. Keep people and pets out of the mowing area. Immediately, STOP Blade, Stop engine and Stop mower if anyone enters the area.
7. Check shields, deflectors, switches, blade controls and other safety devices frequently for proper operation and location.
8. Make sure all safety decals are clearly legible. Replace if damaged.
9. Protect yourself when mowing and wear safety glasses, a dust mask, long pants, and substantial footwear. DO NOT mow barefooted or with sandals.
10. Know how to STOP blade and engine quickly in preparation for emergencies.
11. Use extra care when loading or unloading the machine into a trailer or truck.
12. Check grass catcher components frequently for signs of wear or deterioration and replace as needed to prevent injury from thrown objects going through weak or torn spots.

Safe Handling of Gasoline

To avoid personal injury or property damage, use extreme care in handling gasoline. Gasoline is extremely flammable and the vapors are explosive.

1. Extinguish all cigarettes, cigars, pipes and other sources of ignition.
2. Use only an approved fuel container.
3. DO NOT remove fuel cap or add fuel with the engine running. Allow the engine to cool before refueling.
4. DO NOT refuel the machine indoors.
5. DO NOT store the machine or fuel container inside where there is an open flame, spark or pilot light such as on a water heater or other appliances.

Safe Handling of Gasoline (Continued From Previous Page)

6. DO NOT fill fuel containers inside a vehicle or on a truck or trailer bed with a plastic liner. Always place the containers on the ground away from the vehicle before filling.
7. Remove gas-powered equipment from the vehicle or trailer and refuel it on the ground. If this is not possible, then refuel equipment using a portable container, rather than a gasoline dispenser nozzle.
8. DO NOT start gas powered equipment in enclosed vehicles or trailers.
9. Keep the nozzle in contact with the rim of the fuel tank or container opening at all times until fueling is complete. DO NOT use a nozzle lock-open device
10. If fuel is spilled on clothing, change clothing immediately.
11. DO NOT overfill a fuel tank. Replace fuel cap and tighten securely.

Operation

1. DO NOT put hands or feet near or under rotating parts. Keep clear of discharge area while engine is running.
2. STOP engine when crossing gravel drives, walks, or roads, and under any conditions where thrown objects might be a hazard.
3. Mow only in daylight or good artificial light.
4. DO NOT operate mower while under the influence of alcohol or drugs.
5. After striking a foreign object or if mower vibrates abnormally, STOP the engine, disconnect and secure spark plug wire. Inspect the mower for any damage and repair the damage before starting.
6. DO NOT mow near drop offs, ditches or embankments. Operator could lose footing or balance.
7. STAY ALERT for holes and other hidden hazards. Tall grass can hide obstacles. Keep away from ditches, washouts, culverts, fences and protruding objects.
8. DO NOT mow on wet grass. Always be sure of your footing. Keep a firm hold on the handle and walk, never run. Slipping could cause injury.
9. ALWAYS stay behind handle when engine (motor) is running.
10. DO NOT leave the machine with the engine running. STOP BLADE and STOP ENGINE before leaving the operators position for any reason.
11. Before cleaning, repairing or inspecting make certain engine, blade and all moving parts have STOPPED. Disconnect and secure spark plug wire away from plug to prevent accidental starting.
12. STOP engine and wait until the blade comes to complete STOP before removing grass bag and/or clearing grass.

Operation (Continued From Previous Column)

13. DO NOT operate mower without the entire grass catcher, rear guard or other safety devices in place and working. DO NOT point discharge at people, passing cars, windows or doors.
14. DO NOT discharge material against a wall or obstruction. Material may ricochet back towards the operator.
15. Slow down before turning.
16. Watch out for traffic when near or crossing roadways.
17. DO NOT operate engine in enclosed areas. Engine exhaust gases contain carbon monoxide, a deadly poison.
18. Only use accessories approved by the manufacturer. See manufacturer's instructions for proper operation and installation of accessories.

Maintenance and Storage

1. DO NOT store mower or fuel container inside where fumes may reach an open flame, spark or pilot light such as in a water heater, furnace, clothes dryer or other gas appliance. Allow engine to cool before storing machine in an enclosure. Store fuel container out of reach of children in a well ventilated, unoccupied building.
2. Keep mower and engine free of grass, leaves or excess grease to reduce fire hazard and engine overheating.
3. When draining fuel tank, drain fuel into an approved container outdoors and away from open flame.
4. Keep all bolts, especially blade bolts, nuts and screws properly tight. Check that all cotter pins are in proper position.
5. Always provide adequate ventilation when running engine. Engine exhaust gases contain carbon monoxide, a deadly poison.
6. Service engine and make adjustments only when engine is stopped. Remove spark plug wire from spark plug and secure wire away from spark plug to prevent accidental starting.
7. DO NOT change engine governor speed settings or overspeed engine.
8. Check grass bag assembly frequently for wear or deterioration to avoid thrown objects and exposure to moving parts. Replace with new bag if loose seams or tears are evident. Replace slider or bag adapter if broken or cracked.
9. Mower blades are sharp and can cut. Wrap the blades or wear heavy leather gloves and use CAUTION when handling them.
10. DO NOT test for spark by grounding spark plug next to spark plug hole; spark plug could ignite gas exiting engine.
11. Have machine serviced by an authorized dealer at least once a year and have the dealer install any new safety devices.
12. Use only factory authorized replacement parts or like parts when making repairs.

Assembly



WARNING: Before doing any assembly or maintenance to the mower, remove the wire from the spark plug.

NOTE: In this instruction book, left and right describe the location of a part with the operator standing behind the handle.

Unpacking

The mower was fully assembled at the factory. When the mower was put in the carton, the handle was put in the storage position. To put the handle in the operating position, follow the steps below.

Handle

1. Remove the mower from the carton.
2. Remove all packing material from the mower and the handle.
3. Remove the wingnuts (A, Figure 1), washers (not shown), and bolts (B) from the right and left handle brackets (C).

NOTE: Do not remove the lower set of handle hardware (D).

4. Raise the lower handle, aligning it with one of the three sets of holes in the handle brackets (C). Reinstall the bolts, washers and wingnuts.
5. Put the upper handle (A, Figure 2) in the operating (upright) position. Tighten the wingnuts (B).

NOTE: The height of the handle can be set for operator comfort. See "Handle Height".

CAUTION: Be careful when you fold or raise the handle. Do not damage the cables. A cable that is bent will not work correctly. Before you use the unit, replace a bent or damaged cable.

6. Hold the engine stop lever against the handle. (Refer to section entitled 'Engine Stop Lever'.) Slowly pull the recoil-start grip (A, Figure 3). To attach the recoil-start grip to the rope guide (B), twist the rope through the rope guide mounted on the right side of the handle.

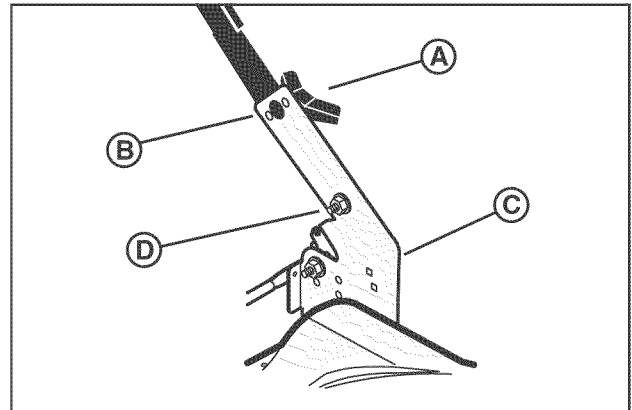


Figure 1: Unfolding the lower handle

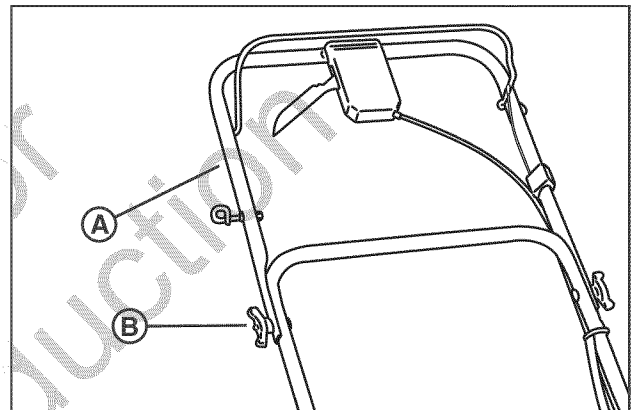


Figure 2: Unfolding the upper handle

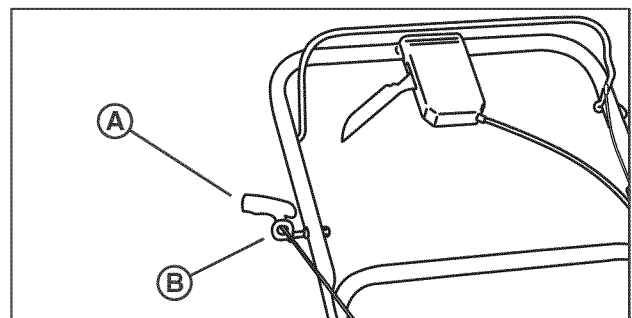


Figure 3: Attaching the recoil-start grip

Adjusting the Handle Height

1. Remove the wingnuts (A, Figure 4), washers (not shown), and bolts (B) from the right and left handle brackets (C).

NOTE: Do not remove the lower set of handle hardware (D).

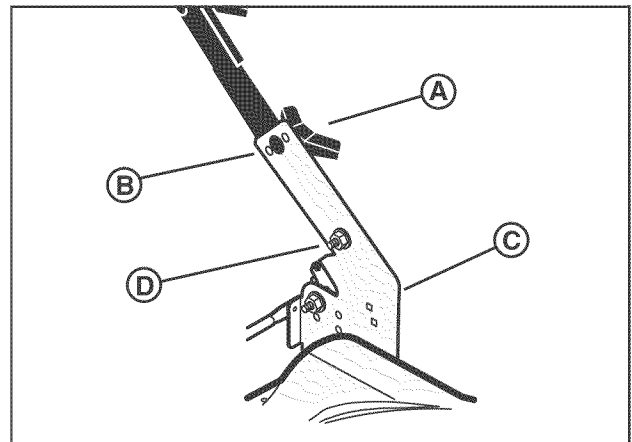


Figure 4: Removing the handle adjustment hardware

2. Adjust the handle to a higher or lower height adjustment hole (A, Figure 5).
3. Reinstall the bolts, washers and wingnuts removed in Step 1.

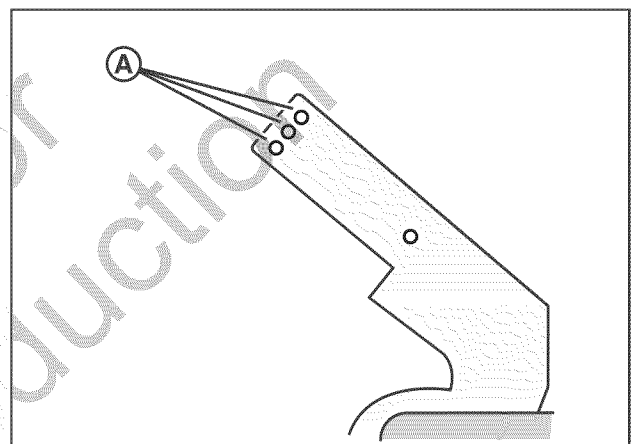


Figure 5: Height adjustment holes
(Components removed for clarity)

Assembly

Assembling the Grass Bag

Note: On some models, the side mounted discharge deflector is temporarily attached (for shipping purposes) to the rear of the mower. Before assembly of the grass bag, remove the side mounted discharge deflector.

1. Slide the frame assembly (A, Figure 6) into the grass bag (B). Make sure the handle (C) is on the outside of the grass bag.

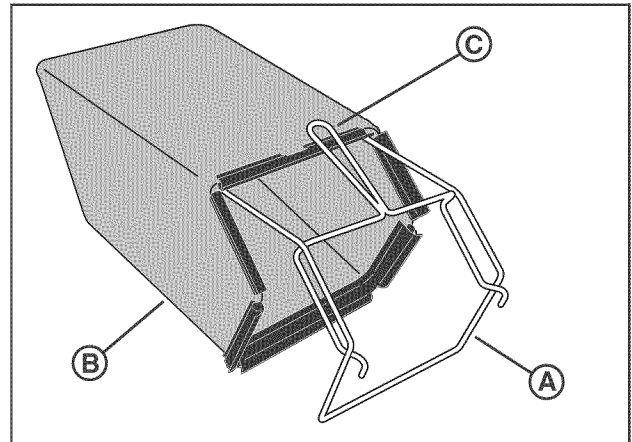


Figure 6: Installing the frame assembly

2. First, attach the clips (A, Figure 7) to the side of the frame assembly. Next, attach the clips to the top and bottom of the frame assembly.

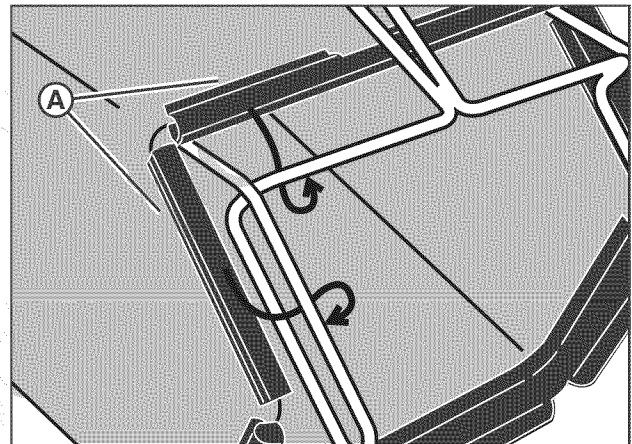


Figure 7: Installing the bag clips

Mounting the Grass Bag

1. To mount the grass bag on the mower, raise the rear door (A, Figure 8). Remove the mulching plug.

Important: The mulching plug should be removed only when bagging is desired, and should be replaced as soon as bagging operations are completed.

2. Holding the grass bag by the handle (A, Figure 9), mount the hooks (B) on either end of the grass bag frame assembly onto the rear door pivot rod (C). Lower the grass bag against the rear of the mower. Lower the rear door.

Important: Make sure both grass bag hooks are mounted on the pivot rod.

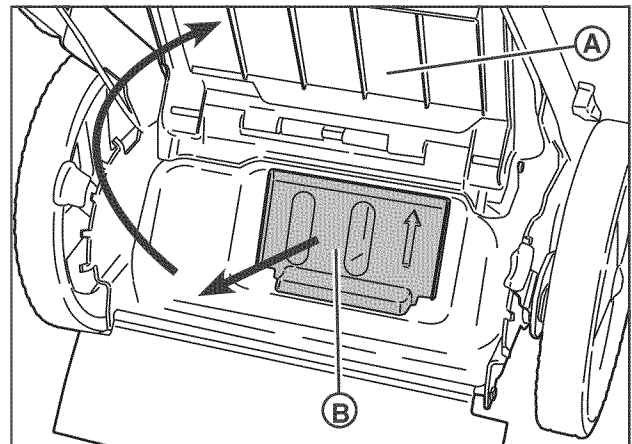


Figure 8: Removing the mulching plug



WARNING: Check the condition of the grass bag for wear or deterioration. If worn or damaged, replace the parts only with approved factory replacement parts.

Emptying the Grass Bag



WARNING: Before you remove the grass bag, stop the engine. Before you remove any grass from the mower housing, disconnect the wire from the spark plug.

1. Raise the rear door to a vertical position.
2. Hold the handle of the grass bag and lift the frame assembly. Continue to lift the frame assembly until the hooks are no longer mounted on the pivot rod. Remove the grass bag.
3. Empty the grass from the grass bag.
4. To mount the grass bag on the mower, see "Mounting The Grass Bag".

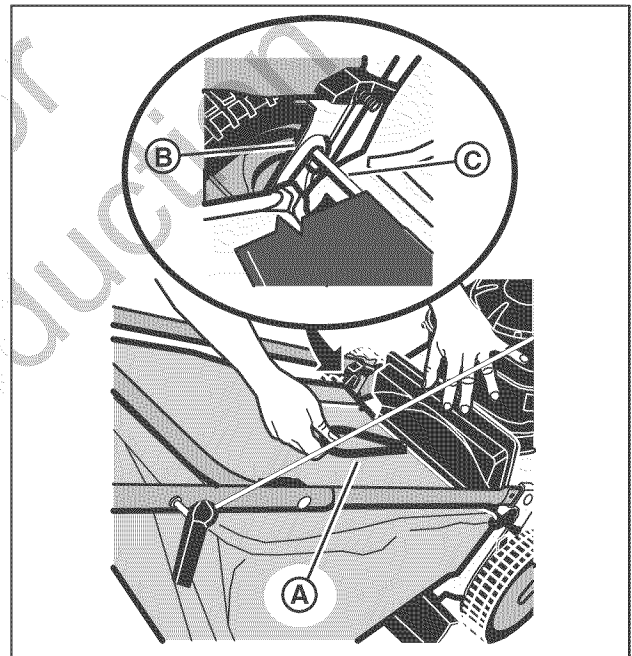


Figure 9: Mounting the grass bag

Assembly

Attaching the Side Mounted Discharge Deflector



WARNING: To prevent the engine from starting, disconnect the wire from the spark plug.

For shipping purposes, the side deflector was not installed. Locate the side deflector and install as follows.

1. Raise the mulcher cover (A, Figure 10).
2. Attach the side deflector (B). Make sure the locking tabs (C) go through the slots in the side deflector.
3. Lower the mulcher cover (A, Figure 11).
4. Attach the wire to the spark plug.

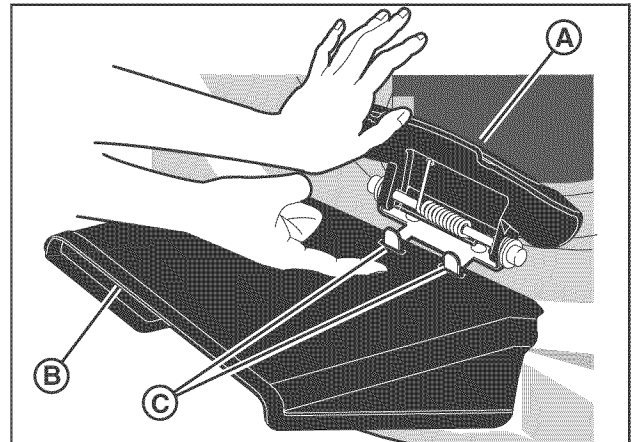


Figure 10: Installing the side discharge deflector

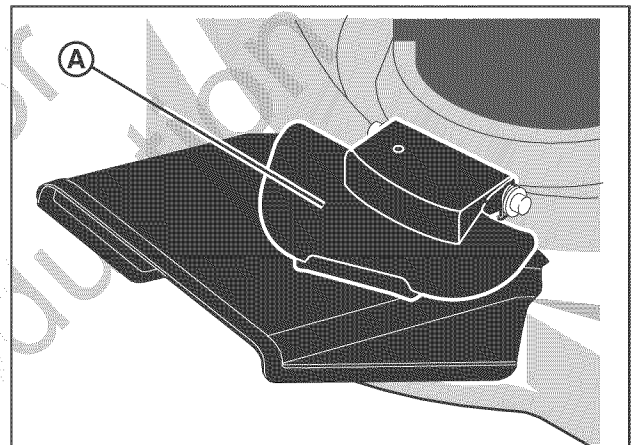


Figure 11: Releasing the mulcher cover

Mulching Tips

Mulching finely cuts the grass so that the grass can be easily recycled. Because the nutrients are returned to the soil, the lawn will need less fertilizer. To correctly mulch the lawn, follow the tips below.

- The grass must be dry. If the grass is wet, it will be difficult to cut and cause heavy clumps of grass.
- The grass must not be too tall. The maximum height to effectively cut is 4 1/2 inches. Set the height adjusters so that only the top third of the grass is cut.
- If the grass is more than 4 1/2 inches high, two mowings will be necessary. For the first mowing, set the height adjusters in the highest position. Then, lower the height adjusters for the second mowing.

- Keep a sharp edge on the blade. A blade that is not sharp will cause the ends of the grass to become brown.
- Clean the underside of the mower housing. Grass and other debris can keep the mower from working correctly.

If the quality of cut is marginal, try the following:

- Set the height adjusters at a higher cutting height.
- Cut the grass more frequently.
- Operate the mower at a slower ground speed.
- Overlap the cutting swaths instead of cutting a full swath with each pass.
- Mow across the marginal areas a second time.

Preparing the Engine

ENGINE DOES NOT CONTAIN OIL OR GASOLINE

Using the bottle of oil supplied in the carton, fill the engine with the proper amount of oil. See the engine manufacturer's instructions for the type of gasoline and oil to use. Before you use the unit, read the information on safety, operation, maintenance, and storage.



WARNING: Follow the engine manufacturer's instructions for the type of gasoline and oil to use. Always use a safety gasoline container. Do not smoke when adding gasoline to the engine. When inside an enclosure, do not fill with gasoline. Before you add gasoline, stop the engine. Let the engine cool for several minutes.

NOTE: The operation of a new engine will sometimes result in a slight amount of smoke. This smoke is caused by paint or oil on or around the muffler. This is normal and only expected during initial operation.

IMPORTANT: This unit is equipped with an internal combustion engine and must not be used on or near any unimproved forest-covered, brush-covered or grass-covered and unless the engine's exhaust system is equipped with a spark arrester meeting applicable local or state laws (if any). If a spark arrester is used, it must be maintained in effective working order by the operator.

In the State of California the above is required by law (Section 4442 of the California Public Resources Code). Other states may have similar laws. Federal laws apply on federal lands. See an Authorized Service Center for a spark arrester for the muffler.

NOTE: Actual sustained engine power will likely be lower due to operating limitations and environmental factors.

Final Preparation

Before you use the mower, check the assembly of the wheels, the handle, and the controls. Make sure all the fasteners are tight. Make sure the throttle control (if equipped) and the engine stop lever work correctly.

If the mower is equipped with height adjusters, make sure the height adjusters function properly. Before starting the engine, make sure each height adjuster is set at the desired height. See "Adjusting The Height Of Cut" in the Maintenance sections.

Operation

Engine Stop Lever

Release the engine stop lever (A, Figure 12) and the engine and the blade will automatically stop. To run the engine, hold the engine stop lever in the Operating position (B).

Before you start the engine, operate the engine stop lever several times. Make sure the cable moves easily.

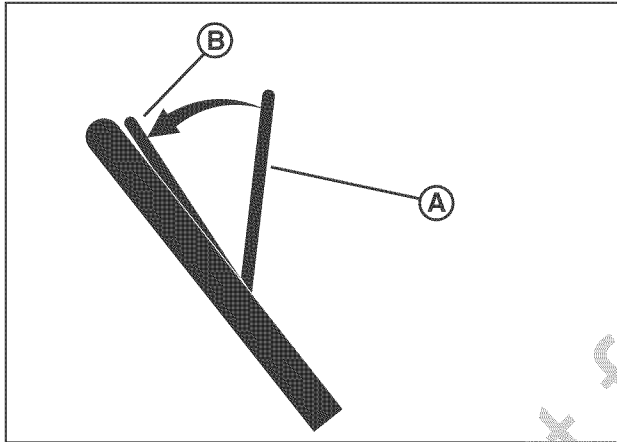


Figure 12: Operating the engine stop lever

Wheel Drive System

The mower has a wheel drive system. Operate the drive system as follows.

1. Hold the engine stop lever (A, Figure 12) in the Operating Position (B).
2. Slowly pull the drive lever (A, Figure 13) back. The drive system is now engaged. To increase ground speed, slowly pull the drive lever farther back. To decrease ground speed, slowly release the drive lever.
3. To disengage the drive system and stop the engine, completely release the engine stop lever.
4. To disengage only the drive system, release the drive lever. The drive system will disengage but the engine will continue to run.

NOTE: When the drive system is disengaged on a new unit, it is possible for the wheels to rotate if lifted off the ground. This is normal and will stop after one or two hours of operation.



WARNING: For safe operation, the drive system must immediately disengage when the drive lever is released. If the drive system does not disengage correctly, do not operate the mower until the drive system is adjusted or repaired by an authorized service center.

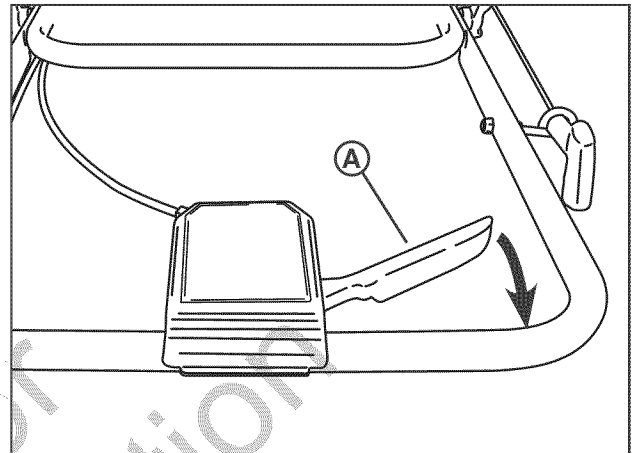


Figure 13: Operating the wheel drive system

Stopping the Engine

To stop the engine, release the engine stop lever. Disconnect the wire from the spark plug to prevent the engine from starting.

Before you start the engine, check the engine stop cable. Make sure the engine stop cable is assembled correctly. Before you operate the unit, replace a bent or damaged engine stop cable.

Starting the Engine



WARNING: The blade will rotate when the engine runs.

IMPORTANT: Before you start the engine, operate the engine stop lever several times. Make sure the engine stop cable moves freely.

NOTE: The engine design does not include a throttle control or an engine speed adjustment. The engine is set at the best speed for cutting grass, bagging grass, and for extended engine life.

NOTE: Models equipped with Ready Start™ engines do not feature a primer button. See the engine manufacturer's instructions for further information.

1. Check the oil.
2. Fill the fuel tank with regular unleaded gasoline. Make sure the gasoline is clean. Leaded gasoline will increase deposits and shorten the life of the valves.

NOTE: Do not use gasohol or methanol. Do not use premium unleaded gasoline.



WARNING: Always use a safety gasoline container. Do not smoke when adding gasoline to the fuel tank. When inside an enclosure, do not add gasoline. Before you add gasoline, stop the engine and let the engine cool for several minutes.

3. Make sure the spark plug wire is connected to the spark plug.
4. Make sure the drive lever is in the disengaged position.



WARNING: To prevent an accident, make sure the drive lever is in the **DISENGAGED** position. When the drive lever is in the **ENGAGED** position, do not start the engine.

5. Stand behind the mower. Use one hand to hold the engine stop lever in the operating position (A, Figure 14).
6. Start the mower: Pull the rope start handle (B) to crank the engine.
7. After the engine starts, allow a brief warm-up until the engine runs smooth before beginning mower operation.

8. If the engine does not start in 5 or 6 tries, see the "Troubleshooting" Instructions.

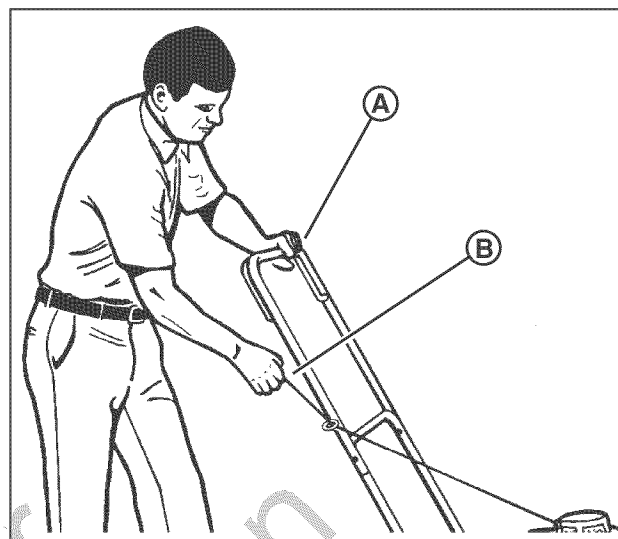


Figure 14: Starting the engine

Rules for Safe and Effective Operation

Refer to the 'Operator Safety' section of this manual for important rules concerning safe and effective mower operation.

Maintenance

Maintenance Chart



WARNING: Before you make an inspection, adjustment (except carburetor), or repair, stop the engine and disconnect the wire from the spark plug.

MOWER
Every 8 Hours or Daily
Check engine stop lever
Clean debris off mower
Every 25 Hours or Annually *
Check mower for loose hardware
Every 50 Hours or Annually *
Clean battery and cables (if equipped)
See Dealer Annually to
Lubricate mower
Check mower belt
Check mower blade **
Check mower blade stopping time

* Whichever comes first.

**Check blade more often in regions with sandy soils or high dust conditions.

ENGINE
First 5 Hours
Change engine oil
Every 8 Hours or Daily
Check engine oil level
Every 25 Hours or Annually *
Clean engine air filter and pre-cleaner (if equipped) **
Every 50 Hours or Annually *
Change engine oil
Replace oil filter (if equipped)
Annually
Replace air filter
Replace pre-cleaner (if equipped)
See Dealer Annually to
Inspect muffler and spark arrester (if equipped)
Replace spark plug
Replace fuel filter (if equipped)
Clean engine air cooling system

* Whichever comes first.

**Clean more often in dusty conditions or when airborne debris is present.

Engine Maintenance

Use the following maintenance section to keep your unit in good operating condition. All the maintenance information for the engine is in the engine manual. Before you start the engine, read this book.



WARNING: Before you make an inspection, adjustment (except carburetor), or repair, stop the engine and disconnect the wire from the spark plug.

Engine Tipping

When you service the engine, inspect the blade, or clean the underside of the mower housing; make sure to always tip the engine with the spark plug up (Figure 15). Transporting or tipping the engine with the spark plug down will cause:

- Hard starting.
- Engine smoking.
- Spark plug fouling.
- Oil or gas saturation of the air filter.

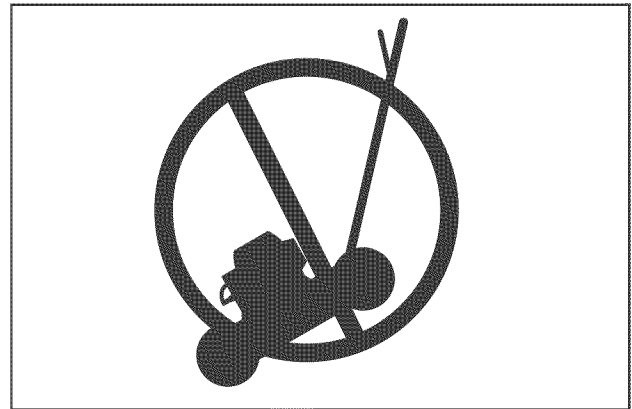


Figure 15: No forward engine tipping

Lubrication

1. For maximum performance, lubricate the wheels and all pivot points with engine oil every 25 hours.
2. To lubricate the engine, refer to the engine manual.

NOTE: Do not lubricate the engine stop cable. Lubricants will damage the cable and prevent the cable from moving freely. Replace the cable if bent or damaged.

Adjusting the Height of Cut



WARNING: The blade will rotate when the engine runs. Before you change the height of cut, stop the engine and disconnect the wire from the spark plug.

To change the height of cut, move the position of the adjuster arm at each wheel (A, Figure 16). Make sure each adjuster arm is in the same position so that the mower will cut level.

1. Disengage the adjuster arm.
2. Move the adjuster arm to another position.

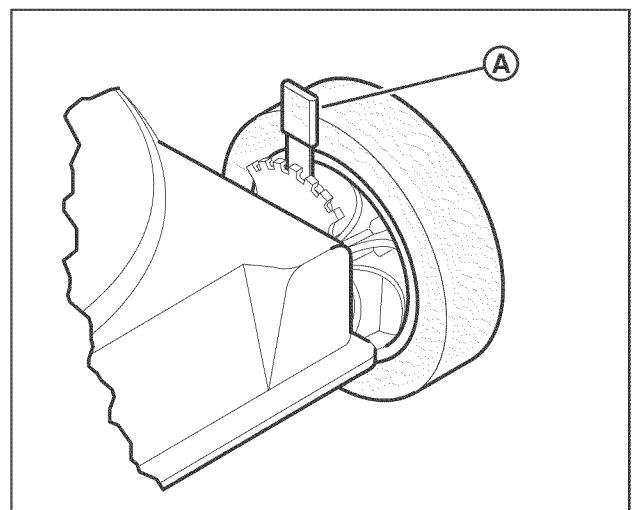


Figure 16: Adjusting the height of cut

Maintenance

Adjusting the Drive Cable



WARNING: Before you adjust the drive cable, release the engine stop lever and wait for the engine to stop.

If the drive system does not engage and disengage correctly, check the handle for correct assembly. Make sure that all parts are in good condition, not broken or bent, and that all fasteners are tight.

Worn parts and cable stretch will change the performance of the drive system. When you mow in high or thick grass or on hills, the drive system can slip. If the drive system is slipping, adjust as follows or take the mower to an authorized service center.

IMPORTANT: Before you start the engine, operate the engine stop lever several times. Make sure the engine stop cable moves freely.

Note: The engine design does not include a throttle control or an engine speed adjustment. The engine is set at the best speed for cutting grass, bagging grass, and for extended engine life.

1. If the drive system is slipping, loosen the jam nut (B, Figure 17) on the adjustment turnbuckle (A), and rotate the ferrule (C) one-half turn in the direction shown. Test the drive system and check for slippage.
2. If the drive system still slips, adjust again. Again, test the drive system.
3. Repeat the adjustment and test until the drive system does not slip.
4. Before you begin to mow, make sure the drive system will correctly disengage and that the mower will stop. If the drive system will not disengage, take the mower to an authorized service center before you operate the mower.

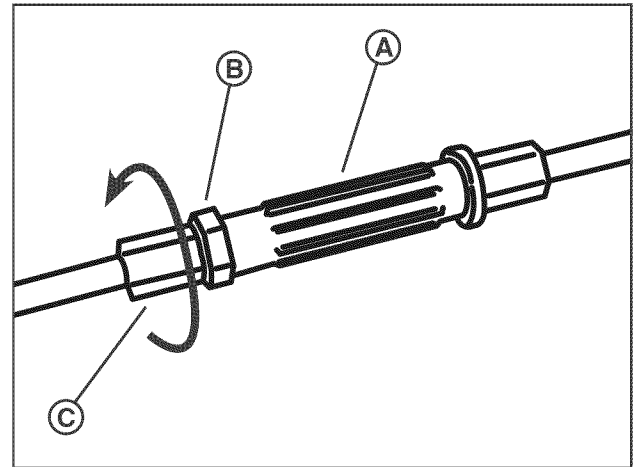


Figure 17: Adjusting the drive cable

Blade Service



WARNING: Before you inspect the blade or the blade adapter, disconnect the wire to the spark plug. If the blade hits an object, stop the engine. Disconnect the wire to the spark plug. Check the unit for damage.

Frequently check the blade for wear or damage such as cracks. Frequently check the bolt that holds the blade. Keep the bolt tight. If the blade hits an object, stop the engine. Disconnect the wire to the spark plug. Check the blade adapter (A, Figure 18) for damage. Check for a bent or damaged blade, a badly worn blade, or other damage. Before you operate the unit, damaged parts must be replaced with factory replacement parts. For safety, replace the blade every two years. Keep a sharp edge on the blade. A blade that is not sharp will cause the ends of the grass to become brown. Remove the blade as follows.

Removing the Blade



WARNING: Before you remove the blade, disconnect the wire to the spark plug. The blade has sharp edges. When you hold the blade, use gloves or cloth material to protect your hands.

1. Drain the fuel tank.
2. Lift the side of the mower that has the muffler or spark plug.
3. Use a piece of wood to keep the blade from rotating.
4. Remove the bolt (B, Figure 18) that holds the blade with a 9/16" (14mm) wrench.
5. Check the blade (C) according to the "Blade Service" instructions. Replace a badly worn or damaged blade with a factory replacement blade.
6. Mount the blade with the curved edges toward the housing. If the blade is upside down, the blade will not cut correctly and can cause an accident.
7. Fasten the blade with the original washer (D) and bolt. Make sure the outside rim of the Belleville washer is toward the blade.
8. Tighten the bolt that holds the blade to a torque of 30 foot pounds.



WARNING: Always keep the bolt that holds the blade tight. A loose bolt or blade can cause an accident.

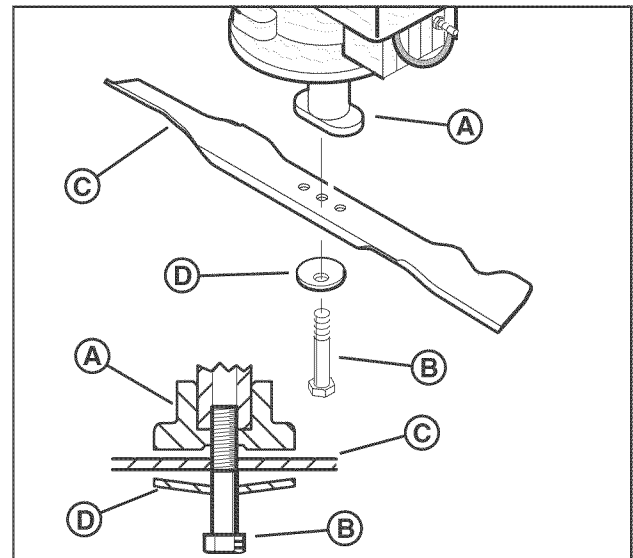
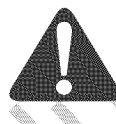


Figure 18: Removing the blade

Sharpening the Blade



WARNING: Vibration is the result if the blade is not correctly balanced. A blade that is damaged with cracks can break and cause an accident.

1. Sharpen the blade two times a year or every 25 hours.
2. If the blade is on the unit, do not sharpen. Remove the blade according to the instructions in "Removing The Blade".
3. Clean the blade with a brush, soap, and water. Check the blade. Look for cracks, nicks, or other damage. Replace a blade that is badly worn, bent, or damaged with a factory replacement blade.
4. Sharpen the blade (A, Figure 19, next page) with a file (B). Make sure you keep the original beveled cutting edge.
5. Make sure the blade is balanced. Use a screwdriver (C) and hold the blade parallel to the ground (D) as shown. A blade that is balanced will stay parallel to the ground. If the blade is not balanced, the heavy end will rotate toward the ground. Sharpen the heavy end until the blade is balanced.
6. A new blade will cut better than a badly worn blade. Every two years replace the old blade with a factory replacement blade.

Checking the Level of Cut

Test the unit in a small area. If the height of cut is not level or if the cut grass is not discharged, the cause can be: (1) the blade is bent or damaged, (2) the blade is not sharp, (3) a worn blade, (4) or a broken blade adapter. Before you use the unit, correct the problem.

Maintenance

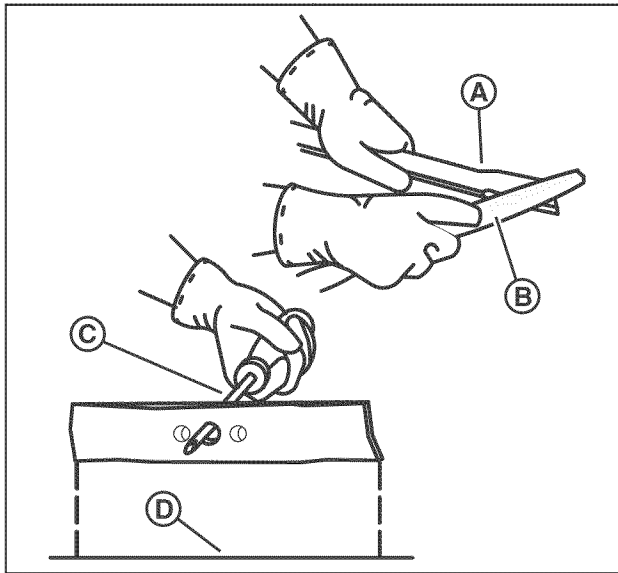


Figure 19: Sharpening the blade

Cleaning the Mower Housing



WARNING: The blade will rotate when the engine runs. Before you clean the mower housing, stop the engine and disconnect the wire from the spark plug.

Grass and other debris can keep the mower from working correctly. After you mow, clean the mower housing as follows.

1. Stop the engine.
2. Disconnect the wire from the spark plug.
3. Clean dirt and debris from the top of the mower housing. Clean with soap and water. Wipe off excess water before storage.

Washout Port



WARNING: Use appropriate eye protection.



WARNING: Keep people and pets out of the area.

The washout port allows hands-free cleaning of the bottom of the mower housing. To use the washout port:

1. Be sure the grass bag and side discharge deflector are removed, and the mulching plug is installed.
2. Set the height of cut to the lowest position. Refer to the 'Adjusting the Height of Cut' section of this manual.
3. Move the mower to a flat, level, concrete or paved surface.
4. Stop the engine.
5. Connect the male end of a standard garden hose to the washout port connector (A, Figure 20, next page).
6. Turn on the water supply to the garden hose.
7. Start the engine and run until no more debris emerges from under the mower housing.



WARNING: Stay behind the handle while the engine is running.

8. Stop the engine.
9. Turn off the water supply to the garden hose.
10. Disconnect the garden hose from the washout port connector.
11. Start the engine and run for 2-3 minutes, to allow the bottom of the mower housing to dry.



WARNING: Do not attempt mowing operations while using the washout port.



WARNING: Do not attempt to look under or reach under the mower housing for any reason while using the washout port. Serious injury can result.

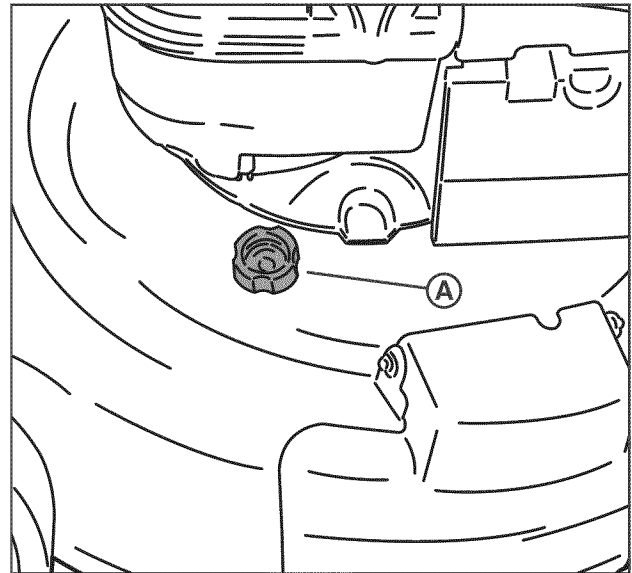


Figure 20: Washout port

Preparing the Mower for Storage



WARNING: Do not remove gasoline while inside a building, near a fire, or while you smoke. Gasoline fumes can cause an explosion or a fire.

1. Drain the fuel tank.
2. Let the engine run until it is out of gasoline.
3. Drain the oil from the warm engine. Fill the engine crankcase with new oil.
4. Remove the spark plug from the cylinder. Pour one ounce of oil into the cylinder. Slowly pull the recoil-start grip so that the oil will protect the cylinder. Install a new spark plug in the cylinder.

5. Clean the dirt and debris from the cylinder cooling fins and the engine housing.
6. Clean the bottom of the mower housing.
7. Make sure the grass bag is empty of grass. Grass remaining in the bag during storage will damage the bag.
8. Completely clean the mower to protect the paint.
9. Fold the handles (if desired).

CAUTION: Be careful when you fold or raise the handle. Do not damage the cables. A cable that is bent will not work correctly. Before you use the unit, replace a bent or damaged cable.

10. Put the unit in a building that has good ventilation.

Troubleshooting

The engine will not start.

1. Make sure the fuel tank is filled with clean gasoline. Do not use old gasoline.
2. The wiring harness is disconnected. Connect the wiring harness.
3. Make sure the wire for the spark plug is connected to the spark plug.
4. There is too much gasoline in the engine cylinder. Remove and dry the spark plug. Pull the recoil-start grip several times. Install the spark plug. Connect the wire to the spark plug. Start the engine.
5. The engine is difficult to start in heavy or high grass. Move the mower to a clean dry surface.
6. Make sure the engine stop lever is in the operating position.

The engine will not stop.

1. Release the engine stop lever.
2. Check the engine stop cable. Replace the cable if bent or damaged.

Engine performance is bad.

1. Check the height of cut settings. Raise the height of cut if the grass is high.
2. Check the bottom of the blade housing. Clean the blade housing of grass and other debris.
3. Check the wire to the spark plug. Make sure the wire is connected.
4. Clean the engine cooling fins of grass and other debris.
5. Check the spark plug gap. Refer to the engine manual.
6. Check the amount of oil in the engine. Fill with oil if necessary.
7. Check the engine air cleaner. Refer to the engine manual.
8. The gasoline is bad. Drain and clean the fuel tank. Fill the fuel tank with clean gasoline.

Excessive vibration.

1. Remove the blade. Check the blade and balance if necessary. See the blade maintenance instructions.
2. Check for a bent or broken blade. A damaged blade is dangerous and must be replaced.
3. Check the blade adapter. Replace a broken blade adapter.
4. If the vibration continues, take the mower to an Authorized Service Center.

The grass will not discharge correctly.

1. Clean the bottom of the mower housing.
2. Check for a badly worn blade. Remove and sharpen the blade. For safety, replace the blade every two years with a factory replacement blade.

The grass is not cut even.

1. Check the height adjustment at each wheel. The height adjustment must be the same for each wheel.
2. Make sure the blade is sharp.
3. Check for a bent or broken blade. A damaged blade is dangerous and must be replaced.
4. Check for a broken blade adapter. Replace a broken blade adapter.

BRIGGS & STRATTON POWER PRODUCTS GROUP, L.L.C. OWNER WARRANTY POLICY

LIMITED WARRANTY

Briggs & Stratton Power Products Group, LLC will repair and/or replace, free of charge, any part(s) of the equipment that is defective in material or workmanship or both. Briggs & Stratton Corporation will repair and/or replace, free of charge, any part(s) of the Briggs and Stratton engine* (if equipped) that is defective in material or workmanship or both. Transportation charges on product submitted for repair or replacement under this warranty must be borne by purchaser. This warranty is effective for the time periods and subject to the conditions stated below. For warranty service, find the nearest Authorized Service Dealer using our dealer locator at www.BriggsandStratton.com or www.Snapper.com.

There is no other express warranty. Implied warranties, including those of merchantability and fitness for a particular purpose, are limited to one year from purchase or to the extent permitted by law. Liability for incidental or consequential damages are excluded to the extent exclusion is permitted by law.

Some states or countries do not allow limitations on how long an implied warranty lasts, and some states or countries do not allow the exclusion or limitation of incidental or consequential damages, so the above limitation and exclusion may not apply to you. This warranty gives you specific legal rights and you may also have other rights which vary from state to state or country to country.

WARRANTY PERIOD

Item	Consumer Use	Commercial Use:
Equipment	2 Years	90 Days
Engine*	2 Years	90 Days
Battery	1 Year	1 Year

The warranty period begins on the date of purchase by the first retail consumer or commercial end user, and continues for the period of time stated above. "Consumer use" means personal residential household use by a retail consumer. "Commercial use" means all other uses, including use for commercial, income producing or rental purposes. Once product has experienced commercial use, it shall thereafter be considered as commercial use for purposes of this warranty.

No warranty registration is necessary to obtain warranty on Briggs & Stratton products. Save your proof of purchase receipt. If you do not provide proof of the initial purchase date at the time warranty service is requested, the manufacturing date of the product will be used to determine warranty eligibility.

ABOUT YOUR WARRANTY

We welcome warranty repair and apologize to you for being inconvenienced. Warranty service is available only through servicing dealers authorized by Briggs & Stratton or BSPPG, LLC.

Most warranty repairs are handled routinely, but sometimes requests for warranty service may not be appropriate. This warranty only covers defects in materials or workmanship. It does not cover damage caused by improper use or abuse, improper maintenance or repair, normal wear and tear, or stale or unapproved fuel.

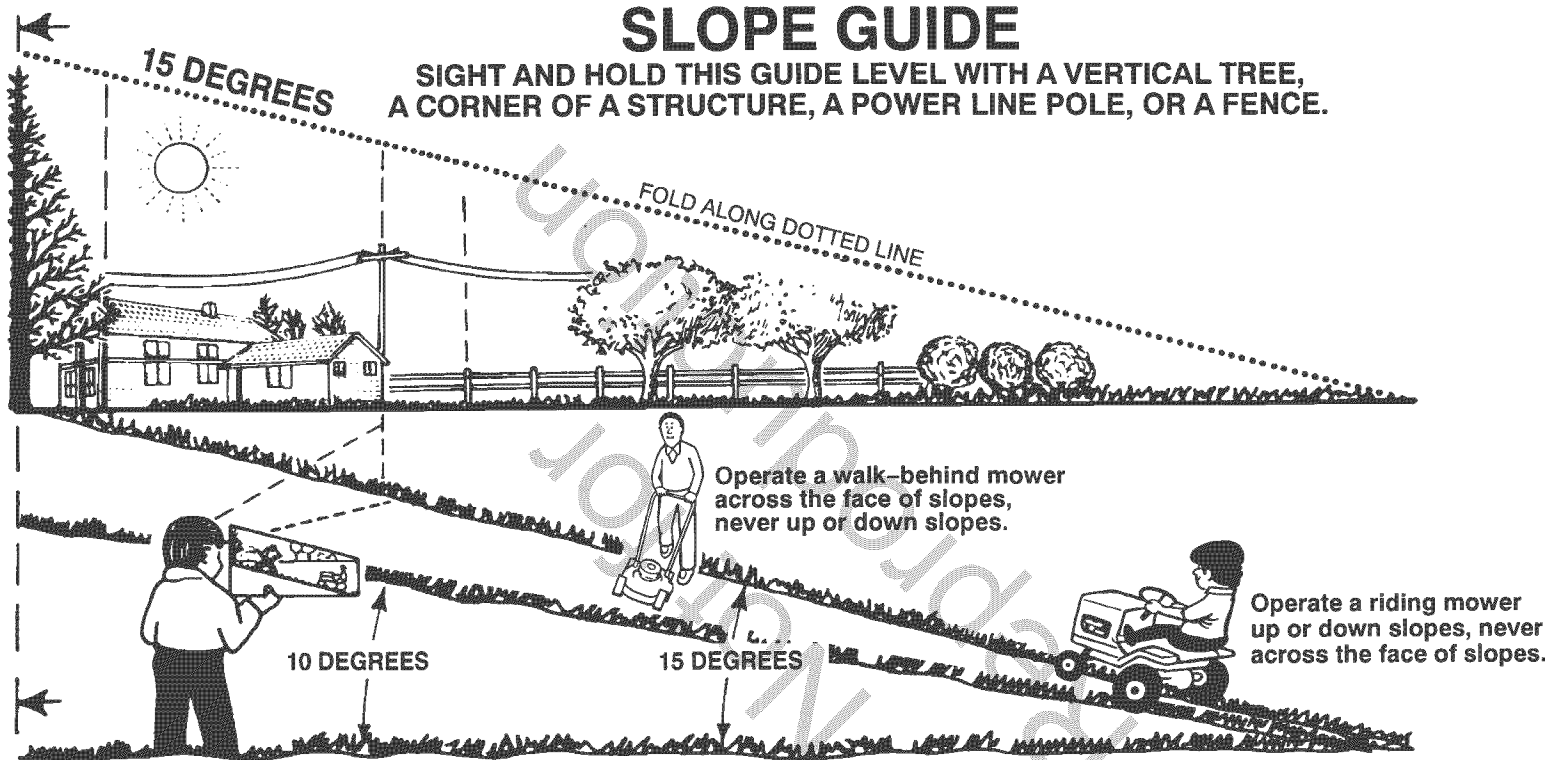
Improper Use and Abuse - The proper, intended use of this product is described in the Operator's Manual. Using the product in a way not described in the Operator's Manual or using the product after it has been damaged will void your warranty. Warranty is not allowed if the serial number on the product has been removed or the product has been altered or modified in any way, or if the product has evidence of abuse such as impact damage, or water/chemical corrosion damage.

Improper Maintenance or Repair - This product must be maintained according to the procedures and schedules provided in the Operator's Manual, and serviced or repaired using genuine Briggs & Stratton parts. Damage caused by lack of maintenance or use of non-original parts is not covered by warranty.

Normal Wear - Like all mechanical devices, your unit is subject to wear even when properly maintained. This warranty does not cover repairs when normal use has exhausted the life of a part or the equipment. Maintenance and wear items such as filters, belts, cutting blades, and brake pads (engine brake pads are covered) are not covered by warranty due to wear characteristics alone, unless the cause is due to defects in material or workmanship.

Stale Fuel - In order to function correctly, this product requires fresh fuel that conforms to the criteria specified in the Operator's Manual. Damage caused by stale fuel (carburetor leaks, clogged fuel tubes, sticking valves, etc) is not covered by warranty.

* Applies to Briggs and Stratton engines only. Warranty coverage of non-Briggs and Stratton engines is provided by the engine manufacturer.



On a riding mower to determine if a slope is safe to mow: (1) disengage the blade(s), (2) put the unit in reverse, and (3) try to back straight up the slope. If you can back up the slope, it is generally safe to mow. However, if you do not feel safe, or if you are not completely sure, use this guide and do not mow a slope that is greater than 15 degrees. If the riding mower is used with a pull-behind or rear mounted attachment, do not operate the unit on a slope that is greater than 10 degrees.

A 15 degree slope is a hill that increases in height at approximately 2.5 feet in 10 feet.
 A 10 degree slope is a hill that increases in height at approximately 1.7 feet in 10 feet.



Use extreme care at all times, and avoid sudden turns or maneuvers. Follow other instructions in this manual for safety in mowing on slopes. Operate a riding mower up or down slopes, never across the face of slopes. Operate a walk-behind mower across the face of slopes, never up or down slopes. Use extra care when operating on or near slopes and obstructions.

SNAPPER®

22" Self-Propelled Walk Behind Mower

Product Specifications	SPV2270HW / NSPV2270HW	SPV22725HW
Deck Size (in)	22	22
Height of Cut (in)	1.25 - 4	1.25 - 4
Transmission Type	Variable Speed/Gear	Variable Speed/Gear
Ground Speed (mph)	0 - 4.2	0 - 4.2
Engine Power (ft lbs)	7.00	7.25
Engine Displacement (cc)	190	190
Fuel Tank Capacity (qt)	1.0	1.0

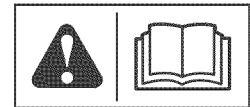
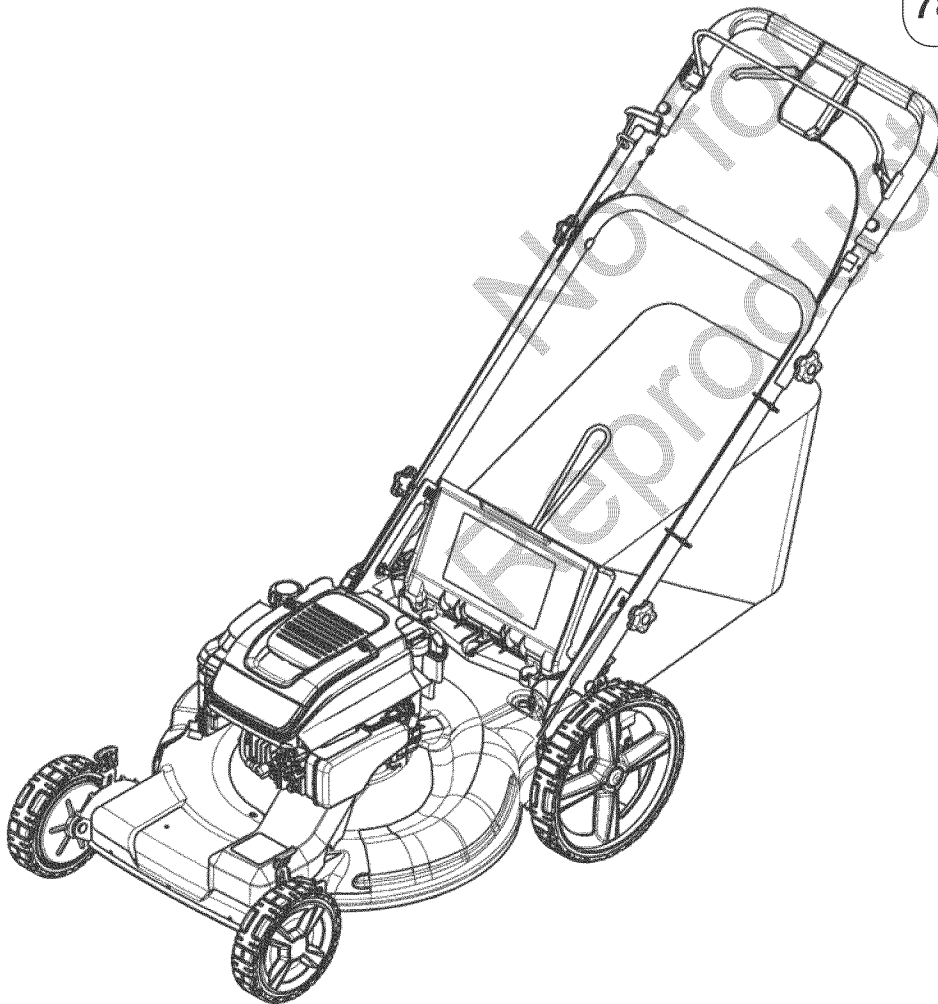
Power Ratings: The gross power rating for individual gas engine models is labeled in accordance with SAE (Society of Automotive Engineers) code J1940 (Small Engine Power & Torque Rating Procedure), and rating performance has been obtained and corrected in accordance with SAE J1995 (Revision 2002-05). Torque values are derived at 3060 RPM; horsepower values are derived at 3600 RPM. The gross power curves can be viewed at www.BRIGGSandSTRATTON.COM. Net power values are taken with exhaust and air cleaner installed whereas gross power values are collected without these attachments. Actual gross engine power will be higher than net engine power and is affected by, among other things, ambient operating conditions and engine-to-engine variability. Given the wide array of products on which engines are placed, the gas engine may not develop the rated gross power when used in a given piece of power equipment. This difference is due to a variety of factors including, but not limited to, the variety of engine components (air cleaner, exhaust, charging, cooling, carburetor, fuel pump, etc.), application limitations, ambient operating conditions (temperature, humidity, altitude), and engine-to-engine variability. Due to manufacturing and capacity limitations, Briggs & Stratton may substitute an engine of higher rated power for this Series engine.

Manual para el operador

SNAPPER®

22" autopropulsado Cortacésped Walk Behind

No de Modelo	Descripción
7800709	SPV2270HW
7800755	NSPV2270HW
7800831	SPV22725HW



Gracias por adquirir este producto Snapper de alta calidad. Le agradecemos la confianza que Vd. ha depositado en la marca Snapper. Cuando sea hecho funcionar y se realice su mantenimiento de conformidad con las instrucciones de este manual, su producto Snapper le ofrecerá muchos años de funcionamiento fiable.

Este manual contiene información de seguridad para avisarle de los peligros y riesgos asociados con el dispositivo y sobre el modo de evitarlos. Esta máquina está diseñada y concebida únicamente para el corte final de césped asentado y no para cualquier otro propósito. Es importante que lea y comprenda estas instrucciones con detenimiento antes de proceder a arrancar o hacer funcionar este equipo. **Conserve estas instrucciones originales para consultarlas en el futuro.**

Complete la siguiente información sobre la adquisición de su producto Snapper.

Fecha de compra _____

Minorista _____

Número de teléfono del vendedor minorista _____

Equipo

Número de modelo _____

Número de serie _____

Motor

Modelo _____ Tipo _____ Código _____



Índice

Seguridad del operador	4
Montaje.....	8
Desempaquetado	8
Asidero	8
Ajuste de la altura del asidero (manillar)	9
Bolsa de césped.....	10
Placa para el modo de triturado	12
Deflector de descarga lateral	12
Recomendaciones acerca del triturado.....	13
Cómo preparar el motor	13
Preparación final.....	13
Manejo.....	14
Palanca de parada del motor	14
Sistema de tracción de las ruedas (Unidades autopropulsadas)	14
Parada del motor.....	14
Arranque del motor.....	15
Reglas para un manejo seguro y efectivo	15
Mantenimiento.....	16
Tabla de mantenimiento	16
Mantenimiento del motor.....	17
Inclinación del motor	17
Lubricación.....	17
Ajuste de la altura de corte.....	17
Ajuste del cable del sistema de tracción de las ruedas.....	18
Servicio de mantenimiento de la cuchilla	19
Desmontaje de la cuchilla.....	19
Afilado de la cuchilla.....	19
Verificación del nivel de corte.....	19
Limpieza de la cubierta del cortacésped	20
Preparación del cortacésped para almacenamiento	21
Solución de problemas	22
Garantía.....	23
Guía para manejar en pendientes.....	25



ADVERTENCIA



Los bornes, terminales y otros accesorios relacionados con las baterías contienen plomo y compuestos de plomo, productos químicos considerados por el estado de California como la causa de cáncer y defectos de nacimiento u otros trastornos del aparato reproductor. Lávese las manos después de estar en contacto con ellos.



ADVERTENCIA



Los gases de escape del motor, algunos de sus constituyentes y ciertos componentes del vehículo contienen o emiten productos químicos considerados por el estado de California como la causa de cáncer u otros trastornos del aparato reproductor.

Seguridad del operador



Manejar el equipo con seguridad

Este equipo motorizado solamente es seguro dependiendo de cómo lo utilice el operador. Si se utiliza de manera incorrecta o si no se lleva a cabo un mantenimiento correcto, ¡puede ser peligroso! Recuerde que usted es el responsable de su seguridad y de la de aquellos que le rodean.

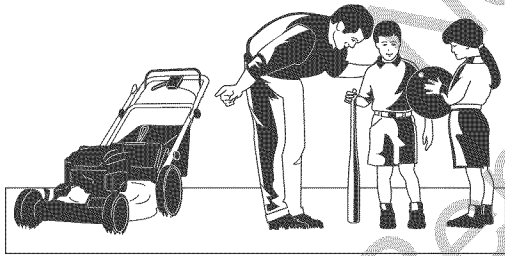
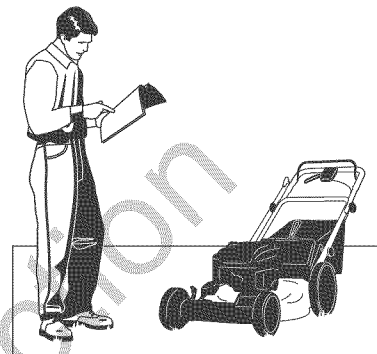
Utilice el sentido común, y piense con detenimiento lo que está haciendo. Si no está seguro de si la tarea que va a llevar a cabo se puede realizar con el equipo que ha adquirido de manera segura, solicite el consejo de un profesional: póngase en contacto con el distribuidor local autorizado.

Lea el manual

El manual del usuario contiene información de seguridad importante que debe conocer ANTES de poner en funcionamiento su máquina y MIENTRAS trabaja con ella.

En él se incluyen técnicas de seguridad sobre el funcionamiento, una explicación de las características, funciones y mandos del producto e información sobre el mantenimiento para ayudarle a obtener el máximo rendimiento a su equipo.

Asegúrese de leer toda la Información y las normas de seguridad que aparecen en las siguientes páginas. También debe leer completamente la sección de funcionamiento.



Niños

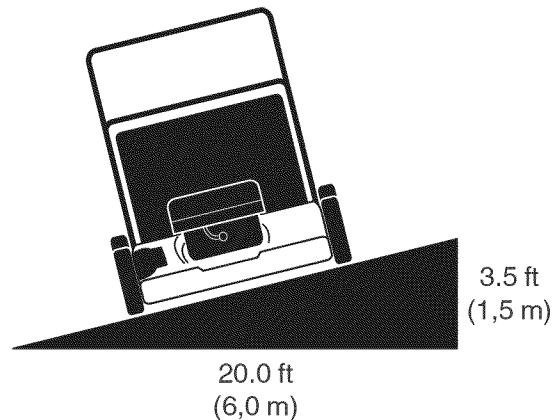
Pueden producirse accidentes graves con niños. No les permita estar cerca del área de trabajo. Por lo general los niños se sienten atraídos por la unidad y por la actividad de cortar el césped. Nunca dé por supuesto que los niños se quedarán en el lugar donde los vio por última vez. Si hay riesgo de que los niños puedan entrar en la zona en la que está cortando el césped, pida a otro adulto que los vigile.

Funcionamiento en cuestas

Podría lesionarse gravemente o incluso matarse si utiliza esta unidad en cuestas demasiado pronunciadas. El uso de la unidad en una pendiente que sea demasiado pronunciada o donde no posea la tracción o el agarre adecuados puede hacer que pierda el control, patine o que vuelque.

No debe usar esta unidad en terrenos inclinados con una inclinación superior a los 10 grados, lo que equivale a 3,5 ft (1,5 m) de elevación sobre 20,0 ft (6,0 m). En pendientes, utilice siempre la máquina de manera horizontal, nunca de arriba hacia abajo o viceversa.

Recuerde que la superficie sobre la que corte el césped puede tener un enorme impacto sobre el control de la máquina. La hierba húmeda o las hojas pueden afectar gravemente al agarre y la tracción sobre una pendiente. Si no está seguro sobre cómo manejar la unidad en una pendiente, no lo haga. No vale la pena arriesgarse.



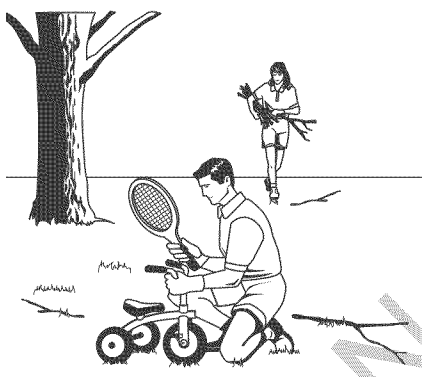
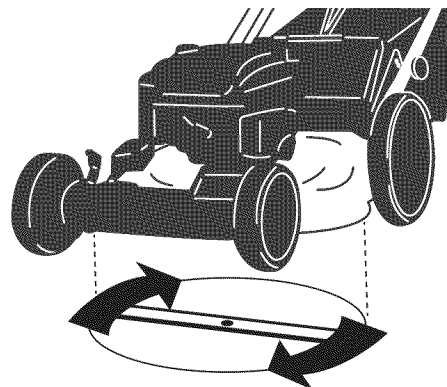
Seguridad del operador

Piezas móviles

Este equipo tiene piezas móviles que le pueden causar daños a usted o a otras personas. Sin embargo, si permanece de pie correctamente detrás del mango y sigue las instrucciones proporcionadas en este manual, esta unidad es segura.

La cubierta del cortacésped posee una cuchilla en movimiento que puede amputar manos y pies. No permita que nadie esté cerca del equipo mientras está en funcionamiento.

Para ayudarle a usted, el operario, a que utilice este equipo con seguridad, esta unidad está equipada con un sistema de seguridad que detecta la presencia del usuario. NO intente alterar ni modificar el sistema. Póngase en contacto con su distribuidor inmediatamente si el sistema no pasa todas las pruebas del sistema de interbloqueo de seguridad que aparecen en este manual.



Objetos tirados

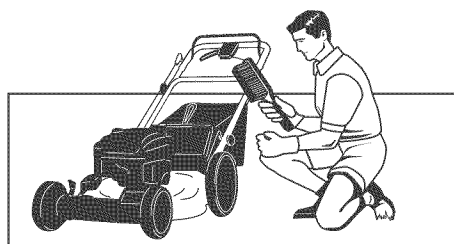
Esta unidad posee una cuchilla en movimiento. Esta cuchilla puede recoger y arrojar desechos que pueden lesionar gravemente a personas que se encuentren en la zona. Asegúrese de limpiar la zona que va a segar ANTES de comenzar.

No ponga en funcionamiento esta unidad sin haber instalado el recogedor de hierba o la protección posterior (deflector).

Asimismo, ¡no permita que nadie permanezca en la zona en la que está utilizando la máquina! Si alguien entrase en la zona, apague inmediatamente la unidad y espere a que se vaya.

Acumulación de desechos

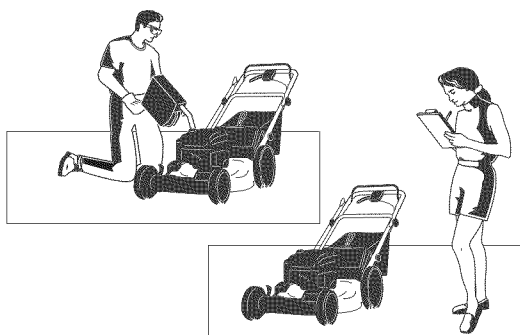
La acumulación de hierba y desechos puede ocasionar un incendio. Asegúrese de limpiar cualquier acumulación de hierba y desechos con un cepillo o aire comprimido antes o después del funcionamiento.



Combustible y mantenimiento

La gasolina es extremadamente inflamable. Sus vapores también son extremadamente inflamables y pueden alcanzar fuentes de ignición lejanas. La gasolina solamente se puede utilizar como combustible, no como disolvente o limpiador. Nunca debe guardarse en un lugar en el que sus vapores pueden alcanzar una fuente de ignición como por ejemplo una luz piloto. El combustible debe permanecer en una lata de combustible sellada o en un recipiente de plástico aprobado, o en el depósito de combustible del tractor con la tapa bien cerrada. El combustible derramado debe limpiarse inmediatamente.

Un mantenimiento adecuado es importantísimo para la seguridad y rendimiento de su unidad. Asegúrese de realizar los procedimientos de mantenimiento que aparecen en este manual, en especial las comprobaciones regulares del sistema de seguridad.



Seguridad del operador



ADVERTENCIA: ¡Esta potente máquina cortacésped puede llegar a amputar manos y pies y puede lanzar objetos que pueden causar lesiones y daños! El no cumplimiento de las siguientes instrucciones de SEGURIDAD puede resultar en lesiones graves o muerte del operador u otras personas. El propietario de la máquina deberá comprender estas instrucciones y permitirá utilizar la máquina únicamente a personas que comprendan estas instrucciones. Todas las personas que hagan funcionar la máquina deberán ser dueñas de sí mental y físicamente y no deberán hallarse bajo la influencia de ningún tipo de sustancias que puedan deteriorar sus capacidades visuales, su destreza o capacidad de juicio. Si tiene cualquier tipo de preguntas relativas a su máquina que su distribuidor no pueda responderle a su satisfacción, póngase en contacto con el Departamento de Atención al Cliente (1-800-317-7833 o www.snapper.com).

Protección a la infancia

Pueden ocurrir accidentes trágicos si el operador no está atento a la presencia de niños. Los niños suelen sentirse atraídos por la unidad y por la actividad del cortacésped. Nunca presuponga que los niños permanecerán donde los vio por última vez.

1. MANTENGA a los niños fuera de la zona de segado y bajo la atenta vigilancia de un adulto que se responsabilice de ellos, aparte del operador de la máquina.
2. NO PERMITE que los niños permanezcan en la zona cuando esté funcionando la máquina y DESCONÉCTELA si cualquier persona entra en la zona.
3. NO PERMITA que menores preadolescente utilicen la máquina.
4. PERMITA ÚNICAMENTE que adultos responsables y adolescentes con madura capacidad de juicio y bajo la cercana supervisión de un adulto utilicen la máquina.
5. NO RETROCEDA con el cortacésped a menos que sea absolutamente necesario. MIRE detrás y debajo de Vd. antes de retroceder y antes de retroceder y mientras lo haga por si hay niños, animales domésticos u otros peligros.
6. Ponga un cuidado especial al acercarse a esquinas ciegas, arbustos, árboles u otros objetos que puedan obstaculizar la visión.

Funcionamiento en pendientes

1. Las pendientes son un factor principal en los accidentes por deslizamientos caídas, que pueden resultar en graves lesiones. Las pendientes de toda clase exigen la mayor precaución. Si no se siente seguro sobre una pendiente, no utilice el cortacésped sobre ella.
2. En las pendientes, utilice el cortacésped a lo ancho, nunca de arriba a abajo. Tenga extremo cuidado cuando cambie de dirección en pendientes. NO UTILICE el cortacésped en pendientes pronunciado ni en otras zonas en que la estabilidad o la capacidad de tracción sean inciertas. Remítase a la Guía de Inclinación que encontrará al final de este manual.
3. Ponga el mayor cuidado con los recogedores de hierba y otros elementos anexos: afectan al manejo y a la estabilidad de la máquina.

Preparación

1. Lea, entienda y siga las instrucciones y advertencias contenidas en este manual y sobre el cortacésped, el motor y los elementos adjuntos. Debe conocer los controles y la forma de utilización del cortacésped adecuada antes de empezar.
2. Únicamente deberá hacer funcionar la máquina personas maduras y responsables, y únicamente tras la adecuada instrucción.
3. Los datos indican que operadores de 60 o más años están implicados en un amplio porcentaje de lesiones relacionadas con el uso de cortacéspedes. Estos operadores deberán evaluar su capacidad de utilizar la unidad de manera lo suficientemente segura como para protegerse a sí mismos y a los demás frente a graves lesiones.

Preparación

(Continuación de la columna previa)

4. Manipule el combustible con especial precaución. Los combustibles son inflamables y sus vapores, explosivos. Utilice un recipiente de combustible homologado. NO retire la tapa del combustible ni añada combustible con el motor en marcha. Añada combustible únicamente en exteriores y con el motor parado y frío. Limpie el combustible y aceite derramados sobre la máquina. NO fume.
5. Compruebe la zona cuyo césped haya de ser cortado y retire objetos como son juguetes, cables, piedras, ramas y otros elementos que puedan causar lesiones si son lanzados por la cuchilla o interfieren con el funcionamiento del cortacésped. Tenga en cuenta también la ubicación de agujeros, troncos cortados y otros posibles peligros.
6. Mantenga a personas y animales domésticos fuera de la zona de corte. DETENGA de forma inmediata la cuchilla, el motor y el cortacésped si cualquier persona entra en la zona.
7. Compruebe con frecuencia el adecuado funcionamiento y ubicación de broqueles, deflectores, conmutadores, controles de la cuchilla y otros dispositivos de seguridad.
8. Cerciórese de que todas las calcomanías se lean con claridad. Reemplácelas si están dañadas.
9. Protéjase cuando corte el césped y use gafas protectoras, máscaras antipolvo, pantalones largos y calzado consistente. NO corte el césped con los pies desnudos o con sandalias.
10. Debe saber como DETENER la cuchilla y el motor con rapidez ante cualquier emergencia.
11. Extremar la precaución cuando cargue o descargue la máquina de camiones o furgonetas.
12. Compruebe con frecuencia los componentes del recogedor de hierba en busca de signos de desgaste o deterioro y repóngalos según sea necesario para evitar lesiones producidas por el lanzamiento de objetos a través de puntos débiles o desgarrados.

Manipulación segura de la gasolina

Para evitar lesiones personales o daños en los bienes, extreme la precaución cuando manipule gasolina. La gasolina es extremadamente inflamable y sus vapores son explosivos.

1. Apague cigarrillos, puros, pipas y cualquier otra fuente de fuego.
2. Utilice un recipiente de combustible homologado.
3. NO retire la tapa del combustible ni añada combustible con el motor en marcha. Dé tiempo al motor para que se enfríe antes de reponer el combustible.
4. NO ponga combustible en la máquina en espacios interiores.
5. NO almacene la máquina ni el contenedor de combustible en interiores en que haya llamas expuestas, chispas o luces piloto como las de los calentadores de agua u otros dispositivos.
6. Nunca llene recipientes de combustible en el interior de vehículos o sobre el lecho de un camión o remolque con revestimientos de plástico. Sitúe los recipientes sobre el suelo, lejos del vehículo, antes de llenarlos.

Manipulación segura de la gasolina (Continuación de la página anterior)

7. Retire del vehículo o camión el equipamiento que se alimenta de gasolina y reponga el combustible sobre su suelo. Si ello no es posible, reponga el combustible del equipo utilizando un contenedor portátil y no con boquillas dosificadoras de gasolina.
8. NO arranque equipos alimentados por gasolina en vehículos o camiones cerrados.
9. Mantenga la boquilla en contacto con el borde de la boca del tanque o recipiente de combustible en todo momento y hasta haber completado el llenado. NO use un dispositivo para trabar y abrir boquillas.
10. Si se derrama combustible sobre su ropa, cámbiese de inmediato.
11. NO llene demasiado el tanque de combustible. Vuelva a situar la tapa del combustible y ajústela firmemente.

Funcionamiento

1. NO coloque las manos o pies cerca o debajo de piezas giratorias. Mantenga despejada la zona de descarga mientras el motor esté en marcha.
2. DETENGA el motor cuando atraviere zonas, paseos o caminos de grava o en cualquier situación en que puedan lanzarse objetos que constituyan un peligro.
3. Utilice el cortacésped únicamente en horas de luz o con suficiente luz artificial.
4. NO utilice la unidad cuando se halle bajo los efectos del alcohol o de drogas.
5. Si golpea un objeto extraño o el cortacésped vibra de forma anormal, DETENGA el motor y desconecte y asegure el cable de la bujía. Inspeccione el cortacésped en busca de posibles daños y, si es el caso, repárelos antes de volver a arrancarlo.
6. NO utilice el cortacésped cerca bajadas, zanjas o terraplenes. El operador podría dejar de hacer pie o perder el equilibrio.
7. ESTÉ alerta ante la presencia de hoyos y otros peligros ocultos. La hierba alta puede ocultar obstáculos. Manténgase lejos de cunetas, deslaves, alcantarillas, cercas y objetos que puedan salir proyectados.
8. NO utilice el cortacésped sobre hierba húmeda. Cerciórese siempre de hacer pie. Mantenga asido con fuerza el mango y avance lentamente, sin correr. Perder el pie puede causar accidentes que produzcan lesiones.
9. Manténgase siempre detrás del mango cuando el motor esté en funcionamiento.
10. NO abandone la máquina con el motor en marcha. DETENGA LA CUCHILLA y PARE EL MOTOR antes de abandonar por cualquier razón el puesto de operador.
11. Antes de limpiar, reparar o inspeccionar, cerciórese de que se hayan DETENIDO el motor, la cuchilla y todas las partes móviles. Desconecte y asegure el cable de la bujía lejos del conector para evitar arranques accidentales.
12. DETENGA el motor y espere hasta que la cuchilla que completamente DETENIDA antes de retirar la bolsa de hierba y/o retirar la hierba.
13. NO haga funcionar el cortacésped sin que el recogedor de hierba, la protección posterior y los demás dispositivos de seguridad estén en su lugar y en funcionamiento. NO apunte la descarga hacia personas, coches en tránsito, ventanas o puertas.

Funcionamiento (Continuación de la columna previa)

14. NO descargue materiales contra paredes u obstáculos. Los materiales puede rebotar hacia el operador.
15. Reduzca la velocidad antes de realizar giros.
16. Tenga precaución con el tráfico cuando se halle cerca de vías de comunicación o cruce por ellas.
17. NO haga funcionar el motor en zonas cerradas. Los gases del tubo de escape del motor contiene monóxido de carbono, un veneno letal.
18. Utilice únicamente accesorios aprobados por el fabricante. Remítase a las instrucciones del fabricante para obtener información sobre el adecuado funcionamiento e instalación de accesorios.

Mantenimiento y almacenamiento

1. NO almacene el cortacésped ni el contenedor de combustible en interiores en que los humos puedan alcanzar llamas expuestas, chispas o luces pilotos como las de los calentadores de agua, hornos u otros dispositivos que utilicen combustibles. Permita que el motor se enfríe antes de almacenar la máquina en un lugar cerrado. Almacene el contenedor de combustible fuera del alcance de los niños en una construcción ventilada desocupada.
2. Mantenga el cortacésped y su motor libre de hierba, hojas o exceso de grasa para reducir el riesgo de incendio y el sobrecalentamiento del motor.
3. Cuando drene el tanque de combustible, drene el combustible hasta un contenedor homologado y hágalo en espacios exteriores y lejos de llamas expuestas.
4. Mantenga precedentemente ajustados todos los pernos, especialmente los pernos de la cuchilla, tuercas y tornillos. Compruebe que todos los contrapinos se hallan en la posición adecuada.
5. Procure que haya siempre una ventilación adecuada antes de poner el motor en funcionamiento. Los gases del tubo de escape del motor contiene monóxido de carbono, un veneno letal.
6. Únicamente realice reparaciones y ajustes en el motor cuando éste se halle parado. Retire el cable de la bujía de la bujía y asegúrelo lejos de la bujía para evitar el arranque accidental.
7. NO cambie los ajustes de velocidad del regulador del motor o el motor de sobrevelocidad.
8. Compruebe la junta de la bolsa de hierba en busca de desgastes o signos de deterioro para evitar que salgan despedidos objetos y la exposición de partes móviles. Sustitúyala por una nueva bolsa si aparecen costuras sueltas o desgarramientos. Sustituya el dispositivo deslizante o el adaptador de la bolsa si aparece roto o agrietado.
9. Las cuchillas del cortacésped son afiladas y pueden producir cortes. Envuelva las cuchillas o utilice gruesos guantes de cuero y extreme la PRECAUCIÓN cuando las manipule.
10. NO compruebe la existencia de chispas basando la bujía junto al orificio de la bujía; la chispa podrá prender la gasolina que salga del motor.
11. Realice el mantenimiento de la máquina a través de un distribuidor al menos una vez al año y haga que el distribuidor le instale todo nuevo dispositivo de seguridad.
12. Solo use piezas de reposición autorizadas por la fábrica o partes similares al hacer reparaciones.

Montaje



ADVERTENCIA: Antes de realizar cualquier ensamblaje o mantenimiento al cortacésped, desconecte el cable de la bujía.

NOTA: En este manual de instrucciones, las indicaciones izquierda y derecha describen la ubicación de una pieza teniendo el usuario parado detrás del asidero.

Desempaque

El cortacésped se ensambló completamente en la fábrica. Cuando el cortacésped se colocó en la caja de cartón, el asidero se colocó en la posición de almacenamiento. Para colocar el asidero en la posición de operación, siga los siguientes pasos.

Asidero

1. Saque el cortacésped de la caja de cartón.
2. Remueva todo el material de empaque del cortacésped y el asidero.
3. Retire las tuercas de alas (A, Figura 1), las arandelas (no mostradas) y los pernos (B) de las abrazaderas izquierda y derecha del mango (C).

NOTA: No retire el juego inferior de aditamentos del mango (D).

4. Levante la manija inferior, alineándola con uno de los tres juegos de agujeros de los soportes de manija (C). Vuelva a instalar los pernos, arandelas y tuercas de alas.
5. Coloque la manija superior (A, Figura 2) en la posición operativa (hacia arriba). Apriete las tuercas mariposa (B).

NOTA: La altura del asidero puede ajustarse para comodidad del usuario. Vea "Ajuste de la altura del asidero".

PRECAUCION: Tenga cuidado al plegar o levantar el asidero. No dañe los cables. Un cable (mecánico) que está doblado no funcionará correctamente. Antes de utilizar la unidad, reemplace un cable dañado o doblado.

6. Oprima la palanca de parada del motor contra el asidero. (Consulte la sección titulada 'Palanca de parada del motor'). Hale lentamente el mango (A, Figura 3) del cable retráctil de arranque. Para sujetar el mango del cable retráctil de arranque a la guía (B) del cable, entrelace el cable a través de la guía de cable montada en el lado derecho del asidero.

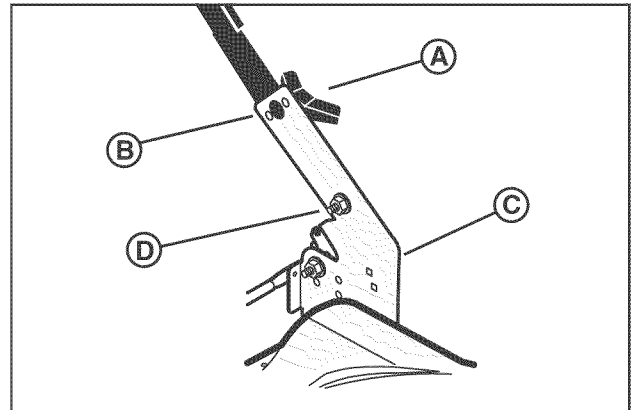


Figura 1: extensión de la manija inferior

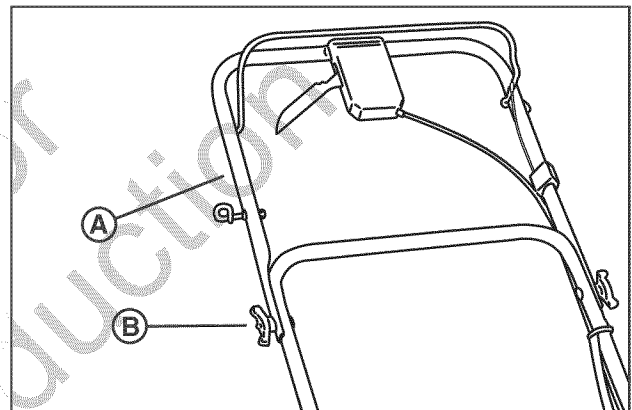


Figura 2: extensión de la manija superior

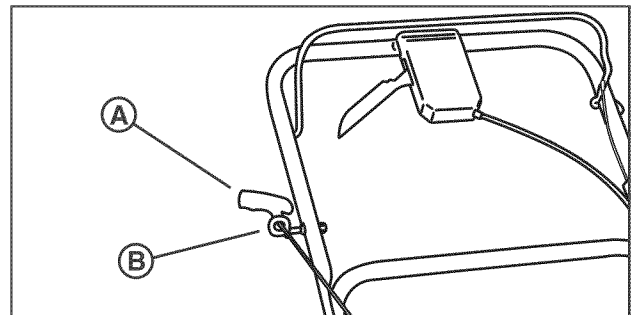


Figura 3: Sujeción del mango del cable retráctil de arranque

Ajuste de la altura de manejo

1. Retire las tuercas de alas (A, Figura 4), las arandelas (no mostradas) y los pernos (B) de las abrazaderas izquierda y derecha del mango (C).

NOTA: No retire el juego inferior de aditamentos del mango (D).

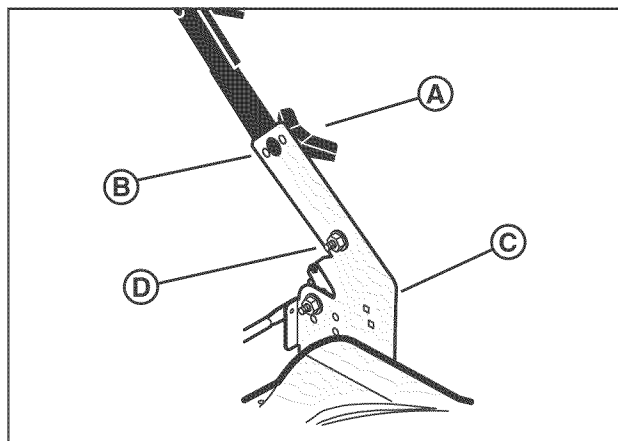


Figura 4: Retirada de los aditamentos de ajuste del mango

2. Ajuste el mango hasta un orificio de ajuste de altura inferior o superior (A, Figura 5).
3. Vuelva a instalar los pernos, arandelas y tuercas de alas retiradas en el Paso 1.

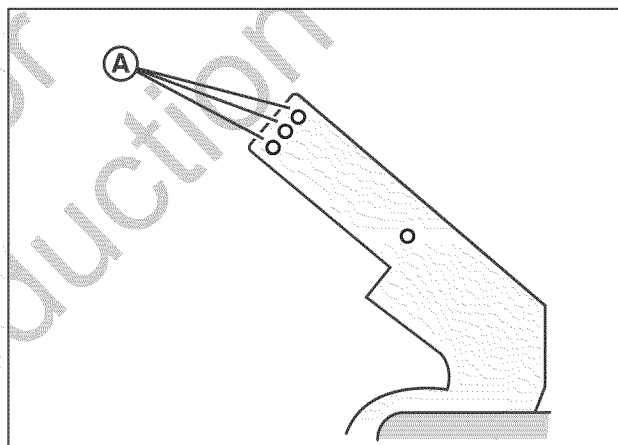


Figura 5: Orificios de ajuste de altura
(Componentes retirados para mayor claridad)

Montaje

Ensamblaje de la bolsa de césped (No todos los modelos)

NOTA: En algunos modelos, el deflector de descarga de montaje lateral se sujeta de manera temporal (para propósitos de envío) a la parte trasera del cortacésped. Antes de ensamblar la bolsa de césped, remueva el deflector de descarga de montaje lateral.

1. Deslice el armazón (A, Figura 6) dentro de la bolsa de césped (B). Verifique que la manija (C) esté en el lado exterior de la bolsa de césped.

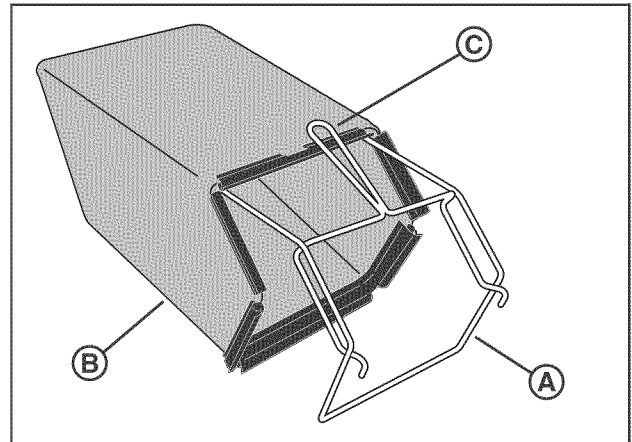


Figura 6: Instalación del armazón

2. Primero, sujete los ganchos (A, Figura 7) al costado del armazón. Luego, sujete los ganchos a la parte superior e inferior del armazón.

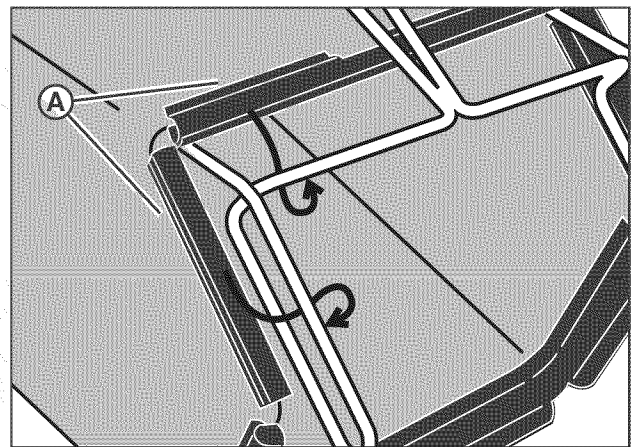


Figura 7: Instalación de los ganchos de la bolsa

Montaje de la bolsa de césped (No todos los modelos)

1. Para montar la bolsa de césped en el cortacésped, levante la puerta trasera (A, Figura 8). Desmonte el elemento de triturado (B).

Importante: El elemento de triturado solo debe desmontarse cuando se desea el empaçado en bolsa, y debe colocarse nuevamente tan pronto como se terminen las operaciones de empaçado en bolsa.

2. Sosteniendo la bolsa de césped mediante la manija (A, Figura 9), monte los ganchos (B) de ambos extremos del armazón de la bolsa de césped sobre la barra-pivote (C) de la puerta trasera. Baje la bolsa de césped contra la parte trasera del cortacésped. Baje la puerta trasera.

Importante: Verifique que ambos ganchos de la bolsa de césped están montados en la barra-pivote.

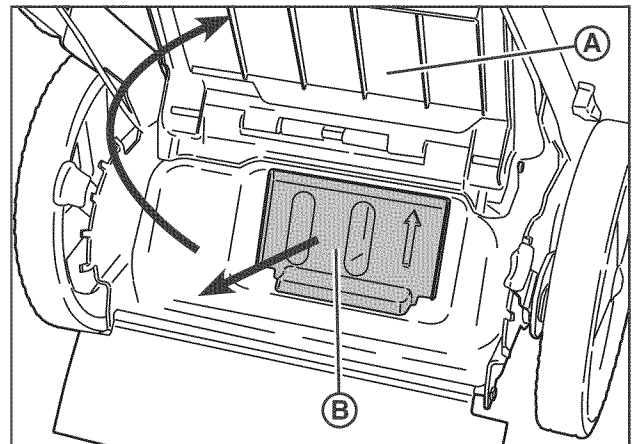


Figura 8: Desmontaje del elemento de triturado



ADVERTENCIA: Revise la condición de la bolsa de césped en cuanto a desgaste o deterioro. Si está desgastada o dañada, reemplace las piezas sólo con piezas de repuesto aprobadas por fábrica.

Vaciado de la bolsa de césped (No todos los modelos)



ADVERTENCIA: Antes de desmontar la bolsa de césped, detenga el motor. Antes de retirar césped de la cubierta del cortacésped, desconecte el cable de la bujía.

1. Levante la puerta trasera hasta la posición vertical.
2. Agarre la manija de la bolsa de césped y levante el armazón. Continúe levantando el armazón hasta que los ganchos ya no estén montados en la barra-pivote. Desmonte la bolsa de césped.
3. Vacíe el césped de la bolsa de césped.
4. Para montar la bolsa de césped en el cortacésped, vea "Montaje de la Bolsa de Césped".

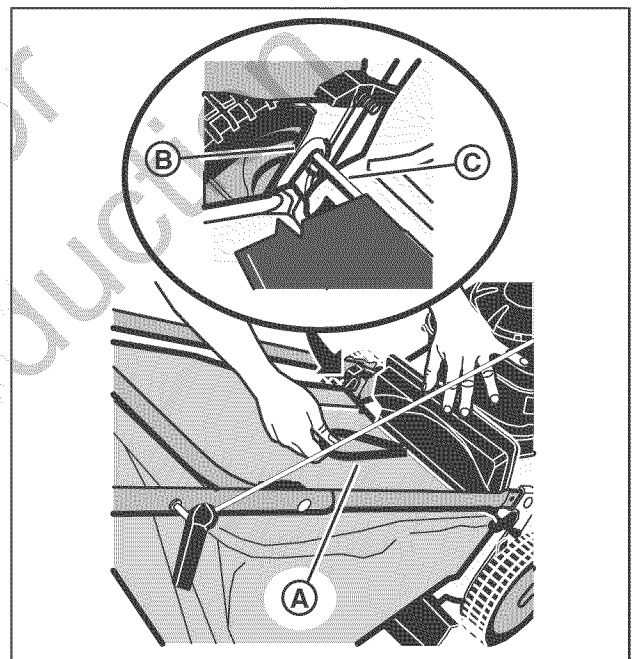


Figura 9: Montaje de la bolsa de césped

Montaje

Sujeción del deflector de descarga de montaje lateral



ADVERTENCIA: Para evitar que el motor arranque, desconecte el cable de la bujía.

Para propósitos de envío, no se instaló el deflector lateral. Localice el deflector lateral e instale de la siguiente manera.

1. Levante la cubierta del triturador (A, Figura 10).
2. Sujete el deflector lateral (B). Verifique que las lengüetas de enganche (C) atraviesa las ranuras en el deflector lateral.
3. Baje la cubierta del triturador (A, Figura 11).
4. Conecte el cable a la bujía.

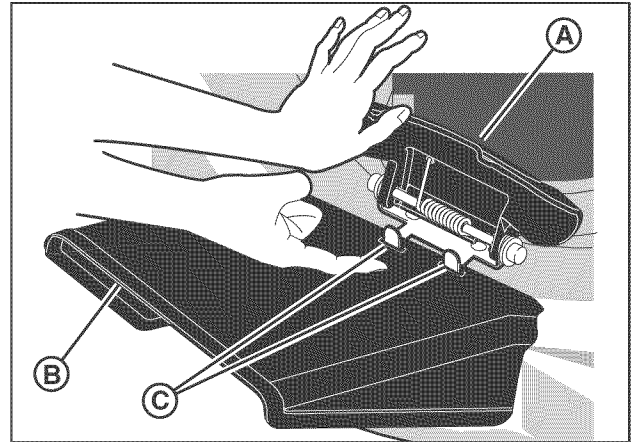


Figura 10: Instalación del deflector de descarga lateral

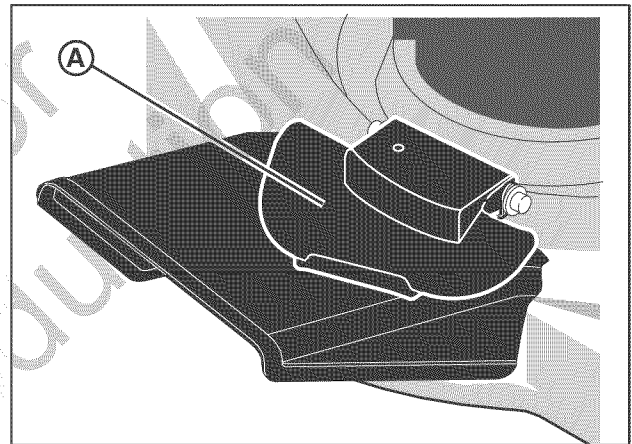


Figura 11: Liberación de la cubierta del triturador

Recomendaciones acerca del triturado

El triturador corta en trozos pequeños el césped para que el césped pueda reciclarse fácilmente. Ya que los nutrientes son regresados al suelo, el césped necesitará menos fertilizante. Para triturar correctamente el césped, siga las recomendaciones siguientes.

- El césped debe estar seco. Si el césped está húmedo, este será difícil de cortar y causará masas pesadas de césped.
- El césped no debe estar demasiado alto. La altura máxima para lograr un corte efectivo es de 4-1/2 pulgadas. Fije los ajustadores de altura de modo que sólo se corte la tercera parte superior del césped.
- Si el césped tiene una altura superior a 4-1/2 pulgadas, serán necesarias dos operaciones de corte con el cortacésped. Para la primera operación de corte con el cortacésped, fije los ajustadores de altura en la posición más alta. Luego, baje los ajustadores de altura para la segunda operación de corte con el cortacésped.

- Mantenga afilada la cuchilla. Una cuchilla que no está afilada provocará que los extremos del césped se vuelvan de color marrón.
- Limpie el lado de abajo de la cubierta del cortacésped. El césped y otros residuos pueden evitar que el cortacésped funcione correctamente.

Si la calidad del corte es secundaria, ensaye lo siguiente:

- Fije los ajustadores de altura en una altura de corte más alta.
- Corte el césped más frecuentemente.
- Maneje el cortacésped a una velocidad de avance más lenta.
- Traslape las franjas de corte en vez de cortar una franja completa con cada pasada.
- Corte dos veces el césped a través de las áreas de margen.

Preparar el motor

EL MOTOR NO CONTIENE ACEITE NI GASOLINA

Utilizando la botella de aceite suministrada en la caja de cartón, llene el motor con la cantidad de aceite apropiada. Vea las instrucciones del fabricante del motor para averiguar el tipo de gasolina y aceite que se debe utilizar. Antes de utilizar la unidad, lea la información sobre seguridad, operación, mantenimiento y almacenamiento.



ADVERTENCIA: Siga las instrucciones del fabricante del motor para averiguar el tipo de gasolina y aceite que se debe utilizar. Siempre utilice un recipiente de seguridad para la gasolina. No fume mientras se agrega gasolina al tanque de combustible. Cuando se está dentro de un lugar cerrado, no llene con gasolina. Antes de agregar la gasolina, detenga el motor. Permita que el motor se enfríe durante varios minutos.

NOTA: La operación de un motor nuevo algunas veces provocará una leve cantidad de humo. Este humo es causado por pintura o aceite en o alrededor del silenciador. Esto es normal y sólo se espera durante la operación inicial.

IMPORTANTE: Esta unidad está equipada con un motor de combustión interna y no debe utilizarse en o cerca de ninguna área de bosque o cubierta con maleza, a menos que el sistema de escape del motor esté equipado con un supresor de chispas que cumpla las leyes locales o estatales aplicables (si existen). Si se utiliza un supresor de chispas, éste debe ser mantenido en buen estado de funcionamiento por parte del operador.

En el Estado de California lo anterior es exigido por ley (Sección 4442 del Código de Recursos Públicos de California). Otros estados podrían tener leyes similares. Las leyes federales se aplican en territorios federales. Visite un Centro de Servicio Autorizado para conseguir un supresor de chispas para el silenciador.

NOTA: Es posible que la potencia real sostenida del motor sea inferior debido a limitaciones operativas y factores del medio ambiente.

Preparación final

Antes de utilizar el cortacésped, revise las ruedas, el asidero y los controles. Verifique que todos los tornillos están apretados. Verifique que el control del acelerador (en caso de tenerlo) y la palanca de parada del motor funcionan correctamente.

Si el cortacésped está equipado con ajustadores de altura, verifique que los ajustadores de altura funcionan apropiadamente. Antes de arrancar el motor, verifique que cada ajustador de altura está fijado en la altura deseada. Vea "Ajuste de la Altura de Corte" en las secciones de Mantenimiento.

Manejo

Palanca de parada del motor

Libere la palanca de parada del motor (A, Figura 12) y el motor y la cuchilla se detendrán automáticamente. Para mantener en funcionamiento el motor, sostenga la palanca de parada del motor en la posición de operación (B).

Antes de arrancar el motor, accione varias veces la palanca de parada del motor. Verifique que el cable se mueve fácilmente.

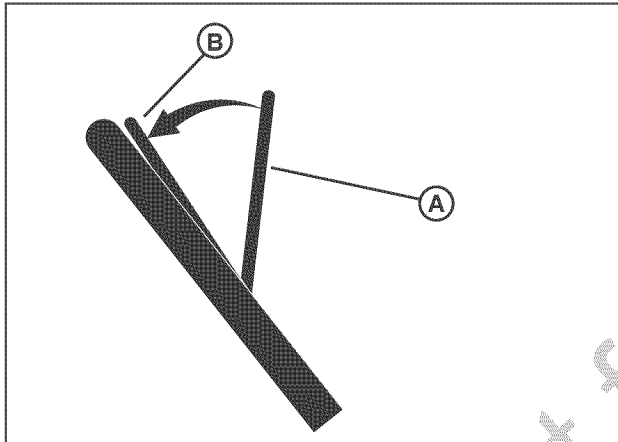


Figura 12: Operación de la palanca de parada del motor



ADVERTENCIA: Para una operación segura, el sistema de tracción debe desactivarse inmediatamente cuando se libera la palanca del sistema de tracción. Si el sistema de tracción no se desactiva correctamente, no opere el cortacésped hasta que el sistema de tracción sea ajustado o reparado por un centro de servicio autorizado.

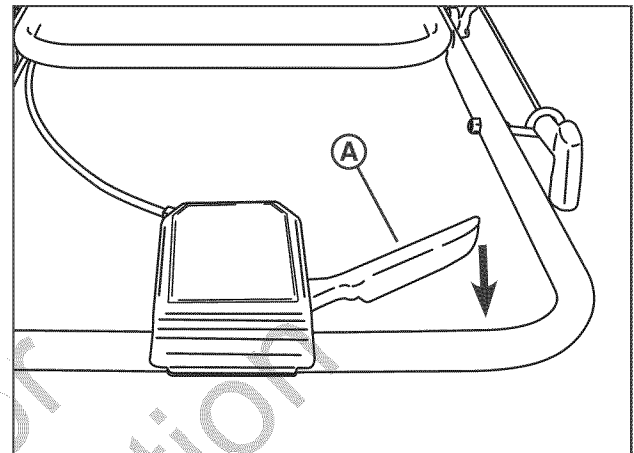


Figura 13: Operación del sistema de tracción de las ruedas

Sistema de tracción (propulsión)

El cortacésped tiene un sistema de tracción de las ruedas. Maneje el sistema de tracción de la siguiente manera.

1. Sostenga la palanca de parada del motor (A, Figura 12) en la posición de operación (B).
2. Tire lentamente de la palanca de tracción (A, Figura 13) hacia atrás. El sistema de transmisión está ahora acoplado.
Para aumentar la velocidad de tierra, tire lentamente de la palanca de tracción más hacia atrás. Para disminuir la velocidad de tierra, suelte lentamente la palanca de tracción.
3. Para desactivar el sistema de tracción y detener el motor, libere completamente la palanca de parada del motor.
4. Para desacoplar sólo el sistema de transmisión, libere la palanca de tracción. El sistema de tracción se desactivará pero el motor continuará en funcionamiento.

NOTA: Cuando el sistema de tracción está desactivado en una unidad nueva, es posible que las ruedas giren si se levantan del suelo. Esto es normal y dejará de suceder después de una o dos horas de operación.

Parada del motor

Para detener el motor, libere la palanca de parada del motor. Desconecte el cable (eléctrico) de la bujía para evitar que el motor arranque.

Antes de arrancar el motor, revise el cable (mecánico) de parada del motor. Verifique que el cable de parada del motor está ensamblado correctamente. Antes de operar la unidad, reemplace un cable de parada de motor, dañado o doblado.

Encendido del motor



ADVERTENCIA: La cuchilla girará cuando el motor se ponga en funcionamiento.

IMPORTANTE: Antes de arrancar el motor, accione varias veces la palanca de parada del motor. Verifique que el cable de parada del motor se mueve libremente.

NOTA: El diseño del motor no incluye un control del acelerador o un ajuste de la velocidad del motor. El motor está ajustado en la mejor velocidad para el corte de césped, para el empacado en bolsa del césped y para una vida útil prolongada del motor.

NOTA: Los modelos equipados con motores Ready Start™ no tienen botón cebador. Vea las instrucciones del fabricante del motor para obtener información adicional.

1. Revise el nivel de aceite.
2. Llene el tanque de combustible con gasolina normal sin plomo. Verifique que la gasolina está limpia. La gasolina con plomo aumentará los depósitos y acortará la vida de las válvulas.

NOTA: No utilice gasohol ni metanol. No utilice gasolina premium sin plomo.



ADVERTENCIA: Siempre utilice un recipiente de seguridad para la gasolina. No fume mientras agrega gasolina al tanque de combustible. Cuando se está dentro de un lugar cerrado, no agregue gasolina. Antes de agregar gasolina, detenga el motor y permita que el motor se enfríe durante varios minutos.

3. Verifique que el cable de la bujía está conectado a la bujía.
4. Sólo los modelos autopropulsados - Verifique que la palanca del sistema de tracción está en la posición desactivada.



ADVERTENCIA: Para evitar un accidente, verifique que la palanca del sistema de tracción está en la posición DESACTIVADA (DISENGAGED). Cuando la palanca del sistema de tracción está en la posición ACTIVADA (ENGAGED), no arranque el motor.

5. Párese detrás del cortacésped. Utilice una mano para sostener la palanca de parada del motor en la posición de operación (A, Figure 14).
6. Arranque el cortacésped: Hale el mango (B) del cable de arranque para encender el motor.
7. Después que el motor arranque, permita un breve periodo de calentamiento hasta que el motor funcione suavemente antes de iniciar la operación del cortacésped.

8. Si el motor no arranca en 5 o 6 intentos, vea las instrucciones "Solución de problemas".

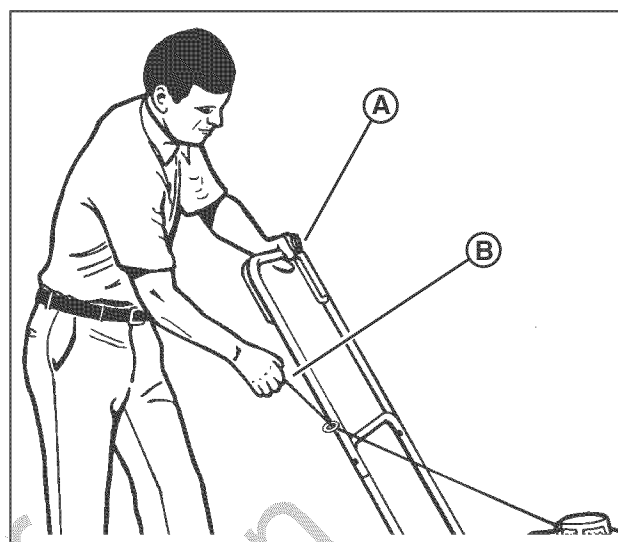


Figura 14: Arranque del motor

Reglas para un manejo seguro y efectivo

Consulte la sección 'Manejo Seguro' de este manual para obtener reglas importantes relacionadas con el manejo seguro y efectivo del cortacésped.

Mantenimiento

Tabla de mantenimiento



ADVERTENCIA: Antes de realizar una inspección, ajuste (excepto el carburador) o reparación; detenga el motor y desconecte el cable de la bujía.

CORTACÉSPED
Cada 8 horas o diariamente
Revisar el palanca de parada del motor
Limpiar los desechos del cortacésped
Cada 25 horas o anualmente *
Revisar cortacésped por si tuviesen piezas sueltas
Cada 50 horas o anualmente *
Limpiar la batería y el cableado (si equipado)
Consulte al distribuidor cada año para
Lubricar el cortacésped
Revisar la correa del cortacésped
Revisar la cuchilla del cortacésped **
Comprobar el tiempo de detención de la cuchilla de la segadora

* Lo que ocurra en primer lugar.

**Revise la cuchilla más a menudo en regiones que tengan suelos arenosos y en condiciones en las que exista mucho polvo.

MOTOR
Primeras 5 horas
Cambiar el aceite del motor
Cada 8 horas o diariamente
Comprobar el nivel de aceite del motor
Cada 25 horas o anualmente *
Limpiar el filtro y el depurador de aire del motor (si equipado) **
Cada 50 horas o anualmente *
Cambiar el aceite del motor
Sustituir el filtro de aceite (si equipado)
Anualmente
Sustituir el filtro de aire
Sustituir el depurador (si equipado)
Consulte al distribuidor cada año para
Inspeccionar el silenciador y la pantalla antichispas (si equipado)
Sustituir la bujía
Sustituir el filtro de combustible (si equipado)
Limpiar el sistema de refrigeración de aire del motor

* Lo que ocurra en primer lugar

**En condiciones en las que exista polvo o suciedad en forma de partículas en suspensión, limpiar más a menudo.

Mantenimiento del motor

Utilice la siguiente sección de Mantenimiento para mantener su unidad en buenas condiciones de funcionamiento. Toda la información de mantenimiento para el motor está en el "Manual de Instrucciones del Motor". Antes de arrancar el motor, lea este manual.



ADVERTENCIA: Antes de realizar una inspección, ajuste (excepto el carburador) o reparación; detenga el motor y desconecte el cable de la bujía.

Inclinación del motor

Cuando usted suministre servicio de mantenimiento al motor, inspeccione la cuchilla, o limpie el lado de abajo de la cubierta del cortacésped; asegúrese de inclinar el motor siempre teniendo arriba la bujía (Figura 15). El transporte o inclinación del motor con la bujía abajo causará:

- Arranque difícil.
- Ahumado del motor.
- Ensuciado de la bujía.
- Saturación de aceite o gasolina del filtro de aire.

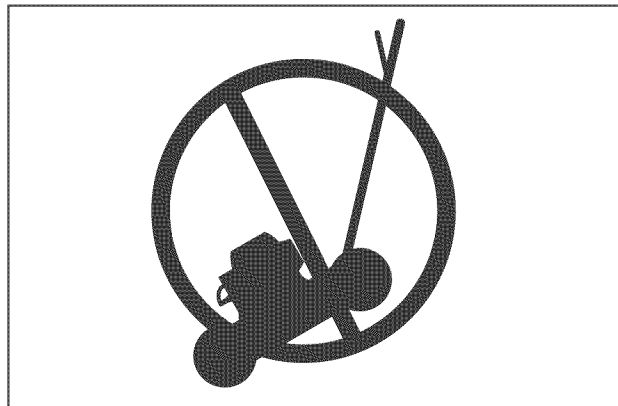


Figura 15: No incline hacia adelante el motor

Lubricación

1. Para máximo desempeño, lubrique con aceite de motor, cada 25 horas, las ruedas y todos los puntos de pivote.
2. Para lubricar el motor, consulte el "Manual de Instrucciones del Motor".

NOTA: No lubrique el cable de parada del motor. Los lubricantes dañarán el cable y evitarán que el cable se mueva libremente. Reemplace el cable si está doblado o dañado.

Ajuste de la altura de corte



ADVERTENCIA: La cuchilla girará cuando el motor se ponga en funcionamiento. Antes de cambiar la altura de corte, detenga el motor y desconecte el cable de la bujía.

Para cambiar la altura de corte, mueva la posición del brazo ajustador en cada rueda (A, Figura 16). Verifique que cada brazo ajustador está en la misma posición de modo que el cortacésped cortará de manera nivelada.

1. Desenganche el brazo ajustador.
2. Mueva el brazo ajustador a otra posición.

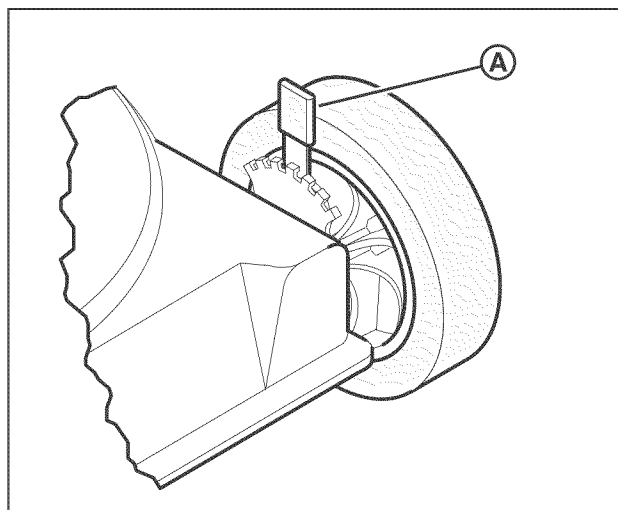


Figura 16: Ajuste de la altura de corte

Mantenimiento

Ajuste del cable del sistema de tracción de las ruedas



ADVERTENCIA: Antes de ajustar el cable del sistema de tracción de las ruedas, libere la palanca de parada del motor y espere que el motor se detenga.

Si el sistema de tracción no se activa y desactiva correctamente, revise el asidero en cuanto a ensamblaje correcto. Verifique que todas las piezas están en buenas condiciones, que no están rotas ni dobladas, y que todos los tornillos están apretados.

Las piezas desgastadas y el cable alargado cambiarán el funcionamiento del sistema de tracción de las ruedas. Al cortar el césped en césped alto o grueso, o en terrenos inclinados, el sistema de tracción puede deslizarse. Si el sistema de tracción se está deslizándose, ajuste de la siguiente manera o lleve el cortacésped a un centro de servicio autorizado.

IMPORTANTE: Antes de arrancar el motor, accione varias veces la palanca de parada del motor. Verifique que el cable de parada del motor se mueve libremente.

NOTA: El diseño del motor no incluye un control del acelerador o un ajuste de la velocidad del motor. El motor está ajustado en la mejor velocidad para el corte de césped, para el empacado en bolsa del césped y para una vida útil prolongada del motor.

1. Si el sistema de tracción se está deslizándose, afloje la contratuerca (B, Figura 17) en la tensor de ajuste (A), y gire el casquillo (C) media (1/2) vuelta en la dirección mostrada. Pruebe el sistema de tracción y revise en cuanto al deslizamiento.
2. Si el sistema de tracción sigue deslizándose, ajuste nuevamente. Nuevamente, pruebe el sistema de tracción.
3. Repita el ajuste y pruebe hasta que el sistema de tracción no se deslice.
4. Antes de empezar a cortar el césped, verifique que el sistema de tracción se desactiva correctamente y que el cortacésped se detiene. Si el sistema de tracción no se desactiva, lleve el cortacésped a un centro de servicio autorizado antes de colocarlo en funcionamiento.

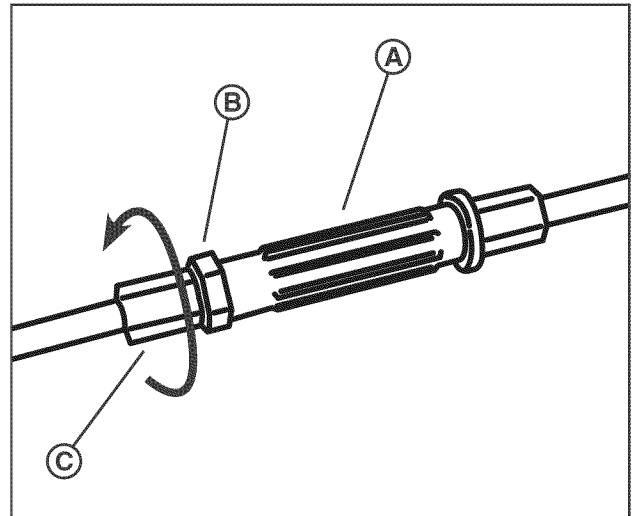


Figura 17: Ajuste del cable del sistema de tracción de las ruedas

Servicio de mantenimiento de la cuchilla



ADVERTENCIA: Antes de inspeccionar la cuchilla o el adaptador de cuchilla, desconecte el cable de la bujía. Si la cuchilla golpea un objeto, detenga el motor. Desconecte el cable de la bujía. Revise la unidad en busca de daños.

Revise frecuentemente la cuchilla en cuanto a desgaste o daño tales como grietas. Revise frecuentemente el perno que sostiene la cuchilla. Mantenga apretado el perno. Si la cuchilla golpea un objeto, detenga el motor. Desconecte el cable de la bujía. Revise el adaptador (A, Figura 18) de la cuchilla en cuanto a daño. Revise en busca de una cuchilla doblada o dañada, una cuchilla gravemente desgastada, u otro daño. Antes de operar la unidad, las piezas dañadas deben reemplazarse con piezas de repuesto de fábrica. Por seguridad, reemplace cada dos años la cuchilla. Mantenga afilada la cuchilla. Una cuchilla que no está afilada provocará que los extremos del césped se vuelvan de color marrón. Desmonte la cuchilla de la siguiente manera.

Desmontaje de la cuchilla



ADVERTENCIA: Antes de desmontar la cuchilla, desconecte el cable de la bujía. La cuchilla tienen bordes cortantes. Al sostener la cuchilla, utilice guantes o tela para proteger sus manos.

1. Drene el tanque de combustible.
2. Levante el lado del cortacésped que tiene el silenciador o la bujía.
3. Utilice un trozo de madera para evitar que la cuchilla gire.
4. Remueva el perno (B, Figura 18) que sostiene la cuchilla, mediante una llave de 9/16" (14 mm).
5. Revise la cuchilla (C) de acuerdo con las instrucciones de "Servicio de Mantenimiento de la Cuchilla". Reemplace una cuchilla gravemente desgastada o dañada con una cuchilla de repuesto de fábrica.
6. Monte la cuchilla con los bordes curvos dirigidos hacia la cubierta. Si la cuchilla está invertida, la cuchilla no cortará correctamente y puede causar un accidente.
7. Sujete la cuchilla con la arandela (D) original y el perno. Verifique que el borde exterior de la arandela Belleville está dirigida hacia la cuchilla.
8. Apriete el perno que sostiene la cuchilla hasta un apriete de 30 libras-pie.



ADVERTENCIA: Siempre mantenga apretado el perno que sostiene la cuchilla. Una cuchilla o perno flojo pueden causar un accidente.

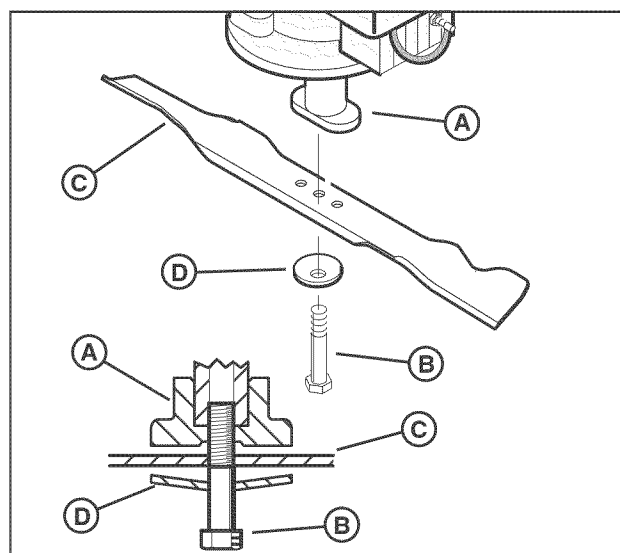


Figura 18: Desmontaje de la cuchilla

Afilado de la cuchilla



ADVERTENCIA: La vibración es el resultado de una cuchilla que no está balanceada correctamente. Una cuchilla que está dañada con grietas puede romperse y causar un accidente.

1. Afile la cuchilla dos veces al año o cada 25 horas.
2. Si la cuchilla está en la unidad, no la afile. Desmonte la cuchilla de acuerdo con las instrucciones en "Desmontaje de la Cuchilla".
3. Limpie la cuchilla con un cepillo, jabón y agua. Revise la cuchilla. Inspeccione en busca de grietas, picaduras u otros daños. Reemplace una cuchilla que está gravemente desgastada, doblada, o dañada, con una cuchilla de repuesto de fábrica.
4. Afile la cuchilla (A, Figura 19, siguiente página) con una lima (B). Asegúrese de mantener el borde de corte biselado original (Figura 30).
5. Verifique que la cuchilla está balanceada. Utilice un destornillador (C) y sostenga la cuchilla de manera paralela al suelo (D) según se muestra. Una cuchilla que está balanceada permanecerá paralela al suelo. Si la cuchilla no está balanceada, el extremo pesado girará hacia el suelo. Afile el extremo pesado hasta que la cuchilla esté balanceada.
6. Una cuchilla nueva cortará mejor que una cuchilla gravemente desgastada. Cada dos años, reemplace la cuchilla vieja con una cuchilla de repuesto de fábrica.

Verificación del nivel de corte

Pruebe la unidad en una área pequeña. Si la altura de corte no está nivelada o si el césped cortado no se descarga, la causa puede ser: (1) la cuchilla está doblada o dañada, (2) la cuchilla no está afilada, (3) una cuchilla desgastada, (4) o un adaptador de cuchilla roto. Antes de utilizar la unidad, corrija el problema.

Mantenimiento

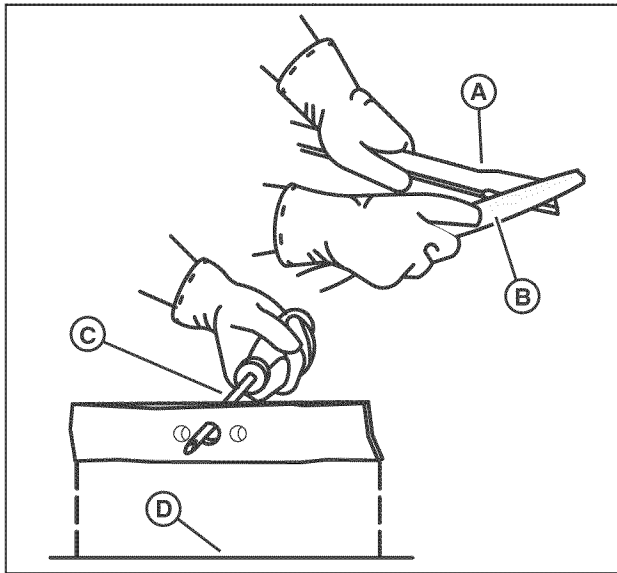


Figura 19: Afilado de la cuchilla

Limpeza de la cubierta del cortacésped



ADVERTENCIA: La cuchilla girará cuando el motor se ponga en funcionamiento. Antes de limpiar la cubierta del cortacésped, detenga el motor y desconecte el cable de la bujía.

El césped y otros residuos pueden evitar que el cortacésped funcione correctamente. Después de cortar el césped, limpie la cubierta del cortacésped, de la siguiente manera.

1. Detenga el motor.
2. Desconecte el cable de la bujía.
3. Limpie la suciedad y los residuos de la parte superior e inferior de la cubierta del cortacésped. Limpie con jabón y agua. Remueva con un trapo el exceso de agua antes de almacenar la unidad.

Puerto de deslave



ADVERTENCIA: Use una protección ocular adecuada.



ADVERTENCIA: Mantenga a las personas y los animales domésticos lejos de la zona de trabajo.

El puerto de deslave le permite limpiar la parte inferior de la carcasa del cortacésped sin usar las manos. Para usar el puerto de deslave:

1. Asegúrese de que la bolsa para hierba y el deflector de descarga lateral estén quitados y que el tapón de cubrición de suelos esté instalado.
2. Ajuste la altura de corte hasta la posición más baja. Consulte la sección "Ajuste de la altura de corte" de este manual.
3. Mueva el cortacésped a una superficie lisa y nivelada de cemento o pavimentada.
4. Detenga el motor
5. Conecte el extremo macho de una manguera estándar con el conector del puerto de deslave (A, Figura 20, página siguiente).
6. Sitúe en posición ON (encendido) el suministro de agua para la manguera.
7. Arranque el motor y deje que funcione hasta que no salga más suciedad de debajo de la carcasa del cortacésped.



ADVERTENCIA: Manténgase detrás del mango mientras el motor esté funcionando.

8. Detenga el motor
9. Sitúe en posición OFF (apagado) el suministro de agua para la manguera.
10. Desconecte la manguera del conector del puerto de deslave.
11. Arranque el motor y deje que funcione durante 2-3 minutos para permitir que se seque la parte inferior de la carcasa del cortacésped.



ADVERTENCIA: No intente realizar operaciones de corte mientras se usa el puerto de deslave.



ADVERTENCIA: No intente mirar o tocar la parte inferior de la carcasa del cortacésped bajo ninguna circunstancia mientras se usa el puerto de deslave. Pueden producirse lesiones graves.

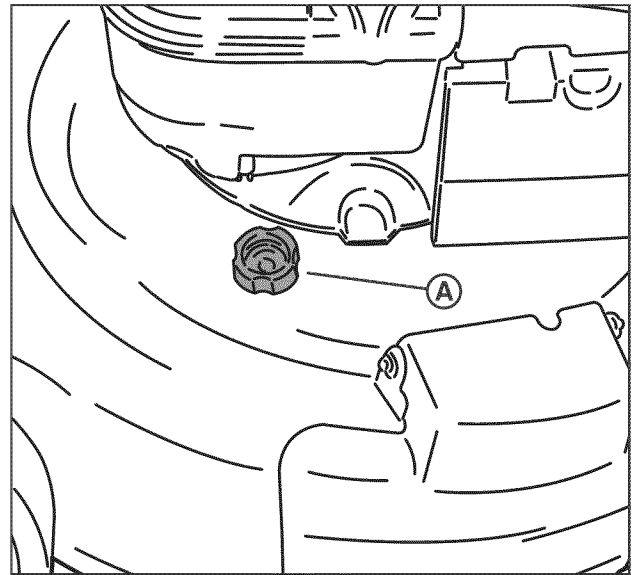


Figura 20: Puerto de deslave

Preparación del cortacésped para almacenamiento



ADVERTENCIA: No extraiga gasolina mientras se está en el interior de una edificación, cerca de una llama, o mientras usted fuma. Los vapores de la gasolina pueden causar una explosión o un incendio.

1. Drene el tanque de combustible.
2. Permita que el motor permanezca en funcionamiento hasta que se le agote la gasolina.
3. Drene el aceite del motor caliente. Llene el cárter del motor con aceite nuevo.
4. Remueva la bujía del cilindro. Vierta una onza de aceite dentro del cilindro. Hale lentamente el mango del cable retráctil de arranque para que el aceite proteja el cilindro. Instale una bujía nueva en el cilindro.

5. Limpie la suciedad y residuos de las aletas de enfriamiento del cilindro y de la carcasa del motor.
6. Limpie la parte inferior de la cubierta del cortacésped.
7. Verifique que la bolsa de césped está vacía. El césped que permanece en la bolsa durante el almacenamiento dañará la bolsa.
8. Limpie completamente el cortacésped para proteger la pintura.
9. Pliegue el asidero (si se desea).

PRECAUCION: Tenga cuidado al plegar o levantar el asidero. No dañe los cables. Un cable (mecánico) que está doblado no funcionará correctamente. Antes de utilizar la unidad, reemplace un cable dañado o doblado.

10. Coloque la unidad en una edificación que tenga buena ventilación.

Solución de problemas

El motor no arranca.

1. Verifique que el tanque de combustible está lleno con gasolina limpia. No utilice gasolina vieja.
2. El conector de cables está desconectado. Conecte el conector de cables.
3. Verifique que el cable (eléctrico) de la bujía está conectado a la bujía.
4. Hay demasiada gasolina en el cilindro del motor. Remueva y seque la bujía. Hale varias veces el mango del cable retráctil de arranque. Instale la bujía. Conecte el cable a la bujía. Arranque el motor.
5. El motor es difícil de arrancar en césped alto o pesado. Mueva el cortacésped hacia una superficie seca y limpia.
6. Verifique que la palanca de parada del motor está en la posición de operación.

El motor no se detiene.

1. Libere la palanca de parada del motor.
2. Revise el cable (mecánico) de parada del motor. Reemplace el cable si está doblado o dañado.

El funcionamiento del motor es defectuoso.

1. Revise los ajustes de la altura de corte. Aumente la altura de corte si el césped es alto.
2. Revise la parte inferior de la cubierta de la cuchilla. Limpie la cubierta de la cuchilla para remover césped y otros residuos.
3. Revise el cable de la bujía. Verifique que el cable está conectado.
4. Limpie las aletas de enfriamiento del motor para remover césped y otros residuos.
5. Revise la separación entre electrodos de la bujía. Consulte el Manual del Motor..
6. Verifique la cantidad de aceite en el motor. Llene con aceite si es necesario.
7. Revise el filtro de aire del motor. Consulte el Manual del Motor.
8. La gasolina está deficiente. Drene y limpie el tanque de combustible. Llene el tanque de combustible con gasolina limpia.

Vibración excesiva.

1. Desmonte la cuchilla. Revise la cuchilla y el balance si es necesario. Vea las instrucciones de mantenimiento de la cuchilla.
2. Revise en busca de una cuchilla doblada o rota. Una cuchilla dañada es peligrosa y debe reemplazarse.
3. Revise el adaptador de la cuchilla. Reemplace un adaptador de cuchilla roto.
4. Si la vibración continúa, lleve el cortacésped a un Centro de Servicio Autorizado.

El césped no se descarga correctamente.

1. Limpie la parte inferior de la cubierta del cortacésped.
2. Revise en busca de una cuchilla gravemente desgastada. Desmonte y afile la cuchilla. Por seguridad, reemplace la cuchilla cada dos años con una cuchilla de repuesto de fábrica.

El césped no se corta de manera uniforme.

1. Revise el ajuste de altura en cada rueda. El ajuste de altura debe ser el mismo para cada rueda.
2. Verifique que la cuchilla está afilada.
3. Revise en busca de una cuchilla doblada o rota. Una cuchilla dañada es peligrosa y debe reemplazarse.
4. Revise en busca de un adaptador de cuchilla roto. Reemplace un adaptador de cuchilla roto.

BRIGGS & STRATTON POWER PRODUCTS GROUP, L.L.C. PÓLIZA DE GARANTÍA DEL PROPIETARIO

GARANTÍA LIMITADA

Briggs & Stratton Power Products Group, LLC reparará y/o reemplazará, sin cargo, cualquier pieza del equipo que esté defectuosa en material o fabricación o ambos. Briggs & Stratton Corporation reparará y/o reemplazará, sin cargo, cualquier pieza del motor* de Briggs and Stratton (si está equipado con éste) que esté defectuosa en material o fabricación o ambos. El comprador debe cubrir los gastos de transporte del producto que se envíe para reparación o reemplazo según esta garantía. Esta garantía está en vigencia por los períodos y sujeta a las condiciones que se establecen más adelante. Para el servicio de garantía, busque el distribuidor de servicio autorizado más cercano usando el mapa localizador de distribuidores en www.BriggsandStratton.com o www.Snapper.com.

No existe otra garantía expresa. Las garantías implícitas, inclusive aquellas de comerciabilidad y de idoneidad para un propósito en particular se limitan a un año a partir de la fecha de compra o hasta los límites permitidos por la ley. La responsabilidad por daños directos o emergentes está excluida según lo permita la ley.

Algunos estados o países no permiten limitaciones sobre la duración de una garantía implícita y algunos estados o países no permiten la exclusión o limitación de daños directos o indirectos, por lo que puede que la limitación y exclusión anterior no se aplique a usted. Esta garantía le otorga derechos legales específicos y también podría ejercer otros derechos que varían según el estado o el país.

PERÍODO DE LA GARANTÍA

Elemento	Uso de consumo	Uso comercial:
Equipo	2 años	90 días
Motor*	2 años	90 días
Batería	1 año	1 año

El período de garantía comienza en la fecha de compra por el primer usuario final de consumo minorista o comercial, y continúa durante el período de tiempo que se indica anteriormente. "Uso de consumo" significa uso doméstico residencial personal por un consumidor minorista. "Uso comercial" significa todos los otros usos, lo que incluye el uso para propósitos comerciales, generar ingresos o alquiler. Una vez que el producto se haya usado para fines comerciales, de ahí en adelante se considerará como para uso comercial a efectos de esta garantía.

No es necesario registrar la garantía para obtener el servicio de garantía para productos Briggs & Stratton. Guarde el recibo del comprobante de la compra. Si no proporciona un comprobante de la fecha de compra inicial en el momento en que se solicite el servicio de garantía, se usará la fecha de fabricación del producto se usará para determinar si tiene derecho a la garantía.

ACERCA DE LA GARANTÍA

Aceptamos las reparaciones por el servicio de garantía y nos disculpamos por las molestias. El servicio de garantía se encuentra disponible solamente a través de concesionarios de servicio autorizados por Briggs & Stratton o BSPPG, LLC.

La mayoría de las reparaciones por el servicio de garantía se gestionan de manera rutinaria, aunque en ocasiones puede que las solicitudes de servicio de garantía no sean adecuadas. Esta garantía solamente cubre defectos de material o fabricación. No cubre los daños ocasionados por un uso incorrecto o un mal uso, un mantenimiento o unas reparaciones inadecuadas, el desgaste y la rotura propios del uso, o el uso de un combustible en mal estado o no aprobado.

Uso no adecuado y mal uso - El uso correcto y para el que se ha concebido este equipo se describe en el manual del usuario. Si el producto no se usa de la manera que se describe en el manual del usuario o si el producto se usa después de que haya resultado dañado, quedará anulada la garantía. La garantía queda anulada si se ha borrado el número de serie del producto o el producto ha sido modificado de alguna manera, o si el producto presenta indicios de haber sido usado incorrectamente, por ejemplo, daños producidos por un impacto, o daños producidos por corrosión química/agua.

Reparación o mantenimiento incorrectos - Este producto debe mantenerse de acuerdo con los procedimientos y el calendario que se proporcionan en el manual del usuario, y debe ser reparado usando para ello piezas originales de Briggs & Stratton. La garantía no cubre los daños ocasionados por la falta de mantenimiento o el uso de piezas no originales.

Desgaste normal - Como otros dispositivos mecánicos, su unidad está sujeta a un desgaste incluso si se realiza en ella un mantenimiento correcto. Esta garantía no cubre las reparaciones cuando el uso normal ha agotado la vida útil de una pieza o del equipo. Las piezas que sufren desgaste y que deben someterse a programas de mantenimiento tales como los filtros, la correas, las cuchillas de corte y las zapatas del freno (las zapatas del freno del motor están cubiertas por la garantía) no están cubiertas por la garantía debido a que únicamente pueden desgastarse, a menos que el origen del desgaste sean defectos en el material o en la fabricación.

Combustible en mal estado - Para que este producto funciona correctamente, se necesita combustible fresco (reciente) que cumpla los criterios especificados en el manual del usuario. Los daños ocasionados por el combustible viejo (en mal estado), como fugas en el carburador, tubos de combustible obstruidos, válvulas obstruidas, etc. no están cubiertos por la garantía.

* Esto sólo se aplica a los motores de Briggs and Stratton. La cobertura de la garantía de los motores no fabricados por Briggs and Stratton la ofrece el fabricante del motor.

GUÍA PARA MANEJAR EN PENDIENTES

APUNTE Y SOSTENGA ESTA GUÍA A NIVEL CON UN ÁRBOL VERTICAL, LA ESQUINA DE UNA ESTRUCTURA, UN POSTE DE ENERGÍA ELÉCTRICA O UNA VALLA.



Para determinar si no es peligroso cortar el césped en una pendiente cuando maneja un tractor cortacésped: (1) desengrane la cuchilla(s), (2) ponga la máquina en marcha atrás, y (3) pruebe ascender la pendiente retrocediendo en línea recta. Si puede hacerlo, por lo general no es peligroso cortar el césped. Sin embargo, si no se siente seguro, o no está totalmente convencido, use esta guía y no corte el césped en una pendiente que sea mayor que 15 grados. Si está usando el tractor cortacésped con un accesorio remolcado o de montaje trasero, no lo maneje en una pendiente que sea mayor que 10 grados.

Una pendiente de 15 grados es un cerro cuya altura aumenta aproximadamente 2.5 pies en 10 pies.

Una pendiente de 10 grados es un cerro cuya altura aumenta aproximadamente 1.7 pies en 10 pies.



Preste mucha atención en todo momento, y evite los virajes o maniobras bruscas. Para su seguridad, respete otras instrucciones encontradas en este manual mientras corta césped en pendientes. Maneje el tractor cortacésped de subida o bajada en las pendientes, nunca a lo ancho de las mismas. Maneje el cortacésped de empuje a lo ancho de las pendientes, nunca subiendo o bajando. Sea sumamente cuidadoso cuando maneje en o cerca de pendientes y obstrucciones.

SNAPPER®

Cortacésped Walk Behind autopropulsado de 22"

Especificaciones del Producto	SPV2270HW / NSPV2270HW	SPV22725HW
Tamaño de plataforma (pulg.)	22	22
Altura de corte (pulg.)	1.25 - 4	1.25 - 4
Tipo de transmisión	Velocidad/Relación variable	Velocidad/Relación variable
Velocidad de avance (mph)	0 - 4.2	0 - 4.2
Potencia del motor (pies-lbs)	7.00	7.25
Cilindrada del motor (cc)	190	190
Capacidad del tanque de combustible (cuarto de galón)	1.0	1.0

Clasificación de la potencia del motor: La clasificación de potencia bruta para el modelo de motor de gasolina individual está etiquetada de acuerdo con el código J1940 (Small Engine Power & Torque Rating Procedure) de la SAE (Society of Automotive Engineers), y la clasificación de rendimiento ha sido obtenida y corregida de conformidad con SAE J1995 (Revisión 2002-05). Los valores de torsión se derivan a 3060 RPM. Los valores de los caballos de fuerza se derivan a 3600 RPM. Las curvas de potencia bruta se pueden ver en www.BRIGGSandSTRATTON.COM. Los valores de potencia neta se obtienen con el filtro de aire y la ventilación instalados mientras que los valores de la potencia bruta se reúnen sin estos accesorios instalados. La potencia bruta efectiva del motor será superior a la de la potencia del motor y se verá afectada por, entre otros elementos, las condiciones ambientales de funcionamiento y variabilidad entre motores. Dado el amplio conjunto de productos en que se colocan los motores, el motor de gasolina no desarrollará la potencia bruta clasificada cuando se utilice en un componente de equipamiento de motor determinado. Estas diferencias son debidas a una amplia variedad de factores, incluidos, sin exclusión de otros, diferentes componentes del motor (limpiadores de aire, tubos de escape, carga, refrigeración, carburador, bomba de combustible, etc.), limitaciones de aplicación, condiciones ambientales de funcionamiento (temperatura, humedad, altitud) y la variabilidad entre motores. Debido a las limitaciones de fabricación y capacidad, Briggs & Stratton podrá sustituir una mayor potencia clasificada para este motor de serie.

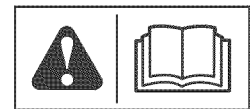
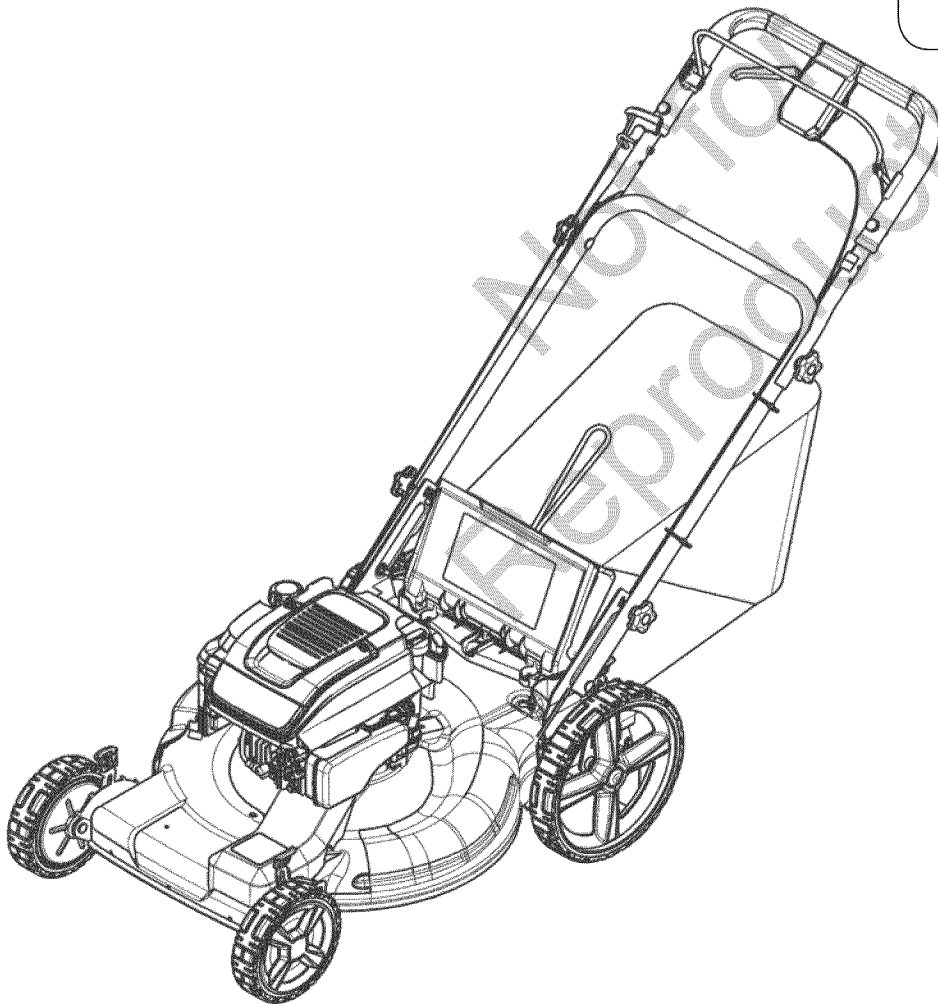
Manuel d'utilisation

SNAPPER®

22" Autopropulsé Tondeuse à pousser

Description du modèle N°

7800709	SPV2270HW
7800755	NSPV2270HW
7800831	SPV22725HW



Nous vous remercions d'avoir acheté ce produit de qualité Snapper. Nous sommes heureux de la confiance que vous accordez à la marque Snapper. S'il est utilisé et entretenu selon les instructions de ce manuel, votre produit Snapper vous procurera de nombreuses années de service fiable.

Ce manuel contient des informations relatives à la sécurité afin que vous connaissiez les dangers et risques qui sont liés à la machine et la façon de les éviter. Cette machine est conçue et faite uniquement pour la tonte soignée de gazons bien entretenus et elle n'est destinée à aucune autre utilisation. Il est important que vous lisiez et compreniez parfaitement ces instructions avant essayer de mettre en marche ou de faire fonctionner cet équipement. **Conserver ces instructions pour toute consultation ultérieure.**

Veillez fournir les renseignements suivants concernant l'achat de votre Snapper.

Date d'achat _____

Revendeur _____

Numéro de téléphone du revendeur _____

Machine

Numéro de modèle _____

Numéro de série _____

Moteur

Modèle _____ Type _____ Code _____

Table des matières

Sécurité de l'opérateur	4
Montage	8
Déballage	8
Poignée	8
Hauteur de poignée.....	9
Sac à herbe.....	10
Déflecteur de décharge latérale	12
Conseils de fauche.....	13
Comment préparer le moteur	13
Préparation finale	13
Fonctionnement	14
Lever d'arrêt du moteur	14
Système d'entraînement de roue	14
Pour arrêter le moteur	14
Démarrage du moteur	15
Règles pour un fonctionnement efficace et en toute sécurité	15
Entretien	16
Tableau de maintenance.....	16
Entretien du moteur.....	17
Basculement du moteur	17
Lubrification.....	17
Régler la hauteur de coupe	17
Régler le câble d'entraînement	18
Entretien de la lame	19
Enlever la lame.....	19
Aiguiser la lame.....	19
Vérifier le niveau de coupe.....	19
Nettoyer le carter de coupe.....	20
Préparer la tondeuse pour le remisage	22
Dépannage	23
Garantie	24
Guide de conduite sur les pentes	25



AVERTISSEMENT



Les relais, bornes et autres accessoires de la batterie contiennent du plomb, des composants en plomb, et produits chimiques. L'État de Californie est conscient qu'ils peuvent provoquer des maladies cancérigènes, des anomalies congénitales ou autres dangers de reproduction. Se nettoyer les mains après la manipulation.



AVERTISSEMENT



Les gaz d'échappement du moteur, certains de leurs constituants, et les composants de certains véhicules émettent ou contiennent des produits chimiques, qui selon l'État de Californie, peuvent provoquer des maladies cancérigènes ou autres dangers de reproduction.

Sécurité de l'opérateur

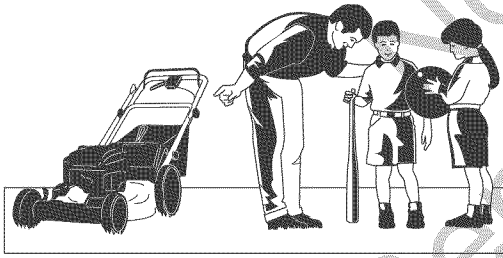


Lecture du manuel

Le manuel d'utilisation comporte d'importantes informations relatives à la sécurité qu'il faut connaître AVANT d'utiliser la machine ainsi que PENDANT son fonctionnement.

Ce manuel comporte des techniques de fonctionnement en toute sécurité, une explication des caractéristiques et des commandes de la machine et des informations relatives à l'entretien pour profiter au maximum de l'investissement dans la machine.

S'assurer de lire, dans son intégralité, la section sur les règles et informations relatives à la sécurité figurant dans les pages suivantes. Lire également la section sur le fonctionnement dans son intégralité.



Fonctionnement en pente

Il existe un danger grave de blessure, voire de mort, en cas d'utilisation de cette machine dans une pente trop raide. Utiliser la machine sur une pente trop raide ou sur laquelle la stabilité ou la traction est inadéquate peut entraîner la perte de contrôle ou la chute et glissade.

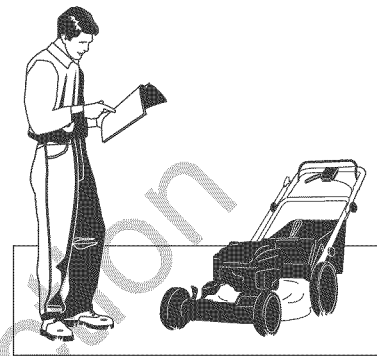
Vous ne devez pas utiliser la machine sur des pentes de déclivité supérieure 10 degrés, ce qui est 1,5 m (3,5 pi) d'élévation pour 6,0 m (20,0 pi). Toujours tondre les pentes en travers et jamais de haut en bas.

Noter également que la surface que vous êtes entrain de tondre peut considérablement affecter le contrôle. De l'herbe mouillée ou des feuilles peuvent gravement affecter votre stabilité et traction sur une pente. En cas de doute sur l'utilisation de l'unité sur un plan incliné, ne pas l'utiliser. Ça ne vaut pas le coup.

Sécurité de fonctionnement

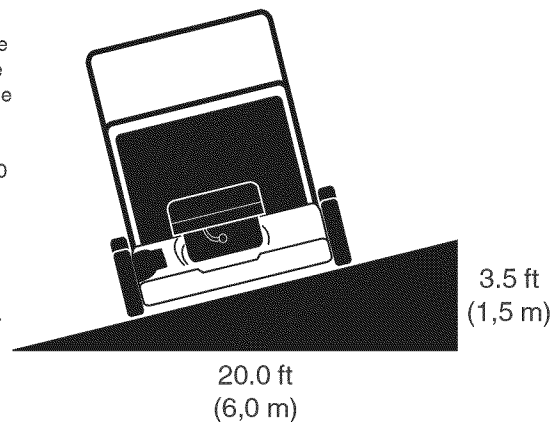
Un matériel électrique est sûr tant que l'est son utilisateur. Il peut être dangereux s'il n'est pas utilisé à bon escient ou s'il n'est pas correctement entretenu ! Rappel : l'utilisateur est responsable de sa propre sécurité et de celle de ceux qui sont à ses côtés.

Faire preuve de bon sens et bien penser à ce que l'on fait. En cas de doute sur une opération à effectuer sans danger avec l'équipement choisi, s'adresser à un professionnel : Contacter le distributeur local homologué.



Enfants

Des accidents tragiques peuvent se produire avec des enfants. Ne jamais leur permettre de se tenir à proximité de la zone d'opération. Les enfants sont souvent attirés par la machine et l'activité de tonte. Ne jamais supposer que les enfants resteront là où ils ont été vus pour la dernière fois. S'il existe un risque que des enfants puissent venir à proximité de l'endroit où l'on tond, demander à un autre adulte responsable de les surveiller.



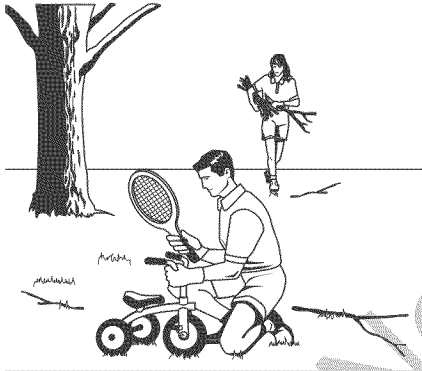
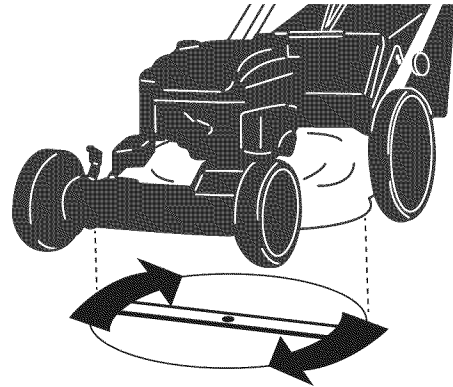
Sécurité de l'opérateur

Pièces en mouvement

Cette machine comporte des pièces en mouvement qui peuvent blesser l'utilisateur ou autrui. Néanmoins si vous vous tenez derrière la poignée correctement et suivez scrupuleusement toutes les règles figurant dans ce manuel, il n'y a aucun danger à se servir de cette machine.

Le plateau de coupe de la tondeuse comporte une lame de tondeuse rotative susceptible d'amputer les mains et les pieds. Ne jamais laisser qui que ce soit près de la machine quand elle est en marche !

Pour vous aider, vous l'utilisateur, à utiliser ce matériel en toute sécurité, il est équipé d'un système de sécurité détectant la présence du conducteur. NE PAS tenter d'altérer ni de contourner le dispositif. Consulter le distributeur immédiatement si le dispositif ne réussit pas tous les tests du système de verrouillage de sécurité figurant dans ce manuel.



Objets projetés

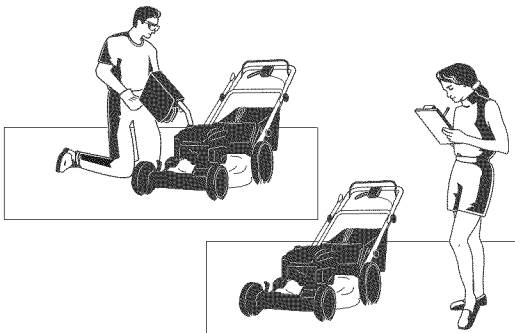
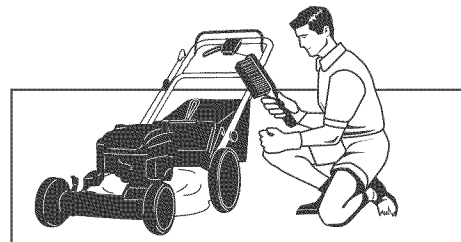
Cette unité comporte une lame de tondeuse rotative. Cette lame peut ramasser et projeter des débris susceptibles de gravement blesser un spectateur. S'assurer de bien nettoyer la zone à tondre AVANT de commencer à tondre.

Ne pas utiliser cette unité avant d'avoir mis le bac de ramassage complet ou la protection d'évacuation (déflecteur) en place.

En outre, ne jamais laisser qui que ce soit près de la machine quand elle est en marche ! Si quelqu'un se trouve dans la zone, arrêter immédiatement la machine et attendre que cette personne parte.

Accumulation de débris

L'accumulation d'herbe et de débris peut provoquer un incendie. S'assurer de nettoyer toute accumulation d'herbe et de débris avec une brosse ou de l'air comprimé, avant et après utilisation.



Carburant et entretien

L'essence est extrêmement inflammable. Ses vapeurs sont également extrêmement inflammables et peuvent se déplacer vers des sources de combustion à distance. Utiliser l'essence uniquement comme carburant, non pas comme solvant ou nettoyant. Ne jamais remiser l'essence dans des endroits où ses vapeurs peuvent s'accumuler ou se déplacer vers une source de combustion telle qu'une veilleuse. Le carburant doit être remisé dans des bidons en plastique, hermétiques et homologués, ou dans le réservoir d'essence du tracteur, le bouchon étant bien fermé. Essuyer immédiatement toute éclaboussure d'essence.

Un entretien adéquat est essentiel à la sécurité et à la performance de la machine. S'assurer d'effectuer les procédures d'entretien indiquées dans ce manuel et surtout, de tester périodiquement le dispositif de sécurité.

Sécurité de l'opérateur



AVERTISSEMENT : Cette machine très puissante peut provoquer l'amputation d'une main ou d'un pied ou le jet d'objets pouvant causer des blessures ou détériorations! Le fait de ne pas satisfaire les instructions de SECURITÉ suivantes pourrait causer des blessures graves ou la mort de l'opérateur ou d'autres personnes. Le propriétaire de cette machine doit comprendre ces instructions et doit permettre uniquement que des personnes qui les comprennent puissent opérer la machine. Toute personne utilisant cette machine doit être saine d'esprit et de corps et ne doit pas être sous l'influence d'une substance quelconque pouvant modifier sa vision, sa dextérité ou sa capacité de jugement. Si vous avez des questions concernant votre machine et auxquelles votre revendeur ne peut pas apporter de réponses satisfaisantes, contactez le Service clientèle (1-800-317-7833 ou www.snapper.com).

Protection des enfants

Des accidents tragiques peuvent se produire lorsque l'opérateur n'est pas averti de la présence d'enfants. Les enfants sont souvent attirés par la machine et l'activité de tonte. Ne jamais supposer que les enfants resteront là où ils ont été vus pour la dernière fois.

1. Les enfants **DOIVENT** être éloignés de la zone de tonte et sous la stricte vigilance d'un adulte autre que l'opérateur.
2. **NE JAMAIS** autoriser que les enfants restent sur le terrain à tondre lorsque la machine est en fonctionnement. Éteindre cette dernière si quelqu'un rentre dans la zone de tonte.
3. **NE PERMETTEZ PAS** à des adolescents d'utiliser la machine.
4. **PERMETTEZ** uniquement aux adultes responsables et aux adolescents faisant preuve de maturité dans leur jugement sous étroite supervision d'un adulte d'utiliser la machine.
5. **NE JAMAIS** tirer la tondeuse vers l'arrière à moins que ce ne soit vraiment nécessaire. **REGARDEZ** partout pour **VOIR** s'il y a des enfants, des animaux ou des obstacles avant et pendant la marche arrière.
6. Faire preuve **DE PRUDENCE** à l'approche d'angles morts, d'arbustes, d'arbres et d'autres objets susceptibles de masquer la vision.

Fonctionnement en pente

1. Les pentes sont une des raisons principales des accidents liés aux chutes ou glissades. Ils peuvent causer des blessures graves. Faire preuve de prudence supplémentaire sur toutes les pentes. Si vous ne vous sentez pas à l'aise sur une pente, **NE LA TONDEZ PAS**.
2. Tondre les pentes en travers et jamais de haut en bas. Faire preuve d'extrême **PRUDENCE** lorsque vous changez la direction de la machine sur une pente. **NE JAMAIS** tondre des pentes raides ou sur toute autre surface qui a un effet négatif sur la traction ou stabilité de la machine. Rappelez-vous au guide pour les pentes à la fin de ce manuel.
3. Faites extrêmement attention lors de l'utilisation de bac à herbes ou d'autres accessoires ; ils affectent la conduite et la stabilité de la machine.

Préparation

1. Il est important que vous lisiez, compreniez et suiviez les instructions de ce manuel et se trouvant sur la machine, le moteur et les accessoires. Veuillez vous familiariser avec les commandes de la machine et apprendre à l'utiliser de manière adéquate avant de la mettre en marche.
2. Seules les personnes responsables et mûres peuvent opérer cette machine et uniquement après qu'elles aient été formées de manière adéquate.
3. Les données indiquent que les utilisateurs, âgés d'au moins 60 ans, sont impliqués dans un fort pourcentage des blessures associées à la tondeuse. Ces utilisateurs doivent évaluer leur capacité à faire fonctionner la machine de manière suffisamment sûre pour se protéger et protéger autrui de toute blessure grave.

Préparation

(Suite de la colonne précédente)

4. Veuillez manipuler l'essence avec la plus grande des précautions. Les carburants sont inflammables et les vapeurs sont explosives. Utilisez uniquement un récipient à essence homologué. **NE PAS** enlever le bouchon du réservoir de carburant ou ajouter de l'essence lorsque le moteur est en fonctionnement. Ajouter de l'essence lorsque la machine est à l'extérieur et uniquement si le moteur est arrêté et froid. Veuillez essuyer les éclaboussures de carburant sur la machine. **NE PAS** fumer.
5. Vérifier la zone à tondre et enlever tous les objets, tels que les jouets, les câbles, les branches, les cailloux, et autres objets qui pourraient causer des blessures s'ils étaient projetés par une lame ou s'ils interféraient avec la tonte. Veuillez également observer l'emplacement des trous, des obstacles et d'autres possibles dangers.
6. Veuillez maintenir les personnes et les animaux en dehors de la zone de tonte. Veuillez immédiatement **ARRÊTER** les lames, le moteur et la machine si quelqu'un rentre dans la zone de tonte.
7. Veuillez vérifier fréquemment les commandes des protecteurs, déflecteurs, interrupteurs, et autres dispositifs de sécurité.
8. Veuillez vérifier que les étiquettes de sécurité sont toutes clairement lisibles. Remplacez-les si elles sont endommagées.
9. Veuillez vous protéger lorsque vous tondez. Portez des lunettes de sécurité, un masque contre la poussière, des pantalons longs et des chaussures résistantes. **NE TONDEZ** pas pieds nus ou avec des sandales.
10. Apprenez comment **ARRÊTER** les lames et le moteur rapidement afin d'être prêt à toute urgence.
11. Faire très attention lors du chargement ou du déchargement de la machine sur une remorque ou un camion.
12. Vérifiez les composants du bac à ramassage afin de contrôler leur usure ou détérioration. Remplacez-les si nécessaire afin d'empêcher que des objets projetés, passant à travers des trous endommagés ou usés, ne blessent quelqu'un.

Manipulation sans danger de l'essence

Afin d'éviter toute blessure ou d'endommager un bien, veuillez manipuler l'essence avec précaution extrême. L'essence est extrêmement inflammable et ses vapeurs sont explosives.

1. Éteindre cigarettes, cigares, pipes et autres sources de combustion.
2. Utilisez uniquement un récipient à essence homologué.
3. **NE PAS** enlever le bouchon du réservoir de carburant ou ajouter de l'essence lorsque le moteur est en fonctionnement. Laisser le moteur refroidir avant de faire le plein.
4. **NE PAS** remplir le réservoir d'essence alors que la machine se trouve à l'intérieur d'un espace.
5. **NE PAS** remiser la machine ou le bidon de carburant où il y a une flamme nue, une étincelle ou une veilleuse, comme près d'un chauffe-eau ou de tout autre appareil ménager.

Manipulation sans danger de l'essence (Suite de la page précédente)

6. NE remplissez PAS des récipients à l'intérieur d'un véhicule, d'un camion ou d'une remorque avec une bâche en plastique. Toujours placer les bidons sur le sol, éloignés de tout véhicule, avant de les remplir.
7. Retirer tout équipement à essence du camion ou de la remorque et faire le plein sur le sol. Quand cela n'est pas possible, faire le plein de la machine avec un bidon portable plutôt qu'avec un distributeur d'essence.
8. NE PAS démarrer des équipements à essence près des véhicules ou des remorques.
9. Garder le bec en contact avec le bord du réservoir d'essence ou de l'ouverture du bidon à tout moment jusqu'à obtention du plein. NE PAS utiliser de dispositif à ouverture bloquée de bec.
10. En cas d'éclaboussures d'essence sur les vêtements, en changer immédiatement.
11. NE JAMAIS REMPLIR en excès le réservoir de carburant. Remettre le bouchon d'essence en place et bien serrer.

Fonctionnement

1. NE JAMAIS placer les mains ou les pieds près ou en-dessous des pièces en mouvement. Veuillez maintenir la zone de décharge libre de toute personne lorsque le moteur est en fonctionnement.
2. ARRÊTER le moteur lorsque vous traversez des chemins, routes, allées en gravier, et chaque fois que la machine peut projeter des objets.
3. N'utiliser la machine qu'à la lumière du jour ou dans une lumière artificielle de bonne qualité.
4. NE PAS utiliser la machine sous l'emprise de l'alcool ou de drogues.
5. Si vous avez cogné un obstacle ou si la tondeuse vibre de manière anormale, ARRÊTEZ le moteur, et déconnectez en toute sécurité le câble de la bougie. Contrôlez si la tondeuse a été endommagée et réparez-la avant de la faire fonctionner de nouveau.
6. NE PAS tondre à proximité d'à-pics, de fossés ou de talus. L'opérateur peut perdre l'équilibre.
7. FAITES ATTENTION aux trous et autres obstacles dangereux. L'herbe haute peut cacher des obstacles. Maintenir éloigné des fossés, des caniveaux, des clôtures et des objets en saillie.
8. NE PAS tondre de l'herbe mouillée. Maintenir toujours l'équilibre. Tenir fermement la poignée et marcher, ne jamais courir. Les glissades peuvent être source de blessures graves.
9. RESTER TOUJOURS derrière la poignée lorsque le moteur est en fonctionnement.
10. NE JAMAIS quitter la machine si le moteur est en fonctionnement. ARRÊTER LA LAME et LE MOTEUR avant de quitter le siège de l'opérateur, quel qu'en soit la raison.
11. Lors du nettoyage, des réparations ou des inspections, s'assurer que le moteur, la lame et toutes les pièces en mouvement sont arrêtés. Débrancher en toute sécurité le câble de la bougie afin d'empêcher le démarrage accidentel de la machine.
12. ARRÊTER le moteur et attendre que la lame se soit totalement ARRÊTÉE avant d'enlever le sac à herbe et/ou de nettoyer l'herbe.

Fonctionnement (Suite de la colonne précédente)

13. NE PAS utiliser la tondeuse sans que le sac à herbe complet, la protection arrière ou d'autres dispositifs de sécurité ne soient installés et fonctionnent. NE PAS orienter la décharge vers des personnes, des voitures, des fenêtres ou des portes.
14. NE PAS décharger du matériel contre un mur ou une obstruction. Le matériau risque de ricocher vers l'opérateur.
15. Ralentir avant de tourner.
16. Surveiller la circulation lors de l'utilisation à proximité des routes ou en les traversant.
17. NE PAS faire fonctionner le moteur dans des espaces fermés. Les gaz d'échappement du moteur contiennent du monoxyde de carbone qui est un poison mortel.
18. Utilisez uniquement des accessoires approuvés par le fabricant. Voir les instructions du fabricant pour le bon fonctionnement et l'installation des accessoires.

Entretien et remisage

1. NE PAS remiser la machine ou le bidon de carburant dans un espace où les fumées peuvent atteindre une flamme nue, une étincelle ou une veilleuse, comme près d'un chauffe-eau, une chaudière, un sèche-linge ou tout autre appareil à gaz. Laisser le moteur refroidir avant de remiser la machine dans un endroit clos. Remiser les récipients de carburant dans un endroit où les enfants ne peuvent pas les atteindre, et qui soit bien aéré et inhabité.
2. Veuillez enlever le gazon, les feuilles et tout excès de graisse du moteur afin d'éviter les incendies et la surchauffe de ce dernier.
3. Lorsque vous réalisez la vidange du réservoir de carburant, videz l'essence dans un récipient approuvé et au sein d'un espace ouvert loin de toute flamme nue.
4. Veuillez bien serrer tous les boulons (en particulier les boulons de la lame), écrous et vis. Vérifier que toutes les goupilles fendues soient en bonne position.
5. Contrôler que le moteur soit bien aéré lors du fonctionnement. Les gaz d'échappement du moteur contiennent du monoxyde de carbone qui est un poison mortel.
6. Réparer le moteur et réaliser des réglages uniquement lorsque ce dernier est à l'arrêt. Enlever le câble de la bougie de cette dernière et placez-le dans un endroit éloigné de la bougie afin d'empêcher tout démarrage accidentel.
7. NE PAS changer les paramètres du régulateur de vitesse du moteur ni emballer le moteur.
8. Vérifier le sac à herbe fréquemment afin de voir s'il est usé ou détérioré et éviter que des objets ne soient projetés et l'exposition aux pièces en mouvement. Remplacer avec un nouveau sac si vous observez que les jonctions sont desserrées ou des déchirures. Remplacer la glissière ou l'adaptateur du sac s'il est cassé ou fêlé.
9. Les lames de la tondeuse sont aiguisées et peuvent couper. Emballez les lames ou portez des gants résistants, et faites preuve de la plus grande des PRÉCAUTIONS lorsque vous les manipulez.
10. NE PAS essayer l'étincelle avec une mise à terre proche des puits de bougie ; la bougie d'allumage pourrait enflammer les gaz sortant du moteur.
11. Faites réviser la machine par un revendeur agréé au moins une fois par an et faites installer par le revendeur tout nouveau dispositif de sécurité.
12. Utiliser uniquement des pièces de rechange d'origine autorisées ou identiques quand vous faites des réparations.

Montage



AVERTISSEMENT : Avant de réaliser toute manutention ou assemblage de la tondeuse, veuillez débrancher le câble de la bougie.

REMARQUE : Dans ce manuel, gauche et droite indiquent l'emplacement d'une pièce, l'opérateur étant debout derrière la poignée.

Déballage

La tondeuse a été totalement montée au sein de l'usine. Lorsque la tondeuse a été emballée, la poignée était placée en position de remisage. Pour mettre la poignée en position de fonctionnement, veuillez suivre les pas suivants.

Poignée

1. Retirez la tondeuse de la caisse en carton.
2. Enlever tout l'emballage de la tondeuse et de la poignée.
3. Enlever les ailettes (A, Figure 1), rondelles (non illustrée) et les boulons (B) de chacun des supports droit et gauche de la poignée (C).

REMARQUE : Ne retirez pas la partie inférieure de la visserie de poignée (C).

4. Levez la poignée inférieure en l'alignant sur l'un des trois ensembles de trous des supports de la poignée (C). Remettre en place les boulons, rondelles et écrous à oreille.
5. Amener la poignée supérieure (A, Figure 2) sur la position (verticale) de fonctionnement. Serrer les vis (B).

REMARQUE : La hauteur de la poignée peut être réglée pour satisfaire le confort de l'opérateur. Voir « Hauteur de la poignée ».

ATTENTION : Faites attention lorsque vous pliez ou soulevez la poignée. Ne détériorez pas les câbles. Un câble plié ne fonctionne pas correctement. Avant d'utiliser l'unité, remplacez les câbles pliés ou endommagés.

6. Maintenir le levier d'arrêt du moteur près de la poignée. (Consultez la section intitulée « Levier d'arrêt du moteur »). Tirer lentement le levier du lanceur (A, Figure 3). Afin de fixer le levier du lanceur au guide-câble (B), tourner le cordon autour du guide-câble qui est placé sur le côté droit de la poignée.

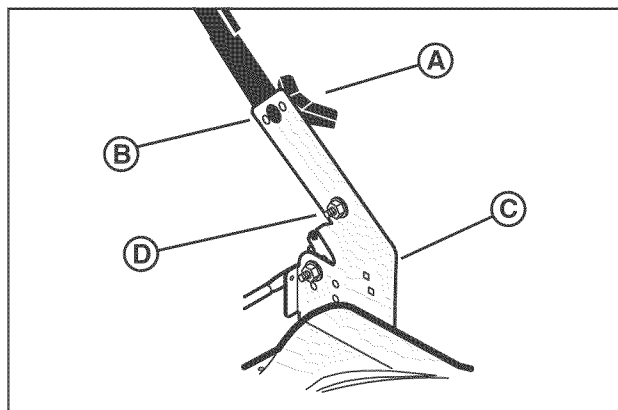


Figure 1: Déplier la poignée inférieure

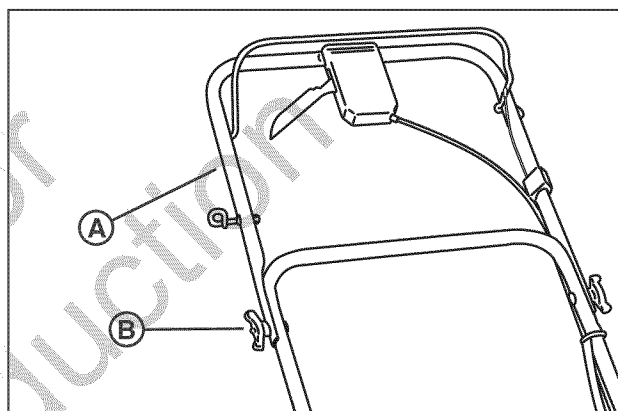


Figure 2: Déplier la poignée supérieure

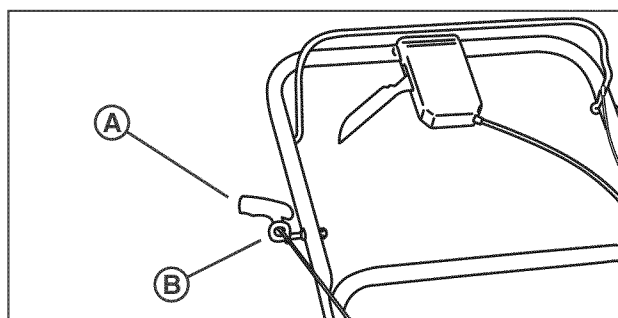


Figure 3: Attacher le levier du lanceur

Régler la hauteur de la poignée

1. Enlever les ailettes (A, Figure 4), rondelles (non illustrée) et les boulons (B) de chacun des supports droit et gauche de la poignée (C).

REMARQUE : Ne retirez pas la partie inférieure de la visserie de poignée (C).

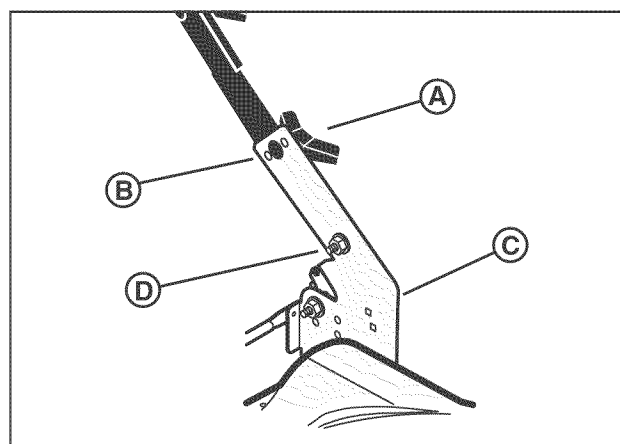


Figure 4: Dépose de la visserie de réglage de poignée

2. Ajuster la poignée sur un trou de réglage de hauteur (A, Figure 5) plus haut ou plus bas.
3. Remettre en place les boulons, rondelles et écrous à oreille déposés lors de l'Étape 1.

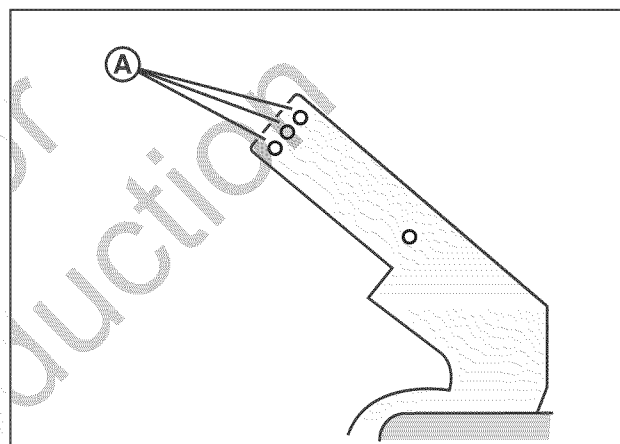


Figure 5: Trous de réglage de hauteur

(Composants retirés pour rendre l'illustration plus claire)

Montage

Assemblage du sac à herbe

Remarque : Sur certains modèles, le déflecteur de décharge monté latéralement est temporairement attaché (pour les besoins de l'expédition) à l'arrière de la tondeuse. Avant d'effectuer le montage du sac à herbe, déposer le déflecteur de décharge monté latéralement.

1. Glisser le cadre (A, Figure 6) dans le sac à herbe (B). S'assurer que la poignée (C) soit à l'extérieur du sac à herbe.

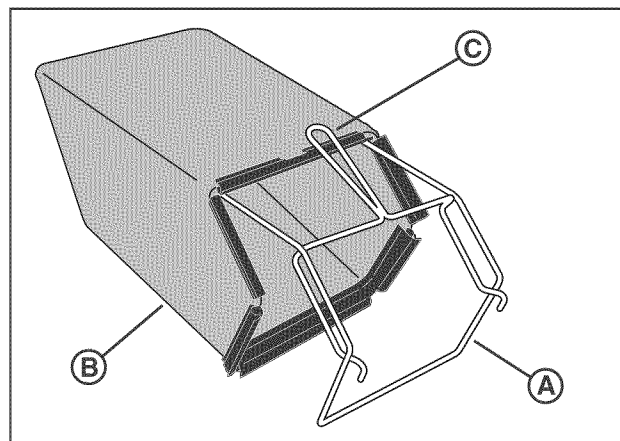


Figure 6: Pose du cadre

2. Fixer d'abord les attaches (A, Figure 7) sur le côté du cadre. Fixer ensuite les attaches sur le haut et le bas du cadre.

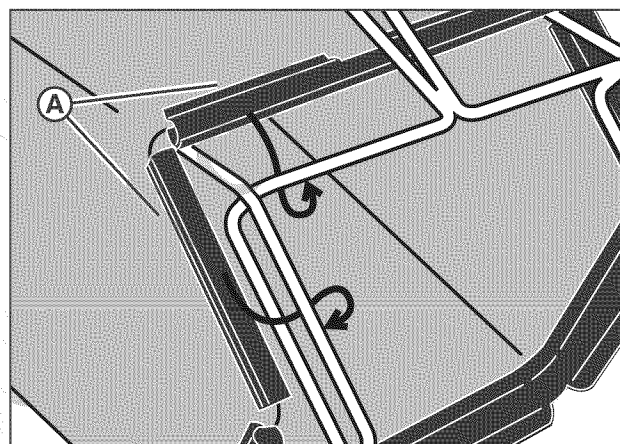


Figure 7: Pose des attaches de sac

Monter le sac à herbe

1. Afin de monter le sac à herbe sur la tondeuse, soulever la porte arrière (A, Figure 8). Retirez la fiche de déchetage.

Important : La fiche de déchetage doit être retirée uniquement quand on souhaite ensacher l'herbe ; elle doit être replacée dès que les opérations d'ensachage sont terminées.

2. En tenant le sac à herbe par la poignée (A, Figure 9), monter les crochets (B) de l'une des extrémités du cadre du sac à herbe sur la tige du pivot de la porte (C). Baisser le sac à herbe contre l'arrière de la tondeuse. Baisser la porte arrière.

À noter Veuillez vérifier que les deux crochets du sac à herbe sont fixés à la tige du pivot.

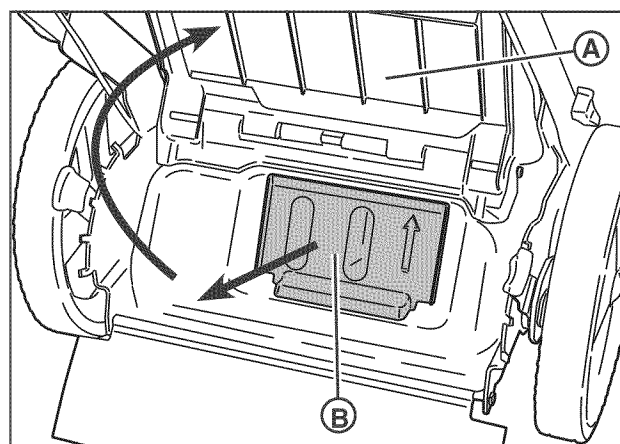


Figure 8: Retrait de l'obturateur de déchetage



AVERTISSEMENT : Vérifier si le sac à herbe est usé ou détérioré. Si c'est le cas, veuillez remplacer les pièces uniquement avec des éléments originaux approuvés.

Vider le sac à herbe



AVERTISSEMENT : Avant d'enlever le sac à herbe, arrêter le moteur. Avant d'enlever l'herbe du compartiment de coupe, veuillez débrancher le câble de la bougie.

1. Soulever la porte arrière à une position verticale.
2. Tenir la poignée du sac à herbe et soulever le cadre. Continuer de soulever le cadre jusqu'à ce que les crochets ne soient plus fixés sur la tige du pivot. Enlever le sac à herbe.
3. Vider l'herbe du sac à herbe.
4. Afin de monter le sac à herbe sur la tondeuse, veuillez consulter la section « Monter le sac à herbe ».

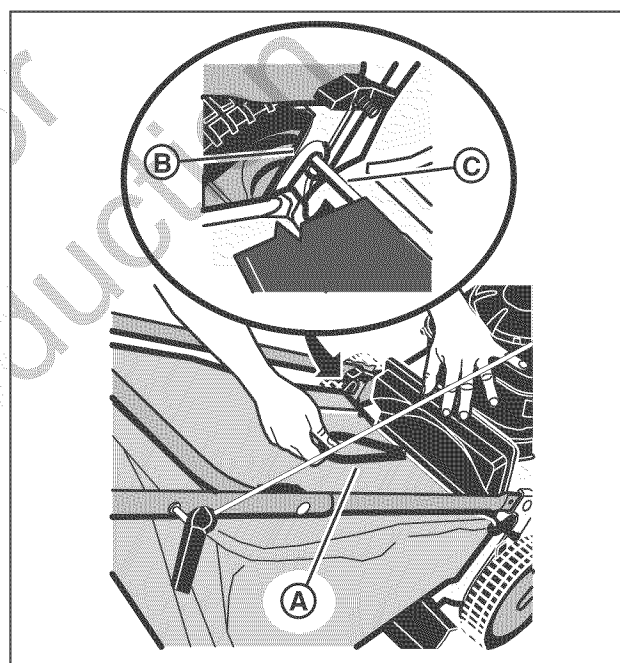


Figure 9: Monter le sac à herbe

Montage

Attacher le déflecteur de décharge latérale



AVERTISSEMENT : Afin d'empêcher que le moteur ne démarre, débrancher le câble de la bougie.

Pour le transport, le déflecteur latéral n'a pas été installé. Veuillez situer le déflecteur latéral et l'installer de la manière suivante.

1. Soulever le couvercle de la faucheuse (A, Figure 10).
2. Attacher le déflecteur latéral (B). S'assurer que les pattes de verrouillage (C) passent à travers les fentes du déflecteur latéral.
3. Baisser le couvercle de la faucheuse (A, Figure 11).
4. Attacher le câble de la bougie.

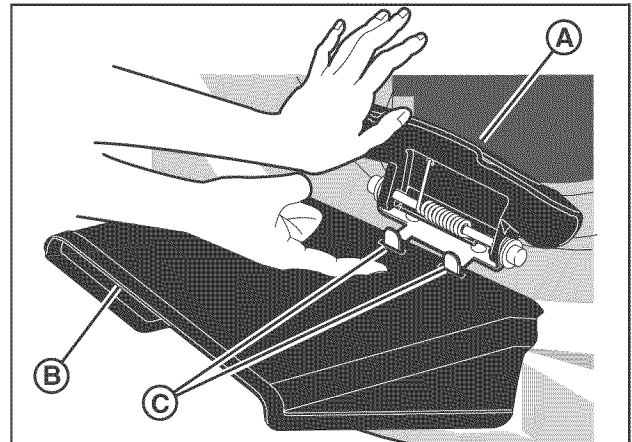


Figure 10: Installation du déflecteur de décharge latérale

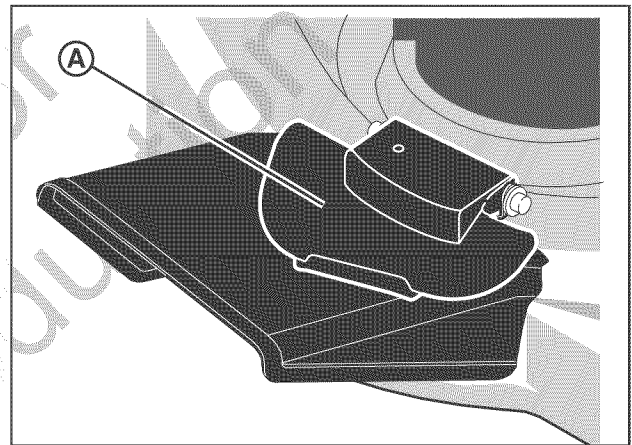


Figure 11: Relâcher le couvercle de la faucheuse

Conseils de fauche

La fauche permet de couper finement le gazon afin que ce dernier puisse être facilement recyclé. Le sol va récupérer ces nutriments, et le gazon aura ainsi besoin de moins d'engrais. Afin de faucher correctement le gazon, suivez les conseils suivants.

- L'herbe doit être sèche. Si le gazon est humide, il sera difficile à couper et peut entraîner des cépées d'herbe importantes.
- L'herbe ne doit pas être trop haute. La hauteur maximum pour couper de manière efficace est de 4,5 pouces. Réglez les dispositifs de réglage de la hauteur afin que seul un tiers de la hauteur du gazon soit coupé.
- Si le gazon est plus haut que 4,5 pouces, il sera nécessaire de réaliser deux fauches. Pour la première tonte, mettre le régleur de la hauteur sur la position maximum. Ensuite, baisser les dispositifs de réglage de la hauteur lors de la deuxième tonte.

- Maintenez la lame aiguisée. Si la lame n'est pas bien effilée, les extrémités du gazon peuvent devenir marrons.
- Nettoyer la partie basse du carter de coupe. L'herbe et les autres débris peuvent empêcher la tondeuse de fonctionner correctement.

Si la qualité de coupe n'est pas bonne, essayez ce qui suit :

- Régler les dispositifs de réglage de la hauteur à la position de coupe maximale.
- Couper le gazon plus fréquemment.
- Faire fonctionner la tondeuse à une vitesse de déplacement plus lente.
- Superposer les andains de coupe plutôt que de couper un andain intégral à chaque passage.
- Tondre les zones marginales une deuxième fois.

Préparation du moteur

LE MOTEUR NE CONTIENT PAS D'HUILE NI D'ESSENCE

À l'aide de la burette d'huile fournie dans la caisse, remplir le moteur de la quantité d'huile nécessaire. Suivre les instructions du fabricant du moteur pour le type d'essence ou d'huile à utiliser. Avant d'utiliser l'unité, veuillez lire les instructions sur la sécurité, le fonctionnement, l'entretien et le remisage.



AVERTISSEMENT : Suivre les instructions du fabricant du moteur pour le type d'essence ou d'huile à utiliser. Toujours utiliser un récipient pour essence. Veuillez ne pas fumer lorsque vous remplissez le réservoir de carburant. Lorsque vous vous trouvez au sein d'un espace fermé, ne remplissez pas le réservoir de carburant. Avant d'ajouter de l'essence, veuillez arrêter le moteur. Laisser le moteur refroidir pendant quelques minutes.

REMARQUE : La mise en route d'un nouveau moteur peut parfois entraîner une quantité importante de fumée. Elle est causée par la peinture ou l'huile se trouvant sur ou autour du pot d'échappement. Ceci est normal et ne dure qu'au cours de la phase initiale d'opération.

IMPORTANT : Cet unité est équipée d'un moteur à combustion interne et ne doit pas être utilisée sur ou à proximité de terrain forestier, broussailleux ou herbeux à moins que le système d'échappement ne soit équipé d'un pare-étincelles répondant aux lois locales ou d'État en vigueur (s'il y en a). Si un pare-étincelles est utilisé, il doit être préservé en bon fonctionnement par l'opérateur.

Dans l'État de Californie, ce système est exigé par la loi (Section 4442 du Code de ressources publiques de Californie). Les autres États peuvent avoir des lois similaires. Les lois fédérales s'appliquent aux territoires fédéraux. Veuillez vous rendre dans un centre de services autorisé afin d'acquiescer un pare-étincelles pour le pot d'échappement.

REMARQUE : La puissance soutenue effective du matériel est susceptible d'être inférieure en raison de limites d'exploitation et de facteurs environnementaux.

Préparation finale

Avant d'utiliser la tondeuse, vérifier le montage des roues, de la poignée et des commandes. S'assurer de bien serrer toutes les fixations. Vérifier que la manette de gaz (si la machine en a une) et le levier d'arrêt du moteur fonctionnent correctement.

Si la tondeuse est équipée de dispositifs de réglage de la hauteur, vérifier que ces derniers fonctionnent correctement. Avant de démarrer le moteur, contrôler que les dispositifs de réglage de la hauteur sont réglés au bon niveau. Veuillez consulter « Régler la hauteur de coupe » dans la section Entretien.

Fontionnement

Levier d'arrêt du moteur

Relâcher le levier d'arrêt du moteur (A, Figure 12) et le moteur et la lame s'arrêteront automatiquement. Pour démarrer le moteur, maintenir le levier d'arrêt du moteur sur la position Fonctionnement (B).

Avant de mettre en marche le moteur, veuillez faire fonctionner le levier d'arrêt du moteur plusieurs fois. Vérifier que le câble fonctionne correctement.

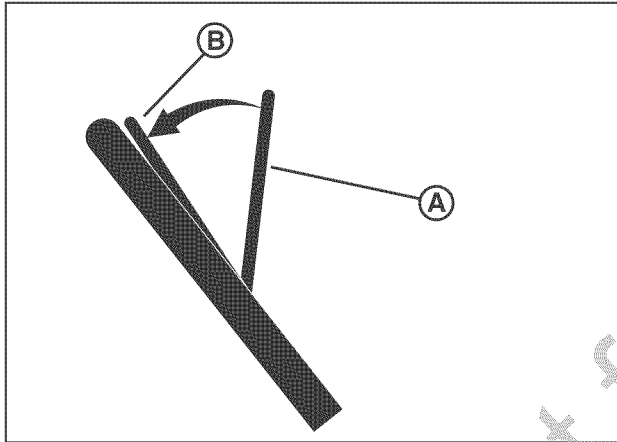


Figure 12: Faire fonctionner le levier d'arrêt du moteur

Système d'entraînement de roue

La tondeuse dispose d'un système d'entraînement de la roue. Faire fonctionner le système d'entraînement de la manière suivante.

1. Maintenir le levier d'arrêt A, Figure 12) du moteur sur la position Fonctionnement (B).
2. Tirer lentement le levier d'entraînement (A, Figure 13) vers l'arrière. Le système d'entraînement est embrayé. Pour augmenter la vitesse d'avancement, tirer davantage vers l'arrière et lentement le levier d'entraînement. Pour réduire la vitesse d'avancement, relâcher lentement le levier d'entraînement.
3. Pour débrayer le système d'entraînement et arrêter le moteur, relâcher totalement le levier d'arrêt du moteur.
4. Pour débrayer uniquement le système d'entraînement, relâchez le levier d'entraînement. Le système d'entraînement sera débrayé mais le moteur continuera de fonctionner.

REMARQUE : Quand le système d'entraînement est débrayé sur une nouvelle machine, il est possible que les roues tournent lorsqu'on les soulève au-dessus du sol. Ceci est normal et cessera après une ou deux heures de fonctionnement.



AVERTISSEMENT : Afin d'opérer de manière sûre la machine, le système d'entraînement doit être immédiatement débrayé lorsque le levier d'entraînement est relâché. Si le système d'entraînement ne se débraye pas de manière adéquate, ne pas utiliser la tondeuse avant que ce dernier ne soit réglé ou réparé par un centre de service autorisé.

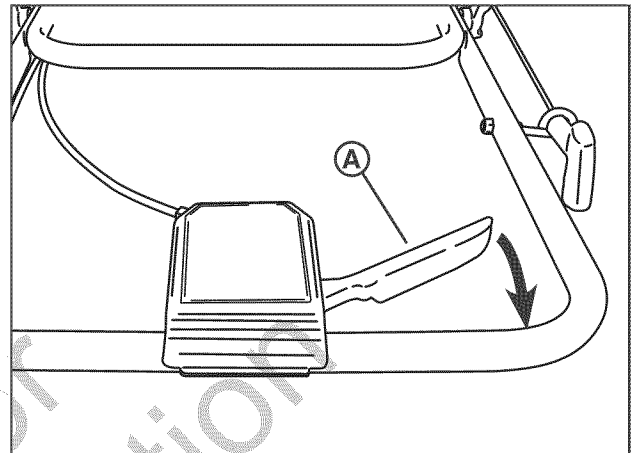


Figure 13: Faire fonctionner le système d'entraînement de la roue

Pour arrêter le moteur

Afin d'arrêter le moteur, relâcher le levier d'arrêt du moteur. Débrancher le câble de la bougie afin d'empêcher le moteur de démarrer par accident.

Avant de démarrer le moteur, contrôler le câble d'arrêt du moteur. Vérifier que le câble d'arrêt du moteur est assemblé de manière correcte. Avant d'utiliser l'unité, remplacer les câbles pliés ou endommagés.

Démarrage du moteur



AVERTISSEMENT : La lame tourne quand le moteur tourne.

IMPORTANT : Avant de mettre en marche le moteur, veuillez faire fonctionner le levier d'arrêt du moteur plusieurs fois. Vérifier que le câble d'arrêt du moteur peut être bougé facilement.

REMARQUE : Le dessin du moteur n'inclut pas une commande de gaz ou un réglage de la vitesse du moteur. Le moteur a été réglé à la meilleure vitesse de coupe du gazon, d'ensachage de l'herbe, et permettant de prolonger au maximum la durée de vie du moteur.

REMARQUE : Les modèles équipés avec des moteurs Ready Start™ ne disposent pas d'un bouton starter. Consulter les instructions du fabricant du moteur pour obtenir davantage d'informations.

1. Vérifier le niveau d'huile
2. Remplir le réservoir d'essence avec de l'essence sans plomb S'assurer que l'essence est propre. L'essence contenant du plomb augmente les dépôts et réduit la durée de vie des soupapes.

REMARQUE : N'utilisez pas de méthanol ou de gasohol. Ne pas utiliser de l'essence premium.



AVERTISSEMENT : Toujours utiliser un récipient pour essence. Veuillez ne pas fumer lorsque vous remplissez le réservoir de carburant. Lorsque vous vous trouvez au sein d'un espace fermé, ne remplissez pas le réservoir de carburant. Avant d'ajouter de l'essence, arrêtez le moteur et laissez-le refroidir pendant quelques minutes.

3. Vérifier que le câble de la bougie est connecté à cette dernière.
4. S'assurer que le levier d'entraînement soit en position débrayée.



AVERTISSEMENT : Afin d'empêcher un accident, vérifier que le levier d'entraînement est sur la position DÉBRAYÉ. Lorsque le levier d'entraînement est sur la position EMBRAYÉ, ne démarrez pas le moteur.

5. Restez derrière la tondeuse. Avec une main maintenir le levier d'arrêt du moteur sur la position Fonctionnement (A, Figure 14).
6. Démarrez la tondeuse : Tirez la poignée de la corde de lancement (B) pour démarrer le moteur.
7. Une fois que le moteur a démarré, laissez-le se réchauffer brièvement jusqu'à ce qu'il tourne doucement avant de commencer la tonte.

8. Si le moteur ne démarre pas après 5 ou 6 essais, veuillez consulter les instructions « Dépannage ».

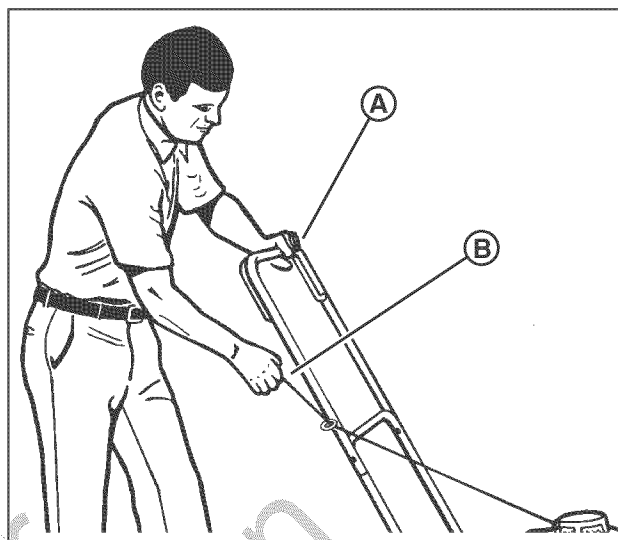


Figure 14: Mise en marche du moteur

Règles pour un fonctionnement efficace et en toute sécurité

Veuillez consulter la section « Sécurité de l'opérateur » de ce manuel afin de connaître les règles importantes sur la sécurité et sur l'utilisation efficace de la tondeuse.

Entretien

Tableau de maintenance



AVERTISSEMENT : Avant de réaliser une inspection, un réglage ou une réparation de l'unité (hormis le carburateur), veuillez arrêter le moteur et débrancher le câble de la bougie.

TONDEUSE
Toutes les 8 heures ou chaque jour
Vérifier le levier d'arrêt du moteur
Nettoyer les débris de la tondeuse
Toutes les 25 heures ou chaque année *
Vérifiez la tondeuse pour qu'il n'y ait pas d'éléments desserrés
Toutes les 50 heures ou chaque année *
Nettoyez la batterie et les câbles (si la machine en est équipée)
Voir le concessionnaire chaque année pour
Lubrifier la tondeuse
Vérifier la courroie de tondeuse
Vérifiez la lame de la tondeuse **
Contrôle du temps d'arrêt des lames de tondeuse

* Indifféremment, ce qui se présente en premier.

**Vérifier plus fréquemment la lame dans les régions ayant des sols sablonneux ou dans lesquelles il y a beaucoup de poussière.

MOTEUR
Premières 5 heures
Changement de l'huile moteur
Toutes les 8 heures ou chaque jour
Contrôler le niveau d'huile moteur
Toutes les 25 heures ou chaque année *
Nettoyez le filtre à air du moteur et le dépoussiéreur (si la tondeuse en est équipée)**
Toutes les 50 heures ou chaque année *
Changement de l'huile moteur
Remplacez le filtre à air (si la tondeuse en est équipée)
Chaque année
Changer le filtre à air
Remplacez le dépoussiéreur (si la tondeuse en est équipée)
Voir le concessionnaire chaque année pour
Inspectez le silencieux et le pare-étincelles (si la tondeuse en est équipée)
Changer les bougies d'allumage
Remplacez le filtre à essence (si la tondeuse en est équipée)
Nettoyer le système de refroidissement à air du moteur

* Indifféremment, ce qui se présente en premier.

**Nettoyer plus souvent dans les atmosphères poussiéreuses ou en présence d'impuretés en suspension dans l'air.

Entretien du moteur

Suivre la section Entretien pour maintenir l'unité en bonnes conditions de fonctionnement. Toute l'information sur l'entretien du moteur se trouve dans le manuel du moteur. Avant de démarrer le moteur, lire le manuel.



AVERTISSEMENT : Avant de réaliser une inspection, un réglage ou une réparation de l'unité (hormis le carburateur), veuillez arrêter le moteur et débrancher le câble de la bougie.

Basculement du moteur

Lorsque vous réalisez l'entretien du moteur, vérifiez la lame ou nettoyez la partie inférieure du carter de coupe, contrôlez que vous basculez le moteur avec la bougie vers le haut (Figure 15). Si vous transportez ou basculez le moteur avec la bougie vers le bas ceci causera :

- Difficulté de mise en marche.
- Fumé du moteur.
- Bougie encrassée.
- Filtre à air saturé en essence ou en huile.

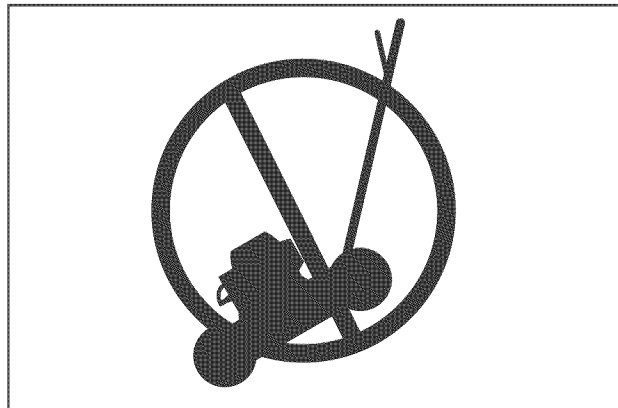


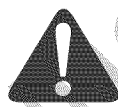
Figure 15: Ne basculez pas le moteur vers l'avant

Lubrification

1. Pour obtenir une performance maximum, lubrifier les roues et tous les points pivotant du moteur avec de l'huile toutes les 25 heures.
2. Pour lubrifier le moteur, veuillez consulter le manuel du moteur.

REMARQUE : ne lubrifiez pas le câble d'arrêt du moteur. Les lubrifiants endommageront le câble et empêcheront ce dernier de bouger librement. Remplacer le câble s'il est courbé ou endommagé

Régler la hauteur de coupe



AVERTISSEMENT : La lame tourne quand le moteur tourne. Avant de changer la hauteur de coupe, veuillez arrêter le moteur et débrancher le câble de la bougie.

Afin de changer la hauteur de coupe, déplacer la position du bras de réglage de chaque roue (A, Figure 16). Vérifier que chaque bras de réglage est dans la même position afin que la tondeuse coupe au même niveau.

1. Débrayer le bras de réglage.
2. Déplacer le bras de réglage à une autre position.

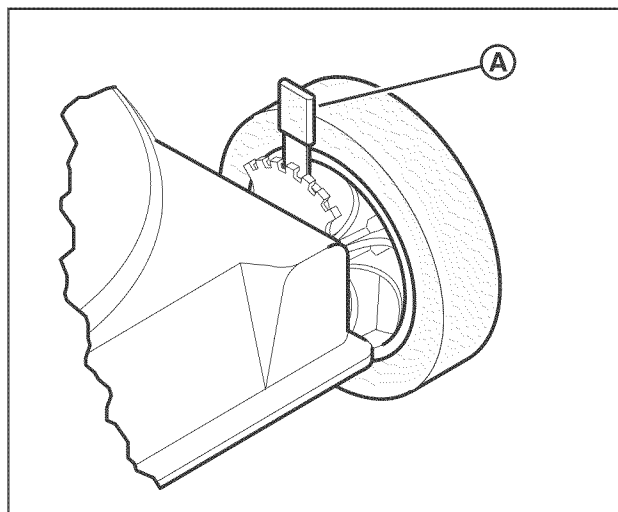


Figure 16: Régler la hauteur de coupe

Entretien

Régler le câble d'entraînement



AVERTISSEMENT : Avant de régler le câble d'entraînement, relâcher le levier d'arrêt du moteur et attendre que le moteur s'arrête.

Si le système d'entraînement n'embraye et débraye pas de manière adéquate, vérifier si la poignée a été correctement montée. Vérifier que toutes les pièces sont en bonne condition, ne sont ni cassées ni tordues, et que toutes les fixations sont serrées.

Les pièces usées et les câbles étirés changent la performance du système de conduite. Lorsque vous tondez dans des herbes épaisses ou hautes ou sur des collines, le système d'entraînement peut glisser. Si le système d'entraînement glisse, régler de la manière suivante ou apporter la tondeuse auprès d'un centre de service autorisé.

IMPORTANT : Avant de mettre en marche le moteur, veuillez faire fonctionner le levier d'arrêt du moteur plusieurs fois. Vérifier que le câble d'arrêt du moteur peut être bougé facilement.

Remarque : Le dessin du moteur n'inclut pas une commande de gaz ou un réglage de la vitesse du moteur. Le moteur a été réglé à la meilleure vitesse de coupe du gazon, d'ensachage de l'herbe, et permettant de prolonger au maximum la durée de vie du moteur.

1. Si le système d'entraînement patine, desserrer le contre-écrou (B, Figure 17) sur le tendeur de réglage (A) et faire tourner la virole (C) d'un demi-tour dans la direction indiquée. Vérifier le système d'entraînement et contrôler s'il glisse ou non.
2. Si le système d'entraînement patine encore, procéder à un nouveau réglage. De nouveau, vérifier le système d'entraînement.
3. Répétez le réglage et l'essai jusqu'à ce que le système d'entraînement ne patine plus.
4. Avant de commencer à tondre, assurez-vous que le système d'entraînement soit correctement débrayé et que la tondeuse s'arrête. Si le système d'entraînement ne débraye pas, veuillez apporter la machine auprès d'un centre de service autorisé avant d'utiliser la tondeuse.

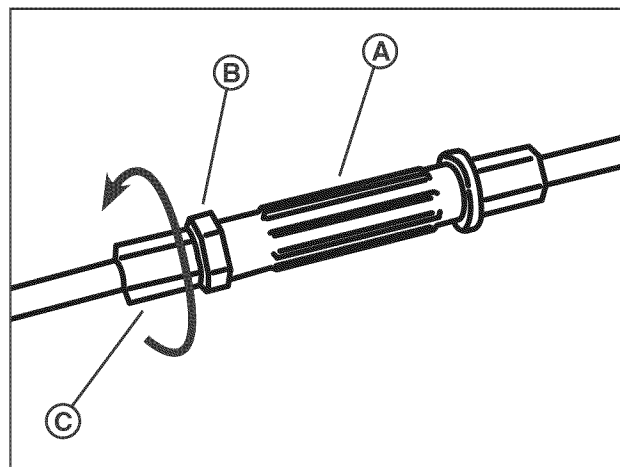


Figure 17: Régler le câble d'entraînement

Entretien de la lame



AVERTISSEMENT : Avant de contrôler ou d'enlever le raccord de la lame, débrancher le câble de la bougie. Si la lame touche un objet, arrêter le moteur. Débrancher le câble de la bougie. Vérifier si elle est endommagée.

Vérifier fréquemment la lame afin de déterminer si elle est trop usée, si elle comporte des craquelures ou si elle est endommagée. Contrôler fréquemment l'écrou qui maintient en place la lame. L'écrou doit être serré. Si la lame touche un objet, arrêter le moteur. Débrancher le câble de la bougie. Vérifier si le raccord de la lame (A, Figure 18) est endommagé. Contrôler si la lame est tordue ou endommagée, si elle est très usée ou endommagée. Avant de mettre en fonctionnement l'unité, les pièces endommagées doivent être remplacées avec des pièces originales. Pour une question de sécurité, remplacer la lame tous les deux ans. Maintenez la lame aiguisée. Si la lame n'est pas bien effilée, les extrémités du gazon peuvent devenir marrons. Enlever la lame de la manière suivante.

Enlever la lame



AVERTISSEMENT : Avant d'enlever la lame, débrancher le câble de la bougie. La lame dispose d'arêtes de coupe très aiguisées. Lorsque vous tenez la lame à la main utilisez des gants ou un matériel en étoffe pour protéger vos mains.

1. Vidange du réservoir de carburant.
2. Soulever le côté de la tondeuse qui a le pot d'échappement ou la bougie.
3. Utiliser une cale en bois pour empêcher la rotation de la lame.
4. Enlever le boulon (B, Figure 18) qui maintient la lame avec une clé de 9/16" (14 mm).
5. Vérifier la lame (C) conformément aux instructions de la section « Entretien lame ». Remplacer toute lame usée ou endommagée avec une lame originale.
6. Monter la lame avec les bords incurvés vers le carter. Si la lame est montée à l'envers, la lame ne coupera pas correctement et peut causer des accidents.
7. Serrer la lame avec le boulon et la (D) rondelle originale. Vérifier que le bord extérieur de la rondelle Belleville est dans le sens de la lame.
8. Serrer le boulon qui maintient la lame avec un couple de 30 pied-livre.



AVERTISSEMENT : L'écrou qui maintient en place la lame doit être toujours serré. Si ce n'était pas le cas ceci pourrait entraîner des accidents.

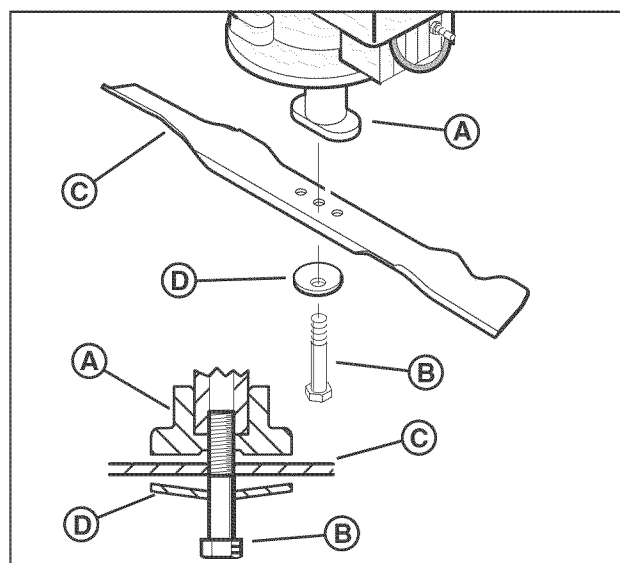


Figure 18: Enlever la lame

Aiguiser la lame



AVERTISSEMENT : Si la lame n'est pas équilibrée de manière correcte, il se peut qu'elle vibre. Une lame endommagée et ayant des craquelures peut se casser et entraîner des accidents.

1. Aiguiser la lame deux fois par an ou toutes les 25 heures.
2. Si la lame est sur l'unité, ne l'aiguiser pas. Enlever la lame conformément aux instructions de la section « Enlever la lame ».
3. Nettoyer la lame avec une brosse, un savon et de l'eau. Vérifier la lame. Regarder si elle présente des entailles, des craquelures, ou des dommages. Remplacer toute lame usée, pliée ou endommagée avec une lame originale.
4. Aiguiser la lame (A, Figure 19, page suivante) avec une lime (B). Ne pas modifier l'angle du biseau original.
5. S'assurer que la lame est équilibrée. Utiliser un tournevis (C) et maintenir la lame parallèle au sol (D) comme indiqué. Une lame bien équilibrée reste parallèle au sol. Si la lame n'est pas bien équilibrée, l'extrémité plus lourde tournera vers le sol. Aiguiser l'extrémité lourde jusqu'à équilibrer la lame.
6. Une lame nouvelle coupera mieux qu'une lame usée et détériorée. Tous les deux ans remplacer la vieille lame avec une pièce originale.

Vérifier le niveau de coupe

Essayer l'unité dans une zone réduite. Si la hauteur de coupe n'est pas nivelée ou si l'herbe coupée n'est pas déchargée, la cause peut-être : (1) la lame est pliée ou endommagée, (2) la lame n'est pas aiguisée, (3) la lame est usée, (4) le raccord de la lame est cassé. Avant d'utiliser l'unité, veuillez corriger le problème.

Entretien

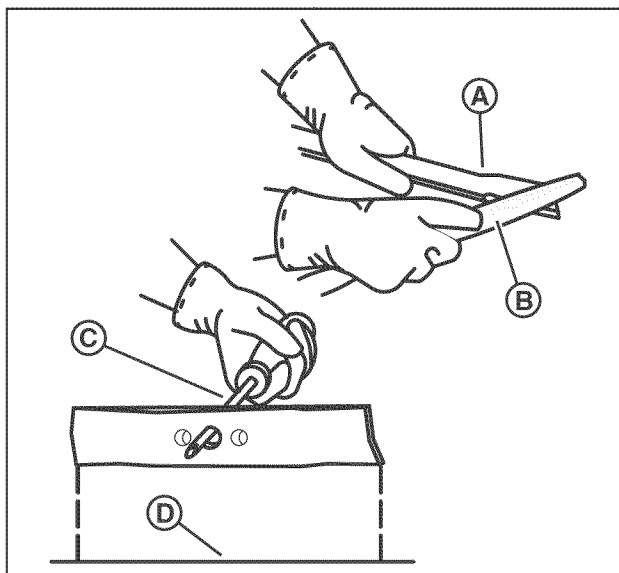


Figure 19: Aiguiser la lame

Nettoyer le carter de coupe



AVERTISSEMENT : La lame tourne quand le moteur tourne. Avant de nettoyer le carter de coupe, veuillez arrêter le moteur et débrancher le câble de la bougie.

L'herbe et les autres débris peuvent empêcher la tondeuse de fonctionner correctement. Après que vous avez tondu, nettoyez le compartiment de coupe de la manière suivante.

1. Arrêter le moteur.
2. Débranchez le câble de la bougie d'allumage.
3. Nettoyez la poussière et les débris sur le dessus du carter de coupe. Nettoyer avec du savon et de l'eau. Essuyer l'excès d'eau avant le remisage.

Orifice de lavage



AVERTISSEMENT : Utilisez une protection oculaire appropriée.



AVERTISSEMENT : Tenez les personnes et les animaux familiers à l'écart.

L'orifice de lavage permet le lavage du dessous du carter de coupe en gardant les mains libres. Pour utiliser le robinet de nettoyage :

1. Assurez-vous que le sac à herbe et le déflecteur d'éjection latéral soient retirés, et que l'obturateur de déchiquetage soit installé.
2. Réglez la hauteur de coupe sur la position la plus basse. Se reporter à la section 'Réglage de la hauteur de coupe' dans ce manuel.
3. Amener la tondeuse sur une surface en béton ou goudronnée, plate et plane.
4. Arrêter le moteur.
5. Branchez l'extrémité mâle d'un tuyau d'arrosage standard sur le connecteur de l'orifice de lavage (A, Figure 20, page suivante).
6. Ouvrez l'alimentation en eau du tuyau d'arrosage.
7. Démarrez le moteur et faites-le tourner jusqu'à ce que les débris s'évacuent du dessous du carter de coupe.



AVERTISSEMENT : Restez derrière la poignée pendant que le moteur tourne.

8. Arrêter le moteur.
9. Fermez l'alimentation en eau du tuyau d'arrosage.
10. Débranchez le tuyau d'arrosage du connecteur de l'orifice de lavage.
11. Démarrez le moteur et faites-le tourner de 2 à 3 minutes pour permettre au dessous du carter de coupe de sécher.



AVERTISSEMENT : N'essayez pas de tondre pendant l'utilisation de l'orifice de lavage.



AVERTISSEMENT : Ne pas essayer de regarder sous le carter de coupe ou de l'atteindre pour une raison quelconque lors de l'utilisation de l'orifice de lavage. De graves blessures peuvent en résulter.

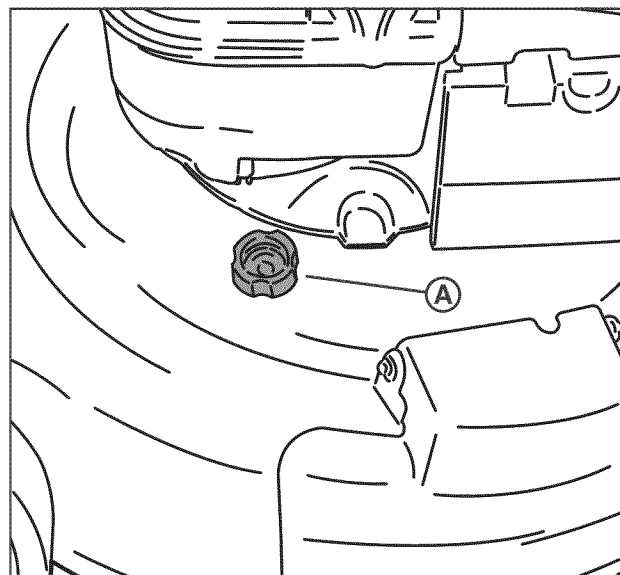


Figure 20: Orifice de lavage

Préparer la tondeuse pour le remisage



AVERTISSEMENT : Ne pas enlever l'essence alors que la machine est à l'intérieur d'un bâtiment, près d'un feu ou pendant que vous fumez. Les fumées d'essence peuvent créer une explosion ou déclencher un incendie.

1. Vidange du réservoir de carburant.
2. Laisser le moteur fonctionner jusqu'à ce qu'il consomme toute l'essence.
3. Drainer l'huile du moteur chaud. Remplir le carter du moteur avec de l'huile neuve.
4. Retirez la bougie d'allumage du cylindre. Versez une once d'huile dans le cylindre. Tirer lentement le levier du lanceur afin que l'huile protège le cylindre. Installer une nouvelle bougie dans le cylindre.

5. Nettoyez la poussière et les débris sur les ailettes de refroidissement du cylindre et le carter du moteur.
6. Nettoyez le dessous du carter de coupe.
7. Vérifier que le sac à herbe est vide. S'il restait de l'herbe ceci pourrait endommager le sac.
8. Nettoyer complètement la tondeuse afin de protéger la peinture.
9. Plier les poignées (si nécessaire).

MISE EN GARDE :Faites attention lorsque vous pliez ou soulevez la poignée. Ne détériorez pas les câbles. Un câble plié ne fonctionne pas correctement Avant d'utiliser l'unité, remplacez les câbles pliés ou endommagés.

10. Mettre l'unité dans un bâtiment qui dispose d'une bonne aération.

Dépannage

Le moteur ne devrait pas démarrer.

1. Vérifier que le réservoir de carburant est rempli d'essence propre. Ne pas utiliser d'essence ancienne.
2. Le faisceau de câbles est déconnecté. Branchez le faisceau de câbles.
3. Vérifier que le câble de la bougie est connecté à cette dernière.
4. Il y a trop d'essence dans le cylindre du moteur. Retirer la bougie et l'essuyer. Tirer le levier du lanceur plusieurs fois. Poser la bougie. Brancher le câble de la bougie. Démarrer le moteur.
5. Il est difficile de démarrer le moteur lorsque l'herbe est épaisse ou haute. Déplacer la tondeuse sur une surface propre et sèche.
6. Vérifier que le levier d'arrêt du moteur est sur la position fonctionnement.

Le moteur ne s'arrête pas.

1. Relâchez le levier d'arrêt du moteur.
2. Vérifier le câble d'arrêt du moteur. Remplacer le câble s'il est courbé ou endommagé

La performance du moteur est mauvaise.

1. Vérifiez les réglages de hauteur de coupe. Soulever la hauteur de coupe si l'herbe est trop haute.
2. Vérifier la partie supérieure du compartiment de la lame. Nettoyer le compartiment de la lame afin qu'il soit libre d'herbes et de débris.
3. Contrôler le câble de la bougie. S'assurer que le câble est branché.
4. Nettoyez les ailettes de refroidissement du moteur en retirant l'herbe et d'autres débris.
5. Contrôler l'écartement des électrodes. Veuillez consulter le manuel du moteur.
6. Vérifier la quantité d'huile dans le moteur. Remplir d'huile si nécessaire.
7. Vérifiez le filtre à air du moteur. Veuillez consulter le manuel du moteur.
8. L'essence est de mauvaise qualité. Faire la vidange et nettoyer le réservoir de carburant. Remplir le réservoir d'essence avec de l'essence propre.

Vibrations excessives.

1. Retirer la lame. Vérifier la lame et équilibrer si nécessaire. Voir les instructions d'entretien de la lame.
2. Vérifiez que la lame ne soit ni tordue ni cassée. Une lame endommagée est dangereuse et doit être remplacée.
3. Vérifiez le raccord de lame. Remplacer le raccord de la lame cassé.
4. Si la vibration continue, amenez la tondeuse dans un centre de service autorisé.

Le gazon ne se déchargera pas de manière correcte.

1. Nettoyez le dessous du carter de coupe.
2. Vérifiez que la lame ne soit pas complètement usée. Enlever et aiguiser la lame. Pour une question de sécurité, remplacer la lame tous les deux ans avec une lame originale.

L'herbe n'est pas coupée de manière uniforme.

1. Vérifier la hauteur de réglage de chaque roue. La hauteur de réglage doit être la même pour chaque roue.
2. Assurez-vous que la lame soit aiguisée.
3. Vérifiez que la lame ne soit ni tordue ni cassée. Une lame endommagée est dangereuse et doit être remplacée.
4. Contrôler si le raccord de la lame est cassé. Remplacer le raccord de la lame cassé.

BRIGGS & STRATTON POWER PRODUCTS GROUP, L.L.C. GARANTIE DU PROPRIÉTAIRE POLITIQUE

GARANTIE LIMITÉE

Si une pièce de cet équipement présente un vice de matériau ou de fabrication, Briggs & Stratton Power Products Group, LLC la réparera ou la remplacera gratuitement. Si une pièce du moteur Briggs and Stratton (si équipé) présente un vice de matériau ou de fabrication, Briggs & Stratton Corporation la réparera ou la remplacera gratuitement. Les frais de transport du produit à réparer ou remplacer seront, dans le cadre de cette garantie, réglés par l'acheteur. Cette garantie est en vigueur pour les périodes de temps et conformément aux conditions stipulées ci-dessous. Pour obtenir le service de garantie, veuillez vous adresser au distributeur autorisé le plus proche dont vous trouverez les coordonnées sur www.BriggsandStratton.com ou www.Snapper.com.

Il n'existe aucune autre garantie expresse. Les garanties implicites, y compris celles de qualité marchande et d'adaptation à un emploi particulier, sont limitées à une année à partir de la date d'acquisition ou conformément à ce qui est prévu par la loi. La responsabilité juridique pour les dommages consécutifs ou indirects est exclue dans la mesure où l'exclusion est autorisée par la loi.

Certains États ou pays ne permettent pas les limitations de durée de la garantie implicite. Certains États ou pays n'autorisent pas l'exclusion ou la limitation des dommages consécutifs ou indirects. Dans ce cas, la limitation ci-dessus ne s'applique pas à votre cas. La présente garantie vous offre des droits juridiques spécifiques et il se peut que vous ayez d'autres droits qui varient d'une juridiction à une autre, ou de pays à pays.

PÉRIODE DE GARANTIE

Article	Utilisation par le consommateur	Utilisation commerciale :
Équipement	2 années	90 jours
Moteur*	2 années	90 jours
Batterie	1 an	1 an

La garantie commence à la date d'acquisition du produit par le consommateur au détail ou commercial final, et continue tout au long de la période indiquée ci-dessus. « Utilisation par le consommateur » signifie que le produit sera utilisé par un consommateur au détail dans un but privé. « Utilisation commerciale » indique toutes les autres utilisations possibles, y compris commerciales, génératrices de revenus ou locatives. Une fois que le produit a été utilisé dans un but commercial, il sera considéré comme d'utilisation commerciale dans le cadre de cette garantie.

Aucun enregistrement de la garantie n'est nécessaire pour obtenir la garantie des produits de marque Briggs & Stratton. Veuillez garder le reçu de votre achat. Si vous ne pouvez pas fournir la preuve de l'achat au moment de faire une demande se rapportant à la garantie, la date de fabrication du produit sera utilisée pour déterminer l'admissibilité à la garantie.

À PROPOS DE VOTRE GARANTIE

Nous sommes totalement disponibles à réaliser des réparations dans le cadre de la garantie et nous nous prions d'accepter no excuses anticipées pour les désagréments éventuels. Le service de garantie est offert uniquement par l'intermédiaire des distributeurs autorisés par Briggs & Stratton ou BSPPG, LLC.

Parfois les demandes de réparations dans le cadre de la garantie peuvent ne pas être pertinentes. Cette garantie couvre uniquement les vices de matériau ou de fabrication. Elle ne couvre pas des dommages causés par une mauvaise utilisation ou des abus, un mauvais entretien ou une réparation incorrecte, une usure normale ou l'utilisation de carburant vicié ou non approuvé.

Mauvaise utilisation et abus - Une bonne utilisation, telle que prévue, du produit est décrite dans le manuel de l'opérateur. L'utilisation de la machine de façon autre que celle décrite dans le manuel de l'opérateur ou son utilisation après qu'elle ait été endommagée annulera la garantie. Vous ne pourrez vous prévaloir de la garantie si le numéro de série sur la machine a été supprimé ou si la machine a été modifiée d'une manière quelconque, ou si elle présente des preuves d'abus, tel que coups, corrosion par l'eau ou des produits chimiques.

Mauvais entretien ou réparation - Cette machine doit être entretenue conformément aux procédures et aux intervalles indiqués dans le manuel de l'opérateur, l'entretien et les réparations doivent être effectués avec des pièces d'origine Briggs & Stratton. Les dommages causés par un manque d'entretien ou l'utilisation de pièces n'étant pas d'origine ne sont pas couverts par la garantie.

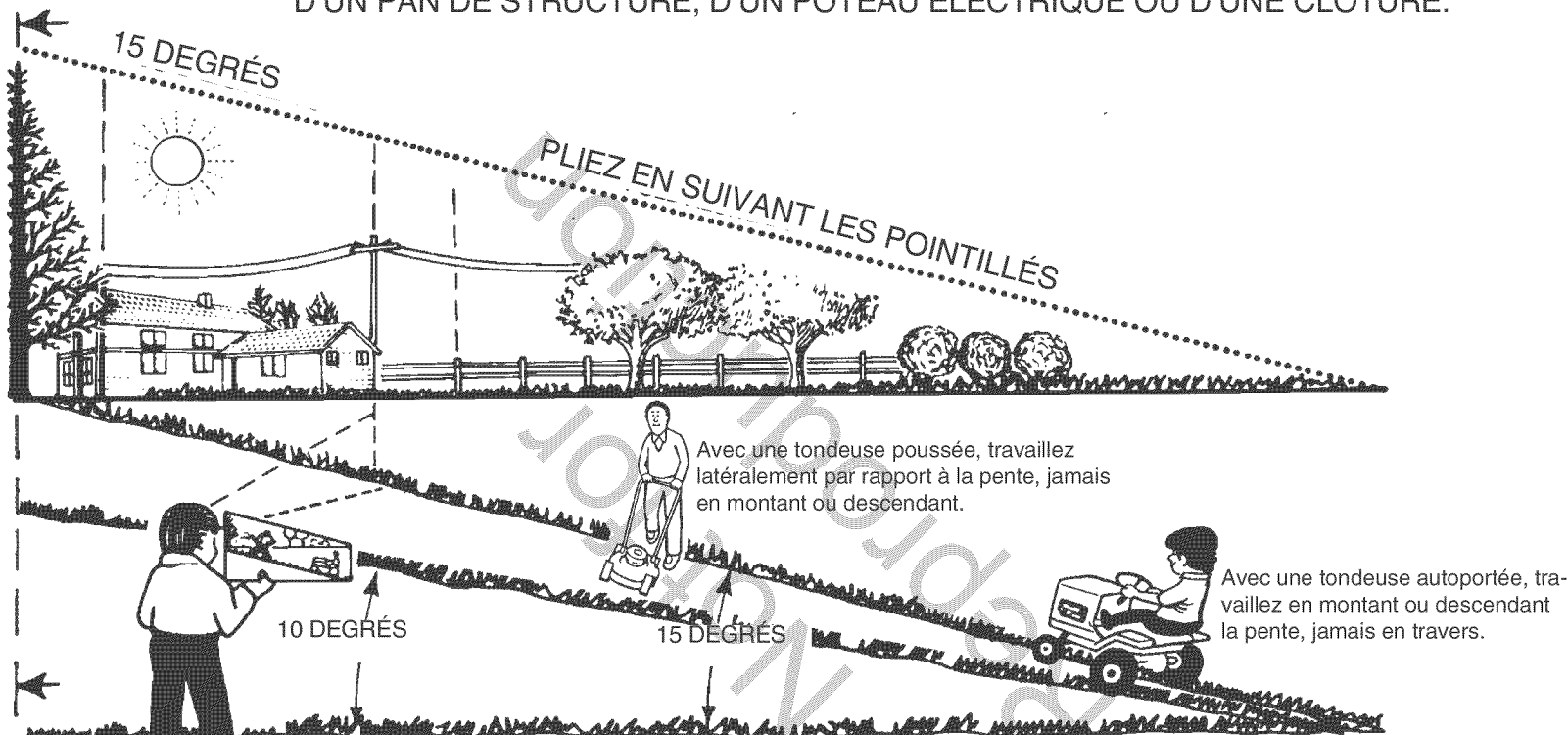
Usure normale - Comme tous les appareils mécaniques, malgré un bon entretien, le vôtre est sujet à une usure. La présente garantie ne couvre pas les réparations lorsque la durée de vie de la machine s'est achevée après une utilisation normale. Les articles d'entretien et d'usure, tels que filtres, courroies, lames et plaquettes de freins (les plaquettes de frein moteur sont couvertes) ne sont pas couverts par la garantie, uniquement en raison de leur caractéristique d'usure, à moins que la cause soit due à des vices du matériel ou de fabrication.

Carburant vicié - Afin de fonctionner correctement, cette machine doit être alimentée avec un carburant propre conforme au critère précisé dans le manuel de l'opérateur. Les dommages causés par un carburant vicié (fuites de carburant, conduites bouchées, soupapes collantes, etc.) ne sont pas couverts par la garantie.

* Concerne les moteurs Briggs and Stratton seulement. La couverture pour les moteurs autres que Briggs and Stratton est offerte par le fabricant du moteur.

CONSEILS POUR UTILISATION SUR PENTE

VISEZ EN ALIGNANT CE GUIDE DE NIVEAU AVEC LA VERTICALE D'UN ARBRE, D'UN PAN DE STRUCTURE, D'UN POTEAU ÉLECTRIQUE OU D'UNE CLÔTURE.



Avec une tondeuse autoportée, pour déterminer s'il est sans danger de tondre sur une pente : (1) débrayez la lame, (2) passez la tondeuse en marche arrière et (3) essayer de remonter la pente en reculant. Si c'est faisable, il est généralement sûr d'y tondre. Cependant si vous ne vous sentez pas à l'aise ou avez des doutes, utilisez ce guide et ne tondez pas si la pente fait plus de 15°. Si la tondeuse est utilisée avec une remorque ou un accessoire monté derrière, ne tondez pas si la pente fait plus de 10°.

Une pente à 15 degrés correspond à une élévation d'environ 2,5 mètres tous les 10 mètres.
 Une pente à 10 degrés correspond à une élévation d'environ 1,7 mètres tous les 10 mètres.



Faites très attention en permanence et évitez les virages et manœuvres brusques. Suivez les autres instructions de ce manuel pour la sécurité pendant la tonte sur pentes. Utilisez une tondeuse autoportée en montant ou descendant la pente, jamais en travers. Par contre avec une tondeuse autoportée, travaillez en montant ou descendant la pente, jamais en travers. Soyez particulièrement attentif quand vous travaillez sur ou près de pentes et obstructions.

SNAPPER®

22" Autopropulsé Tondeuse à pousser

Spécifications du produit	SPV2270HW / NSPV2270HW	SPV22725HW
Dimension du plateau (po)	22	22
Hauteur de coupe (po)	1.25 - 4	1.25 - 4
Type de transmission	Vitesse variable/Changement de vitesse	Vitesse variable/Changement de vitesse
Vitesse d'avancement (mph)	0 - 4.2	0 - 4.2
Puissance du moteur (pi-lb)	7.00	7.25
Cylindrée du moteur (cc)	190	190
Capacité du réservoir de carburant (pte)	1.0	1.0

Puissances nominales : Les étiquettes de puissance nominale brute pour les modèles de moteurs à essence individuels répondent au code J1940 (Small Engine Power & Torque Rating Procedure) de la SAE (Society of Automotive Engineers) ; et la performance nominale a été obtenue et corrigée conformément à SAE J1995 (Révision 2002-05). Les valeurs de couple sont dérivées à 3 060 tr/min ; les valeurs de puissance sont dérivées à 3 600 tr/min. Les courbes de puissance brute peuvent être consultées sur le site . Les valeurs données pour la puissance nette sont mesurées avec l'échappement ou le filtre à air installé tandis que les valeurs données pour la puissance brute sont recueillies sans ces accessoires. La puissance brute du moteur sera plus élevée que la puissance nette du moteur et elle affectée, entre autres, par les conditions atmosphériques de fonctionnement et les variations entre les moteurs. Étant donné la gamme étendue de produits sur lesquels les moteurs sont placés, il se peut que le moteur à essence ne développe pas la puissance nominale brute quand il est utilisé sous une version spécifique d'alimentation électrique. Cette différence est due à différents facteurs, y compris, mais sans toutefois s'y limiter, la diversité des composants du moteur (filtre à air, échappement, chargement, refroidissement, carburateur, pompe à carburant, etc.), la limite des applications, les conditions atmosphériques de fonctionnement (température, humidité, altitude) et les variations entre les moteurs. En raison des limites de fabrication et de capacité, Briggs & Stratton peut substituer un moteur d'une puissance nominale supérieure pour le moteur de cette série.