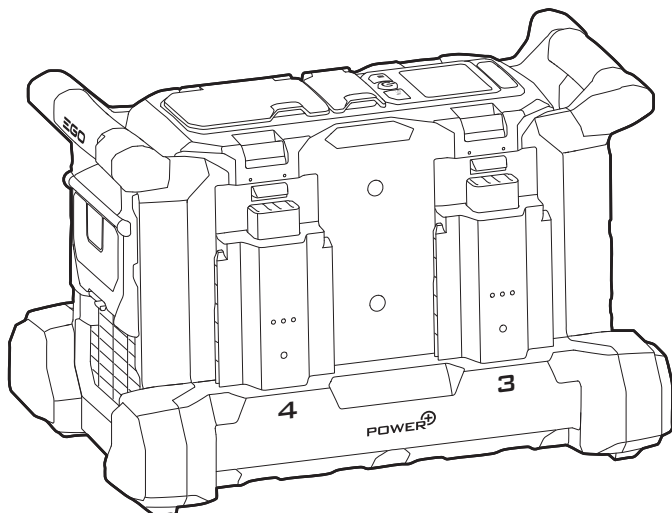


EGO™

POWER⁺ POWER STATION™



OPERATOR'S MANUAL

56-VOLT LITHIUM-ION POWER STATION

MODEL NUMBER PST1400/PST1400-FC

Français p. 31

Español p. 63

⚠ WARNING: To reduce the risk of injury, the user must read and understand the Operator's Manual before using this product. Save these instructions for future reference.

READ ALL INSTRUCTIONS!



READ & UNDERSTAND
OPERATOR'S MANUAL

TABLE OF CONTENTS

Safety Symbols	3
Important Safety Instructions	4-7
FCC Statement	8
Symbols	9
Introduction	10
Specifications	11
Packing List	12
Description	13-18
Assembly	18
Operation	19-24
Maintenance	25
Troubleshooting	26-27
EGO Limited Warranty	28-29

SAFETY SYMBOLS

The purpose of safety symbols is to attract your attention to possible dangers. The safety symbols and the explanations with them deserve your careful attention and understanding. The symbol warnings do not, by themselves, eliminate any danger. The instructions and warnings they give are no substitutes for proper accident prevention measures.

⚠ WARNING Be sure to read and understand all safety instructions in this Operator's Manual, including all safety alert symbols such as "**DANGER**", "**WARNING**", and "**CAUTION**" before using this machine. Failure to follow all instructions listed below may result in electric shock, fire, and/or serious personal injury.

The definitions below describe the level of severity for each signal word. Please read the manual and pay attention to these symbols.

	<p>This is the safety alert symbol. It is used to alert you to potential personal injury hazards. Obey all safety messages that follow this symbol to avoid possible injury or death.</p>
	<p>DANGER indicates a hazardous situation which, if not avoided, will result in death or serious injury.</p>
	<p>WARNING indicates a hazardous situation which, if not avoided, could result in death or serious injury.</p>
	<p>CAUTION, used with the safety alert symbol, indicates a hazardous situation which, if not avoided, will result in minor or moderate injury.</p>

DAMAGE PREVENTION AND INFORMATION MESSAGES

These inform the user of important information and/or instructions that could lead to equipment or other property damage if they are not followed. Each message is preceded by the word "**NOTICE**", as in the example below:

NOTICE Equipment and/or property damage may result if these instructions are not followed.

IMPORTANT SAFETY INSTRUCTIONS

⚠ WARNING When using this product, basic precautions should always be followed, including the following:

- Read all the instructions before using the product.
- To reduce the risk of injury, close supervision is necessary when the product is used near children.
- Do not put fingers or hands into the product.
- Use of an attachment not recommended or sold by power station manufacturer may result in a risk of fire, electric shock, or injury to people.
- To reduce risk of damage to the electric plug and cord, pull the plug rather than the cord when disconnecting the power station.
- Do not use a battery pack or appliance that is damaged or modified. Damaged or modified batteries may exhibit unpredictable behavior resulting in fire, explosion, or risk of injury.
- Do not operate the power station with a damaged cord or plug, or a damaged output cable.
- Do not disassemble the power station. Take it to a qualified service person when service or repair is required. Incorrect reassembly may result in a risk of fire or electric shock.
- To reduce the risk of electric shock, unplug the power station from the outlet before attempting any instructed servicing.

⚠ WARNING RISK OF EXPLOSIVE GASES

- To reduce risk of battery explosion, follow these instructions and those published by the battery manufacturer and manufacturer of the equipment you intend to use in the vicinity of the battery. Review cautionary marking on these products.

PERSONAL PRECAUTIONS

- NEVER smoke or allow a spark or flame in the vicinity of the battery.
- Be extra cautious to reduce the risk of dropping a metal tool onto the battery. It might spark or short circuit the battery or another electrical part that may cause explosion.
- When charging the internal battery, work in a well-ventilated area and do not restrict ventilation in any way.

- Under abusive conditions, liquid may be ejected from the battery; avoid contact. If contact accidentally occurs, flush with water. If liquid contacts eyes, additionally seek medical help. Liquid ejected from the battery may cause irritation or burns.
- Have plenty of fresh water and soap nearby in case battery acid contacts skin, clothing, or eyes.
- Wear complete eye protection and clothing protection. Avoid touching eyes while working near the battery.
- If battery acid contacts skin or clothing, wash immediately with soap and water. If acid enters eye, immediately flood eye with running cold water for at least 10 minutes and get medical attention immediately
- Do not expose a power station to fire or excessive temperature. Exposure to fire or temperature above 265 °F (130 °C) may cause explosion.
- Have servicing performed by a qualified repair person using only identical replacement parts. This will ensure that the safety of the product is maintained.

⚠ WARNING Read all safety warnings and instructions. Failure to follow the warnings and instructions may result in electric shock, fire, and/or serious injury.

Save all warnings and instructions for future reference

- **Risk of fire and electric shock. Dry location use only. Do not expose the power station to rain or wet conditions.** Water entering the power station will increase the risk of electric shock.
- **Risk of electric shock. Never use the power station to supply power tools to cut or access to live parts or live wirings, or materials that may contain live parts or live wirings inside, such as building walls, etc.**
- **For household use only.**
- **Do not allow the power station to be used as a toy.** Close attention is necessary when used by or near children.
- **The power station is not intended for any use other than charging small USB electronics or small AC devices specified in the “SPECIFICATIONS” section in this manual.** Any other use may result in damage.
- **Do not put fingers or hands into the power station.**
- **Switch off the power station when not in use.**
- **Prevent unintentional starting. Ensure the power station is turned off before connecting to battery pack, picking up, or carrying the power station.** Carrying the power station with your finger on the power button or energizing a power station that has been turned on invites accidents.

- **Disconnect the battery pack from the power station before making any adjustments, changing accessories, or storing the power station.** Such preventive safety measures reduce the risk of starting the power station accidentally.
- **Recharge only with the charger specified by the manufacturer.** A charger that is suitable for one type of battery pack may create a risk of fire when used with another battery pack.
- **Use power station only with specifically designated battery packs.** Use of any other battery packs may create a risk of injury and fire.
- **Use only with the battery packs listed below:**

BATTERY PACK
BA1400T, BA1400T-FC, BA2242T, BA2242T-FC, BA2800T, BA2800T-FC, BA3360T, BA3360T-FC, BA4200T, BA4200T-FC, BA4480T, BA4480T-FC, BA5600T, BA5600T-FC, BA6720T, BA6720T-FC

- **When battery pack is not in use, keep it away from other metal objects, like paper clips, coins, keys, nails, screws, or other small metal objects, that can make a connection from one terminal to another.** Shorting the battery terminals together may cause burns or a fire.
- **Do not use a battery pack or power station that is damaged or modified.** Damaged or modified batteries may exhibit unpredictable behavior resulting in fire, explosion, or risk of injury.
- **Follow all charging instructions and do not charge the battery pack or appliance outside of the temperature range specified in the instructions.** Charging improperly or at temperatures outside of the specified range may damage the battery and increase the risk of fire.
- **Do not modify or attempt to repair the power station or the battery pack except as indicated in the instructions for use and care.**
- **Store idle power stations out of the reach of children and do not allow people unfamiliar with the power station or these instructions to operate the power station.** Power stations are dangerous in the hands of untrained users.
- **Maintain the power station and accessories. Check for misalignment or breakage of parts and any other condition that may affect the power station's operation.** If damaged, have the power station repaired before use. Many accidents are caused by a poorly maintained power station.

COIN BATTERY

- The product contains non-replaceable batteries.
- Remove and immediately recycle or dispose of used batteries according to local regulations and keep away from children. Do NOT dispose of batteries in household trash or incinerate.
- Even used batteries may cause severe injury or death.
- Call a local poison control center for treatment information.
- The type of the coin battery: ICB1250 E6
- Nominal voltage of the coin battery: 3.85V
- Non-rechargeable batteries are not to be recharged.
- Do not force discharge, recharge, disassemble, heat above 140 °F (60 °C), or incinerate. Doing so may result in injury due to venting, leakage, or explosion, resulting in chemical burns.

WARNING

- **INGESTION HAZARD:** This product contains a button cell or coin battery.
- **DEATH** or serious injury can occur if ingested.
- A swallowed button cell or coin battery can cause **Internal Chemical Burns** in as little as **2 hours**.
- **KEEP** new and used batteries **OUT OF REACH of CHILDREN**
- **SEEK immediate medical attention** if a battery is suspected to be swallowed or inserted inside any part of the body.





FCC STATEMENT

1. This device complies with Part 15 of the FCC Rules. Operation is subject to the following two conditions:
 - 1) This device may not cause harmful interference.
 - 2) This device must accept any interference received, including interference that may cause undesired operation.
2. Changes or modifications not expressly approved by the party responsible for compliance could void the user's authority to operate the equipment.

NOTICE This equipment has been tested and found to comply with the limits for a Class B digital device, pursuant to Part 15 of the FCC Rules. These limits are designed to provide reasonable protection against harmful interference in a residential installation. This equipment generates, uses, and can radiate radio frequency energy and, if not installed and used in accordance with the instructions, may cause harmful interference to radio communications. However, there is no guarantee that interference will not occur in a particular installation. If this equipment does cause harmful interference to radio or television reception, which can be determined by turning the equipment off and on, the user is encouraged to try to correct the interference by one or more of the following measures: Reorient or relocate the receiving antenna. Increase the separation between the equipment and receiver. Connect the equipment into an outlet on a circuit different from that to which the receiver is connected. Consult the dealer or an experienced radio/TV technician for help.

SAVE THESE INSTRUCTIONS! Refer to them frequently and use them to instruct others who may use this product. If you loan this product to someone else, also loan these instructions to them to prevent misuse of the product and possible injury.

SAVE THESE INSTRUCTIONS!

SYMBOLS

This page depicts and describes symbols that may appear on this product. Read, understand, and follow all instructions on the product before attempting to assemble and operate.

	Safety Alert	Precautions that involve your safety
	Read & Understand Operator's Manual	To reduce the risk of injury, user must read and understand operator's manual before using this product.
	Bluetooth®	Bluetooth® Symbol
	Ingestion Hazard	This product contains a button cell or coin battery.
	Alternating Current (AC)	Type or a characteristic of current
	Direct Current (DC)	Type or a characteristic of current
V	Volt	Voltage
A	Amperes	Current
Hz	Hertz	Frequency (cycles per second)
W	Watt	Power
Ah	Ampere-hours	Battery Capacity
Min	Minutes	Time
kg	Kilograms	Weight
lbs	Pounds	Weight
°C	Degrees Celsius	Temperature
°F	Degrees Fahrenheit	Temperature



INTRODUCTION

Congratulations on your selection of the EGO 56V Lithium-ion Power Station. It has been designed, engineered, and manufactured to give you the best possible dependability and performance.

Should you experience any problem you cannot easily remedy, please contact **EGO customer service 1-855-EGO-5656**.

This manual contains important information on the safe assembly, operation, and maintenance of your product. Read it carefully before using the product. Keep this manual handy so you can refer to it at any time.

SERIAL NUMBER _____ DATE OF PURCHASE _____

YOU SHOULD RECORD BOTH SERIAL NUMBER AND DATE OF PURCHASE AND KEEP THEM IN A SAFE PLACE FOR FUTURE REFERENCE

SPECIFICATIONS

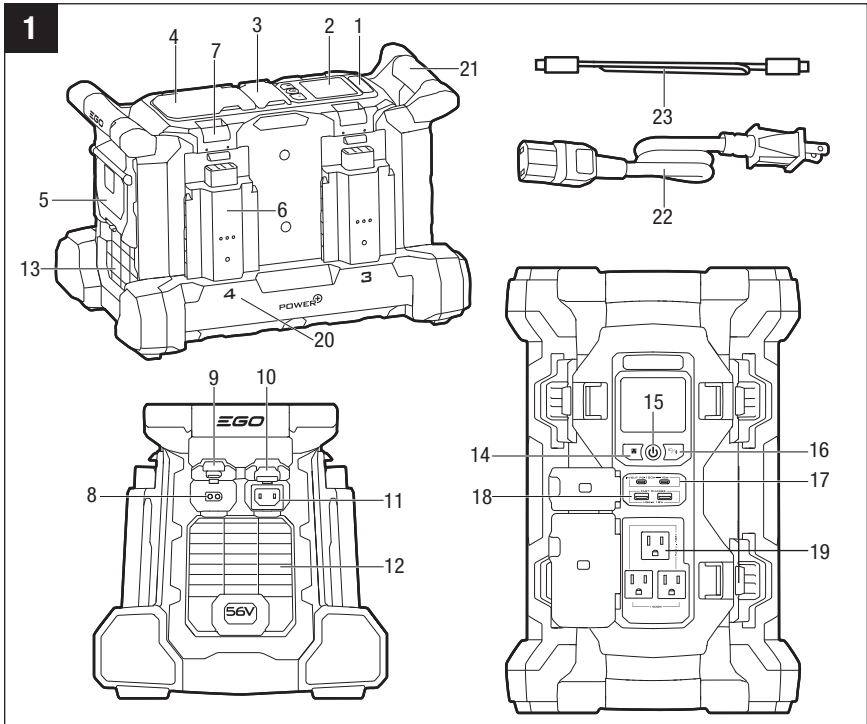
Discharging	Input Voltage	56V
	USB-A Output x 2	5V , 9V , 12V , 3A Max, up to 18W
	USB-C Output	5V , 9V , 12V , 3A Max, up to 18W
	USB-C Input/Output	5V , 9V , 12V , 3A Max, 20V , 5A Max, up to 100W
	AC Output x 3	120V~ 60Hz, 1400W, 2100W Peak (3 AC ports combined)
Charging	AC Input	120V~ 60Hz, 1400W Max
	AC Charging Input	120V~ 60Hz, 900W max
	Solar Input	12V (EGO Solar Panel SP1000/ SP1000-FC), 24V (EGO Solar Panel SP2000/SP2000-FC), up to 200W
	USB-C Input/Output	5V , 9V , 12V , 3A Max, 20V , 5A Max, up to 100W
Output Wave Form	Pure Sine Wave	
Recommended Charging Temperature	41 – 104°F (5 – 40°C)	
Recommended Discharging Temperature	5 – 104°F (-15 – 40°C)	
Recommended Storage Temperature	-4 – 158 °F (-20 – 70 °C)	
Weight (Without battery pack)	17.6 lbs (8 kg)	

PACKING LIST

PART NAME	QUANTITY
Power Station	1
AC Power Cord	1
USB-C Charging Cable (stored in the storage compartment)	1
Operator's Manual	1

DESCRIPTION

KNOW YOUR POWER STATION (Fig. 1)



- | | |
|---------------------------|---------------------------------|
| 1. LED Work Light | 9. Solar Input Cover |
| 2. LCD Screen | 10. AC Input Cover |
| 3. USB Port Cover | 11. AC Input Port |
| 4. AC Port Cover | 12. Air Outlets |
| 5. Storage Compartment | 13. Air Inlets |
| 6. Battery Bay (x 4) | 14. AC Output Control Button |
| 7. Battery-release Button | 15. Power Button |
| 8. Solar Input Port | 16. Work Light/Bluetooth Button |

- | | |
|---|--------------------------|
| 17. USB-C Port (left: input/
output & right: output) | 21. Handle (x 2) |
| 18. USB-A Port (x 2) | 22. Power Cord |
| 19. AC Port (x 3) | 23. USB-C Charging Cable |
| 20. Battery Number (x 4) | |

Handle

To help lift and carry the power station.

LCD Screen

To display the working status of the power station.

LED Work Light

Provides illumination for increased visibility.

Battery-release Button

Press to release the battery pack from the machine.

Battery Bay

To connect the battery pack(s) to the machine.

Battery Number

Indicates the number that corresponds to each battery icon on the LCD screen.

Power Cord

The 14 AWG power cord is used to connect the power station to AC power.

Power Button

To turn on/off the power station.

AC and USB Ports

To connect with AC and USB devices. There are 4 AC ports (1 x input, 3 x output) and 4 USB ports (1 x USB-C input/output, 1 x USB-C output, 2 x USB-A output).

Solar Input Port

To connect with EGO Solar Panel SP1000/SP1000-FC/SP2000/SP2000-FC.

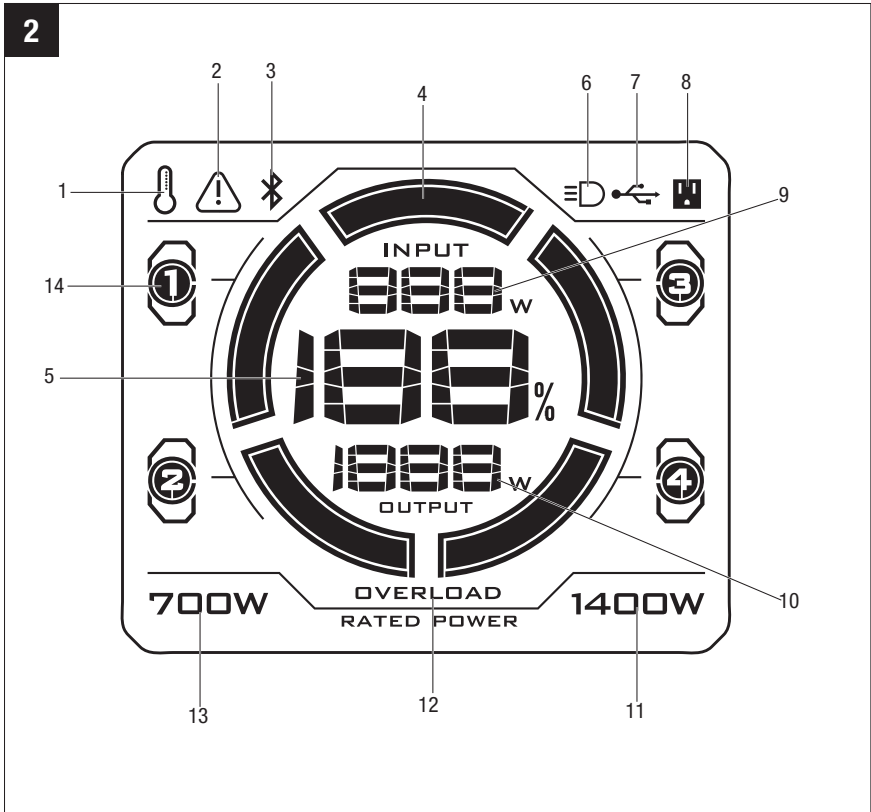
AC Output Control Button

To switch on/off the AC port output.

Work Light/Bluetooth Button

Changes the brightness of the headlight and supports Bluetooth connection.

KNOW THE ICONS AND INDICATORS ON THE LCD SCREEN (Fig. 2)



- | | |
|-------------------------------|-------------------------|
| 1. High-temperature Indicator | 8. AC Icon |
| 2. Fault Indicator | 9. Total Input Power |
| 3. Bluetooth® Indicator | 10. Total Output Power |
| 4. Fuel-gauge Circle | 11. Rated Power (1400W) |
| 5. Average Battery Charge | 12. Overload Indicator |
| 6. Work Light Icon | 13. Rated Power (700W) |
| 7. USB Icon | 14. Battery Icon (x 4) |

High-temperature Indicator

Indicates either an over-temperature battery or power station has been detected.

Fault Indicator

Indicates a fault that requires immediate servicing.

Bluetooth Indicator

Indicates the Bluetooth® connection status.

NOTE: The Bluetooth® word mark and logos are registered trademarks owned by Bluetooth SIG, inc. and any use of such marks by EGO is under license.

Fuel-gauge Circle

Displays the average charge capacity of the inserted battery packs.

Average Battery Charge

Displays the average charge level of the inserted battery packs.

Work Light Icon

Indicates the LED work light is on.

USB Icon

Indicates the USB ports are activated.

AC Icon

Indicates the AC ports are activated.

Total Input Power

Displays the total input power of the power station.

Total Output Power

Displays the total output power of the power station.

Rated Power (700W or 1400W)

Displays the rated maximum continuous output power of the battery pack(s) installed. The rated power can be either 700W or 1400W depending on the capacity and number

of battery packs installed on the power station. Install more and/or greater capacity battery packs to access the maximum rated power of 1400W.

Overload Indicator

Indicates the power station is overloaded.

Battery Icon (x 4)

Indicates battery bays in use. A battery icon with a white circle indicates the corresponding battery bay has an attached battery pack. A battery icon with a black circle indicates the corresponding battery bay does not have an attached battery pack.

ASSEMBLY

⚠ WARNING If any parts are damaged or missing, do not operate this product until the parts are replaced. Use of this product with damaged or missing parts could result in serious personal injury.

⚠ WARNING Do not attempt to modify this product or create accessories not recommended for use with this product. Any such alteration or modification is misuse and could result in a hazardous condition leading to possible serious personal injury.

⚠ WARNING To prevent accidental starting that could cause serious personal injury, always remove the battery pack from the product when you are assembling parts, making adjustments, cleaning, or when the product is not in use.

UNPACKING

- This product has been shipped completely assembled.
- Carefully remove the product and any accessories from the box. Make sure that all items listed in the packing list are included.
- Inspect the product carefully to make sure that no breakage or damage occurred during shipping.
- Do not discard the packing material until you have carefully inspected and satisfactorily operated the product.
- If any parts are damaged or missing, please return the product to the place of purchase.

OPERATION

⚠ WARNING Do not allow familiarity with this product to make you careless. Remember that a careless fraction of a second is sufficient to inflict serious injury.

⚠ WARNING Do not use any attachments or accessories not recommended by the manufacturer of this product. The use of attachments or accessories not recommended can result in serious personal injury.

⚠ WARNING Do not modify or attempt to repair the power station except indicated in the instructions for use and care.

Before each use, inspect the entire product for damaged, missing, or loose parts such as screws, nuts, bolts, caps, etc. Tighten securely all fasteners and caps and do not operate this product until all missing or damaged parts are replaced.

APPLICATIONS

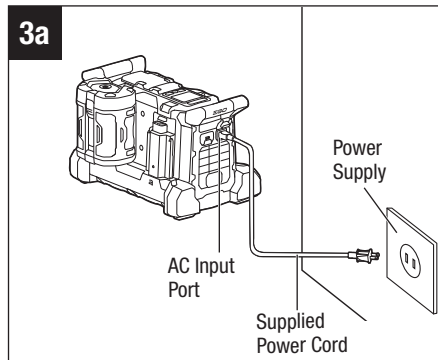
You may use this product for power emergencies, camping, and any time you need power for long periods of time.

NOTE: The machine is to be used only for its intended purpose. Any other use is deemed a misuse.

CHARGING EGO BATTERY PACKS

1. Connect the power station to the power source and make sure that the connections are secure and reliable:
 - Open the AC input cover on the side of the power station, then connect the AC input port to the power supply (120V~, 60Hz) using the supplied 14 AWG power cord (Fig. 3a).

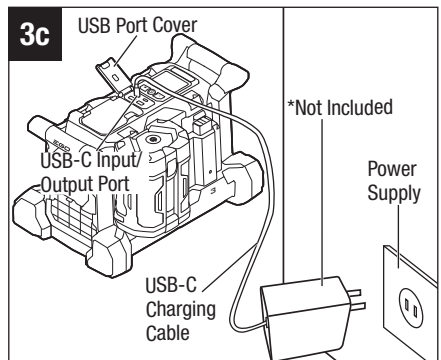
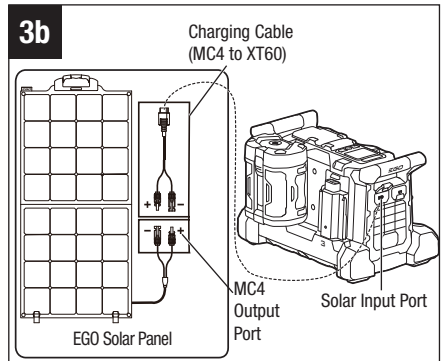
NOTICE Always use a 14 AWG or higher AWG power cord.



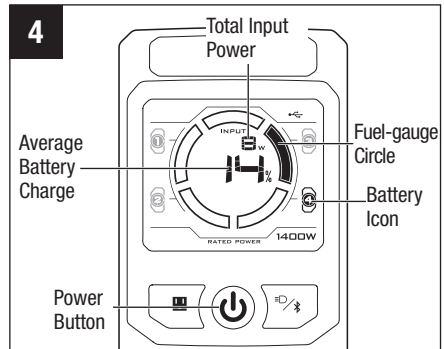
- Open the solar input cover on the side of the power station, then connect the solar input port to the EGO Solar Panel SP1000/SP1000-FC/SP2000/SP2000-FC using the charging cable that comes with the solar panel (Fig. 3b).
- Open the USB port cover, then connect the USB-C input/output port (5/9/12/20V, up to 100 W), the left USB-C port under USB port cover, to a power source (120V~, 60Hz) using the provided USB-C charging cable and a USB charger (not included).

NOTE: You cannot charge the battery pack(s) using more than one power source at the same time, even if they are all connected to the power station. Power source utilization priority of the power station: AC input > solar input > USB-C input.

2. Align the raised ribs of the battery pack with the mounting slot in one of the battery bays of the power station; slide the battery pack down onto the power station until the battery snaps into position. Make sure that the battery pack is securely attached to the power station.
3. The power station will start self-testing and all indicators on the LCD screen will display for a few seconds. Then the LCD screen will recover to normal interface and only relevant indicators will be displayed.
4. The power station communicates with the battery pack and begins charging.



5. The total input power indicator, average battery charge indicator, and corresponding battery icon(s) will display on the LCD screen (Fig. 4).
6. When charging is completed, the average battery charge indicator will display 100%. Press and hold the power button until the power station turns off.
7. If more than one battery pack is installed, the power station will charge the battery pack with the lowest charge first. When the charges of the installed battery packs reach the same level, the power station will start charging the battery packs simultaneously. All battery packs will be fully charged at the same time.



NOTICE EGO battery packs are equipped with an advanced, self-maintenance function that will automatically perform a self-discharge operation after one month of storage. The battery packs will be in sleep mode and retain 30% of their charge. For best emergency performance and readiness in the event of an unexpected power outage, we recommend charging the battery packs approximately once a month to ensure they are always fully charged.

POWERING THE AC/USB DEVICES

NOTICE For optimum performance, fully charge all EGO battery packs before use. A battery should be charged in a location where the temperature is greater than 41 °F (5 °C) and less than 104 °F (40 °C).

To Install Battery Pack

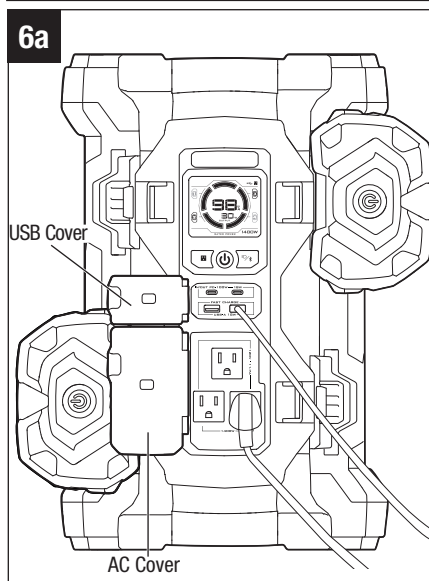
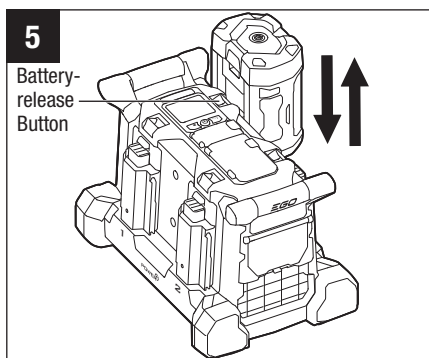
Align the ribs of the battery pack with the mounting slots in the battery bay and slide the battery pack down until it snaps into position.

To Remove Battery Pack

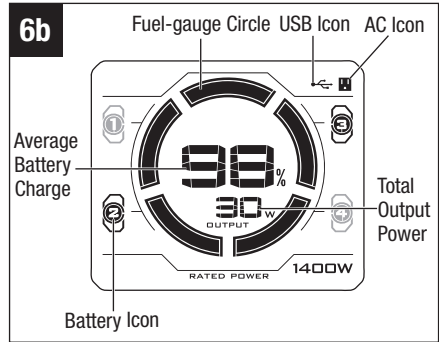
⚠ WARNING Always be aware of the location of your feet, children, or pets when pressing the battery-release button. Serious injury could result if the battery pack falls. NEVER remove the battery pack high off the ground.

Depress the battery-release button and the battery pack will disengage from the latch. Grasp the battery pack and remove it from the power station.

1. Mount battery(s) securely onto any battery bay of the power station (Fig. 5).
2. Open the USB port cover and/or AC port cover; connect the USB and/or AC devices to any ports on the power station (Fig. 6a).
3. Press and hold the power button until it lights up to turn on the power station. The power station will be in self-check mode and all indicators on the LCD screen will display for a few seconds. Then the LCD screen will recover to normal interface and only relevant indicators will be displayed.



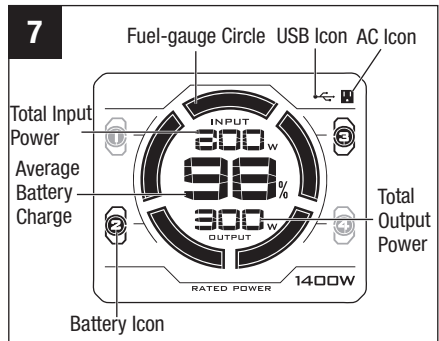
4. If you connected a USB device in step 2, it will start charging now, as the USB ports are always active. For this reason, the USB icon on the LCD screen is always displayed after powering on the power station (Fig. 6b).
5. The LCD screen will display the total output power indicator, average battery charge indicator, and the corresponding battery icon(s) (Fig. 6b).
6. If you connected an AC device in step 2, press the AC output control button to activate the three AC output ports. The AC icon will display on the LCD screen (Fig. 6b).



BATTERY PACK CHARGING WITH DEVICE POWERING

The power station can charge the EGO battery pack(s) and power AC/USB device(s) at the same time.

1. Connecting the power station with power supply, EGO battery pack(s) and AC/USB device(s) as described in the “**CHARGING EGO BATTERY PACKS**” and “**POWERING THE AC/USB DEVICES**” sections earlier in this manual.
2. The LCD screen will display the total input power indicator, total output power indicator, average battery charge indicator, and the corresponding battery icon(s) (Fig. 7).



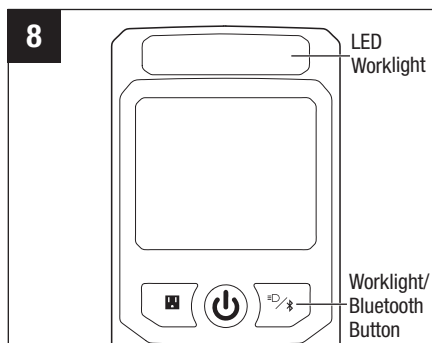
NOTICE When the power station is charging the EGO battery pack(s) and powering AC/USB device(s) at the same time, its total power is 1400W. If the sum of the total input power and total output power exceeds 1400W, the power station will reduce input power (slow down the charging speed) to ensure the power supply for AC/USB device(s).

LED WORK LIGHT (Fig. 8)

The LED work light is located above the LCD screen. The work light provides extra illumination for increased visibility and can be adjusted to two brightness levels.

To turn on the work light, press the work light/Bluetooth button. The work light icon will display on the LCD screen (see Fig. 2). Press the work light/Bluetooth button a second time and the work light will shine brighter.

To turn off the work light, press the work light/Bluetooth button a third time. The work light icon will disappear.



BLUETOOTH® WIRELESS TECHNOLOGY

Products with built-in Bluetooth® wireless technology can connect to mobile devices using EGO apps. Please visit www.egopowerplus.com for instructions and follow the guidance in the EGO Connect App on how to connect and use the Bluetooth® function.

The Bluetooth® indicator will light up when the machine is connected to your mobile device.

MAINTENANCE

⚠ WARNING When servicing, only use identical replacement parts. Use of any other parts may create a hazard or cause product damage. To ensure safety and reliability, all repairs should be performed by a qualified service technician.

⚠ WARNING To avoid serious personal injury, always turn the power station off and remove all battery packs from the product when cleaning or performing any maintenance.

GENERAL MAINTENANCE

Avoid using solvents when cleaning plastic parts. Most plastics are susceptible to damage from various types of commercial solvents and may be damaged by their use. Use a clean cloth to remove dirt, dust, oil, grease, etc.

⚠ WARNING Do not at any time allow brake fluids, gasoline, petroleum-based products, penetrating oils, etc. to come in contact with plastic parts. Chemicals can damage, weaken, or destroy plastic, which may result in serious personal injury.

TRANSPORTING AND STORING

⚠ CAUTION Observe the lifting procedures during transportation.

- Disconnect all devices and remove battery packs before moving, transporting or storing the power station.
- Turn off the power station.
- Lift the power station by grasping the handles with both hands: one on each handle.
- Clean the power station thoroughly before storing it.
- Store the power station indoors, in a dry place that is inaccessible to children.
- Keep away from corrosive agents such as garden chemicals and deicing salts.

TROUBLESHOOTING

PROBLEM	CAUSE	SOLUTION
<p>The power station does not work.</p>	<ul style="list-style-type: none"> ■ Bad connection between the power station and the power source. ■ No battery pack attached. ■ No electrical contact between the power station and battery pack. ■ The power station is not turned on. ■ The battery pack charge is depleted (the corresponding battery icon will flashes). ■ The system will automatically shut down after 2 hours if the USB output is less than 2W and the AC output is less than 5W. 	<ul style="list-style-type: none"> ■ Reconnect the power station to the power source. ■ Attach at least one battery pack to the power station. ■ Remove battery pack, check contacts and reattach the battery pack. ■ Press and hold the power button to turn on the power station. ■ Charge the battery pack. ■ Restart the power station by pressing and holding the power button.
<p>The high-temperature indicator displays on the LCD screen and disappears after 1 minute. The power station stops working.</p>	<ul style="list-style-type: none"> ■ The power station is too hot. 	<ul style="list-style-type: none"> ■ Turn off and cool the power station thoroughly until the power station can work.
<p>The corresponding battery icon(s) flashes and the high-temperature indicator displays on the LCD screen and disappears after 1 minute. The power station stops working.</p>	<ul style="list-style-type: none"> ■ The power station or battery pack is too hot. 	<ul style="list-style-type: none"> ■ Turn off and cool the power station and battery pack thoroughly until the power station can work.

PROBLEM	CAUSE	SOLUTION
The overload indicator displays on the LCD screen and the AC icon disappears. The power station stops working.	<ul style="list-style-type: none">■ The actual output power is greater than the rated power.	<ul style="list-style-type: none">■ Reduce the number of devices connected, or use low-load devices. Make sure the total output power is less than the rated power shown on the LCD screen. Reactivate the AC ports.
The fault indicator displays on the LCD screen. The power station stops working.	<ul style="list-style-type: none">■ One or more faults other than the ones listed above have occurred.	<ul style="list-style-type: none">■ Contact EGO customer service for help.
The corresponding battery icon(s) flashes on the LCD screen.	<ul style="list-style-type: none">■ Communication failure.	<ul style="list-style-type: none">■ Contact EGO customer service for help.



EGO LIMITED WARRANTY

WARRANTY POLICY TERMS AND DURATION

Chervon North America, Inc. (“Chervon North America, Naperville, IL 60563”) provides the following Limited Warranty for EGO products to the original purchaser of EGO products.

The detailed warranty period for each EGO product can be found online at <http://egopowerplus.com/warranty-policy>.

Please contact EGO Customer Service Toll-Free at 1-855-EGO-5656 any time you have questions or warranty claims.

LIMITED SERVICE WARRANTY

EGO products are warranted against defects in material or workmanship from the date of original retail purchase for the applicable warranty period. For any properly and timely submitted warranty claim, if Chervon North America determines a product to be defective during the warranty period, the product will receive free repair or replacement as determined by Chervon North America.

HOW TO OBTAIN SERVICE

For warranty service, within the applicable warranty period, please contact EGO customer service toll-free at **1-855-EGO-5656**. When requesting warranty service, you must present the original dated sales receipt. An authorized service center will be selected to evaluate and repair the product if defective according to the stated warranty terms. When bringing your product to the authorized service center, there may be a small deposit that will be required when dropping off your tool. This deposit is refundable when the repair service is deemed to be covered under warranty. The purchaser is responsible for transportation of any outdoor power equipment or attachments at their expense.

ADDITIONAL LIMITATIONS & EXCLUSIONS

This limited warranty applies only to the original purchaser from an authorized EGO retailer and is not transferable. EGO products shall not be considered defective, and this warranty will not apply, where the claimed defect is attributable to any cause other than the above-defined defects. This warranty shall be void if the product has been used for rental purposes. This warranty shall not apply to damage caused by accident, abuse, misuse, alteration, modification, unauthorized repair, liquid contact, fire, earthquake or other external cause; operating the product outside EGO's instructions, specifications or guidelines; or failure to properly service or maintain the product. This warranty also does not apply to cosmetic damage, including but not limited to scratches or dents; defects caused by normal wear and tear or otherwise due to the normal aging of the product.

THIS EXPRESS WARRANTY IS GIVEN IN LIEU OF ALL OTHER WARRANTIES, EXPRESS OR IMPLIED, INCLUDING, BUT NOT LIMITED TO, ANY WARRANTIES OF MERCHANTABILITY OR FITNESS FOR PARTICULAR PURPOSE OR USE, WHICH ARE DISCLAIMED. Any implied warranties, including warranties of merchantability or fitness for a particular purpose, that cannot be disclaimed under state law are limited to the applicable warranty period defined at the beginning of this article. The sole and exclusive remedy in connection with the purchase, installation, use, and/or performance of the EGO products is repair or replacement of the product as determined by Chervon North America. Chervon North America's maximum liability shall not in any case exceed the purchase price paid for the product. CHERVON NORTH AMERICA SHALL NOT BE LIABLE TO THE USER OR TO ANYONE ELSE FOR CONSEQUENTIAL, INCIDENTAL, SPECIAL, EXEMPLARY, INDIRECT, OR PUNITIVE DAMAGES ARISING FROM USE OF THE PRODUCTS, INCLUDING BUT NOT LIMITED TO PERSONAL INJURY, DEATH, PROPERTY DAMAGE, LOST PROFITS, OR OTHER ECONOMIC INJURY. This warranty gives you specific legal rights, and you may also have other rights which vary from state to state. Some states do not allow limitations on how long an implied warranty lasts, the exclusion or limitation of incidental or consequential damages, or the limitations on time to bring certain actions, so such limitations contained herein do not apply to individual consumers in those states.

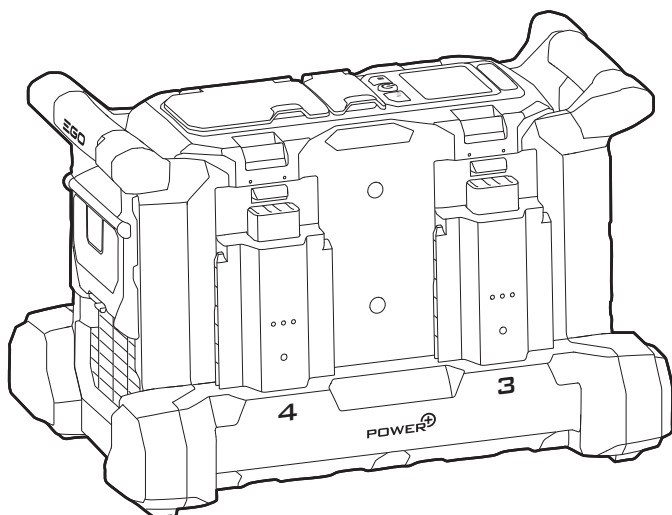
This warranty is subject to and shall be interpreted according to Michigan law without regard to principles of conflicts of laws. No legal action shall be brought against Chervon North America unless filed within one (1) year after the basis for such legal action becomes known, or with the exercise of reasonable diligence should have become known. Any action not timely filed shall be deemed waived.

For customer service contact us toll-free at: **1-855-EGO-5656** or **EGOPOWERPLUS.COM**.

EGO Customer Service
769 Seward Ave. NW, Suite 102
Grand Rapids, Michigan 49504.

EGO™

POWER⁺ POWER STATION™



MODE D'EMPLOI

STATION D'ALIMENTATION ÉLECTRIQUE AU LITHIUM-ION DE 56 VOLTS

NUMÉRO DE MODÈLE PST1400/PST1400-FC

⚠ AVERTISSEMENT : Afin de réduire les risques de blessure, l'utilisateur doit lire et comprendre le guide d'utilisation avant d'utiliser ce produit. Conservez le présent guide afin de pouvoir le consulter ultérieurement.

LISEZ TOUTES LES INSTRUCTIONS !



LISEZ LE MODE D'EMPLOI, ET
ASSUREZ-VOUS QUE VOUS LE COMPRENEZ.

TABLE DES MATIÈRES




Symboles relatifs à la sécurité	33
Consignes de sécurité importantes	34-38
Déclaration de la FCC	39
Symboles	40
Introduction	41
Spécifications	41-42
Liste des pièces	42
Description	43-48
Assemblage	49
Fonctionnement	50-55
Entretien	56
Recherche de la cause des problèmes	57-58
Garantie limitée EGO	59-60

SYMBOLES RELATIFS À LA SÉCURITÉ

Les symboles relatifs à la sécurité ont pour but d'attirer votre attention sur les dangers possibles. Les symboles relatifs à la sécurité et les explications qui les accompagnent méritent votre attention et nécessitent votre compréhension. Les symboles d'avertissement n'éliminent pas à eux seuls tout danger. Les instructions et les avertissements qu'ils donnent ne remplacent pas les mesures appropriées de prévention des accidents.

⚠ AVERTISSEMENT Veuillez à lire et à comprendre toutes les consignes de sécurité contenues dans ce Mode d'emploi, y compris tous les symboles d'alerte de sécurité tels que « **DANGER** », « **AVERTISSEMENT** » et « **MISE EN GARDE** », avant d'utiliser cette machine. La non-observation de toutes les instructions figurant ci-après pourrait causer un choc électrique, un incendie et/ou des blessures graves.

Les définitions ci-dessous décrivent le niveau de gravité de chaque mot indicateur. Veuillez lire le mode d'emploi et prêter attention à ces symboles.

	Ceci est le symbole d'alerte de sécurité. Il est utilisé pour vous avertir des risques de blessures. Respectez tous les messages de sécurité qui suivent ce symbole afin d'éviter tout risque de blessure ou de décès.
	DANGER indique une situation dangereuse qui, si elle n'est pas évitée, causera la mort d'une personne ou une blessure grave.
	AVERTISSEMENT indique une situation dangereuse qui, si elle n'est pas évitée, causera la mort d'une personne ou une blessure grave.
	MISE EN GARDE, conjointement avec le symbole d'alerte en liaison avec la sécurité, indique une situation dangereuse qui, si elle n'est pas évitée, causera une blessure légère ou modérée.

MESSAGES D'INFORMATION ET PRÉVENTION DES DOMMAGES

Ils communiquent à l'utilisateur des informations et/ou des instructions importantes qui, si elles ne sont pas respectées, pourraient endommager l'équipement ou d'autres biens. Chaque message est précédé du mot « **AVIS** », comme dans l'exemple ci-dessous :

AVIS Le non-respect de ces instructions peut entraîner des dommages matériels et/ou endommager l'équipement.

CONSIGNES DE SÉCURITÉ IMPORTANTES

⚠ AVERTISSEMENT Lors de l'utilisation de ce produit, des précautions de base doivent toujours être prises, notamment les suivantes :

- Lisez toutes les instructions avant d'utiliser le produit.
- Pour réduire le risque de blessure, une surveillance attentive est nécessaire lorsque le produit est utilisé à proximité d'enfants.
- Ne mettez pas les doigts ou les mains dans le produit.
- L'utilisation d'un attachement non recommandé ou vendu par le fabricant de la station d'alimentation électrique peut entraîner un risque d'incendie, de choc électrique ou de blessure.
- Pour réduire le risque d'endommager la fiche et le cordon électriques, tirez sur la fiche plutôt que sur le cordon lorsque vous débranchez la station d'alimentation électrique.
- N'utilisez pas un bloc-piles ou un équipement qui est endommagé ou qui a été modifié. Les piles endommagées ou modifiées peuvent avoir un comportement imprévisible et provoquer un incendie, une explosion ou des blessures.
- Ne faites pas fonctionner la station d'alimentation électrique avec un cordon ou une fiche endommagé(e), ou un câble de sortie endommagé.
- Ne démontez pas la station d'alimentation électrique. Confiez-la à un technicien qualifié en cas de besoin de réparation ou d'entretien. Un remontage incorrect peut entraîner un risque d'incendie ou de choc électrique.
- Pour éviter tout risque de choc électrique, débranchez la station d'alimentation électrique de la prise de courant avant d'effectuer toute opération d'entretien nécessaire.

⚠ AVERTISSEMENT RISQUE DE GAZ EXPLOSIFS

- Pour réduire le risque d'explosion de la pile, suivez ces instructions et celles qui sont publiées par le fabricant de la pile et le fabricant de l'équipement que vous avez l'intention d'utiliser à proximité de la pile. Examinez les mises en garde figurant sur ces produits.

PRÉCAUTIONS PERSONNELLES

- Ne fumez JAMAIS et ne laissez JAMAIS d'étincelle ou de flamme à proximité de la pile.
- Soyez très prudent(e) afin de réduire le risque de chute d'un outil métallique sur la pile. Ceci pourrait provoquer des étincelles ou un court-circuit de la pile ou d'une autre pièce électrique, ce qui pourrait entraîner une explosion.

- Lorsque vous chargez la pile interne, travaillez dans un endroit bien ventilé et ne limitez pas la ventilation de quelque manière que ce soit.
- Dans des conditions d'utilisation abusives, du liquide pourrait être éjecté de la pile; évitez tout contact avec ce liquide. En cas de contact accidentel, lavez avec de l'eau. En cas de contact de liquide avec les yeux, consultez un professionnel de santé. Tout liquide éjecté d'une pile peut causer de l'irritation ou des brûlures.
- Prévoyez beaucoup d'eau douce et de savon à proximité au cas où l'acide de la pile entrerait en contact avec la peau, les vêtements ou les yeux.
- Portez un équipement complet de protection des yeux et des vêtements de protection. Évitez de vous toucher les yeux lorsque vous travaillez à proximité de la pile.
- Si l'acide de la pile entre en contact avec la peau ou les vêtements, lavez immédiatement avec de l'eau et du savon. En cas de pénétration d'acide dans l'œil, inondez immédiatement l'œil avec de l'eau froide du robinet pendant au moins 10 minutes et consultez immédiatement un médecin.
- N'exposez pas une station d'alimentation électrique à un feu ou à une température excessive. L'exposition au feu ou à une température supérieure à 130 °C / 265 °F peut provoquer une explosion.
- Faites entretenir votre produit par un réparateur compétent n'utilisant que des pièces de rechange identiques. Ceci assurera le maintien de la sécurité du produit.

⚠ AVERTISSEMENT Lisez toutes les consignes de sécurité et toutes les instructions. La non-observation des avertissements et des instructions pourrait causer un choc électrique, un incendie et/ou des blessures graves.

Conservez tous les avertissements et toutes les instructions pour référence ultérieure.

- **Risques d'incendie et de choc électrique. Utilisation dans un endroit sec uniquement. N'exposez pas la station d'alimentation électrique à la pluie ou à l'humidité.** L'eau qui pénètre dans la station d'alimentation électrique augmente le risque de choc électrique.
- **Risque de choc électrique. N'utilisez jamais la station d'alimentation électrique pour alimenter des outils électriques afin de couper ou d'accéder à des pièces ou des câbles sous tension, ou à des matériaux pouvant contenir des pièces ou des câbles sous tension à l'intérieur, tels que les murs d'un bâtiment, etc.**
- **Pour utilisation résidentielle seulement.**

- **Ne laissez pas la station d'alimentation électrique être utilisée comme un jouet.** Une attention particulière est nécessaire lorsqu'elle est utilisée par des enfants ou à proximité de ceux-ci.
- **La station d'alimentation électrique n'est pas destinée à une utilisation autre que la charge de petits appareils électroniques USB ou de petits appareils c.a. indiqués dans la section « SPÉCIFICATIONS » de ce mode d'emploi.** Toute autre utilisation peut entraîner des dommages.
- **Ne mettez pas les doigts ou les mains dans la station d'alimentation électrique.**
- **Mettez la station d'alimentation électrique hors tension lorsqu'elle n'est pas utilisée.**
- **Prévenez une mise en marche accidentelle. Assurez-vous que la station d'alimentation électrique est hors tension avant de la connecter au bloc-piles, ou de la soulever ou de la transporter.** Le fait de porter la station d'alimentation électrique avec le doigt sur le bouton d'alimentation ou de mettre sous tension une station d'alimentation électrique déjà allumée invite les accidents.
- **Déconnectez le bloc-piles de la station d'alimentation électrique avant d'effectuer des réglages, de changer d'accessoires ou de la ranger.** Ces mesures de sécurité préventives réduisent le risque de démarrage accidentel de la station d'alimentation électrique.
- **Ne rechargez la station qu'avec le chargeur indiqué par le fabricant.** Un chargeur qui est approprié pour un type de bloc-piles pourrait créer un risque d'incendie quand il est utilisé avec un autre bloc-piles.
- **N'utilisez les stations d'alimentation électrique qu'avec des piles spécialement désignées à cet effet.** L'emploi de tout autre bloc-piles risquerait de causer des blessures et un incendie.
- **À n'utiliser qu'avec les blocs-piles listés ci-dessous :**

BLOC-PILES

BA1400T, BA1400T-FC, BA2242T, BA2242T-FC, BA2800T, BA2800T-FC, BA3360T, BA3360T-FC, BA4200T, BA4200T-FC, BA4480T, BA4480T-FC, BA5600T, BA5600T-FC, BA6720T, BA6720T-FC

- **Lorsque le bloc-piles n'est pas utilisé, tenez-le à l'écart d'autres objets métalliques, comme des trombones, des pièces de monnaie, des clés, des clous, des vis ou d'autres petits objets métalliques, qui pourraient se connecter d'une borne à l'autre.** Le court-circuitage des bornes d'une pile pourrait causer des brûlures ou un incendie.

- **N'utilisez pas un bloc-piles ou une station d'alimentation électrique qui est endommagé ou qui a été modifié.** Les piles endommagées ou modifiées peuvent avoir un comportement imprévisible et provoquer un incendie, une explosion ou des blessures.
- **Suivez toutes les instructions relatives à la charge et ne chargez pas le bloc-piles ou la lanterne en dehors de la plage de température indiquée dans les instructions.** Une charge dans des conditions appropriées ou à des températures en dehors de la plage spécifiée pourrait endommager les piles et augmenter le risque d'incendie.
- **Ne modifiez pas et ne tentez pas de réparer la station d'alimentation électrique ou le bloc-piles, sauf conformément à ce qui est indiqué dans les instructions d'entretien et d'utilisation.**
- **Conservez les stations d'alimentation électrique à l'arrêt hors de portée des enfants et ne permettez pas à des personnes ne connaissant pas de telles stations ou ces instructions de l'utiliser.** Les stations d'alimentation électrique sont dangereuses entre les mains d'utilisateurs non formés.
- **Entretenez correctement la station d'alimentation électrique et ses accessoires. Vérifiez qu'il n'y a pas de désalignement ou de rupture de pièces, ni aucune autre condition susceptible d'affecter le fonctionnement de la station.** Si elle est endommagée, faites-la réparer avant de l'utiliser. De nombreux accidents sont causés par une station d'alimentation électrique mal entretenue.

PILE PLATE

- Le produit contient des piles non remplaçables.
- Retirez les piles usagées et recyclez-les immédiatement ou mettez-les au rebut conformément aux réglementations locales, et tenez-les hors de portée des enfants. Ne jetez pas les piles dans les ordures ménagères et ne les incinerez pas.
- Des piles même usagées peuvent causer des blessures graves, voire mortelles.
- Appelez un centre antipoison local pour obtenir des informations sur le traitement.
- Le type de la pile plate : ICB1250 E6
- Tension nominale de la pile plate : 3,85 V
- Les piles non rechargeables ne doivent pas être rechargées.
- Ne déchargez ou ne rechargez pas en forçant, ne démontez pas, ne chauffez pas à plus de 60 °C / 140 °F et n'incinerez pas. Vous risquez de vous blesser en cas de ventilation, de fuite ou d'explosion entraînant des brûlures chimiques.

⚠ AVERTISSEMENT

- **RISQUE D'INGESTION** : Ce produit contient une pile bouton ou une pile en forme de pièce de monnaie.
- L'ingestion de ce produit peut entraîner la **MORT** ou des blessures graves.
- Si elle est avalée, une pile bouton ou une pile en forme de pièce de monnaie peut provoquer des **brûlures chimiques internes** en seulement **deux heures**.
- **TENEZ** les piles neuves et usagées **HORS DE PORTÉE DES ENFANTS**
- **Consultez immédiatement un médecin** si vous soupçonnez qu'une pile a été avalée ou insérée à l'intérieur d'une partie quelconque du corps.



DÉCLARATION DE LA FCC

1. Cet appareil est conforme à la Partie 15 des Règlements de la FCC. Son utilisation est autorisée moyennant le respect des deux conditions suivantes :
 - 1) Cet appareil ne doit pas provoquer d'interférences nuisibles.
 - 2) Cet appareil doit accepter toute interférence reçue, y compris les interférences susceptibles de provoquer un fonctionnement indésirable.
2. Les changements ou modifications non expressément approuvés par la partie responsable de la conformité peuvent annuler l'autorité de l'utilisateur à faire fonctionner l'équipement.

AVIS Cet équipement a été testé et déclaré conforme aux limites pour un appareil numérique de classe B, conformément à la Partie 15 des règles de la FCC. Ces limites sont conçues pour fournir une protection raisonnable contre les interférences nuisibles dans une installation résidentielle. Cet équipement génère, utilise et peut émettre des fréquences radio et, s'il n'est pas installé et utilisé conformément aux instructions, il peut causer des interférences nuisibles aux communications radio. Cependant, il n'y a aucune garantie que des interférences ne se produiront pas dans une installation particulière. Si cet appareil provoque des interférences nuisibles à la réception de la radio ou de la télévision, ce qui peut être déterminé en éteignant et en allumant l'appareil, l'utilisateur est encouragé à essayer de corriger les interférences en prenant une ou plusieurs des mesures suivantes : Réorienter ou déplacer l'antenne de réception. Augmentez la distance entre l'équipement et le récepteur. Branchez l'appareil dans une prise de courant située sur un circuit différent de celui dans lequel le récepteur est branché. Consultez le revendeur ou un technicien radio/TV expérimenté pour obtenir de l'aide.

CONSERVEZ CES INSTRUCTIONS ! Consultez-les fréquemment et utilisez-les pour instruire d'autres personnes susceptibles d'utiliser ce produit. Si vous prêtez ce produit à quelqu'un d'autre, prêtez-lui également ces instructions afin d'éviter une mauvaise utilisation du produit et d'éventuelles blessures.

CONSERVEZ CES INSTRUCTIONS !

SYMBOLES

Cette page représente et décrit les symboles qui peuvent figurer sur ce produit. Lisez, comprenez et suivez toutes les instructions figurant sur le produit avant de tenter de l'assembler et de commencer à l'utiliser.

	Alerte relatives à la sécurité	Précautions en liaison avec votre sécurité
	Lisez le mode d'emploi, et assurez-vous que vous le comprenez.	Pour réduire le risque de blessure, l'utilisateur doit lire le mode d'emploi et s'assurer qu'il le comprend avant d'utiliser ce produit.
	Bluetooth®	Symbole Bluetooth®
	Risque d'ingestion	Ce produit contient une pile bouton ou une pile plate.
	Courant alternatif (c.a.)	Type ou caractéristique du courant
	Courant continu (c.c.)	Type ou caractéristique du courant
V	Volts	Tension
A	Ampères	Courant
Hz	Hertz	Fréquence (cycles par seconde)
W	Watts	Puissance
Ah	Ampères-heures	Capacité de la pile
Min.	Minutes	Temps
kg	Kilogrammes	Poids
livres	Livres	Poids
°C	Degrés Celsius	Température
°F	Degrés Fahrenheit	Température

INTRODUCTION

Félicitations pour votre choix de la station d'alimentation électrique au lithium-ion EGO de 56 V. Elle a été conçue, développée et fabriquée pour vous donner le plus possible de fiabilité et la meilleure performance possible.

Si vous rencontrez un problème auquel vous ne pouvez pas remédier facilement, veuillez contacter le **service à la clientèle d'EGO au 1-855-EGO-5656**.







Ce mode d'emploi contient des informations importantes sur l'assemblage, l'utilisation et l'entretien de votre produit en toute sécurité. Lisez-le attentivement avant d'utiliser le produit. Conservez ce mode d'emploi à portée de main afin de pouvoir vous y référer à tout moment.

NUMÉRO DE SÉRIE DATE D'ACHAT _____

VEUILLEZ ENREGISTRER LE NUMÉRO DE SÉRIE ET LA DATE D'ACHAT, ET LES CONSERVER DANS UN ENDROIT SÛR POUR TOUTE RÉFÉRENCE ULTÉRIEURE.

SPÉCIFICATIONS

Décharge	Tension d'entrée	56 V
	Sortie USB-A x 2	5 V , 9 V , 12 V , 3 A Max., jusqu'à 18 W
	Sortie USB-C	5 V , 9 V , 12 V , 3 A Max., jusqu'à 18 W
	Entrée/sortie USB-C	5 V , 9 V , 12 V , 3 A Max., 20 V , 5 A Max, jusqu'à 100 W
	Sortie c.a. x 3	120 V ~ 60 Hz 1 400 W, 2 100 W crête (3 ports c.a. combinés)

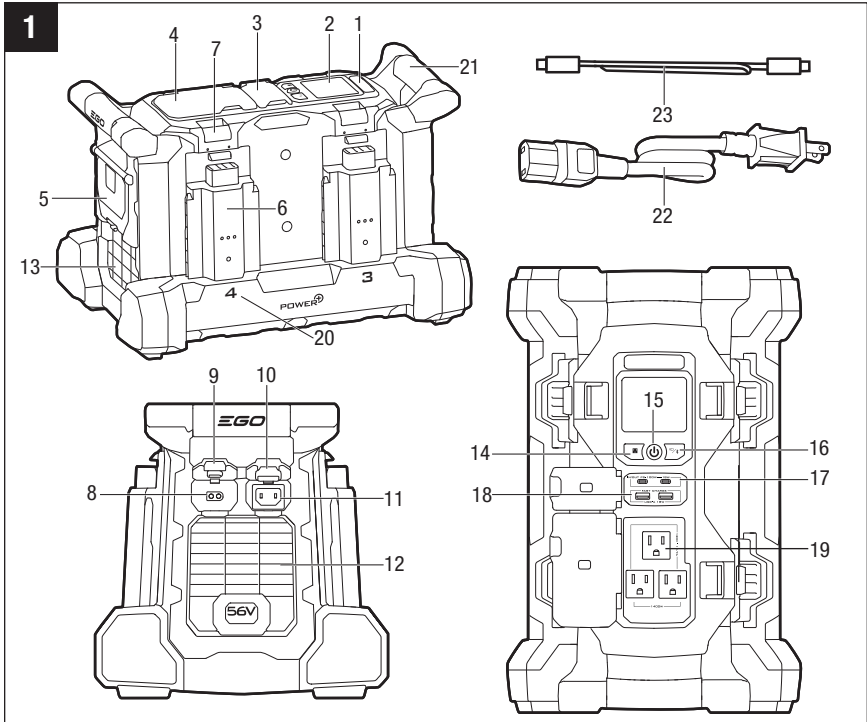
Charge	Entrée c.a.	120 V ~ 60 Hz, jusqu'à 1 400 W
	Entrée de charge c.a.	120 V ~ 60 Hz, jusqu'à 900 W
	Entrée solaire	12 V  (panneau solaire EGO SP1000/SP1000-FC), 24 V  (panneau solaire EGO SP2000/SP2000-FC), jusqu'à 200 W
	Entrée/sortie USB-C	5 V  , 9 V  , 12 V  , 3 A Max., 20 V  , 5 A Max., jusqu'à 100 W
Forme d'onde de sortie	Onde sinusoïdale pure	
Température de charge recommandée	5 – 40 °C / 41 – 104 °F	
Température de décharge recommandée	-15 – 40 °C / 5 – 104 °F	
Température de stockage recommandée	-20 – 70 °C / -4 – 158 °F	
Poids (sans le bloc-piles)	17,6 lb/ 8 kg	

LISTE DES PIÈCES

NOM DE LA PIÈCE	QUANTITÉ
Station d'alimentation électrique	1
Cordon d'alimentation c.a.	1
Câble de recharge USB-C (rangé dans le compartiment de rangement)	1
Mode d'emploi	1

DESCRIPTION

FAMILIARISEZ-VOUS AVEC VOTRE STATION D'ALIMENTATION ÉLECTRIQUE (Fig. 1)



- | | |
|------------------------------|------------------------------------|
| 1. Lampe de travail à DEL | 7. Bouton d'éjection du bloc-piles |
| 2. Écran ACL | 8. Port de l'entrée solaire |
| 3. Cache du port USB | 9. Cache de l'entrée solaire |
| 4. Cache du port c.a. | 10. Cache de l'entrée c.a. |
| 5. Compartiment de rangement | 11. Port d'entrée c.a. |
| 6. Logement des piles (x 4) | 12. Sorties d'air |

- | | |
|--|---------------------------|
| 13. Entrées d'air | 19. Port c.a. (x 3) |
| 14. Bouton de contrôle de la sortie c.a. | 20. Nombre de piles (x 4) |
| 15. Bouton de mise sous tension/hors tension | 21. Poignée (x 2) |
| 16. Bouton de la lampe de travail/Bluetooth | 22. Cordon d'alimentation |
| 17. Port USB-C (gauche : entrée/sortie et droite : sortie) | 23. Câble de charge USB-C |
| 18. Port USB-A (x 2) | |

Poignée

Pour aider à soulever et à transporter la station d'alimentation électrique.

Écran ACL

Pour afficher l'état de fonctionnement de la station d'alimentation électrique.

Lampe de travail à DEL

Fournit un éclairage pour une meilleure visibilité.

Bouton d'éjection du bloc-piles

Appuyez sur ce bouton pour détacher le bloc-piles de la machine.

Compartiment des piles

Attache le(s) bloc(s)-piles à la machine.

Numéro de la pile

Indique le numéro correspondant à chaque icône de pile sur l'écran ACL.

Cordon d'alimentation

Le cordon d'alimentation de calibre 14 AWG est utilisé pour connecter la station d'alimentation électrique au courant alternatif.

Bouton de mise sous tension/hors tension

Pour allumer/éteindre la station d'alimentation électrique.

Ports c.a. et USB

Pour connecter des appareils c.a. et USB. Il y a 4 ports c.a. (1 x entrée, 3 x sorties) et 4 ports USB (1 x entrée/sortie USB-C, 1 x sortie USB-C, 2 x sorties USB-A).

Port de l'entrée solaire

Pour raccorder au panneau solaire EGO SP1000/SP1000-FC/SP2000/SP2000-FC.

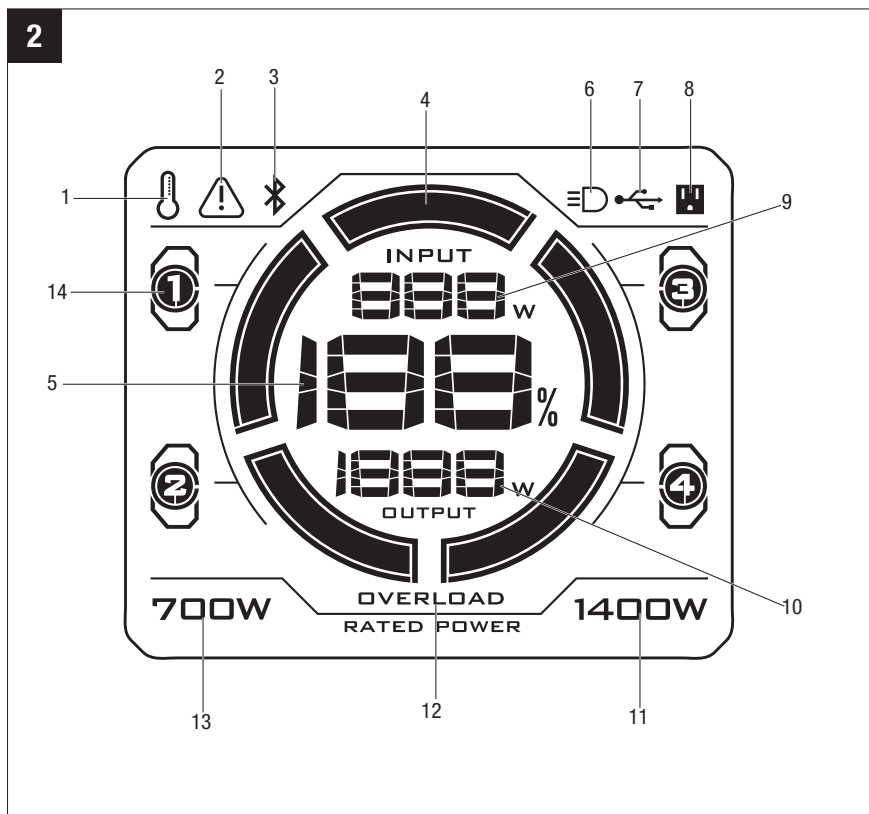
Bouton de contrôle de la sortie c.a.

Pour activer/désactiver la sortie du port c.a.

Bouton de la lampe de travail/Bluetooth

Modifie la luminosité du phare et prend en charge la connexion Bluetooth.

SIGNIFICATION DES ICÔNES ET DES VOYANTS/INDICATEURS SUR L'ÉCRAN ACL (Fig. 2)



- | | |
|------------------------------------|----------------------------------|
| 1. Indicateur de haute température | 8. Icône c.a. |
| 2. Indicateur de défectuosité | 9. Puissance d'entrée totale |
| 3. Indicateur Bluetooth® | 10. Puissance de sortie totale |
| 4. Cercle de jauge de carburant | 11. Puissance nominale (1 400 W) |
| 5. Charge moyenne de la pile | 12. Indicateur de surcharge |
| 6. Icône de lampe de travail | 13. Puissance nominale (700 W) |
| 7. Icône USB | 14. Icône de pile (x 4) |

Indicateur de haute température

Indique qu'une surchauffe de la pile ou de la station d'alimentation électrique a été détectée.

Indicateur de défectuosité

Indique un problème qui nécessite une intervention immédiate.

Indicateur Bluetooth

Indique l'état de la connexion Bluetooth®.

REMARQUE : La marque du mot Bluetooth® et les logos correspondants sont des marques déposées appartenant à Bluetooth SIG, Inc., et toute utilisation de ces marques par EGO est effectuée sous licence.

Cercle de jauge de carburant

Affiche la capacité de charge moyenne des blocs-piles insérés.

Charge moyenne de la pile

Affiche le niveau de charge moyen des blocs-piles insérés.

Icône de lampe de travail

Indique que la lampe de travail à DEL est allumée.

Icône USB

Indique que les ports USB sont activés.

Icône c.a.

Indique que les ports c.a. sont activés.

Puissance d'entrée totale

Affiche la puissance d'entrée totale de la station d'alimentation électrique.

Puissance de sortie totale

Affiche la puissance de sortie totale de la station d'alimentation électrique.

Puissance nominale (700 W ou 1 400 W)

Affiche la puissance de sortie continue maximale nominale du ou des blocs-piles installés. La puissance nominale peut être de 700 W ou 1 400 W en fonction de la capacité et du nombre de piles installées dans la station d'alimentation électrique. Installez des piles plus nombreuses et/ou de plus grande capacité pour atteindre la puissance nominale maximale de 1 400 W.

Indicateur de surcharge

Indique que la station d'alimentation électrique est surchargée.

Icône de pile (x 4)

Indique les compartiments des piles qui sont en cours d'utilisation. Une icône de pile avec un cercle blanc indique que le compartiment de la pile correspondante contient une pile. Une icône de pile avec un cercle noir indique que le compartiment de la pile correspondante ne contient pas de pile.

ASSEMBLAGE

⚠ AVERTISSEMENT Si certaines pièces sont endommagées ou manquantes, n'utilisez pas ce produit avant que ces pièces aient été remplacées. L'utilisation de ce produit avec des pièces endommagées ou manquantes pourrait causer des blessures graves.

⚠ AVERTISSEMENT Ne tentez pas de modifier ce produit ou de créer des accessoires qu'il n'est pas recommandé d'utiliser avec ce produit. Une telle altération ou modification constituerait une utilisation abusive et pourrait créer une situation dangereuse avec risque de blessures graves.

⚠ AVERTISSEMENT Pour empêcher tout démarrage accidentel qui pourrait causer une blessure grave, retirez toujours le bloc-piles du produit lorsque vous effectuez le montage de pièces, des réglages ou le nettoyage – ou quand le produit n'est pas utilisé.

DÉBALLAGE

- Ce produit é été complètement assemblé avant l'expédition.
- Retirez le produit et tous les accessoires de la boîte en prenant les précautions nécessaires. Assurez-vous que tous les articles indiqués sur la liste des pièces sont inclus.
- Inspectez attentivement le produit pour vous assurer qu'aucun dommage ou bris de pièce(s) ne s'est produit pendant le transport.
- Ne jetez pas les matériaux d'emballage avant d'avoir inspecté attentivement le produit et de l'avoir mis en marche de façon satisfaisante.
- Si une pièce quelconque est endommagée ou manquante, veuillez rapporter le produit dans le magasin où vous l'avez acheté.

FONCTIONNEMENT

⚠ AVERTISSEMENT Ne laissez pas l'habitude de l'utilisation de ce produit vous empêcher de prendre toutes les précautions requises. N'oubliez jamais qu'une fraction de seconde d'inattention suffit pour entraîner de graves blessures.

⚠ AVERTISSEMENT N'utilisez pas d'attachelements ou d'accessoires qui ne sont pas recommandés par le fabricant de ce produit. L'utilisation d'attachelements ou d'accessoires qui ne sont pas recommandés peut causer des blessures graves.

⚠ AVERTISSEMENT Ne modifiez pas et ne tentez pas de réparer la station d'alimentation électrique, sauf conformément à ce qui est indiqué dans les instructions d'entretien et le mode d'emploi.

Avant chaque utilisation, inspectez périodiquement l'intégralité du produit pour vous assurer qu'il n'y a pas de pièces endommagées, manquantes ou desserrées comme des vis, des écrous, des boulons, des capuchons, etc. Serrez à fond tous les dispositifs de fixation et capuchons, et ne vous servez pas de ce produit avant que toutes les pièces manquantes ou endommagées aient été remplacées.

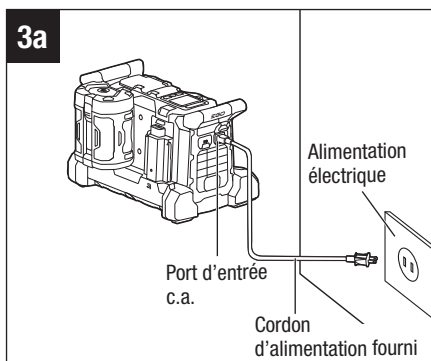
APPLICATIONS

Vous pouvez utiliser ce produit en cas d'urgence électrique, en camping et chaque fois que vous avez besoin d'électricité pendant de longues périodes.

REMARQUE : La machine ne doit être utilisée que pour l'usage auquel elle est destinée. Toute autre utilisation sera considérée comme une utilisation abusive.

CHARGE DES BLOCS-PILES EGO

1. Connectez la station d'alimentation électrique à la source d'alimentation et assurez-vous que les connexions sont sûres et fiables :
 - Ouvrez le couvercle de l'entrée c.a. sur le côté de la station d'alimentation électrique, puis connectez le port d'entrée c.a. à l'alimentation électrique (120 V~, 60 Hz) à l'aide du cordon d'alimentation de calibre 14 AWG fourni (Fig. 3a).

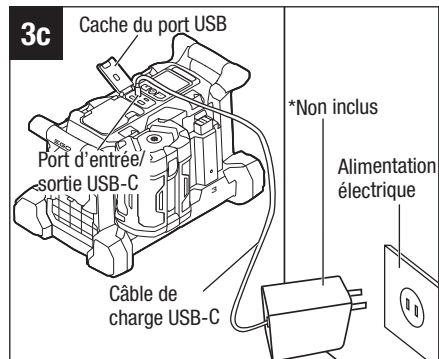
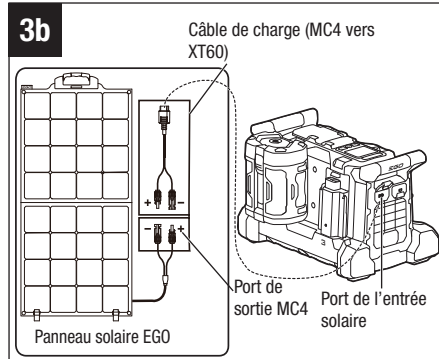


AVIS Utilisez toujours un cordon d'alimentation de calibre 14 AWG ou supérieur.

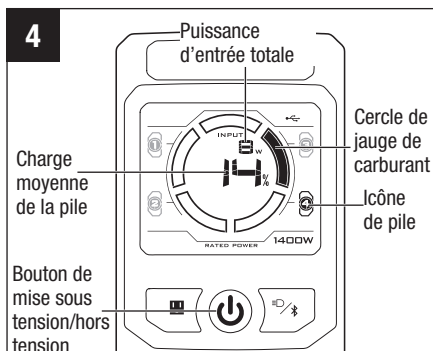
- Ouvrez le cache de l'entrée solaire sur le côté de la station d'alimentation électrique et raccordez l'entrée solaire au panneau solaire EGO SP1000/SP1000-FC/SP2000/SP2000-FC à l'aide du câble de charge fourni avec le panneau solaire (Fig. 3b).
- Ouvrez le cache du port USB, puis connectez le port d'entrée/sortie USB-C (5/9/12/20 V, jusqu'à 100 W), le port USB-C gauche sous le cache du port USB, à une source d'alimentation (120 V~, 60 Hz) à l'aide du câble de charge USB-C fourni et d'un chargeur USB (non inclus).

REMARQUE : Vous ne pouvez pas charger le(s) bloc(s)-piles en utilisant plus d'une source d'alimentation en même temps, même si elles sont toutes connectées à la station d'alimentation électrique. Priorité d'utilisation de la source d'énergie de la station d'alimentation électrique : Entrée c.a. > entrée solaire > entrée USB-C.

2. Aligned les nervures surélevées du bloc-piles sur la fente de montage de l'un des compartiments de la station d'alimentation électrique ; faites glisser la pile vers le bas sur la station d'alimentation électrique jusqu'à ce qu'elle s'enclenche en position. Assurez-vous que le bloc-piles est bien attaché à la station d'alimentation électrique.
3. La station d'alimentation électrique commencera à s'autotester et tous les indicateurs de l'écran ACL s'afficheront pendant quelques secondes. L'écran ACL reviendra ensuite à l'interface normale, et seuls les indicateurs pertinents sont affichés.
4. La station d'alimentation électrique communique avec le bloc-piles et commence à le charger.



5. L'indicateur de puissance d'entrée totale, l'indicateur de charge moyenne de la pile et les icônes de piles correspondantes s'afficheront sur l'écran ACL (Fig. 4).
6. Lorsque la charge est terminée, l'indicateur de charge moyenne de la pile affiche 100 %. Appuyez sur le bouton d'alimentation et maintenez-le enfoncé jusqu'à ce que la station d'alimentation électrique s'éteigne.



7. Si plus d'un bloc-piles est installé, la station d'alimentation électrique chargera d'abord le bloc-piles dont la charge est la plus faible. Lorsque les charges des piles installées atteignent le même niveau, la station d'alimentation électrique commence à charger les piles simultanément. Tous les blocs-piles seront entièrement chargés en même temps.

AVIS Les piles EGO sont équipées d'une fonction avancée d'auto-entretien qui effectue automatiquement une opération d'autodécharge après un mois de stockage. Les piles seront en mode de veille et conserveront 30 % de leur charge. Pour une performance et une préparation optimales en cas de panne de courant inattendue, nous recommandons de charger les piles environ une fois par mois afin de s'assurer qu'elles sont toujours complètement chargées.

ALIMENTATION DES APPAREILS c.a./USB

AVIS Pour obtenir une performance optimale, chargez complètement tous les blocs-piles EGO avant de les utiliser. Pour obtenir les meilleurs résultats possibles, votre pile doit être chargée dans un endroit où la température est supérieure à 5 °C / 41 °F et inférieure à 40 °C / 104 °F.

Installation du bloc-piles

Alignez les nervures du bloc-piles sur les fentes de montage du compartiment des piles et faites glisser le bloc-piles jusqu'à ce qu'il s'enclenche en position.

Retrait du bloc-piles

⚠ AVERTISSEMENT Soyez toujours conscient(e) de l'emplacement de vos pieds, des enfants ou des animaux de compagnie lorsque vous appuyez sur le bouton d'éjection du bloc-piles. La chute du bloc-piles pourrait causer des blessures graves.

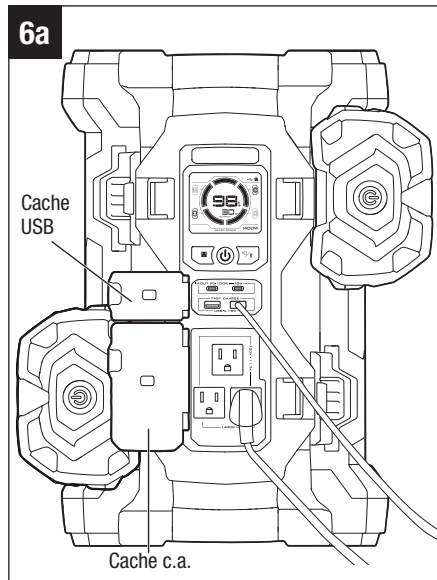
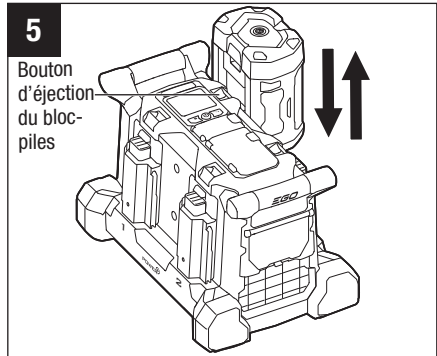
NE retirez JAMAIS le bloc-piles si l'outil est en position surélevée.

Soulevez le bouton d'éjection des piles, et le bloc-piles se détachera du loquet de verrouillage. Saisissez le bloc-piles et retirez-le de la station d'alimentation électrique.

1. Montez la (les) pile(s) en toute sécurité dans n'importe quel compartiment des piles de la station d'alimentation électrique (Fig. 5).

2. Ouvrez le cache du port USB et/ou le cache du port c.a. ; connectez les dispositifs USB et/ou c.a. à n'importe quel port de la station d'alimentation électrique (Fig. 6a).

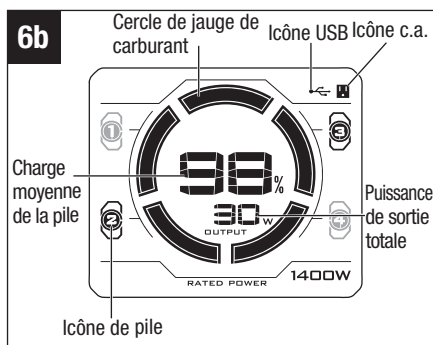
3. Appuyez sur le bouton de mise sous tension/hors tension et maintenez-le enfoncé jusqu'à ce qu'il s'allume pour allumer la station d'alimentation électrique. La station d'alimentation électrique se met en mode d'autocontrôle, et tous les indicateurs de l'écran ACL s'affichent pendant quelques secondes. L'écran ACL reviendra ensuite à l'interface normale, et seuls les indicateurs pertinents sont affichés.



4. Si vous avez connecté un périphérique USB à l'étape 2, il commencera à se charger maintenant, car les ports USB sont toujours actifs. C'est pourquoi l'icône USB s'affiche toujours sur l'écran ACL après la mise sous tension de la station d'alimentation électrique (Fig. 6b).

5. L'écran ACL affiche l'indicateur de puissance de sortie totale, l'indicateur de charge moyenne de la pile et les icônes de piles correspondantes (Fig. 6b).

6. Si vous avez connecté un appareil c.a. lors de l'étape 2, appuyez sur le bouton de contrôle de la sortie c.a. pour activer les trois ports de sortie c.a. L'icône c.a. s'affiche sur l'écran ACL (Fig. 6b).



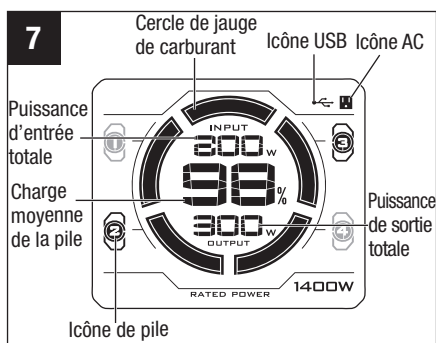
CHARGE DU BLOC-PILES AVEC ALIMENTATION D'UN APPAREIL

La station d'alimentation électrique peut charger le(s) bloc(s)-piles EGO et alimenter simultanément un ou plusieurs appareils c.a./USB.

1. Raccordez la station d'alimentation électrique au bloc d'alimentation, au(x) bloc(s)-piles EGO et au(x) dispositif(s) c.a./USB comme cela est décrit dans les sections intitulées « **CHARGE DES BLOCS-PILES EGO** » et « **ALIMENTATION DES DISPOSITIFS c.a./USB** » plus haut dans ce mode d'emploi.

2. L'écran ACL affiche l'indicateur de puissance totale d'entrée, l'indicateur de puissance totale de sortie, l'indicateur de charge moyenne de la pile et les icônes de piles correspondantes (Fig. 7).

AVIS Lorsque la station d'alimentation électrique charge le(s) bloc(s)-piles EGO et alimente en même temps des appareils c.a./USB, sa puissance totale est de 1 400 W. Si la somme de la puissance



d'entrée totale et de la puissance de sortie totale dépasse 1 400 W, la station d'alimentation électrique réduira la puissance d'entrée (ralentira la vitesse de charge) afin de garantir l'alimentation de l'appareil ou des appareils c.a./USB.

LAMPE DE TRAVAIL À DEL (Fig. 8)

La lampe de travail à DEL est située au-dessus de l'écran ACL. La lampe de travail fournit un éclairage supplémentaire pour assurer une meilleure visibilité et peut être réglée sur un de deux niveaux de luminosité.

Pour allumer la lampe de travail, appuyez sur le bouton de la lampe de travail/Bluetooth. L'icône de la lampe de travail s'affichera sur l'écran ACL (voir Fig. 2).

Appuyez une seconde fois sur le bouton de la lampe de travail/Bluetooth, et la lampe de travail brillera plus intensément.

Pour éteindre la lampe de travail, appuyez une troisième fois sur le bouton de la lampe de travail/Bluetooth. L'icône de la lampe de travail disparaîtra.



TECHNOLOGIE SANS FIL BLUETOOTH®

Les produits intégrant la technologie sans fil Bluetooth® peuvent se connecter à des appareils mobiles utilisant des applis EGO. Veuillez consulter le site www.egopowerplus.com pour obtenir des instructions et suivre les conseils de l'application EGO Connect sur la façon de connecter et d'utiliser la fonction Bluetooth®.

L'indicateur Bluetooth® s'allume lorsque la machine est connectée à votre appareil mobile.

ENTRETIEN

⚠ AVERTISSEMENT Lors de toute réparation, n'utilisez que des pièces de rechange identiques. L'utilisation de toutes autres pièces de rechange pourrait créer un danger ou endommager le produit. Pour assurer la sécurité et la fiabilité, toutes les réparations doivent être effectuées par un technicien de service qualifié.

⚠ AVERTISSEMENT Pour éviter des blessures graves, éteignez toujours la station d'alimentation électrique et retirez tous les blocs-piles du produit lorsque vous le nettoyez ou quand vous effectuez des travaux de maintenance.

ENTRETIEN GÉNÉRAL

Évitez d'utiliser des solvants lorsque vous nettoyez des pièces en plastique. La plupart des plastiques sont susceptibles d'être endommagés par divers types de solvants commerciaux, et ils pourraient l'être si vous en utilisez. Utilisez un chiffon propre pour retirer les saletés, la poussière, l'huile, la graisse, etc.

⚠ AVERTISSEMENT Ne laissez jamais les liquides pour les freins, l'essence, les produits à base de pétrole, les huiles pénétrantes, etc. entrer en contact avec les pièces en plastique. Les produits chimiques peuvent endommager, affaiblir ou détruire le plastique, ce qui pourrait causer des blessures graves.

TRANSPORT ET RANGEMENT

⚠ MISE EN GARDE Respectez les procédures de levage pendant le transport.

- Déconnectez tous les appareils et retirez les blocs-piles avant de déplacer, de transporter ou de stocker la station d'alimentation électrique.
- Éteignez la station d'alimentation électrique.
- Soulevez la station d'alimentation électrique en saisissant les poignées à deux mains : une sur chaque poignée.
- Nettoyez soigneusement la station d'alimentation électrique avant de la ranger.
- Rangez la station d'alimentation électrique à l'intérieur, dans un endroit sec qui est hors de portée des enfants.
- Tenez-la à distance des agents corrosifs tels que des produits chimiques de jardinage et des sels pour faire fondre la glace.

RECHERCHE DE LA CAUSE DES PROBLÈMES

PROBLÈME	CAUSE	SOLUTION
La station d'alimentation électrique ne fonctionne pas..	<ul style="list-style-type: none"> ■ Mauvaise connexion entre la station d'alimentation électrique et la source d'énergie. ■ Aucun bloc-piles n'est attaché. ■ Il n'y a pas de contact électrique entre la station d'alimentation électrique et le bloc-piles. ■ La station d'alimentation électrique n'est pas allumée. ■ La charge du bloc-piles est épuisée (l'icône de la pile correspondante clignote). ■ Le système s'éteint automatiquement au bout de deux heures si la sortie USB est inférieure à 2 W et si la sortie c.a. est inférieure à 5W. 	<ul style="list-style-type: none"> ■ Reconnectez la station d'alimentation électrique à la source d'alimentation. ■ Attachez au moins un bloc-piles à la station d'alimentation électrique. ■ Retirez le bloc-piles, inspectez les contacts et rattachés le bloc-piles. ■ Appuyez sur le bouton de mise sous tension/hors tension et maintenez-le enfoncé pour allumer la station d'alimentation électrique. ■ Chargez le bloc-piles. ■ Remettez la station d'alimentation électrique sous tension en appuyant sur le bouton de mise sous tension/hors tension et en le maintenant enfoncé.
L'indicateur de température élevée s'affiche sur l'écran ACL et s'éteint au bout d'une minute. La station d'alimentation électrique cesse de fonctionner.	<ul style="list-style-type: none"> ■ La station d'alimentation électrique est trop chaude. 	<ul style="list-style-type: none"> ■ Éteignez et refroidissez complètement la station d'alimentation électrique jusqu'à ce que la station d'alimentation électrique puisse fonctionner à nouveau.

PROBLÈME	CAUSE	SOLUTION
L'icône de la pile correspondante clignote, et l'indicateur de température élevée s'affiche sur l'écran ACL puis s'éteint au bout d'une minute. La station d'alimentation électrique cesse de fonctionner.	<ul style="list-style-type: none"> ■ La station d'alimentation électrique ou le bloc-piles est trop chaud. 	<ul style="list-style-type: none"> ■ Éteignez et refroidissez complètement la station d'alimentation électrique et le bloc-piles jusqu'à ce que la station d'alimentation électrique puisse fonctionner.
L'indicateur de surcharge s'affiche sur l'écran ACL et l'icône de c.a. disparaît. La station d'alimentation électrique cesse de fonctionner.	<ul style="list-style-type: none"> ■ La puissance de sortie réelle est supérieure à la puissance nominale. 	<ul style="list-style-type: none"> ■ Réduisez le nombre d'appareils connectés ou utilisez des appareils à faible charge. Assurez-vous que la puissance de sortie totale est inférieure à la puissance nominale indiquée sur l'écran ACL. Réactivez les ports c.a.
L'indicateur de défaut de fonctionnement s'affiche sur l'écran ACL. La station d'alimentation électrique cesse de fonctionner.	<ul style="list-style-type: none"> ■ Un ou plusieurs défauts de fonctionnement autres que ceux qui sont énumérés ci-dessus se sont produits. 	<ul style="list-style-type: none"> ■ Contactez le service à la clientèle d'EGO pour obtenir de l'aide.
L'icône de la pile correspondante clignote sur l'écran ACL.	<ul style="list-style-type: none"> ■ Défaut de communication. 	<ul style="list-style-type: none"> ■ Contactez le service à la clientèle d'EGO pour obtenir de l'aide.

GARANTIE LIMITÉE D'EGO

CONDITIONS ET DURÉE DE LA POLITIQUE DE GARANTIE

Chervon North America, Inc. (« Chervon North America, Naperville, IL 60563 ») accorde la Garantie limitée suivante pour les produits EGO à l'acheteur initial de produits EGO.

La période de garantie détaillée de chaque produit EGO est indiquée en ligne à l'adresse <http://egopowerplus.com/warranty-policy>.

Veillez contacter le Service à la clientèle d'EGO en téléphonant au 1-855-EGO-5656 (appel gratuit) à tout moment en cas de questions, si vous voulez vous prévaloir de la garantie.

GARANTIE LIMITÉE DE SERVICE APRÈS-VENTE

Les produits EGO sont garantis contre tout défaut de matériel ou de fabrication à partir de la date d'achat au détail originale et pendant la période de garantie applicable.

Pour toute demande de garantie soumise correctement et dans les délais, si Chervon North America détermine qu'un produit est défectueux pendant la période de garantie, le produit sera réparé ou remplacé gratuitement, selon ce qui aura été déterminé par Chervon North America.

COMMENT OBTENIR DE L'ASSISTANCE DANS LE CADRE DU SERVICE APRÈS-VENTE

Pour obtenir de l'assistance dans le cadre de la garantie (pendant la période de garantie applicable), veuillez contacter le service à la clientèle d'EGO en téléphonant au **1-855-EGO-5656** (appel gratuit). Lorsque vous demandez de l'assistance dans le cadre de la garantie, vous devez présenter le reçu de vente original daté. Un centre de service après-vente agréé sera sélectionné pour évaluer et réparer le produit défectueux conformément aux conditions de garantie énoncées. Lorsque vous apportez votre produit au centre de service après-vente agréé, il se peut qu'une petite caution vous soit demandée lors du dépôt de votre outil. Cette caution est remboursable lorsque le service de réparation est considéré comme étant couvert par la garantie. Il incombe à l'acheteur d'effectuer le transport de tous les équipements électriques d'extérieur ou attachements à ses frais.

LIMITATIONS ET EXCLUSIONS SUPPLÉMENTAIRES

Cette garantie limitée ne s'applique qu'à l'acheteur initial d'un produit à un revendeur agréé EGO, et elle ne peut pas être cédée. Les produits EGO ne sont pas considérés comme défectueux et la présente garantie ne s'applique pas lorsque le défaut invoqué est imputable à une cause autre que les défauts définis ci-dessus. Cette garantie est nulle et non avenue si le produit a été utilisé à des fins de location. La présente garantie ne s'applique pas aux dommages causés par un accident, un abus, une mauvaise utilisation, une altération, une modification, une réparation non autorisée, un contact avec un liquide, un incendie, un tremblement de terre ou toute autre cause externe ; par une utilisation du produit en dehors des instructions, spécifications ou directives d'EGO ; ou par un manquement à l'entretien ou à la maintenance convenable du produit. Cette garantie ne s'applique pas non plus aux dommages esthétiques, y compris, mais sans s'y limiter, les rayures ou les bosses, ainsi qu'aux défauts causés par l'usure normale ou autrement dus au vieillissement normal du produit.

CETTE GARANTIE EXPRESSE EST DONNÉE EN LIEU ET PLACE DE TOUTE AUTRE GARANTIE, EXPRESSE OU IMPLICITE, Y COMPRIS, MAIS SANS S'Y LIMITER, TOUTE GARANTIE DE QUALITÉ MARCHANDE OU D'ADÉQUATION À UN USAGE PARTICULIER, QUI EST REJETÉE. Toute garantie implicite, y compris la garantie de qualité marchande ou d'adéquation à un usage particulier qui ne peut être rejetée en vertu de la loi de l'État ou de la province est limitée à la période de garantie applicable définie au début de cet article. Le seul et unique recours en rapport avec l'achat, l'installation, l'utilisation et/ou la performance des produits EGO est la réparation ou le remplacement du produit selon la décision de Chervon North America. La responsabilité maximale de Chervon North America ne dépassera en aucun cas le prix d'achat payé pour le produit. CHERVON NORTH AMERICA NE SERA PAS RESPONSABLE ENVERS L'UTILISATEUR OU TOUTE AUTRE PERSONNE DES DOMMAGES CONSÉCUTIFS, ACCIDENTELS, SPÉCIAUX, EXEMPLAIRES, INDIRECTS OU PUNITIFS RÉSULTANT DE L'UTILISATION DES PRODUITS, Y COMPRIS, MAIS SANS S'Y LIMITER, LES PRÉJUDICES CORPORELS, LA MORT, LES DOMMAGES MATÉRIELS, LA PERTE DE BÉNÉFICES OU TOUT AUTRE DOMMAGE ÉCONOMIQUE. Cette garantie vous confère des garanties juridiques particulières, et vous pouvez aussi avoir d'autres droits, qui varient selon l'État ou la province. Étant donné que certains États et certaines provinces ne permettent pas de limitations quant à la durée d'une garantie implicite ou ne permettent pas l'exclusion ou la limitation des dommages indirects ou secondaires, ou le délai de prescription pour intenter certaines actions, il est possible que les limitations contenues aux présentes ne s'appliquent pas à consommateurs dans ces États ou provinces.

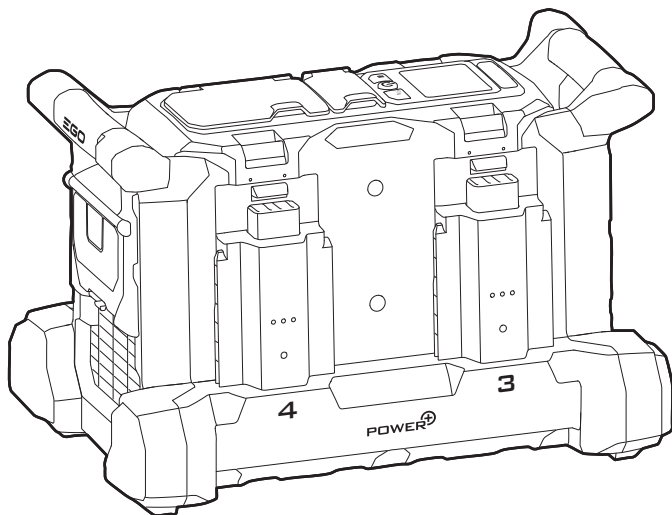


Cette garantie est soumise au droit du Michigan et doit être interprétée conformément au droit du Michigan sans tenir compte des principes de conflits de lois. Aucune action en justice ne pourra être intentée contre Chervon North America si elle n'est pas déposée dans un délai d'un (1) an après que le fondement de cette action en justice aura été connu, ou qu'il aurait dû l'être si une diligence raisonnable avait été exercée. Toute action non intentée dans les délais est réputée abandonnée.

Pour le service à la clientèle, contactez-nous en téléphonant au numéro suivant (appel gratuit) : **1-855-EGO-5656** ou **EGOPOWERPLUS.COM**.
EGO Customer Service,
769 Seward Ave. NW, Suite 102,
Grand Rapids, Michigan 49504.

EGO™

POWER⁺ POWER STATION™



MANUAL DEL OPERADOR
**ESTACIÓN DE ENERGÍA
DE ION LITIO DE 56 V**
NÚMERO DE MODELO PST1400/PST1400-FC

⚠ ADVERTENCIA: Para reducir el riesgo de lesiones, el usuario debe leer y comprender el Manual del usuario antes de usar el producto. Guarde estas instrucciones para consultarlas en el futuro.

¡LEA TODAS LAS INSTRUCCIONES!



LEA Y ENTIENDA
EL MANUAL DEL OPERADOR

ÍNDICE

Símbolos de seguridad	65
Instrucciones de seguridad importantes	66-70
Declaración de la FCC	71
Símbolos	72
Introducción	73
Especificaciones	73-74
Lista de empaquetamiento	74
Descripción	75-80
Ensamblaje	81
Utilización	82-87
Mantenimiento	88
Resolución de problemas	89-90
Garantía Limitada de EGO	91-92

SÍMBOLOS DE SEGURIDAD

El propósito de los símbolos de seguridad es atraer la atención del usuario hacia posibles peligros. Los símbolos de seguridad y las explicaciones que los acompañan merecen que usted preste una atención detenida y logre una comprensión profunda. Las advertencias con símbolo no eliminan por sí mismas ningún peligro. Las instrucciones y las advertencias que dichas instrucciones dan no son sustitutos de las medidas adecuadas de prevención de accidentes.

⚠ ADVERTENCIA Asegúrese de leer y entender todas las instrucciones de seguridad incluidas en este manual del operador, incluyendo todos los símbolos de alerta de seguridad, tales como “PELIGRO”, “ADVERTENCIA” y “PRECAUCIÓN”, antes de utilizar esta máquina. Si no se siguen todas las instrucciones que se indican a continuación, es posible que el resultado sea descargas eléctricas, incendio y/o lesiones corporales graves.

Las definiciones que aparecen a continuación describen el nivel de gravedad de cada palabra de aviso. Por favor, lea el manual y preste atención a estos símbolos.

	<p>Este es el símbolo de alerta de seguridad. Se utiliza para alertarle a usted de peligros potenciales de lesiones corporales. Obedezca todos los mensajes de seguridad que sigan a este símbolo para evitar posibles lesiones o la muerte.</p>
	<p>PELIGRO indica una situación peligrosa que, si no se evita, causará la muerte o lesiones graves.</p>
	<p>ADVERTENCIA indica una situación peligrosa que, si no se evita, podría causar la muerte o lesiones graves.</p>
	<p>PRECAUCIÓN, utilizada con el símbolo de alerta de seguridad, indica una situación peligrosa que, si no se evita, causará lesiones leves o moderadas.</p>

MENSAJES DE PREVENCIÓN DE DAÑOS E INFORMACIÓN

Estos mensajes ofrecen al usuario información y/o instrucciones importantes que, si no se siguen, podrían causar daños al equipo u otros daños materiales. Cada mensaje va precedido por la palabra “AVISO”, como en el ejemplo que aparece a continuación:

AVISO Si no se siguen estas instrucciones, es posible que se produzcan daños al equipo y/o daños materiales.

INSTRUCCIONES DE SEGURIDAD IMPORTANTES

⚠ ADVERTENCIA Cuando se utilice este producto, se deberán seguir siempre precauciones básicas, incluyendo las siguientes:

- Lea todas las instrucciones antes de utilizar el producto.
- Para reducir el riesgo de lesiones, se necesita supervisión estrecha cuando el producto se utilice cerca de niños.
- No ponga los dedos ni las manos dentro del producto.
- Es posible que el uso de un aditamento no recomendado ni vendido por el fabricante de la estación de energía tenga como resultado un riesgo de incendio, descargas eléctricas o lesiones a las personas.
- Para reducir el riesgo de daños al enchufe eléctrico y al cable, jale el enchufe en lugar del cable cuando desconecte la estación de energía.
- No utilice un paquete de batería o un aparato eléctrico que estén dañados o modificados. Es posible que las baterías dañadas o modificadas exhiban un comportamiento imprevisible que cause un incendio, una explosión o riesgo de lesiones.
- No utilice la estación de energía con un cable o enchufe dañado, ni con un cable de salida dañado.
- No desensamble la estación de energía. Llévela a un técnico de servicio calificado cuando se requiera servicio de ajustes o reparaciones. Es posible que un reensamblaje incorrecto cause un riesgo de incendio o descargas eléctricas.
- Para reducir el riesgo de descargas eléctricas, desenchufe la estación de energía del tomacorriente antes de intentar cualquier servicio de ajustes y reparaciones indicado en las instrucciones.

⚠ ADVERTENCIA RIESGO DE GASES EXPLOSIVOS

- Para reducir el riesgo de explosión de la batería, siga estas instrucciones y las publicadas por el fabricante de la batería y el fabricante de cualquier equipo que piense usar en las proximidades de la batería. Repase las marcas de precaución que se encuentran en estos productos.

PRECAUCIONES PERSONALES

- No fume ni permita NUNCA una chispa o una llama en las proximidades de la batería.

- Tenga precaución adicional para reducir el riesgo de dejar caer una herramienta metálica sobre la batería. Esto podría generar chispas o cortocircuitos en la batería u otra pieza eléctrica que pueden causar una explosión.
- Cuando cargue la batería interna, trabaje en un área bien ventilada y no restrinja la ventilación de ninguna manera.
- En condiciones abusivas, es posible que se expulse líquido de la batería; evite el contacto. Si se produce contacto accidentalmente, enjuáguese con agua. Si entra líquido en contacto con los ojos, busque adicionalmente ayuda médica. Es posible que el líquido expulsado de la batería cause irritación o quemaduras.
- Tenga cerca abundante agua fresca y jabón en caso de que el ácido de la batería entre en contacto con la piel, la ropa o los ojos.
- Use protección ocular completa y protección de la ropa. Evite tocarse los ojos mientras esté trabajando cerca de la batería.
- Si el ácido de la batería entra en contacto con la piel o la ropa, lávelas inmediatamente con agua y jabón. Si entra ácido en un ojo, enjuague inmediatamente el ojo con agua corriente fría durante al menos 10 minutos y obtenga atención médica inmediatamente.
- No exponga una estación de energía a un fuego o a una temperatura excesiva. Es posible que la exposición a un fuego o a una temperatura superior a 265 °F (130 °C) cause una explosión.
- Haga que el servicio de ajustes y reparaciones sea realizado por un técnico de reparaciones calificado que utilice solo piezas de repuesto idénticas. Esto garantizará que se mantenga la seguridad del producto.

⚠ ADVERTENCIA Lea todas las advertencias de seguridad y todas las instrucciones. Si no se siguen las advertencias e instrucciones, es posible que el resultado sea descargas eléctricas, incendio y/o lesiones graves.

Guarde todas las advertencias e instrucciones para referencia futura

- **Riesgo de incendio y descargas eléctricas. Uso solo en lugares secos. No exponga la estación de energía a la lluvia ni a condiciones mojadas.** La entrada de agua en la estación de energía aumentará el riesgo de descargas eléctricas.
- **Riesgo de descargas eléctricas. No utilice nunca la estación de energía para alimentar herramientas eléctricas para cortar o acceder a piezas con tensión o cables con tensión, o materiales que puedan contener piezas con tensión o cables con tensión en su interior, tales como paredes de edificios, etc.**

- **Solo para uso doméstico.**
- **No deje que la estación de energía se utilice como un juguete.** Se necesita una supervisión estrecha cuando sea utilizada por niños o cerca de los mismos.
- **La estación de energía no está diseñada para cualquier uso que no sea cargar aparatos electrónicos USB pequeños o dispositivos de CA pequeños especificados en la sección “ESPECIFICACIONES” de este manual.** Es posible que cualquier otro uso cause daños.
- **No ponga los dedos ni las manos dentro de la estación de energía.**
- **Apague la estación de energía cuando no se esté utilizando.**
- **Prevenga los arranques accidentales. Asegúrese de que la estación de energía esté apagada antes de conectarla al paquete de batería, levantarla o transportarla.** Si se transporta la estación de energía con el dedo en el botón de alimentación o si se suministra corriente a una estación de energía que haya sido encendida se invita a que se produzcan accidentes.
- **Desconecte el paquete de batería de la estación de energía antes de hacer cualquier ajuste, cambiar accesorios o almacenar la estación de energía.** Dichas medidas preventivas de seguridad reducen el riesgo de arrancar accidentalmente la estación de energía.
- **Realice las recargas solo con el cargador especificado por el fabricante.** Es posible que un cargador que sea adecuado para un tipo de paquete de batería cree un riesgo de incendio cuando se utilice con otro paquete de batería.
- **Utilice la estación de energía solo con los paquetes de batería designados específicamente.** Es posible que el uso de cualquier otro paquete de batería cree un riesgo de lesiones e incendio.
- **Utilice la estación de energía solo con los paquetes de batería que se indican a continuación.**

PAQUETE DE BATERÍA

BA1400T, BA1400T-FC, BA2242T, BA2242T-FC, BA2800T, BA2800T-FC, BA3360T, BA3360T-FC, BA4200T, BA4200T-FC, BA4480T, BA4480T-FC, BA5600T, BA5600T-FC, BA6720T, BA6720T-FC

- **Cuando el paquete de batería no se esté utilizando, manténgalo alejado de otros objetos metálicos, tales como clips sujetapapeles, monedas, llaves, clavos, tornillos u otros objetos metálicos pequeños que puedan hacer una conexión de un terminal con otro.** Si se cortocircuitan juntos los terminales de la batería, es posible que se causen quemaduras o un incendio.

- **No utilice un paquete de batería o una estación de energía que estén dañados o modificados.** Es posible que las baterías dañadas o modificadas exhiban un comportamiento imprevisible que cause un incendio, una explosión o riesgo de lesiones.
- **Siga todas las instrucciones de carga y no cargue el paquete de batería ni el aparato eléctrico fuera del intervalo de temperatura especificado en las instrucciones.** Es posible que la realización de la carga de manera inadecuada o a temperaturas que estén fuera del intervalo especificado dañe la batería y aumente el riesgo de incendio.
- **No modifique ni intente reparar la estación de energía ni el paquete de batería, excepto tal como se indique en las instrucciones de uso y cuidado.**
- **Almacene las herramientas eléctricas inactivas fuera del alcance de los niños y no deje que las personas que no estén familiarizadas con la estación de energía o con estas instrucciones utilicen la estación de energía.** Las estaciones de energía son peligrosas en las manos de usuarios que no hayan recibido capacitación.
- **Realice mantenimiento de la estación de energía y los accesorios. Compruebe si hay desalineación o rotura de piezas y cualquier otra situación que pueda afectar al funcionamiento de la estación de energía.** Si está dañada, haga que la estación de energía sea reparada antes de utilizarla. Muchos accidentes son causados por una estación de energía mantenida deficientemente.

BATERÍA TIPO MONEDA

- El producto contiene baterías no reemplazables.
- Retire y recicle o deseche inmediatamente las baterías usadas, de acuerdo con los reglamentos locales, y manténgalas fuera del alcance de los niños. NO deseche las baterías en la basura doméstica ni las incinere.
- Es posible que incluso las baterías usadas causen lesiones graves o la muerte.
- Llame a un centro local de control de envenenamientos para obtener información de tratamiento.
- El tipo de batería de moneda: ICB1250 E6
- Tensión nominal de la batería tipo moneda: 3,85 V
- Las baterías no recargables no se deben recargar.
- No descargue ni recargue forzosamente, desarme, caliente por encima de 140 °F (60 °C) ni incinere las baterías. Si hace alguna de estas cosas, es posible que el resultado sea lesiones debido a venteo, fuga o explosión que causen quemaduras químicas.

⚠ ADVERTENCIA

- **PELIGRO DE INGESTIÓN:** Este producto contiene una batería tipo botón o tipo moneda.
- Si se ingiere, el resultado puede ser la **MUERTE** o lesiones graves.
- Si se traga, una batería tipo botón o tipo moneda puede causar **quemaduras químicas internas** en tan poco tiempo como **2 horas**.
- **MANTENGA** las baterías nuevas y usadas **FUERA DEL ALCANCE DE LOS NIÑOS**.
- **Obtenga atención médica inmediata** si se sospecha que una batería se ha tragado o se ha insertado dentro de cualquier parte del cuerpo.



DECLARACIÓN DE LA FCC

1. Este dispositivo cumple con la Parte 15 de las Reglas de la FCC. Su utilización está sujeta a las dos condiciones siguientes:
 - 1) Este dispositivo no podrá causar interferencia perjudicial.
 - 2) Este dispositivo debe aceptar cualquier interferencia que reciba, incluyendo interferencia que pueda causar un funcionamiento no deseado.
2. Los cambios o las modificaciones no aprobados expresamente por la parte responsable del cumplimiento de la normativa podrían anular la autoridad del usuario para utilizar el equipo.

AVISO Este equipo ha sido sometido a pruebas y se ha demostrado que cumple con los límites para un dispositivo digital de Clase B, conforme a la Parte 15 de las Reglas de la FCC. Estos límites están diseñados para proporcionar una protección razonable contra la interferencia perjudicial en una instalación residencial. Este equipo genera, utiliza y puede irradiar energía de radiofrecuencia y, si no se instala y se utiliza de acuerdo con las instrucciones, es posible que cause interferencia perjudicial para las radiocomunicaciones. Sin embargo, no hay garantía de que no se vaya a producir interferencia en una instalación en particular. Si este equipo efectivamente causa interferencia perjudicial para la recepción de radio o televisión, lo cual se puede determinar apagando y encendiendo el equipo, se insta al usuario a que intente corregir la interferencia mediante una o más de las siguientes medidas: Reoriente o reubique la antena receptora. Aumente la separación entre el equipo y el receptor. Conecte el equipo a un tomacorriente de un circuito diferente al circuito al cual el receptor esté conectado. Para obtener ayuda, consulte al distribuidor o a un técnico de radio y televisión experimentado.

¡GUARDE ESTAS INSTRUCCIONES! Consúltelas frecuentemente y úselas para instruir a otras personas que puedan utilizar este producto. Si le presta este producto a otra persona, préstele también estas instrucciones para evitar un uso incorrecto del producto y posibles lesiones.

¡GUARDE ESTAS INSTRUCCIONES!

SÍMBOLOS

Esta página muestra y describe los símbolos de seguridad que es posible que aparezcan en este producto. Lea, entienda y siga todas las instrucciones que se encuentran en el producto antes de intentar ensamblarlo y utilizarlo.

	Alerta de seguridad	Precauciones que involucran la seguridad del operador
	Lea y entienda el manual del operador	Para reducir el riesgo de lesiones, el usuario debe leer y entender el manual del operador antes de utilizar este producto.
	Bluetooth®	Símbolo de Bluetooth®
	Peligro de ingestión	Este producto contiene una batería tipo botón o tipo moneda.
	Corriente alterna (CA)	Tipo o característica de corriente
	Corriente continua (CC)	Tipo o característica de corriente
V	Voltio	Tensión
A	Amperios	Corriente
Hz	Hercio	Frecuencia (ciclos por segundo)
W	Vatio	Potencia
Ah	Amperios-hora	Capacidad de la batería
Min	Minutos	Tiempo
kg	Kilogramos	Peso
lb	Libras	Peso
°C	Grados Celsius	Temperatura
°F	Grados Fahrenheit	Temperatura

INTRODUCCIÓN

Felicitaciones por su selección de la estación de energía de ion litio de 56 V EGO. Este producto ha sido diseñado, concebido y fabricado para ofrecerle a usted la mejor confiabilidad y el mejor rendimiento posibles.

En el caso de que tenga cualquier problema que no pueda remediar fácilmente, sírvase contactar a **servicio al cliente de EGO llamando al 1-855-EGO-5656**.

Este manual contiene información importante sobre el ensamblaje, la utilización y el mantenimiento seguros de su producto. Léalo detenidamente antes de utilizar el producto. Tenga este manual al alcance de la mano para poder consultarlo en cualquier momento.

NÚMERO DE SERIE _____ FECHA DE COMPRA _____
 USTED DEBERÁ ANOTAR TANTO EL NUMERO DE SERIE COMO LA FECHA DE COMPRA Y CONSERVARLOS EN UN LUGAR SEGURO PARA REFERENCIA FUTURA

ESPECIFICACIONES

Descarga	Tensión de entrada	56 V
	Salida USB-A x 2	5 V , 9 V , 12 V , 3 A máx., hasta 18 W
	Salida USB-C	5 V , 9 V , 12 V , 3 A máx., hasta 18 W
	Entrada/Salida USB-C	5 V , 9 V , 12 V , 3 A máx., 20 V , 5 A máx., hasta 100 W
	Salida de CA x 3	120 V ~ 60 Hz 1400 W, 2100 W pico (3 puertos de CA combinados)

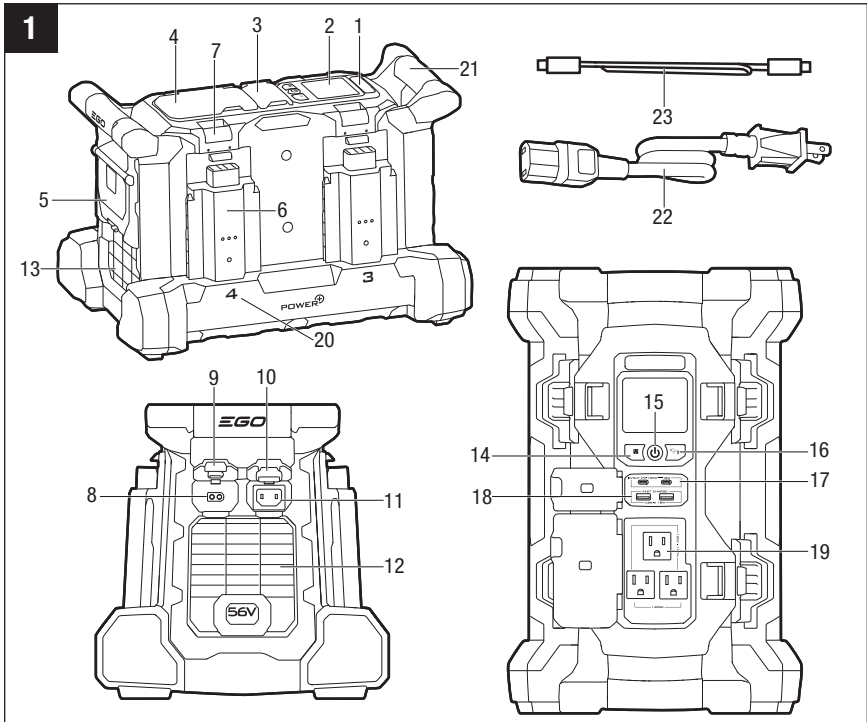
Carga	Entrada de CA	120 V ~ 60 Hz , hasta 1400 W
	Entrada de carga de CA	120 V ~ 60 Hz , hasta 900 W
	Entrada solar	12 V (panel solar EGO SP1000/SP1000-FC), 24 V (panel solar EGO SP2000/SP2000-FC), hasta 200 W
	Entrada/Salida USB-C	5 V , 9 V , 12 V , 3 A máx., 20 V , 5 A máx., hasta 100 W
Forma de la onda de salida	Onda sinusoidal pura	
Temperatura de carga recomendada	41 – 104 °F (5 – 40 °C)	
Temperatura de descarga recomendada	5 – 104 °F (-15 – 40 °C)	
Temperatura de almacenamiento recomendada	-4 – 158 °F (-20 – 70 °C)	
Peso (sin paquete de batería)	17,6 lb (8 kg)	

LISTA DE EMPAQUETAMIENTO

NOMBRE DE LA PIEZA	CANTIDAD
Estación de energía	1
Cable de alimentación de CA	1
Cable de carga USB-C (almacenado en el compartimiento de almacenamiento)	1
Manual del operador	1

DESCRIPCIÓN

CONOZCA SU ESTACIÓN DE ENERGÍA (Fig. 1)



- | | |
|--------------------------------------|---|
| 1. Luz de trabajo LED | 8. Puerto de entrada solar |
| 2. Pantalla LCD | 9. Cubierta de la entrada solar |
| 3. Cubierta del puerto USB | 10. Cubierta de la entrada de CA |
| 4. Cubierta del puerto de CA | 11. Puerto de entrada de CA |
| 5. Compartimento de almacenamiento | 12. Salidas de aire |
| 6. Bahía de batería (x 4) | 13. Entradas de aire |
| 7. Botón de liberación de la batería | 14. Botón de control de la salida de CA |

- | | |
|--|-----------------------------|
| 15. Botón de alimentación | 20. Número de batería (x 4) |
| 16. Botón de la luz de trabajo/Bluetooth | 21. Empuñadura (x 2) |
| 17. Puerto USB-C (izquierda: entrada salida y derecha: salida) | 22. Cable de alimentación |
| 18. Puerto USB-A (x 2) | 23. Cable de carga USB-C |
| 19. Puerto de CA (x 3) | |

Empuñadura

Para ayudar a levantar y transportar la estación de energía.

Pantalla LCD

Para mostrar el estado de la estación de energía.

Luz de trabajo LED

Proporciona iluminación para ofrecer mayor visibilidad.

Botón de liberación de la batería

Presiónelo para liberar el paquete de batería de la máquina.

Bahía de batería.

Para conectar el paquete (los paquetes) de batería a la máquina.

Número de batería

Indica el número que corresponde a cada ícono de batería en la pantalla LCD.

Cable de alimentación

El cable de alimentación de 14 AWG se utiliza para conectar la estación de energía a la fuente de alimentación de CA.

Botón de alimentación

Para encender/apagar la estación de energía

Puertos de CA y USB

Para conectar con dispositivos de CA y USB. Hay 4 puertos de CA (1 x entrada, 3 x salida) y 4 puertos USB (1 x salida/entrada USB-C, 1 x salida USB-C, 2 x salida USB-A).

Puerto de entrada solar

Para conectar con el panel solar EGO SP1000/SP1000-FC/SP2000/SP2000-FC.

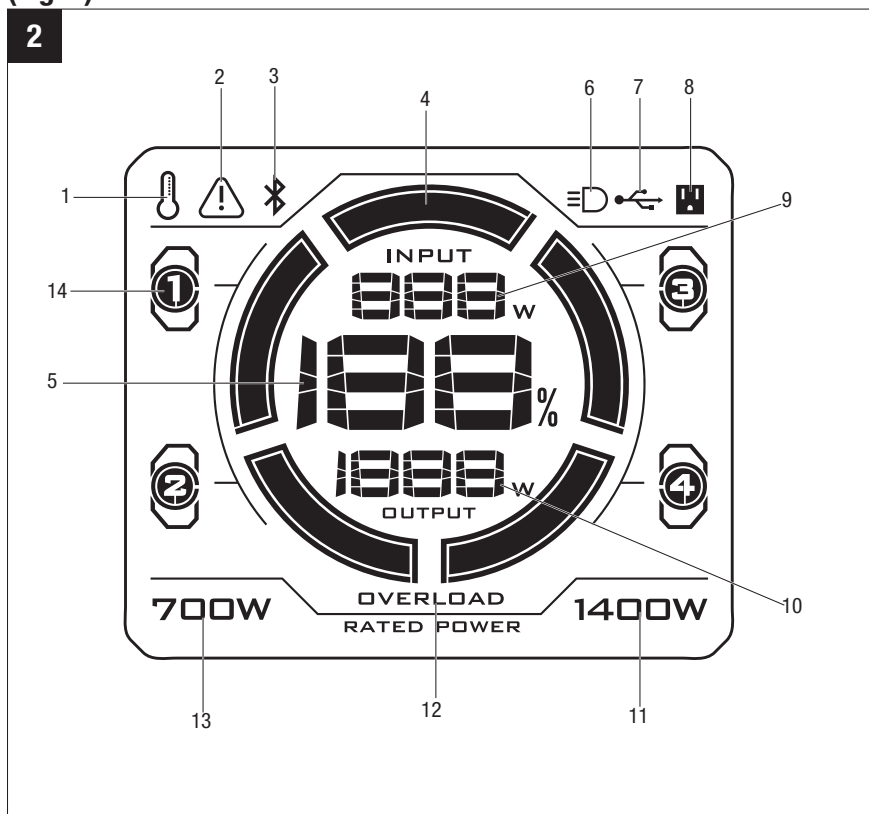
Botón de control de la salida de CA

Para encender/apagar la salida del puerto de CA.

Botón de la luz de trabajo/Bluetooth

Cambia la luminosidad de la luz delantera y es compatible con la conexión de Bluetooth.

CONOZCA LOS ÍCONOS Y LOS INDICADORES DE LA PANTALLA LCD (Fig. 2)



- | | |
|---|-------------------------------|
| 1. Indicador de alta temperatura | 8. Ícono de CA |
| 2. Indicador de falla | 9. Potencia de entrada total |
| 3. Indicador de Bluetooth® | 10. Potencia de salida total |
| 4. Circulo del indicador de combustible | 11. Potencia nominal (1400 W) |
| 5. Carga promedio de las baterías | 12. Indicador de sobrecarga |
| 6. Ícono de la luz de trabajo | 13. Potencia nominal (700 W) |
| 7. Ícono de USB | 14. Ícono de batería (x 4) |

Indicador de alta temperatura

Indica que se ha detectado ya sea una batería o una estación de energía con sobrettemperatura.

Indicador de falla

Indica una falla que requiere servicio de ajustes y reparaciones inmediato.

Indicador de Bluetooth

Indica el estado de la conexión Bluetooth®.

NOTA: La marca denominativa y los logotipos Bluetooth® son marcas registradas pertenecientes a Bluetooth SIG, Inc., y cualquier uso de dichas marcas por EGO es bajo licencia.

Circulo del indicador de combustible

Muestra la capacidad de carga promedio de los paquetes de batería insertados.

Carga promedio de las baterías

Muestra el nivel de carga promedio de los paquetes de batería insertados.

Ícono de la luz de trabajo

Indica que la luz de trabajo LED está encendida.

Ícono de USB

Indica que los puertos USB están activados.

Ícono de CA

Indica que los puertos de CA están activados.

Potencia de entrada total

Muestra la potencia de entrada total de la estación de energía.

Potencia de salida total

Muestra la potencia de salida total de la estación de energía.

Potencia nominal (700 o 1400 W)

Muestra la potencia de salida nominal continua máxima del paquete o los paquetes de batería instalados. La potencia nominal puede ser de 700 W o de 1400 W, dependiendo de la capacidad y del número de paquetes de batería instalados en la estación de energía. Instale más paquetes de batería y/o paquetes de batería de mayor capacidad para acceder a la potencia nominal máxima de 1400 W.

Indicador de sobrecarga

Indica que la estación de energía está sobrecargada.

Ícono de batería (x 4)

Indica las bahías de batería que están en uso. Un ícono de batería con un círculo blanco indica que la bahía de batería correspondiente tiene un paquete de batería instalado.

Un ícono de batería con un círculo negro indica que la bahía de batería correspondiente no tiene un paquete de batería instalado.

ENSAMBLAJE

⚠ ADVERTENCIA Si cualquiera de las piezas está dañada o falta, no utilice este producto hasta que las piezas hayan sido reemplazadas. El uso de este producto con piezas dañadas o si le faltan piezas podría causar lesiones corporales graves.

⚠ ADVERTENCIA No intente modificar este producto ni crear accesorios no recomendados para utilizarse con este producto. Cualquiera de dichas alteraciones o modificaciones constituye un uso incorrecto y podría provocar una situación peligrosa que cause lesiones corporales graves.

⚠ ADVERTENCIA Para prevenir arranques accidentales que podrían causar lesiones corporales graves, retire siempre el paquete de batería del producto cuando ensamble piezas, haga ajustes o realice limpieza, o cuando el producto no se esté utilizando.

DESEMPAQUE

- Este producto se ha enviado completamente ensamblado.
- Saque cuidadosamente el producto y los accesorios de la caja. Asegúrese de que todos los artículos que aparecen en la lista de empaquetamiento estén incluidos.
- Inspeccione minuciosamente el producto para asegurarse de que no se hayan producido roturas ni daños durante su envío.
- No deseche el material de embalaje hasta que haya inspeccionado cuidadosamente y utilizado satisfactoriamente el producto.
- Si alguna pieza está dañada o falta, sírvase devolver el producto al lugar de compra.

UTILIZACIÓN

⚠ ADVERTENCIA No deje que la familiaridad con este producto le haga volverse descuidado. Recuerde que una fracción de segundo de descuido es suficiente para causar lesiones graves.

⚠ ADVERTENCIA No utilice aditamentos o accesorios no recomendados por el fabricante de este producto. El uso de aditamentos o accesorios no recomendados puede causar lesiones corporales graves.

⚠ ADVERTENCIA No modifique ni intente reparar la estación de energía, excepto tal como se indique en las instrucciones de uso y cuidado.

Antes de cada uso, inspeccione todo el producto para determinar si hay piezas dañadas, si faltan piezas o si hay piezas flojas, tales como tornillos, tuercas, pernos, tapas, etc. Apriete firmemente todos los sujetadores y todas las tapas, y no utilice este producto hasta que todas las piezas que faltan o estén dañadas hayan sido reemplazadas.

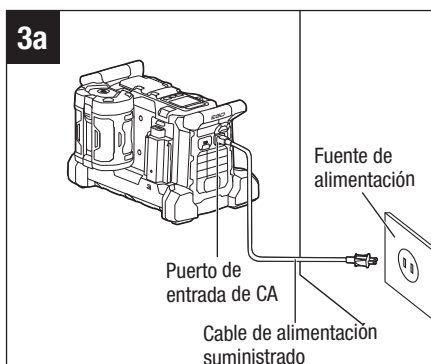
APLICACIONES

Usted puede utilizar este producto para emergencias de energía eléctrica, en acampada y en cualquier momento en que necesite energía eléctrica durante períodos de tiempo prolongados.

NOTA: La máquina se debe utilizar solo para su propósito previsto. Cualquier otro uso se considera un uso incorrecto.

PROCESO DE CARGA DE LOS PAQUETES DE BATERÍA EGO

1. Conecte la estación de energía a la fuente de alimentación y asegúrese de que las conexiones sean seguras y confiables:
 - Abra la cubierta de la entrada de CA ubicada a un lado de la estación de energía y luego conecte el puerto de entrada de CA a la fuente de alimentación (120 V ~, 60 Hz) utilizando el cable de alimentación de 14 AWG suministrado (Fig. 3a).

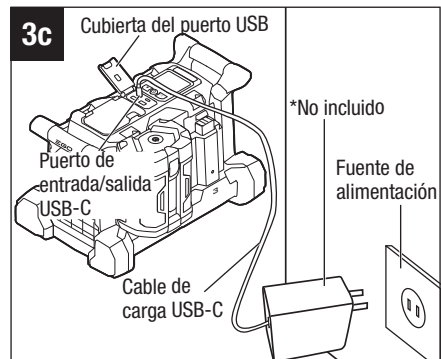
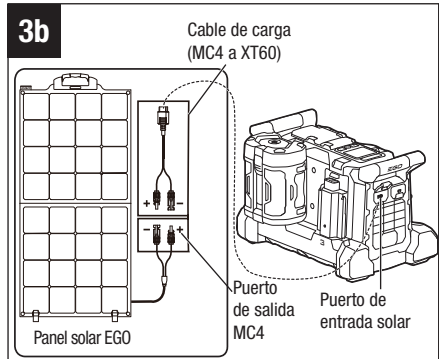


AVISO Utilice siempre un cable de alimentación de 14 AWG o un AWG más alto.

- Abra la cubierta de la entrada solar ubicada a un lado de la estación de energía y luego conecte el puerto de entrada solar al panel solar EGO SP1000/SP1000-FC/SP2000/SP2000-FC utilizando el cable de carga que viene con el panel solar (Fig. 3b).
- Abra la cubierta del puerto USB y luego conecte el puerto de entrada/salida USB-C (5/9/12/20 V, hasta 100 W), el puerto USB-C izquierdo ubicado debajo de la cubierta del puerto USB, a una fuente de alimentación (120 V ~, 60 Hz) utilizando el cable de carga USB-C suministrado y un cargador USB (no incluido).

NOTA: Usted no puede cargar el paquete (los paquetes) de batería utilizando más de una fuente de alimentación al mismo tiempo, incluso si todos están conectados a la estación de energía. Prioridad de utilización de la fuente de alimentación de la estación de energía: entrada de CA > entrada solar > entrada USB-C.

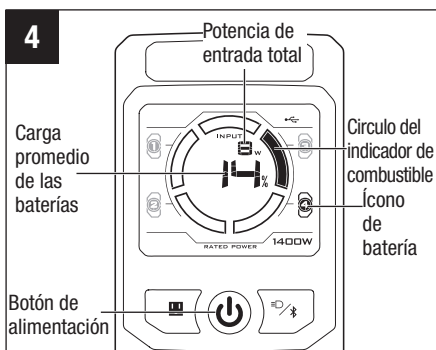
2. Alinee las costillas en relieve del paquete de batería con la ranura de montaje de una de las bahías de batería de la estación de energía; deslice el paquete de batería hacia abajo sobre la estación de energía hasta que la batería se acople a presión en la posición correcta. Asegúrese de que el paquete de batería esté firmemente sujeto a la estación de energía.
3. La estación de energía comenzará a autocomprobarse y todos los indicadores de la pantalla LCD se mostrarán durante unos cuantos segundos. Luego, la pantalla LCD se recuperará hasta la interfaz normal y solo se mostrarán los indicadores relevantes.
4. La estación de energía se comunica con el paquete de batería y comienza a cargar.



5. El indicador de potencia de entrada total, el indicador de carga promedio de las baterías y los íconos de batería correspondientes se mostrarán en la pantalla LCD (Fig. 4).

6. Cuando se haya completado la carga, el indicador de carga promedio de las baterías mostrará 100%. Presione y mantenga presionado el botón de alimentación hasta que la estación de energía se apague.

7. Si hay más de un paquete de batería instalado, la estación de energía cargará primero el paquete de batería que tenga la carga más baja. Cuando las cargas de los paquetes de batería instalados alcancen el mismo nivel, la estación de energía comenzará a cargar simultáneamente los paquetes de batería. Todos los paquetes de batería se cargarán completamente al mismo tiempo.



AVISO Los paquetes de batería EGO están equipados con una avanzada función de automantenimiento que realizará automáticamente una operación de autodescarga después de un mes de almacenamiento. Los paquetes de batería estarán en modo de suspensión y retendrán el 30% de su carga. Para obtener el mejor rendimiento en emergencias y la mejor preparación en caso de un apagón inesperado, recomendamos cargar los paquetes de batería aproximadamente una vez al mes para asegurarse de que siempre estén completamente cargados.

ALIMENTACIÓN DE DISPOSITIVOS DE CA/USB

AVISO Para obtener un rendimiento óptimo, cargue completamente todos los paquetes de batería EGO antes de utilizar la estación de energía. Una batería se deberá cargar en una ubicación donde la temperatura sea superior a 41 °F (5 °C) e inferior a 104 °F (40 °C).

Para instalar el paquete de batería

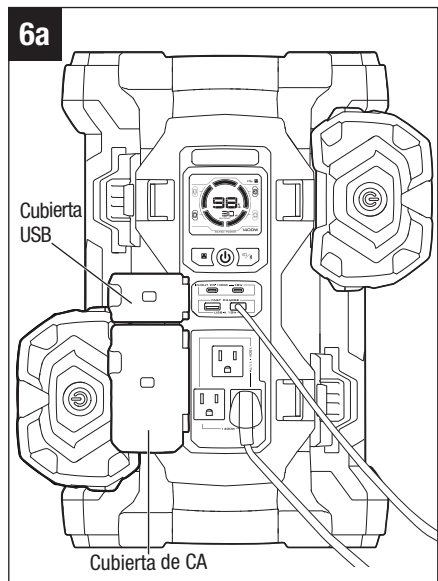
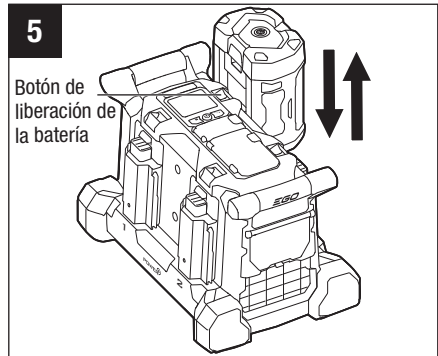
Alinee las costillas del paquete de batería con las ranuras de montaje ubicadas en la bahía de batería y deslice el paquete de batería hacia abajo hasta que se acople a presión en la posición correcta.

Para retirar el paquete de batería.

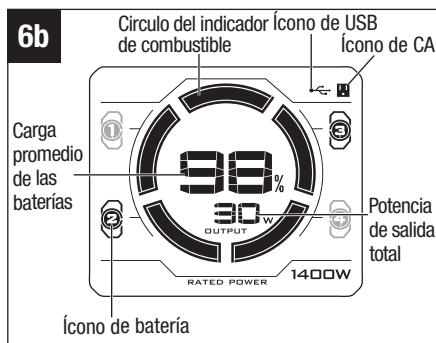
⚠ ADVERTENCIA Esté atento siempre a la ubicación de los pies, los niños o los animales domésticos cuando presione el botón de liberación de la batería. Se podrían producir lesiones graves si el paquete de batería se cae. No retire NUNCA el paquete de batería a una altura considerable del piso.

Presione el botón de liberación de la batería y el paquete de batería se desacoplará del pestillo. Agarre el paquete de batería y retírelo de la estación de energía.

1. Monte la batería (las baterías) firmemente en cualquier bahía de batería de la estación de energía (Fig. 5).
2. Abra la cubierta del puerto USB y/o la cubierta de la entrada de CA; conecte los dispositivos USB y/o de CA a cualquier puerto de la estación de energía (Fig. 6a).
3. Presione y mantenga presionado el botón de alimentación hasta que se ilumine para encender la estación de energía. La estación de energía estará en modo de autocomprobación y todos los indicadores de la pantalla LED se mostrarán durante unos segundos. Luego, la pantalla LCD se recuperará hasta la interfaz normal y solo se mostrarán los indicadores relevantes.



- Si conectó un dispositivo USB en el paso 2, dicho dispositivo comenzará a cargarse ahora, ya que los puertos USB siempre están activos. Por este motivo, el ícono de USB de la pantalla LCD se muestra siempre después de encender la estación de energía (Fig. 6b).
- La pantalla LCD mostrará el indicador de potencia de salida total, el indicador de carga promedio de las baterías y los íconos de batería correspondientes (Fig 6b).
- Si conectó un dispositivo de CA en el paso 2, presione el botón de control de salida de CA para activar los tres puertos de salida de CA. El ícono de CA se mostrará en la pantalla LCD (Fig. 6b).

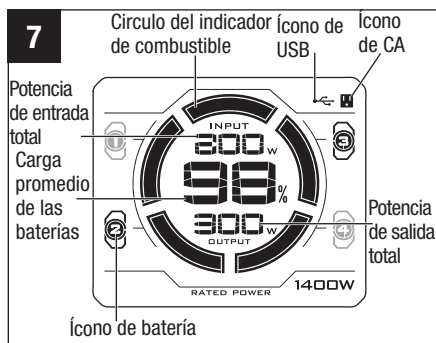


PROCESO DE CARGA DE LOS PAQUETES DE BATERÍA CON ALIMENTACIÓN DE DISPOSITIVOS

La estación de energía puede cargar paquete(s) de batería EGO y dispositivo(s) de CA/USB eléctrico(s) al mismo tiempo.

- Conexión de la estación de energía con fuente de alimentación, paquete(s) de batería EGO y dispositivo(s) de CA/USB tal como se describe en las secciones **“PROCESO DE CARGA DE LOS PAQUETES DE BATERÍA EGO”** y **“ALIMENTACIÓN DE LOS DISPOSITIVOS DE CA/USB”** que aparecen anteriormente en este manual.
- La pantalla LCD mostrará el indicador de potencia de entrada total, el indicador de potencia de salida total, el indicador de carga promedio de las baterías y los íconos de batería correspondientes (Fig 7).

AVISO Cuando la estación de energía esté cargando el paquete (los paquetes) de batería EGO y alimentado uno o varios dispositivos de CA/USB al mismo tiempo, su potencia total será de 1400 W. Si la



suma de la potencia de entrada total y la potencia de salida total excede 1400 W, la estación de energía reducirá la potencia de entrada (reducirá la velocidad de carga) para garantizar el suministro de energía para el dispositivo (los dispositivos) de CA/USB.

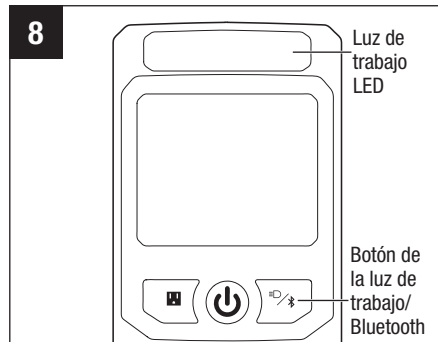
LUZ DE TRABAJO LED (Fig. 8)

La luz de trabajo LED está ubicada encima de la pantalla LCD. La luz de trabajo proporciona iluminación adicional para ofrecer mayor visibilidad y se puede ajustar en dos niveles de luminosidad.

Para encender la luz de trabajo, presione el botón de la luz de trabajo/Bluetooth. El ícono de la luz de trabajo se mostrará en la pantalla LCD

(vea la Fig 2). Presione el botón de la luz de trabajo/Bluetooth por segunda vez y la luz de trabajo iluminará con más intensidad.

Para apagar la luz de trabajo, presione el botón de la luz de trabajo/Bluetooth por tercera vez. El ícono de la luz de trabajo desaparecerá.



TECNOLOGÍA INALÁMBRICA BLUETOOTH®

Los productos con tecnología inalámbrica Bluetooth® incorporada se pueden conectar a dispositivos móviles utilizando las apps de EGO. Sírvase visitar www.egopowerplus.com para obtener instrucciones y siga la orientación de la app EGO Connect sobre cómo conectar y utilizar la función Bluetooth®.

El indicador de Bluetooth® se iluminará cuando la máquina se conecte a su dispositivo móvil.

MANTENIMIENTO

⚠ ADVERTENCIA Cuando haga servicio de ajustes y reparaciones, utilice únicamente piezas de repuesto idénticas. Es posible que el uso de cualquier otra pieza cree un peligro o cause daños al producto. Para garantizar la seguridad y la confiabilidad, todas las reparaciones deberán ser realizadas por un técnico de servicio calificado.

⚠ ADVERTENCIA Para evitar lesiones corporales graves, apague siempre la estación de energía y retire todos los paquetes de batería del producto cuando haga limpieza o realice cualquier mantenimiento.

MANTENIMIENTO GENERAL

Evite utilizar solventes cuando limpie las piezas de plástico. La mayoría de los plásticos son susceptibles a sufrir daños por diversos tipos de solventes comerciales y es posible que resulten dañados por el uso de los mismos. Utilice un paño limpio para retirar la suciedad, el polvo, el aceite, la grasa, etc.

⚠ ADVERTENCIA No deje en ningún momento que líquidos de freno, gasolina, productos a base de petróleo, aceites penetrantes, etc., entren en contacto con las piezas de plástico. Las sustancias químicas pueden dañar, debilitar o destruir el plástico, lo cual es posible que cause lesiones corporales graves.

TRANSPORTE Y ALMACENAMIENTO

⚠ PRECAUCIÓN Cumpla con los procedimientos de elevación durante el transporte.

- Desconecte todos los dispositivos y retire los paquetes de batería antes de mover, transportar o almacenar la estación de energía.
- Apague la estación de energía.
- Levante la estación de energía agarrando las empuñaduras con las dos manos: una en cada empuñadura.
- Limpie minuciosamente la estación de energía antes de almacenarla.
- Almacene la estación de energía en un lugar interior seco que sea inaccesible para los niños.
- Mantenga la unidad alejada de los agentes corrosivos, tales como productos químicos de jardín y sales anticongelantes.

RESOLUCIÓN DE PROBLEMAS

PROBLEMA	CAUSA	SOLUCIÓN
La estación de energía no funciona.	<ul style="list-style-type: none"> ■ Mala conexión entre la estación de energía y la fuente de alimentación. ■ No hay paquete de batería instalado. ■ No hay contacto eléctrico entre la estación de energía y el paquete de batería. ■ La estación de energía no está encendida. ■ La carga del paquete de batería está agotada (el ícono de batería correspondiente parpadea). ■ El sistema se apagará automáticamente después de 2 horas si la salida de USB es inferior a 2 W y la salida de CA es inferior a 5 W. 	<ul style="list-style-type: none"> ■ Reconecte la estación de energía a la fuente de alimentación. ■ Instale al menos un paquete de batería en la estación de energía. ■ Retire el paquete de batería, compruebe los contactos y reinstale el paquete de batería. ■ Presione y mantenga presionado el botón de alimentación para encender la estación de energía. ■ Cargue el paquete de batería. ■ Rearranque la estación de energía presionando y manteniendo presionado el botón de alimentación.
El indicador de alta temperatura se muestra en la pantalla LCD y desaparece después de 1 minuto. La estación de energía deja de funcionar.	<ul style="list-style-type: none"> ■ La estación de energía está demasiado caliente. 	<ul style="list-style-type: none"> ■ Apague y enfríe completamente la estación de energía hasta que pueda funcionar.

PROBLEMA	CAUSA	SOLUCIÓN
<p>El ícono o los íconos de batería correspondientes parpadean y el indicador de alta temperatura se muestra en la pantalla LCD y desaparece después de 1 minuto. La estación de trabajo deja de funcionar.</p>	<ul style="list-style-type: none"> ■ La estación de energía o el paquete de batería está demasiado caliente. 	<ul style="list-style-type: none"> ■ Apague y enfríe completamente la estación de energía y el paquete de batería hasta que la estación de energía pueda funcionar.
<p>El indicador de sobrecarga se muestra en la pantalla LCD y el ícono de CA desaparece. La estación de energía deja de funcionar.</p>	<ul style="list-style-type: none"> ■ La potencia de salida real es mayor que la potencia nominal. 	<ul style="list-style-type: none"> ■ Reduzca el número de dispositivos conectados o utilice dispositivos de carga baja. Asegúrese de que la potencia de salida total sea menor que la potencia nominal mostrada en la pantalla LCD. Reactive los puertos de CA.
<p>El indicador de falla se muestra en la pantalla LCD. La estación de energía deja de funcionar.</p>	<ul style="list-style-type: none"> ■ Se han producido una o más fallas que no son las indicadas anteriormente. 	<ul style="list-style-type: none"> ■ Contacte a servicio al cliente de EGO para obtener ayuda.
<p>El ícono o los íconos de batería correspondientes parpadean en la pantalla LCD.</p>	<ul style="list-style-type: none"> ■ Falla de comunicación. 	<ul style="list-style-type: none"> ■ Contacte a servicio al cliente de EGO para obtener ayuda.

GARANTÍA LIMITADA DE EGO

TÉRMINOS Y DURACIÓN DE LA PÓLIZA DE GARANTÍA

Chervon North America, Inc. ("Chervon North America, Naperville, IL 60563"), proporciona la siguiente Garantía Limitada para los productos EGO al comprador original de productos EGO.

El período de garantía detallado de cada producto EGO se puede encontrar en línea en <http://egopowerplus.com/warranty-policy>.

Sírvase contactar a Servicio al Cliente de EGO llamando gratis al 1-855-EGO-5656 en cualquier momento en que tenga preguntas o reclamos de garantía.

GARANTÍA LIMITADA DE SERVICIO

Los productos EGO están garantizados contra defectos de material o de fabricación a partir de la fecha de compra minorista original durante el período de garantía aplicable. Para cualquier reclamo de garantía presentado de manera adecuada y oportuna, si Chervon North America determina que un producto presenta algún defecto durante el período de garantía, dicho producto recibirá una reparación o un remplazo gratuitos, según lo determine Chervon North America.

CÓMO OBTENER SERVICIO

Para obtener servicio de garantía, dentro del período de garantía aplicable, sírvase contactar a servicio al cliente de EGO llamando gratis al **1-855-EGO-5656**. Cuando solicite servicio de garantía, deberá presentar el recibo de venta fechado original. Se seleccionará un centro de servicio autorizado para evaluar y reparar el producto si el mismo presenta algún defecto de acuerdo con los términos establecidos en la garantía. Cuando lleve su producto al centro de servicio autorizado, es posible que se requiera un pequeño depósito cuando deje allí su herramienta. Este depósito es reembolsable cuando se considere que el servicio de reparaciones esté cubierto bajo garantía. El comprador es responsable del transporte de cualquier equipo o aditamento de energía para exteriores a sus expensas.

LIMITACIONES Y EXCLUSIONES ADICIONALES

Esta garantía limitada se aplica solo al comprador original que realice la compra a un minorista EGO autorizado y no es transferible. Los productos EGO no serán considerados defectuosos, y esta garantía no se aplicará, en los casos en que el defecto por el que se presente el reclamo sea atribuible a cualquier causa que no sean los defectos definidos anteriormente en este documento. Esta garantía quedará anulada si el producto se ha utilizado para fines de alquiler. Esta garantía no se aplicará a daños causados por



accidente, abuso, uso incorrecto, alteración, modificación, reparación no autorizada, contacto con líquidos, incendio, terremoto u otra causa externa; utilización del producto sin seguir las instrucciones, especificaciones o pautas de EGO; o no hacer servicio de ajustes y reparaciones o no mantener adecuadamente el producto. Esta garantía tampoco se aplica a los daños cosméticos, incluyendo, pero sin limitarse a ello, rasguñaduras o abolladuras; defectos causados por el desgaste por el uso normal o defectos que de alguna otra manera se deban al envejecimiento normal del producto.

ESTA GARANTÍA EXPRESA SE DA EN LUGAR DE TODAS LAS DEMÁS GARANTÍAS, EXPRESAS O IMPLÍCITAS, INCLUYENDO, PERO SIN LIMITARSE A ELLO, TODAS LAS GARANTÍAS DE COMERCIABILIDAD O IDONEIDAD PARA UN PROPÓSITO O USO ESPECÍFICO, LAS CUALES QUEDAN EXCLUIDAS. Todas las garantías implícitas, incluyendo las garantías de comerciabilidad o idoneidad para un propósito específico, que no se puedan excluir bajo la ley estatal, están limitadas al período de garantía aplicable definido al comienzo de este artículo. El remedio único y exclusivo en conexión con la compra, instalación, uso y/o rendimiento de los productos EGO es la reparación o el reemplazo del producto tal y como lo determine Chervon North America. La responsabilidad máxima de North America no excederá en ningún caso el precio de compra pagado por el producto. CHERVON NORTH AMERICA NO SERÁ RESPONSABLE ANTE EL USUARIO NI ANTE NADIE MÁS POR DAÑOS EMERGENTES, INCIDENTALES, ESPECIALES, EJEMPLARES, INDIRECTOS O PUNITIVOS QUE SURJAN DEL USO DE LOS PRODUCTOS, INCLUYENDO, PERO SIN LIMITARSE A ELLO, LESIONES CORPORALES, MUERTE, DAÑOS MATERIALES, GANANCIAS PERDIDAS U OTROS PERJUICIOS ECONÓMICOS. Esta garantía le confiere a usted derechos legales específicos y es posible que usted tenga también otros derechos que varían de un estado a otro. Algunos estados no permiten limitaciones en cuanto a la duración de una garantía implícita, la exclusión o limitación de los daños incidentales o emergentes, o las limitaciones al tiempo para emprender ciertas acciones legales, por lo que las limitaciones contenidas en el presente documento no se aplican a los consumidores individuales de esos estados.

Esta garantía está sujeta a la ley de Michigan y se interpretará de acuerdo con dicha ley, con independencia de los principios sobre conflictos de leyes. No se emprenderá ninguna acción legal contra Chervon North America a menos que se presente dentro del plazo de un (1) año después de que se tenga conocimiento de la base de dicha acción legal o de la cual se debiera haber tenido conocimiento con el ejercicio de una diligencia razonable. Se considerará que se ha renunciado a cualquier acción legal que no se presente oportunamente.

Para obtener servicio al cliente, contáctenos llamando gratis al **1-855-EGO-5656** o en **EGOPOWERPLUS.COM**.

EGO Customer Service,
769 Seward Ave. NW, Suite 102,
Grand Rapids, Michigan 49504.

10/25

92

ESTACIÓN DE ENERGÍA DE ION LITIO DE 56V — PST1400/PST1400-FC