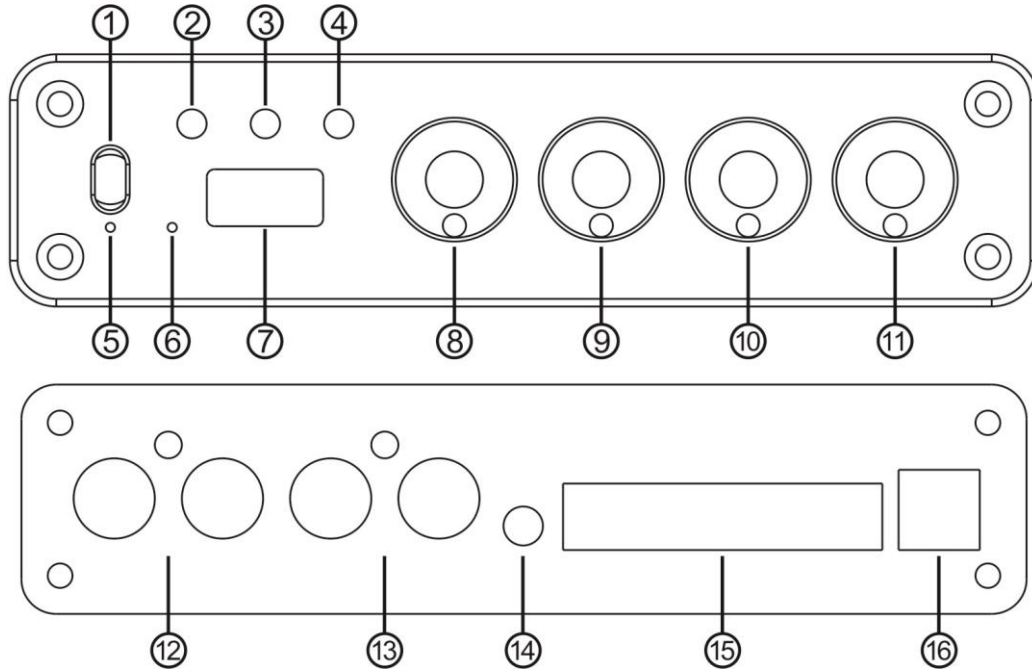


Thank you very much for choosing our products! Please read this manual carefully before using the product.

Front & Back panel interface function description:



- ① POWER NO/OFF (Input signal switching button)
- ② Previous button
- ③ Play pause / U disk,Bluetooth switch button (short press play pause, long press to switch U disk and Bluetooth input)
- ④ Next button
- ⑤ Power Indicator Light
- ⑥ Bluetooth/U-Disk INDICATOR LIGHT
- ⑦ U-disk interface
- ⑧ CH4 independent volume knob (clockwise increase, counterclockwise decrease)
- ⑨ CH3 independent volume knob (clockwise increase, counterclockwise decrease)
- ⑩ CH2 independent volume knob (clockwise increase, counterclockwise decrease)
- ⑪ CH1 independent volume knob(clockwise increase, counterclockwise decrease)
- ⑫CH1&CH2 audio input interface (Such as CD, DAC decoder, mobile phone, TV, etc., red to CH1 channel input, white to CH2 channel input)
- ⑬ CH3&CH4 audio source input or cascade output
- ⑭CH3&CH4 working mode switch key (CH3&CH4 is the input mode of sound source when the switch is pressed, and the output mode of sound source when the switch is pressed)
- ⑮ Speaker interface (connect 4 speakers according to the

product instructions)

⑩ Power interface(DC power shall not exceed 24V)

Operation Steps:

1. Make sure the VOL button to the minimum.
2. Connect the speakers according to the rear panel interface, pay attention to distinguish between positive and negative.
3. Connect the sound source that needs to be used(Optional RCA/Bluetooth, U disk)
4. If the current playback state, inserting a U-disk will automatically jump to the U-disk mode.
5. when you need to play the same audio source, but the number of speakers is greater than 4, you can choose CH3/CH4 as the audio output, and then connect to the next power amplifier. You can connect multiple power amplifiers and connect multiple speakers in turn
6. connect the power adapter.
7. turn on the power and switch to the current input audio source.

Specifications:

| | | | |
|----------------------------|-------------------|----------------------|--------------------------|
| Maxpower output | 50W*2 4Ω load | THD | 1W 0.05% |
| Speaker matching impedance | 4-8Ω | SNR | ≥98dB |
| Working voltage | 12-24V | Bare metal size | L133*W128*H33mm |
| Input sensitivity | 0.775V | Total Weight | 0.52kg |
| Frequency response | 20Hz-20kHz (±3dB) | Package Dimension | L240*W210*H60mm |
| CH3&CH4 output range | 0.775V | Support music format | MP3, WMA, APE, FLAC, WAV |

Frequently Asked Questions:

Q: why do the four speakers sound different?

A: the volume of each output channel of this machine is controlled independently. The volume knob must be on the same scale to maintain the same volume

Q: can it be integrated into a home theater system?

A: of course, if you want to integrate a 5.1 speaker system, all you need to do is add a subwoofer and a center speaker to build a simple home theater system.

Q: can the CH3&CH4 knob control the volume of the audio output?

A: no, each knob only independently controls the output volume of the corresponding channel power amplifier

Q: All the cables are connected, but no sound output?

A: 1. Check the POWER indicator is on, press the POWER button if the light is still off, At this point you can find a other same output voltage power supply (must 12-24V) to check if the power supply failure.If the POWER indicator light is on, check whether the corresponding input signal is selected correctly.

2. If the indicator light is on, check whether the VOL knob is in the minimum position. If so, turn clockwise to normal Volume.

3. If both of the above are normal, check the input device if it is paused, mute, or the volume is minimized.

Q: why does the voice break?

A: the machine has an internal amplifier that amplifies the front stage. If both the sound source and the amplifier are set to the maximum volume output, it is easy to distort.

Q: Why do loudspeakers make a lot of electric noise?

A: if you are not using the original factory standard power supply, please replace the power supply before testing.Many power supply in the market have large interference coefficient, which will cause a lot of current sound.

Q: Why is the speaker noisy when I plug in the input cable but no sound source is connected?

A: If an unshielded signal line is used, an interfering signal will enter the power amplifier. If you hate this sound, it is recommended that you use a shielded signal cable or unplug the signal cable.

Q: Why does the amplifier stop working after a period of time? After a period of time off, it was working again

A: Normally in this case, the amplifier is overheating protected, and the output power may have exceeded the designed power, so you can lower the volume a little and then try again.

Q: why does the volume of the machine stay the same, while the sound of different audio sources (such as CDS and mobile phones) is different?

A: Different types of audio equipment have different output frequency ranges. The mobile phone is usually 0.35mV and the CD is 1V. The signal output frequency of the sound source will directly affect the volume.

Warning:

1. Please do not open the shell without permission. Improper operation may cause the danger of electric shock.
2. Please use the power supply of the regular manufacturer, otherwise it will damage the machine.
3. Please do not use the machine in a high temperature and humidity environment.