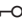


Operating and installation instructions Refrigerators



To avoid the risk of accidents or damage to the appliance it is **essen-
tial** to read these instructions before it is installed and used for the
first time.

Contents

Warning and Safety instructions	4
Caring for the environment	13
Saving energy	14
Guide to the appliance	16
Accessories	18
Accessories supplied	18
Optional accessories	18
Switching on and off	19
Before using for the first time	19
Connecting the appliance	19
Operating the appliance	19
Switching on	19
Switching off	20
Switching off for longer periods of time	20
The correct temperature	21
... in the refrigerator section	21
Temperature display	21
Setting the temperature	22
Using Super cool and DynaCool	23
SuperCool function	23
DynaCool function	24
Door alarm	25
Selecting further settings	26
Safety lock 	26
To activate the lock	26
To deactivate the lock	26
Storing food in the refrigerator section	27
Different storage zones	27
Food which is not suitable for storage in the refrigerator section	28
Notes on buying food	29
Storing food correctly	29
Adjusting the interior fittings	30
Moving the shelves	30
Adjusting the door shelf/bottle shelf	30
Adjusting or removing the bottle holder	30

Adjusting the bottle rack	31
Removing and replacing the fruit and vegetable drawer.....	31
Replacing the drawer	31
Defrosting	32
Cleaning and care	33
Cleaning agents.....	33
Preparing the appliance for cleaning.....	34
Cleaning the interior and accessories	35
Cleaning the front of the appliance and the side panels.....	36
Stainless steel appliances	36
Cleaning the ventilation gaps	37
Cleaning the compressor and metal grille at the back of the appliance.....	37
Cleaning the door seal	38
Problem solving guide	39
Noises	44
Service	45
Contact in the event of a fault	45
EPREL database	45
Warranty	45
Installation	46
Installation	46
Side-by-side installation.....	46
Location.....	46
Ventilation.....	47
Fitting wall spacers supplied.....	48
Installing the refrigeration appliance	48
Levelling the appliance door	49
Building the appliance into a kitchen run	50
Installation dimensions.....	52
Changing the door hinging.....	53
Aligning the appliance door.....	56
Electrical connection	57

Warning and Safety instructions

This refrigeration appliance complies with current safety requirements. Inappropriate use can, however, lead to personal injury and material damage.

Please read the operating and installation instructions carefully before using the refrigeration appliance for the first time. They contain important information on safety, installation, use and maintenance. This is to protect yourself from injury, and from damaging your refrigeration appliance.

In accordance with standard IEC 60335-1, Miele expressly and strongly advises that you read and follow all information provided on installing the refrigeration appliance, as well as the safety notes and warnings.

Miele cannot be held liable for injury or damage caused by non-compliance with these instructions.

Keep these operating and installation instructions in a safe place and pass them on to any future owner.

Correct application

- ▶ This refrigeration appliance is intended for use in the home and in similar environments, for example
 - in shops, offices and similar work settings
 - by the guests in hotels, motels, bed & breakfasts and other typical home settings.

This refrigeration appliance is not intended for outdoor use.

- ▶ This appliance is intended for domestic use only for cooling and storing food and drink.

It must not be used for any other purpose.

Warning and Safety instructions

▶ This refrigeration appliance is not suitable for storing and keeping cool medicines, blood plasma, laboratory preparations or similar substances or products that are subject to the Medical Device Directive. Incorrect use of the refrigeration appliance for such purposes may cause deterioration of the items stored. The refrigeration appliance is also not suitable for use in areas where there is a risk of explosion.

Miele cannot be held liable for damage caused by improper or incorrect use or operation of the appliance.

▶ The appliance can only be used by people with reduced physical, sensory or mental capabilities, or lack of experience and knowledge, if they are supervised whilst using it, or have been shown how to use it in a safe way and recognise and understand the consequences of incorrect operation.

Safety with children

▶ Children under 8 years of age must be kept away from the refrigeration appliance unless they are constantly supervised.

▶ Children 8 years and older may only use the appliance unsupervised if they have been shown how to use it in a safe way and recognise and understand the consequences of incorrect operation.

▶ Children must not be allowed to clean or maintain the appliance unsupervised.

▶ Please supervise children in the vicinity of the appliance and do not let them play with it.

▶ Danger of suffocation! Whilst playing, children could become entangled in packaging (such as plastic wrapping) or pull it over their head and suffocate. Keep packaging material away from children.

Warning and Safety instructions

Technical safety

▶ The coolant circuit has been checked for leaks. The refrigeration appliance complies with statutory safety requirements and the appropriate EU directives.



▶ This refrigeration appliance contains the refrigerant isobutane (R600a), a natural gas which is environmentally friendly but flammable. The refrigerant does not damage the ozone layer and does not contribute to the greenhouse effect.

The use of this refrigerant has, however, led to a slight increase in the noise level of the appliance. In addition to the noise of the compressor, you might be able to hear the refrigerant flowing around the cooling circuit. Unfortunately, this cannot be avoided, but it does not affect the performance of the refrigeration appliance.

When transporting and installing the refrigeration appliance, ensure that no parts of the cooling circuit are damaged. Splashes of refrigerant can damage the eyes.

In the event of damage:

- Avoid naked flames or anything which creates a spark.
 - Disconnect the refrigeration appliance from the mains electricity supply.
 - Ventilate the room where the refrigeration appliance is located for several minutes.
 - Contact the Miele Customer Service Department.
- ▶ The more coolant there is in a refrigeration appliance, the larger the room it should be installed in. In the event of a leakage, if the appliance is in a small room, there is the danger of a combustible gas/air mixture building up. For every 11 g of coolant at least 1 m³ of room space is required. The amount of coolant in the refrigeration appliance is stated on the data plate inside the appliance.

Warning and Safety instructions

- ▶ To avoid the risk of damage to the appliance, make sure that the connection data (fuse rating, frequency and voltage) on the data plate corresponds to the household supply. Check that this is the case before connecting the appliance. Consult a qualified electrician if in any doubt.
- ▶ The electrical safety of this appliance can only be guaranteed when correctly earthed. It is essential that this standard safety requirement is met. If in any doubt please have the electrical installation tested by a qualified electrician.
- ▶ Reliable and safe operation of this appliance can only be assured if it has been connected to the mains electricity supply.
- ▶ If the electrical connection cable is faulty it must only be replaced by a Miele authorised service technician to protect the user from danger.
- ▶ Do not connect the appliance to the mains electrical supply by a multi-socket adapter or extension lead. These are a fire hazard and do not guarantee the required safety of the appliance.
- ▶ If moisture gets into electrical components or into the mains connection cable, it could cause a short circuit. Therefore, do not operate this refrigeration appliance in areas which are exposed to moisture (e.g in a garage or utility room).
- ▶ This appliance must not be used in a non-stationary location (e.g. on a ship).
- ▶ Do not use a damaged appliance. It could be dangerous. Check the appliance for visible signs of damage.
- ▶ This refrigeration appliance is not intended for use as a built-in appliance.
- ▶ The appliance must be isolated from the electricity supply during installation, maintenance and repair work.

Warning and Safety instructions

- ▶ Unauthorised installation, maintenance and repairs can cause considerable danger for the user. Installation, maintenance and repairs must only be carried out by a Miele authorised technician.
- ▶ While the appliance is under warranty, repairs should only be undertaken by a Miele authorised service technician. Otherwise the warranty is invalidated.
- ▶ Faulty components must only be replaced with genuine Miele original spare parts. Miele can only guarantee the safety standards of the appliance when Miele replacement parts are used.
- ▶ This refrigeration appliance is supplied with a special lamp to cope with particular conditions (e.g. temperature, moisture, chemical resistance, abrasion resistance and vibration). This lamp must only be used for the purpose for which it is intended. The lamp is not suitable for room lighting. Replacement lamps may only be fitted by a Miele authorised technician or by the Miele Customer Service Department. This refrigeration appliance contains several light sources with at least energy efficiency class G.

Correct use

- ▶ This refrigeration appliance is designed for use within specific ambient temperatures (climate range). Do not use in ambient temperatures for which it is not designed. The climate range is stated on the data plate in the interior cabinet of the refrigeration appliance. A lower ambient temperature will cause the compressor to switch off for longer periods, meaning that the refrigeration appliance is unable to maintain the required temperature.
- ▶ Do not cover or block the air vents as this could impair the efficiency of the appliance, increase the electricity consumption and could cause damage to the components.
- ▶ If storing food which contains a lot of fat or oil in the appliance or the door, make sure that it does not come into contact with plastic components as this could cause stress cracks or break the plastic.
- ▶ Risk of fire and explosion. Do not store explosive materials in the refrigeration appliance or any products containing propellants (e.g. spray cans). Electrical components can cause flammable mixes of gases to ignite.
- ▶ Danger of explosion. Do not operate any electrical equipment (e.g. an electric ice-cream maker) inside the refrigeration appliance. Danger of sparking and explosion.
- ▶ Observe the manufacturer's "use-by" dates and storage instructions given on food to avoid the risk of food poisoning. Storage times will depend on several factors, including the freshness and quality of the food, as well as the temperature at which it is stored.

Stainless steel appliances

- ▶ Adhesives will damage the stainless steel surface and cause it to lose its dirt-repellent protective coating. Do not use sticky notes, transparent adhesive tape, masking tape or other types of adhesive on the stainless steel surface.

Warning and Safety instructions

▶ The surface is susceptible to scratching. Even magnets can cause scratching.

Accessories and spare parts

▶ Only use genuine original Miele accessories and spare parts with this appliance. Using accessories or spare parts from other manufacturers will invalidate the warranty, and Miele cannot accept liability.

▶ Miele will guarantee to supply functional spare parts for a minimum of 10 years and up to 15 years following the discontinuation of your refrigeration appliance.

Cleaning and care

- ▶ Do not use any oils or grease on the door seals, as these will cause the seals to deteriorate and become porous with time.
- ▶ Do not use a steam cleaning appliance to clean or defrost this appliance.
Steam could reach electrical components and cause a short circuit.
- ▶ Sharp edged or pointed objects will damage the evaporator, causing irreversible damage to the appliance. Do not use sharp edged or pointed objects to
 - remove frost and ice,
 - separate frozen food or remove ice trays.
- ▶ Do not place electric heaters or candles in the appliance to defrost it. These can damage the plastic parts.
- ▶ Do not use defrosting sprays or de-icers, as they could contain substances which could damage the plastic parts or which might cause the build-up of gases and pose a danger to health.

Transport

- ▶ Always transport the appliance in an upright position and in its original transport packaging to avoid damage in transit.
- ▶ Danger of injury and damage to the appliance. The refrigeration appliance is very heavy and must be transported by two people.

Disposal of your old appliance

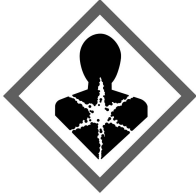
- ▶ If your old refrigeration appliance has a door lock, destroy it. This will prevent the risk of children playing accidentally locking themselves in and endangering their lives.
- ▶ Splashes of coolant can damage the eyes. Be careful not to damage any part of the pipework whilst awaiting disposal, e.g. by
 - puncturing the coolant channels in the condenser,

Warning and Safety instructions

- bending any pipework, or
- scratching the surface coating.

Symbol on the compressor (depending on model)

This information is only relevant for recycling. There is no risk during normal operation.



- ▶ The oil in the compressor can be fatal if swallowed or if it penetrates the airways.

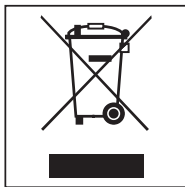
Disposal of the packing material

The packaging is designed to protect the appliance from damage during transportation. The packaging materials used are selected from materials which are environmentally friendly for disposal and should be recycled.

Recycling the packaging reduces the use of raw materials in the manufacturing process and also reduces the amount of waste in landfill sites.

Disposing of your old appliance

Electronic and electrical appliances contain many valuable materials. They also contain certain materials, compounds and components which were essential for their correct functioning and safety. These could be hazardous to your health and to the environment if disposed of with general waste or if handled incorrectly. Please do not, therefore, dispose of your old appliance with general waste.



Instead, please make use of officially designated collection and disposal points to dispose of and recycle electrical and electronic appliances in your local community, with your dealer or with Miele. By law, you are solely responsible for deleting any personal data from the appliance prior to disposal.

Take care not to damage your refrigeration appliance's pipework before or during transportation to an authorised collection depot.

This is to ensure that coolant in the cooling circuit and oil in the compressor is contained, and will not leak into the environment.

Please ensure that your old appliance poses no risk to children while being stored prior to disposal. For further information, see "Warning and Safety instructions" in these operating and installation instructions.

Saving energy

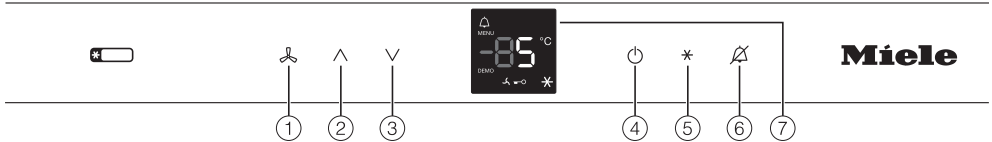
	Normal energy consumption	Increased energy consumption
Installation / Maintenance	In a ventilated room.	In an enclosed, unventilated room.
	Protected from direct sunlight.	In direct sunlight.
	Not near to a heat source (radiator, oven).	Near to a heat source (radiator, oven).
	Where the ideal ambient room temperature is approx. 20 °C.	Where the ambient room temperature is above 25 °C.
	Ventilation gaps uncovered and dusted regularly.	Ventilation gaps covered or dusty.
	Compressor and metal grille (heat exchanger) at the back of the appliance dusted at least once a year.	Dust build-up on the compressor and metal grille (heat exchanger).
Temperature setting	Refrigerator section 4 to 5 °C	The lower the temperature, the higher the energy consumption.

Saving energy

	Normal energy consumption	Increased energy consumption
Use	Drawers and shelves arranged as they were when the appliance was delivered.	
	Only open the door when necessary and for as short a time as possible. Store food in an organised way.	Frequent opening of doors for long periods will cause a loss of coldness. The appliance will try to cool down and the compressor will run for longer periods.
	Take an insulated cool bag when shopping, and load food in the appliance as soon as possible. Replace any food removed as quickly as possible, before it warms up too much. Allow hot food and drinks to cool down before placing them in the appliance.	Hot food or food at room temperature raises the temperature inside the appliance. The appliance will try to cool down and the compressor will run for longer periods.
	Store food well packaged or covered.	The evaporation or condensation of liquids in the refrigerator section will cause a loss of coldness.
	Place frozen food in the refrigerator to defrost.	
	Do not over-fill the appliance to allow air to circulate.	Poor air circulation will cause a loss of coldness.

Guide to the appliance

Control panel

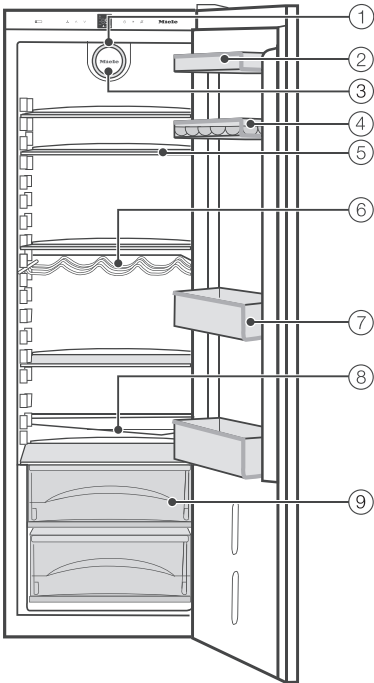


- ① On/Off sensor the DynaCool function
- ② For setting the temperature (∧ for warmer)
- ③ For setting the temperature (∨ for colder)
- ④ For switching the appliance on and off
- ⑤ On/Off sensor for the Super cool function
- ⑥ For switching off the door alarm
- ⑦ Display with temperature and symbols (symbols only visible during use; see table for explanation of symbols)

Symbols in the display

Symbol	Function
	Alarm Flashes if the door has been left open
	SuperCool Lights up when SuperCool is switched on
	Safety lock Lights up when the lock is activated
	DynaCool Lights up when DynaCool is switched on
DEMO	Demo mode Demo mode has been activated. Call Service.
MENU	Settings menu Lights up when settings are being made

Guide to the appliance



- ① Interior lighting
- ② Butter and cheese compartment
- ③ Fan
- ④ Egg tray
- ⑤ Adjustable shelf
- ⑥ Bottle rack
- ⑦ Bottle shelf with bottle holder
- ⑧ Condensate channel and drain hole
- ⑨ Fruit and vegetable drawers

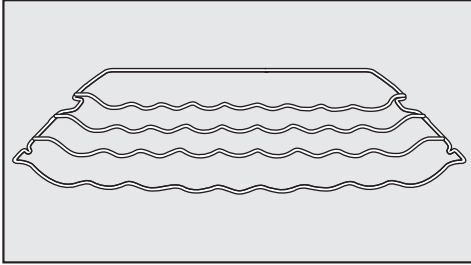
For easier installation there are transport handles on the back at the top and transport wheels underneath the appliance.

This drawing is for illustration purposes only.

Accessories

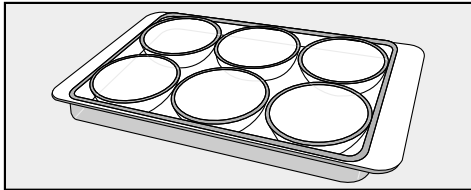
Accessories supplied

Bottle rack



Bottles can be stored horizontally using the bottle rack to save space. The bottle rack can be placed at different positions in the appliance.

Egg tray



Optional accessories

A range of useful Miele accessories and care products are available for your appliance.

Bottle rack

The appliance is supplied with a bottle rack for the refrigerator section. Additional bottle racks can be fitted if required.

KKF-FF charcoal filter with holder (Active AirClean)

Charcoal filters neutralise unpleasant odours in the fridge zone for improved air quality.

KKF-RF replacement filters (Active AirClean)

Replacement filters to fit the holder are available. We recommend replacing the charcoal filters every 6 months.

Side-by-side installation kit

To install two or more refrigeration appliances next to one another, you will need the side-by-side installation kit (see “Installation – Side-by-side”).

Multi-purpose microfibre cloth

The microfibre cloth is suitable for removing fingerprints and light soiling from surfaces such as stainless steel, glass, plastic and chrome without the use of chemicals.

Accessories are available to order via the Miele Webshop, from Miele directly (see back cover for contact details) or from your Miele dealer.

Before using for the first time

Packaging material

- Remove all packaging material from the inside of the appliance.

Removing the protective film

The stainless steel trim on the door shelves and adjustable shelves has a layer of protective film to prevent damage during transportation. The appliance door, and side panels where applicable, have a layer of protective film too.

- Do not remove the film until the refrigeration appliance has been positioned in its final location.

Cleaning and care

Please refer to the relevant instructions in “Cleaning and care”.

- Clean the inside of the appliance and the accessories.

Connecting the appliance

- Connect the appliance to the electricity supply as described in “Electrical connection”.

Operating the appliance

A light touch of the finger on the sensors is all that is required to operate this appliance.

Switching on



- Touch the On/Off sensor.

The temperature display will light up and show the current temperature in the appliance.

If the word DEMO appears in the display, demo mode is active. Please call Miele Service.

The appliance will start to cool and the interior lighting will come on when the appliance door is opened.


Switching on and off

Switching off



- Touch the On/Off sensor.

The temperature display will go out.

If this does not happen, the safety lock  is still activated (see “Selecting further settings - To activate/deactivate the lock”).

The cooling system will be switched off.

Switching off for longer periods of time

If, during a long absence, the refrigeration appliance is switched off but not cleaned and the door(s) left shut, there is a risk of mould forming inside the appliance.

It is essential to clean the refrigeration appliance.

If the refrigeration appliance is not going to be used for a longer period of time, observe the following:

- Switch the refrigeration appliance off.
- Switch the appliance off at the wall socket and pull the plug out of the socket, or disconnect the fuse.
- Clean the refrigeration appliance and leave the door ajar to air the appliance and avoid odours building up inside.

The correct temperature

It is very important to set the correct temperature for storing food in the appliance. Bacteria will cause food which is not stored at the correct temperature to deteriorate rapidly. Temperature influences the growth rate of these bacteria. Reducing the temperature reduces their growth rate.

The temperature in the refrigeration appliance will rise:

- The more often the appliance door is opened and the longer it is kept open
- The more food that is stored in it
- The warmer the food is which is being put into it
- The higher the ambient temperature surrounding the refrigeration appliance. This refrigeration appliance is designed for use within specific ambient temperatures (climate range). Do not use in ambient temperatures for which it is not designed.

... in the refrigerator section

We recommend a temperature of **4 °C** in the refrigerator section.

Temperature display

In normal operation the temperature display shows the **average, current temperature in the refrigerator**.

Depending on the ambient temperature and the temperature setting, it can take the appliance a few hours to reach the temperature required and for this temperature to then be shown as a constant temperature in the display.

The correct temperature

Setting the temperature

The two sensors next to the display are used for setting the temperature.



- Touch this sensor to lower the temperature.



- Touch this sensor to increase the temperature.

The temperature being set will flash in the display.

The following information can be viewed in the display when the sensors are touched:

- Touching a sensor once: the **last temperature selected** flashes.
- Each subsequent touch of the sensor: adjusts the temperature shown in 1 °C steps.
- Leaving a finger on the sensor changes the temperature continuously.

Approximately 5 seconds after the last time a sensor has been touched, the **current** temperature inside the appliance is automatically shown.

Tip: If you have adjusted the temperature, **wait for approx. 6 hours if the appliance is not very full and for approx. 24 hours if the appliance is full** before checking the temperature display, as it will take this long for the appliance to give an accurate reading. If, after this time, the temperature is still too high or too low you will need to reset it.

Temperature range

The temperature can be adjusted from 2 °C to 9 °C.

SuperCool function

The SuperCool function can be used to rapidly reduce the temperature in the refrigerator section to its lowest setting (depending on the room temperature).

SuperCool is particularly recommended for the rapid chilling of large amounts of fresh food or drink.

Switching on SuperCool



- Touch the SuperCool sensor.

The SuperCool symbol * will light up in the display.

The appliance will work at full power to lower the temperature in the appliance.

Switching off SuperCool

The SuperCool function switches off automatically after approx. 6–12 hours. The SuperCool symbol * will go out and the appliance will then continue to work at normal power.

To save energy, the SuperCool function can be switched off once food and drinks are sufficiently chilled.



- Touch the SuperCool sensor.

The SuperCool symbol * in the display will go out.

The appliance will continue running at normal power.

Using Super cool and DynaCool

DynaCool function

When the DynaCool function is not switched on, the natural circulation of air in the appliance will cause different temperature zones in the refrigerator as the cold, heavy air will sink to the lowest section of the appliance. You should bear this in mind when placing food in the appliance (see “Storing food in the refrigerator section”).

However, if you are placing a large amount of food in the refrigerator at any one time, it is a good idea to switch on DynaCool. This way you can distribute the temperature inside the appliance to all areas more evenly so that all the food will be chilled to about the same degree.

The temperature is set as normal with the temperature control.


DynaCool should also be selected when:

- the ambient temperature in the room is high (above approx. 30 °C), and
- the room humidity level is high.

Switching on DynaCool



- Touch the DynaCool sensor.

The  symbol will appear in the display.


The fan is running. With some appliances it only switches on when the compressor is running.

Switching off DynaCool

Because DynaCool requires more energy, you should switch it off under normal conditions.



- Touch the DynaCool sensor.

The  symbol in the display will go out and the fan switches off.

To save energy, the fan switches off automatically whilst the appliance door is open.

An alarm will sound if the appliance door has been left open for longer than 60 seconds.

It will stop as soon as the door is closed.

Switching the door alarm off early

If the noise disturbs you, you can switch the alarm off if you wish.



- Touch the sensor for switching off the door alarm.

The alarm will stop.

Selecting further settings

Safety lock

The safety lock prevents the appliance being switched off without your knowledge, by children, for example.

To activate the lock




- Touch the SuperCool sensor for approx. 5 seconds.

The MENU symbol will appear in the display and a c will start flashing.



- Touch the SuperCool button again.
 c 1 will appear in the display.

- To activate the lock confirm the c 1 option by touching the SuperCool sensor again.
- If you want to cancel the process touch the On/Off sensor twice.

The lock symbol  will appear in the display if you have activated the lock.



- To come out of settings mode touch the On/Off sensor, or wait for approx. 5 minutes and the electronics will automatically revert to normal operation.

To deactivate the lock




- Touch the SuperCool sensor for approx. 5 seconds.

The MENU symbol will appear in the display and a c will start flashing.




- Touch the SuperCool button again.
 c 0 will appear in the display.
- To deactivate the lock confirm the c 0 option by touching the SuperCool sensor again.
- If you want to cancel the process touch the On/Off sensor twice.

The lock symbol  in the display will go out when the lock has been deactivated.




- To come out of settings mode touch the On/Off sensor, or wait for approx. 5 minutes and the electronics will automatically revert to normal operation.

Storing food in the refrigerator section

 Risk of explosion due to flammable mixes of gases.

Electrical components can cause flammable mixes of gases to ignite.

Do not store explosive materials in the refrigeration appliance or any products containing propellants (e.g. spray cans).

 Risk of damage due to greasy or oily food.

If storing food which contains a lot of fat or oil in the refrigeration appliance or the appliance door, make sure that it does not come into contact with plastic components as this could cause stress cracks or break the plastic.

Make sure that no fat or oil leaks onto the plastic parts of the refrigeration appliance.

Different storage zones

Due to natural air circulation, there are different temperature zones in the refrigerator section.

Cold, heavy air sinks to the lowest section of the refrigeration section. Make use of the different zones when placing food in the appliance.

Tip: To allow air to circulate efficiently, do not pack food too closely together in the appliance.

If there is insufficient air circulation, the cooling performance will decrease and energy consumption will increase.

Do not cover the fan in the rear wall of the appliance.

Tip: Do not store food in such a way that it touches the rear wall of the refrigerator section as it may freeze to the rear wall.

Warmest area

The warmest area in the refrigerator section is at the top in the front area and in the door. Use this for storing butter and cheese.

Storing food in the refrigerator section

Coldest area

The coldest area in the refrigerator section is directly above the fruit and vegetable drawer and at the back of the appliance.

Use these areas to store all delicate and highly perishable food such as:

- Fish, meat, poultry
- Cold cuts, ready meals
- Dishes or baked goods containing eggs or cream
- Fresh dough, cake mixtures, pizza or quiche dough
- Raw milk cheese and other raw milk products
- Pre-packed vegetables
- Other fresh food (with a label stating it should be kept at a temperature of approx. 4 °C)

Food which is not suitable for storage in the refrigerator section

Not all food is suitable for refrigeration at temperatures below 5 °C, because it may be sensitive to cold. Depending on the type of food, the appearance, consistency, flavour and/or vitamin content may be altered if stored at too cold a temperature.

Food which is sensitive to cold includes:

- Pineapples, avocados, bananas, pomegranates, mangoes, melons, papayas, passionfruit, citrus fruit such as lemons, oranges, mandarins, grapefruit
- Fruit (which is not yet ripe)
- Aubergines, cucumbers, potatoes, peppers, tomatoes, courgettes
- Hard cheeses (e.g. Parmesan, mountain cheese)

Storing food in the refrigerator section

Notes on buying food

The freshness of the food when it is first placed in the appliance is the most important factor for how long it stays fresh.

Take into account the use-by date and the correct storage temperature.

Time out of the refrigerator, e.g. transporting food in a warm car, should be kept to a minimum.

Storing food correctly

Ensure that food stored in the fridge zone is **covered or wrapped properly**.

This will prevent food odours from affecting other foods, stop food from drying out and also prevent any cross-contamination of bacteria. This is particularly important when storing meat products. Make sure that food such as raw meat and fish in particular does not come into contact with other food.

By ensuring that the temperature settings are correct and by taking appropriate hygiene measures you can prolong the storage life of your food considerably and avoid food waste.

Fruit and vegetables

Fruit and vegetables can be stored loose in the fruit and vegetable drawers.

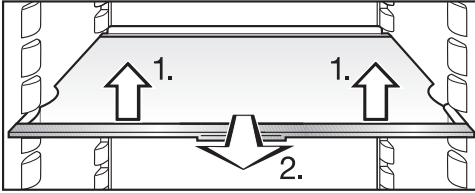
Protein-rich food

Please note that food rich in protein deteriorates faster than other types of food. Shellfish, for example, deteriorates faster than fish, and fish deteriorates faster than meat.

Adjusting the interior fittings

Moving the shelves

The shelves can be adjusted according to the height of the food.



- Raise the shelf, and pull it forwards slightly until the notch at the side is in line with the shelf support. It can then be raised or lowered to the required level.

The raised edge on the protective strip at the back must face upwards to prevent food from touching the back of the appliance and freezing to it.

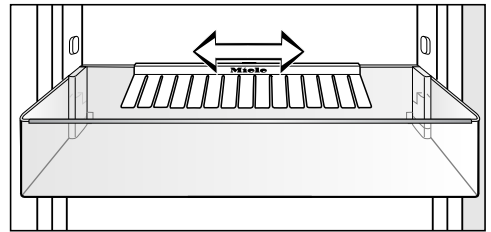
Stoppers prevent the shelves from being dislodged by mistake.

Adjusting the door shelf/bottle shelf

Tip: Only move door shelves/bottle shelves in the appliance door when they are empty.

- Push the door shelf/bottle shelf upwards, then remove it by pulling it forwards.
- Replace the shelf at the required height. Ensure that it is securely pushed back into position.

Adjusting or removing the bottle holder



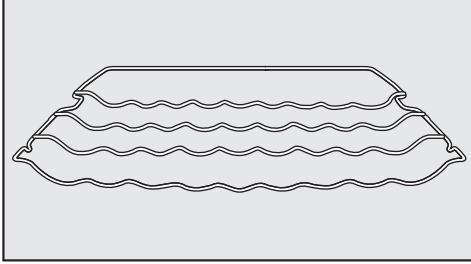
The bottle holder can be moved left or right to create more room for drink cartons.

The bottle holder can be removed completely (e.g. for cleaning):

- Pull the bottle holder upwards to remove it from the rear edge of the bottle shelf.

The bottle holder can be replaced after cleaning.

Adjusting the bottle rack



The bottle rack can be placed at different positions in the appliance.

- Raise the bottle rack slightly at the front, and pull it forwards a little until the notch at the side is in line with the shelf support. It can then be raised or lowered to the required level.


The rear rail must face upwards to prevent bottles from touching the back of the appliance.

Stoppers prevent the bottle rack from being dislodged by mistake.

Removing and replacing the fruit and vegetable drawer

The fruit and vegetable drawer sits on telescopic runners and can be removed for loading and unloading, or cleaning.

- Pull out the drawer as far as it will go, and then lift it up and out.

 Risk of damage as a result of incorrect handling.

After removing the drawer, the telescopic runners are fully extended.

Push the telescopic runners back in.

Replacing the drawer

- Place the drawer on the fully retracted telescopic runners.
- Push the drawer into the appliance until it clicks into position.

Defrosting

Refrigerator section


The refrigerator section defrosts automatically.

Condensate and frost can build up on the back wall of the refrigerator section whilst the compressor is running. You do not need to remove this, as it will defrost and evaporate automatically with the warmth generated by the compressor.

The condensate drains through a channel and drain pipe into an evaporation system at the back of the refrigeration appliance.

Keep the condensate channel and drain hole clean to enable this. Condensate must be able to drain away unhindered at all times.

Do not let water get into the electronic module or the lighting.

 Risk of damage due to moisture ingress.

The steam from a steam cleaner can damage plastic and electrical components.

Do not use a steam cleaner to clean the refrigeration appliance.

Cleaning water must not get into the drain hole.

The data plate located inside the interior cabinet of the refrigeration appliance must not be removed. It contains information which is required in the event of a fault.

Cleaning agents

Cleaning and conditioning agents used inside the appliance must be food safe.

To avoid damaging all the surfaces of your appliance, **do not use:**

- cleaning agents containing soda, ammonia, acids or chlorides
- cleaning agents containing descaling agents
- abrasive cleaning agents, e.g. powder cleaners and cream cleaners
- solvent-based cleaning agents
- stainless steel cleaning agents
- dishwasher cleaner
- oven sprays
- glass cleaning agents
- hard, abrasive sponges and brushes, e.g. pot scourers
- melamine eraser blocks
- sharp metal scrapers

We recommend using a clean sponge, lukewarm water with a little washing-up liquid to clean surfaces of the appliance.

The following pages contain important information on cleaning.

Cleaning and care

Preparing the appliance for cleaning

- Switch the appliance off.

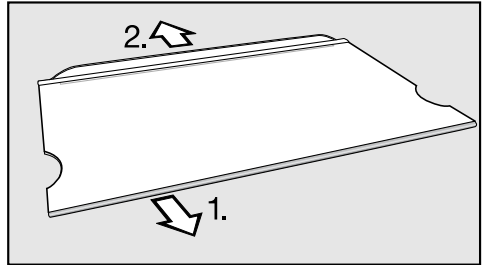
The temperature shown in the display will go out and the cooling system switches off.

- Take any food out of the appliance and store it in a cool place.
- Remove the shelves/bottle shelf from the appliance door.
- Take out all other removable parts for cleaning.

Dismantling an adjustable shelf

Before cleaning the shelf remove the stainless steel trim at the front and the protective strip at the back of the shelf. To do this:

- Place the shelf on a worktop covered with a soft material (e.g. a tea towel).



- Pull the stainless steel trim off the shelf beginning at one side.
- After cleaning the shelf reattach the stainless steel trim and the protective strip.

Cleaning the interior and accessories

The refrigeration appliance should be cleaned regularly (at least once a month).

Remove soiling immediately to prevent it from drying on.


- Clean the **interior** with a clean sponge, lukewarm water and a little washing-up liquid.
- After cleaning, wipe with clean water and dry with a soft cloth.

Remove the stainless steel parts before cleaning the adjustable shelves in a dishwasher.

- Leave the door open to air the appliance for a short while and to prevent odours building up.

The following parts **cannot be cleaned in a dishwasher**:

- the stainless steel trim
 - the protective strips at the back of the adjustable shelves
 - all drawers and the compartment lid (depending on model)
 - the bottle rack
- These accessories should all be hand washed.

 Risk of damage as a result of excessively high dishwasher temperatures.

Parts of the refrigeration appliance may become unusable, e.g. deform, if they are washed in the dishwasher at more than 55 °C.

For dishwasher-safe parts, only use dishwasher programmes with a maximum temperature of 55 °C.

Contact with natural dyes from carrots, tomatoes and ketchup, etc., may discolour the plastic parts in the dishwasher. This discolouration does not affect the stability of the parts.

The following parts **can be cleaned in the dishwasher**:

- the adjustable shelves (with the trim and strips removed)
- bottle holder, butter dish, egg tray (depending on model)
- the shelves and bottle shelf in the door

the butter and cheese compartment

Cleaning and care

- the holder for the charcoal filter (available as an optional accessory)

Cleaning the front of the appliance and the side panels

If soiling is left on for any length of time, it may become impossible to remove. Surfaces may suffer discolouration or damage.

Therefore, it is best to remove soiling from the appliance front and side panels immediately.


All surfaces are susceptible to scratching. Contact with unsuitable cleaning agents can alter or discolour the surfaces.

See the information on “Cleaning agents” at the beginning of this section.

- Clean the surfaces with a clean sponge and a solution of warm water and washing-up liquid. A clean, damp microfibre cloth without cleaning agent can also be used.
- After cleaning, wipe with clean water and dry with a soft cloth.

Stainless steel appliances

The appliance front has a high quality, special finish (CleanSteel) which is resistant to soiling and is very easy to clean.

 **Do not use stainless steel cleaning agent** on CleanSteel surfaces. It will damage them.

Do not use Miele stainless steel conditioning agent on these surfaces. This will cause noticeable smearing.


Cleaning the ventilation gaps

A build-up of dust will increase the energy consumption of the appliance.

- The ventilation gaps should be cleaned on a regular basis with a brush or vacuum cleaner (you could use a Miele vacuum cleaner dusting brush, for example).

Cleaning the compressor and metal grille at the back of the appliance

A build-up of dust will increase the energy consumption of the appliance.

 Risk of damage as a result of incorrect cleaning.

Cables and other components can get broken off, bent or damaged.

Carefully clean the compressor and metal grille.

The compressor and metal grille at the back of the refrigeration appliance (heat exchanger) should be dusted at least once a year.

Cleaning and care

Cleaning the door seal

If the door seal is damaged or has slipped out of its groove, the appliance door may not close properly and cooling performance will be reduced. As a result, condensate will build up in the interior cabinet and this can cause a build-up of ice.

Do not damage the door seal and ensure it does not slip out of its groove.



Risk of damage as a result of incorrect cleaning.

If you treat the door seal with oils or grease, it can become porous.

Do not use any oils or grease on the door seal.

- The door seal should be cleaned regularly with clean water and then wiped dry with a cloth.

After cleaning

- Replace all shelves and accessories in the appliance.
- Reconnect to the mains and switch the appliance back on.
- Switch on the Super cool function for a while so that the appliance can cool down quickly.
- Place food back in the appliance and close the door.

Problem solving guide

Many malfunctions and faults that can occur in daily operation can be easily remedied. Time and money will be saved because a service call will not be needed.

The following guide may help you to find the reason for a malfunction or a fault, and to correct it.

To prevent unnecessary loss of temperature it is advisable not to open the door while waiting for the appliance to be serviced.

Problem	Cause and remedy
<p>The appliance is not getting cold and the interior lighting does not come on when the door is opened.</p>	<p>The appliance has not been switched on.</p> <ul style="list-style-type: none"> ■ Switch the appliance on.
	<p>The mains plug is not inserted in the socket correctly or the plug connector is not inserted into the socket at the back of the appliance correctly.</p> <ul style="list-style-type: none"> ■ Insert the mains plug into the mains socket and the plug connector into the appliance socket correctly and switch on.
	<p>Check whether the mains fuse has tripped. There could be a fault with the appliance, the household electrical wiring or another electrical appliance.</p> <ul style="list-style-type: none"> ■ Contact a qualified electrician or Miele.
<p>The compressor runs continuously.</p>	<p>This is not a fault. To save energy, the compressor runs at a lower speed, but for longer, when less cooling is required.</p>
<p>The compressor is switching on more frequently and for longer periods of time. The temperature in the refrigeration appliance is too low.</p>	<p>The ventilation gaps have been covered or become too dusty.</p> <ul style="list-style-type: none"> ■ Do not block the ventilation gaps. ■ Dust the ventilation gaps regularly.
	<p>The appliance door has been opened too frequently, or a large amount of fresh food has been placed in the appliance.</p> <ul style="list-style-type: none"> ■ Only open the appliance door when necessary and for as short a time as possible. <p>After a while, the temperature will return to normal by itself.</p>
	<p>The appliance door is not properly closed.</p> <ul style="list-style-type: none"> ■ Close the appliance door.

Problem solving guide



Problem	Cause and remedy
	<p>After a while, the temperature will return to normal by itself.</p>
	<p>The ambient room temperature is too high. The higher the ambient temperature, the longer the compressor has to run.</p> <ul style="list-style-type: none"> ■ See “Installation – Location”.
	<p>The temperature setting in the refrigeration appliance is too low.</p> <ul style="list-style-type: none"> ■ Correct the temperature setting.
	<p>The SuperCool function is still switched on.</p> <ul style="list-style-type: none"> ■ You can switch off the SuperCool function earlier to save energy.
<p>The compressor comes on less and less often and for shorter periods of time.</p>	<p>This is not a fault. The temperature is too high.</p> <ul style="list-style-type: none"> ■ Adjust the temperature. ■ Check the temperature again after 24 hours.

Display warnings

Message	Cause and remedy
DEMO lights up in the display, the appliance does not get cold, although the appliance controls are working.	Demo mode is switched on. This allows the appliance to be presented in the showroom without the cooling system being switched on. Do not activate this setting for domestic use. ■ Call Service.
—○ is lit up in the display and the appliance cannot be used.	The safety lock has been activated. ■ Deactivate the lock (see “Selecting further settings - Activating or deactivating the lock”).
“F0 to F9” appears in the display.	There is a fault. ■ Call the Miele Service Department.

Problem solving guide

The interior lighting is not working.

Problem	Cause and remedy
The interior lighting is not working.	<p>The refrigeration appliance has not been switched on.</p> <ul style="list-style-type: none">■ Switch the refrigeration appliance on. <p>To avoid overheating, the lighting switches itself off automatically after approx. 15 minutes if the appliance door is left open. If this is not the case, then there is a fault.</p> <div data-bbox="404 496 1038 783" style="border: 1px solid gray; padding: 5px;"><p> Risk of electric shock due to exposed, live electrical components.</p><p>When removing the lighting cover, there is a risk of coming into contact with live electrical components.</p><p>Do not remove the lighting cover. The LED lighting may only be repaired or replaced by the Miele Customer Service Department.</p></div> <div data-bbox="404 799 1038 1023" style="border: 1px solid gray; padding: 5px;"><p> Risk of injury from LED lighting.</p><p>This lighting corresponds to risk group RG 2. If the cover is defective, there is a risk of eye injury.</p><p>If the lighting cover is defective, do not look from a close range directly into the lighting with optical instruments (e.g. magnifying glass or similar).</p></div> <ul style="list-style-type: none">■ Call the Miele Customer Service Department.

Other problems

Problem	Cause and remedy
A buzzer is sounding.	The door alarm has been activated. ■ Close the appliance door. The buzzer will stop.
An LED indicator light is flashing at the back of the refrigeration appliance at the bottom near the compressor (depending on model). The electronic unit for the compressor is equipped with an operation and fault diagnosis LED indicator light.	The indicator light flashes several times every 5 seconds. A fault has occurred. ■ Call the Miele Customer Service Department.
	The indicator light flashes regularly every 15 seconds. Not a fault. This flashing is normal.
The external walls of the appliance feel warm.	This is not a fault. The heat created by the evaporator is used to prevent condensation.
The door seal is damaged or needs to be replaced.	No tools are required to change the door seal. ■ Change the door seal. A replacement is available from Miele or from specialist retailers.
The floor of the refrigerator section is wet.	The condensate drain hole is blocked. ■ Clean the condensate channel and drain hole.

Noises

Normal noises	What causes them
Brrrrr ...	A humming noise is made by the motor (compressor). This noise can get louder for brief periods when the motor switches on.
Blubb, blubb ...	A gurgling noise can be heard when coolant is circulating through the pipes.
Click ...	Clicking sounds are made when the thermostat switches the motor on and off.
Sssrrrrr ...	You can sometimes just hear the sound of the fan inside the appliance.
Crack ...	A cracking sound can be heard when materials expand inside the appliance.
Remember that the noise of the compressor and the coolant circulating in the system is unavoidable.	

Noises	Cause and remedy
Rattling, vibrating	The refrigeration appliance is uneven. Realign the appliance using a spirit level by raising or lowering the adjustable feet underneath the refrigeration appliance.
	The refrigeration appliance is touching another appliance or piece of furniture. Move it away.
	Drawers, baskets or shelves are jiggling or are stuck. Check all removable items and refit them correctly.
	Bottles or containers are touching. Separate them.

Contact in the event of a fault

In the event of any faults which you cannot remedy yourself, please contact your Miele dealer or the Miele Customer Service Department.

You can book a Miele Customer Service Department call-out online at www.miele.com/service.

Contact information for the Miele Customer Service Department can be found at the end of this document.

Please quote the model identifier and serial number of your appliance (Fabr./SN/Nr.) when contacting the Miele Customer Service Department. This information can be found on the data plate.


Please note that telephone calls may be monitored and recorded for training purposes and that a call-out charge will be applied to service visits where the problem could have been resolved as described in this booklet.

The data plate can be found inside the appliance.

EPREL database

From 1 March 2021, information on energy labelling and ecodesign requirements will be available in the European Product Database (EPREL). You can find the product database at the following link <https://eprel.ec.europa.eu/>. You will be asked to enter the model identifier.

The model identifier can be found on the data plate.



XXXXXX
Nr. XX/XXXXXXXXXX

WEINTEMPERSCHRANK-INTERESCHICHEL
 MULTITEMPERATURE WINE STORAGE CABINET/UNDERA/WORKTOP
 ARMOIRE DE MISE EN TEM.P DES VINS/MOD. ENCASTRABLE SOUS PLAN
 ARMARIO PLACONCIONAMTO. VINGAMODER.POTRBAJO ENMERA
 БИРНИКЪТЕМПЕРАТУРИ/УИ/УД

Klasse/Class Classe/Clase SN-ST	Ap-Type/AP-Type AP-Type/AP-Type	Entriebkraft/Gross Capacity Volume Brui/Capacidad Bruta XXXX l	Gefrieremessen/Freezing Capacity Pouvoir de Congel./Capac.Congeladora
---------------------------------------	------------------------------------	--	--

Nutzinhalt Net Capacity Volume U e Capac. Util	Ges Tot To	/K /G /R /F /R /C	/WEIN /KALT /WINE /CHILL /WINE /CHILL	R600a: XXg
---	------------------	-------------------------	---	-------------------


Warranty

The appliance warranty is valid for 2 years from date of purchase. In the UK, you must activate your cover by calling 0330 160 6640 or registering online at www.miele.co.uk.

For more information on country-specific warranty terms and conditions, please contact Miele Customer Service.


Installation

Installation

 Fire risk and risk of damage from appliances which give off heat.

Appliances which give off heat can catch fire and set fire to the refrigeration appliance.


Do not place appliances which give off heat, such as mini-ovens, double burner hobs or toasters on the refrigeration appliance.

 Fire risk and danger of damage from open flames.

Open flames can set fire to the refrigeration appliance.

Keep open flames (e.g. a candle) away from the refrigeration appliance.

Side-by-side installation

 Risk of damage due to condensation on external appliance panels.

In environments with high humidity, condensation can build up on external appliance panels, which can cause corrosion.

Do not place different refrigeration appliance models directly next to or on top of one other.

However your refrigeration appliance can be installed “side-by-side” because it is equipped with built-in heating units in the side panels.

Please contact your dealer for specific information about which combinations will work with your appliance.

Location

This appliance should be installed in a dry, well-ventilated room.

When deciding where to install your refrigeration appliance please bear in mind that it will use more energy if installed near to a heater, a cooker or other appliance that gives off heat. Direct sunlight should also be avoided. The higher the room temperature, the longer the compressor runs and the higher the energy consumption is.

When installing the appliance, please note:

- The socket must be easily accessible in an emergency, not concealed behind the appliance.
- The plug and cable must not touch the rear of the appliance as they could be damaged by vibrations from the appliance.
- Do not plug in other appliances behind this appliance.

 Risk of damage due to corrosion.

In environments with high humidity, condensation can build up on external refrigeration appliance panels. This condensate can cause corrosion on external appliance panels.

Install the refrigeration appliance in a dry and/or air-conditioned room with sufficient ventilation.

After installation please make sure that the appliance door closes properly, the specified ventilation gaps are adhered to and the refrigeration appliance is installed in accordance with these installation instructions.

Climate range

This refrigeration appliance is designed for use within specific ambient temperatures (climate range). Do not use in ambient temperatures for which it is not designed. The climate range is stated on the data plate in the interior cabinet of the refrigeration appliance.

Climate range	Ambient temperature
SN	+10 to +32 °C
N	+16 to +32 °C
ST	+16 to +38 °C
T	+16 to +43 °C

A lower ambient temperature leads to the compressor switching off for longer periods. This can cause the internal temperature in the refrigeration appliance to rise with the risk of food deteriorating and going off.

Ventilation



Risk of fire and damage due to insufficient ventilation.

If the refrigeration appliance is not ventilated sufficiently, the compressor will run more frequently and for longer periods. This will result in increased energy consumption and a higher operating temperature for the compressor. This may, in turn, cause damage to the compressor.

Please ensure that there is adequate ventilation around the refrigeration appliance.

It is essential to observe the required ventilation gaps.

The ventilation gaps must not be covered or blocked in any way.

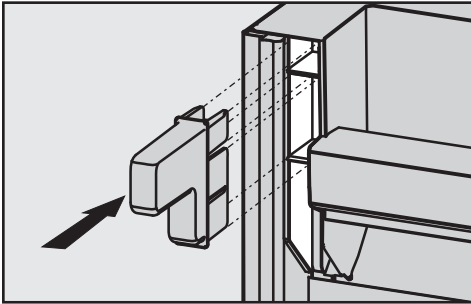
They must also be regularly dusted.

Air at the back of the refrigeration appliance gets warm.

Installation


Fitting wall spacers supplied

The wall spacers supplied must be used in order to achieve declared energy consumption values and to prevent the build-up of condensation at high ambient temperatures. Appliance depth is increased by approx. 35 mm with the wall spacers fitted. If the wall spacers are not used the functionality of the appliance is not affected. Energy consumption is only slightly increased with less distance between the appliance and the wall.




- Fit the wall spacers onto the back of the appliance on the top left and right.

Installing the refrigeration appliance

 Danger of injury and damage due to the refrigeration appliance tipping over.

There is an increased danger of injury and damage if the refrigeration appliance is installed by a single person.

Two people are required for installing the refrigeration appliance.

 Risk of damaging the floor.

Moving the refrigeration appliance can cause damage to the floor.

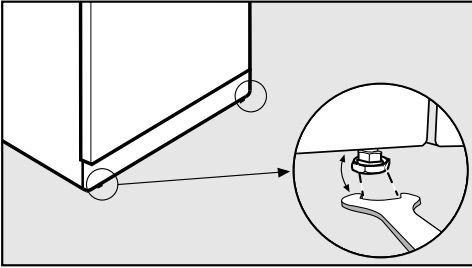
Move the refrigeration appliance carefully on floors that are sensitive to scratching.

For easier installation, there are transport handles on the back at the top and transport wheels underneath the refrigeration appliance.

Tip: The refrigeration appliance must be empty when it is installed.


- Prepare the refrigeration appliance for installation as close as possible to its intended installation location.
- Release the mains cable from the back of the appliance.
- Remove the cable clip from the back of the appliance first.
- Move the refrigeration appliance carefully to its intended installation location.
- Position the refrigeration appliance with the wall spacers (if used) or the back close to the wall.

Aligning the appliance



- To align the appliance, adjust the front feet using the spanner supplied

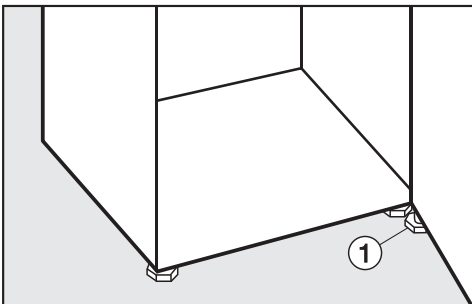
Levelling the appliance door

 Risk of damage and injury caused by the appliance door falling out or the refrigeration appliance tipping over.

If the additional adjustable foot ① on the hinge plate at the bottom is not resting firmly on the floor, the appliance door can fall out or the refrigeration appliance can tip over.

Use the open spanner supplied with the appliance to unscrew the adjustable foot until it is resting on the floor.

Then unscrew the adjustable foot by a further quarter turn.



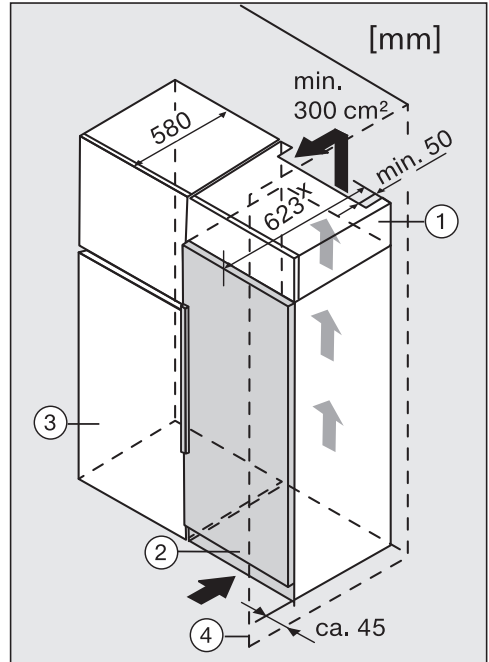
Installation

Building the appliance into a kitchen run

⚠ If the ventilation gaps given are not observed, the compressor will run more frequently and for longer periods.

This will result in increased energy consumption and a higher operating temperature for the compressor. This may, in turn, cause damage to the compressor.

It is essential to observe the ventilation gaps given.



- ① Top box
- ② Appliance
- ③ Housing unit
- ④ Wall

x: the appliance depth is increased by approx. 35 mm for appliances with wall spacers fitted.

The appliance can be installed in a run of kitchen units (standard cabinets, max. depth 580 mm) or next to a kitchen cabinet. The appliance front will stand proud of the adjacent furniture by 65 mm (or approx. 100 mm if wall spacers have been fitted).

This is to ensure that the door can open and close without hindrance. To align the refrigeration appliance with adjoining furniture a suitable top box ① can be installed above it.

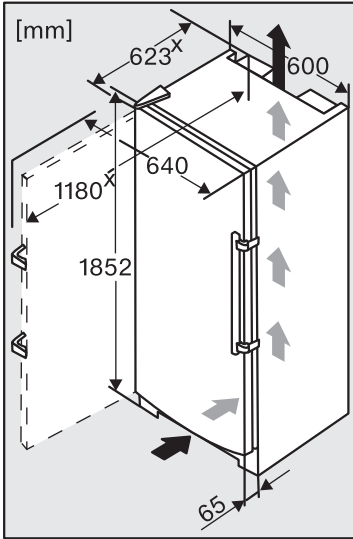
When installed next to a wall ④ a distance of approx. 45 mm must be maintained on the hinge side between the wall ④ and the appliance ②.

The larger the ventilation gaps, the more economically the compressor will work.

- A ventilation gap of at least 50 mm depth must be provided at the back of the appliance behind the whole width of the top box for air to circulate.
- The cross-section of the air inlet and outlet under the ceiling must be at least 300 cm² to ensure that air can circulate without obstruction.

Installation

Installation dimensions

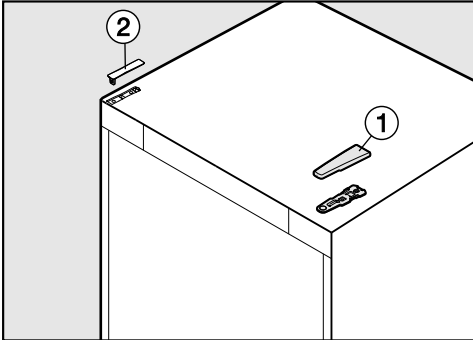


x: dimensions without wall spacers. Appliance depth is increased by 35 mm with the wall spacers supplied fitted.

Changing the door hinging

Removing the top covers

- Close the appliance door.



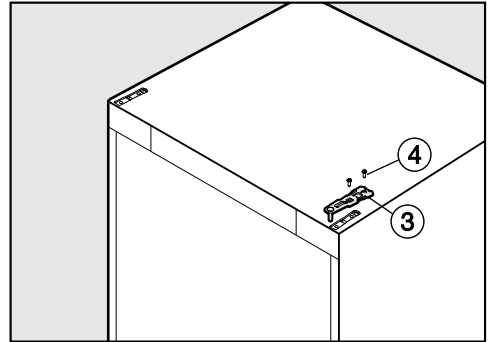
- Remove cover ① by sliding it forwards from the back and then lifting it off.
- Remove cover ② by pulling it upwards.

⚠ Danger of injury when removing the appliance door.

The appliance door is not secure once the hinge plate has been removed.

The door must be held by a second person.

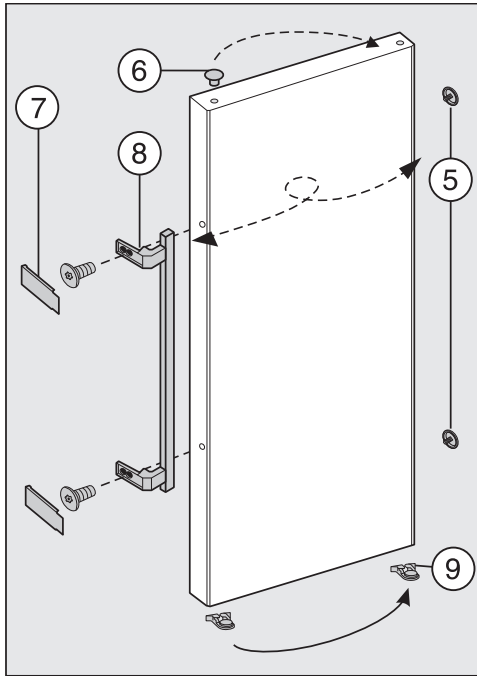
Removing the door



- Loosen screws ④ in hinge plate ③ and pull it upwards and off.
- Carefully lift appliance door off and place carefully to one side.

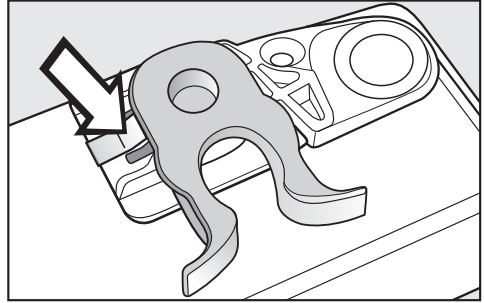
Installation

Changing the handle over

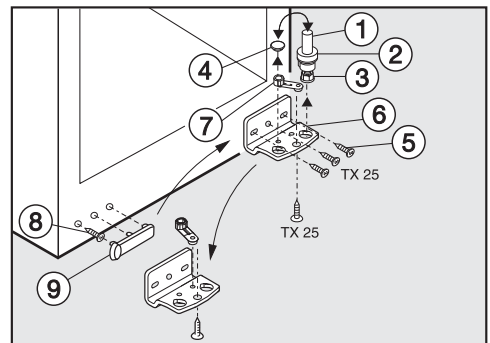


- Take stoppers ⑤ out of the door bearings in the appliance door.
- Remove stopper ⑥ from the top of the door and refit it on the opposite side of the door.
- Remove covers ⑦ from handle ⑧, then unscrew the handle and refit all these parts on the opposite side of the door.
- Take care when refitting covers ⑦ that they click into position correctly.
- Refit stoppers ⑤ on the opposite side of the door.

- To change over the spring clamp ⑨ press down on the catch and pull the spring clamp forwards:

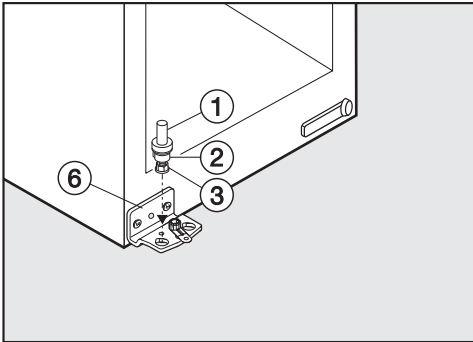


Changing the lower hinge plate over



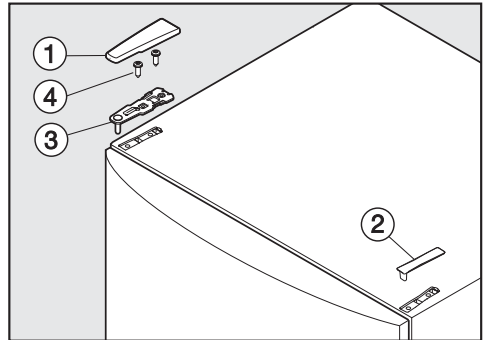
- Pull hinge pin ① complete with washer ② and adjusting foot ③ upwards to remove.
- Remove stopper ④.
- Undo the screws ⑤ and remove the hinge plate ⑥.
- Loosen the screw for the door closing aid ⑦ in hinge plate ⑥. Refit the door closing aid ⑦ in the hole on the other side of the hinge plate and then tighten the screw up again.
- Insert stopper ④ into the other hole.
- Remove cover ⑨.

- Take screw ⑧ out and screw it into the outside hole on the opposite side.
- Turn cover ⑨ through 180° and refit it on the opposite side.



- Screw hinge plate ⑥ securely into position on the new hinge side.
- Refit the entire hinge pin ①, including the washer ② and adjustable foot ③. Important! The tab on the hinge pin must still face downwards.
- Place door ① onto the hinge pin from above.
- Close the appliance door.

Inserting the upper hinge plate



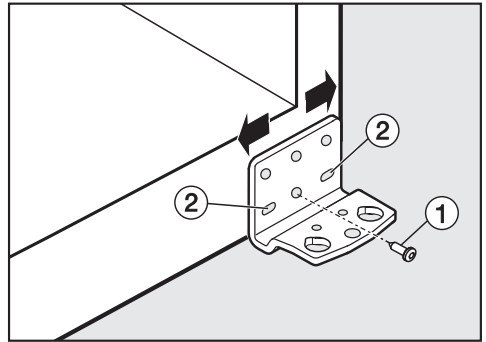
- Fit hinge plate ③ on the opposite side and secure it with screws ④. If necessary drill pilot holes for the screws or use a battery operated screwdriver.
- Replace covers ① and ② on the opposite side.
- Align the door with the appliance housing using the long slots in the lower hinge plate. Then tighten the screws.

Aligning the appliance door

The appliance door can be aligned with the appliance housing after it has been fitted.

In the following illustration, the appliance door is not shown in the closed position to make it easier to see what you have to do.

To align the appliance door, use the outer slots in the lower hinge plate:




- Remove the middle screw ① from the hinge plate.
- Slightly loosen both outer screws ②.
- Align the appliance door by sliding the hinge plate to the left or right.
- Then tighten the screws ② again. The screw ① does not need to be refitted.

Electrical connection

The appliance is supplied with a mains cable and moulded plug ready for connection to an AC single-phase 220–240 V 50 Hz supply.

The fuse rating must be at least 10 A.

This appliance must be connected to a suitable switched socket. The electrical installation must be in compliance with current local and national safety regulations, (e.g. VDE 0100 in Germany / BS 7671 in the UK). We recommend the use of a suitable RCD .

The socket must not be concealed behind the appliance and must be easily accessible so that the appliance can be quickly disconnected from the electrical supply in case of an emergency.

If the socket is no longer accessible after installation, an additional means of disconnection must be provided for all poles. Suitable means of disconnection include switches with an all-pole contact gap of at least 3 mm. These include miniature circuit breakers, fuses and contactors (EN 60335).

The mains plug and mains connection cable must not come into contact with the back of the appliance as vibrations can cause damage to these components. This could result in a short circuit.

Do not plug in other appliances behind this appliance.

Do not connect the appliance to the mains electricity supply by an extension lead. Extension leads do not guarantee the required safety of the appliance (e.g. danger of overheating).

Do not connect the appliance to a stand-alone inverter such as those used with an autonomous energy source e.g. **solar power**.

When the appliance is switched on, power surges could result in a safety switch-off. This could damage the electronic module. The appliance must not be used with so-called **energy saving devices** either. These reduce the amount of energy supplied to the appliance, causing it to overheat.

If the mains cable needs to be replaced, this must be performed by a qualified electrician.

United Kingdom

Miele Co. Ltd., Fairacres, Marcham Road, Abingdon, Oxon, OX14 1TW
Tel: 0330 160 6600, Internet: www.miele.co.uk/service, E-mail: info@miele.co.uk

Australia

Miele Australia Pty. Ltd.
ACN 005 635 398
ABN 96 005 635 398
1 Gilbert Park Drive
Knoxfield, VIC 3180
Tel: 1300 464 353
Internet: www.miele.com.au

China Mainland

Miele Electrical Appliances Co., Ltd.
1-3 Floor, No. 82 Shi Men Yi Road
Jing' an District
200040 Shanghai, PRC
Tel: +86 21 6157 3500
Fax: +86 21 6157 3511
E-mail: info@miele.cn
Internet: www.miele.cn

Hong Kong, China

Miele (Hong Kong) Ltd.
41/F - 4101, Manhattan Place
23 Wang Tai Road
Kowloon Bay, Hong Kong
Tel: (852) 2610 1025
Fax: (852) 3579 1404
Email:
customerservices@miele.com.hk
Website: www.miele.hk

India

Miele India Pvt. Ltd.
1st Floor, Copia Corporate Suites,
Commercial Plot 9,
Mathura Road, Jasola,
New Delhi - 110025
E-mail: customercare@miele.in
Website: www.miele.in

Ireland

Miele Ireland Ltd.
2024 Bianconi Avenue
Citywest Business Campus
Dublin 24
Tel: (01) 461 07 10
Fax: (01) 461 07 97
E-Mail: info@miele.ie
Internet: www.miele.ie

Malaysia

Miele Sdn Bhd
Suite 12-2, Level 12
Menara Sapura Kencana
Petroleum
Solaris Dutamas No. 1
Jalan Dutamas 1
50480 Kuala Lumpur, Malaysia
Phone: +603-6209-0288
Fax: +603-6205-3768

New Zealand

Miele New Zealand Limited
IRD 98 463 631
8 College Hill
Freemans Bay, Auckland 1011
New Zealand
Tel: 0800 464 353
Internet: www.miele.co.nz

Singapore

Miele Pte. Ltd.
29 Media Circle
#11-04 ALICE@Mediapolis
Singapore 138565
sTel: +65 6735 1191
Fax: +65 6735 1161
E-Mail: info@miele.com.sg
Internet: www.miele.sg

South Africa

Miele (Pty) Ltd.
63 Peter Place
Bryanston 2194
P.O. Box 69434
Bryanston 2021
Tel: (011) 875 9000
Fax: (011) 875 9035
E-mail: info@miele.co.za
Internet: www.miele.co.za

Thailand

Miele Appliances Ltd.
BHIRAJ TOWER at EmQuartier
43rd Floor Unit 4301-4303
689 Sukhumvit Road
North Klongton Sub-District
Vadhana District
Bangkok 10110, Thailand

United Arab Emirates

Miele Appliances Ltd.
Showroom 1
Eiffel 1 Building
Sheikh Zayed Road, Umm Al Sheif
P.O. Box 114782 - Dubai
Tel. +971 4 3044 999
Fax. +971 4 3418 852
800-MIELE (64353)
E-Mail: info@miele.ae
Website: www.miele.ae

Manufacturer: Miele & Cie. KG, Carl-Miele-Straße 29, 33332 Gütersloh, Germany

K 28202 D ws, K 28202 D edt/cs

en-GB

M.-Nr. 10 538 950 / 05