

Enclosed Drawers for Tables with Channel Frame

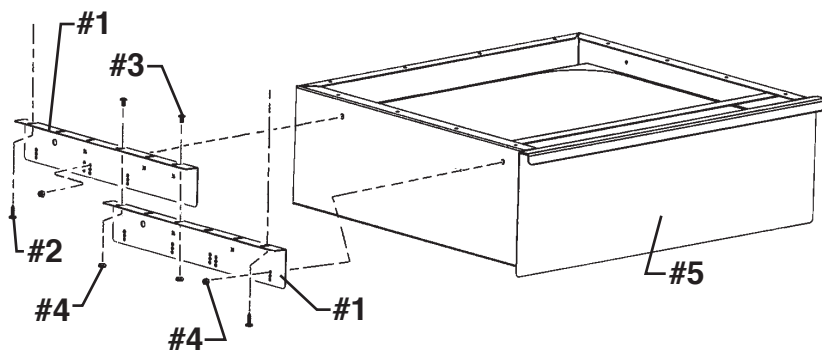
Drawers #501572, 502943, 502946, 502947, 502971 and 502972

ASSEMBLY INSTRUCTIONS

CAUTION

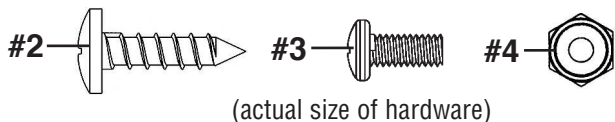
INSPECT CONTENTS IMMEDIATELY AND FILE CLAIM WITH DELIVERING CARRIER FOR ANY DAMAGE.
SAVE YOUR BOX AND ALL PACKING MATERIALS.
YOU ARE RESPONSIBLE FOR DAMAGE TO YOUR UNIT IF RETURNED IMPROPERLY PACKED.

Parts List



#	qty	description	part #
#1	4	Drawer Mounting Bracket Angles	373770
#2	4	Drive Screw, #12 x 3/4"	313630*
#3	8	Machine Screw, #8 x 3/8"	373748
#4	8	Lock Nut, #8	313196
#5	1	Drawer Assembly	varies per order

* For 20" x 20" bowls: These screws are premounted to the table channel framing (underneath tabletop), and will be used to mount drawer angles.
For 15" x 20" bowls: Screws can be found in the hardware package provided with drawer.

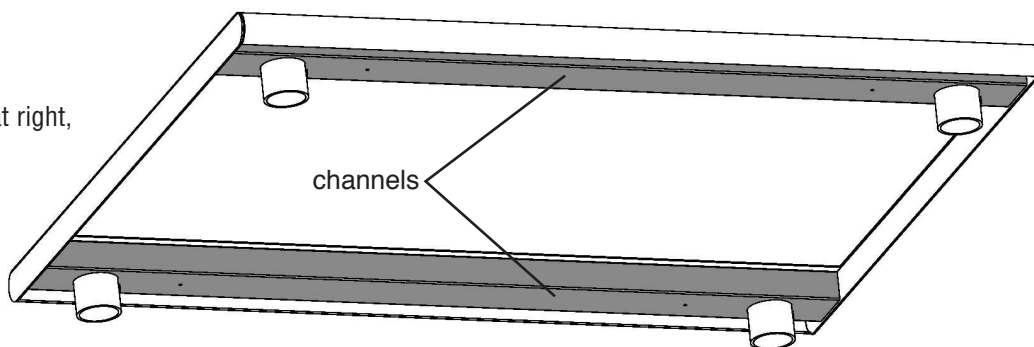


Tools needed:

- 11/32" or 9mm socket or wrench
- Phillips screwdriver
- Tape measure

How to determine if you have a "channel frame" table:

"Channels," indicated in illustration at right, run left-to-right underneath tabletop.



If your table framing does not resemble the framing above,
turn to page 5 for "Drawers for Tables with Angle Frames."

(continued on Page 2)

EG9834 Revised 10/12

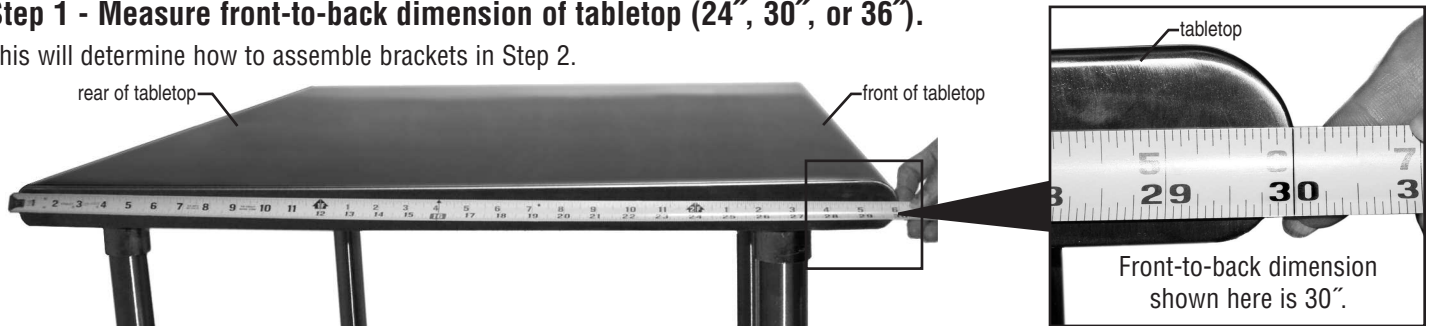
Enclosed Drawers for Tables with Channel Frame

Drawers #501572, 502943, 502946, 502947, 502971 and 502972

ASSEMBLY INSTRUCTIONS

Step 1 - Measure front-to-back dimension of tabletop (24", 30", or 36").

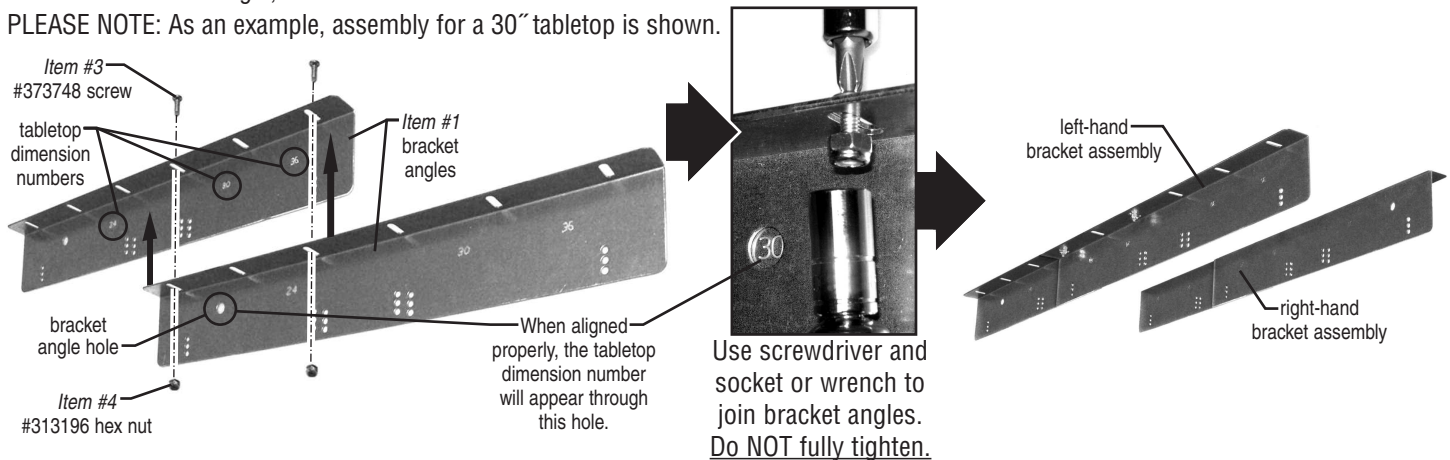
This will determine how to assemble brackets in Step 2.



Step 2 - Assemble brackets, based on front-to-back dimension of tabletop (24", 30", or 36").

Each bracket assembly consists of two bracket angles. Align hole in the first bracket angle with applicable tabletop dimension number in the second bracket angle, and assemble as shown.

PLEASE NOTE: As an example, assembly for a 30" tabletop is shown.



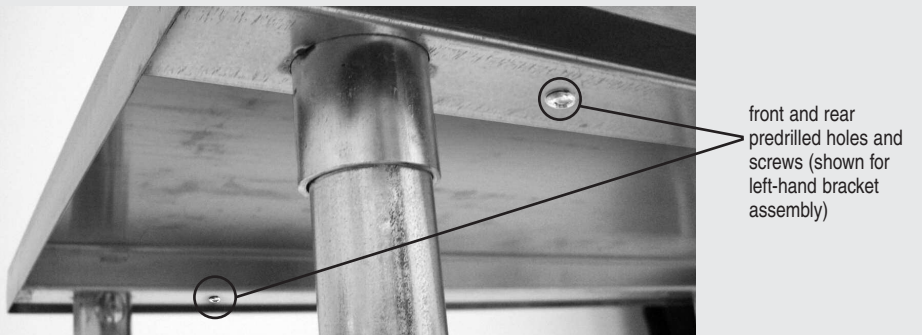
Before continuing, please read the following about tabletop channels (located underneath tabletop):

For 20" x 20" drawers

Tables with channels feature predrilled holes with screws (see photo at right) for bracket assemblies. Take the screws out and set aside.

For 15" x 20" drawers:

Tables with channels require holes to be drilled, using a 1/8" drill bit.



(continued on Page 3)

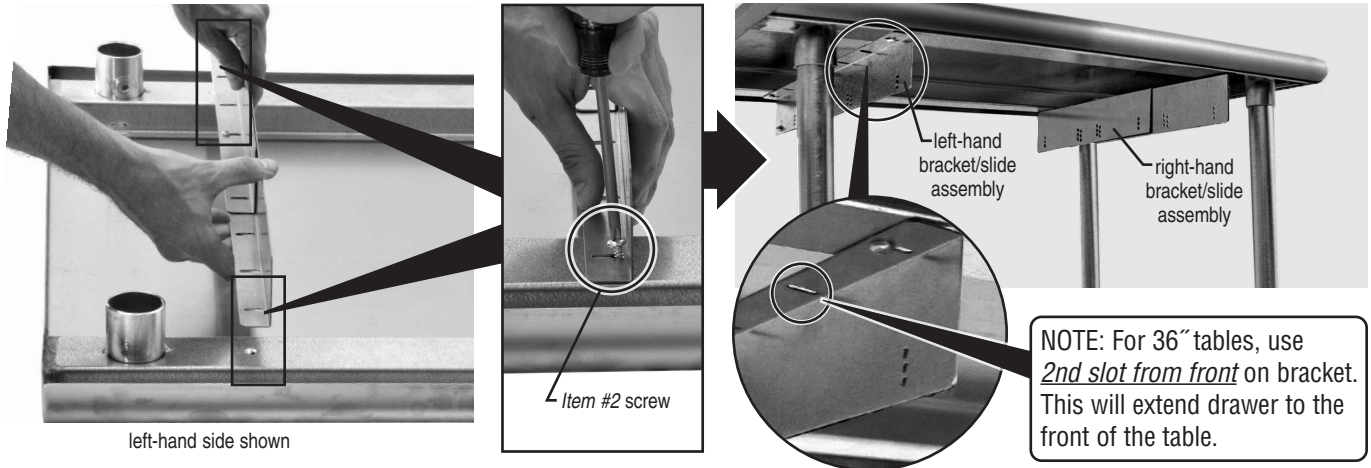
Enclosed Drawers for Tables with Channel Frame

Drawers #501572, 502943, 502946, 502947, 502971 and 502972

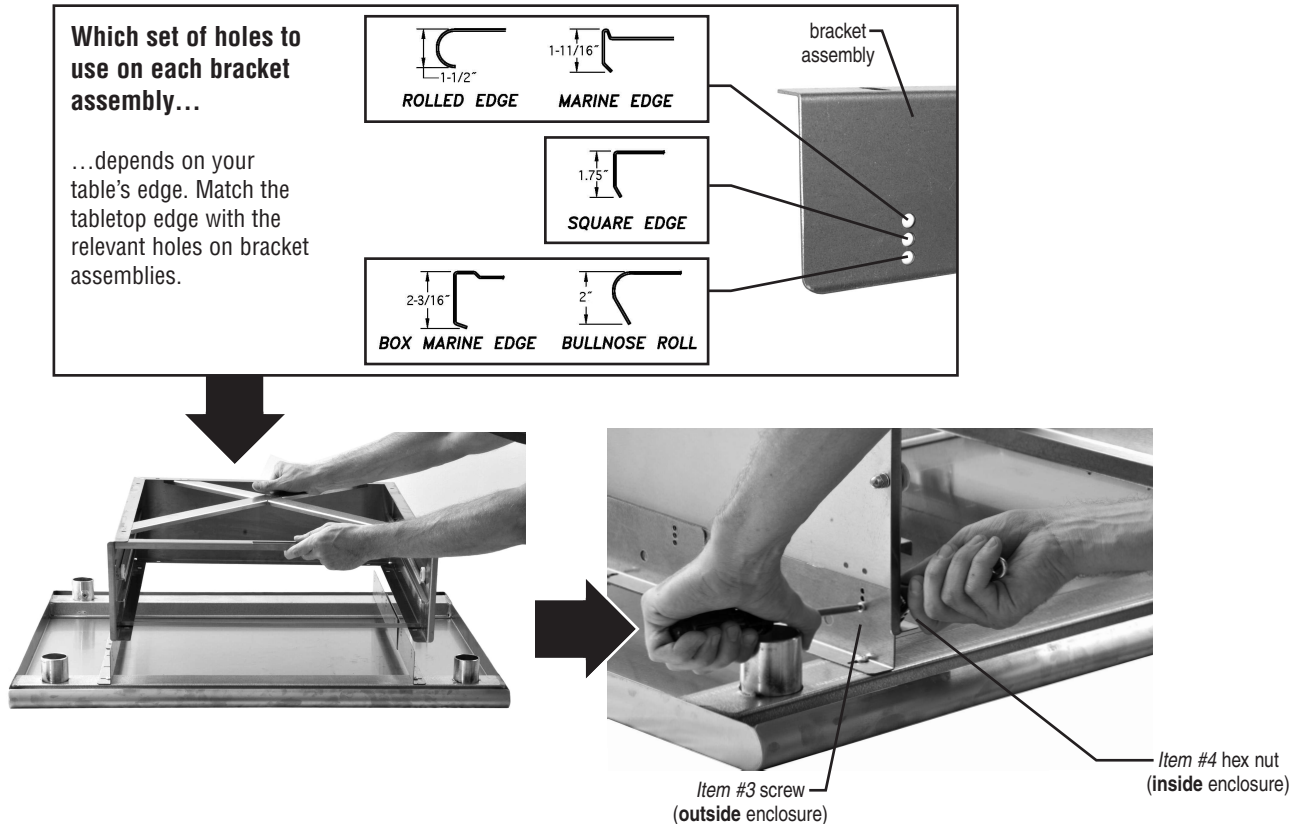
ASSEMBLY INSTRUCTIONS

Step 3 - Attach bracket assemblies (created in Step 2) to table channels, using screwdriver.

PLEASE NOTE: Do NOT tighten screws.



Step 4 - Attach drawer enclosure to bracket assemblies.



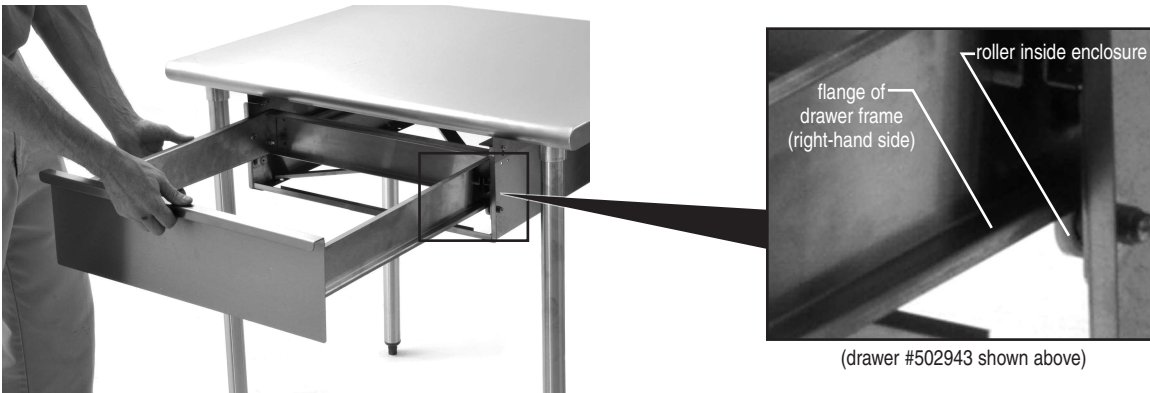
(continued on Page 4)

Enclosed Drawers for Tables with Channel Frame

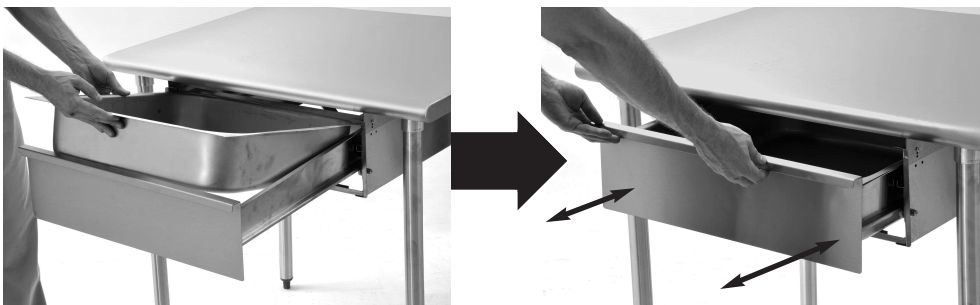
Drawers #501572, 502943, 502946, 502947, 502971 and 502972

ASSEMBLY INSTRUCTIONS

Step 5 - Assemble drawer to drawer enclosure.



Carefully align drawer frame with enclosure (mounted to table), resting left- and right-side flanges of frame onto rollers inside enclosure.



Drop drawer bowl inside drawer frame.

Drawer should operate smoothly after opening and closing several times. If not, check alignment of bracket angles.

Step 6 - Close drawer and secure all hardware.

Assembly is complete.

(End)

PLEASE NOTE:

To mount drawers onto custom equipment with angle frame construction, one of the following kits is required:

- Kit #605499 for galvanized frame, or
- Kit #609700 for stainless steel frame

Enclosed Drawers for Tables with Angle Frame

Drawers #501572, 502943, 502946, 502947, 502971 and 502972

ASSEMBLY INSTRUCTIONS

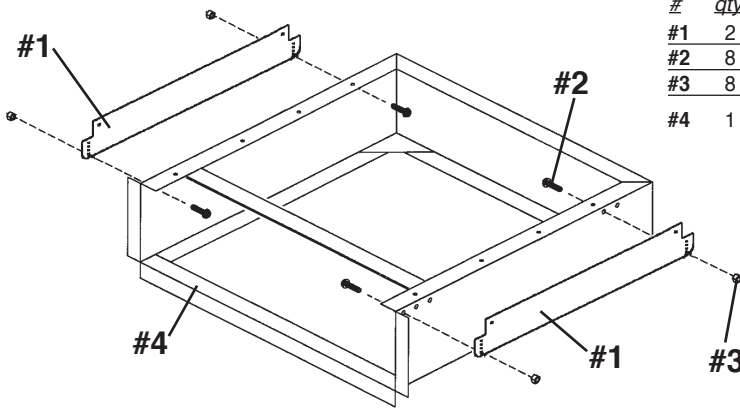
CAUTION

INSPECT CONTENTS IMMEDIATELY AND FILE CLAIM WITH DELIVERING CARRIER FOR ANY DAMAGE.

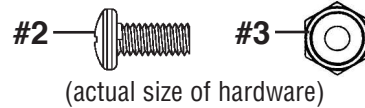
SAVE YOUR BOX AND ALL PACKING MATERIALS.

YOU ARE RESPONSIBLE FOR DAMAGE TO YOUR UNIT IF RETURNED IMPROPERLY PACKED.

Parts List



#	qty	description	for galvanized	for stainless
			frame	steel frame
			part #	part #
#1	2	Drawer Mounting Bracket	373779	373780
#2	8	#8 x 3/8" Machine Screw	373748	377888
#3	8	#8 Lock Nut	313196	375035
#4	1	Drawer Enclosure (pan not shown)	* varies per order *	

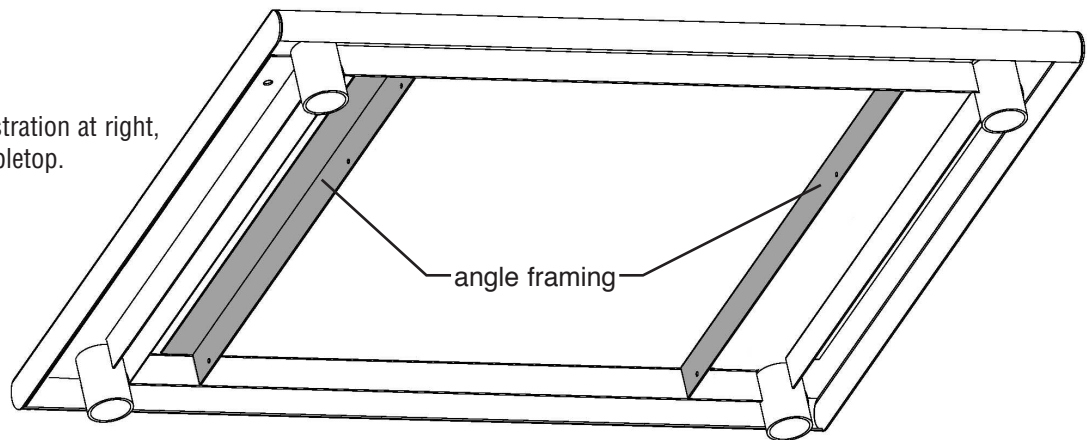


Tools needed:

- 11/32" or 9mm socket or wrench
- Phillips screwdriver

How to determine if you have an "angle frame" table:

"Angle framing," indicated in illustration at right, runs front-to-back underneath tabletop.



If your table framing does not resemble the framing above, see channel frames on front page.

(continued on Page 6)

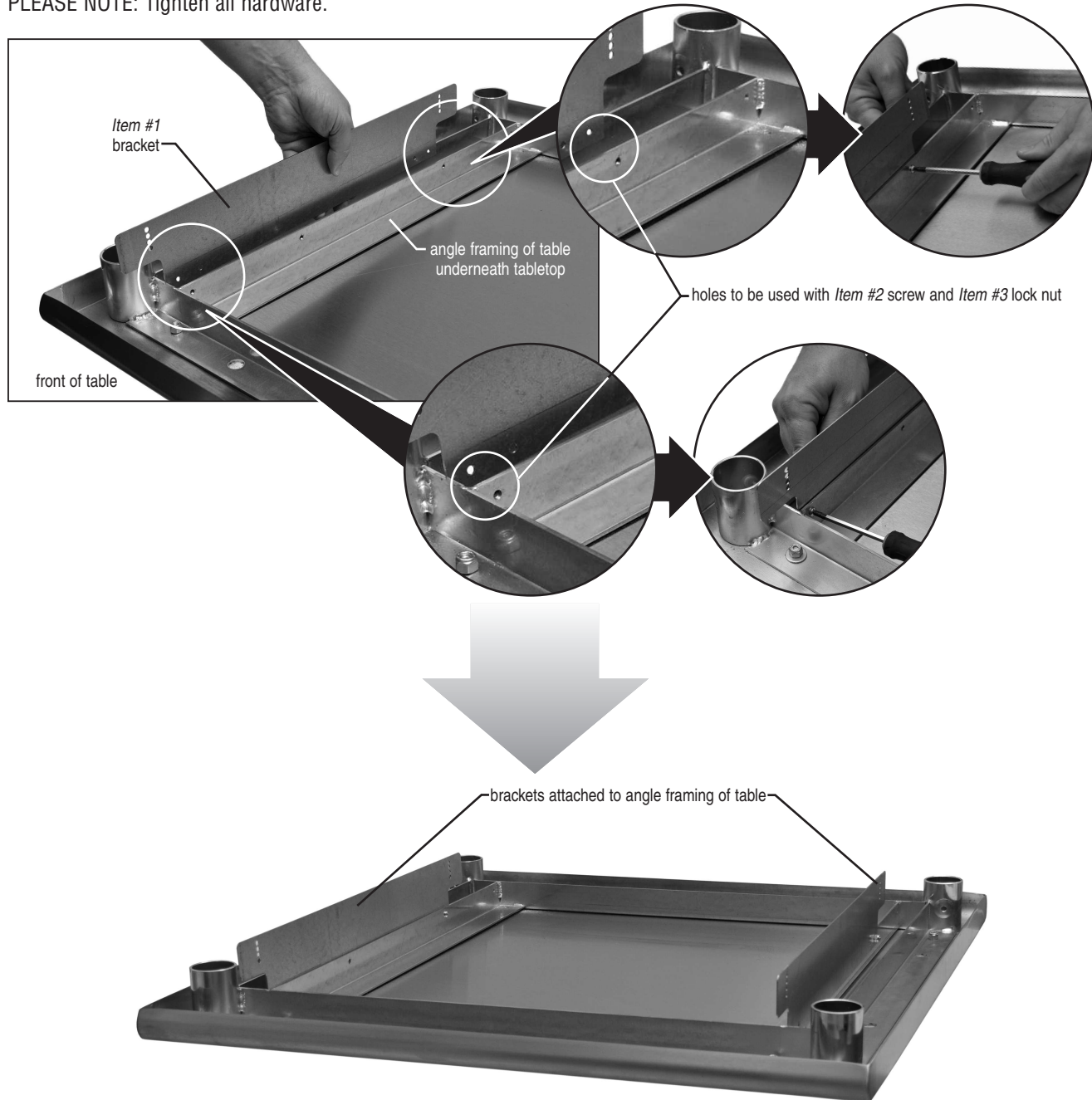
Enclosed Drawers for Tables with Angle Frame

Drawers #501572, 502943, 502946, 502947, 502971 and 502972

ASSEMBLY INSTRUCTIONS

Step 1 - Attach brackets to angle framing of table.

PLEASE NOTE: Tighten all hardware.



(continued on Page 7)

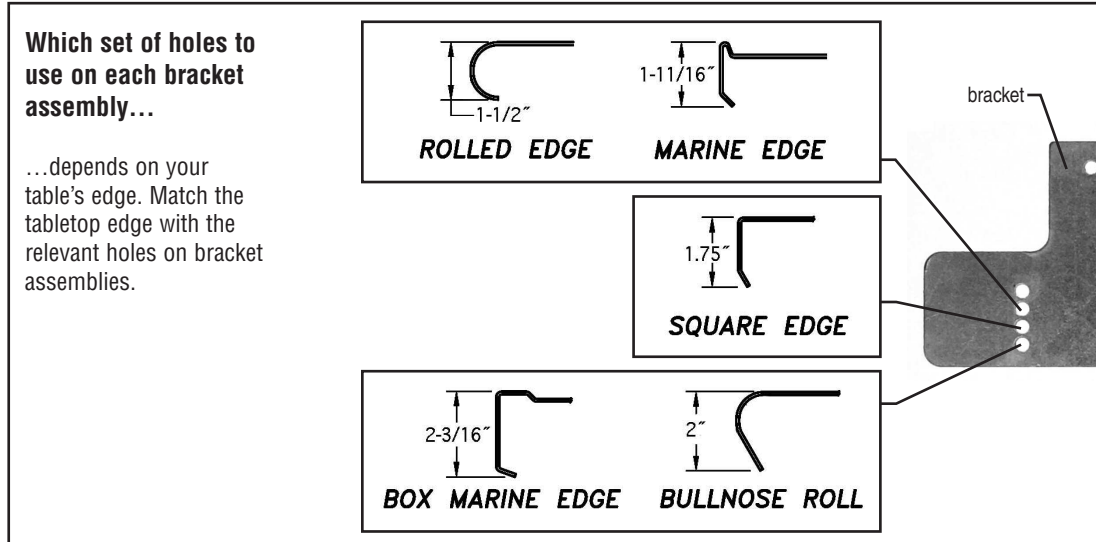
Enclosed Drawers for Tables with Angle Frame

Drawers #501572, 502943, 502946, 502947, 502971 and 502972

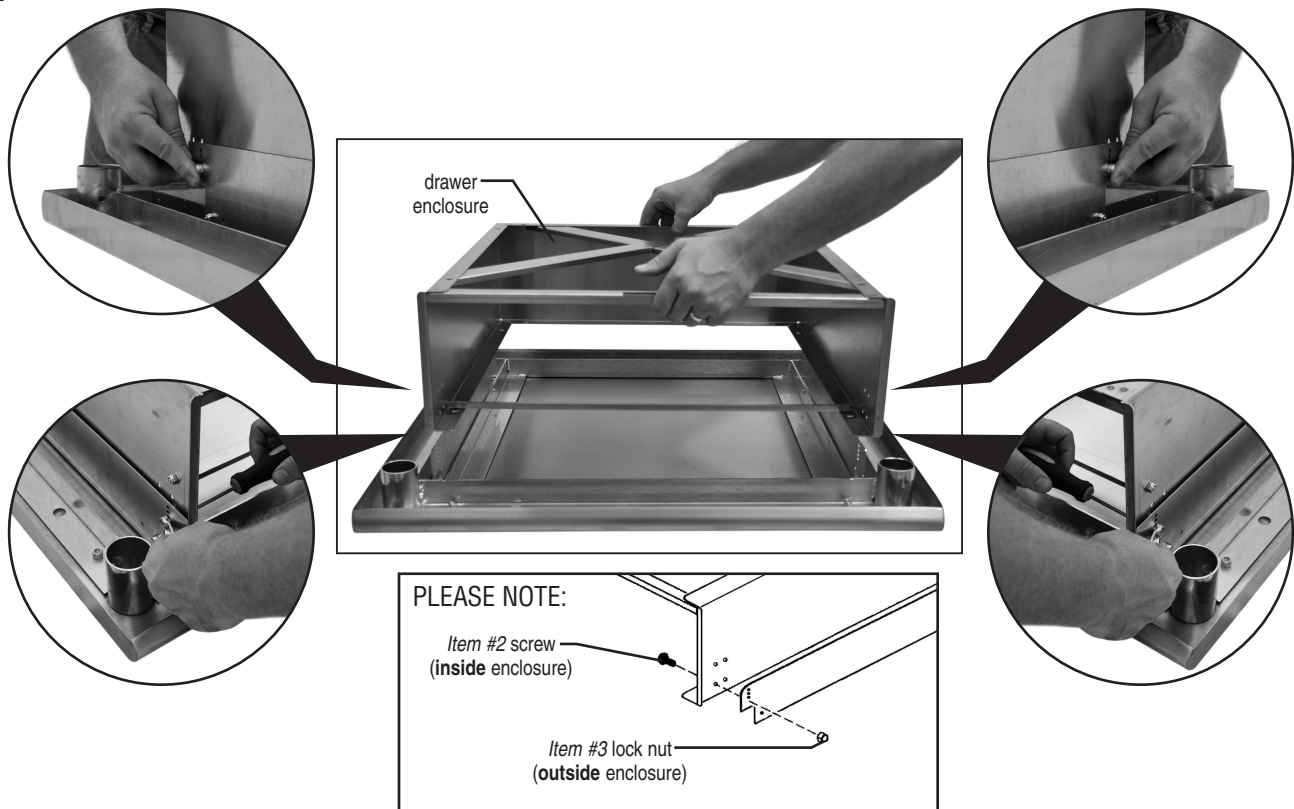
ASSEMBLY INSTRUCTIONS

Step 2 - Determine which set of holes to use for mounting drawer enclosure.

PLEASE NOTE: Bracket shown right-side up.



Step 3 - Mount drawer enclosure to brackets.



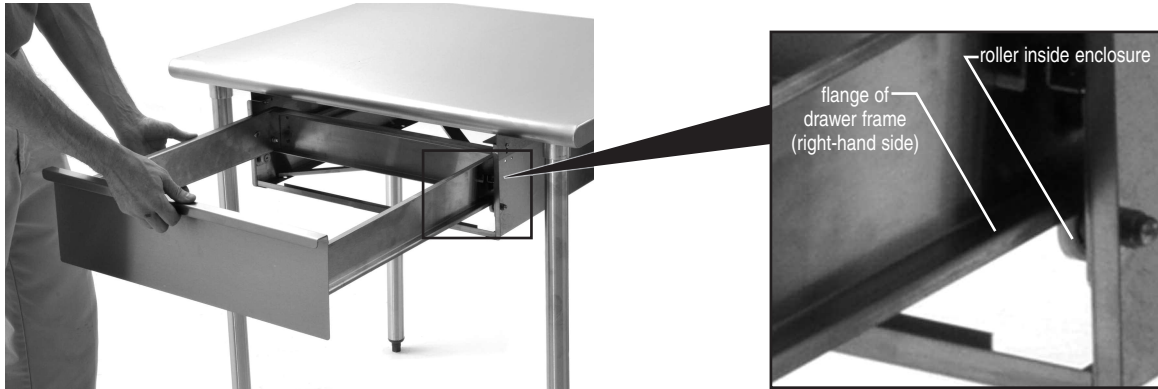
(continued on back page)

Enclosed Drawers for Tables with Angle Frame

Drawers #501572, 502943, 502946, 502947, 502971 and 502972

ASSEMBLY INSTRUCTIONS

Step 5 - Assemble drawer to drawer enclosure.



Carefully align drawer frame with enclosure (mounted to table), resting left- and right-side flanges of frame onto rollers inside enclosure. Lift drawer stop pin over drawer stops.



Drop drawer bowl inside drawer frame.



Drawer should operate smoothly after opening and closing several times. If not, check alignment of bracket angles.

Step 6 - Make sure all hardware is secure.

Assembly is complete.

(End)

EAGLE
GROUP
Profit from the Eagle Advantage®

• 100 Industrial Boulevard, Clayton, Delaware 19938-8903 U.S.A. • www.eaglegrp.com
• Phone: 302/653-3000 • (Foodservice) 800/441-8440 • (MHC/Retail) 800/637-5100
• Fax: 302/653-2065

Eagle Foodservice Equipment, Eagle MHC, SpecFAB®, and Retail Display are divisions of Eagle Group. ©2012 by the Eagle Group