

Signify

RF NODE ZHAGA DC

LLC745x/00



LLC7450, LLC7452, LLC7454,
LLC7456, LLC7458



LLC7451, LLC7453, LLC7455

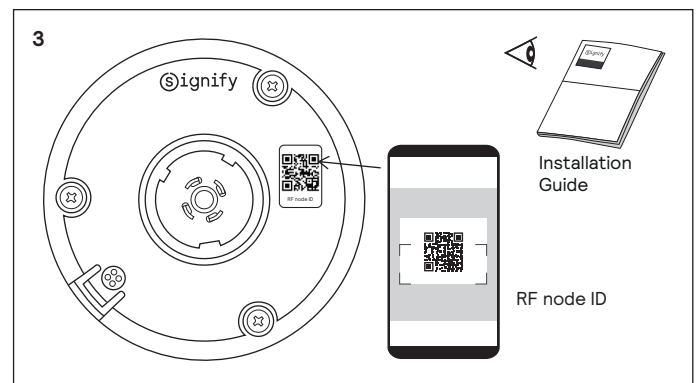
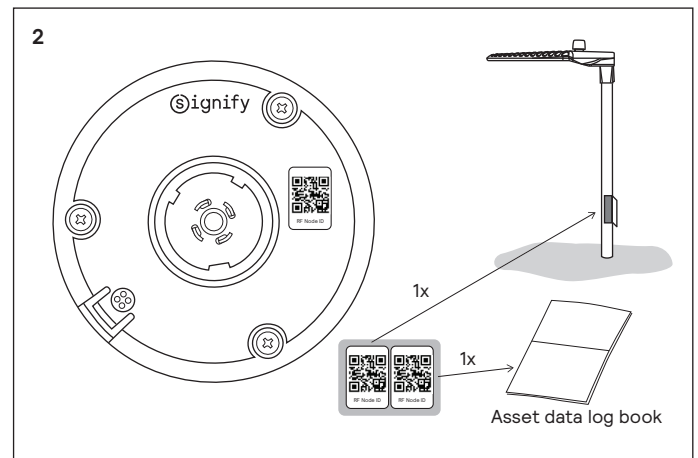
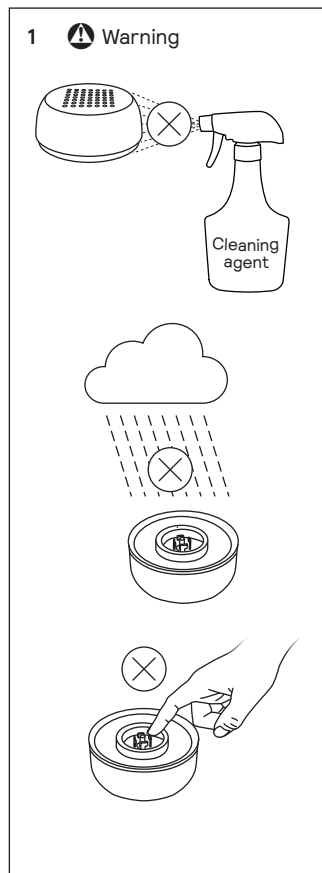
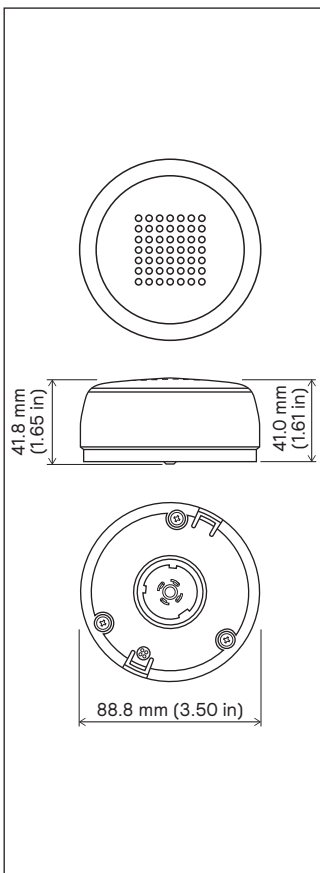
Installation instructions

Instructions d'installation
Instrucciones de instalación

Istruzioni per l'installazione
Installatie-instructies

Installationsanweisungen
インストール手順

安装指示书
إرشادات التركيب

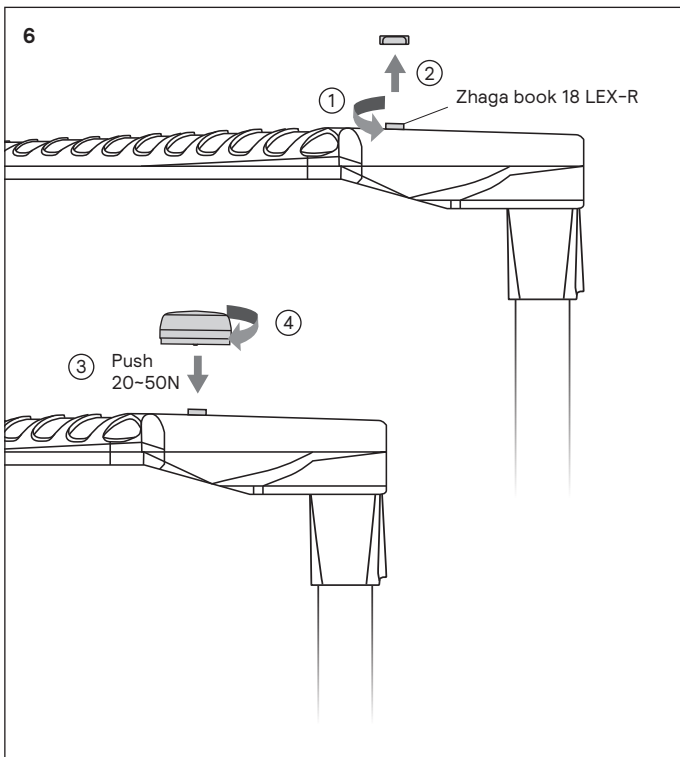
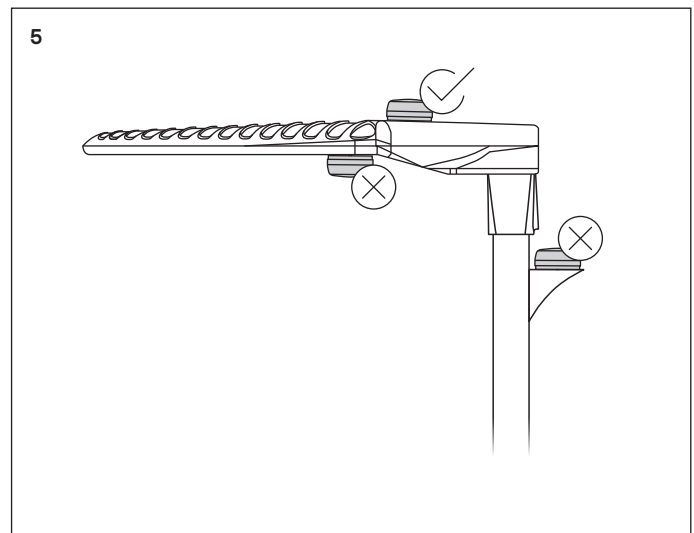
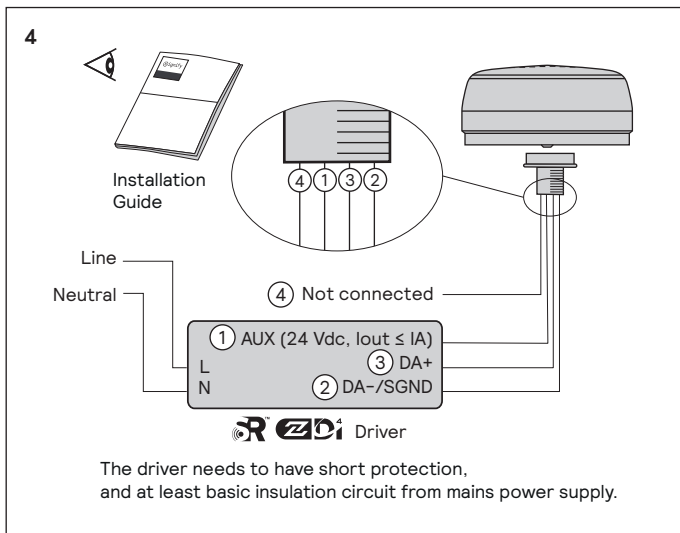


LLC7450, LLC7451,
LLC7452, LLC7453,
LLC7454, LLC7455

LLC7456
LLC7458

LLC7458





FCC statement

This device complies with part 15 of the FCC Rules. Operation is subject to the following two conditions: (1) This device may not cause harmful interference, and (2) this device must accept any interference received, including interference that may cause undesired operation. Any changes or modifications not expressly approved by Signify could void the user's authority to operate this equipment. This product is intended for commercial use only.

Note: This equipment has been tested and found to comply with the limits for a Class A digital device, pursuant to part 15 of the FCC Rules. These limits are designed to provide reasonable protection against harmful interference when the equipment is operated in a commercial environment. This equipment generates, uses, and can radiate radio frequency energy and, if not installed and used in accordance with the instruction manual, may cause harmful interference to radio communications. Operation of this equipment in a residential area is likely to cause harmful interference in which case the user will be required to correct the interference at his own expense.

This device complies with Industry Canada's licence-exempt RSSs.

Operation is subject to the following two conditions:

- (1) This device may not cause interference; and
- (2) This device must accept any interference, including interference that may cause undesired operation of the device.

Le présent appareil est conforme aux CNR d'Industrie Canada applicables aux appareils radio exempts de licence. L'exploitation est autorisée aux deux conditions suivantes :

- (1) l'appareil ne doit pas produire de brouillage, et
- (2) l'utilisateur de l'appareil doit accepter tout brouillage radioélectrique subi, même si le brouillage est susceptible d'en compromettre le fonctionnement.

FCC Radiation Exposure Statement

This equipment complies with FCC radiation exposure limits set forth for an uncontrolled environment. This equipment must be installed and operated with a minimum distance 20cm between the radiator and your body.

"ISED Radiation Exposure Statement

This equipment complies with ISED radiation exposure limits set forth for an uncontrolled environment. This equipment should be installed and operated with minimum distance 20cm between the radiator and your body. This transmitter must not be co-located or operating in conjunction with any other antenna or transmitter."

Cet équipement respecte les limites d'exposition aux rayonnements ionisants fixées pour un environnement non contrôlé. Cet équipement doit être installé et utilisé avec une distance minimale de 20cm entre le radiateur et votre corps. Cet émetteur ne doit pas être localisé ou fonctionner en conjonction avec une autre antenne ou un autre émetteur.

⚠ Warning

Control terminals marked 'Caution' are considered to be hazardous/live parts and are not safe to touch. Circuits connected to these terminals shall be insulated according to the mains supply voltage of the controlgear and any terminals connect to these circuits shall be protected against accidental contact.

Hereby, Signify declares that the radio equipment type LLC745x/00 are in compliance with Directive 2014/53/EU. The full text of the EU declaration of conformity is available at the following Internet address: www.signify.com/remd

⚠ Warning

Do not use any chemical cleaning agents on the LLC745x/00.

Signify

© 2019–2026 Signify Holding. All rights reserved. The information provided herein is subject to change, without notice. Signify does not give any representation or warranty as to the accuracy or completeness of the information included herein and shall not be liable for any action in reliance thereon. The information presented in this document is not intended as any commercial offer and does not form part of any quotation or contract, unless otherwise agreed by Signify. All trademarks are owned by Signify Holding or their respective owners.

UK importer address:
Signify Commercial UK Limited
2 Guildford Business Park
GU2 8XG, UK

