

## Operating instructions Heat pump dryer



To avoid the risk of accidents or damage to the appliance it is **essential** to read these instructions before it is installed and used for the first time.

# Contents


---

|   |    |
|---|----|
| <b>Caring for the environment</b> .....                       | 6  |
| <b>Warning and Safety instructions</b> .....                  | 7  |
| <b>Operating the tumble dryer</b> .....                       | 19 |
| Control panel.....  | 19 |
| Operating the sensor controls.....                            | 21 |
| Display.....  | 21 |
| Examples on how to operate the appliance.....                 | 21 |
| <b>Before using for the first time</b> .....                  | 22 |
| Miele@home.....   | 22 |
| Wash2Dry.....   | 23 |
| Requirements for use.....                                     | 23 |
| Downtime after installation.....                              | 24 |
| <b>Energy saving tips</b> .....                               | 26 |
| Energy saving tips.....                                       | 26 |
| Feedback.....   | 27 |
| <b>1. Notes on correct laundry care</b> .....                 | 28 |
| Points to note regarding washed laundry.....                  | 28 |
| Preparing the laundry before drying.....                      | 28 |
| Drying .....  | 29 |
| Care label symbols.....                                       | 29 |
| Select the correct drying level.....                          | 29 |
| <b>2. Selecting a programme</b> .....                         | 30 |
| Switching on the tumble dryer .....                           | 30 |
| <b>3. Loading the tumble dryer</b> .....                      | 33 |
| Loading the laundry.....                                      | 33 |
| <b>4. Selecting programme settings</b> .....                  | 34 |
| Programme settings .....                                      | 34 |
| Selecting the drying level for a drying level programme ..... | 34 |
| Other programmes and timed drying programmes.....             | 34 |
| Selecting an extra option.....                                | 35 |
| ◇ Delay start/SmartStart .....                                | 35 |
| <b>5. Starting a programme</b> .....                          | 37 |
| Starting the programme .....                                  | 37 |
| <b>6. End of programme - unload the drum</b> .....            | 38 |
| End of programme.....   | 38 |
| Unloading the drum.....                                       | 38 |

|   |    |
|---|----|
| <b>Programme chart</b> .....                                      | 39 |
| Programmes on the control panel .....                             | 39 |
| Further programmes.....   | 42 |
| <b>Extras</b> .....   | 45 |
| Gentle tumble.....  | 45 |
| Freshen up.....   | 45 |
| Anti-crease .....   | 45 |
| Buzzer.....   | 45 |
| Drying programme overview - Extras.....                           | 46 |
| <b>Changing the programme sequence</b> .....                      | 47 |
| Adding or removing laundry .....                                  | 47 |
| <b>Condensed water container</b> .....                            | 48 |
| Emptying the condensed water container .....                      | 48 |
| <b>Fragrance flacon</b> .....                                     | 49 |
| FragranceDos .....  | 49 |
| Removing the protective seal from the fragrance flacon.....       | 49 |
| Inserting the fragrance flacon.....                               | 50 |
| Opening the fragrance flacon.....                                 | 51 |
| Closing the fragrance flacon .....                                | 51 |
| Removing/replacing the fragrance flacon .....                     | 52 |
| <b>Cleaning and care</b> .....                                    | 53 |
| Fluff filters.....  | 53 |
| Removing the fragrance flacon .....                               | 53 |
| Removing visible fluff .....                                      | 53 |
| Cleaning the fluff filters and air flow openings thoroughly ..... | 54 |
| Cleaning the fluff filters with water .....                       | 55 |
| Cleaning the plinth filter.....                                   | 56 |
| Removing the plinth filter .....                                  | 56 |
| Cleaning the plinth filter.....                                   | 57 |
| Cleaning the plinth filter access panel .....                     | 58 |
| Cleaning the dryer.....   | 58 |
| <b>Problem solving guide</b> .....                                | 59 |
| The display indicates the following messages or faults.....       | 59 |
| Unsatisfactory drying results.....                                | 62 |
| The drying cycle duration is very long.....                       | 63 |
| General problems with the tumble dryer.....                       | 64 |
| Replacing the plinth filter.....                                  | 65 |
| Reactivating the plinth filter.....                               | 67 |

# Contents

---

|  |    |
|--|----|
| Checking the heat exchanger.....   | 67 |
| <b>Service</b> .....   | 68 |
| Contact in the event of a fault.....   | 68 |
| Optional accessories.....  | 68 |
| Warranty.....  | 68 |
| <b>Installation</b> .....  | 69 |
| Front view.....  | 69 |
| Rear view.....   | 70 |
| Transporting the tumble dryer.....   | 70 |
| Transporting the tumble dryer to its installation site.....  | 70 |
| Installation.....  | 71 |
| Levelling the dryer.....   | 71 |
| Downtime after installation.....   | 71 |
| Ventilation.....   | 71 |
| Before moving the tumble dryer again (e.g. when moving house).....                                 | 71 |
| Additional installation requirements.....  | 72 |
| External condensed water outlet.....   | 73 |
| Installation conditions requiring a non-return valve.....  | 73 |
| Arranging the drain hose.....  | 74 |
| Examples.....  | 74 |
| Electrical connection.....   | 76 |
| <b>Technical data</b> .....  | 77 |
| Data sheet for household tumble driers.....  | 78 |
| EU Conformity declaration.....   | 80 |
| UK Conformity declaration.....   | 80 |
| <b>Consumption data</b> .....  | 81 |
| <b>Settings</b> .....  | 82 |
| Accessing the settings menu.....   | 82 |
| Language  ..... | 83 |
| Drying levels.....   | 83 |
| Cooling down temp.....   | 83 |
| Welcome tone.....  | 83 |
| Keypad tone.....   | 84 |
| Buzzer volume.....   | 84 |
| Airways indicator.....   | 84 |
| Conductivity.....  | 85 |
| Consumption.....   | 85 |
| Code.....  | 86 |

|                             |    |
|-----------------------------|----|
| Brightness .....            | 86 |
| Display.....                | 86 |
| Buttons active .....        | 86 |
| Buttons inactive.....       | 86 |
| Disp. switch-off stat. .... | 87 |
| Memory .....                | 87 |
| Anti-crease .....           | 87 |
| Programme info .....        | 88 |
| Miele@home .....            | 88 |
| Remote control .....        | 89 |
| SmartGrid .....             | 89 |
| Wash2Dry .....              | 90 |
| RemoteUpdate .....          | 90 |
| Running a RemoteUpdate..... | 90 |

# Caring for the environment

---

## Disposal of the packing material

The packaging is designed to protect the appliance from damage during transportation. The packaging materials used are selected from materials which are environmentally friendly for disposal and should be recycled.

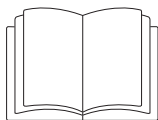
Recycling the packaging reduces the use of raw materials in the manufacturing process and also reduces the amount of waste in landfill sites.

## Disposing of your old appliance

Electrical and electronic appliances often contain valuable materials. They also contain specific materials, compounds and components, which were essential for their correct function and safety. These could be hazardous to human health and to the environment if disposed of with your domestic waste or if handled incorrectly. Please do not, therefore, dispose of your old appliance with your household waste.



Please dispose of it at your local community waste collection / recycling centre for electrical and electronic appliances, or contact your dealer or Miele for advice. You are also responsible for deleting any personal data that may be stored on the appliance being disposed of. Please ensure that your old appliance poses no risk to children while being stored prior to disposal.



- ▶ It is essential to read these instructions.

This tumble dryer complies with all current local and national safety requirements. However, inappropriate use can lead to personal injury and damage to property.

Read the operating instructions carefully before using the tumble dryer. They contain important information on safety, installation, use and maintenance. This prevents both personal injury and damage to the tumble dryer.

In accordance with standard IEC 60335-1, Miele expressly and strongly advises that you read and follow the instructions in the chapter on installing the tumble dryer as well as the safety instructions and warnings.

Miele cannot be held liable for damage caused by non-compliance with these instructions.

Keep these operating instructions in a safe place and pass them on to any future owner.

### Correct application

- ▶ This tumble dryer is intended for use in domestic households and similar working and residential environments.
  - ▶ This tumble dryer is not intended for outdoor use.
  - ▶ It must be used only as a domestic appliance to dry items which have been washed in a water solution and which are marked on the manufacturer's care label as being suitable for tumble drying. If using dry cleaning kits, do so at your own risk, and follow the instructions provided on the packaging.
- Any other applications may be dangerous. Miele cannot be held liable for damage resulting from incorrect or improper use or operation.

## Warning and Safety instructions

---

▶ This tumble dryer can only be used by people with reduced physical, sensory or mental capabilities, or lack of experience or knowledge, if they are supervised whilst using it or have been shown how to use it in a safe way and understand and recognise the consequences of incorrect operation.

### Safety with children

- ▶ Children under 8 years of age must be kept away from the tumble dryer unless they are constantly supervised.
- ▶ Children 8 years and older may only use the tumble dryer unsupervised if they have been shown how to use it safely and recognise and understand the consequences of incorrect operation.
- ▶ Children must not be allowed to clean or maintain the tumble dryer unsupervised.
- ▶ Please supervise children in the vicinity of the tumble dryer and do not let them play with it.

### Technical safety

▶ Please observe the instructions in “Installation” and the “Technical data”.

▶ Before setting up the tumble dryer, check it for any externally visible damage.

Do not install or use a damaged tumble dryer.

▶ Before connecting the tumble dryer, ensure that the connection data on the data plate (fuse rating, voltage and frequency) match the mains electricity supply. If in any doubt, consult a qualified electrician.

▶ Reliable and safe operation of this tumble dryer can only be assured if it has been connected to the mains electricity supply.

▶ The electrical safety of this tumble dryer can only be guaranteed when correctly earthed. It is essential that this standard safety requirement is met. If in any doubt, please have the household wiring system tested by a qualified electrician. Miele cannot be held liable for the consequences of an inadequate earthing system (e.g. electric shock).

▶ Do not connect the appliance to the mains electricity supply by an extension lead, multi-socket adapter or similar. These can overheat and are a fire hazard.

## Warning and Safety instructions

---

- ▶ Faulty components must only be replaced by genuine Miele original spare parts. The manufacturer can only guarantee the safety of the appliance when Miele replacement parts are used.
- ▶ Unauthorised repairs could result in unforeseen dangers for the user, for which Miele cannot accept liability. Repairs should only be undertaken by a Miele approved service technician, otherwise any subsequent damage will not be covered by the warranty.
- ▶ The accessibility of the plug must always be ensured, in order to disconnect the tumble dryer from the mains.
- ▶ If the electrical connection cable is faulty it must only be replaced by a Miele authorised service technician to protect the user from danger.
- ▶ The tumble dryer must be isolated from the electricity supply in the event of a fault and during cleaning and maintenance.

## Warning and Safety instructions

### ► Heat pump technology and refrigerant:

this tumble dryer uses a gaseous refrigerant which is condensed by the compressor. The refrigerant, which is brought to a higher temperature level and liquefied by condensing, is led in a closed circuit through the heat exchanger unit where heat exchange with the circulating drying air takes place.

 Damage to the tumble dryer by switching it on too soon.

This can damage the heat pump.

After setting up the tumble dryer wait for at least one hour before switching it on.

- The humming noises caused by the heat pump during the drying process are normal. They do not impair the efficient functioning of the dryer.
- The refrigerant is not flammable or explosive.
- This tumble dryer contains fluorinated greenhouse gases. Hermetically sealed.

| Designation of refrigerant               | R134a                     | R134a                     | R450A                    |
|--|---------------------------|---------------------------|--------------------------|
| Refrigerant quantity                     | 0.48 kg                   | 0.30 kg                   | 0.31 kg                  |
| Ozone-depletion potential of refrigerant | 1430 kg CO <sub>2</sub> e | 1430 kg CO <sub>2</sub> e | 605 kg CO <sub>2</sub> e |
| Ozone-depletion potential of appliance   | 686 kg CO <sub>2</sub> e  | 429 kg CO <sub>2</sub> e  | 188 kg CO <sub>2</sub> e |

The designation and quantity of refrigerant that apply to this tumble dryer, and the ozone-depletion potential, can be found on the data plate (at the back of the tumble dryer).

## Warning and Safety instructions

---

- ▶ Do not block the gap between the bottom of the tumble dryer and the floor with plinth facings, deep pile carpet etc. This would hinder a sufficient flow of air to the dryer.
- ▶ Make sure the dryer door can be opened without hindrance after installation.
- ▶ This tumble dryer must not be used in a non-stationary location (e.g. on a ship).
- ▶ Do not make any alterations to the tumble dryer, unless authorised to do so by Miele.
- ▶ This tumble dryer is supplied with a special lamp to cope with particular conditions (e.g. temperature, moisture, chemical resistance, abrasion resistance and vibration). This special lamp must only be used for the purpose it is intended for. It is not suitable for room lighting. Replacement lamps may only be fitted by a Miele authorised person or the Miele Service Department.

### Correct use

- ▶ Do not install the tumble dryer in a room where there is a risk of frost occurring. At temperatures around freezing point the tumble dryer may not be able to operate properly. There is a risk of damage if the condensed water is allowed to freeze in the pump and hoses.
- ▶ The maximum load for this tumble dryer is 9.0 kg (dry weight). The maximum recommended loads for individual programmes are given in the Programme chart.
- ▶ To prevent the risk of fire, do not connect the tumble dryer via a controllable socket (e.g. a timer or a peak-load switch-off device). If the drying programme is interrupted before the end of the cooling down phase, this could cause the laundry to self-ignite.
- ▶ **Warning:** Do not switch the dryer off before the drying programme has finished. If this is done, the laundry must be hung up or spread out to cool it down.
- ▶ In many programmes, the heating phase is followed by a cooling down phase to ensure that the items are not too hot to handle when you remove them (this also avoids the danger of the laundry self-igniting). The programme is not finished until the cooling down phase has been completed.  
As soon as the programme has finished, remove all laundry from the drum.

## Warning and Safety instructions

---

▶ To prevent the risk of fire, the following textiles must not be dried in this tumble dryer:

- Items which have not been washed.
- Items, such as workwear, which have not been thoroughly cleaned and which are still soiled with grease, oil or other deposits (such as cosmetics, lotions etc). If items have not been thoroughly cleaned there is a danger that these might ignite when heated, even after they have been removed from the dryer at the end of the programme.
- Items (e.g. mops and floor cloths) which have been treated with inflammable cleaning agents or which contain residues of acetone, alcohol, benzene, petrol, kerosene, stain remover, turpentine, wax and wax remover or other chemicals.
- Items which have been splashed with hair lacquer, hair spray, nail varnish remover or similar substances.

When washing such heavily soiled items ensure that you use sufficient detergent and select a high temperature. If in doubt, wash the items several times.

▶ Remove all items from pockets (e.g. lighters, matches).

## Warning and Safety instructions

---

- ▶ To prevent the risk of fire, the following textiles must not be dried in this tumble dryer:
  - Items which have been cleaned using chemicals (e.g. professional dry-cleaning agents).
  - Items which contain a large proportion of rubber, foam rubber or rubber-like materials. For example, products made from latex foam rubber, shower caps, waterproof textiles, rubberised articles and items of clothing and pillows with foam rubber filling.
  - Damaged items which contain padding or fillings (e.g. pillows, jackets). When damaged, the filling can get out with the risk of it igniting in the dryer.
- ▶ Always close the door after use. This way you will avoid the danger of:
  - Children climbing onto or into the dryer or hiding things in it.
  - Pets or other small animals climbing into it.
- ▶ Do not let anyone sit or lean on the door, as this can cause the tumble dryer to tip up.
- ▶ The fluff filters must be cleaned after every drying cycle.
- ▶ The fluff filters or the plinth filter must be thoroughly dried after cleaning. Wet fluff/plinth filters could cause operational faults while drying.

## Warning and Safety instructions

---

- ▶ The tumble dryer must not be used without fluff filters or
  - with damaged fluff filters, or
  - with a damaged plinth filter.

This would cause an excessive build-up of fluff which in turn would cause a fault.

- ▶ If the water is drained externally through the drain hose instead of being collected in the condensed water container, make sure the drain hose is securely attached if you hang it in a sink or basin to avoid the hose slipping and the water causing damage.

- ▶ Condensed water is not drinking water. It can cause health problems in both people and animals if consumed.

- ▶ Always keep the area around the tumble dryer free of dust and fluff.

Dust drawn into the tumble dryer can cause blockages in the heat exchanger over time.

- ▶ The tumble dryer must not be hosed down.
- ▶ Fabric conditioner and similar products must be used according to the instructions on the manufacturer's packaging.

### Using a fragrance flacon (optional accessory)


- ▶ Only use genuine Miele original fragrance flacons.
- ▶ The fragrance flacon must be stored in its packaging so please make sure you retain this.
- ▶ Caution. The fragrance can leak out of the flacon. Make sure that you always keep the flacon, or the fluff filter with the flacon inserted in it, in a horizontal position when carrying and do not tip or place down on any surface.
- ▶ Use an absorbent cloth to wipe up any fragrance which has leaked out of the flacon onto the floor, the dryer or any dryer components (e.g. the fluff filter) immediately.
- ▶ If fragrance which has leaked out of a flacon: comes into contact with the **skin** - wash the skin thoroughly with soap and water; comes in contact with the **eyes** - rinse the eyes with clean water for at least 15 minutes; is swallowed - rinse out the **mouth** thoroughly with clean water. Seek medical advice in the case of contact with the eyes or if fragrance has been swallowed.
- ▶ If fragrance which has leaked out of a flacon comes in contact with clothing, change the clothing immediately. Wash the clothing or any cloths used for mopping up fragrance thoroughly with plenty of water and detergent.
- ▶ There is the risk of fire or damage to the tumble dryer if the following instructions are not observed:
  - Never refill a flacon with fragrance.
  - Never use a faulty fragrance flacon.
- ▶ Dispose of an empty fragrance flacon with the household waste and never use it for any other purpose.
- ▶ Please also observe the information supplied with the fragrance flacon.

## Warning and Safety instructions

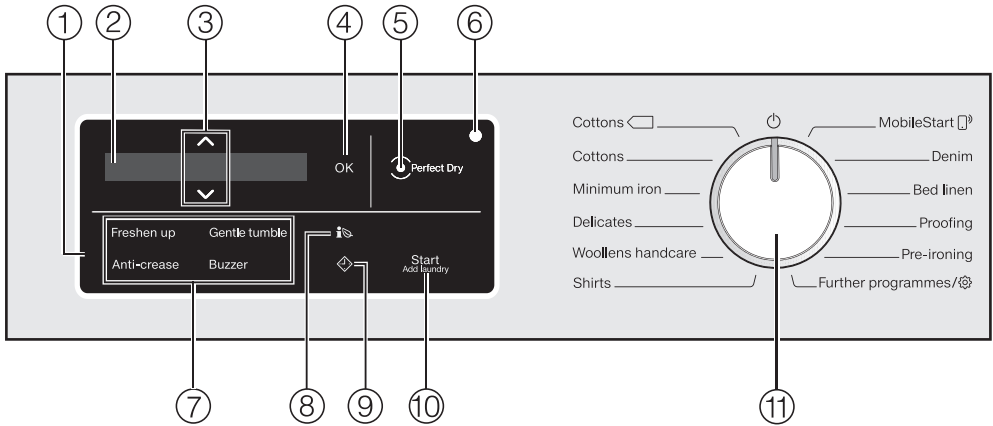
---

### Accessories

- ▶ Only use genuine Miele original spare parts and accessories with this appliance. If non-Miele parts are used, warranty, performance and product liability claims will be invalidated.
- ▶ The tumble dryer can be combined with a Miele washing machine in a washer-dryer stack. The appropriate “WTV” stacking kit (available to order) to match your tumble dryer and washing machine is required.
- ▶ If you order a plinth for this tumble dryer (available from Miele as an optional accessory - depending on country), make sure it is the correct one.

 Miele cannot be held liable for damage caused by non-compliance with these Warning and Safety instructions.

## Control panel



### ① Control field

The control field consists of a display and various sensor controls. The individual sensors are explained in the following sections.

### ② Display

The following values are shown on the display and/or selected from it:

1. The programme names, the drying level, and the duration of the selected programme.
2. The individual values for selected extras and settings.

### ③ Sensor controls $\wedge \vee$

Values shown in the display can be changed with the  $\wedge \vee$  sensors. The  $\wedge$  sensor increases the value or moves up the list; the  $\vee$  sensor decreases the value or moves down the list.

### ④ OK sensor

The OK sensor is used for confirming selected values.

### ⑤ PerfectDry indicator

The *PerfectDry* indicator flashes after the programme has started and switches off when the programme running time is displayed. The *PerfectDry* system measures the residual moisture of the laundry. In programmes with selectable drying levels, *PerfectDry* dries the laundry precisely, although the result is also influenced by the calcium content of the water.

The *PerfectDry* indicator lights up towards the end of the programme once the selected drying level has been reached.

Nothing is indicated for programmes that do not have a selectable drying level.

# Operating the tumble dryer

---

## ⑥ Optical interface


This is used by the Service department as a transmission point.

## ⑦ Sensors for extra options

You can select extra options to augment drying programmes.


If a drying programme has been selected, the sensor controls for the possible extra options light up dimly.

## ⑧ sensor

You can use the  sensor to call up an energy consumption forecast for the selected drying programme.

See “Washing environmentally and economically”, section “EcoFeedback” for more information.

## ⑨ sensors


The  sensor starts the delay start function. With the delay start function, you can choose when you want the programme to start. The start of the programme can be delayed from 15 minutes up to a maximum of 24 hours. This allows you to make use of night-time economy electricity rates, for example.


For further information see “4. Selecting programme settings”

## ⑩ Start/Add laundry sensor control

Touching the *Start/Add laundry* sensor control starts a programme. The current programme can be interrupted to add laundry. The programme can be started when the sensor control is flashing on and off. The sensor control lights up constantly once the programme has started.

## ⑪ Programme selector

This is used for selecting programmes and for switching off. The tumble dryer is switched on by selecting a programme and switched off by turning the programme selector to the  position.

Under *Further programmes*/ you will find:

- The *Wash2Dry* function as well as additional programmes
- The option to change *Settings*

# Operating the tumble dryer

## Operating the sensor controls

The sensor controls react to fingertip contact. Selection is possible as long as the respective sensor is illuminated.

If a sensor is brightly lit, this means: currently selected

If a sensor is dimly lit, this means: selection possible

## Display

The basic display shows the following for a drying level programme:




- The selected drying level and the expected programme duration.
- The drying level reached after the start of the programme and the remaining programme duration.

The basic display shows only the programme duration for a time-controlled programme:



## Examples on how to operate the appliance

### Scrolling through a list

The  scroll bar in the display indicates that a list of choices is available.



Touching the  $\nabla$  sensor scrolls down the list to the next option and touching the  $\blacktriangle$  sensor scrolls up the list to the next option. The *OK* sensor is used to activate the option shown in the display.

### Identifying the selected option



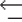
An activated option in a list will have a tick  $\checkmark$  next to it.

### Setting numerical values



The numerical value is highlighted in white. Touching the  $\nabla$  sensor decreases the value. Touching the  $\blacktriangle$  sensor increases the value. The *OK* sensor is used to activate the value shown in the display.

### Leaving a submenu

Select *Back*  to exit a submenu.

# Before using for the first time

---

## Miele@home

Your tumble dryer is equipped with an integrated WiFi module.

In order to use it you need:

- a WiFi network
- the Miele app
- a Miele user account. The user account can be created via the Miele app.

The Miele app will guide you as you connect your tumble dryer to your home WiFi network.

Once your tumble dryer is connected to your WiFi network you can use the app, for example, to carry the following activities:

- Controlling your tumble dryer remotely
- Calling up information on the operating status of your tumble dryer
- Calling up information on the programme sequence of your tumble dryer

Connecting your tumble dryer to your WiFi network will increase energy consumption, even when the tumble dryer is switched off.

Before installing the tumble dryer in its final location, ensure the signal strength is sufficient for your WiFi network.

## Availability of the WiFi connection

The WiFi connection shares a frequency range with other appliances (including microwave ovens and remote control toys). This can give rise to sporadic or even complete connection failures. Therefore, the availability of featured functions cannot be guaranteed.

## Miele@home availability

The ability to use the Miele app depends on the availability of the Miele@home service in your country.

The Miele@home service is not available in every country.

For information about availability, please visit [www.miele.com](http://www.miele.com).

## Miele App

The Miele App is available to download free of charge from the Apple App Store® or from the Google Play Store™.



## Wash2Dry

Once the programme has come to a proper end, the Miele washing machine transfers the programme data via the router to which the networked tumble dryer is also connected, as well as transferring it to the Miele Cloud.

The tumble dryer automatically sets a drying programme tailored to the laundry based on the transferred programme data.

All you need to do is start the drying programme once you have loaded the tumble dryer. No further programme settings are required on the tumble dryer.

**Tip:** The drying programme must be started within 24 hours of the end of the wash programme. The data will be kept available for the tumble dryer during this period, but will be overwritten when a new wash programme ends.

**Tip:** Do not disconnect the tumble dryer from the network. The programme data transferred by the washing machine will be received by the tumble dryer as soon as you select *Wash2Dry*.

If you have disconnected the appliance from the network beforehand, this will cause a delay in receiving the data.

## Requirements for use


In order to use the *Wash2Dry* function, the Miele washing machine and tumble dryer must be networked using Miele@home services.

**Tip:** Set up Miele@home as described in “Before using for the first time”.

# Before using for the first time

---

## Downtime after installation

 Damage to the tumble dryer by switching it on too soon. This can damage the heat pump. After setting up the tumble dryer wait for at least one hour before switching it on.

- Confirm your selection of the language by touching the OK sensor.

## Removing the protective foil and stickers

- Remove:
  - Any protective film from the door
  - Any stickers from the front and the lid



Please do not remove any labels (e.g. the data plate) which are visible when you open the door.

## Switching on the tumble dryer

- Turn the programme selector to the *Cottons* programme.

The welcome tone will sound and the welcome screen will light up.

## Setting the language

You will be asked to select the language you require for the display. It is possible to change the language at any time by setting the programme selector to the *Further programmes*/ position in the Settings  sub-menu.



- Touch the  $\nabla/\Delta$  sensor until the language you want appears in the display.

# Before using for the first time

## Setting up Miele@home

The following message appears in the display:

 Miele@home

- Touch the *OK* sensor control.



- To set up Miele@home now: Touch the *OK* sensor control.
- To postpone setup until later: Touch the  $\nabla$  sensor control until *Set up later* appears in the display and press *OK* to confirm.

The following selection options appear in the display:

1. Connect via WPS
2. Connect via App

- Select the required connection type.

You will then be guided by the display and the Miele app.

Before installing the tumble dryer in its final location, check that the signal strength from your WiFi network is sufficient.

You will require a WPS-compatible router for the *Connect via WPS* connection type.

- Activate the WPS function on your router within 2 minutes.

If the connection is successful, the following will appear in the display:



- Confirm with *OK*.

## Continue with setting up

- Confirm with the *OK* sensor.
- See “1. Notes on correct laundry care”.
- You can then select a programme and load the tumble dryer as described in “2. Selecting a programme” and “3. Loading the tumble dryer”.

The procedure for using for the first time is completed when a programme lasting longer than one hour has been carried out in full.

# Energy saving tips

---

## Energy saving tips


This dryer with heat-pump technology is designed for energy-saving drying cycles. However, you can save a little more energy with the following measures as the drying time is not extended unnecessarily.

- Make sure your laundry is spun at the maximum spin speed before drying. The higher the spin speed, the greater the savings that can be made in energy and time during drying, e.g. approx. 20% energy can be saved if spun at 1600 rpm instead of 1000 rpm.
- Load according to the optimum amount of laundry recommended for the programme being used. This will mean that the energy consumption for the amount of laundry is at its most economical.
- Make sure that the room temperature is not too high. If there are other heat producing appliances in the room in which the dryer is located, make sure the room is well ventilated and switch the other appliances off, if possible.
- Clean the fluff filters in the door opening after every drying cycle.

Please refer to “Cleaning and care” for information on cleaning the fluff filters and the plinth filter.

- If possible, make use of time-variable, low-cost electricity tariffs. Ask your energy supplier for information. Your tumble dryer's delay start function will be useful as you can select when during the next 24 hours you want drying to start automatically.


## Feedback

You can view information about the energy consumption of your tumble dryer with the  sensor.

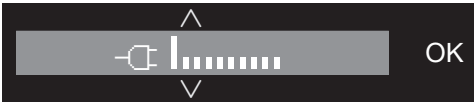
The following information will appear in the display:


- An estimate of the energy consumption before the programme begins.
- The actual energy consumption during the programme or at the end of the programme.

### 1. Viewing the estimated consumption

- After selecting a drying programme, touch the  sensor.

The estimated energy consumption level will be displayed as a bar chart.



The more bars visible () , the higher the energy consumption.

The estimate will vary depending on the drying programme, temperature and any options selected.

- Touch the **OK** sensor or wait until the display automatically returns to the standard display.

### 2. Viewing the actual consumption

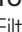
The actual energy consumption can be viewed during the programme or at the end of the programme.

- Touch the  sensor control.



If the energy consumption is too low, < 0.1 kWh will be displayed. The consumption will alter as the programme progresses.


It is also possible to view the degree of soiling of the filter as a % at the end of the programme before you open the door.

- Touch the  sensor to switch to the Filter display.

0 % = lightly soiled, 50 % = moderately soiled, 100 % = heavily soiled.

Increased soiling will cause the programme duration to increase which in turn will increase energy consumption.

If the door is opened or the appliance has switched off automatically at the end of the programme, the data will revert to the estimated consumption.


**Tip:** You can view the consumption data for the last drying programme in Settings  under Consumption.

# 1. Notes on correct laundry care

## Points to note regarding washed laundry


- When washing very heavily soiled items ensure that you use sufficient detergent and select a high temperature. If in doubt, wash the items several times.
- Do not put soaking wet items into the tumble dryer. Make sure your laundry is thoroughly spun before drying. The higher the spin speed, the greater the savings that can be made in energy and time during drying.
- New dark coloured garments should be washed and dried separately from light coloured garments to avoid the danger of colours running and discolouring other garments or even plastic components in the dryer. Dark coloured fibres can also settle on light coloured garments and vice versa.
- Starched laundry can be dried in the tumble dryer. To achieve the usual finish, double the amount of starch should be used.

## Preparing the laundry before drying

 Damage due to foreign objects which were not removed from the laundry.

Foreign objects can melt, burn, or explode.

Ensure that any foreign objects, e.g. detergent dispensing balls, lighters, etc. have been removed from the laundry.

 Risk of fire due to incorrect use and operation.

The laundry can burn and destroy the dryer and the surroundings.

See “Warning and Safety” instructions for further information.

- Sort the laundry according to the type of fibre and weave, size, garment care label symbol and the drying level required.
- Check seams and stitching to ensure that padding and linings are intact. This way you will avoid the danger of fillings coming out. These could catch fire when being dried.
- Disentangle the laundry.
- Tie together textile belts and ties.
- Fasten duvet covers and pillow cases to prevent small items from being rolled up inside them.
- Fasten hooks and eyes.
- Leave jackets open and undo any long zips so that textiles dry evenly.
- Sew in or remove underwiring from bras.
- If necessary, reduce the size of the load for these types of fabric. Easy care fabric tends to crease more, the larger the load. This is particularly the case for garments made from very fine weave fabric, such as shirts or blouses.




# 1. Notes on correct laundry care

## Drying





**Tip:** See the “Programme chart”. It lists all programmes and their maximum load.

- Always observe the maximum recommended load for each programme. This will mean that the energy consumption for the amount of laundry is at its most economical.
- Down-filled garments have linings which have a tendency to shrink, depending on the quality of the item. Only use the *Pre-ironing* programme for these textiles.
- Pure linen should only be tumble dried if it is specified as suitable on the care label. The surface of the fabric may otherwise become rough. Only use the *Pre-ironing* programme for these textiles.
- Woollens and wool blends are susceptible to becoming matted or shrinking. Only use the *Woollens handcare* programme for these textiles.
- Jersey fabrics (e.g. T-shirts, underwear) tend to shrink when they are washed for the first time. Do not overdry these fabrics to prevent further shrinking. Buy jersey garments that are one or two sizes bigger.
- With fabrics that are particularly heat-sensitive or susceptible to creasing, reduce the drying load and select *Gentle tumble*.

## Care label symbols

| Drying  |                               |
|---|-------------------------------|
|  | Normal/higher temperature     |
|  | Low temperature*              |
|   | * Select <i>Gentle tumble</i> |
|  | Do not tumble dry             |


| Ironing   |             |
|---|-------------|
|  | Hot iron    |
|  | Warm iron   |
|  | Cool iron   |
|  | Do not iron |

## Select the correct drying level

- *Extra dry* for hard wearing and very thick fabrics.
- *Normal +* if you want to fold the laundry after drying and put it away.
- *Normal* for textiles that can shrink. Or for light cotton or jersey textiles.
- *Slightly dry* for particularly delicate garments that you wish to line dry afterwards.
- *Hand iron*Δ/ΔΔ or *Machine iron* if you want to iron the laundry after drying.

## 2. Selecting a programme

### Switching on the tumble dryer

The dryer is switched on by selecting a programme, and switched off by turning the programme selector to the  position.

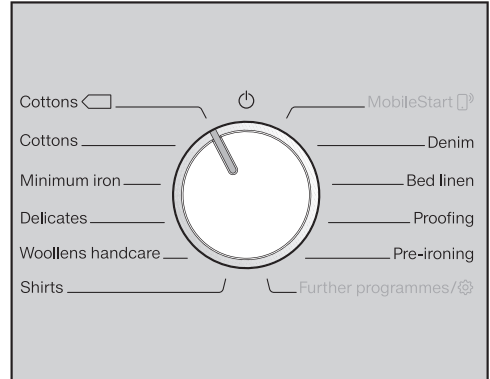
- Turn the programme selector to a programme.

When a programme is selected, the programme name and the maximum load (weight of dry laundry) possible for the programme will appear in the display for a few seconds.

### Selecting a programme

There are three possible ways to select a programme:

#### 1. Selecting standard programmes with the programme selector

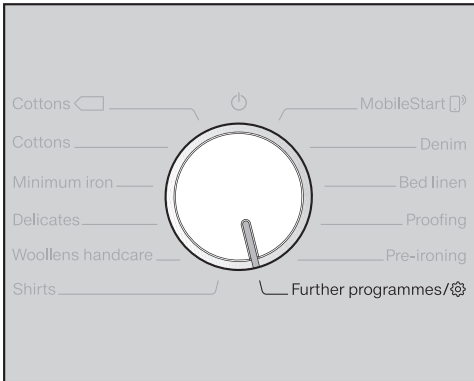


- Turn the programme selector to the required programme.

The selected programme will be shown in the display. The standard display will then reappear.

## 2. Selecting a programme

### 2. Selecting programmes via the “Further programmes/⚙️” setting and the display



- Turn the programme selector.

You can select the programme you want via the display.

- Touch the  $\wedge$ / $\vee$  sensor controls until the programme you want appears in the display.



- Confirm the programme with the *OK* sensor control.

The selected programme will be shown in the display. The standard display will then reappear.

### Selecting the Wash2Dry function



- Confirm the function with the *OK* sensor control.

⋮ Please wait lights up in the display of the tumble dryer while the wash programme is running.

Once the washing machine programme has come to a proper end, the drying programme tailored to the laundry will be displayed.


- Once the wash cycle has ended, place the clean laundry in the tumble dryer.
- To start the programme, all you need to do is press the *Start/Add laundry* sensor control on the tumble dryer.

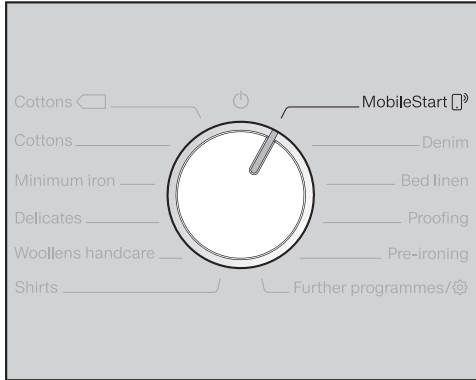
Programme selection will not be available on this tumble dryer after washing delicate textiles (e.g. curtains) in special wash programmes.

## 2. Selecting a programme

---

### 3. Selecting programmes via the MobileStart programme selector position and the Miele@mobile app

**Tip:** In order to use MobileStart , the tumble dryer must be logged on to the WiFi network and Remote control must be switched on.



- Turn the programme selector.
- Follow the instructions in the display.
- Touch the *Start/Add laundry* sensor control.

The tumble dryer can now be operated via a mobile device together with the Miele@mobile app.

## 3. Loading the tumble dryer

### Loading the laundry

Preventing damage to fabrics.  
Before loading the dryer, read “1. Notes on correct laundry care”.



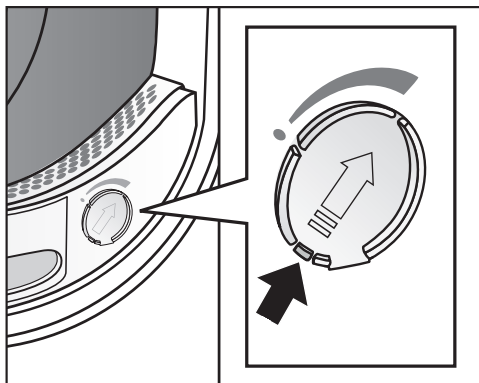
- Open the door.
- Remove any items that have been left inside the drum.
- Unfold the laundry and load loosely into the drum.

Do not overload the drum. Doing so will cause unnecessary wear and tear to the laundry and affect the drying result. It is also likely to cause more creasing.

Laundry items may be damaged if they get trapped by the door.

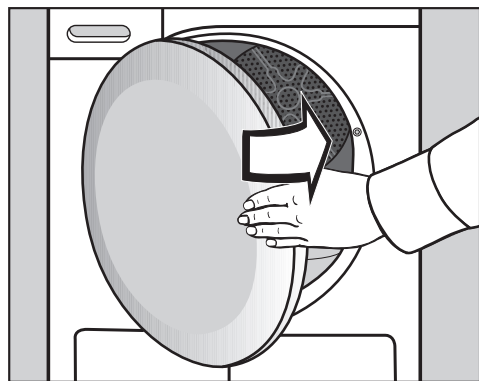
### 2 positions for inserting fragrance flacons

The “Fragrance flacon” chapter describes how to use the fragrance flacon.



If you are not using a fragrance flacon: push the tab down completely (see arrow) so that the socket is closed. Otherwise, lint will accumulate here.

### Close the door



- Shut the door with a gentle swing.

## 4. Selecting programme settings

### Programme settings

#### Selecting the drying level for a drying level programme

Cottons, Minimum iron, Delicates, Pre-ironing, Shirts, Express, Denim, Outerwear, Sportswear, Bed linen, Automatic plus

The pre-set drying level for the programme can be changed if required.



- Touch the ^ or v sensors to select a drying level.

Any drying level can be selected for the *Cottons*, *Express*, and *Bed linen* programmes. A more limited range is available when using the other programmes.

### Other programmes and timed drying programmes

Warm air, Cool air, Basket programme, DryFresh

You can change the duration in 10-minute increments.

Cool air: 20 min – 1:00 h

Warm air: 20 min – 2:00 h

Basket programme: 40 min – 2:30 h

DryFresh: 1:00–2:00 h



- Touch the ^ or v sensor controls to select a duration.

Cottons <input type="checkbox"/>, Woollens handcare, Pillows, Proofing, Silks handcare

The drying result is preset by the dryer and cannot be altered.

## 4. Selecting programme settings

### Selecting an extra option

|             |               |
|-------------|---------------|
| Freshen up  | Gentle tumble |
| Anti-crease | Buzzer        |

- Touch a sensor control to select the desired extra option.

The relevant sensor control will light up brightly.

*Freshen up* and *Gentle tumble* cannot be combined, see “Extra options” for other notes.

### Delay start/SmartStart

#### Delay start

With the delay start function, you can choose when you want the programme to start.

This function is active when the SmartGrid is switched off.

The hours can be set from 00 to 24.  
The minutes can be set in 15 minute increments from 00 to 45.

### Setting the delay start time

- Touch the  sensor.

The following will appear in the display:



- Set the hours with the  $\nabla/\Delta$  sensors. Confirm with the OK sensor.

The display will change:




- Set the minutes with the  $\nabla/\Delta$  sensors. Confirm with the OK sensor.

**Tip:** The values will count upwards and downwards automatically if you keep your finger on the  $\nabla$  or  $\Delta$  sensor control.

### Altering Delay start

The selected delay start time can be changed before the programme start.

- Touch the  sensor.
- Change the specified time and confirm with the OK sensor.

### Cancelling delay start

The selected delay start time can be cancelled before the programme starts.

- Touch the  sensor.

The selected delay start time will appear in the display.

- Set a time value of 0:00 h with the  $\nabla/\Delta$  sensors. Confirm with the OK sensor.

## 4. Selecting programme settings

The selected delay start time has been cancelled.

After the programme has started, the selected delay start time can only be changed or cancelled by interrupting the programme.

### Adding laundry during ongoing delay start period

- Follow the description in “Changing the programme sequence – Adding or removing laundry”.


### SmartStart

The SmartStart function lets you define a time period during which your tumble dryer will start automatically. The appliance will start on receipt of a signal, e.g. from your energy supplier, that indicates that the electricity tariff is particularly economical.

This function is active when the SmartGrid setting is switched on.

The timeframe can be defined between 15 minutes and 24 hours. During this period, the tumble dryer waits for the signal from the energy supplier. If no signal is sent during the defined period, the tumble dryer starts the drying programme.

### Setting the timeframe

If you have activated the SmartGrid function in Settings, SmartStart in instead of Start in will appear in the display when you touch the  sensor control (see “Settings – SmartGrid”).

The procedure for setting this is the same as for setting the time for Delay start.

- Use the  $\vee/\wedge$  sensor controls to enter the hour and confirm your entry with the OK sensor control.

The hour will be saved and the minute number block will be highlighted.

- Use the  $\vee/\wedge$  sensor controls to enter the minutes and confirm your entry with the OK sensor control.
- Press the *Start/Add laundry* sensor control to start the drying programme with SmartStart.

The following will appear in the display:



## 5. Starting a programme

### Starting the programme

- Touch the flashing *Start/Add laundry* sensor control.

The *Start/Add laundry* sensor control will light up and *Drying* appears in the display.

#### Notes

If a delay start time has been selected, then this will count down in the time display. At the end of the delay start time or immediately after the programme has started the programme duration will appear in the time display.

With a longer delay start time, the drum will rotate occasionally to untangle the laundry. This is not a fault.

- The *Perfect Dry* indicator will only flash/light up with programmes with selectable drying levels (see also “Operating the tumble dryer”).
- The dryer measures the residual moisture of the laundry and calculates the required programme duration.  
If a small load or dry laundry is placed in the dryer, it is dried/aired for a preset duration. In this case the *Perfect Dry* indicator does not light up at the end of the programme.

To prevent laundry wearing out avoid overdrying it.

The drying level reached for the selected drying level programme will light up in the display.

You can view the selected drying level or time again:

- Touch the  $\wedge$  or  $\vee$  sensor.
  - Before the programme finishes, the laundry is cooled.

#### Energy savings

After 10 minutes, the indicators dim. The *Start/Add laundry* sensor control flashes slowly.

- Touch the *Start/Add laundry* sensor control to switch the indicators on again (this does not have any effect on a running programme).

The drum lighting switches off once the programme has started.

#### **Adding laundry**

You can add laundry items after the programme has started.

- Follow the description in “Changing the programme sequence – Adding or removing laundry”.

## 6. End of programme - unload the drum

### End of programme

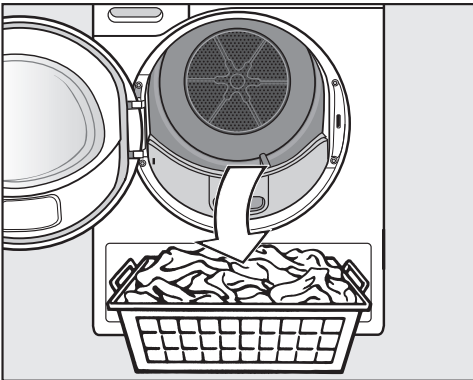
The programme is finished when *Finish/* *Anti-crease* or *Finished* appears in the display. The *Start/Add laundry* control light goes out.

The tumble dryer will switch off automatically 15 minutes after the end of the *Anti-crease* phase (with programmes without an *Anti-crease* phase it will switch off 15 minutes after the end of the programme).

### Unloading the drum

Only open the door when the drying process has finished. Otherwise, the laundry will not be properly dried through and cooled down.


- Reach under the door grip and pull the door open.




- Remove the laundry.

Items left in the dryer could be damaged by overdrying when the dryer is used the next time.

Always remove all items from the drum.

- Turn the programme selector to the  position.
- Remove the fluff from the 2 fluff filters in the door opening: see “Cleaning and care - Fluff filters”.
- Shut the door with a gentle swing.
- Empty the condensed water container.

We recommend that you drain the condensed water externally through the drain hose when drying a full load using the *Cottons* and *Cottons*  programmes. This will avoid having to empty the condensed water container during the programme.





### Drum lighting

The inside of the drum lights up so that you don't forget any items of laundry when you empty it.



The drum lighting switches off automatically (energy saving).

All weights marked with \* are based on the weight of dry laundry.

## Programmes on the control panel

|   |   |                   |
|---|---|-------------------|
| <b>Cottons</b>           |   | <b>max. 9 kg*</b> |
| Use for   | Cotton items such as those described under <i>Cottons Normal</i> with normal residual moisture.   |                   |
| Note  | <ul style="list-style-type: none"> <li>- Items are dried to a <i>Normal</i> level only in this programme.</li> <li>- The <i>Cottons</i>  programme is the most energy-efficient for drying cotton items with normal residual moisture levels.</li> </ul>   |                   |
| Note for test institutes  | <ul style="list-style-type: none"> <li>- The <i>Cottons</i>  programme is the test programme in accordance with Regulation 392/2012/EU for energy labelling, measured in accordance with EN 61121.</li> <li>- With the <i>Cottons</i> and <i>Cottons</i>  programme settings, drain the condensed water externally through the drain hose.</li> </ul> |                   |
| <b>Cottons</b>  |   | <b>max. 9 kg*</b> |
| <b>Extra dry, Normal +, Normal, Slightly dry</b>  |   |                   |
| Use for   | Single and multi-layered cotton items. For example, T-shirts, underwear, baby clothes, workwear, jackets, covers, aprons, overalls, hand towels, bath towels, bathrobes, and flannelette/bed linen.   |                   |
| Tip   | <ul style="list-style-type: none"> <li>- Select <i>Extra dry</i> for multi-layered and very thick fabrics.</li> <li>- Do not use <i>Extra dry</i> for jersey fabrics (e.g. T-shirts, underwear, baby clothes) because they can shrink.</li> </ul>   |                   |
| <b>Hand iron <math>\Delta</math>, Hand iron <math>\Delta\Delta</math>, Machine iron</b>                   |   |                   |
| Use for   | All cotton or linen fabrics requiring further processing. For example, table linen, bed linen, or starched laundry.   |                   |
| Tip   | To prevent laundry from drying out, it should be rolled up until you are ready for ironing.   |                   |
| <b>Minimum iron</b>   |   | <b>max. 4 kg*</b> |
| <b>Normal +, Normal, Slightly dry, Hand iron <math>\Delta</math>, Hand iron <math>\Delta\Delta</math></b> |   |                   |
| Use for   | For easy care items made of cotton, synthetic, or mixed fibre. For example, workwear, overalls, pullovers, dresses, trousers and table linen.   |                   |

# Programme chart

|  |   |                     |
|--|---|---------------------|
| <b>Delicates</b>   |   | <b>max. 2.5 kg*</b> |
| <b>Normal +, Normal, Slightly dry, Hand iron Δ, Hand iron ΔΔ</b>                                     |   |                     |
| Use for  | Delicate items with the  symbol on the care label made of synthetic fibre, mixed fibre, rayon, and easy care cotton. For example, shirts, blouses, lingerie, and appliquéd garments. |                     |
| Tip  | The load should be reduced further for a particularly crease-free drying process.   |                     |
| <b>Woollens handcare</b>   |   | <b>max. 2 kg*</b>   |
| Use for  | Woollen garments and fabric containing wool blends, e.g. pullovers, cardigans, tights.  |                     |
| Note   | <ul style="list-style-type: none"> <li>- Wool and wool blend items are only fluffed up; they are not dried completely.</li> <li>- Remove the garments as soon as the programme has finished.</li> </ul>   |                     |
| <b>Shirts</b>  |   | <b>max. 2 kg*</b>   |
| <b>Normal +, Normal, Slightly dry, Hand iron Δ, Hand iron ΔΔ</b>                                     |   |                     |
| Use for  | All shirts and blouses.   |                     |
| <b>MobileStart </b> |   |                     |
| The Miele app is used for selecting programmes and operating the appliance.                          |   |                     |
| <b>Denim</b>   |   | <b>max. 3 kg*</b>   |
| <b>Normal +, Normal, Slightly dry, Hand iron Δ, Hand iron ΔΔ</b>                                     |   |                     |
| Use for  | All the denim garments, e.g., jackets, jeans, shirts, and skirts.   |                     |
| <b>Bed linen</b>   |   | <b>max. 4 kg*</b>   |
| <b>Extra dry, Normal +, Normal, Slightly dry, Hand iron Δ, Hand iron ΔΔ, Machine iron</b>            |   |                     |
| Use for  | Bed linen, pillow cases   |                     |

# Programme chart

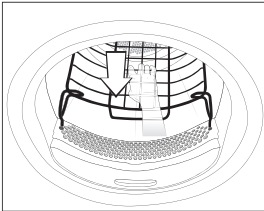
| <b>Proofing</b>                              |   | <b>max. 2.5 kg*</b> |
|--|---|---------------------|
| Use for                                      | Fabrics suitable for tumble drying, e.g. microfibre fabrics; skiwear; outdoor clothing; fine, close-weave cotton garments (poplin); and tablecloths.  |                     |
| Note   | <ul style="list-style-type: none"> <li>- With this programme, items can only be dried to the <i>Normal</i> level.</li> <li>- This programme includes an additional proofing fixing phase.</li> <li>- Only use proofing agents which are stated by the manufacturer as being “suitable for use on membrane fabrics”. These agents contain fluorochemical compounds.</li> <li>- Do not dry fabrics which have been treated with proofing agents containing paraffin. This poses a fire hazard.</li> </ul> |                     |
| <b>Pre-ironing</b>                           |   | <b>max. 1 kg*</b>   |
| <b>Normal, Hand iron <math>\delta</math></b> |   |                     |
| Use for                                      | <ul style="list-style-type: none"> <li>- Cotton and linen fabric.</li> <li>- For minimum iron items made of cotton, mixed or synthetic fibre. For example, cotton trousers, anoraks and shirts.</li> </ul>  |                     |
| Tip  | <ul style="list-style-type: none"> <li>- This programme smoothes out creasing caused during the spin cycle in the washing machine.</li> <li>- This programme is also suitable for dry fabrics.</li> <li>- Please remove the garments as soon as the programme has finished.</li> </ul>  |                     |

# Programme chart

## Further programmes

|  |  |
|--|--|
| <b>Wash2Dry</b>  |  |
| The programme is selected automatically in conjunction with the programme selection on the connected washing machine.              |  |
| <b>Warm air</b> <span style="float: right;"><b>max. 9 kg*</b></span>   |  |
| Use for  | <ul style="list-style-type: none"> <li>- Multi-layered fabrics whose layers have different drying characteristics, e.g. jackets, pillows, sleeping bags and other bulky items.</li> <li>- For drying individual items, e.g. bath towels, bathing costumes and tea towels.</li> </ul> |
| Tip  | Do not select the longest drying time to start with. Check the items as you are drying them to find the optimum time.  |
| <b>Outerwear</b> <span style="float: right;"><b>max. 2.5 kg*</b></span>  |  |
| <b>Normal, Hand iron <math>\Delta</math></b>   |  |
| Use for  | Outerwear which is suitable for tumble drying.   |
| <b>Express</b> <span style="float: right;"><b>max. 4 kg*</b></span>  |  |
| <b>Extra dry, Normal +, Normal, Slightly dry, Hand iron <math>\Delta</math>, Hand iron <math>\Delta\Delta</math>, Machine iron</b> |  |
| Use for  | Garments that can be dried in the <i>Cottons</i> programme.  |
| Note   | The programme duration is shorter.   |
| <b>Sportswear</b> <span style="float: right;"><b>max. 3 kg*</b></span>   |  |
| <b>Normal +, Normal, Slightly dry, Hand iron <math>\Delta</math>, Hand iron <math>\Delta\Delta</math></b>                          |  |
| Use for  | Sportswear which is suitable for drying in a tumble dryer.   |
| <b>Automatic plus</b> <span style="float: right;"><b>max. 5 kg*</b></span>   |  |
| <b>Normal +, Normal, Slightly dry, Hand iron <math>\Delta</math>, Hand iron <math>\Delta\Delta</math></b>                          |  |
| Use for  | Mixed loads of garments suitable for the <i>Cottons</i> and <i>Minimum iron</i> programmes.  |

# Programme chart

|                         |   |  |
|-------------------------|---|--|
| <b>Pillows</b>          |   | 1-2 pillows 40 x 80 cm or<br>1 pillow 80 x 80 cm |
| Use for                 | Pillows suitable for drying in a tumble dryer, with feather, down, or synthetic fillings.   |  |
| Tip                     | Items are dried to a <i>Normal</i> level only in this programme.  |  |
| Note                    | <ul style="list-style-type: none"> <li>- Feathers have the property of developing a significant odour when they are warm. Allow bedding to air outside the dryer after tumble drying.</li> <li>- Pillows can still feel damp after being dried. You can use this programme several times until the pillow feels dry.</li> </ul>   |  |
| <b>Cool air</b>         |   | <b>max. 9 kg*</b>                                |
| Use for                 | Any item which only needs airing.   |  |
| <b>Basket programme</b> |   | <b>Max. load for basket 3.5 kg</b>               |
| Note                    | <ul style="list-style-type: none"> <li>- This programme may only be used with the Miele tumble dryer basket TRK 555 (optional accessory) fitted.</li> <li>- Always follow the operating instructions for the tumble dryer basket.</li> <li>- Make sure that no sleeves, straps, belt straps and boot legs (for example) come into contact with the tumble dryer drum or drum ribs. When the drum rotates, the laundry can become knotted, causing damage to the dryer basket and tumble dryer.</li> </ul> |  |
|                         |    |  |
| Fabrics/<br>items       | Use this programme to dry or air items which are suitable for drying in a tumble dryer but which are not suitable for drying using mechanical action.   |  |


# Programme chart

| <b>Silks handcare</b> |   | <b>max. 1 kg*</b> |
|-----------------------|---|-------------------|
| Use for               | Silk garments which are suitable for drying in the tumble dryer, e.g. blouses and shirts  |                   |
| Note                  | <ul style="list-style-type: none"><li>- This programme reduces creasing. Items are not dried completely by this programme.</li><li>- Remove the garments as soon as the programme has finished.</li></ul> |                   |
| <b>DryFresh</b>       |   | <b>max. 9 kg*</b> |
| Use for               | Any item which only needs airing.   |                   |
| Note                  | You can reduce or eliminate unwanted odours in clean, dry textiles. Use this programme in conjunction with the DryFresh fragrance flacon (optional accessory <sup>1</sup> ).                              |                   |
|                       | <sup>1</sup> Insert fragrance flacon and set the intensity: see “Fragrance flacon”  |                   |

The drying programmes can be augmented with various extra options. However, *Freshen up* and *Gentle tumble* cannot be combined.

|             |               |
|-------------|---------------|
| Freshen up  | Gentle tumble |
| Anti-crease | Buzzer        |

### Gentle tumble

Delicate fabric (with the  symbol on the care label, e.g. acrylic garments) is dried at a lower temperature. The programme duration is longer.

### Freshen up

You can use the *Freshen up* option to help remove or reduce odours in clean (dry or damp) clothing.

The drying air is heated for a specific length of time. After this, the garments are aired to the *Normal* drying level without any more heat being added. The drying level cannot be altered.

The option will be more effective if you dampen the garments a little beforehand, use a fragrance flacon and reduce the load. Please note that odours will not be removed as effectively from parts of garments made of synthetic fibres.

### Anti-crease


After the programme has finished, the drum will continue to rotate in a certain rhythm. This “Anti-crease rhythm” helps to prevent creasing, if the laundry is not removed immediately after the end of a programme.

### Buzzer

A buzzer sounds to let you know the programme has finished. The buzzer will always sound when there is a fault, even if it has been switched off.

# Extras

## Drying programme overview - Extras

|   | Freshen up <sup>1</sup> | Gentle tumble <sup>1</sup> | Anti-crease | Buzzer |
|---|-------------------------|----------------------------|-------------|--------|
| Cottons  | -                       | -                          | X           | X      |
| Cottons   | X                       | X                          | X           | X      |
| Minimum iron  | X                       | X                          | X           | X      |
| Delicates   | -                       | ✓                          | X           | X      |
| Woollens hand-care  | -                       | -                          | -           | X      |
| Shirts  | X                       | X                          | X           | X      |
| Denim   | X                       | X                          | X           | X      |
| Bed linen   | -                       | -                          | X           | X      |
| Proofing  | -                       | -                          | X           | X      |
| Pre-ironing   | -                       | ✓                          | X           | X      |
| Warm air  | -                       | X                          | X           | X      |
| Outerwear   | -                       | ✓                          | X           | X      |
| Express   | -                       | -                          | X           | X      |
| Sportswear  | -                       | X                          | X           | X      |
| Automatic plus  | -                       | X                          | X           | X      |
| Standard pillows  | -                       | -                          | X           | X      |
| Cool air  | -                       | -                          | X           | X      |
| Basket programme  | -                       | -                          | -           | X      |
| Silks handcare  | -                       | -                          | X           | X      |
| DryFresh  | -                       | -                          | X           | X      |

<sup>1</sup> = these Extras cannot be combined

**X** = can be selected

- = cannot be selected


✓ = automatically selected

## Changing a programme once it has started

It is no longer possible to change the selected programme. This is to prevent the operation of the machine being tampered with.

If you adjust the programme selector, **i** Cannot be changed will light up in the display. This indicator goes out when you select the original programme.

## Cancelling the current programme

- Turn the programme selector to the  position.

The programme is cancelled.

You can now select a new programme.

## Adding or removing laundry

You have forgotten something but the programme is already running.

- Touch the *Start/Add laundry* sensor control.

The following appears in the display:  
**i** Door can be opened. The *Start/Add laundry* sensor control flashes slowly.

- Open the door.
- Add or remove laundry items.

You can still change the programme selection.

- Close the door.
- Touch the *Start/Add laundry* sensor control.

The programme continues.

## Exceptions when adding laundry


In some cases, for example, during the cooling phase or the *Proofing* programme, it is not possible to add laundry items.

In exceptional cases, the door can be opened while the programme is running.


# Condensed water container

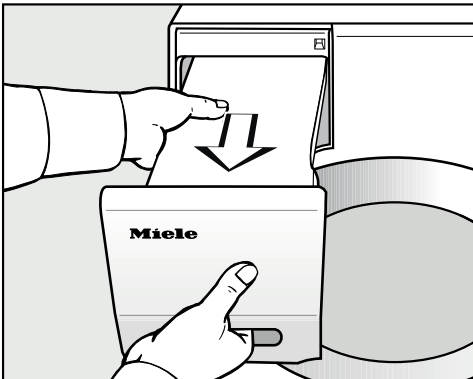
## Emptying the condensed water container

The condensed water is collected in the condensed water container. Empty the condensed water container after every drying programme.

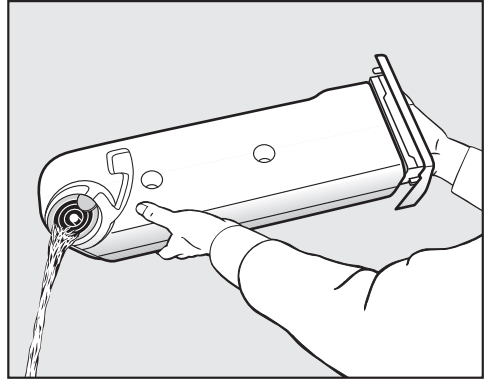
When the maximum level in the condensed water container is reached, the following message will light up in the display: Empty container. See 

- To clear the message, open and close the door with the tumble dryer switched on.

 Damage to the door and the fascia panel when removing the condensed water container. The door and the fascia panel can sustain damage. Always close the door completely.



- Remove the condensed water container.
- To prevent water from running out, keep it in a horizontal position when carrying it. Hold the condensed water container by the front panel and at the back.



- Empty the condensed water container.
- Replace the condensed water container in the dryer.

Condensed water can cause health problems in people and animals. Do not drink condensed water.


Condensed water can be put to household use (e.g. used in a steam iron or humidifier). To ensure that any residual particles of fluff in the condensed water are removed before use, pass it through a fine sieve or paper filter first.

## FragranceDos

Fragrance flacons (optional accessories) can be used to give your laundry a pleasant scent.

This dryer has 2 places for inserting fragrance flacons. This gives you a choice of how to use them.

- You can use both positions if you wish to change from one scent to another. You can close the fragrance flacon that you are not using.
- Use both positions if you want a more intense scent of the same fragrance. Or if you wish to conveniently switch between a scent for normal laundry and DryFresh to freshen up your laundry.
- Use one socket only if you only want to use the one fragrance.

 Risk of fire and damage to health if fragrance flacons are used incorrectly.

The leaked fragrance can damage your health if it comes into contact with your body. Leaked fragrance can cause fire.

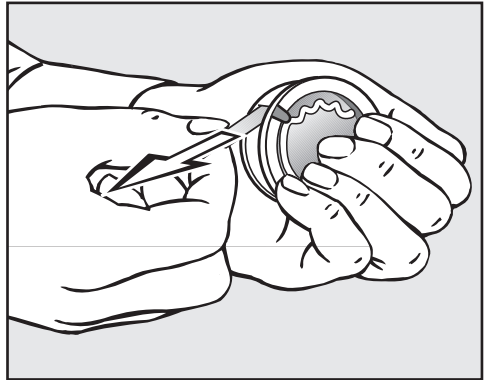
Before using a fragrance flacon, please read “Warnings and safety notes”, “Using the fragrance flacon (optional accessory)”.

## Removing the protective seal from the fragrance flacon

Only hold the fragrance flacon as illustrated. Do not hold it at an angle or tip it, as the fragrance will leak out of it.

- Take the fragrance flacon out of its packaging.

Do not attempt to open the fragrance flacon.



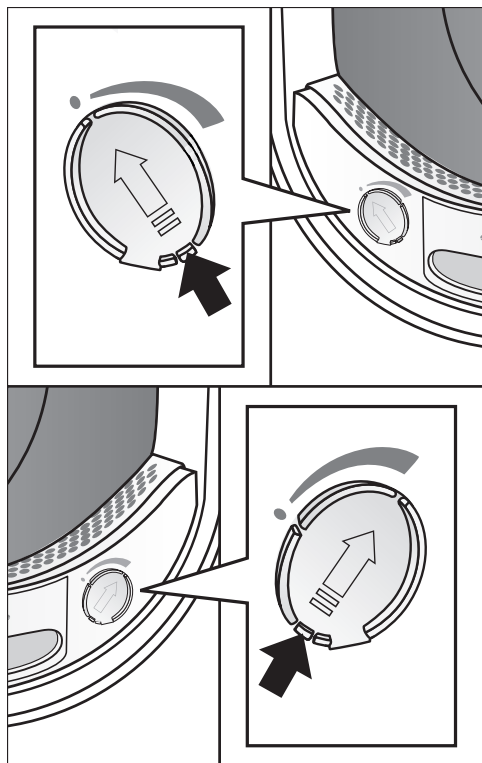
- Hold the fragrance flacon securely so that you do not open it by mistake.
- Pull off the protective seal.

# Fragrance flacon

## Inserting the fragrance flacon

- Open the door of the tumble dryer.

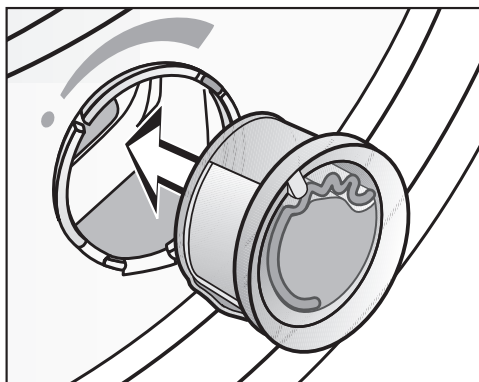
The fragrance flacon is inserted in the upper fluff filter. They can be fitted on the left and the right hand side next the opener.



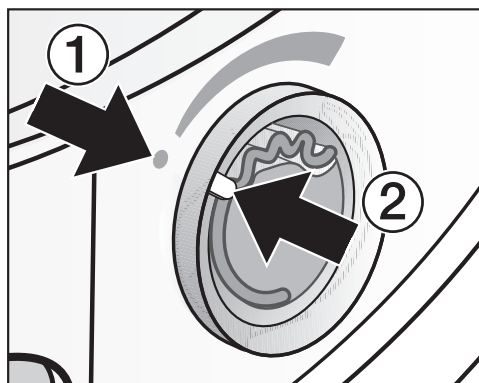
- Open the cover using the tab until the tab is right at the top as shown.

To prevent the accumulation of fluff, the cover of the unused socket must remain closed.

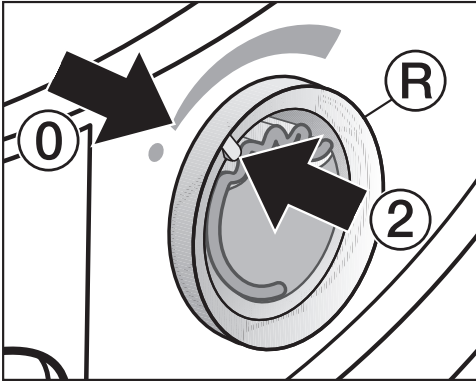
Push the tab of the cover to the bottom (see arrow), until you hear it click into position.



- Insert the fragrance flacon into the socket as far as it will go.



Markers ① and ② must line up with one another.

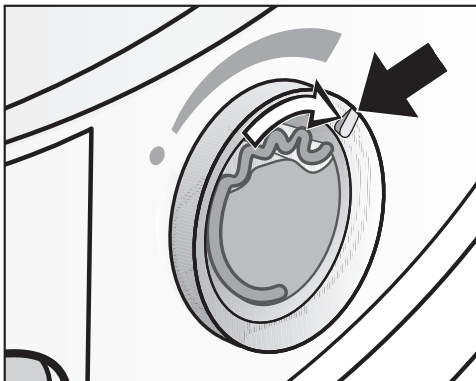


- Turn the outer ring **Ⓡ** clockwise a little.

The fragrance flacon can slip out. Turn the outer ring in such a way that markers **②** and **①** line up.

## Opening the fragrance flacon

Before drying, you can select the intensity of the fragrance.



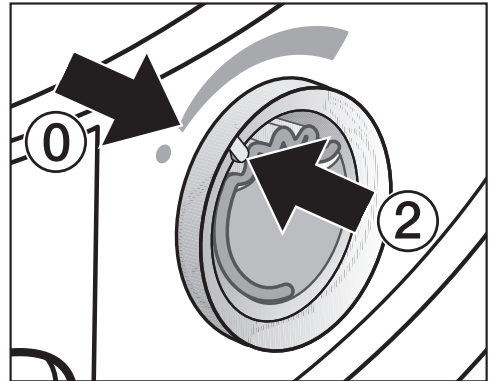
- Turn the outer ring clockwise: the further you open the fragrance flacon, the more intense the fragrance.

Damp laundry and longer drying durations with sufficient heat transfer are needed for the fragrance to be released into the laundry effectively. The fra-

grance will also be noticeable in the room air during the process. The *Cool Air* programme will not generally apply fragrance.

## Closing the fragrance flacon

After drying, the fragrance flacon should be closed to prevent the fragrance from escaping needlessly.



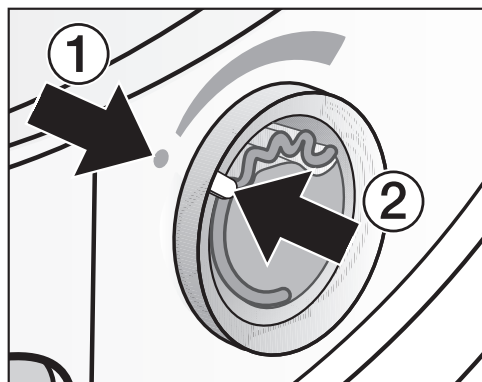
- Turn the outer ring counter-clockwise until marker **②** is in position **①**.

If you wish to dry without the fragrance occasionally: remove the fragrance flacon and store it in its original packaging.

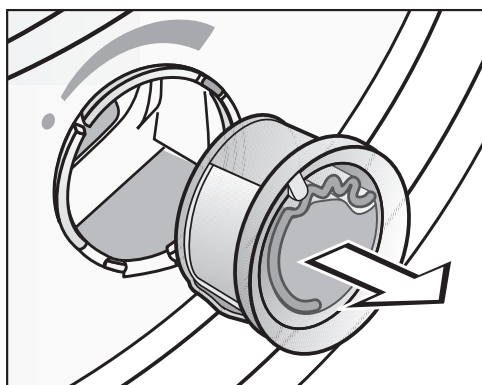
Replace the fragrance flacon with a new one when the intensity of the fragrance is no longer sufficient.

# Fragrance flacon

## Removing/replacing the fragrance flacon



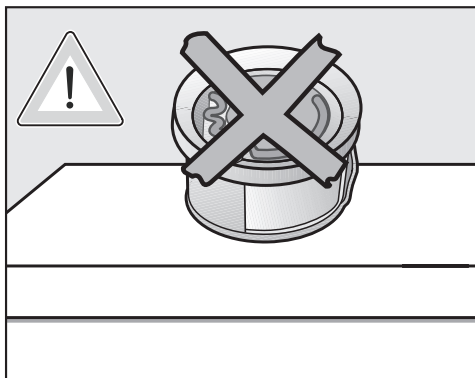
- Turn the outer ring counter-clockwise until markers ① and ② line up.



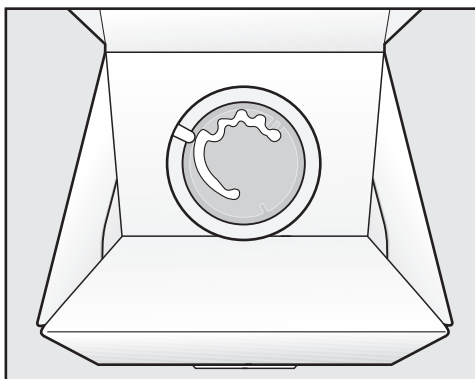
- Replace the fragrance flacon with a new one.

When not in use, you can store the fragrance flacon in its original packaging.

Fragrance flacons are available to order from Miele or online at [www.miele-shop.com](http://www.miele-shop.com).



Fragrance can leak.  
Do not lay the fragrance flacon down.



- If you are keeping the fragrance flacon in its original packaging, do not store the packaging upright on its edge or upside down. Otherwise, the fragrance will leak out.
- Always store in a cool, dry place away from direct sunlight.
- When purchasing new fragrance flacons, only remove the protective seal just before use.

## Fluff filters

This tumble dryer has 2 fluff filters in the loading area of the door. Both fluff filters trap fluff produced during the drying process.

Clean the fluff filters after each drying programme. This prevents an extension of the programme running time.

Also clean the fluff filters when the following message lights up in the display: Clean the plinth filter. See 

- To clear the message, confirm with OK.

## Removing the fragrance flacon

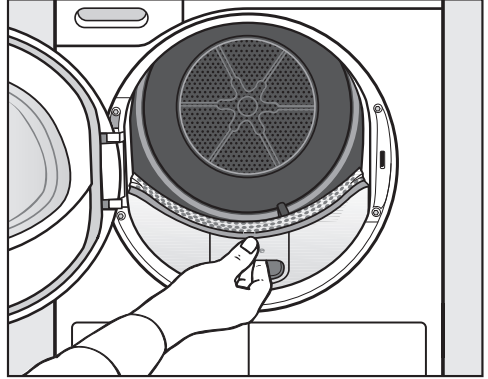
The intensity of the fragrance will be diminished if the fluff filters and the plinth filter are not cleaned.

- Remove the fragrance flacon. See “Fragrance flacon”, “Removing/replacing the fragrance flacon”.

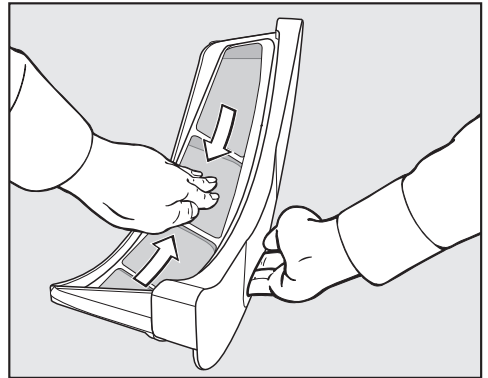
## Removing visible fluff

**Tip:** You can also use a vacuum cleaner so that you can remove the fluff without touching it.

- Open the door.

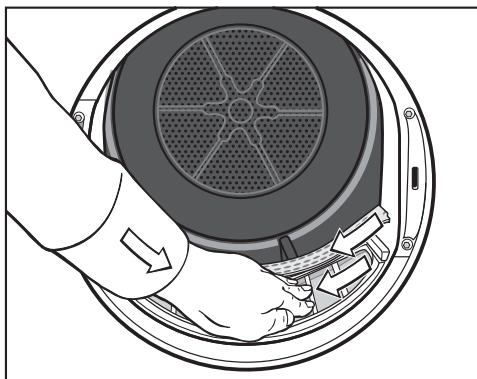


- Pull the upper fluff filter forwards to remove it.



- Remove the fluff (see arrows).

## Cleaning and care

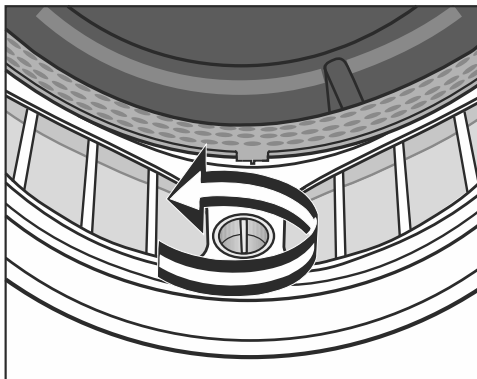


- Remove the fluff from the filter surface of all the fluff filters and the perforated laundry deflector.
- Push the upper fluff filter back into position until it clicks.
- Close the door.

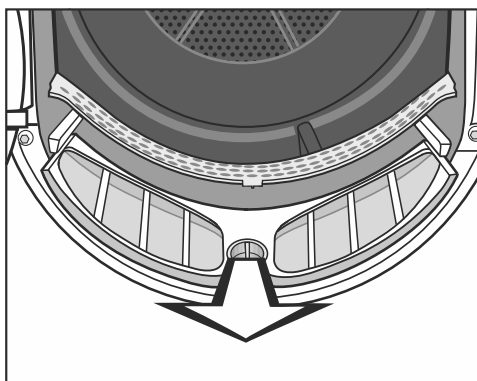
### Cleaning the fluff filters and air flow openings thoroughly

If the drying duration has become longer or the surface of the filters is visibly compacted with fluff, you should carry out the following cleaning procedure.

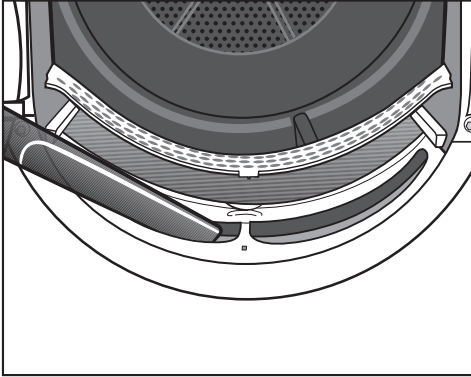
- Remove the fragrance flacon. See "Fragrance flacon".
- Pull the upper fluff filter forwards to remove it.



- Turn the yellow dial on the lower fluff filter in the direction of the arrow (until it reaches the stop position).



- Hold the dial and pull the fluff filter forwards to remove it.



- Use a vacuum cleaner with a long crevice nozzle attached to remove any visible fluff from the upper air flow openings.

Finally, clean the fluff filters with water.

### Cleaning the fluff filters with water

- Wipe the smooth plastic surfaces of the fluff filters with a damp cloth to clean them.
- Flush the filters through under warm running water.
- Shake the fluff filters thoroughly and then dry them carefully.

Ensure the filters are dry before replacing them. Wet filters could cause operational faults.

- Push the lower fluff filter in completely and lock it with the yellow dial.
- Push the upper fluff filter in completely.
- Close the door.

## Cleaning and care

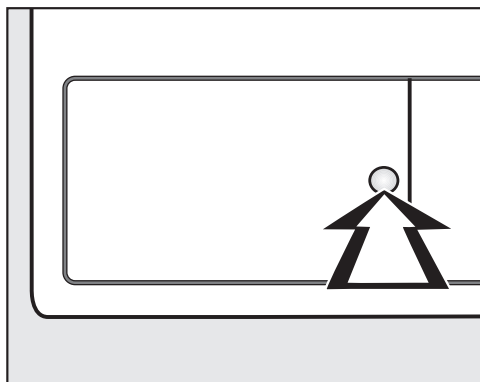
### Cleaning the plinth filter

Clean the plinth filter when the programme running time is longer than usual or if the following message lights up in the display: Clean the plinth filter.

See 

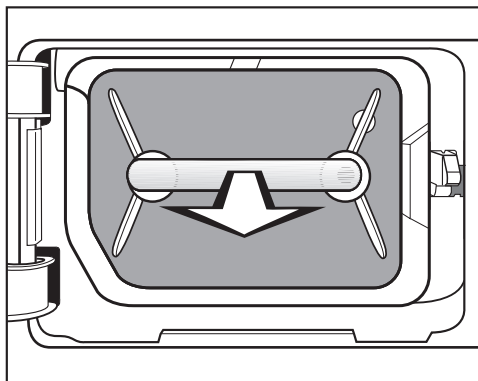
- To clear the message, confirm with OK.

### Removing the plinth filter



- Press the round, indented area on the heat exchanger access panel to open it.

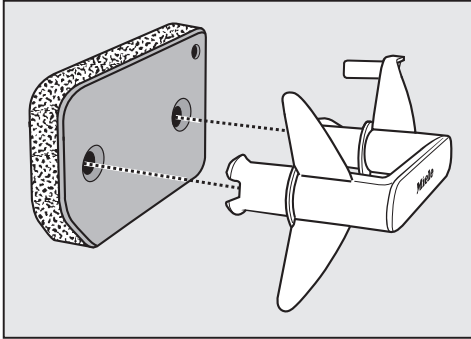
The panel will spring open.




- Pull the plinth filter out by the handle.

The right-hand guide pin comes out when the plinth filter is removed. The guide pin prevents the access panel from closing without the plinth filter.

## Cleaning the plinth filter

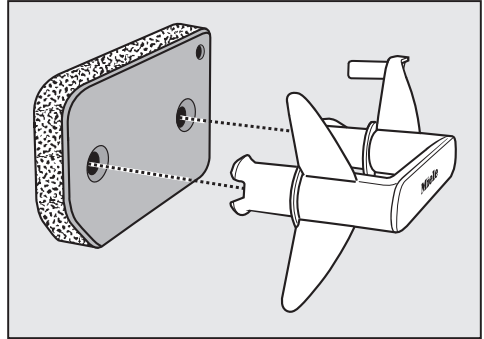


- Pull the handle out of the plinth filter.
- Clean the plinth filter thoroughly under running water.
- Squeeze the plinth filter very carefully several times as you rinse it.
- Rinse the plinth filter until all visible residues have been removed.
- Use a damp cloth to remove any fluff from the handle.

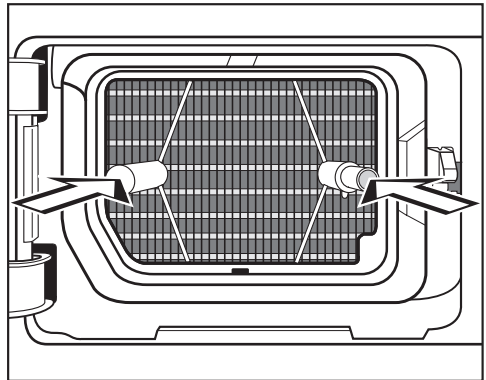
 **Damage caused by a damaged or worn plinth filter.**

The heat exchanger will clog up if the plinth filter is not in good working order. This can cause a fault.

Check the plinth filter following the instructions provided in “Problem solving guide – Replacing the plinth filter”. Replace the plinth filter if necessary.



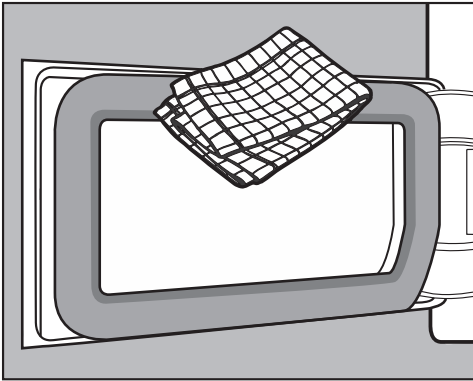
- Fit the plinth filter back on the handle. Make sure it is the correct way round.



- Push the plinth filter in completely. This will push in the right-hand guide pin at the same time.

# Cleaning and care

## Cleaning the plinth filter access panel



- Use a damp cloth to remove any fluff. Make sure that you do not damage the rubber seal when doing this.
- Close the heat exchanger access panel.

**⚠** Damage or ineffective drying if drying takes place without a plinth filter or when the heat exchanger access panel is open.

An excessive accumulation of fluff can damage the tumble dryer. If the system is not leak-tight, this can make drying ineffective.

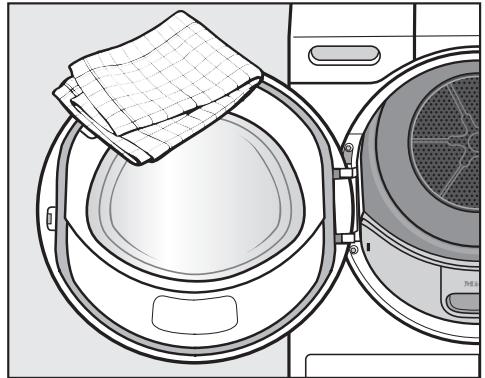
Only operate the tumble dryer with the plinth filter fitted and the heat exchanger access panel closed.

## Cleaning the dryer

Disconnect the tumble dryer from the electrical supply.

**⚠** Damage due to the use of unsuitable care products.

Unsuitable care products could damage plastic surfaces and other parts. Do not use any solvents, abrasive cleaners, glass cleaners, or all-purpose cleaners.



- Clean the tumble dryer and the seal on the inside of the door with a slightly damp soft cloth and a mild solution of washing-up liquid and water.
- Dry all parts with a soft cloth.



## Problem solving guide

Many malfunctions and faults that can occur in daily operation can be easily remedied. Time and money will be saved because a service call will not be needed.





The following guide may help you to find the reason for a malfunction or a fault, and to correct it.

Some of the messages in the display are more than one line long. Touch the  $\vee$  or  $\wedge$  sensor to read them in full.







### The display indicates the following messages or faults

| Message   | Cause and remedy   |
|---|--|
| 000 lights up after switching on.   | <p>Access via a code has been activated.</p> <ul style="list-style-type: none"> <li>■ Enter the code and confirm the entry. Deactivate the code if you do not wish this message to appear in the display the next time the machine is switched on.</li> </ul>  |
| Finish/Cooling down   | <p>The laundry will be cooled down at the end of the programme.</p> <ul style="list-style-type: none"> <li>■ Either remove the laundry and spread it out to cool down or leave it in the tumble dryer to cool down during the cooling phase.</li> </ul>  |
| <p><b>i</b> Clean the plinth filter. See  lights up at the end of a programme.</p> | <p>The tumble dryer is not working correctly or economically. Possible causes could be clogging caused by fluff or detergent residue.</p> <ul style="list-style-type: none"> <li>■ Please see “Cleaning and care” for notes on cleaning.</li> <li>■ Clean the fluff filters.</li> <li>■ Also check the plinth filter and clean it if necessary.</li> <li>■ To switch off the message: confirm OK.</li> </ul> |
|   | <p>You can influence when the Clean the plinth filter. See  message lights up.</p> <ul style="list-style-type: none"> <li>■ To do this, follow the instructions in “Airways indicator – Settings”.</li> </ul>   |

## Problem solving guide

| Message  | Cause and remedy   |
|--|--|
| <p> Clean the plinth filter. See  <b>lights up after a programme has been cancelled.</b></p>  | <p>The system has been clogged by fluff or detergent residue.</p> <ul style="list-style-type: none"> <li>■ To switch off the message: confirm OK.</li> <li>■ Clean all fluff filters and the plinth filter.</li> </ul> <p>Please see “Cleaning and care” for notes on cleaning.</p> <ul style="list-style-type: none"> <li>■ Check that the fluff filters and the plinth filter are free from damage and in good working order.</li> </ul> <p>If all of the fluff filters are damaged, out of shape or can no longer be cleaned, they must be replaced. “Problem solving guide – Replacing the plinth filter” contains information about when a plinth filter that is no longer in good working order has to be replaced.</p>  |
| <p> Clean the plinth filter. See  <b>continues to light up after a programme has been cancelled, despite thorough cleaning.</b></p> | <p>The plinth filter looks clean after thorough cleaning. However, the programme terminates and the error message appears again. It is likely that there is still underlying residue that could not be removed.</p> <ul style="list-style-type: none"> <li>■ To switch off the message: confirm OK.</li> <li>■ Check for the possible causes described below.</li> </ul> <p>The heat exchanger is clogged.</p> <ul style="list-style-type: none"> <li>■ Check the heat exchanger. Follow the instructions in “Problem solving guide – Checking the heat exchanger”.</li> </ul> <p>The plinth filter is clogged further down.</p> <ul style="list-style-type: none"> <li>■ Check the plinth filter. Follow the instructions described in “Problem solving guide – Replacing the plinth filter”.</li> <li>■ If the plinth filter is not out of shape or damaged, you can reactivate it in a washing machine. Follow the instructions described in “Problem solving guide – Reactivating the plinth filter”.</li> </ul> |

## Problem solving guide

| Message  | Cause and remedy   |
|--|--|
|  Empty container.<br>See  <b>lights up after a programme has been cancelled</b>   | <p>The condensed water container is full or there is kink in the drain hose.</p> <ul style="list-style-type: none"> <li>■ Empty the condensed water container.</li> <li>■ Check the drain hose.</li> </ul> <p>To switch the fault message off:</p> <ul style="list-style-type: none"> <li>■ Open and close the door while the dryer is switched on or switch the dryer off and back on again.</li> </ul> |
|  Blockage detected.<br>See  <b>lights up after a programme has been cancelled</b> | <p>The laundry is unevenly distributed or has rolled up.</p> <ul style="list-style-type: none"> <li>■ Open the door and loosen the laundry. Remove a few items if necessary.</li> <li>■ Switch the dryer off and then on again.</li> <li>■ Start a programme.</li> </ul>   |
|   Service Fault F<br>XXX <b>lights up after a programme has been cancelled.</b>   | <p>There is no obvious cause.</p> <ul style="list-style-type: none"> <li>■ Switch the dryer off and then on again.</li> <li>■ Start a programme.</li> </ul> <p>If the programme terminates again with the same error message, then there is a fault. Contact Miele.</p>  |

# Problem solving guide

## Unsatisfactory drying results

| Problem  | Cause and remedy  |
|--|---|
| <b>The laundry is not sufficiently dry.</b>  | <p>The load consisted of different types of fabric.</p> <ul style="list-style-type: none"><li>■ Finish drying using the <i>Warm air</i> programme.</li><li>■ Select a more suitable programme next time.</li></ul> <p>Tip: You can alter the residual moisture level for some programmes. See “Settings”.</p>   |
| <b>Laundry or feather filled pillows smell after drying</b>                            | <p>The laundry was washed with insufficient detergent<br/>Feathers are a natural product and this is quite normal.</p> <ul style="list-style-type: none"><li>■ Laundry: use sufficient detergent next time.</li><li>■ Pillows: take out of the tumble dryer and air them.</li><li>■ Use a fragrance flacon (available as an optional accessory) for your favourite fragrance.</li></ul> |
| <b>Items made of synthetic fibres are charged with static electricity after drying</b> | <p>Synthetic fibres tend to attract static charge.</p> <ul style="list-style-type: none"><li>■ Static charge can be reduced by adding a fabric conditioner to the final rinse in the washing programme.</li></ul>   |
| <b>There is a build-up of fluff</b>  | <p>Fluff is principally the result of friction when garments are being worn and to some extent when they are being washed. Machine drying hardly causes any fluff to form.</p> <p>Fluff is collected by the fluff filters and the plinth filter and can be removed easily.</p> <ul style="list-style-type: none"><li>■ See “Cleaning and care”.</li></ul>                               |


## The drying cycle duration is very long

| Problem  | Cause and remedy   |
|--|--|
| <p><b>The drying process goes on too long or even switches off.*</b></p> | <p>The room where the tumble dryer is located is too warm.</p> <ul style="list-style-type: none"> <li>■ Ventilate the room thoroughly.</li> </ul>  |
|  | <p>Detergent residues, hair and fine fluff can clog the filters.</p> <ul style="list-style-type: none"> <li>■ Clean the fluff filters and the plinth filter.</li> <li>■ Remove visible fluff from the heat exchanger.</li> </ul>   |
|  | <p>The laundry is unevenly distributed or has rolled up. The drum is too full.</p> <ul style="list-style-type: none"> <li>■ Disentangle the laundry and remove a few items.</li> <li>■ Start a programme.</li> </ul>   |
|  | <p>The bottom right grille is blocked.</p> <ul style="list-style-type: none"> <li>■ Move any objects, such as a laundry basket, away from the dryer.</li> </ul>  |
|  | <p>The laundry is too damp.</p> <ul style="list-style-type: none"> <li>■ Spin using a higher spin speed in the washing machine.</li> </ul>   |
|  | <p>Metallic components, e.g. zips, have prevented the tumble dryer from registering the correct laundry moisture level.</p> <ul style="list-style-type: none"> <li>■ Open any zips next time.</li> <li>■ If the problem recurs, dry these items using the <i>Warm air</i> timed drying programme.</li> </ul> |

\* Switch the tumble dryer off and on again before starting a new programme.

# Problem solving guide

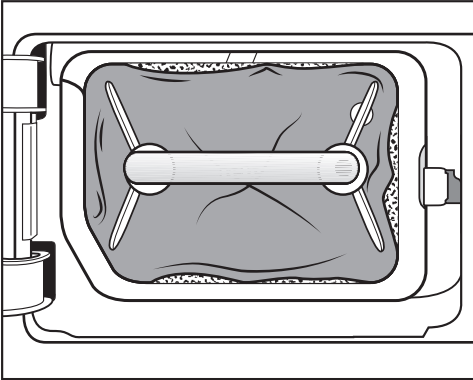
## General problems with the tumble dryer

| Problem   | Cause and remedy  |
|---|---|
| <b>You can hear operating noises (buzzing/humming).</b>                                 | This is not a fault.<br>The compressor (heat pump) is operating.<br>■ No action required. These noises are quite normal and can be heard when the compressor is operating.  |
| <b>A programme does not start</b>   | No obvious cause.<br>■ Connect the tumble dryer to the mains<br>■ Turn on the tumble dryer<br>■ Close the door<br>■ Check whether the mains fuse has tripped<br><hr/> Has there been a power cut? When power is restored any previously running programme will restart automatically. |
| <b>The display is dark and the Start/Add laundry sensor control is flashing slowly.</b> | The display has switched off automatically to save energy (Standby mode).<br>The drum will turn at intervals when the tumble dryer is in the anti-crease phase.<br>■ Press any control. This switches Standby off.  |
| <b>The dryer is switched off at the end of the programme.</b>                           | The tumble dryer switches off automatically. This is not a fault, but a normal function.  |
| <b>The display is in a different language.</b>  | A different language has been selected in “Settings, Language  ”.<br>■ Set the language you want. The flag symbol serves as a guide.   |
| <b>The interior drum lighting does not come on.</b>                                     | Not a fault. The drum lighting switches off automatically in the following cases:<br>If the door is closed.<br>If the door remains open for an extended period of time.   |

## Replacing the plinth filter

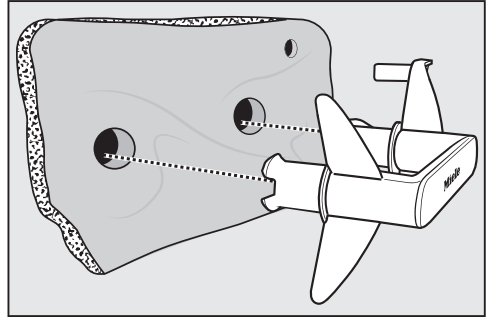
The heat exchanger can clog up. Replace the plinth filter immediately if you see the following signs of wear before or after cleaning (optional accessory).

### Poor fit



The edges of the plinth filter do not sit properly and the plinth filter is out of shape. Fluff will blow into the heat exchanger unfiltered through edges that do not sit properly. This will, in time, cause a blockage in the heat exchanger.

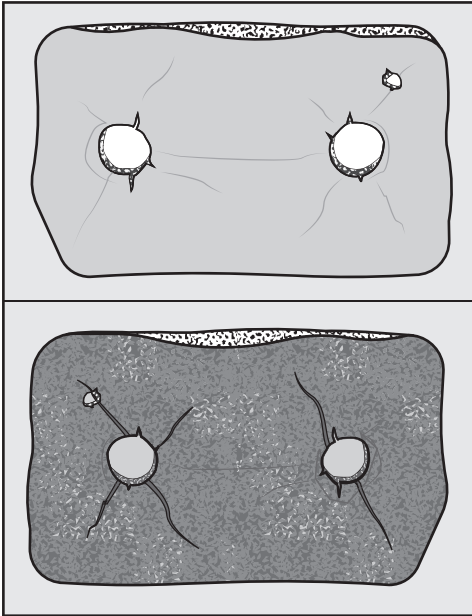
### Deformations



Deformations indicate that the filter has become blocked and worn by continuous use.

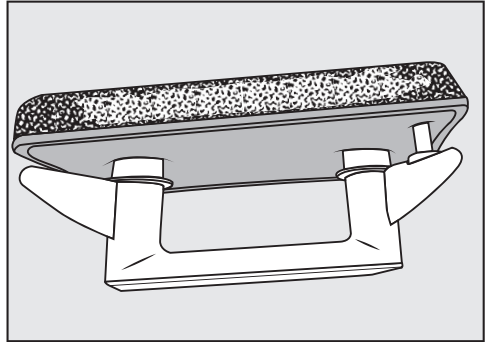
# Problem solving guide

## Cracks, tears, indentations



Fluff will blow into the heat exchanger through cracks and tears. This will, in time, cause a blockage in the heat exchanger.

## White residues or residues of other colours



These residues arise from laundry fibres and traces of detergent components. They can be found on the front and side edges of the plinth filter. In extreme cases, they can form stubborn crust. Residues are a sign that the plinth filter no is longer a snug fit at the sides, even if it appears to be perfect: fluff is getting in unfiltered at the edges.

Reactivate the plinth filter. If these residues appear on the plinth filter again soon after cleaning, the plinth filter must be replaced.

## Reactivating the plinth filter


You can reactivate one or more soiled plinth filters in a washing machine. You will then be able to use the plinth filter again.

Prior to reactivation, check that the plinth filter is in good order. Check the plinth filter following the instructions provided in “Problem solving guide – Replacing the plinth filter”. Replace the plinth filter if it has worn out.

- Wash the plinth filter(s) separately, not with any laundry items. Do not add any detergent.
- Select a short wash programme with a maximum temperature of 40 °C and a maximum spin speed of 600 rpm.

You can re-insert the plinth filter once the wash and spin cycles are complete.

## Checking the heat exchanger


 Risk of injury from sharp cooling fins.

You could cut yourself.

Do not touch the cooling fins with your hands.

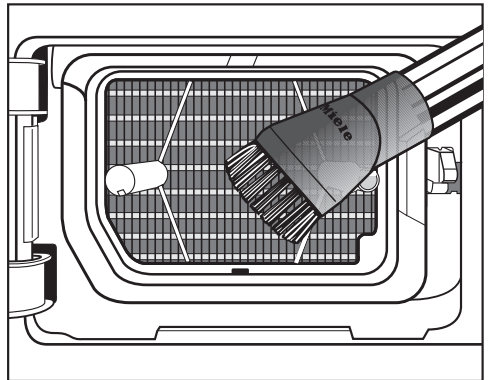
- Look to see if fluff has accumulated.

Remove any fluff you can see.

 Damage due to incorrect cleaning of the heat exchanger.

The tumble dryer will not dry if the cooling fins are damaged or bent.

Clean using a vacuum cleaner with a suction brush attached. Only pass the vacuum cleaner brush over the heat exchanger cooling fins lightly, without applying any pressure.



- Use a vacuum cleaner to remove fluff and residues.

# Service

## Contact in the event of a fault

In the event of any faults which you cannot remedy yourself, please contact your Miele dealer or the Miele Customer Service Department.

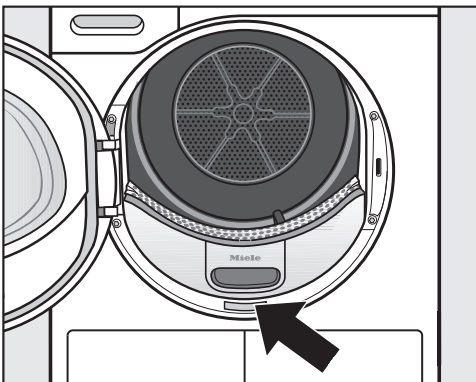
You can book a Miele Customer Service Department call-out online at [www.miele.com/service](http://www.miele.com/service).

Contact information for the Miele Customer Service Department can be found at the end of this document.

Please quote the model identifier and serial number of your appliance (Fabr./SN/Nr.) when contacting the Miele Customer Service Department. This information can be found on the data plate.

Please note that telephone calls may be monitored and recorded for training purposes and that a call-out charge will be applied to service visits where the problem could have been resolved as described in this booklet.

The data plate is visible when the door is open.



## Optional accessories

Optional accessories for this tumble dryer are available from Miele or from your Miele dealer.

You also can order these and many other useful products from the Miele online shop.

### Dryer basket

The dryer basket enables items which must not be subjected to mechanical action to be dried or aired.

### Fragrance flacon

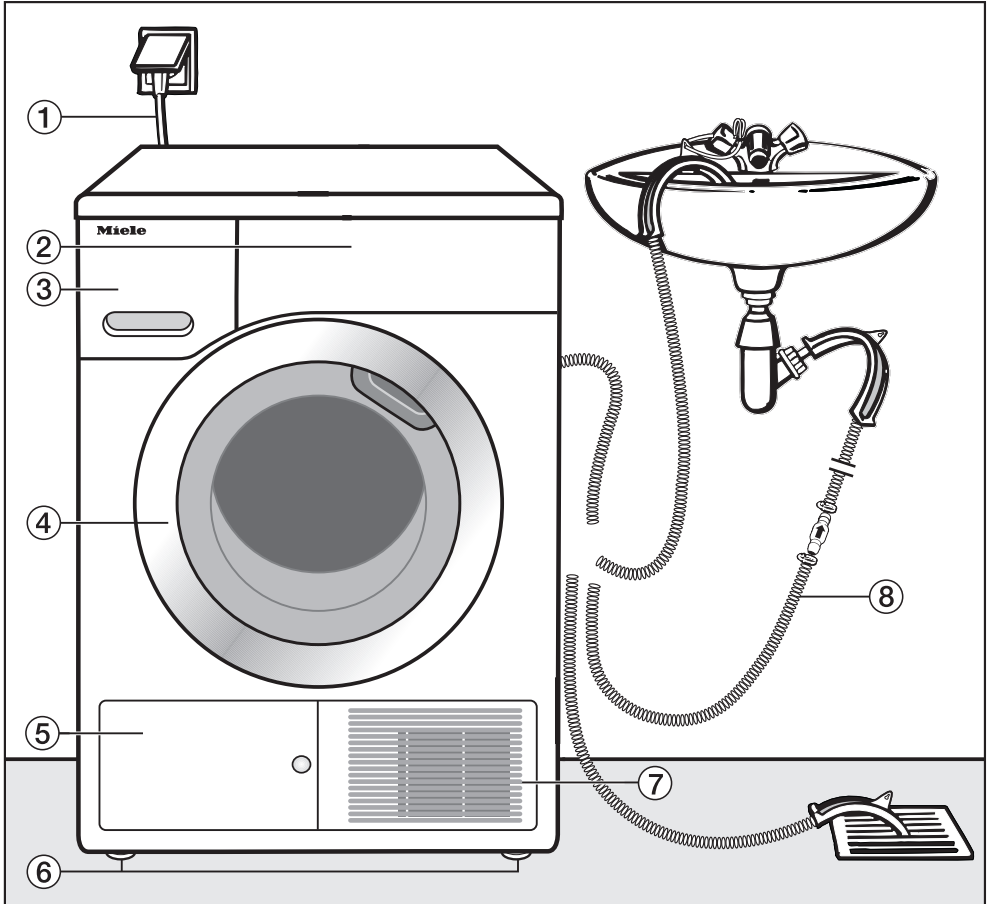
A fragrance flacon can be used in your tumble dryer to add a pleasant fragrance to your laundry.

## Warranty

For information on the appliance warranty specific to your country please contact Miele. See back cover for address.

In the UK, your appliance warranty is valid for 2 years from the date of purchase. However, you must activate your cover by calling 0330 160 6640 or registering online at [www.miele.co.uk](http://www.miele.co.uk).

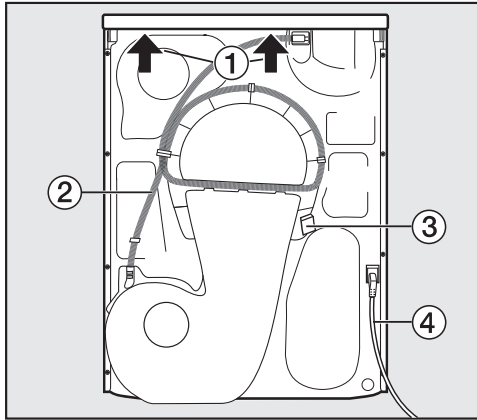
## Front view



- ① Mains connection cable
- ② Control panel
- ③ Condensed water container
  - empty after every drying cycle
- ④ Door
  - do not open during drying
- ⑤ Heat exchanger access panel
  - do not open during drying
- ⑥ Four height adjustable screw feet
- ⑦ Cool air intake grille
  - do not obstruct with a laundry basket or other objects
- ⑧ Hose for external drainage of condensed water


# Installation

## Rear view



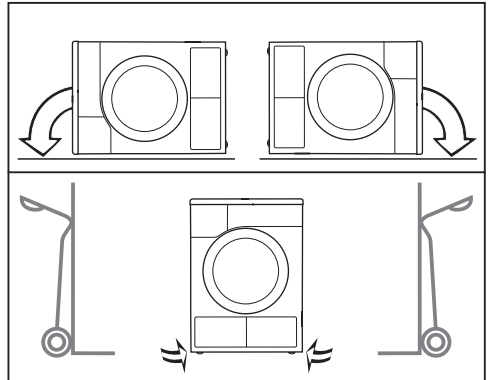
- ① Protruding lid for holding when moving the tumble dryer (see arrows)
- ② Drain hose for condensed water
- ③ Hook for winding the mains cable around during transport
- ④ Mains connection cable

## Transporting the tumble dryer

 Danger of injury to people and damage to property caused by moving the appliance incorrectly.


If the tumble dryer tips up there is a danger of injury to people and damage to property.

Ensure that the tumble dryer is stable during transportation.



- If the tumble dryer is being transported on its side, it must be tipped onto its left or right side.
- If the tumble dryer is being transported upright and you are using a hand truck, you must transport it with its left or right side resting on the truck.

## Transporting the tumble dryer to its installation site

 Make sure the fixings at the back of the lid are secure.

Otherwise there is a danger of the lid being pulled off when carrying the appliance.

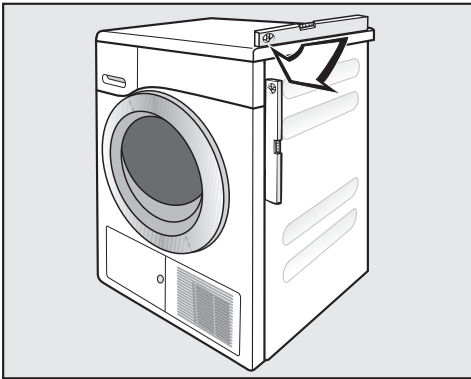
Before carrying the appliance check that the lid is secure where it protrudes at the back of the appliance.

- Carry the tumble dryer by the front feet and by the lid where it protrudes at the back of the appliance.

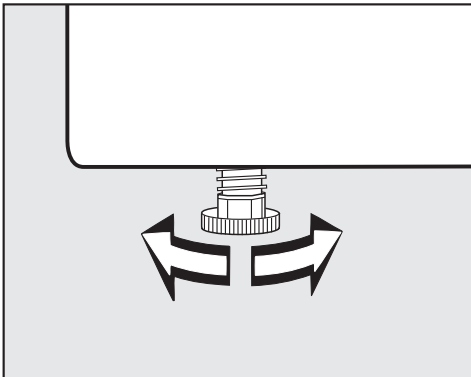
## Installation

### Levelling the dryer

Ensure that no closeable door, sliding door, or an oppositely hinged door is installed that would hinder the door of the dryer being opened in any way.



The dryer must stand perfectly level to ensure safe and proper operation.



The screw feet can be adjusted to compensate for unevenness in the floor.

### Downtime after installation

⚠ Damage to the tumble dryer by switching it on too soon.

This can damage the heat pump.

After setting up the tumble dryer wait for at least one hour before switching it on.

### Ventilation

The cool air intake at the front of the tumble dryer must not be blocked or covered. This would hinder a sufficient intake of cool air for the heat exchanger.

Do not block the gap between the bottom of the tumble dryer and the floor with plinth facings, deep pile carpet etc. This would hinder a sufficient flow of air to the tumble dryer.


The hot air that is blown out from the heat exchanger warms the room air. Ensure sufficient ventilation of the room: e.g., open the window. The drying time will otherwise take longer (higher energy requirement).

### Before moving the tumble dryer again (e.g. when moving house)

After each use a small quantity of condensed water will collect in the area of the pump. This water can run out if the tumble dryer is tipped up when it is being moved. Recommendation: run the *Warm air* programme for approximately 1 minute before moving the tumble dryer. Any remaining condensed water will then be fed into the condensed water container or out through the drain hose.

# Installation

## Additional installation requirements

 Risk of injury from an electrical shock when the appliance lid is removed.

There is a risk of electric shock because electrically charged components in the dryer are accessible with the lid removed.

For safety reasons, the tumble dryer must be disconnected from the electricity supply.

## Building under a continuous worktop or in a cabinet

Appliance defect due to a build-up of heat.

Make sure there is adequate room for warm air from the dryer to be directed away.

- The electrical socket must be located in an accessible position near the tumble dryer.
- Drying durations may increase slightly.

Avoid a build-up of heat:

- Adjust the screw feet so that there is a gap of at least 20 mm between the floor and the bottom of the dryer.
- Create a gap for the dryer in the kitchen furniture plinth facing.
- Create ventilation gaps in the kitchen cabinet.

## Slot-in

This tumble dryer is suitable for pushing under a worktop if there is space to do this without removing the lid.

## Optional accessories

### – Building-under kit

A building under kit is required if the lid of the tumble dryer needs to be removed in order to build it under a worktop.

It must be installed/dismantled by a suitably qualified fitter.

The cover plate included in the building-under kit replaces the appliance's lid. The cover plate has to be fitted for electrical safety!

Fitting instructions are supplied with the building-under kit.

### – Washer-dryer stack

The tumble dryer can be combined with a Miele washing machine in a washer-dryer stack. The appropriate Miele washer-dryer stacking kit is required.

### – Plinth

The tumble dryer can be fitted on a plinth with drawer (please note the plinth may not be available in all countries).

## External condensed water outlet

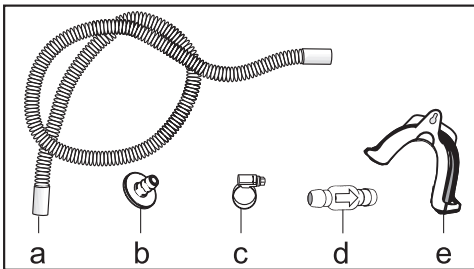
### Note

When drying is in progress, condensed water is pumped into the condensed water container through the drain hose which is located at the back of the dryer.

The condensed water can also be externally drained away via the drain hose at the back of the dryer. This means that the condensed water container no longer has to be emptied.

Drain hose length: 1.49 m  
Max. delivery head: 1.00 m  
Max. drain hose length: 4.00 m

### Drainage accessories



- Supplied: Adapter (b), Hose clip (c), Hose holder (e);
- Available to purchase: “Non-return valve” kit for connection to an external water connection. Non-return valve (d), Hose extension (a) and Hose clips (c) are supplied.

## Installation conditions requiring a non-return valve

⚠ Danger of condensed water back-flow.

Water could flow back into the tumble dryer or be drawn into it. Back-flow water could damage the tumble dryer and also the room in which it is located.

The non-return valve should be used if the end of the hose is immersed in water, or if other water connections are installed.

Maximum delivery head with non-return valve fitted: 1.00 m

### Installation conditions requiring the fitting of a non-return valve:

- Drainage into a sink or floor gully where the end of the hose is immersed in water.
- Connection to a sink drain outlet.
- Connection to a drainage system already in use by another appliance, e.g. a dishwasher or washing machine.

If the non-return valve is incorrectly fitted the appliance will not drain. The non-return valve has to be fitted with the arrow on it pointing in the direction of flow.

# Installation

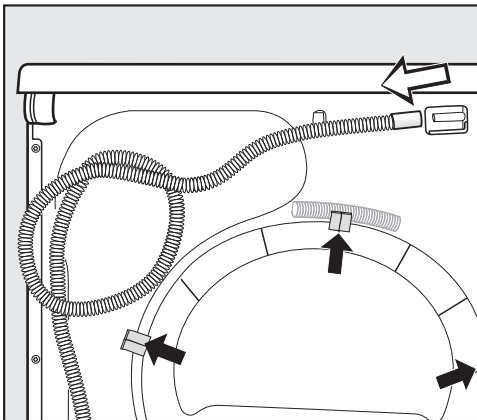
## Arranging the drain hose

⚠ Damage to the drain hose through incorrect handling.

The drain hose can suffer damage and leak.

Do not pull on the drain hose and do not stretch it or allow it to become kinked.

There will be a small amount of residual water left in the drain hose. Have a container ready to collect this.

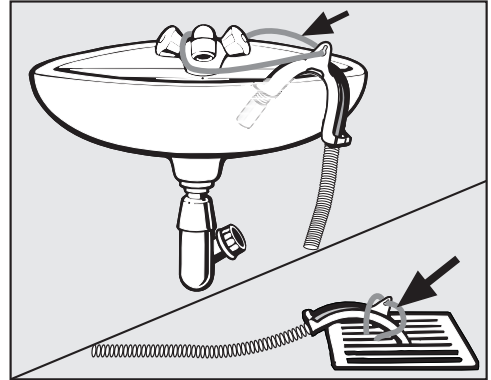


- Pull the drain hose off its connection (light arrow).
- Pull the hose out of the holders (dark arrow) and unwind it.
- Allow any residual water to run into a container.

## Examples

### Drainage into a sink or floor gully

Use the hose holder to secure the drain hose.



⚠ Water damage.

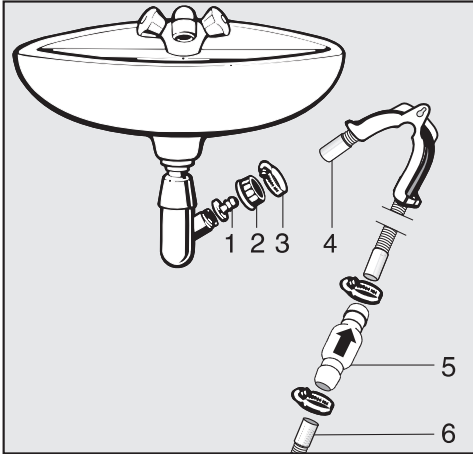
Should the end of the hose come loose, overflowing water can cause damage.

Secure the drain hose carefully (e.g., by tying it) to make sure it cannot slip.

The non-return valve can be fitted in the end of the hose.

## Direct connection to a sink drain outlet

Use the hose holder, the adapter, the hose clips and the non-return valve (available to purchase).



1. Adapter
2. Nut
3. Hose clip
4. End of the hose (secured with the hose holder)
5. Non-return valve
6. Tumble dryer drain hose

- Fit adapter **1** to the sink drain outlet using nut **2**.  
The nut is usually fitted with a washer which must be removed.
- Attach the end of the hose **4** to adapter **1**.
- Use the hose holder.
- Use a screwdriver to tighten hose clip **3** up close to the nut.
- Fit non-return valve **5** to tumble dryer drain hose **6**.

Non-return valve **5** has to be fitted so that the arrow points in the direction of flow (i.e. towards the sink).

- Secure the non-return valve using hose clips.


# Installation

---


## Electrical connection

The tumble dryer is supplied with a mains cable with moulded plug ready for connection to a suitable earthed socket.

The socket must be easily accessible after the tumble dryer has been installed. If the socket is not easily accessible, ensure that a suitable means of disconnection is provided on the installation side for each pole.

 Risk of fire from overheating. Connecting the tumble dryer to a multi-socket adapter or to an extension lead can overload the mains connection cable. For safety reasons, do not use an extension cable or multi-socket adapter.

The electrical system must comply with local and national safety regulations (BS 7671 in the UK).

For safety reasons, we recommend using a type A  residual current device (RCD) in the relevant electrical installation for connecting the tumble dryer.

If the mains connection cable is damaged, it must only be replaced with a specific mains connection cable of the same type (available from the Miele Customer Service Department). For safety reasons, such replacement may only be carried out by a qualified specialist or the Miele Customer Service Department.

These operating instructions and the data plate indicate the nominal power consumption and the appropriate fuse rating. Compare this information with the data of the on-site electrical connection.

If in any doubt, consult a qualified electrician.

Temporary or permanent operation on an autonomous power supply system or a power supply system that is not synchronised with the mains power supply (e.g. island networks, back-up systems) is possible. A prerequisite for operation is that the power supply system complies with the specifications of EN 50160 or an equivalent standard. The function and operation of the protective measures provided in the domestic electrical installation and in this Miele product must also be maintained in isolated operation or in operation that is not synchronised with the mains power supply, or these measures must be replaced by equivalent measures in the installation. As described, for example, in the current version of BS OH-SAS 18001-2 ISO 45001.



## Technical data

|                                       |                                |
|---------------------------------------|--------------------------------|
| Height                                | 850 mm                         |
| Width                                 | 596 mm                         |
| Depth                                 | 636 mm                         |
| Depth with door open                  | 1054 mm                        |
| Height for building under             | 820 mm (+8/-2 mm)              |
| Width for building under              | 600 mm                         |
| Depth for building under              | 600 mm                         |
| Suitable for pushing under a worktop  | Yes                            |
| Suitable for stacking                 | Yes                            |
| Weight                                | Approx. 62 kg                  |
| Drum volume                           | 120 litres                     |
| Load size                             | 9.0 kg (weight of dry laundry) |
| Capacity of condensed water container | 4.8 litres                     |
| Hose length                           | 1.49 m                         |
| Maximum delivery head                 | 1.00 m                         |
| Maximum drain hose length             | 4.00 m                         |
| Length of connection cable            | 2.00 m                         |
| Voltage                               | See data plate                 |
| Connected load                        | See data plate                 |
| Fuse rating                           | See data plate                 |
| Test certificates awarded             | See data plate                 |
| Energy consumption                    | See "Consumption data"         |
| LEDs                                  | Class 1                        |
| Frequency band                        | 2.4000 GHz – 2.4835 GHz        |
| Maximum transmission power            | < 100 mW                       |

# Technical data

## Data sheet for household tumble driers

In acc. with delegated regulation (EU) No. 392/2012

| MIELE   |                    |
|---|--------------------|
| Model name/identifier   | TEJ665WP           |
| Rated capacity <sup>1</sup>   | 9,0 kg             |
| Type of tumble drier (Air-vented / condenser)   | - / •              |
| Energy efficiency class   |                    |
| A+++ (most efficient) to D (least efficient)  | A+++               |
| Weighted annual energy consumption (AE <sub>c</sub> ) <sup>2</sup>                            | 193 kWh/year       |
| Tumble drier (Automatic / non-automatic)  | • / -              |
| Energy consumption of the standard cotton programme   |                    |
| Energy consumption at full load   | 1,63 kWh           |
| Energy consumption at partial load  | 0,86 kWh           |
| Weighted power consumption in off-mode (P <sub>o</sub> )                                      | 0,20 W             |
| Weighted power consumption in the left-on mode (P <sub>l</sub> )                              | 0,20 W             |
| Duration of the 'left-on' mode (T <sub>l</sub> ) <sup>3</sup>                                 | 15 min             |
| Standard programme to which the information in the label and the fiche relates <sup>4</sup>   | Cottons with arrow |
| Programme time of the 'standard cotton programme'   |                    |
| Weighted programme time   | 160 min            |
| Programme time at full load   | 208 min            |
| Programme time at partial load  | 124 min            |
| Condensation efficiency class <sup>5</sup>  |                    |
| A (most efficient) to G (least efficient)   | A                  |
| Weighted condensation efficiency for the 'standard cotton programme' at full and partial load | 93 %               |
| Average condensation efficiency of the 'standard cotton programme' at full load               | 93 %               |
| Average condensation efficiency of the 'standard cotton programme' at partial load            | 93 %               |
| Sound power level (L <sub>WA</sub> ) <sup>6</sup>   | 64 dB(A) re 1 pW   |
| Built-in  | -                  |

• Yes, standard feature

<sup>1</sup> In kg of cotton laundry for the standard cotton programme at full load.

<sup>2</sup> based on 160 drying cycles of the standard cotton programme at full and partial load, and the consumption of the low-power modes. Actual energy consumption per cycle will depend on how the appliance is used.

- 3 If the household tumble drier is equipped with a power management system.
- 4 This programme is suitable for drying normal wet cotton laundry and is the most efficient programme in terms of energy consumption for cotton.
- 5 If the household tumble drier is a condenser tumble drier.
- 6 For the standard cotton programme at full load.

# Technical data

---

## EU Conformity declaration

Miele hereby declares that this heat-pump tumble dryer complies with Directive 2014/53/EU.

The complete text of the EU declaration of conformity is available from one of the following internet addresses:

- Products, Download from [www.miele.ie](http://www.miele.ie)
- For service, information, operating instructions etc: go to [www.miele.ie/domestic/customer-information-385.htm](http://www.miele.ie/domestic/customer-information-385.htm) and enter the name of the product or the serial number


## UK Conformity declaration

Miele hereby declares that this heat-pump tumble dryer complies with UK Radio Equipment Regulations 2017, as amended.

The complete text of the UK declaration of conformity is available from one of the following internet addresses:

- Products, Download from [www.miele.co.uk](http://www.miele.co.uk)
- For service, information, operating instructions etc: go to [www.miele.co.uk](http://www.miele.co.uk) and enter the name of the product or the serial number

# Consumption data

|  | Load size <sup>1</sup> | Final spin speed in washing machine | Residual moisture | Energy | Duration |
|--|------------------------|-------------------------------------|-------------------|--------|----------|
|  | kg                     | rpm                                 | %                 | kWh    | min      |
| <b>Cottons</b>  <sup>2</sup>                    | 9.0                    | 1000                                | 60                | 1.63   | 208      |
|  | 4.5                    | 1000                                | 60                | 0.86   | 124      |
| <b>Cottons Normal</b>  | 9.0                    | 1200                                | 53                | 1.45   | 189      |
|  | 9.0                    | 1400                                | 50                | 1.40   | 179      |
|  | 9.0                    | 1600                                | 44                | 1.25   | 160      |
| <b>Cottons Normal incl. Gentle tumble</b>  | 9.0                    | 1000                                | 60                | 1.70   | 200      |
| <b>Cottons Hand iron</b> ∆∆  | 9.0                    | 1000                                | 60                | 1.25   | 147      |
|  | 9.0                    | 1200                                | 53                | 1.10   | 129      |
|  | 9.0                    | 1400                                | 50                | 1.00   | 120      |
|  | 9.0                    | 1600                                | 44                | 0.85   | 102      |
| <b>Minimum iron Normal</b>   | 4.0                    | 1200                                | 40                | 0.50   | 70       |
| <b>Minimum iron Normal incl. Gentle tumble</b>   | 4.0                    | 1200                                | 40                | 0.50   | 72       |
| <b>Delicates Normal</b>  | 2.5                    | 800                                 | 50                | 0.55   | 75       |
| <b>Woollens handcare</b>   | 2.0                    | 1000                                | 50                | 0.02   | 5        |
| <b>Shirts Normal</b>   | 2.0                    | 600                                 | 60                | 0.45   | 65       |
| <b>Express Normal</b>  | 4.0                    | 1000                                | 60                | 0.85   | 110      |
| <b>Denim Normal</b>  | 3.0                    | 900                                 | 60                | 1.00   | 125      |
| <b>Proofing Normal</b>   | 2.5                    | 800                                 | 50                | 0.90   | 120      |
| <sup>1</sup> Weight of dry laundry   |                        |                                     |                   |        |          |
| <sup>2</sup> Test programme in accordance with Regulation 392/2012/EU for energy labelling, measured in accordance with EN 61121 |                        |                                     |                   |        |          |
| All data was calculated using EN 61121 unless otherwise stated.  |                        |                                     |                   |        |          |

**Consumption data can vary from the nominal values given above depending on the size of the load, types of textiles, residual moisture levels after spinning and fluctuations in the electricity supply, or when water hardness levels differ from specified values.**

The consumption data displayed by the tumble dryer may differ from the consumption data listed in the table. The differences are due to how data is calculated on the tumble dryer. For instance, when the programme running time is calculated, it is influenced by the residual moisture and composition of the laundry load, which – in turn – has an impact on the amount of energy required.

# Settings

## Accessing the settings menu

You can alter the tumble dryer's electronics to suit changing requirements with the settings. The settings can be altered at any time.

- Turn the programme selector to *Further programmes*/⚙️.



- Touch the  $\wedge$  sensor control once.

The following appears in the display:



- Confirm with the *OK* sensor control.



You are now in the *Settings* submenu.

## Selecting settings

- Touch the  $\vee$  or  $\wedge$  sensor until the setting you want appears in the display.
  - The  $\vee$  sensor scrolls down the list.
  - The  $\wedge$  sensor scrolls up the list.
- Touch the *OK* sensor to select the setting displayed.

## Changing a setting

- Touching the  $\vee$  or  $\wedge$  sensor will call up the different options for the setting.

For example, you can


- select a value. If the option is marked with a  $\checkmark$  it is active,
- change a bar chart,
- change numbers.
- When the option you want appears in the display, touch the *OK* sensor to activate it.

## Closing the settings menu

- Turn the programme selector.

## Language

The display can be set to appear in one of several different languages.




The flag  after the word Language (Sprache in German) acts as a guide in case a language which is not understood has been set.

The language selected is saved.

## Drying levels

You can alter the drying levels for the *Cottons*, *Minimum iron* and *Automatic* programmes.

### Selection

-  (damper)  
The programme duration is shorter
-  (factory default setting)
-  (drier)  
The programme duration is longer

## Cooling down temp.

The laundry will be cooled down automatically before the end of the programme. The automatic cooling-down phase which takes place before the end of a programme can be set at a cooler level for all the drying level programmes. This means that the cooling phase is extended.

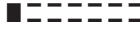


### Selection

- The value is set in increments of 1 °C.
- 55 °C (factory default setting)
  - ...
  - 40 °C

## Welcome tone

The volume for the welcome tone can be set to one of 7 different settings.

### Selection

- Off
-  (quiet)
-  (factory default setting)
-  (loud)

# Settings

## Keypad tone

Each touch of a sensor is confirmed with an audible tone.

### Selection

- Off (factory default setting)
- ■ □ □ □ □ □ □ □ (quiet)
- ■ ■ ■ ■ ■ ■ ■ ■ (loud)

If a selection is not allowed, a negative tone sounds.

## Buzzer volume


The buzzer sounds to let you know the programme has finished. The buzzer can be set to be louder or quieter.

### Selection

- ■ □ □ □ □ □ □ □ (quiet)
- ■ ■ ■ ■ ■ □ □ □ (factory default setting)
- ■ ■ ■ ■ ■ ■ ■ ■ (loud)



## Airways indicator

Fluff should be removed after drying. In addition, this indicator will remind you to clean the filters when a certain amount of fluff has collected in them:

**i** Clean the plinth filter. See   
You can decide at what level of fluff this reminder should be given.

### Selection

You will have an idea of how often this should be done after a few drying programmes.

- Off  
This reminder does not appear. However, if there is a very severe blockage in the ducting, the programme will be cancelled and the error message  Clean the plinth filter. See  will appear in the display regardless of this option.
- Heavy  
The reminder only appears when there is a heavy build-up of fluff.
- Normal (factory default setting)
- Light  
The reminder appears when there is only a small build-up of fluff.

## Conductivity

This setting is only relevant for regions with very soft water.

Very soft water can result in unsatisfactory drying results. You should only select this setting if the water used for washing the laundry is extremely soft with a conductivity reading (electrical conductivity) less than 150  $\mu\text{S}/\text{cm}$ . Contact your local water authority for the conductivity level of your mains water supply.

### Selection

- Normal (factory default setting)
- Low <150ms (only for regions with very soft water)

## Consumption

You can display the total consumption.

### Selection

- Previous programme  
Displays energy consumption in the last programme run
- Total consumption  
Displays the total consumption to date
- Reset function  
Deletes the total consumption to date


# Settings

## Code

The code prevents your dryer being used without your knowledge.

### Selection

- Activate  
The code is 250 and can be activated.  
If the code has been activated, you have to enter the code after switching the dryer on. Otherwise the dryer cannot be operated.
- Deactivate  
For using the dryer without entering the code. This only appears if the code had been activated previously.
- Change  
You can enter a code of your own.

 Make a note of your new code. If you forget the code, the dryer will need to be unlocked by Miele Technical Service.

## Brightness

You can set the brightness of the display, the sensor controls, and the dimmed sensor controls.

### Selection

#### Display

Controls the brightness of the display.

- ■ □ □ □ □ □ □ □ (dark)
- ■ ■ ■ ■ ■ □ □ □ (factory default setting)
- ■ ■ ■ ■ ■ ■ ■ ■ (light)

#### Buttons active

Controls the brightness of the activated sensor controls.

- ■ □ □ □ □ □ □ □ (dark)
- ■ ■ ■ ■ ■ ■ ■ ■ (light)

#### Buttons inactive

Controls the brightness of the sensor controls that can be activated.

- ■ □ □ □ □ □ □ □ (dark)
- ■ ■ ■ ■ ■ ■ ■ ■ (light)

**Tip:** Ensure that there is a discernible difference in brightness between the activated and dimmed sensor controls. This makes it easier to operate the appliance.

## Disp. switch-off stat.

To save energy, the display and sensor controls will go out after 10 minutes. The *Start/Add laundry* button flashes slowly. You can change this setting.

### Selection

- On (default setting)  
The display will go out (after 10 minutes):
  - if a programme is not selected after the dryer has been switched on
  - during the current programme
  - after the end of a programme.
- On (not current pr.)  
The display will go out (as described above) but will remain on while the programme is running.
- Off  
The display will remain on (i.e. it will never go out).

You can switch the display back on by touching any sensor control.

## Memory

The dryer saves the settings that were selected last for a drying programme (drying stage and/or extra option, or the duration for some programmes).

When the programme is chosen again, the saved settings will appear in the display.

### Selection

- Off (factory default setting)
- On

The activation of delay start, the buzzer, or ECO feedback data are not saved.

## Anti-crease

The duration of the anti-crease phase can be altered.

### Selection

- 1 h
- 2 h (factory default setting)

# Settings

---

## Programme info

The programme names and load size, which are lit in the display when the programme is selected with the programme selector, can be switched off.

### Selection

- Off (programme name and load size are not displayed)
- Programme name The load size does not appear in the display.
- Prog. & max load (both are displayed, factory setting)

## Miele@home

Control the networking of your tumble dryer with your home WiFi network.

The following points may appear in the submenu:

- Set up

This message only appears if the tumble dryer has not yet been connected to a WiFi network.

Please refer to “Before using for the first time” for instructions on how to set up the connection.

- Deactivate (Visible if Miele@home is activated)

Miele@home remains set up, the WiFi function is switched off.

- Activate (Visible if Miele@home is deactivated)

The WiFi function is reactivated.

- Connection status (Visible if Miele@home is activated)

The following values are displayed:

- the quality of WiFi reception
- the network name
- the IP address
- Set up again (Visible if set up)

Resets the WiFi login (network) to immediately re-establish a new connection.

- Reset (Visible if set up)

- The WiFi is switched off.
- The WiFi connection will be reset to the factory default setting.

The network configuration should be reset whenever a tumble dryer is being disposed of or sold, or if a used tumble dryer is being put into operation. This is the only way to ensure that all personal data has been removed and the previous owner will no longer be able to access the tumble dryer.

A new connection has to be established in order to use Miele@home again.

## Remote control

The Remote control setting is only visible if the Miele@home setting is set up and activated.

Once the Miele@mobile app has been installed on your mobile device, you can check the status of your tumble dryer from anywhere and start it remotely. You can also control it remotely via the *MobileStart* programme.

You can switch off the Remote control setting if you do not want to operate the tumble dryer with your mobile device.

If Remote control is not switched on, the app can cause the programme to be cancelled.

Use the “Delay start” button to set a time at which you wish to start the tumble dryer and start the delay start (see “Delay start/SmartStart”).

The tumble dryer will then start within the timeframe specified when it receives your signal.

If it has not received a start signal by the latest start time set, the tumble dryer will start automatically.

Remote control is activated by default.

## SmartGrid

The SmartGrid setting is only visible if the Miele@home setting is set up and activated.

This function can be used for starting your tumble dryer automatically at a time when your energy costs are most economical.

Activating SmartGrid gives the *Delay start* sensor a new function. Use the “Delay start” control to set the SmartGrid. The tumble dryer will then start within the timeframe specified when it receives a signal from the energy supplier.

If it has not received a signal from the energy supplier by the latest start time set, the tumble dryer will start automatically (see “Delay start”).

SmartGrid is deactivated as standard.

# Settings

---

## Wash2Dry

You can select the *Wash2Dry* function under *Further programmes*.

### Options

- Off
- On

Wash2Dry is enabled and you will find this function under *Further programmes*.

## RemoteUpdate

The RemoteUpdate function is used for updating the software in your tumble dryer.

RemoteUpdate is activated by default.

If you do not install a RemoteUpdate, you can continue to use your tumble dryer in the usual way. However, Miele recommends installing RemoteUpdates.

### Activation

The RemoteUpdate menu option is only displayed and can only be selected if you have added your tumble dryer to your WiFi network (see “Miele@home” in the “Settings” chapter).

Miele’s RemoteUpdate function can only be used if the tumble dryer is connected to a WiFi network and you have an account in the Miele@mobile app. The tumble dryer must be registered in it.

See the Miele@mobile app for terms and conditions of use.

Some software updates can only be carried out by Miele Service.

## Running a RemoteUpdate

If a RemoteUpdate is available for your tumble dryer, it will be displayed automatically for you.

You can choose to start the RemoteUpdate immediately or wait until later. If you select “Start later”, the prompt to run the RemoteUpdate will be displayed again the next time you switch on your tumble dryer.

The RemoteUpdate can take a few minutes.

Please note the following information about the RemoteUpdate function:

- You will only receive a message when a RemoteUpdate is available.
- Once a RemoteUpdate has been installed, it cannot be undone.
- Do not switch off the tumble dryer during a RemoteUpdate. Otherwise, the RemoteUpdate will be aborted and will not be installed.

## United Kingdom

Miele Co. Ltd., Fairacres, Marcham Road, Abingdon, Oxon, OX14 1TW

Tel: 0330 160 6600, Internet: [www.miele.co.uk/service](http://www.miele.co.uk/service), E-mail: [info@miele.co.uk](mailto:info@miele.co.uk)

### Australia

Miele Australia Pty. Ltd.

ACN 005 635 398

ABN 96 005 635 398

Level 4, 141 Camberwell Road

Hawthorn East, VIC 3123

Tel: 1300 464 353

Internet: [www.miele.com.au](http://www.miele.com.au)

### China Mainland

Miele Electrical Appliances Co., Ltd.

1-3 Floor, No. 82 Shi Men Yi Road  
Jing' an District

200040 Shanghai, PRC

Tel: +86 21 6157 3500

Fax: +86 21 6157 3511

E-mail: [info@miele.cn](mailto:info@miele.cn),

Internet: [www.miele.cn](http://www.miele.cn)

### Hong Kong, China

Miele (Hong Kong) Ltd.

41/F - 4101, Manhattan Place

23 Wang Tai Road

Kowloon Bay, Hong Kong

Tel: (852) 2610 1025

Fax: (852) 3579 1404

Email:

[customerservices@miele.com.hk](mailto:customerservices@miele.com.hk)

Website: [www.miele.hk](http://www.miele.hk)

### India

Miele India Pvt. Ltd.

1st Floor, Copia Corporate Suites,

Commercial Plot 9,

Mathura Road, Jasola,

New Delhi - 110025

E-mail: [customercare@miele.in](mailto:customercare@miele.in)

Website: [www.miele.in](http://www.miele.in)

### Ireland

Miele Ireland Ltd.

2024 Bianconi Avenue

Citywest Business Campus

Dublin 24

Tel: (01) 461 07 10

Fax: (01) 461 07 97

E-Mail: [info@miele.ie](mailto:info@miele.ie)

Internet: [www.miele.ie](http://www.miele.ie)

### Malaysia

Miele Sdn Bhd

Suite 12-2, Level 12

Menara Sapura Kencana

Petroleum

Solaris Dutamas No. 1

Jalan Dutamas 1

50480 Kuala Lumpur, Malaysia

Phone: +603-6209-0288

Fax: +603-6205-3768

### New Zealand

Miele New Zealand Limited

IRD 98 463 631

8 College Hill

Freemans Bay, Auckland 1011

New Zealand

Tel: 0800 464 353

Internet: [www.miele.co.nz](http://www.miele.co.nz)

### Singapore

Miele Pte. Ltd.

29 Media Circle

#11-04 ALICE@Mediapolis

Singapore 138565

sTel: +65 6735 1191

Fax: +65 6735 1161

E-Mail: [info@miele.com.sg](mailto:info@miele.com.sg)

Internet: [www.miele.sg](http://www.miele.sg)

### South Africa

Miele (Pty) Ltd.

63 Peter Place

Bryanston 2194

P.O. Box 69434

Bryanston 2021

Tel: (011) 875 9000

Fax: (011) 875 9035

E-mail: [info@miele.co.za](mailto:info@miele.co.za)

Internet: [www.miele.co.za](http://www.miele.co.za)

### Thailand

Miele Appliances Ltd.

BHIRAJ TOWER at EmQuartier

43rd Floor Unit 4301-4303

689 Sukhumvit Road

North Klongton Sub-District

Vadhana District

Bangkok 10110, Thailand

### United Arab Emirates

Miele Appliances Ltd.

Showroom 1

Eiffel 1 Building

Sheikh Zayed Road, Umm Al Sheif

P.O. Box 114782 - Dubai

Tel. +971 4 3044 999

Fax. +971 4 3418 852

800-MIELE (64353)

E-Mail: [info@miele.ae](mailto:info@miele.ae)

Website: [www.miele.ae](http://www.miele.ae)

**Manufacturer:** Miele & Cie. KG, Carl-Miele-Straße 29, 33332 Gütersloh, Germany

TEJ 665 WP

en-GB

M.-Nr. 12 032 440 / 00