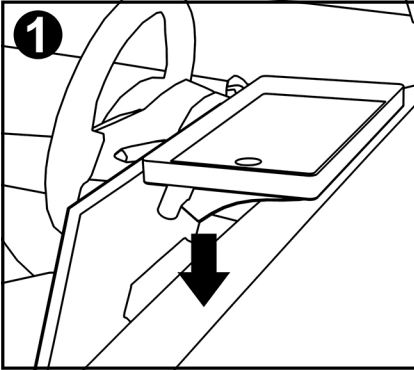


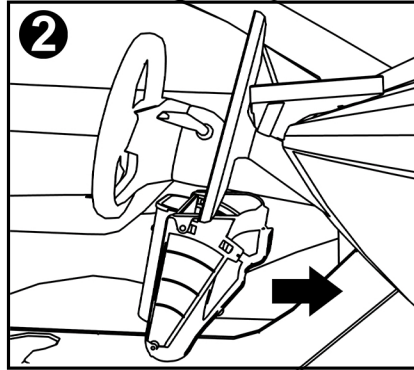
HIDABLE MAGNETIC UNDER-SCREEN ORGANIZER

MODEL Y 2020-2025 / MODEL 3 2017-2023

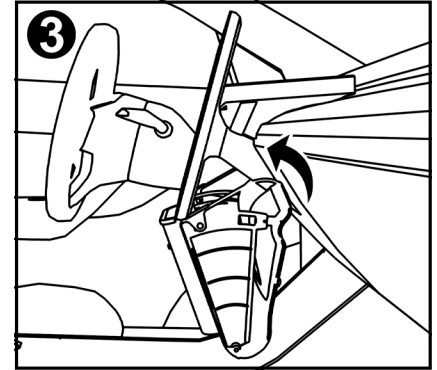
INSTALL



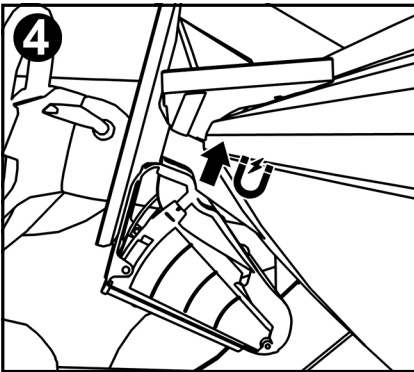
1. Slide the top tray from the gap of the dashboard AC vent to the monitor bracket



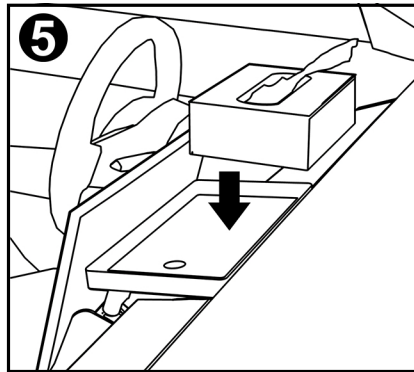
2. Place the under-screen organizer above the wireless charging module at the angle shown in the image



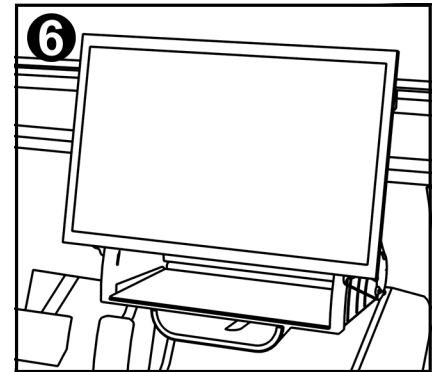
3. Rotate the under-screen organizer upward and lift it



4. Until you hear 'snap' as the magnets engage, indicating the upper and lower components are securely installed

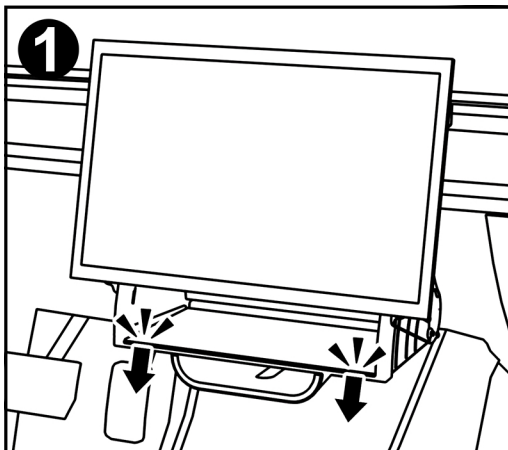


5. Place tissue box on the top tray, another accessory magnet on the top tray and metal plate are for your customized item

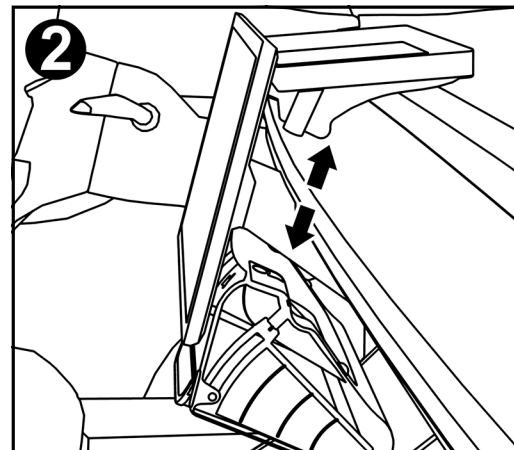


6. Check for any looseness, installation completed

REMOVE



1. Using your hand at the position shown, simultaneously pull down both sides of the under-screen organizer



2. Remove dashboard tray and under-screen organizer