

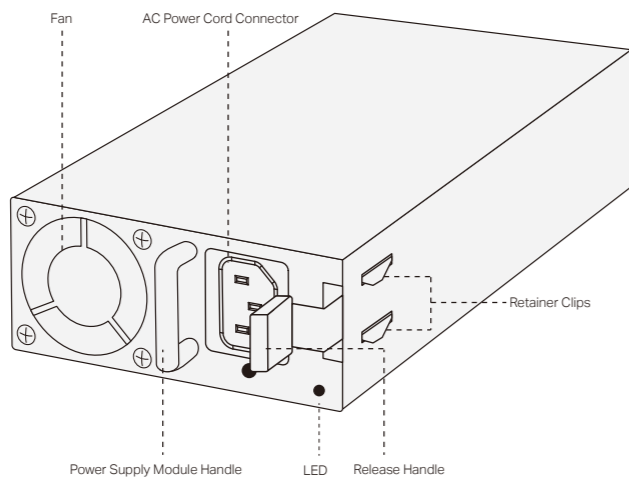
Installation Guide

Power Supply Module

7100001421 REV1.2.0 © 2025 TP-Link

1 Appearance

PSM500-AC/PSM900-AC is an AC-input power supply module. It can convert the input voltage to 53.5V with a maximum output power of 500W/900W.



2 LED and Feature Explanation

LED Status	Description
Green On	The module is on and either supplying power to the device or in backup mode.
Green Flashing	The module is on but not supplying power to the device.
Yellow Flashing	The module is supplying power, but abnormal alarm events (high temperature/high power/high current/abnormal fan) occur.
Yellow On	The module may not be supplying power due to abnormal events or serious faults in the circuit (e.g., over/undervoltage, overcurrent, short circuit, or low input voltage).
Off	The power supply module is off or faulty.

Feature	Description
Protection Function	Includes overvoltage, undervoltage, short circuit, overcurrent, and overheating protection.
Redundant Backup	Supports dual power modules combining in parallel to implement 1+1 redundancy for uninterrupted power supply.
Hot Swappable	In a 1+1 redundant power system, the module can be inserted or removed without shutting down the switch.

When the power supply module reverts to the protected state, its recovery features are as follows:

Protection Function	Protective Action	Recovery Characteristics
Output overvoltage & undervoltage protection	Power supply module locked and supply cut	The power supply module can not recover automatically.
Output short circuit protection	Power supply module locked and supply cut	The power supply module reverts to the auto-retry mode. It can recover automatically when the fault is cleared.
Output overcurrent protection	Power supply module locked and supply cut	The power supply module reverts to the auto-retry mode. It can recover automatically when the fault is cleared.

Note:

When the power supply module is locked or auto-retries continually, you can try the following steps to restore the device:

1. Disconnect the power cord from the external power supply system.
2. Disconnect the power cord from the power supply module.
3. Remove the power supply module from the device.
4. Reinsert the power supply module.
5. Connect the power cord to the power supply module again.
6. Reconnect the other end of the power cord to the external supply system.

3 Specifications

	PSM500-AC	PSM900-AC
Power Input 電源輸入	100V~240V~ 50/60Hz 8A	100-120V (inclusive) ~ 50/60Hz 12A (for locations using low For voltage, see specifications for specific countries/regions or refer to the user guide) 120 (exclusive)-240V ~ 50/60Hz 10A (for other locations) 100-120V (含) ~ 50/60Hz 12A (對於使用低壓的地區, 請參閱特定國家/地區的規格或參閱使用者指南) 120 (不含) ~240V ~ 50/60Hz 10A (其他地區)
Output Voltage 輸出電壓	53.5VDC	53.5VDC
Output Current 輸出電流	9.35A (Maximum) 9.35A (最大值)	16.5A (Maximum) 16.5A (最大值)
Output Power 輸出功率	500W (Maximum) 500 W (最大值)	900W (Maximum) 900 W (最大值)
Altitude 高度	Sea level to 3000 m 海平面至 3000 公尺	
Temperature 溫度	Operation: 0°C to 45°C (32 to 113°F) 操作: 0°C 至 45°C (32°F 至 113°F)	
	Storage: -40°C to 70°C (-40°F to 158°F) 儲存: -40°C 至 70°C	
Humidity 濕度	Operation: 10% to 90% RH Non-condensing 操作: 10% 至 90% RH 不凝結	
	Storage: 5% to 90% RH Non-condensing 儲存: 5% 至 90% RH 不凝結	

Remove the Power Supply Module

If you need to remove the power supply module, please follow these steps:

1. Turn off the power at its source.
2. Wear an ESD-preventive wrist strap and make sure that it has good skin contact and is well grounded.
3. Remove the power cord from the external power supply system and the power module.
4. With one hand, press the Release Handle on the right side of the power supply module inward. With the other hand, slide the power supply out.

Caution:

- When installing or removing a power supply module, pay attention to the following:
 - Make sure that the power supply module is set correctly when installing.
 - Do not force the power supply module into the slot. If resistance is encountered or positions of the power supply module appear larger during installation, you must first remove the module and then reinstall the module.
 - If the Retainer Clips cannot spring up and the power module is blocked, the module may be improperly installed. Please check carefully.
 - To better protect the power supply module during removal, it is recommended that you package it in an antistatic bag.

FCC FCC compliance information statement

Product Name: AC Power Supply Module
Model Number: PSM500-AC/PSM900-AC
TP-Link Systems Inc.
Address: 10 Mauchly, Irvine, CA 92618
Website: <https://www.tp-link.com/us/>
Tel: +1 626 333 0234
Fax: +1 909 527 6904
E-mail: sales.usa@tp-link.com

This equipment has been tested and found to comply with the limits for a Class A digital device, pursuant to part 15 of the FCC Rules. These limits are designed to provide reasonable protection against harmful interference when the equipment is operated in a commercial environment. This equipment generates, uses, and can radiate radio frequency energy and, if not installed and used in accordance with the instruction manual, may cause harmful interference to radio communications. Operation of this equipment in a residential area is likely to cause harmful interference in which case the user will be required to correct the interference at his own expense. This device complies with part 15 of the FCC Rules. Operation is subject to the following two conditions:
1) This device may not cause harmful interference.
2) This device must accept any interference received, including interference that may cause undesired operation. Any changes or modifications not expressly approved by the party responsible for compliance could void the user's authority to operate the equipment.

We, TP-Link Systems Inc., has determined that the equipment shown as above has been shown to comply with the applicable technical standards, FCC part 15. There is no unauthorized change is made in the equipment and the equipment is properly maintained and operated.

Issue Date: 2025/6/30

EU Declaration of Conformity

TP-Link hereby declares that the power supply module is in compliance with the essential requirements and other relevant provisions of directives 2014/30/EU, 2014/35/EU, 2011/65/EU and (EU)2015/863. The original EU declaration of conformity may be found at <https://www.tp-link.com/en/support/ce/>.

UK Declaration of Conformity

TP-Link hereby declares that the power supply module is in compliance with the essential requirements and other relevant provisions of the Electromagnetic Compatibility Regulations 2016 and Electrical Equipment (Safety) Regulations 2016. The original UK declaration of conformity may be found at <https://www.tp-link.com/support/ukca/>.

Safety Information

- Keep the device away from water, fire, humidity or hot environments.
- Do not attempt to disassemble, repair, or modify the device. If you need service, please contact us.
- Avoid using this product during an electrical storm. There may be a remote risk of electric shock from lightning.
- Do not point or stare directly into the beam or into the optical port of the transceiver when it is operating, as this can injure your eyesight.



Продукт сертифіковано згідно з правилами системи УкрСЕПРО на відповідність вимогам нормативних документів та вимогам, що передбачені чинними законодавчими актами України.



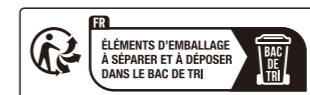
Industry Canada Statement

CAN ICES-003 (A)/NMB-003(A)

この装置は、クラスA情報技術装置です。この装置を家庭環境で使用すると電波妨害を引き起こすことがあります。この場合には使用者が適切な対策を講ずることがあります。 VCCI-A



This is a class A product. In a domestic environment, this product may cause radio interference, in which case the user may be required to take adequate measures.



BSMI Notice

- 安全諮詢及注意事項
- 請使用原裝電源供應器或只能按照本產品注明的電源類型使用本產品。
 - 請在本產品之前請先拔掉電源線。請勿使用液體、噴霧清潔劑或濕布進行清潔。
 - 注意防燙，請勿將水或其他液體潑灑到本產品上。
 - 插槽與開口供通風使用，以確保本產品的操作可靠並防止過熱，請勿堵塞或覆蓋開口。
 - 請勿將本產品置於靠近熱源的地方。除非有正常的通風，否則不可放在密閉位置中。
 - 請不要私自拆開機殼或自行維修，如產品有故障請與原廠或代理商聯繫。
- 警告: 為避免電磁干擾, 本產品不應安裝或使用於住宅環境。

限用物質含有情況標示聲明書

RoHS限用物質聲明請查看: <https://www.tp-link.com/tw/support> (型號/技術支援)

Explanation of the symbols on the product label

產品標籤上符號的解釋

Note: The product label can be found at the bottom of the product.

Symbols may vary from products.

注意: 產品標籤可在產品底部找到。符號可能因產品而異。

Symbol 符號	Explanation 說明
	Class II equipment 二級設備
	Class II equipment with functional earthing 具有接地功能的二級設備
	Alternating current 交流電
	Direct current DC 電壓
	Polarity of DC power connector 輸出端點的極性
	For indoor use only 僅供室內使用
	Dangerous voltage 危險電壓
	Caution, risk of electric shock 請注意, 有觸電的危險
	Energy efficiency marking 能源效率標誌
	Protective earthing 保護接地
	Earth 接地
	Frame or chassis 框架或外殼
	Functional earthing 功能接地
	Caution, hot surface 請注意, 表面過熱
	Caution 警告
	Operator's manual 操作手冊
	Stand-by 待機
	"ON"/"OFF" (push-push) “開啟” / “關閉” (按壓式)
	Fuse 保險絲
	Fuse is used in neutral N 保險絲用於中性線 N
	RECYCLING 回收
	This product bears the selective sorting symbol for Waste electrical and electronic equipment (WEEE). This means that this product must be handled pursuant to European directive 2012/19/EU in order to be recycled or dismantled to minimize its impact on the environment.
	Users have the choice to give their product to a competent recycling organization or to the retailer when they buy new electrical or electronic equipment.
	這個產品帶有歐盟指令 2012/19/EU 中關於廢棄電氣電子設備 (WEEE) 的選擇性分類標誌。這意味著, 該產品必須按照該指令處理, 以便進行回收或拆解, 從而最大限度地減少對環境的影響。 用戶可以選擇將產品交給有資格的回收機構, 或在購買新的電器或電子設備時將其交給零售店進行回收。
	Caution, avoid listening at high volume levels for long periods 請小心, 避免長時間以高音量收聽。
	Disconnection, all power plugs 斷線, 所有電源插頭
	Switch of mini-gap construction 迷你間隙結構開關
	Switch of micro-gap construction (for US version) Switch of micro-gap / micro-disconnection construction (for other versions except US) 小間隙結構開關 (US 版本) 小間隙 / 小斷開結構的開關 (非 US 版)
	Switch without contact gap (Semiconductor switching device) 無接觸開關的開關 (半導體開關設備)

4 Installation

Safety Information

To prevent damage or injury, only trained personnel may operate the product.

Please observe the following:

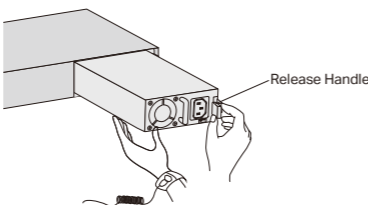
- When installing or removing a power supply module, please wear an ESD-preventive wrist strap, and make sure that it has good skin contact and is well grounded.
- Before installing a power supply module, ensure the external power supply system voltage matches the module's rated input, and the module's output voltage matches the device requirements to avoid damage.
- Do not touch any exposed wires or terminals to avoid bodily injury.
- Do not place the power module in a humid place or allow the liquid into the power supply module.
- If there is a failure inside the module, please contact service personnel instead of opening the housing of the module.
- The equipment must not be used in locations where children are likely to be present.
- Plug the product into a wall outlet with an earthing connection through the power supply cord.
- The socket-outlet must be installed near the equipment and shall be easily accessible.



For technical support, replacement services, user guides, and more, please visit <https://support.omadanetworks.com/>, or simply scan the QR code.

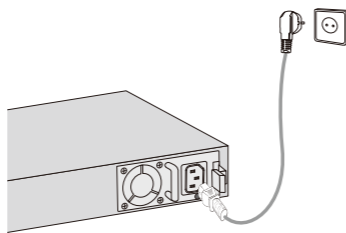


Install the Power Supply Module



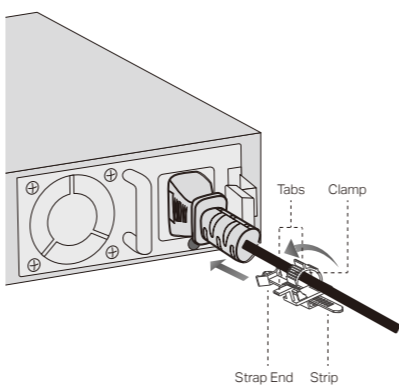
1. Wear an ESD-preventive wrist strap and make sure that it has good skin contact and is well grounded.
2. With one hand, press the Release Handle on the right side of the power supply module inward. With the other hand, support the bottom of the module and gently slide it into the slot along the guide rail.
3. Release the Release Handle to fix the power supply module in place.

Connect the Power Cord and Connect to the Ground



1. Plug the female connector of the provided power cord into the power socket of the device and the male connector into a power outlet. Meanwhile, keep it connected to the ground via the power supply.
2. Confirm that the power supply LED is green.

(Optional) Install the Locking Latch



The power supply module is designed with a locking latch slot.

If you need to secure the power cable with the included locking latch, please follow these steps:

1. Wear an ESD-preventive wrist strap and make sure that it has good skin contact and is well grounded.
2. Remove the instruction label on the locking latch slot.
3. Secure the strap in the power cord retainer by inserting it into the slot near the power supply module to hold the clamp in place.
4. Slide the clamp around the AC power cord and press the tabs on the clamp towards each other to secure the AC power cord.
5. Adjust the distance of the locking latch using clips to ensure the cable is securely fastened.